

#BONGIOOFFICIAL



_COL
LECT
IONS
2022

bongio[®]
MADE IN ITALY SINCE 1936

#BONGIOOFFICIAL

“

L'AUTENTICA CREATIVITÀ
NEL DESIGN
UNISCE ECCELLENZA FUNZIONALE,
INNOVAZIONE TECNOLOGICA
E CURA ARTIGIANALE DEL DETTAGLIO.
UN PRODOTTO BONGIO
È BELLO PERCHÉ INNOVATIVO
E INNOVATIVO PERCHÉ BELLO.

Real design creativity brings together functional excellence,
technological innovation and an artisanal flair for detail.
A Bongio product is appealing because it is innovative
and innovative because it is appealing.

”

Antonio Bongio

#COLLECTIONS2022

bongio[®]
MADE IN ITALY SINCE 1936

ABOUT US

Dinamica della creatività
Creativity dynamics
pag. 14

La materia delle idee
The substance of ideas
pag. 20

Vocazione internazionale
International vocation
pag. 28

Letture catalogo
How to read our catalogue
pag. 36

NEW
Flessibili disponibili
Available flexible hoses
pag. 42

TECHNICAL INFO

Espositori showroom
Showroom display
pag. 1168

Pulizia e manutenzione delle superfici / Cleaning and maintenance services for surfaces
pag. 1178




Condizioni generali di vendita
General sale conditions
pag. 1180

INOX 316 pag. 47



Disponibili crediti Green Buildings
Green Buildings credits available

-  **Time2020 Acquaviva (76)**
pag. 60
-  **Time2020 (70)**
pag. 60
-  **Time2020 T (71)**
Time2020 Lever (72)
pag. 80
-  **Time2020 Basic (73)**
pag. 98
-  **Time2020 Wood (69)**
pag. 116
-  **Time2020 Kitchen**
pag. 132
-  **Time2020 Wellness**
pag. 136
-  **Time2020 Accessories**
pag. 148
-  **Time2020 Complements**
pag. 152



ICON pag. 159

-  **Acquaviva (56)**
pag. 160
-  **Mini One (42)**
pag. 174
-  **Moon (39)**
pag. 184

STYLE pag. 191







- NEW**
Linea by AC (82)
pag. 192
-  **Bowling (38)**
pag. 240
-  **Acquacarica (63)**
pag. 274
-  **Aqua / Aqua Marble (40)**
pag. 310
-  **Domino Q (43)**
pag. 344
-  **Stelth (01)**
pag. 370
-  **T Cross (30)**
T Lever (31)
pag. 390
-  **Alcor (42)**
pag. 420

PROJECT pag. 451


- NEW**
Gio2 (80)
pag. 452
-  **T Mix 18 (08)**
pag. 478
-  **O'Clock (14)**
pag. 496

-  **T.ube (64)**
pag. 518
-  **On (68)**
pag. 540
-  **Line (67)**
pag. 570
-  **T Mix / T Leva Laterale (32)**
T Square (52)
pag. 596
-  **Reef (53)**
pag. 622
-  **PI7 (07)**
pag. 636

CLASSIC pag. 651

-  **Royale80 (24)**
Impero/ Impero Metal (06/65/66)
pag. 652
-  **Fleur Blanc (11)**
Fleur Noir (12)
pag. 680
-  **Cristallo (04)**
Rivoli (05)
pag. 704
-  **Radiant (02)**
pag. 728
-  **Axel (15)**
pag. 748
-  **Oxford Lux (19)**
Mille Nuits (22)
Capri (17)
pag. 772

-  **La Tosca (09)**
pag. 794

-  **Turandot (10)**
pag. 814

ACCESSORIES pag. 827

-  **Time2020**
pag. 834
-  **Hotellerie - On**
pag. 840
-  **Stelth**
pag. 848
-  **T Collection**
pag. 852
-  **Domino Q - Line**
pag. 860
-  **Impero**
pag. 864
-  **Fleur**
pag. 872
-  **Radiant**
pag. 880
-  **Axel**
pag. 888


ELECTRONIC AND PUBLIC UTILITIES pag. 895

-  **Elettronici Electronics**

KITCHEN pag. 907

-  **Cucina Kitchen**

WELLNESS pag. 937

-  **Soffioni Shower heads**
- Colonne doccia Shower columns**
- Saliscendi, set doccia duplex, prese d'acqua**
Sliding rail, duplex showerset, water supply
- Set doccia bidet e idroscopino**
Shattaf and hydrobrushed toilet set
- Miscelatori, deviatori e progetti doccia**
Mixer, diverter and shower project

SPOUTS pag. 1097

- Bocche soffitto, parete e bordo piano**
Ceiling, wall and deck spouts

TOILET PLATES pag. 1119

- Placche wc e passo rapido**
Toilet flush control plate and rapid flow cock

COMPLEMENTS pag. 1125

- Complementi, sifoni e pilette**
Complements, siphons and waste

ARTICOLO ARTICLE	PAGINA PAGE	ARTICOLO ARTICLE	PAGINA PAGE	ARTICOLO ARTICLE	PAGINA PAGE	ARTICOLO ARTICLE	PAGINA PAGE	ARTICOLO ARTICLE	PAGINA PAGE	ARTICOLO ARTICLE	PAGINA PAGE
30	1132	750 NEW	1142	830/EPR	1045	887/PR	1004	914	1076	1006/18	1109
37	1132	776	1041	830/M1PR	1046	888/33Q	985	914/ID	1076	01007/40-60	849
38	1132	787/CN	976	831	1059	888/33R	985	915/N	1072	1008/19	308-1105
41	1132	787/CP	974	834	1047	888/44QPR	983	916/PR	1142	01009	849
50	1122	787/CT	977	834/B1	1050	888/44RPR	984	920	1052	1010	369-1113
53 DA 1"	1120	787/CW	975	834/EPR	1049	888/4QPC	982	923/PR	1057	01015	477
53 DA 3/4"	1120	788/ON	979	834/M1PR	1050	888/4QPN	983	925	1061	1017/19	237-272-1106
53/Q	1120	788/OP	978	835/3G	1058	888/55	981	926/3	1055	1018	236-1115
61	1129	788/OT	979	836/N	1053	888/5HPR	984	926/PR	1057	1018/OH	237-1115
64	1126	788/OW	978	837	1061	888/64	982	930/15-20-25	1133	01019	238-1116
65	1129	788/20PR	984	844	1044	888/74PR	981	931	1073	01519	386
66	1129	788/BR	980	845	1051	888/C4QPR	971	932/15	1135	01519/3	386
67	1130	788/CN	976	849/N	1054	888/C4RPR	971	935/15-20-25	1133	01521	382
67/QU	1130	788/CP	974	850	1044	888/C5	968	936/3	1055	01522	383
68	1126	788/CT	977	850/EPR	1046	888/C50	970	936/PR	1056	01524	384
69	1126	788/CW	975	851	1060	888/C53	969	940/15	1134	01524/RP	385
79	1127	788/SCAT	980	854	1048	888/C74	969	941/15	1134	01526/D	387
79/PR	1127	788/SEL	980	854/EPR	1049	888/C8	967	942	1056	01529	385
79/Q	1128	790/PR	994	866/Q	1016	888/C88	968	942/15-20	1134	01530/D	387
79/SP	1128	793	1011	866/R	1015	888/CL50	970	942/PR	1059	01532	382
79/ST	1127	795/PR	1011	867/IQOT	1013	888TTC813	967	950	1052	01531/D	388
82	1135	796/QPR	1010	867/IROT	1013	889/01	991	957	1167	01533	383
82/CS	1135	796/RPR	1010	867/NQ	1014	889/2PR	992	958	1167	01534/D	388
83	1136	801/20PR	1009	867/NR	1013	889/CL	987	959	1167	01538/16-22	384
83/CS	1136	801/30PR	1010	867/QU	1015	889/LL	990	970	308	01881	389-1005
84	1167	802/30PR	1007	867/RO	1015	889/R1	992	971	1060	02001	881
93/ASPR	1141	802/35PR	1008	870	1043	889/SLPR	991	972	1052	02004	881
94/ASPR	1140	802/40PR	1008	870/EPR	1044	889TTLU13	990	976/3 3 GETTI	1054	02007/50	881
96/ASPR	1141	804/15PR	1009	871	1059	890/OT	995	976/PR	1056	02008	882
98/ASPR	1141	804/30PR	1009	874	1047	890/PR	995	00977/EL	901-1102	02009	882
99/ASPR	1140	806/PR	1008	874/EPR	1049	891	996-1111	977/00	235-1103	02012	883
100/PRPR	1136	809/QPR	1030	875/3GPR	1058	893/Q	997	977/M	1102	02013	884
102/PRP3	1137	809/RPR	1030	876/N	1053	893/R	997	977/R	1103	02014	882
102/PRPR	1137	810/Q	1031	877+38030/Q	236-261-1099	894	1064	982/LV	1115	02015	883
105/CA49PR	1138	810/R	1031	877+38030/R	235-260-1098	896/PR	1064	983	448-1114	02018	883
105/CAPR	1138	811/OQLU	1033	878	1051	897	1063	985	1113	02024	884
105/TC49PR	1138	811/ORLU	1032	879	1001	898	1063	985/70-90	307-343-448-1104	02498	735
105/TCPR	1137	811/EQPR	1034	879TT10	1001	899	1063	986/16-22	343-447-1106	02500	734
107/PR	1139	811/ERPR	1033	880	1003	900	1070	988	1110	02501	732
108/PR	1139	811CRORMEPR	1032	880/PR	1003	900/R	1069	989/16-22	308-1106	02503	732
109/PR	1139	820	1043	881	1004	901/Q	1071	990/16-22	1107	02521	733
111/PR	1140	820/EPR	1046	882	1001	901/R	1071	992/16-22	368-1107	02522	733
690	995	821	1060	882TT10	1002	902	1070	994/16-22	1107	02523	744
691/Q	996	824	1048	883/25Q7PR	1002	903/IDPR	1072	995/16-22	389-1108	02524	736
691/R	996	826/N	1053	883/25R7PR	1002	903/PR	1072	997/16-22	1108	02525	735
720	1042	827	1061	883/40Q7PR	999	904	1068	01001	849	02525/5	736
730	1041	830	1043	883/40R7PR	1000	904/ID	1069	1004/23	1109	02526	741
748/PR	1004	830/B1	1045	886/PR	1003	910	1075	01006/18VA	1109	02527	741

ARTICOLO ARTICLE	PAGINA PAGE	ARTICOLO ARTICLE	PAGINA PAGE	ARTICOLO ARTICLE	PAGINA PAGE	ARTICOLO ARTICLE	PAGINA PAGE	ARTICOLO ARTICLE	PAGINA PAGE	ARTICOLO ARTICLE	PAGINA PAGE
02528	743	04549/3-05549/3	719	07519/PR	646	09501	802	9696/AS3	1145	10526/D	823
02530/D	742	04555/D-05555/D	726	07520/PR	641	09501/AE	758	9696/AS71	1145	10529	821
02531/D	742	04556-05556	717	07521/LC	905	09503	802	9697/AS	1144	10530/D	824
02535/D	743	04916-05916	727	07521/PR	640	09503/AE	759	9698/AS	1143	10537/D	825
02536/D	745	06001	865	07522/PR	641	09521	803	9700	1148	10538	819
02537/D	744	06004	865	07523/PR	647	09521/AE	759	9702PBOX	1162	10580	935
02538	734	06007/50	865	07524/PR	644	09522	804	9712	1148	10860/PR	1105
02542/2	740	06008	866	07524/RPPR	645	09522/AE	760	9728	1155	11001	873
02542/3	739	06010	866	07526/DPR	648	09523	811	9728/3	1155	11004	873
02542/4	739	06012	867	07529/PR	646	09525	805	9729	1153	11007/50	873
02544	737	06013	868	07530/DPR	648	09525/5	806	9730/2	1152	11008	874
02547/0D	746	06014	866	07531/D	649	09526	808	9730/3	1152	11010	874
02549	738	06015	867	07532/PR	640	09527	809	9730/4	1152	11012	875
02549/3	738	06018	867	07538/16-22PR	642	09528	809	9737	1148	11013	876
02555/0D	745	06024	868	07538/1A-2APR	642	09530/D	810	9743	1149	11014	874
02556	737	06498-65498-66498	667	07570/PR	934	09531/D	811	9744	1149	11015	875
02916	746	06500-65500-66500	667	07580/PR	932	09532	803	9744/AS	1146	11018	875
04042	845	06501-65501-66501	664	07581/PR	643	09532/AE	760	9761	1149	11024	876
04042/LM	846	06503-65503-66503	664	07582/PR	644	09536/D	812	9762	1161	11498-12498	691
04101	844	06521-65521-66521	665	07583/PR	643	09537/D	812	9763	1150	11500-12500	691
04102	845-870-878-886-893	06522-65522-66522	665	08480	931	09538	804	9763/3	1150	11501-12501	688
04103	845-870-878-886-893	06523-65523-66523	676	08510/PR	490	09538/AE	761	9764	1151	11503-12503	688
04104	844-869-877-885-892	06524-65524-66524	669	08519/3PR	492	09544	807	9764/3	1154	11521-12521	689
04498-05498	715	06525-65525-66525	668	08519/PR	491	09547/D	813	9766	1153	11522-12522	690
04500-05500	715	06525/5-65525/5-66525/5	668	08520/PR	487	09549	807	9766/3	1153	11523-12523	701
04501-05501	712	06526-65526-66526	673	08521/PR	486	09555/0D	813	9767	1158	11524-12524	693
04503-05503	712	06527-65527-66527	674	08522/PR	488	9646/AS	1144	09767/OX	1159	11525-12525	692
04521-05521	713	06528-65528-66528	676	08523/PR	492	9651	1150	9767/AQ	1159	11525/5-12525/5	692
04522-05522	713	06530/D-65530/D-66530/D	674	08524/PR	489	9653	1151	9767/AT	1157	11526-12526	697
04523-05523	725	06531/D-65531/D-66531/D	675	08524/RPPR	490	09653/3	1151	9767/T	1158	11527-12527	698
04524-05524	717	06532-65532-66532	665	08526/DPR	493	9680	1160	9767/TL	1158	11528-12528	698
04525-05525	716	06535/D-65535/D-66535/D	675	08529/PR	491	9680/AQ	1159	9768/AQ	1156	11530/D-12530/D	699
04525/5-05525/5	716	06536/D-65536/D-66536/D	677	08530/DPR	494	9680/OX	1160	9768/BW	1157	11531/D-12531/D	700
04526-05526	721	06537/D-65537/D-66537/D	677	08531/DPR	493	9680/TL	1160	9768/DQ	1157	11532-12532	689
04527-05527	722	06538-65538-66538	666	08532/PR	486	9686	1147	9772	1164	11535/D-12535/D	700
04528-05528	722	06542/2-65542/2-66542/2	672	08533/PR	487	9687/AS	1147	9774	1163	11536/D-12536/D	702
04530/D-05530/D	723	06542/3-65542/3-66542/3	672	08534/DPR	494	9688	1147	9775	1163	11537/D-12537/D	701
04531/D-05531/D	724	06542/4-65542/4-66542/4	671	08538/PR	489	9689/AS	1146	9777	1162	11538-12538	690
04535/D-05535/D	724	06544-65544-66544	660	08539/PR	488	9690	1155	9778	1164	11542/2-12542/2	696
04536/D-05536/D	726	06547CR00-65547CR00-66547CR00	678	08680	929	9690/LI	1156	9778/BW	1163	11542/3-12542/3	696
04537/D-05537/D	725	06549-65549-66549	660	9489/2	1166	9690/LV	1156	9787	1154	11542/4-12542/4	695
04538-05538	714	06549/3-65549/3-66549/3	671	9489/3	1166	9691/AS	1146	9862/PG	1154	11544-12544	694
04542/2-05542/2	720	06555CR00-65555CR00-66555CR00	678	9491/2	1165	9693/AS	1144	10519	821	11547-12547	703
04542/3-05542/3	720	06556-65556-66556	669	9494	1164	9695	1161	10519/3	822	11549-12549	694
04542/4-05542/4	719	06916-66916-66916	679	9495	1165	9695/AS	1143	10521	818	11549/3-12549/3	695
04544-05544	718	07481/PR	930	9496	1165	9696	1165	10522	818	11555-12555	702
04547/D-05547/D	727	07510/PR	645	09498	805	9696/3	1166	10523	823	11556-12556	693
04549-05549	718	07519/3PR	647	09500	805	9696/AS	1145	10524	820	11916-12916	703

ARTICOLO ARTICLE	PAGINA PAGE	ARTICOLO ARTICLE	PAGINA PAGE	ARTICOLO ARTICLE	PAGINA PAGE	ARTICOLO ARTICLE	PAGINA PAGE	ARTICOLO ARTICLE	PAGINA PAGE	ARTICOLO ARTICLE	PAGINA PAGE
14438/22PR	510	15549	764	30011	843-858-868-876-884-891	30570 - 31570 - 42570	934	32557/QDPR	1026	40332/OR	165-328
14519/3PR	513	15549/3	764	30013	855	30580-31580	934	32557/RDPR	1025	40498	332
14519/PR	513	15554	673-697-721-740-765-787-808-1092	30017	843-857	30698/DA	842-856	32569/3PR-52569/3PR	617	40498/R	331
14520/PR	509	15555/0D	769-1029	30021	844-858-869-877-885-892	30915	418	32569/PR-52569/PR	616	40499/R	330
14521/PR	508	15570	935	30022	843-856	30916	419	32580/PR	932	40500	331
14522/PR	510	15580	935	30023	855	32080	926	32581/PR	608	40500/R	330
14523/PR	514	15891	1110	30025	857	32131	146-1019	32582/PR	609	40501	320
14524/PR	511	15892	1110	30026	857	32280/PR	933	32583/PR	609	40501/R	320
14524/RPPR	512	15905	1111	30027	842-856	32480	931	32634/DPR	621	40503	321
14526/DPR	514	15906	1111	30302-31302	398	32481/PR	930	32680	932	40503/R	321
14529/PR	512	17498-19498-22498	783	30303-31303	399	32482/PR	933	32980/PR	926	40521/R	326
14530/DPR	515	17500-19500-22500	783	30319-31319	413	32510/PR-52510/PR	612	32915	565-1073	40522/R	326
14531/DPR	516	17501-19501-22501	780	30319/3-31319/3	413	32519/3PR-52519/3PR	615	32916	569-1074	40523	341
14532/PR	508	17503-19503-22503	780	30321-31321	403	32519/PR-52519/PR	615	38500	261	40523/R	341
14533/PR	509	17519-19519-22519	785	30322-31322	405	32520/PR-52520/PR	607	38501	256	40525/5	333
14538/22PR	511	17521-19521-22521	781	30338/16-22-31338/16-22	406	32521/LC	904	38502	256	40525/R	332-1094
14580/PR	933	17522-19522-22522	781	30338/1A-2A-31338/1A-2A	407	32521/PR-52521/PR	606	38510	263	40530/D	338
14876/PR	1057	17523-19523-22523	790	30324-31324	410	32521/TEPR	902	38521	257	40530/DR	337
14846	1058	17524-19524-221752	785	30324/RP-31324/RP	410	32522/PR-52522/PR	608	38522	258	40531/D	329
14889	517-993	17525-19525-22525	784	30329-31329	412	32523/PR-52523/PR	618	38523	269	40531/DR	329
14889/SL	517-993	17525/5-19525/5-22525/5	784	30332-31332	404	32524/PR-52524/PR	611	38524	262	40536/D	340
15001	889	17526-19526-22526	787	30400-31400	408	32524/RPPR-52524/RPPR	612	38525	264	40536/DR	340
15004	889	17527-19527-22527	788	30401-31401	398	32524/TEPR	903	38525/3	265	40537/D	342
15007/60	889	17528-19528-22528	790	30403-31403	399	32525/02PR-52525/02PR	613	38526/D	267	40537/DR	342
15008	890	17530/D-19530/D-22530/D	788	30421-31421	402	32525/03PR-52525/03PR	614-1093	38530/D	268	40538/16-22	323
15011	890	17531/D-19531/D-22531/D	789	30422-31422	403	32526/DPR-52526/DPR	619	38531/D	269	40538/16-22/R	322
15013	891	17535/D-19535/D-22535/D	789	30425-31425	409	32529/PR-52529/PR	614	38532	257	40538/1A-2A	325
15014	890	17536/D-19536/D-22536/D	791	30425/5-31425/5	409	32530/DPR-52530/ODPR	620	38534/D	267	40538/1A-2A/R	324
15015	891	17537/D-19537/D-22537/D	791	30430/D-31430/D	416	32531/DPR	619	38537/D	270	40554/R	228-333-1092
15498	762	17538-19538-22538	782	30431/D-31431/D	416	32532/PR-52532/PR	606	38538	260	41519	181
15500	761	17544-19544-22544	786	30438/16-22-31438/16-22	400	32533/PR	607	38539	259	41519/03	182
15501	756	17547/D-19547/D-22547/D	792	30438/1A-2A-31438/1A-2A	401	32537/ED	1024	38540	259	41521	178
15503	756	17549-19549-22549	786	30481-31481	402	32538/22PR-52538/22PR	610	38541	258	41524	180
15521	757	17555/D-19555/D-22555/D	792	30498-31498	408	32538/2APR-52538/2APR	611	38542/2	265	41529	181
15522	757	17570-19570-22570	782	30499-31499	405	32539/PR	610	38542/3	266	41532/15	178
15523	768	21025	846-869-877-885-892	30501/OHEL	898	32542/2	334-1085	38542/4	266	41532/20	179
15525	762	24501/ST-RB	662	30501/EL	898	32542/3	335-1086	38544	262	41532/25	179
15525/5	763	24503/ST-RB	662	30510-31510	411	32542/4	336-1087	38556	263	41533	180
15526	765	24530/ST-RB	663	30523-31523	417	32544/PR-52544/PR	613	38556/3	264	42302	428
15527	766	24538/ST-RB	663	30533-31533	404	32547/LU	1023	38915	270	42303	429
15528	767	30000	858	30534/D-31534/D	415	32549/PR-52549	616	38916	271	42319	440
15530/D	766	30001	853	30536/D-31536/D	417	32550/AD	621	39521	188	42319/3	441
15531/D	767	30003	853	30537/D-31537/D	418	32551/AD	617	39522	188	42321	432
15536/D	769-1028	30007/30	854	30544-31544	414	32551/PD	618	40321	327	42322	433
15537/D	768-1028	30007/40	854	30549-31549	414	32552/OEPR	1080	40321/OR	327	42324	437
15538	758	30007/50	854	30549/3	415	32553/PR	1080	40322	329	42324/RP	438
15544	763	30007/60	855	30556-31556	411	32555/QNPR	1027	40322/OR	165-329	42329	440
15547/D	770-1029	30009/2	853	30556/3-31556/3	412	32555/RNPR	1026	40332	328	42332	432

ARTICOLO ARTICLE	PAGINA PAGE	ARTICOLO ARTICLE	PAGINA PAGE	ARTICOLO ARTICLE	PAGINA PAGE	ARTICOLO ARTICLE	PAGINA PAGE	ARTICOLO ARTICLE	PAGINA PAGE	ARTICOLO ARTICLE	PAGINA PAGE
42338/15-22	434	43532/DA	353	53524/PR	629	63524	294	67521/PR	582	68534/DPR	568
42338/1A-2A	435	43534/D	367	53524/RPPR	629	63524/RP	295	67522/PR	583	68538/22PR	554
42400	435	43538/22	355	53526/DPR	632	63525	296	67523/PR	591-1079	68538/2APR	555
42401	428	43542/02DA	365-1089	53529/PR	630	63525/3	296	67524/PR	585-1091	68539/22PR	554
42403	429	43542/03DA	366-1090	53530/DPR	633	63526/D	304	67524/RPPR	586	68544/PR	558-1081
42421	431	43542/04DA	366-1090	53531/DPR	633	63529	298	67525/2PR	589	68546/OD	1024
42422	431	43542/2	1088	53532/PR	626	63530/D	305	67525/3PR	589	68549/PR	562
42425	436	43542/3	1088	53533/PR	627	63531/D	306	67526/DPR	592	68550/ADPR	567
42425/5	437	43542/4	1089	53534/ODPR	634	63532	286	67529/PR	587	68551/ADPR	564
42430/D	443	43543/PR	1081	53538/22PR	628	63556	297	67530/DPR	592	68552/ADPR	565
42431/D	444	43544	361	53538/2APR	628	63556/3	297	67531/DPR	594	68556/3PR	560
42438/16-22	430	43547/LU	1025	55539/18	169	63538	290	67533/PR	583	68556CRPR	560
42438/1A-2A	430	43549	364	55539/22	169	63540	285	67534/DPR	595	68569/3PR	564-1083
42498	436	43557/EDPR	1027	56539/18-22	165	63544	301	67538/22PR	584	68569/PR	563-1082
42499	434	43569	364	56539/18PA	167	63549	302	67538/2APR	585	68570	553-926
42510	438	43569/3	365	56539/22PA	167	63569	302	67539/PR	584	68590	925
42523	445	44001	841	56539/CA	1161	63569/3	303	67544/PR	586-1083	68738/22PR	555
42533	433	44007/30	841	56539TT/18	172	63570	928	67549/PR	590	69131/D	128-1019
42534/D	443	44007/60	842	56539TT/22	172	63915	304	67552/ADPR	593	69502	120
42536/D	444	44009	841	60502	1114	63916	306	67569/3PR	591-1084	69519	125
42537/D	445	44033	1121	63319	300	64439/PR	529	67569/PR	590-1084	69519/3	125
42544	441	44034	1121	63319/3	301	64510/PR	532	67915	593-1074	69520	126
42549	443	44035	1122	63321	286	64519/3PR	535	67916	594-1075	69521	119
42549/3	442	46132TT10	1022	63321/VE	288	64519/PR	534	68062	1131	69522	120
42556	439	46132/1	1021	63322	288	64521/PR	528	68063	1131	69524	123
42556/3	439	46438/DA	355	63322/VE	290	64522/PR	529	68113/PR	1142	69525	124
42800	447-1114	46519	363	63324	294	64523/PR	537	68439/OL	556	69525/3	124
42915	446	46519/3	363	63324/RP	295	64524/PR	531	68439/PR	556	69530/D	127
42916	446	46521/EL	900	63329	299	64524/RPPR	531	68501/H	552	69531/D	127
43001/DA	861	46524	360	63332	287	64525/2PR	533	68501/PR	552	69532	119
43007/30DA	861	46524/RP	361	63332/VE	289	64525/3PR	533	68503/PR	553	69534/D	128
43007/60DA	862	46532/EL	900	63333	289	64526/DPR	537	68510/PR	558	69535	126
43009/DA	861	46533	359	63334/D	305	64529/PR	534	68519/3PR	562	69539	121
43022/DA	850-862	46533/EL	902	63338	291	64530/DPR	538	68519/PR	561	69540	121
43025	850	46534/D	368	63339	292	64531/DPR	539	68521/LCPR	904	69977/RM	122-1101
43025/DA	863	46538/16-22	356	63339/OL	293	64532/PR	528	68521/PR	550	69977/RP	122-1101
43027/DA	850-862	46539/16-22	357	63380-63580	928	64538/2APR	530	68522/PR	551	70001	149-835
43438/DA	354	46539/16-22 MON AMOUR	358	63439	291	64538/PR	530	68523/PR	566-1079	70002	149-835
43501/BO	1113	46992/EL	901	63439/OL	292	64544/PR	532	68524/PR	557-1091	70005	151-837
43501/DA	352	47133	1020	63500	293	64549/PR	535	68524/RPPR	557	70007/40-60	149-835
43503/DA	352	47133/T	1021	63501	284	64569/3PR	536	68525/2PR	559	70010	151-838
43521/DA	353	52131/PR	1022	63503	284	64569/PR	536	68525/3PR	559	70022	150-836
43522/DA	354	53510/PR	630	63510	298	64580/PR	929	68526/DPR	566	70025	150-836
43524/RPTR	360	53519/3PR	631	63519	299	64634/DPR	539	68529/PR	561	70026	150-837
43524/TR	359	53519/PR	631	63519/3	300	67510/PR	587	68530/DPR	567	70027	150-836
43525/2	362	53521/PR	626	63521	285	67519/3PR	588	68531/DPR	569	70033	151-837-1121
43525/3	362-1093	53522/PR	627	63522	287	67519/PR	588	68532/PR	550	70067	79-96-115-131-156
43526/OD	367	53523/PR	632	63523	303	67520/PR	582	68533/PR	551	70071	78-95-114-130-155-1118

ARTICOLO ARTICLE	PAGINA PAGE	ARTICOLO ARTICLE	PAGINA PAGE	ARTICOLO ARTICLE	PAGINA PAGE	ARTICOLO ARTICLE	PAGINA PAGE
70080	134-925	70880	137-999	73500	105	80720/PR	467
70131/OD	76-1019	70883	137-999	73501	101	80721/PR	466
70131/RD-71131/RD-73131/RD-69131/RD	145-1020	70896 NEW	1038	73502	100	80722/PR	468
70180	135-924	70899	1038	73519	108	82001	234
70501/OHEL	899	70904	77-94-113-129-141-1067	73519/3	108	82501/H	212
70501/EL	899	70904/ID	78-95-114-130-142-1068	73520	109	82500	229
70502	65	70923	1041	73521	99	82501	212
70519	73	70924	1039	73522	100	82503	213
70519/3	73	70936	140	73524	106	82510	228
70520	74	70936 INOX	140	73525	107	82519	226
70521	62	70944	77-94-113-129-142-1067	73525/3	107	82519/03	227
70521/OM	62	70972 NEW	1037	73530/D	110	82520/15	215
70522	64	70976	143-1040	73531/D	111	82520/20	216
70522/OM	64	70977/M	69-1100	73532	99	82521	214
70524	71	70977/RM	70-1101	73534/D	112	82522	214
70525	72	70977/RP	70-1101	73535	109	82523	233
70525/3	72-89	70983 INOX	153-1112	73539	101	82526/D	231
70530/D	75	70984 INOX	154-1112	73539/OS	103	82530/D	232
70531/D	75	70989 INOX	155-1105	73539/1A	102	82531/D	233
70532	63	70994 INOX	154-1105	73539/2A	102	82532	215
70532/OM	63	71131/D	93-1019	73540	103	82533	216
70533/OM	66	71500	87	73544	106	82534/D	230
70533 INOX	65-1104	71502	84	73540/OS	104	82537/ED	234
70534/D	76	71519	90	73547ASOD	145-1023	82538	217
70535	74	71519/3	90	73550/AD	111	82538/1A	218
70538	66	71520	91	73551/AD	110	82539	220
70538/OM	67	71521	81	73977/RM	104-1101	82540	219
70538/OS	67	71522	61-82-164	73977/RP	105-1101	82541	221
70538/MS	68	71524	88	76539/18	61-164-994	82524	223
70539	68	71525	89	80510/PR	471	82540	219
70539/OS	69	71530/D	92	80519/3PR	473	82556	224
70544	71-88-123	71531/D	92	80519/PR	472	82556/3	225
70580	133-924	71532	81	80520/PR	467	82570	222-927
70590	133-924	71534/D	93	80521/PR	466	IM883/30QPR	1000
70800 INOX	153-1112	71535	91	80522/PR	469	IM883/30RPR	1000
70802/35	138-1007	71539	84	80523/PR	474	SI00100PT	903
70804	138-1007	71539/OS	85	80524/PR	470	"SI303BI20 WHITE - SI303NE40 BLACK"	1116
70830	140-1040	71540	85	80524/RPPR	471	SW580	923
70831 NEW	1037	71540/OS	86	80526/DPR	474	SW880	271-988
70831/SU	1038	71590	135-925	80529/PR	472		
70832 NEW	1038	71977/RM	86-1101	80530/DPR	475		
70840	141-1040	71977/RP	87-1101	80533/PR	468		
70850	1040	72521	82	80534/DPR	476		
70851	1039	72522	83	80538/2APR	470		
70867/QU	139-1014	72532	83	80538/PR	469		
70867/RO	139-1014	73062	79-96-115-131-156-1131	80550/ADPR	475		
70870	143-1039	73063	79-96-115-131-156-1131	80551/ADPR	473		
70871 NEW	1037	73131/D	112-1019	80552/ADPR	476		

DINAMICA DELLA CREATIVITÀ

Creativity dynamics

Dinamica della Creatività non è uno slogan, ma una visione del mondo dove pensiero, cultura, territorio e Made in Italy si integrano nell'energia creativa che da ottant'anni alimenta la nostra storia con nuove sfide, nuovi obiettivi, nuovi traguardi, da raggiungere assieme a chi ci sceglie.

#PASSIONECREATIVA

Crediamo nella bellezza del lavoro fatto bene, nella cura del dettaglio, nel coraggio di guardare oltre e di svegliarsi tutte le mattine con un'idea nuova in testa. Ci piace innovare per migliorare sempre i nostri prodotti e unire forma e contenuto in una sintesi perfetta di design e funzionalità.

#DNABONGIO

La nostra missione è produrre rubinetterie e sistemi completi per il bagno e gli ambienti dove l'acqua è protagonista. Vogliamo che i nostri prodotti siano in grado di testimoniare da soli il DNA autentico di Bongio, basato su valori incrollabili di creatività, bellezza, funzionalità, qualità, innovazione.

Creativity Dynamics is not a slogan, it is the way we see the world where thought, culture, local excellence and Made in Italy design mingle with the creative energy that has driven our history for eighty years now, animating it with new challenges, new goals and new milestones shared with all those along our pathway.

#CREATIVEPASSION

We believe in the beauty of a job well done, the importance of taking care of every little detail, the courage to look beyond the here and now and the value of waking up every morning with a new idea in mind. The way we see it, innovation is the best way to ensure the constant improvement of our products, working with form and content so that design meets functionality.

#DNABONGIO

It is our mission to produce total look and wellness systems for the bathroom and other environments where water reigns supreme. We want our products to speak on our behalf and convey Bongio's very essence which rests on the unshakable values of creativity, beauty, functionality, quality and innovation.

#CHANGE PERSPECTIVE

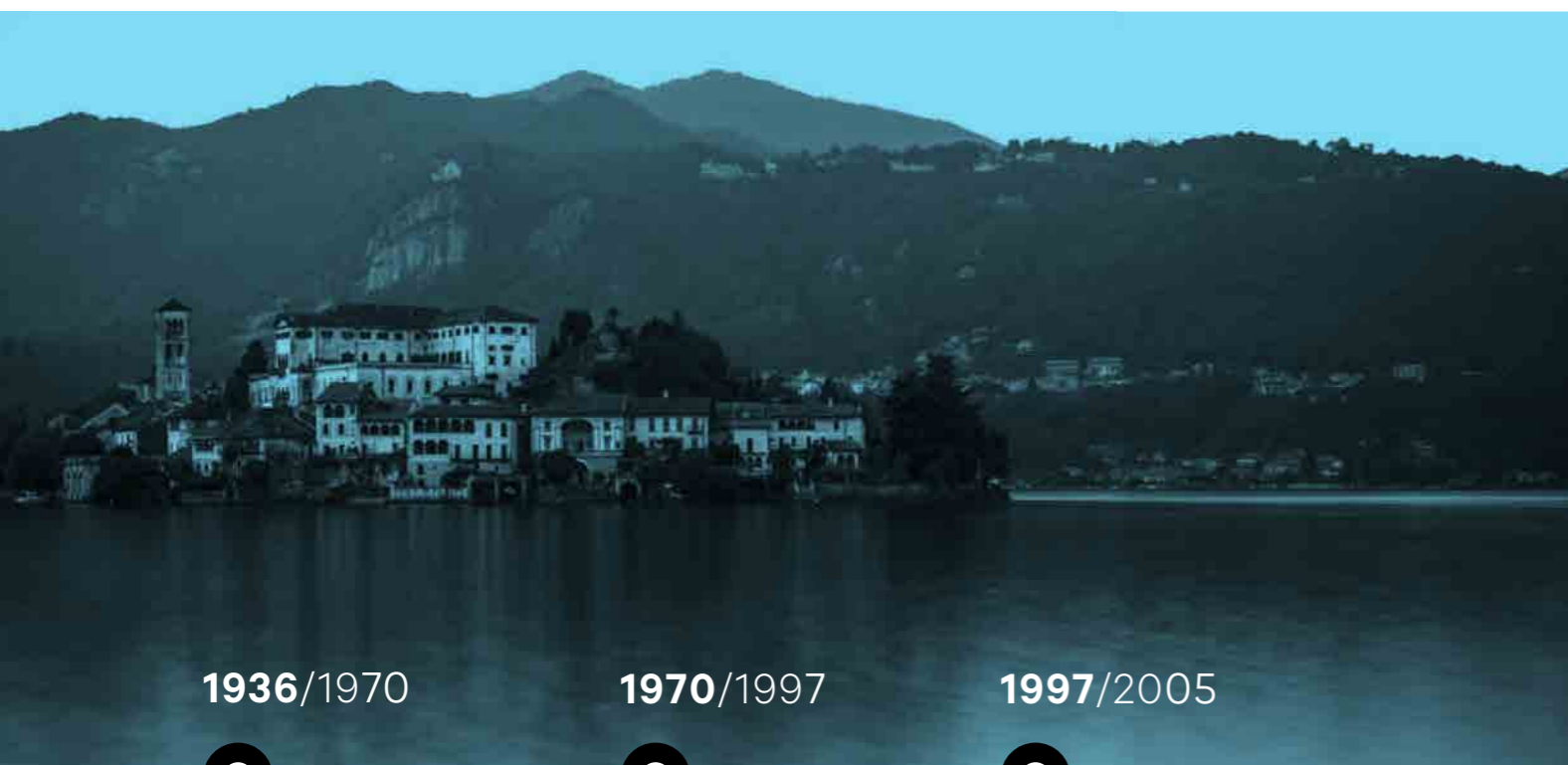


L'AZIENDA

The company

Tra Piemonte e Lombardia, in uno dei territori più operosi e innovativi d'Italia, il Lago d'Orta è un polo di eccellenza manifatturiera che coniuga una capacità industriale di livello internazionale con il rispetto e la valorizzazione di un ambiente unico al mondo per fascino naturale e cultura artistica.

Between Piedmont and Lombardy, in one of the most industrious and innovative areas of Italy, Lake Orta is a pole of manufacturing excellence that combines an international level industrial capacity with the respect and enhancement of an environment that is unique in the world for its natural charm and artistic culture.



1936/1970



1970/1997



1997/2005



2006/2013



TODAY



LA FONDAZIONE E GLI ESORDI

Dalla fondazione a opera di Mario Bongio allo sviluppo di un nuovo stabilimento questi sono gli anni in cui l'azienda forma la sua identità e il proprio DNA valoriale, basato su innovazione, tecnologia, design.

THE COMPANY'S FOUNDATION AND ITS EARLY YEARS

The years from when it was first established by Mario Bongio to the development of the new manufacturing plant are the time during which the company shapes its identity and its core values based on innovation, technology and design.

L'AFFERMAZIONE DI UN BRAND

In questo trentennio Bongio consolida la propria posizione sotto la guida di Antonio, che allarga il portafoglio prodotti con le prime collezioni a miscelazione coordinate ad accessori bagno.

THE SUCCESS OF A BRAND

In these 30 years, Bongio consolidates its leadership under the guidance of Antonio, who focuses on increasing the product portfolio with the first mixer collections matched with bathroom accessories.

BONGIO ICONA DI STILE INTERNAZIONALE

È il momento di cogliere la sfida della globalizzazione e Bongio lo fa alla grande, spostando il baricentro della propria attività sui mercati internazionali, fino a diventare icona di stile e ambasciatrice del Made in Italy nel mondo.

BONGIO, AN INTERNATIONAL STYLE ICON

The time has come to take up the challenge of globalisation and Bongio does in full stride, shifting the focus of its business to international markets to the point of becoming an undisputed style icon and an Ambassador of Made in Italy in the world.

LA VOCAZIONE AL DESIGN

Con l'ingresso in azienda di Alessandra Bongio si rafforza la collaborazione con designer e artisti ampliando la gamma di proposte stilistiche.

Nasce **BONGIOCASA**, una brand extension che porta l'eccellenza Bongio in tutti gli ambienti residenziali.

THE NATURAL VOCATION FOR DESIGN

With Alessandra Bongio joining the company, Bongio strengthens its collaboration with designers and artists, expanding the range of stylistic proposals.

BONGIOCASA is formed, an extension of the brand that introduces the company's excellence to all residential environments.

IL FUTURO È OGGI

Nel 2016 Bongio compie 80 anni, celebrati con la stessa attitudine al nuovo e lo stesso spirito creativo e innovativo che ne hanno ispirato l'attività fin dagli esordi.

THE FUTURE IS NOW

In 2016, Bongio celebrates its 80th anniversary with the same attitude to all new ideas and the same creative and innovative spirit that inspired the business since its inception.



UN FUTURO CHE VIENE DA LONTANO

A future coming from far behind

Bongio nasce dall'intuizione del suo fondatore Mario Bongio, che nel 1936 apre una piccola manifattura ad Alzo di Pella, sulle rive del lago d'Orta. Da subito l'azienda sceglie la strada dell'innovazione, della qualità e del design che ne hanno costituito il DNA creativo in grado di coniugare funzionalità, stile, tecnologia e cura artigianale del dettaglio.

Fedele allo spirito del suo fondatore, Bongio si è evoluta sotto la guida del figlio Antonio Bongio fino a diventare nel tempo un marchio di punta del Made in Italy nel mondo, con prodotti iconici e centinaia di realizzazioni di prestigio.

Bongio was born from the intuition of its founder, Mario Bongio, who in 1936 opened a small manufacturing business in Alzo di Pella on the shores of Lake Orta. From its very onset, the company chooses to pursue a path of innovation, quality and design that have formed its creative DNA, combining functionality, style, technology and a handcrafted care for details.

True to the spirit of its founder, Bongio has evolved under the management of his son, Antonio Bongio, to the point of becoming a signature brand of Made in Italy in the world, manufacturing iconic products and developing hundreds of prestigious projects.



LA MATERIA DELLE IDEE

The substance of ideas

INNOVATIVO SAPERE ARTIGIANALE

Ogni prodotto Bongio nasce dall'innovazione funzionale, che attraverso la risoluzione di problemi ergonomici, dinamici, energetici, ecosostenibili e soprattutto di ingegneria dei materiali e di utilizzo pratico, arrivi all'eccellenza della forma e del design attraverso un consolidato sapere artigianale.

MADE IN ITALY #MADE IN BONGIO

Made in Italy per noi significa "Made in Bongio", ossia un processo produttivo di eccellenza che comprende:

- processo integrato interno
- cura del dettaglio
- rispetto dei codici etici del lavoro
- certificazioni di prodotto e processo
- certificazioni sui componenti
- verniciatura interna e processi galvanici

10 ANNI DI GARANZIA

Controlliamo tutti i rubinetti e tutti gli accessori in fasi diverse della catena di produzione e un attestato di avvenuto controllo è inserito in ogni confezione. Le nostre operatrici controllano anche le superfici nei minimi particolari per garantire uniformità e perfezione estetica a ogni pezzo.

Per maggiori informazioni consultare il sito:
www.bongio.com/azienda/pulizia-e-garanzia

GROUND-BREAKING ARTISANAL SKILLS

Each Bongio product is based on the concept of functional innovation. By getting to the heart of ergonomic, dynamic, energy and sustainability issues, but especially by focusing on materials engineering and practical ramifications, superb results in terms of form and design can be achieved when you are able to rely on pure artisanal expertise.

MADE IN ITALY #MADE IN BONGIO

For us, Made in Italy means "Made in Bongio" and our outstanding production process includes:

- an integrated internal process
- meticulous detailing
- observance of a code of ethics on the workplace
- product and process certifications
- component certifications
- internal coatings and galvanic process

A 10-YEAR GUARANTEE

All faucets and accessories are checked at various stages of the production chain and an inspection certificate is placed inside each package. Our operators also run thorough surface checks to make sure that each and every piece is aesthetically perfect, smooth and even.

For more informations visit:
www.bongio.com/en/company/cleaning-and-warranty/

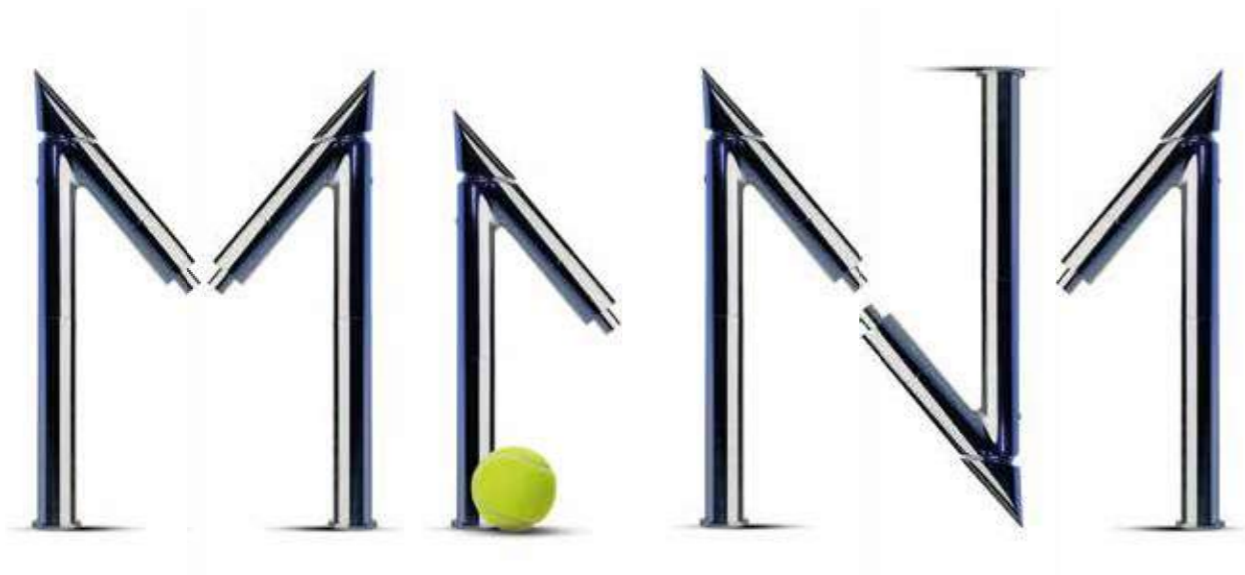


bongio®

#10YEARSWARRANTY

IL DESIGN COME MODO DI ESSERE

Design for design's sake



In Bongio la forma è la sostanza e la sostanza è la forma. Il design è un modo di essere che pervade ogni ambito del nostro operare quotidiano. Ricerchiamo e progettiamo soluzioni sempre innovative, che coniughino bellezza e funzionalità come tipica espressione di creatività italiana.

TOTAL LOOK BONGIO

Abbiamo lavorato con professionisti e artisti che condividono con noi l'idea del bagno come total look per rendere l'acqua elemento vitalizzante dell'abitare sia indoor sia outdoor.

At Bongio, form is substance and substance is form. Design pervades our very being and all our daily pursuits. We constantly seek out and design innovative solutions in order to achieve that functional beauty that is so typical of Italian creations.

TOTAL LOOK BONGIO

We have worked with professional experts and artists who share our enthusiasm for a TOTAL LOOK for the bathroom, tapping into the rejuvenating power of water for indoor and outdoor environments.

1. Andrea Castrignano
Interior Designer

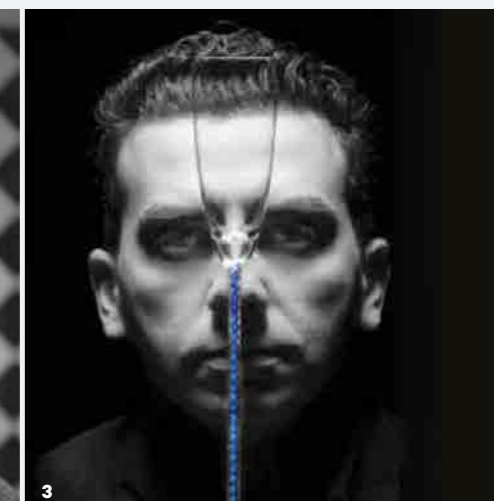
2. Federico Rossi
Architetto e Designer

3. Massimiliano Della Monaca
Designer

4. Roberto Niccolai
Creativo

5. Giancarlo Vegni
Designer

6. Marco Poletti
Architetto e Designer



LA COLLABORAZIONE
CON I DESIGNER
È LA CONVERGENZA NATURALE
DI UN SENTIRE COMUNE.

*Collaboration with designers
is natural convergence of a common feeling.*

b =



BESPOKE SOLUTIONS



In Bongio il progettista è il nostro interlocutore privilegiato. Per questo siamo disponibili a produzioni su misura per progetti speciali, con personalizzazione dei materiali, delle finiture e dei modelli in relazione alle esigenze tecniche e stilistiche dell'interior design.

MATERIALI ITALIANI

Tutta la nostra produzione è realizzata con i migliori materiali italiani, tra i quali:

- ottone certificato a basso quantitativo di piombo
- ceramiche di qualità
- vetro di Murano
- acciaio 316

At Bongio, the interior designer is our most precious partner.

This is why we cater for bespoke items and special projects, customising materials, finishes and styles so as to come closer to the technical and stylistic requirements of your dream interiors.

ITALIAN MATERIALS

Our entire production range is made from the finest Italian materials, which include:

- certified low-lead brass
- top-grade fine porcelain
- Murano glass
- 316-stainless steel

INFINITE FINITURE

Countless finishes

L'ampia gamma di finiture e i processi di trattamento galvanico sono i fiori all'occhiello della nostra tecnologia che conferiscono resistenza e brillantezza a ogni pezzo grazie ai collaudati sistemi semi-automatici per un controllo degli spessori pezzo per pezzo e componente per componente.

DORATURA PERFETTA

Da oltre vent'anni la nostra formula di doratura è realizzata con una esclusiva lega d'oro 24 carati, la cui applicazione consente di raggiungere uno spessore tre volte superiore rispetto alle dorature standard e non richiede ulteriori verniciature protettive.

Il risultato, oltre a un aumento della resistenza meccanica agli urti, è una maggiore luminosità del pezzo, davvero brillante come oro puro.

CROMATURA DI SPESSORE E VERNICIATURA A POLVERE EPOSSIPOLIESTERE

In Bongio abbiamo collaudato un esclusivo sistema manuale che consente una permanenza nel bagno galvanico adeguata all'effetto che si vuole ottenere.

Da ciò deriva uno spessore di cromatura più alto rispetto a quello ottenibile con il procedimento automatico, con i conseguenti vantaggi di durata, luminosità e resistenza e applicabilità in ogni condizione climatica o geografica.

VERNICI SOFT-TOUCH

Nuovissime finiture di tendenza satinata, trattate con speciali vernici soft-touch, che ne garantiscono una maggiore resistenza nel tempo, eliminano l'effetto impronta, e conferiscono, allo stesso tempo, eleganza e luminosità ad ogni tipo di superficie, sia essa tonda o piana. Inoltre queste finiture si adattano benissimo a prodotti dalle linee minimali, moderne o contemporanee, ma anche alle più classiche ed armoniose.

We offer a wide range of finishes and galvanic-treatment processes and, out of all our technological achievements, these are our pride and joy. Time-tested semi-automatic systems check every single piece and component for thickness, ensuring the strength and brightness of each single item.

PERFECT GOLD

Since more than 20-years, our gold plating process has been carried out with an exclusive 24-kt gold alloy, allowing us to achieve three-times-higher thickness of the standard plating and without any needs to add a further additional protection coating. The result is an extraordinary brightness, same as the pure gold and a greater bumps' resistance.

THICK CHROME PLATING AND EPOXY-POLYESTER POWDER COATING

At Bongio we use an exclusive and tested manual system which allows us to leave each single item in the galvanic tanks the required time by each shape and/or model to achieve the desired effect. From that we obtain a higher chrome thickness than the one that can be obtained by an automatic plant, with consequent advantages of durability, brightness, resistance and utilisation to any climatic or geographical condition.

SOFT-TOUCH PAINTS

The new matt metallic finishes are treated with a special soft-touch protection, in order to grant longer resistance and avoid the "fingerprint" effect. These finishes are very elegant and brilliant, perfect on both flat or roundish design and for all the different styles: minimalist/ modern or classical/ contemporary.

FINI



VOCAZIONE INTERNAZIONALE

International vocation

La nostra vocazione internazionale è confermata dalla presenza nei punti vendita più qualificati in cinque continenti e una rete capillare di funzionari in grado di fornire consulenze tecniche per ogni tipo di applicazione.

Our international vocation is supported by our presence in high-end retail outlets and an extensive network of sales officers ready to provide technical advisory services to meet any requirements.

BONGIO IN THE WORLD - REFERENCES

#LUXURYCOLLECTIONS #LIFESTYLE #INSTAWORLD

Bongio è presente sul territorio nazionale, europeo e mondiale attraverso una rete di agenti e distributori qualificati e showroom collocate nelle zone più esclusive e strategiche.

Per informazioni preghiamo contattare:
info@bongio.it

Bongio is distributed in Italy, Europe and worldwide through a network of qualified agents and distributors and showrooms located in the most exclusive and strategic areas.

If you need more information, please contact:
info@bongio.it

01

Project /
Place /

THE PLAZA DOHA BY ANANTARA
QATAR



02

Project /
Place /

RESERVA QUINTA DO LAGO
ALGARVE



03

Project /
Place /

MET ACAPELLA
HONG KONG



04

Project / PARAMOUNT APT.
Place / DUBAI



05

Project / FENDI APT.
Place / DUBAI



06

Project /
Place /

MALL OF QATAR
DOHA



07

Project /
Place /

PRIVATE VILLAS
ALGARVE



08

Project / CANTINE ANTINORI (TUSCANY)
Place / ITALY



09

Project / GRAND SHERATON
Place / DOHA



14

Project / RESIDENTIAL ARDMORE
Place / SINGAPORE



15

Project / YAS VICEROY HOTEL
Place / ABU DHABI FORMULA 1 CIRCUIT



10

Project / BOG HOTEL
Place / DOHA



11

Project / BANANA ISLAND BY ANANTARA
Place / DOHA



16

Project / HOTEL EMPIRE
Place / HONG KONG



17

Project / RAFFLES HOTEL
Place / DUBAI



12

Project / RESIDENTIAL LAKEVILLE
Place / SHANGHAI



13

Project / RITZ CARLTON
Place / DUBAI



18

Project / TRUMP HOTEL
Place / PANAMA



19

Project / ST.REGIS HOTEL
Place / ABU DHABI



20

Project / Place / VILLAS VICEM BODRUM



21

Project / Place / NEW LOUNGE DOHA AIRPORT



26

Project / Place / ARMED FORCES CLUB HOTEL ABU DHABI



27

Project / Place / LE NEW MERIDIEN MINA SEYAHI DUBAI



22

Project / Place / HOTEL SAVINI ITALY



23

Project / Place / HOTEL CAMPO MARZIO LUXURY SUITES ITALY



28

Project / Place / HOTEL ATHENS LA STRADA GREECE



29

Project / Place / VILLA CARCARA (SICILY) ITALY



24

Project / Place / HOTEL YURBBAN PASSAGE BARCELONA



25

Project / Place / HOTEL DOMES ZEEN CHANIA CRETA



30

Project / Place / HOTEL MAXIM FOLIES FRANCE



31

Project / Place / HOTEL VIENNA HOUSE (WARSAW) POLAND



32

Project / VILLA FALCONE STRESA
Place / ITALY



34

Project / VIVIENDA HOTEL
Place / JEDDAH SAUDI



34

Project / CASTELLO SAN MARCO RESORT
Place / ITALY



33

Project / HOTEL LES BORDS DE MER
Place / FRANCE



35

Project / PRIVATE HOUSE (ROME)
Place / ITALY



35

Project / LA SOLDA APARTMENTS (UMBRIA)
Place / ITALY



BONGIO NEL MONDO

Bongio in the world

ALPHONSE HOTEL - SEYCHELLES
METROPOLITAN PALACE HOTEL - DUBAI U.A.E.
TILAL BEIRUT - LEBANON
PALAZZO DE 3 AGOSTO MALABO - GUINEA EQUATORIALE
VILLA PROJECT OF DREAM ISLAND IN JEDDAH
TOURISTIC CITY - DOURRAT AL'ARUS
MASAJEL DUE 45 MT YACHT (OWNER FAMILY OF MINISTER OF DEFENSE) - KUWAIT
TEXACO OFFICES LAGOS NIGERIA (MINISTRY OF DEFENSE OFFICES) - SAUDI ARABIA
HOTEL FORUM BEIRUT - LEBANON
SCHLOSS POKVAR CASTLE TET - UNGARN
HOTEL SAN ROCCO ORTA - ITALY
HOTEL PLANET CERVINIA - ITALY
HOTEL DA EMORE C.C.C CONCREZA CARACAS - VENEZUELA
HOTEL AL BUSTAN BEIT MERY, EL METN - LEBANON
HOTEL BEVERLY BEACH JOUNIEH - KESEROUAN
HOTEL SEAROCK RAOUCHE BEIRUT - LEBANON
METROPOLITAN PALACE HOTEL BEIRUT - LEBANON
STADIUM WORLDS CUP - KOREA
SANGJEE GANGBYUN VILLA - KOREA
2-20A MINDEN AVENUE - CHINA
HOTEL NOVECENTO BOLOGNA - ITALY
KUMHO YOUYEIDO RESIDENCE SEOUL - KOREA
JUKIN APARTMENTS SEOUL - KOREA
ALPOME 107 RESIDENCE SEOUL - KOREA
DESROCHES ISLAND LODGE - SEYCHELLES
VILLA ASONGA BATA - GUINEA EQUATORIALE
KUMHO YOUYEIDO PRJ - KOREA
JUKIN APARTMENT - KOREA
ALPOME107 PRJ - KOREA
DAELIM AROVIST PRJ - KOREA
MICHELLAN 147 PRJ - KOREA
POSCO LTD. PRJ - KOREA
FORTRESS CENTRE - HONG KONG
AL HAMRA RESORT - DUBAI U.A.E.
SHANGRI LA RESORT BANGKOK - THAILAND
HILTON HOTEL - MALAYSIA
CONDOMINIUM EVELYN ROAD - SINGAPORE
GREEN LAKE HOTEL - CHINA
LAGOON BEACH - SOUTH AFRICA
THE SOFA HOTEL - ISTANBUL
KEMPINSKI - DUBAI U.A.E.
THE PALM - DUBAI U.A.E.
KUWAIT EMBASSY (IN THE WORLD)
DOHA AIRPORT (VIP AREA)
WEMBLEY STADIUM - UK
MANCHESTER UNITED STADIUM - UK
RITZ CARLTON HOTEL - NEW YORK
SOFITEL AUKLAND - NEW ZEALAND
HILTON SHENZHEN - CHINA
CROWNE PLAZA HOTEL - DUBAI U.A.E.
AL BARARI VILLAS - DUBAI
VICTORIA REGIA SOFITEL BOGOTÀ - COLOMBIA
SHERATON HOTEL - DOHA QATAR
HOTEL EMPIRE - HONG KONG
SAFFRON APARTMENT - NEW ZEALAND
SOFITEL SHENZHEN - CHINA
H PROJECT ORCHARD ROAD - SINGAPORE
MARINE VICEROY HOTEL YAS ISLAND - ABU DHABI (FORMULA 1 CIRCUIT)
PARK HOTEL NAPOLI - ITALY
TRUMP TOWER - PANAMA

MEDINA ONE HOTEL - DUBAI U.A.E.
ROJAL MIRAGE - MAROC
HILTON HOTEL BOGOTÀ - COLOMBIA
LES DUNES DE FAQRA - LEBANON
PRINCE QATAR DAMASCUS - SIRIA
ROYAL MIRAGE - DUBAI
UNA HOTEL BENEVENTO - ITALY
DALLOUL - QATAR
ALMANA VILLA - QATAR
ST. REGIS RESORT - ABU DHABI
DHARMAWANGSA - INDONESIA
PRJ ANTOINE MEDLEJ HAZMIEH - LEBANON
HOCHAR TOWER - LEBANON
OBEROI HOTEL - MUMBAI
HOTEL GALAXY - MACAU
SHANXI HOTEL - CHINA
MARRIOT HOTEL - DOHA QATAR
FENDI SHOPS IN THE WORLD
ST. REGIS - ABU DHABI
VICEM BODRUM YALILARI - TURKEY
SENTOSA PRJ - SINGAPORE
SOFITEL HENSHAN - SHANGHAI
EMPIRE HOTEL - HONG KONG
RITZ CARLTON JUMEIRAH - DUBAI
8 ARDMORE PARK - SINGAPORE
8/85 TOWER B BOGOTÀ - COLOMBIA
CANTINE ANTINORI - FIRENZE
BANANA ISLAND - DOHA QATAR
ROYAL PALACE - DOHA QATAR
CASA CALAPURNIA - BOGOTÀ
THE NEW SHERATON IN - DOHA QATAR
FENDI APT AT DAMAC HEIGHT - DUBAI U.A.E.
MALL OF QATAR - DOHA QATAR
SAVOY HOTEL - PRAHA
DD3 - DUBAI U.A.E.
HILTON AL KHOBAR
CURIO HOTEL BY DOUBLE TREE HILTON - DOHA
AL SAADYAT ISLAND VILLAS - ABU DHABI
OMAN PALACE - SULTANATE OF OMAN
LAKEVILLE RESIDENTIAL - SHANGHAI
JASSYIA PALACE - QATAR
SHK BULK RESIDENTIAL - HONG KONG
AL KHAYATT VILLAS - QATAR
AL REFAA VILLAS - QATAR
SALITRE 1000 - PORTUGAL
MET. ACAPPELLA - HONG KONG
PEARL RESTAURANT - DOHA QATAR
AL NAJADA SOUQ WAQIF BOUTIQUE HOTEL - DOHA
NEGARESTAN LUXURY COMPLEX LAVASTAN TEHERAN - IRAN
SHERATON - LAGOS NIGERIA
RESERVA QUINTA DO LAGO - PORTUGAL
RCA MOSQUE - VIVENDA PROJECT JEDDAH OMAN
HOTEL YURBBAN PASSAGE BARCELONA
HOTEL LES BORDS DE MER, MARSIGLIA
HOTEL CASA COOK CRETA
NIKH HOTEL, SIYNTAGMA, ATHENS
MEDITERRANEAN WHITE RESORT, SANTORINI ISLAND
VIVE MAR CAFE, VOULA, ATHENS
HOTEL P4, VARSAVIA
HOTEL CALLIA RETREAT, SANTORINI
QUARTANO HOTEL, PAROS ISLAND
SANTANA BEACH BAR-RESTAURANT, MIKONOS ISLAND
PERE UBU CAFE, GLYFADA

LETTURA CATALOGO

How to read our catalogue

TABELLA CODICI E PREZZI / CODES AND PRICES CHART

1. ARTICOLO COMPLETO / COMPLETE ITEM

Esempio / Exemple 01

01538CR16

.01 | .02 | .03 | .04

Esempio / Exemple 02

38538CRCR

.01 | .02 | .03 | .04

01 - Le prime due cifre indicano la SERIE

First two digits indicate the COLLECTION
(for ex: 01 = STEALTH / 38 = BOWLING)

02 - Le successive tre cifre indicano l'ARTICOLO

Next three digits indicate the ITEM
(for ex: 538 = Miscelatore lavabo incasso / Built-in basin mixer)

03 - Le successive lettere indicano la FINITURA

Next capital letters indicate the FINISH
(for ex: CR = Cromo / Chrome)

04 - L'ultimo gruppo di cifre o lettere indicano la SPECIFICA dell'articolo

Last group of digits or letters indicate the item SPECS.
ex 1: 16 = bocca 160 mm / 160 mm spout
ex 2: CR = maniglia cromo - finitura della maniglia / chrome handle - handle finish)

2. CORPO INCASSO / BUILT-IN PART

09761

Corpo incasso da abbinare alla parte esterna
Built-in part to combine with external one

3. PARTE ESTERNA DA ABBINARE / EXTERNAL MATCHING PART

Esempio / Exemple 01

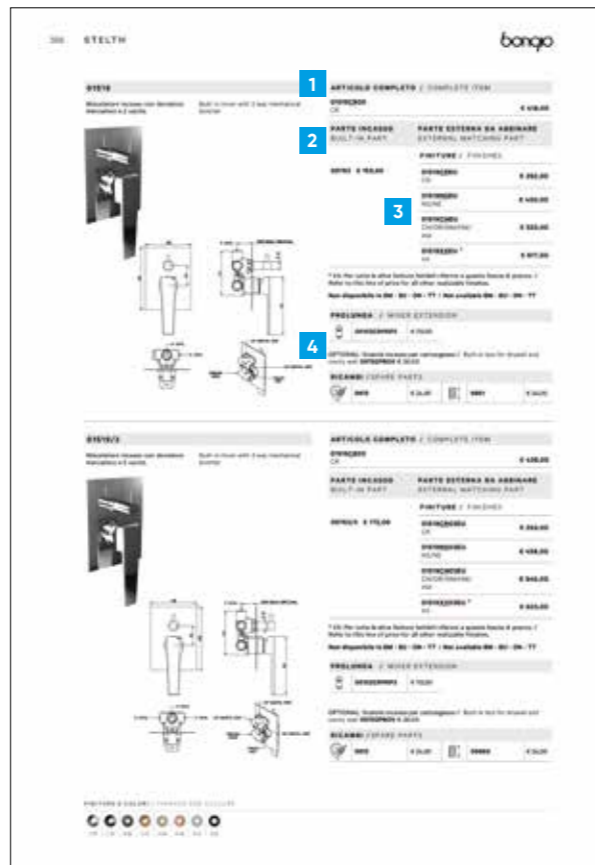
01538CR16EU

.01 | .02 | .03 | .04 | .05

Esempio / Exemple 02

38538CRCREU

.01 | .02 | .03 | .04 | .05



01 - Le prime due cifre indicano la SERIE

First two digits indicate the SERIES
(for ex: 01 = STEALTH / 38 = BOWLING)

02 - Le successive tre cifre indicano l'ARTICOLO

Next three digits indicate the ITEM
(for ex: 538 = Miscelatore lavabo incasso / Built-in basin mixer)

03 - Le successive lettere indicano la FINITURA

Next capital letters indicate the FINISH
(for ex: CR = Cromo / Chrome)

04 - L'ultimo gruppo di cifre o lettere indicano la SPECIFICA dell'articolo

Last group of digits or letters indicate the item SPECS
ex 1: 16 = bocca 160 mm / 160 mm spout
ex 2: CR = maniglia cromo - finitura della maniglia / chrome handle - handle finish)

05 - Il finale EU (EXTERNAL UNIT) indica la parte esterna da abbinare alla parte incasso

Final letters EU (EXTERNAL UNIT) indicate the external matching part of each built-in part

4. RICAMBI E COMPLEMENTI / SPARE PARTS AND ACCESSORIES

Ricambi e accessori disponibili in diverse finiture / Spare parts and accessories available in different finishes

ICONE TECNICHE / TECHNICAL ICONS



FINITURE E COLORI / FINISHES AND COLOURS

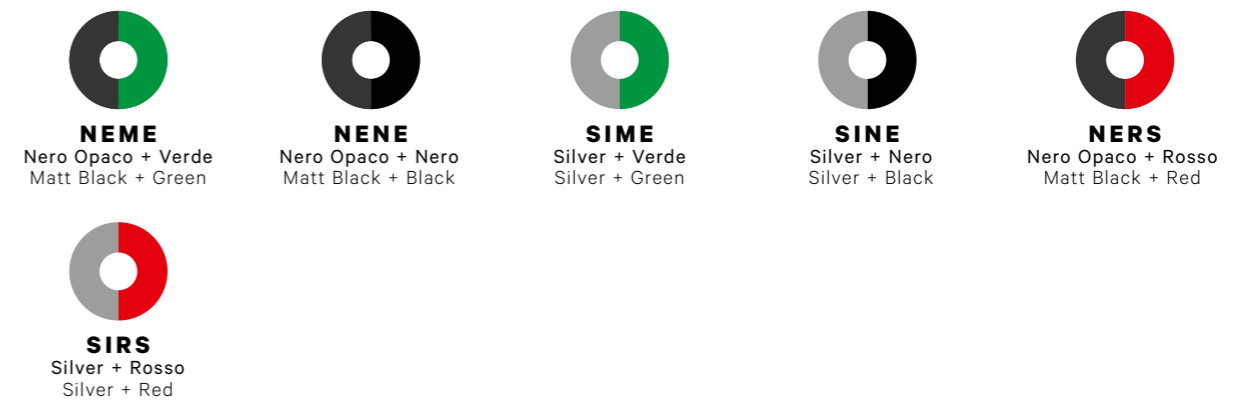
* Disponibile su richiesta / Available on request



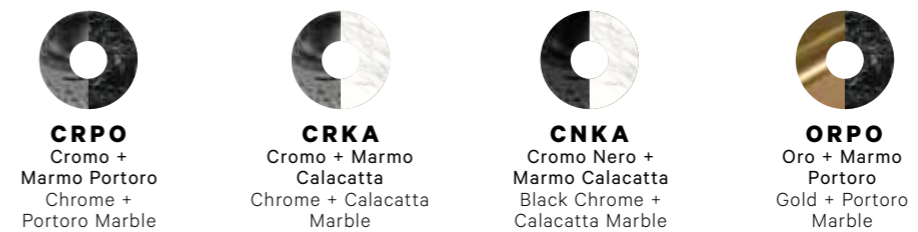
NUOVE FINITURE / NEW FINISHES



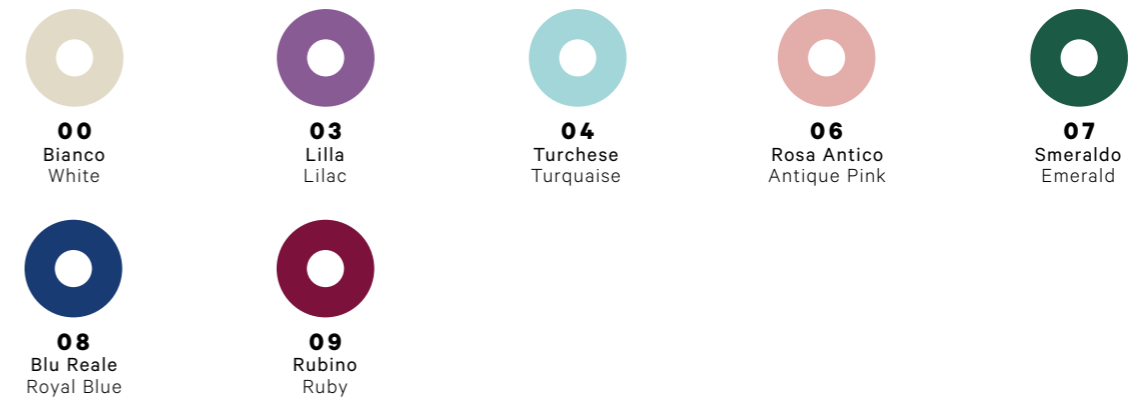
SWITCH20



AQUA: MANIGLIE IN MARMO CALACATTA E PORTORO / CALACATTA AND PORTORO MARBLE HANDLES



CLASSICHE: COLORI MANIGLIE CRISTALLO / CLASSIC SECTION: CRYSTAL HANDLES COLOURS



CLASSICHE / CLASSIC SECTION: OXFORD, MILLE NUITS, CAPRI, LA TOSCA, TURANDOT



Schede tecniche e istruzioni di montaggio sono consultabili e scaricabili sul sito www.bongio.com
Technical features and assembly instructions are available online. Download on www.bongio.com

FINITURE E COLORI / FINISHES AND COLOURS

CM - CROMO SATINATO

Finitura opaca soft-touch dai riflessi argento-blu, brillanti, soffici e vellutati.

NM - CROMO NERO SATINATO

Finitura opaca soft-touch di color antracite con riflessi brillanti che vanno dal verde petrolio al blu profondo. Una nuovissima finitura molto resistente ed ideale per tutte le tipologie di bagni.

IM - NICHEL SATINATO

Finitura in vernice opaca soft-touch dai riflessi argento-oro, simile al CROMO SATINATO ma con bagliori più caldi.

HM - ORO FRANCESE SATINATO

Finitura in oro 24 kt chiaro, con trattamento soft touch che ne garantisce una maggiore resistenza nel tempo ed elimina l'effetto impronta.

OM - ORO SATINATO

Finitura in oro 24 kt con trattamento opaco soft touch. Luminoso, elegante, senza tempo adatto per tutte le collezioni spaziando dal moderno al classico.

AM - ORO ROSA SATINATO

Finitura ispirata all'attuale tendenza per i gioielli più preziosi, realizzata con una lega di oro-giallo 24 kt e lega color rame.

BM - BRONZO OPACO

Finitura opaca soft-touch dalle sfumature che variano dal giallo-oro all'ottone color cacao. Questa nuova finitura bronzo è ideale anche per le serie moderne.

CR - CROMO

È la finitura più utilizzata, con superfici a specchio e grazie agli spessori elevati, risulta anche la più resistente.

CN - CROMO NERO

Finitura simile al cromo, ma dalla tonalità più fredda. Superficie a specchio, resistente, con bagliori simili alla "pietra onice".

NI - NICHEL LUCIDO

Finitura simile al cromo ma dalle tonalità più calde. Inizialmente le superfici risultano a specchio ma con il tempo si evolvono passando ad una tonalità simile all'argento.

NS - NICHEL SPAZZOLATO

Finitura spazzolata della versione lucida, non protetta da vernice, si evolve nel tempo. Può ricordare l'acciaio inox ma con una tonalità più calda. Ideale utilizzata sia per serie classiche che moderne.

PL - PLATINUM

Finitura galvanica cromata ottenuta con una spazzolatura manuale. L'effetto ricorda l'acciaio spazzolato.

AS - ACCIAIO SPAZZOLATO

L'acciaio inox combina i vantaggi di un materiale estremamente igienico, per una garanzia di lunga durata.

ON - OTTONE NATURALE

Finitura naturale lucida, volutamente non protetta da vernice per conferire un aspetto vissuto ed antico. Inizialmente le superfici risultano lucide ed omogenee ma a contatto con l'atmosfera, l'acqua, la luce, la finitura si evolve rimanendo più lucida nei punti di maggior contatto mentre avviene un imbrunitura del metallo nelle zone di minor contatto.

BU - OTTONE BURATTATO

Variante grezza dall'effetto semi-martellata della finitura ottone naturale e come tale si evolve nel tempo in ugual modo.

FA - FERRO ANTICO

Finitura galvanica ottenuta depositando vari strati metallici di diverse finiture, su cui si effettua una spazzolatura manuale e viene applicata una vernice satinata per mantenere inalterato il caratteristico effetto invecchiato. Ideale per serie classiche e moderne. Questa finitura viene realizzata con trattamenti manuali e data la particolare lavorazione artigianale può presentare una colorazione non uniforme.

OR - ORO 24KT

Finitura galvanica che si ottiene in bagni elettrolitici di oro 24 kt.

OP - ORO SPAZZOLATO 24KT

Finitura galvanica ottenuta in bagni elettrolitici di oro 24 kt con spazzolatura manuale. Ideale per serie moderne.

TT - TERRA DI TOSCANA

Finitura galvanica ottenuta in più fasi compresa una spazzolatura manuale ed una particolare pulitura con creme lucidanti, effettuata a mano per dare il caratteristico effetto invecchiato. Questa finitura viene realizzata con trattamenti manuali e data la particolare lavorazione artigianale può presentare una colorazione non uniforme.

RB - MOKA OPACO

Finitura in vernice opaca a spessore in polvere, dall'intensa tonalità marrone scuro.

OA - ORO ROSA *

Finitura galvanica che si ottiene in bagni elettrolitici di oro rosa 22 kt che contengono una piccolissima percentuale di rame che conferisce il caratteristico colore rosato, finitura ideale per serie classiche e moderne.

* Disponibile su richiesta

BI - BIANCO OPACO

Finitura in vernice opaca a spessore in polvere. Ideale per serie moderne.

NE - NERO OPACO

Finitura in vernice opaca a spessore in polvere. Ideale per serie moderne. Questa finitura viene realizzata con trattamenti manuali e data la particolare lavorazione artigianale può presentare una colorazione non uniforme.

RS-SS-SB-LI**(ROSSO F1 / SUPERSKY / FRAGOLA / LIME)**

Sono finiture in vernice lucida, tonalità molto allegre ideali per serie moderne.

WM - BALENA

Finitura in vernice opaca a spessore in polvere. Ideale per conferire alle serie moderne, un gusto volutamente anni '80 per accostamenti vintage ed eclettici.

RM - ROUILLE

Finitura in vernice opaca a spessore in polvere. Ideale per conferire alle serie moderne, un gusto volutamente anni '80 per accostamenti vintage ed eclettici.

OS - OTTONE SPAZZOLATO

Variante spazzolata dell'ottone naturale, si evolve nel tempo ed è indicata per l'utilizzo in ambienti dal forte impatto materico.

BB - BRONZO BIANCO

Finitura galvanica realizzata sulla base dell'ottone burattato. Conferisce al rubinetto un aspetto argenteo e moderno. Finitura materica e contemporanea.

CM - MATT CHROME

Soft-touch matt finish with silver-blue reflections, bright, soft and velvety at the same time.

NM - MATT BLACK CHROME

Soft-touch Anthracite matt finish with brilliant reflections, moving from petrol-green to deep-dark-blue. A brand new very resistant finish, perfect in all kind of bathrooms.

IM - MATT NICKEL

Soft-touch matt paint finish with silver-gold shades, similar to MATT CHROME, but much more warmer.

HM - MATT FRENCH GOLD

Light 24 kt gold finish, with soft-touch treatment to guarantee stronger resistance over time and to eliminate the finger-print effect. A refined, discreet, iridescent shade.

OM - MATT GOLD

24 kt gold treatment with soft-touch matt surface. Bright, elegant, timeless, suitable for all collection, modern or classic.

AM - MATT ROSE GOLD

Finish inspired by the current trend on the most precious jewels, made with 24 kt yellow-gold mixed to copper. Soft-touch cover on top and suitable for both classic and minimal collections.

BM - MATT BRONZE

Soft-touch matt finish with changing shades from yellow-gold to cocoa-brass-color. This new bronze finish it is ideal for modern collections too.

CR - CHROME

It is the most required finish with a mirror surface. Our higher thickness of chrome grants higher resistance.

CN - BLACK CHROME

This finishing very similar to the Chrome but more cold. The surface are like mirror with floss similar to "unix stone".

NI - POLISHED NICKEL

This finish is similar to chrome but with warmer shades. Initially, the surfaces are mirrored but over time they evolve to a shade similar to silver.

NS - BRUSHED NICKEL

It is a brushed finish of the polished version, not protected by paint and it evolves over time. It may recall stainless steel but with a warmer tone. Ideal used for both classic and modern series.

PL - PLATINUM

Brushed chromed galvanic finish, obtained through a manual brushing, with the final effect of the brushed stainless steel.

AS - BRUSHED STEEL

The brushed stainless steel combines the benefits of an extremely hygienic and strong object.

ON - NATURAL BRASS

Natural glossy finish of the real brass, deliberately not protected by paint to give a worn and antique look. Initially, the surfaces are shiny and homogeneous but in contact with the air, water&light, the finish evolves remaining shinier in the points of greatest contact while the metal becomes brown in the areas of least contact.

BU - TUMBLER BRASS

Raw variant with a semi-hammered effect of the natural brass finish and as such evolves over time in the same way of the natural brass.

FA - OLD IRON

Galvanic finish obtained by the deposit of different metallic finish, one over the other, plus a manual brushing and a final application of a mat varnish to maintain the old 'effect' during the time. This finish it is the best for the classic and modern collections. This finish is made with manual treatments and may therefore display colours variations due to the particular craftsmanship.

OR - 24KT GOLD

Galvanic finish obtained by 24 kt gold electrolytic processing.

OP - 24KT BRUSHED GOLD

Manual brushing made on the am gold finish. This has suggested for the modern collections.

TT - TUSCANY BRONZE

Galvanic finish obtained through more phases, from a manual brushing to a particular polishing. Using a special glossy cream, we obtain the effect of an old finish.

This finish is made with manual treatments and may therefore display colours variations due to the particular craftsmanship.

RB - MATT MOKA

Deep dark brown tonality for this finish obtained by powder and then covered by a matt paint.

OA - ROSE GOLD *

Galvanic finish obtained by 22 kt gold electrolytic processing. That contain a smallest quantity of copper that gives the characteristic rosed color, ideal finish for classic and modern series.

* Available on request

BI - MATT WHITE

Matt white tonality finishing obtained by powder.

NE - MATT BLACK

Matt black tonality finishing obtained by powder. This finish is made with manual treatments and may therefore display colours variations due to the particular craftsmanship.

RS-SS-SB-LI**(F1 RED / SUPERSKY / STRAWBERRY / LIME)**

This finishes are made in gloss paint, ideal for modern series.

WM - BALENA

This is a finish in matte thick powder paint. Ideal for giving modern series a deliberately 80s flavor for vintage and eclectic combinations.

RM - ROUILLE

This is a finish made in matte thick powder paint. Ideal for giving modern series a deliberately 80s flavor for vintage and eclectic combinations.

OS - BRUSHED BRASS

It is a brushed variant of the natural brass, it evolves over time and is suitable for use in environments with a strong material impact.

BB - WHITE BRONZE

It is a galvanic finish made on tumbled brass base. It gives the faucet a silvery and modern look. Material and contemporary finish.

FLESSIBILI DISPONIBILI

Available flexible hoses

CASO 1 / OPTION 1

Flessibili in PVC abbinati alle seguenti finiture verniciate e satinare:

PVC flexible hoses combined with the following painted and matt finishes:

OM - NE - BI - RS - FA - TT - RB - NM - CM - IM - HM - AM - BM



NOTA CASO 1 / NOTE OPTION 1

Per garantire gli standard qualitativi, nelle finiture verniciate e satinare i flessibili verranno forniti in PVC. / To assure our quality standard for painted and matt finishes, the flexible hoses will be supplied in PVC.

CASO 2 / OPTION 2

Flessibili in metallo abbinati alle seguenti finiture galvaniche:

Metal flexible hoses combined with the following galvanic finishes:

CN - CR - NI - NS - ON - BU - OP - OR - PL



NOTA CASO 2 / NOTE OPTION 2

Nelle finiture galvaniche i flessibili verranno forniti interamente in finitura galvanica. / For galvanic finishes, the flexible hoses will be supplied entirely in galvanic finishes.

FLESSIBILI DISPONIBILI

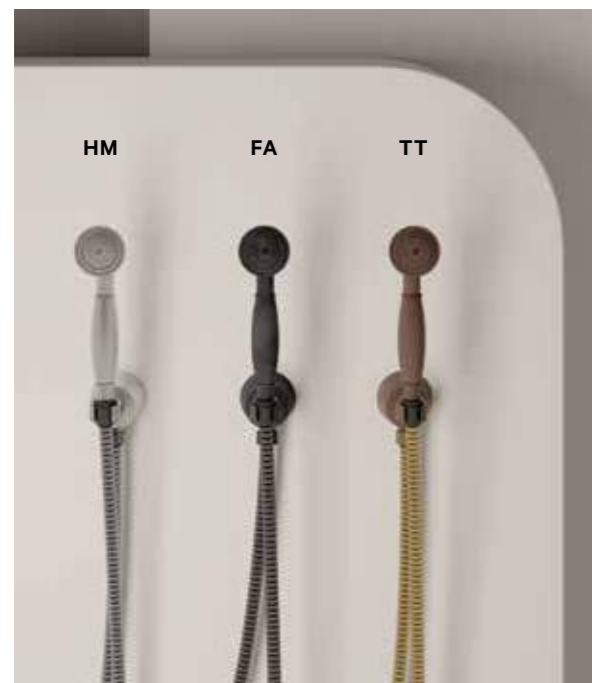
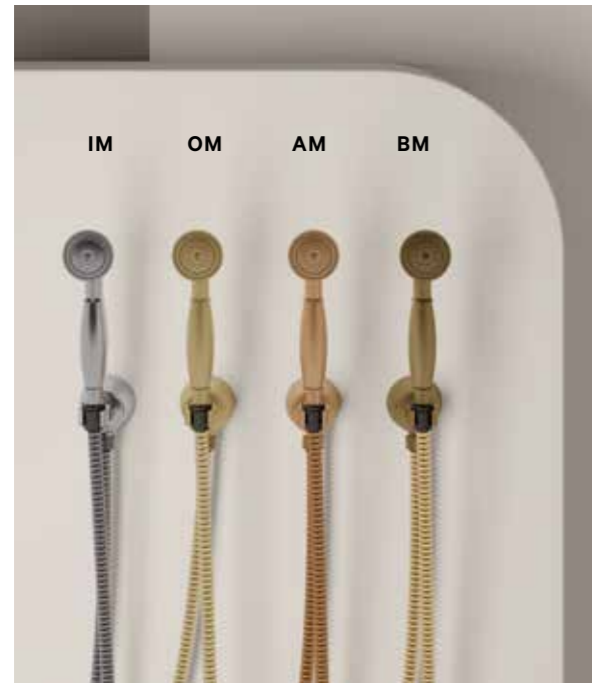
Available flexible hoses

CASO 3 / OPTION 3

Flessibili in metallo spazzolato galvanico con attacco conico in delrin nero, abbinati alle seguenti finiture verniciate e satinare:

Galvanic brushed metal flexible hoses with black delrin conical connection, combined with the following painted and matt finishes:

IM - OM - AM - BM - RB - NE - CM - NM - HM - FA - TT



ABBINAMENTI / COMBINATIONS

DOCCETTA / HAND SHOWER	FLESSIBILE / FLEXIBLE HOSE
IM - HM	Nichel spazzolato Brushed nickel
OM - BM - RB - TT	Oro spazzolato Brushed gold
AM	Oro rosa spazzolato Brushed rose gold
NE - NM - FA	Cromo nero spazzolato Brushed black chrome
CM	Platinum

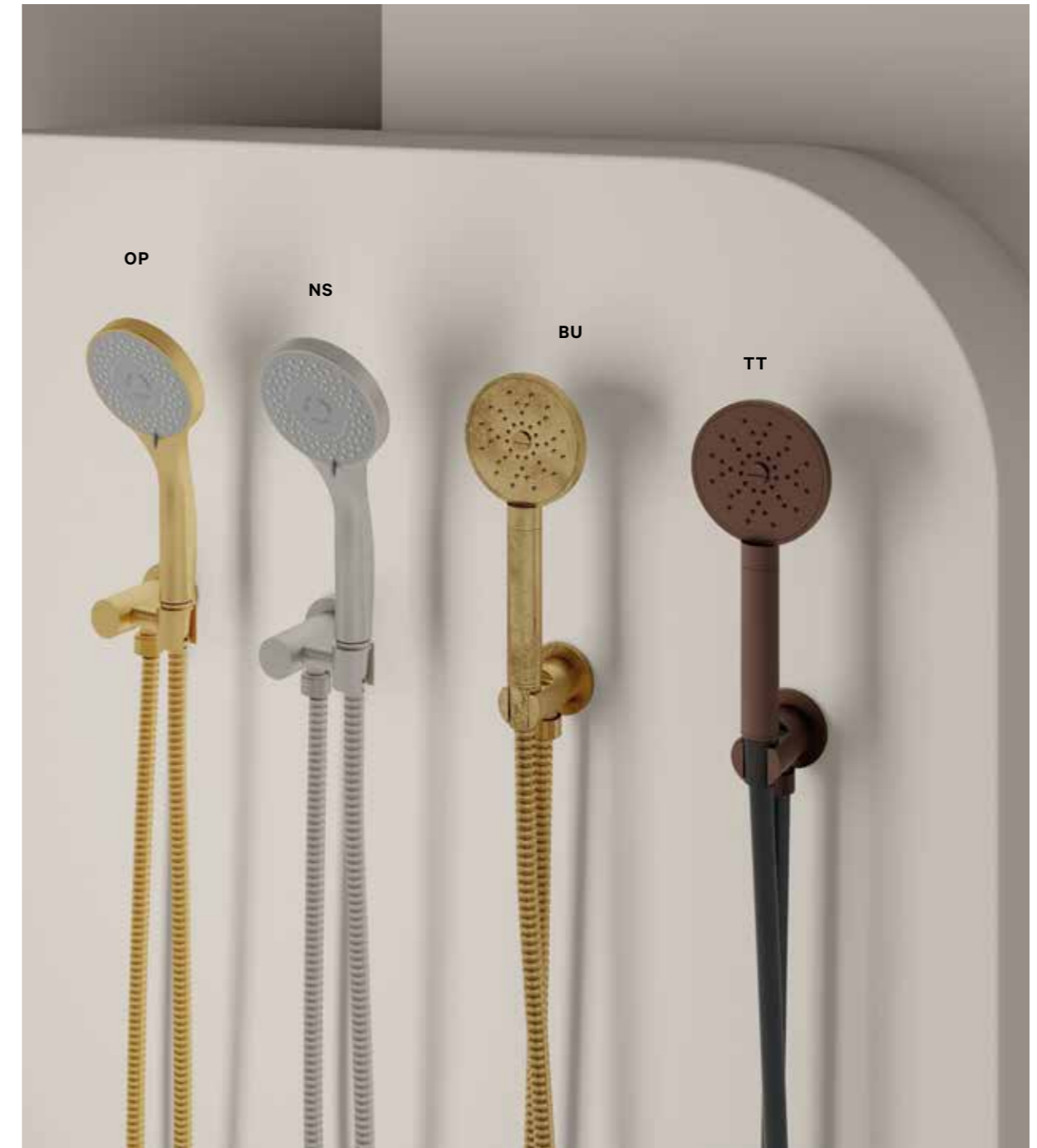
NOTA CASO 3 / NOTE OPTION 3

Per garantire gli standard qualitativi, nelle finiture verniciate e satinare i flessibili verranno forniti in finitura galvanica spazzolata con calotta in delrin nero / To assure our quality standard for painted and matt finishes, the flexible hoses will be supplied in brushed galvanic finish with black delrin conical connection.

CASO 4 / OPTION 4

Flessibili in metallo e PVC abbinati a doccette multi/monogetto.

Metal and PVC flexible hoses, combined with multi/single handshower function.



TT - Riferirsi a NOTA CASO 1 / Follow NOTE OPTION 1

OP/NS/BU - Riferirsi a NOTA CASO 2 / Follow NOTE OPTION 2



INOX 316

COLLECTION

PAG. 60

TIME2020 ACQUAVIVA

CARTUCCIA PROGRESSIVA / PROGRESSIVE CARTRIDGE

PAG. 60

TIME2020

CARTUCCIA PROGRESSIVA / PROGRESSIVE CARTRIDGE

PAG. 80

TIME2020 T&LEVER

CARTUCCIA TRADIZIONALE / TRADITIONAL CARTRIDGE

PAG. 98

TIME2020 BASIC

CARTUCCIA TRADIZIONALE / TRADITIONAL CARTRIDGE

PAG. 116

TIME2020 WOOD

CARTUCCIA TRADIZIONALE / TRADITIONAL CARTRIDGE

PAG. 132

TIME2020 KITCHEN

PAG. 136

TIME2020 WELLNESS

PAG. 148

TIME2020 ACCESSORIES

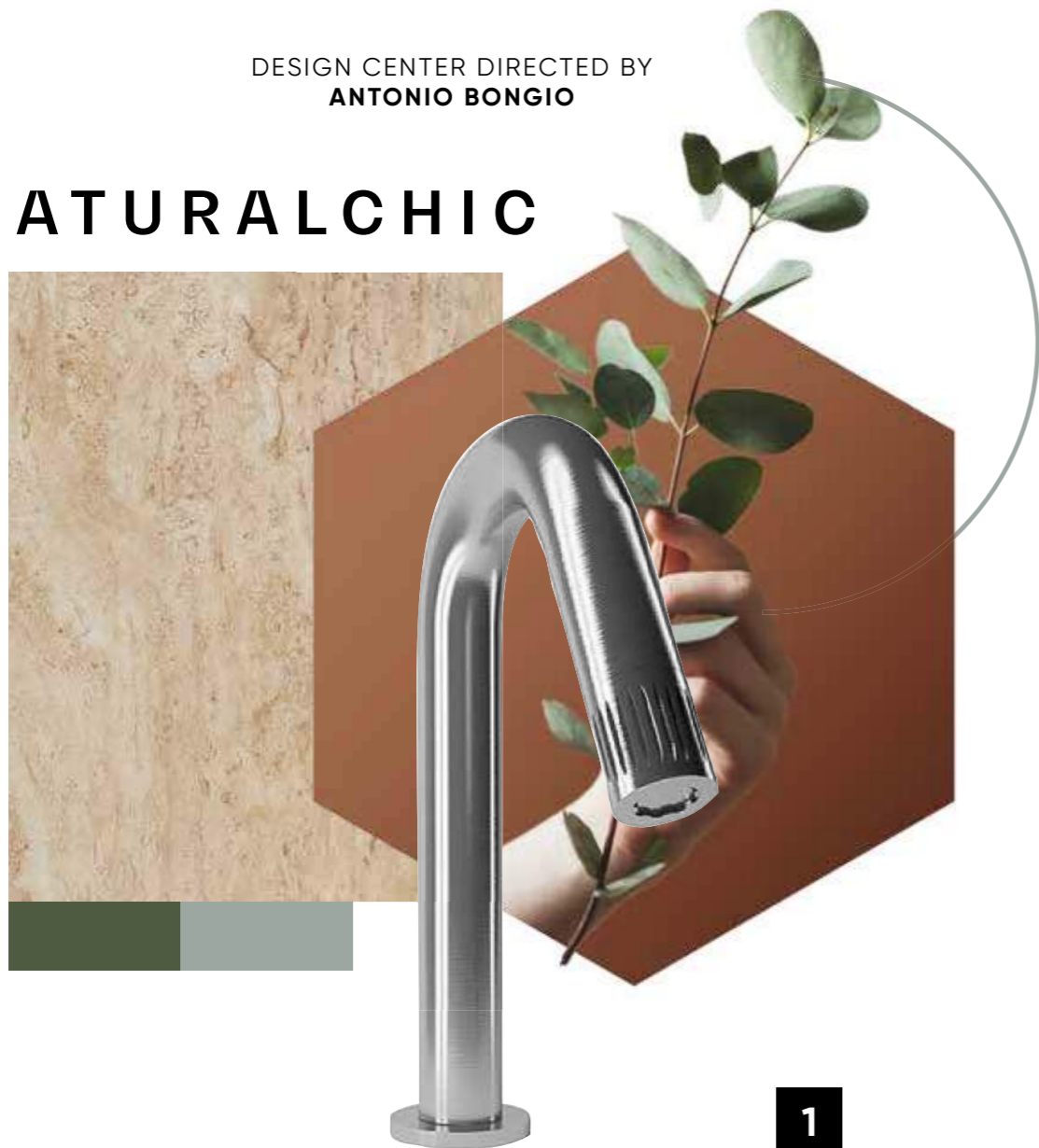
PAG. 152

TIME2020 COMPLEMENTS

TIME 2020

DESIGN CENTER DIRECTED BY
ANTONIO BONGIO

#NATURALCHIC



1

A naturally sophisticated elegance

ESSENZIALITÀ NATURALE

Natural essence

La purezza dell'acciaio inox 316, la pulizia delle linee, la finitura micro-spazzolata e la completezza di accessori rendono TIME2020 la scelta ideale per ambienti interni ed esterni improntati all'essenzialità più sofisticata, che non rinuncia all'autenticità di un effetto naturale.

The purity of AISI 316 stainless steel and the clean lines, micro-brushed-finish and full range of accessories make TIME 2020 the ideal choice to decorate indoor and outdoor living spaces whose design is meant to evoke the most sophisticated simplicity but at the same time also capture the authenticity of a natural effect.

#DUSTY



2



#SOPHISTICATED



3

- 1. Art. 70521AS00
- 2. Art. 70131AS0D
- 3. Art. 70010AS00



INNATEFLAIR



LAVABO / WASHBASIN
Art. 70521AS00

BIDET / BIDET
Art. 71522AS00
Art. 70904AS00

ACCESSORI / ACCESSORIES
Art. 70001AS00
Art. 70033AS00
Art. 70022AS00
Art. 70027AS00
Art. 70010AS00



LAVABO / WASHBASIN
Art. 71521AS00
Art. 72532AS00
Art. 73540AS00

ACCESSORI / ACCESSORIES
Art. 70033AS00
Art. 70944AS00



LAVABO / WASHBASIN
Art. 70533AS00

#ESSENTIALBEAUTY





LAVABO / WASHBASIN
Art. 70538ASOM



LAVABO / WASHBASIN
Art. 70977ASOM

#SIMPLYSTYLISH





INFORMAZIONI TECNICHE

Technical details

TIME2020 contribuisce ai CREDITI LEED®. / TIME2020 contributes to meet LEED® CREDITS.
(Leadership in Energy and Environmental Design of the U.S. Green Building Council, GREEN BUILDING PROGRAM)



TIME2020 è realizzata in acciaio inox 316.

CARTUCCIA: la Serie TIME2020 è dotata di diverse tipologie di cartucce: cartuccia Ø 25, 35, senza distributore, progressive e tradizionali. Il funzionamento della cartuccia miscelatrice progressiva si ottiene con un movimento rotatorio in senso orario, ottenendo un'erogazione dell'acqua, da fredda a miscelata per passare a calda, questo sistema permette una notevole riduzione di consumo di acqua calda e di energia. La temperatura d'impianto non deve superare i 70°C. La pressione di esercizio dell'impianto consigliata è di 3 bar.

EROGAZIONE: la Serie TIME2020 ha un tipo di erogazione morbida. **I lavabi e i bidet sono forniti con un aeratore con limitatore di portata a 5±7 l/m permettendo un notevole risparmio di acqua.**

SISTEMI DI DEVIAZIONE: i deviatori Bongio sono testati per funzionare da un minimo di 0,5 bar di pressione.

INSTALLAZIONE: tutti gli articoli ad incasso Bongio completi sono forniti di relative parti da incassare. Per i miscelatori lavabo e bidet da installarsi su piano, devono essere realizzati fori di Ø 35 mm. max e per miscelatori bordo piano Ø 47 mm. Max.

TIME2020 collection has made in brushed 316 stainless steel.

CARTRIDGES: we use different kind of progressive and traditional cartridges: Ø 25 Ø 35.

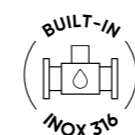
Progressive cartridges work through a turning clock wise movemet, obtaining a water supply from completely cold water to hot, highly reducing hot and boiler wasting/consumption. The temperature of the plant must not exceed 70°. The ideal working pressure of the plant is 3 bar.

SUPPLY: TIME2020 has a soft supply. **Basin and bidet mixers have a limitation of flow to 5±7 lt/m which reduces the water waste.**

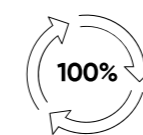
DIVERTING SYSTEMS: Bongio diverters have been tested to work properly starting from a minimum 0,5 bar pressure.

INSTALLATION: all the built-in Bongio items are available with universal raw built-in body.

For the basin and bidet mixers to be place on top deck, they require to have Ø 35 mms. maximum holes, and the mixers they require Ø 47 mms. maximum holes.



Perfetto per l'erogazione di acqua potabile perchè interamente realizzato in acciaio Inox 316. Entirely built in 316 stainless steel material, so perfectly used for drinkable water dispensing.



Materiale 100% riciclabile
100% recyclable material



Materiale eterno, estremamente resistente agli agenti esterni o chimici. Timeless material, extremely resistant to weathering or chemical agents.

FINITURE E COLORI / FINISHES AND COLOURS

DETTAGLI / MORE INFO PAG. 38



AS

Acciaio Spazzolato
Brushed Steel



NE

Nero Opaco
Matt Black



TIME2020

CARTUCCIA PROGRESSIVA / PROGRESSIVE CARTRIDGE



Art. 76539AS18

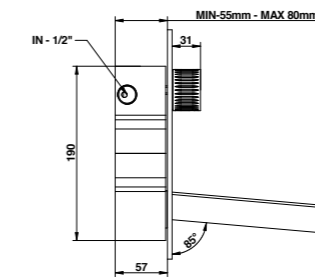
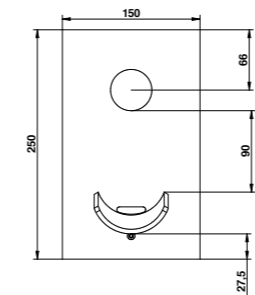
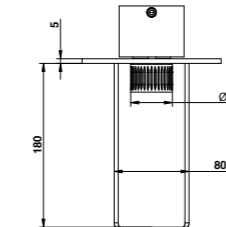
FINITURE E COLORI / FINISHES AND COLOURS



76539/18 INOX 316 NEW

Miscelatore lavabo a parete con bocca 180 mm e piastra in acciaio spazzolato 316 e cartuccia progressiva.

316 brushed stainless steel wall basin mixer with 180 mms. spout and plate, progressive cartridge



ARTICOLO COMPLETO / COMPLETE ITEM

76539AS18
AS

Non disponibile in altre finiture. / Not available in other finishes.

ABBINABILE A / TO MATCH WITH:

Sifone / Siphon - **70067AS00**

Piletta clic-clac acciaio / Stainless steel clic-clac waste - **70071AS00**

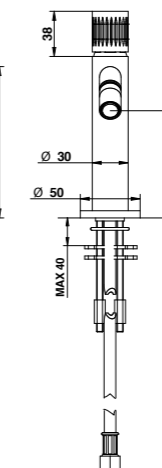
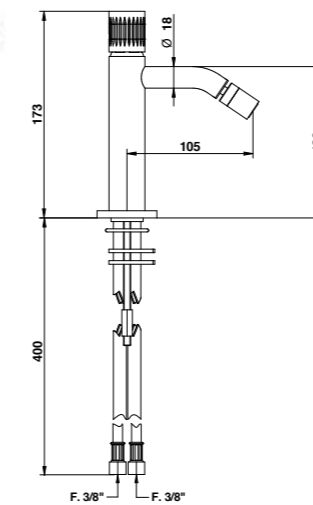
RICAMBI / SPARE PARTS

9822

71522

Miscelatore bidet in acciaio spazzolato 316 con cartuccia tradizionale.

316 brushed stainless steel bidet mixer with traditional cartridge.



ARTICOLO COMPLETO / COMPLETE ITEM

71522AS00
AS

ABBINABILE A / TO MATCH WITH:

Sifone / Siphon - **70067AS00**

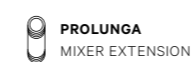
Piletta clic-clac acciaio / Stainless steel clic-clac waste - **70071AS00**

RICAMBI / SPARE PARTS

9895

9393

ACCESSORI E RICAMBI / ACCESSORIES AND SPARE PARTS



PROLUNGA
MIXER EXTENSION



CARTUCCIA E VITONE
CARTRIDGE AND MECHANISM



AERATORE
AERATOR



FLESSIBILE
FLEXIBLE



DOCCETTA
HANDSHOWER



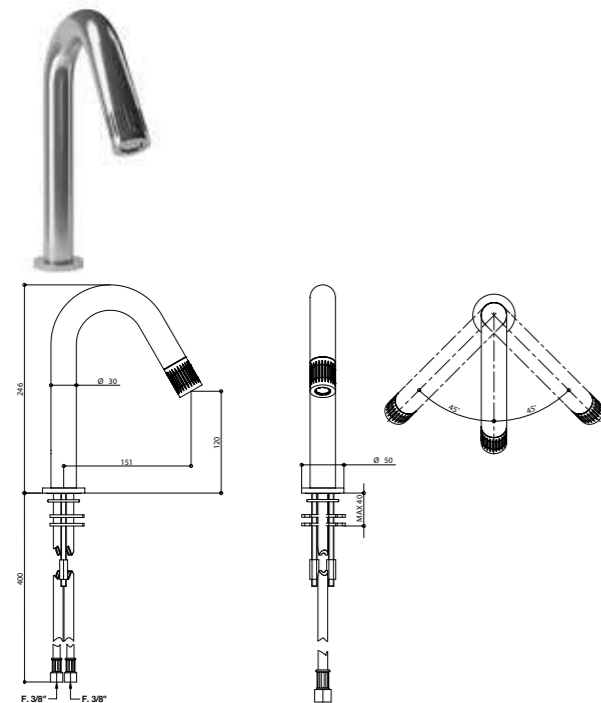
DEVIATORE
DIVERTER



70521

Miscelatore lavabo girevole in acciaio spazzolato 316 e cartuccia progressiva inclusa nella bocca.

316 brushed stainless steel swivel basin mixer with progressive cartridge placed in the spout.



ARTICOLO COMPLETO / COMPLETE ITEM

70521AS00
AS

70521NE00
NE

ABBINABILE A / TO MATCH WITH:

Sifone / Siphon - **70067AS00**

Piletta clic-clac acciaio / Stainless steel clic-clac waste - **70071AS00**

RICAMBI / SPARE PARTS



9880

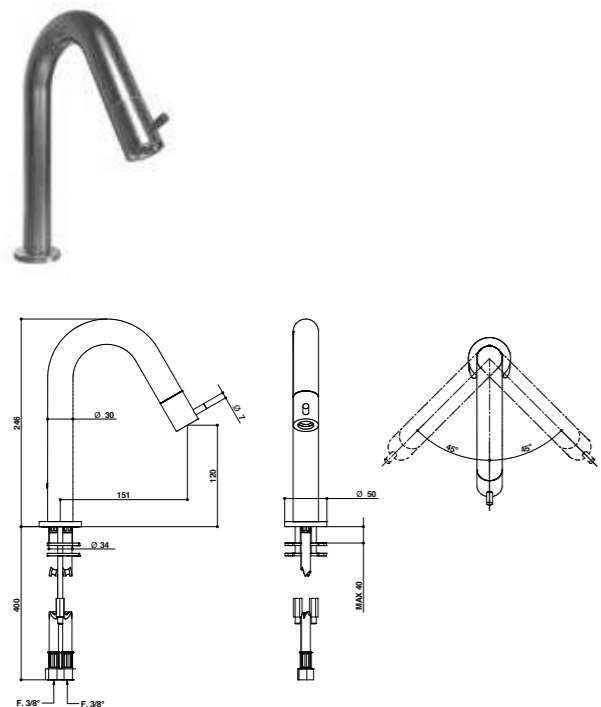


9390

70521/0M

Miscelatore lavabo girevole in acciaio spazzolato 316 e cartuccia progressiva inclusa nella bocca.

316 brushed stainless steel swivel basin mixer with progressive cartridge placed in the spout.



ARTICOLO COMPLETO / COMPLETE ITEM

70521AS0M
AS

70521NE0M
NE

ABBINABILE A / TO MATCH WITH:

Sifone / Siphon - **70067AS00**

Piletta clic-clac acciaio / Stainless steel clic-clac waste - **70071AS00**

RICAMBI / SPARE PARTS



9880



9390

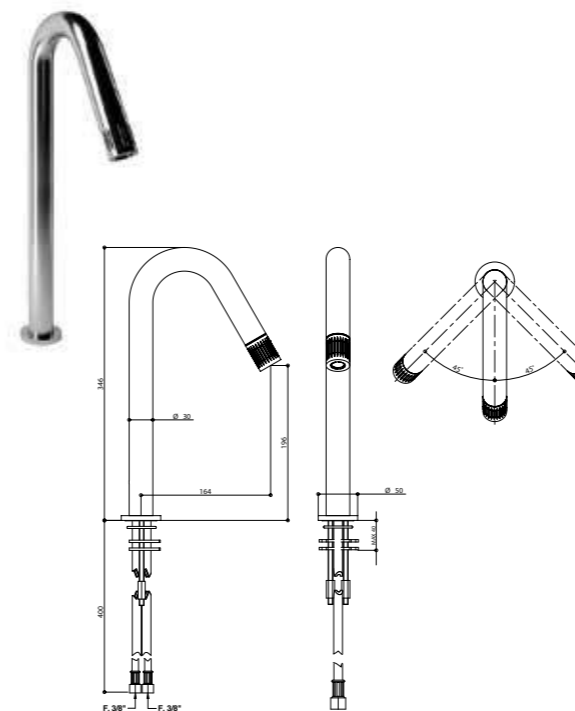
FINITURE E COLORI / FINISHES AND COLOURS



70532

Miscelatore lavabo girevole (alto mm 346) in acciaio spazzolato 316 e cartuccia progressiva inclusa nella bocca.

316 brushed stainless steel (346 mms. high) swivel basin mixer with progressive cartridge placed in the spout.



ARTICOLO COMPLETO / COMPLETE ITEM

70532AS00
AS

70532NE00
NE

ABBINABILE A / TO MATCH WITH:

Sifone / Siphon - **70067AS00**

Piletta clic-clac acciaio / Stainless steel clic-clac waste - **70071AS00**

RICAMBI / SPARE PARTS



9880

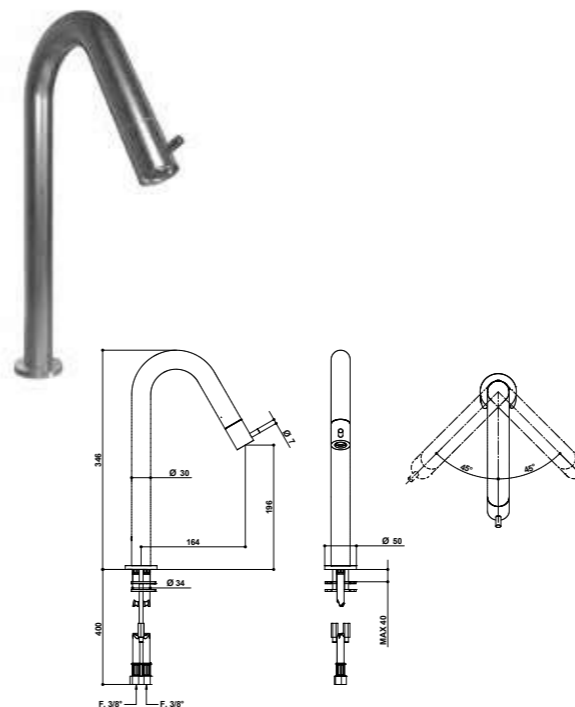


9390

70532/0M NEW

Miscelatore lavabo girevole (alto mm 346) in acciaio spazzolato 316 e cartuccia progressiva inclusa nella bocca.

316 brushed stainless steel (346 mms. high) swivel basin mixer with progressive cartridge placed in the spout.



ARTICOLO COMPLETO / COMPLETE ITEM

70532AS0M
AS

70532NE0M
NE

ABBINABILE A / TO MATCH WITH:

Sifone / Siphon - **70067AS00**

Piletta clic-clac acciaio / Stainless steel clic-clac waste - **70071AS00**

RICAMBI / SPARE PARTS



9880



9390

ACCESSORI E RICAMBI / ACCESSORIES AND SPARE PARTS



PROLUNGA
MIXER EXTENSION



CARTUCCIA E VITONE
CARTRIDGE AND MECHANISM



AERATORE
AERATOR



FLESSIBILE
FLEXIBLE



DOCCETTA
HANDSHOWER



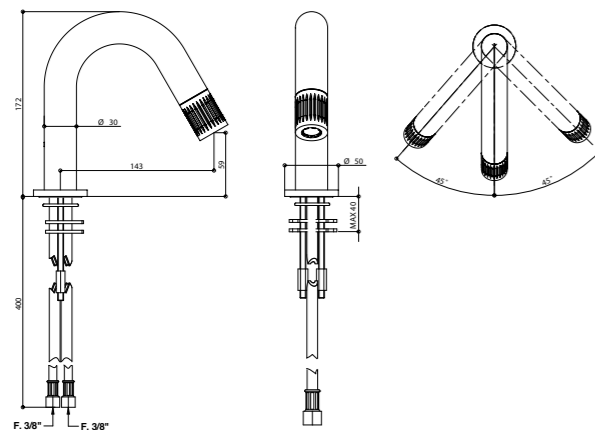
DEVIATORE
DIVERTER



70522

Miscelatore bidet girevole in acciaio spazzolato 316 e cartuccia progressiva inclusa nella bocca.

316 brushed stainless steel swivel bidet mixer with progressive cartridge placed in the spout.



ARTICOLO COMPLETO / COMPLETE ITEM

70522AS00

AS

70522NE00

NE

ABBINABILE A / TO MATCH WITH:

Sifone / Siphon - **70067AS00**Piletta clic-clac acciaio / Stainless steel clic-clac waste - **70071AS00**

RICAMBI / SPARE PARTS



9880

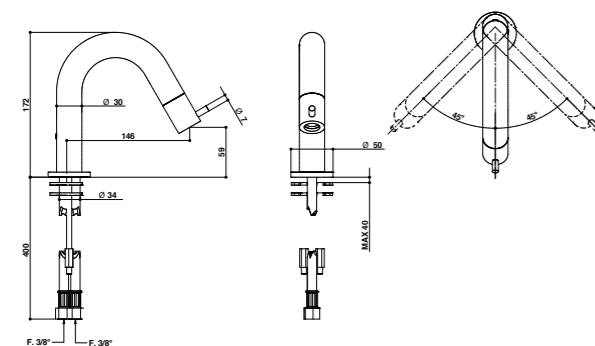


9390

70522/OM NEW

Miscelatore bidet girevole in acciaio spazzolato 316 e cartuccia progressiva inclusa nella bocca.

316 brushed stainless steel swivel bidet mixer with progressive cartridge placed in the spout.



ARTICOLO COMPLETO / COMPLETE ITEM

70522AS0M

AS

70522NE0M

NE

ABBINABILE A / TO MATCH WITH:

Sifone / Siphon - **70067AS00**Piletta clic-clac acciaio / Stainless steel clic-clac waste - **70071AS00**

RICAMBI / SPARE PARTS



9880



9390

FINITURE E COLORI / FINISHES AND COLOURS



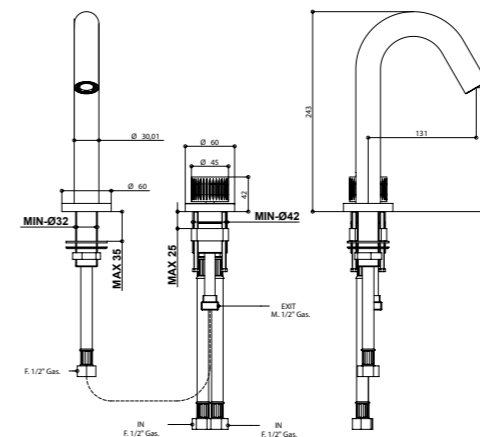
AS

NE

70502

Miscelatore 2 fori in acciaio spazzolato 316 e cartuccia progressiva.

316 brushed stainless steel 2 holes basin mixer with progressive cartridge.



ARTICOLO COMPLETO / COMPLETE ITEM

70502AS00

AS

70502NE00

NE

ABBINABILE A / TO MATCH WITH:

Sifone / Siphon - **70067AS00**Piletta clic-clac acciaio / Stainless steel clic-clac waste - **70071AS00**

RICAMBI / SPARE PARTS



9822

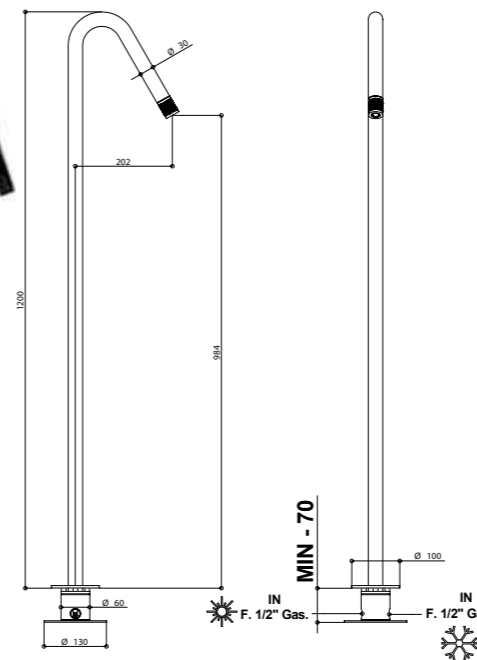


9391

70533 INOX

Miscelatore lavabo da terra in acciaio spazzolato 316 con cartuccia progressiva inclusa nella bocca.

316 brushed stainless steel floor mounted basin mixer with progressive cartridge placed in the spout.



ARTICOLO COMPLETO / COMPLETE ITEM

70533AS00

AS

70533NE00

NE

PARTE INCASSO
BUILT-IN PARTPARTE ESTERNA DA ABBINARE
EXTERNAL MATCHING PART

09698AS00

FINITURE / FINISHES

70533ASEU

AS

70533NEEU

NE

ABBINABILE A / TO MATCH WITH:

Sifone / Siphon - **70067AS00**Piletta clic-clac acciaio / Stainless steel clic-clac waste - **70071AS00**

RICAMBI / SPARE PARTS



9880



9390

ACCESSORI E RICAMBI / ACCESSORIES AND SPARE PARTS



PROLUNGA
MIXER EXTENSION



CARTUCCIA E VITONE
CARTRIDGE AND MECHANISM



AERATORE
AERATOR



FLESSIBILE
FLEXIBLE



DOCCETTA
HANDSHOWER



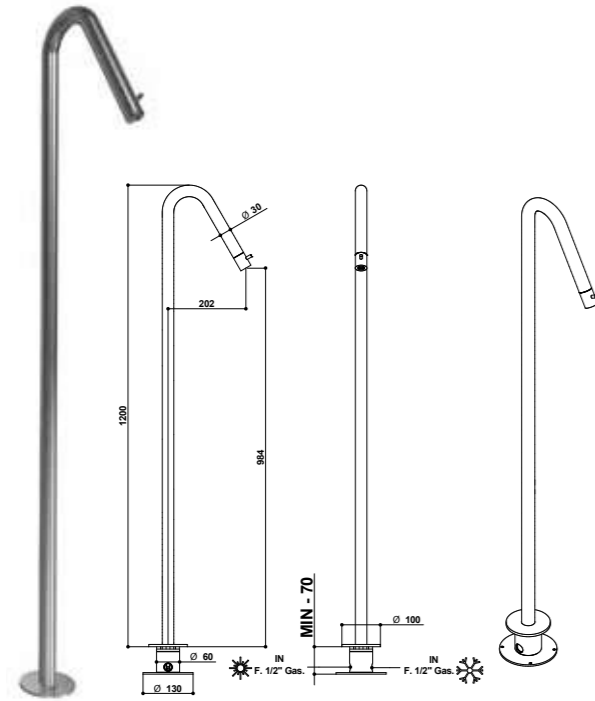
DEVIATORE
DIVERTER



70533/0M NEW

Miscelatore lavabo da terra in acciaio spazzolato 316 con cartuccia progressiva inclusa nella bocca.

316 brushed stainless steel floor mounted basin mixer with progressive cartridge placed in the spout.



ARTICOLO COMPLETO / COMPLETE ITEM

70533ASOM
AS

PARTE INCASSO
BUILT-IN PART

PARTE ESTERNA DA ABBINARE
EXTERNAL MATCHING PART

FINITURE / FINISHES

09698AS00

70533ASOMEU
AS

70533NEOMEU
NE

ABBINABILE A / TO MATCH WITH:

Sifone / Siphon - 70067AS00

Piletta clic-clac acciaio / Stainless steel clic-clac waste - 70071AS00

RICAMBI / SPARE PARTS



9880



9390

70538

Miscelatore lavabo incasso 220 mm. in acciaio spazzolato 316 con cartuccia progressiva inclusa nella bocca.

316 brushed stainless steel wall basin mixer 220 mms. with progressive cartridge placed in the spout.



ARTICOLO COMPLETO / COMPLETE ITEM

70538AS00
AS

PARTE INCASSO
BUILT-IN PART

PARTE ESTERNA DA ABBINARE
EXTERNAL MATCHING PART

FINITURE / FINISHES

09695AS00

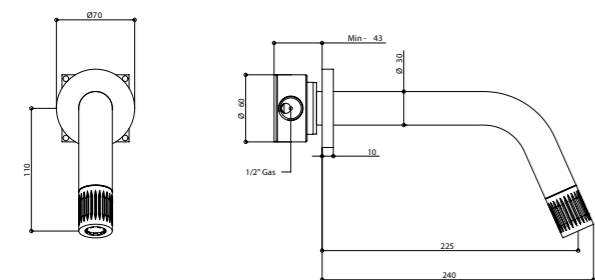
70538ASEU
AS

70538NEEU
NE

ABBINABILE A / TO MATCH WITH:

Sifone / Siphon - 70067AS00

Piletta clic-clac acciaio / Stainless steel clic-clac waste - 70071AS00



FINITURE E COLORI / FINISHES AND COLOURS



70538/0M NEW

Miscelatore lavabo incasso 220 mm. in acciaio spazzolato 316 con cartuccia progressiva inclusa nella bocca.

316 brushed stainless steel wall basin mixer 220 mms. with progressive cartridge placed in the spout.



ARTICOLO COMPLETO / COMPLETE ITEM

70538ASOM
AS

PARTE INCASSO
BUILT-IN PART

PARTE ESTERNA DA ABBINARE
EXTERNAL MATCHING PART

FINITURE / FINISHES

09695AS00

70538ASOMEU
AS

70538NEOMEU
NE

ABBINABILE A / TO MATCH WITH:

Sifone / Siphon - 70067AS00

Piletta clic-clac acciaio / Stainless steel clic-clac waste - 70071AS00

RICAMBI / SPARE PARTS



9880



9390

70538/0S NEW BOCCA SMALL Ø30 / SMALL SPOUT

Miscelatore lavabo incasso 180 mm. in acciaio spazzolato 316 con cartuccia progressiva inclusa nella bocca.

316 brushed stainless steel wall basin mixer 180 mms. with progressive cartridge placed in the spout.



ARTICOLO COMPLETO / COMPLETE ITEM

70538AS0S
AS

PARTE INCASSO
BUILT-IN PART

PARTE ESTERNA DA ABBINARE
EXTERNAL MATCHING PART

FINITURE / FINISHES

09695AS00

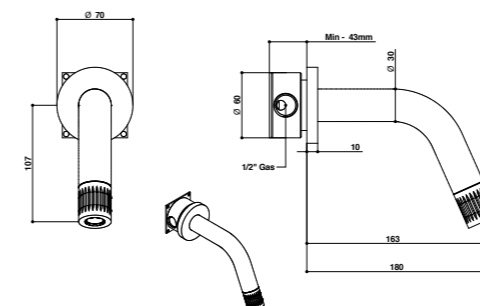
70538AS0SEU
AS

70538NE0SEU
NE

ABBINABILE A / TO MATCH WITH:

Sifone / Siphon - 70067AS00

Piletta clic-clac acciaio / Stainless steel clic-clac waste - 70071AS00



ACCESSORI E RICAMBI / ACCESSORIES AND SPARE PARTS



PROLUNGA
MIXER EXTENSION



CARTUCCIA E VITONE
CARTRIDGE AND MECHANISM



AERATORE
AERATOR



FLESSIBILE
FLEXIBLE



DOCCETTA
HANDSHOWER



DEVIATORE
DIVERTER



70538/MS NEW

Miscelatore lavabo incasso 180 mm. in acciaio spazzolato 316 con cartuccia progressiva inclusa nella bocca.

316 brushed stainless steel wall basin mixer 180 mms. with progressive cartridge placed in the spout.



ARTICOLO COMPLETO / COMPLETE ITEM

70538ASOMS
AS

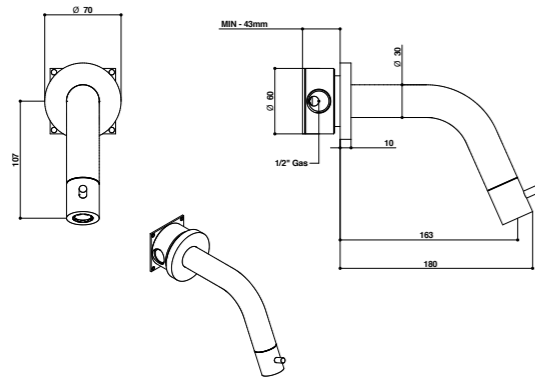
PARTE INCASSO BUILT-IN PART PARTE ESTERNA DA ABBINARE EXTERNAL MATCHING PART

FINITURE / FINISHES

09695AS00 70538ASOMSEU AS
70538NEOMSEU NE

ABBINABILE A / TO MATCH WITH:

Sifone / Siphon - 70067AS00
Piletta clic-clac acciaio / Stainless steel clic-clac waste - 70071AS00



RICAMBI / SPARE PARTS

9880 9390

70539

Miscelatore lavabo incasso con bocca da 220 mm. in acciaio spazzolato 316 e cartuccia progressiva nel comando remoto.

wall basin mixer with 220 mms. spout and remote control with progressive cartridge.



ARTICOLO COMPLETO / COMPLETE ITEM

70539AS00
AS

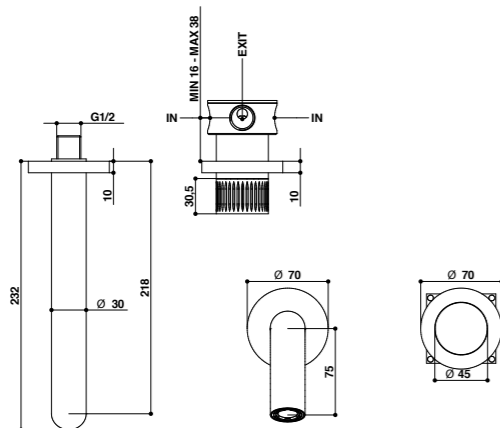
PARTE INCASSO BUILT-IN PART PARTE ESTERNA DA ABBINARE EXTERNAL MATCHING PART

FINITURE / FINISHES

09693AS00 70539ASEU AS
09693NE00 70539NEEU NE

ABBINABILE A / TO MATCH WITH:

Sifone / Siphon - 70067AS00
Piletta clic-clac acciaio / Stainless steel clic-clac waste - 70071AS00



PROLUNGA / MIXER EXTENSION

00099ASPR 00099NEPR

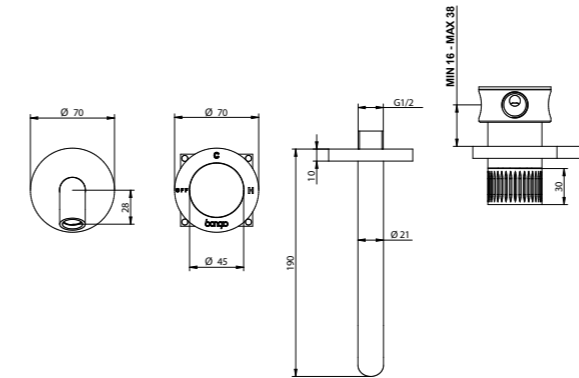
RICAMBI / SPARE PARTS

9822 9391

70539/OS NEW BOCCA SMALL Ø21 / SMALL SPOUT

Miscelatore lavabo incasso con bocca da 190 mm. in acciaio spazzolato 316 e cartuccia progressiva.

316 brushed stainless steel built-in basin mixer with 190 mms. spout and progressive cartridge.



ARTICOLO COMPLETO / COMPLETE ITEM

70539AS0S
AS

PARTE INCASSO BUILT-IN PART PARTE ESTERNA DA ABBINARE EXTERNAL MATCHING PART

FINITURE / FINISHES

09693AS00 70539AS0SEU AS
09693NE00 70539NE0SEU NE

ABBINABILE A / TO MATCH WITH:

Sifone / Siphon - 70067AS00
Piletta clic-clac acciaio / Stainless steel clic-clac waste - 70071AS00

PROLUNGA / MIXER EXTENSION

00099ASPR 00099NEPR

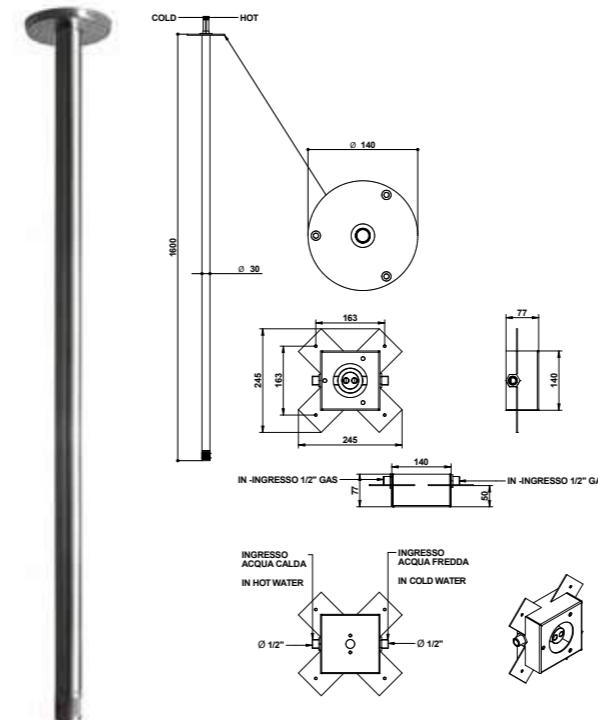
RICAMBI / SPARE PARTS

9822 9392

70977/M INOX

Bocca a soffitto in acciaio spazzolato 316 con miscelatore progressivo incluso nella bocca.

316 brushed stainless steel ceiling spout with progressive mixer placed in the spout.



ARTICOLO COMPLETO / COMPLETE ITEM

70977AS0M
AS

PARTE INCASSO BUILT-IN PART PARTE ESTERNA DA ABBINARE EXTERNAL MATCHING PART

FINITURE / FINISHES

9646AS 70977AS0MEU AS
70977NE0MEU NE

ABBINABILE A / TO MATCH WITH:

Sifone / Siphon - 70067AS00
Piletta clic-clac acciaio / Stainless steel clic-clac waste - 70071AS00

RICAMBI / SPARE PARTS

9880 9390

FINITURE E COLORI / FINISHES AND COLOURS



ACCESSORI E RICAMBI / ACCESSORIES AND SPARE PARTS



PROLUNGA
MIXER EXTENSION



CARTUCCIA E VITONE
CARTRIDGE AND MECHANISM



AERATORE
AERATOR



FLESSIBILE
FLEXIBLE



DOCCETTA
HANDSHOWER



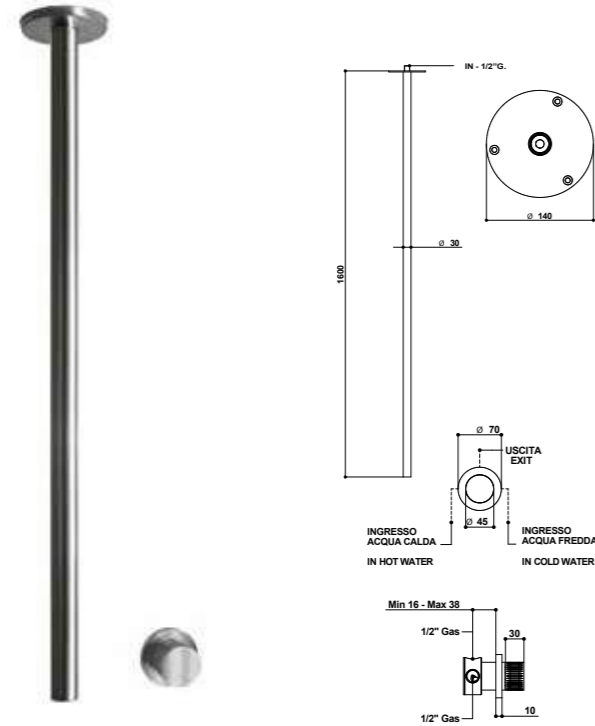
DEVIATORE
DIVERTER



70977/RM

Bocca a soffitto in acciaio spazzolato 316 con comando remoto a muro con cartuccia progressiva.

316 brushed stainless steel ceiling spout with built-in remote control with progressive cartridge.



ARTICOLO COMPLETO / COMPLETE ITEM

70977ASRM
AS

PARTE INCASSO
BUILT-IN PART

PARTE ESTERNA DA ABBINARE
EXTERNAL MATCHING PART

09693AS00
09693NE00

FINITURE / FINISHES

70977ASRMEU
AS

70977NERMEU
NE

ABBINABILE A / TO MATCH WITH:

Sifone / Siphon - 70067AS00
Piletta clic-clac acciaio / Stainless steel clic-clac waste - 70071AS00

PROLUNGA / MIXER EXTENSION

00099ASPR

00099NEPR

RICAMBI / SPARE PARTS

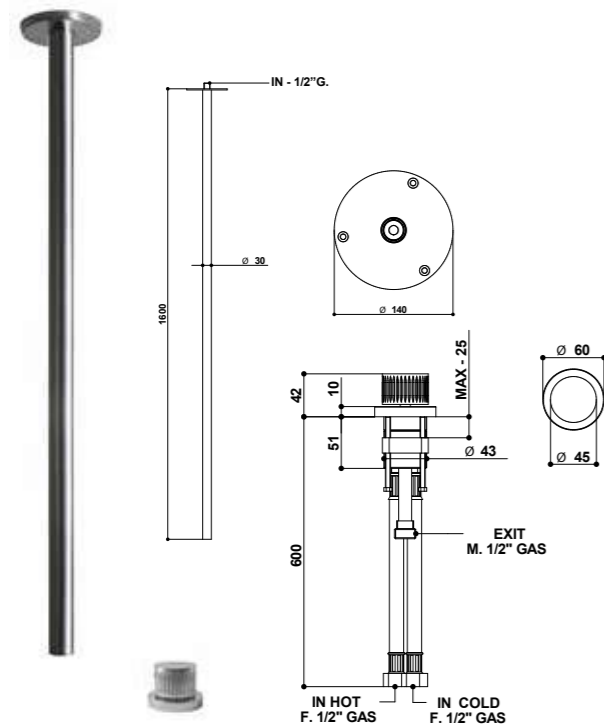
9822

9391

70977/RP INOX

Bocca a soffitto in acciaio spazzolato 316 con comando remoto a bordo piano con cartuccia progressiva.

316 brushed stainless steel ceiling spout with deck remote control with progressive cartridge.



ARTICOLO COMPLETO / COMPLETE ITEM

70977ASRP
AS

70977NERP
NE

ABBINABILE A / TO MATCH WITH:

Sifone / Siphon - 70067AS00
Piletta clic-clac acciaio / Stainless steel clic-clac waste - 70071AS00

RICAMBI / SPARE PARTS

9822

9391

FINITURE E COLORI / FINISHES AND COLOURS



70524

Miscelatore doccia incasso in acciaio spazzolato 316 con cartuccia progressiva.

316 brushed stainless steel built-in shower mixer with progressive cartridge.



ARTICOLO COMPLETO / COMPLETE ITEM

70524AS00
AS

PARTE INCASSO
BUILT-IN PART

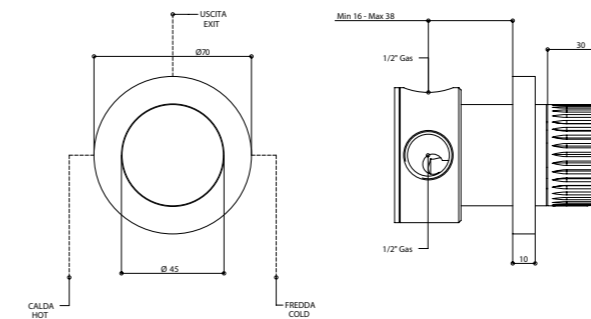
PARTE ESTERNA DA ABBINARE
EXTERNAL MATCHING PART

09693AS00
09693NE00

FINITURE / FINISHES

70524ASEU
AS

70524NEEU
NE



PROLUNGA / MIXER EXTENSION

00099ASPR

00099NEPR

RICAMBI / SPARE PARTS

9822

70544

Termostatico incasso coassiale in acciaio spazzolato 316.

316 brushed stainless steel built-in coaxial 1/2" thermostatic mixer.



ARTICOLO COMPLETO / COMPLETE ITEM

70544AS00
AS

PARTE INCASSO
BUILT-IN PART

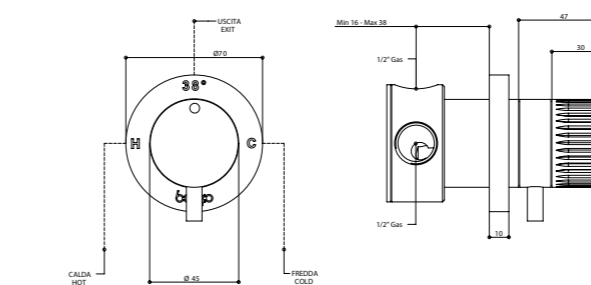
PARTE ESTERNA DA ABBINARE
EXTERNAL MATCHING PART

09697AS00
09697NE00

FINITURE / FINISHES

70544ASEU
AS

70544NEEU
NE



PROLUNGA / MIXER EXTENSION

00094ASPR

0094NEPR

RICAMBI / SPARE PARTS

9875

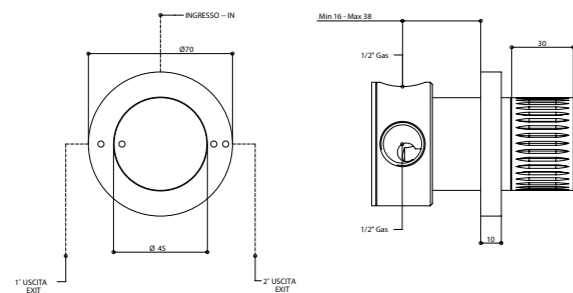
ACCESSORI E RICAMBI / ACCESSORIES AND SPARE PARTS





70525

Deviatore incasso 2 uscite (1 entrata - 2 uscite) in acciaio spazzolato 316. 316 brushed stainless steel 2 way (1 in - 2 out) diverter.



ARTICOLO COMPLETO / COMPLETE ITEM

70525AS00
AS

PARTE INCASSO
BUILT-IN PART

PARTE ESTERNA DA ABBINARE
EXTERNAL MATCHING PART

FINITURE / FINISHES

09696AS00
09696NE00

70525ASEU
AS

70525NEEU
NE

PROLUNGA / MIXER EXTENSION

00099ASPR

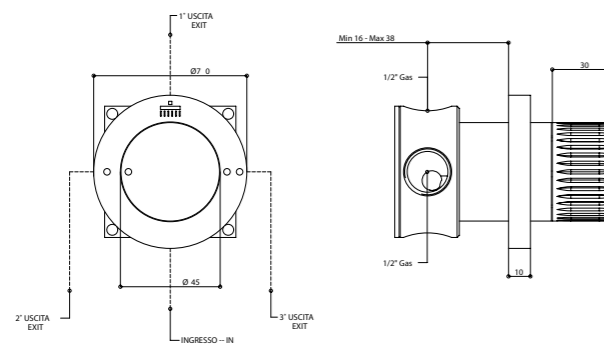
00099NEPR

RICAMBI / SPARE PARTS

9821

70525/3

Deviatore incasso 3 uscite (1 entrata - 3 uscite) in acciaio spazzolato 316. 316 brushed stainless steel 3 way (1 in - 3 out) diverter.



ARTICOLO COMPLETO / COMPLETE ITEM

70525AS03
AS

PARTE INCASSO
BUILT-IN PART

PARTE ESTERNA DA ABBINARE
EXTERNAL MATCHING PART

FINITURE / FINISHES

09696AS03
09696NE03

70525AS03EU
AS

70525NE03EU
NE

PROLUNGA / MIXER EXTENSION

00098ASPR

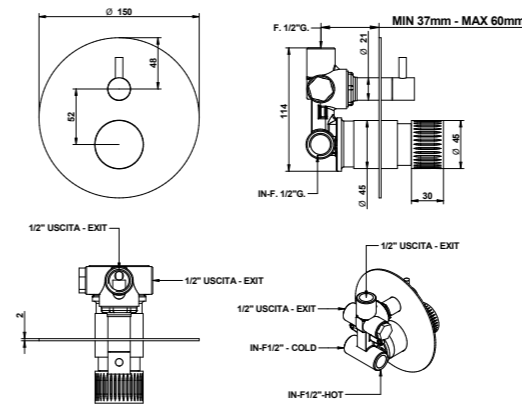
00098NEPR

RICAMBI / SPARE PARTS

9807

70519

Miscelatore doccia incasso in acciaio spazzolato 316 con deviatore meccanico a 2 uscite e cartuccia progressiva. 316 brushed stainless steel built-in mixer with 2 exits mechanical diverter and progressive cartridge.



ARTICOLO COMPLETO / COMPLETE ITEM

70519AS00
AS

PARTE INCASSO
BUILT-IN PART

PARTE ESTERNA DA ABBINARE
EXTERNAL MATCHING PART

FINITURE / FINISHES

9664AS
9664NE

70519ASEU
AS

70519NEEU
NE

Corpo incasso in ottone e parti esterne in acciaio inox 316. / Brass built-in part and 316 brushed stainless steel external parts.

PROLUNGA / MIXER EXTENSION

70102NSPRP3

OPTIONAL: Scatola incasso per cartongesso / Built-in box for drywall and cavity wall 09702PBOX

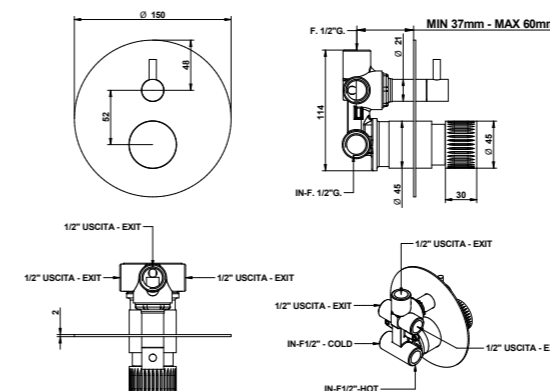
RICAMBI / SPARE PARTS

9822/70

9861

70519/3

Miscelatore doccia incasso in acciaio spazzolato 316 con deviatore meccanico a 3 uscite e cartuccia progressiva. 316 brushed stainless steel built-in mixer with 3 exits mechanical diverter and progressive cartridge.



ARTICOLO COMPLETO / COMPLETE ITEM

70519AS03
AS

PARTE INCASSO
BUILT-IN PART

PARTE ESTERNA DA ABBINARE
EXTERNAL MATCHING PART

FINITURE / FINISHES

9664AS03
9664NE03

70519AS03EU
AS

70519NE03EU
NE

Corpo incasso in ottone e parti esterne in acciaio inox 316. / Brass built-in part and 316 brushed stainless steel external parts.

PROLUNGA / MIXER EXTENSION

70102NSPRP3

OPTIONAL: Scatola incasso per cartongesso / Built-in box for drywall and cavity wall 09702PBOX

RICAMBI / SPARE PARTS

9822/70

09860

FINITURE E COLORI / FINISHES AND COLOURS



ACCESSORI E RICAMBI / ACCESSORIES AND SPARE PARTS

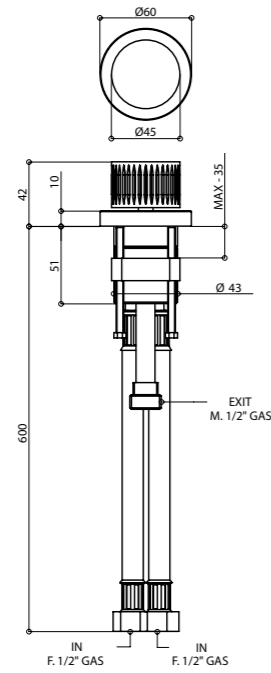




70520

Miscelatore bordo piano in acciaio spazzolato 316 con cartuccia progressiva.

316 brushed stainless mixer for deck installation with progressive cartridge.



ARTICOLO COMPLETO / COMPLETE ITEM

70520AS00
AS

70520NE00
NE

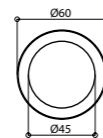
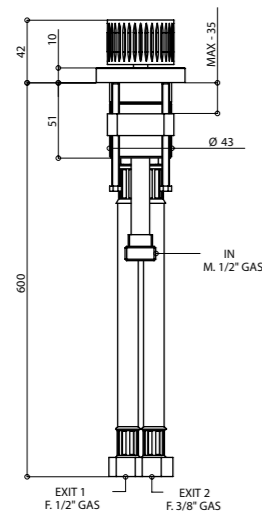
RICAMBI / SPARE PARTS

9822

70535

Deviatore bordo vasca 2 uscite (1 entrata - 2 uscite) in acciaio spazzolato 316.

316 brushed stainless steel 2 way (1 in - 2 out) deck bath diverter.



ARTICOLO COMPLETO / COMPLETE ITEM

70535AS00
AS

70535NE00
NE

RICAMBI / SPARE PARTS

9821

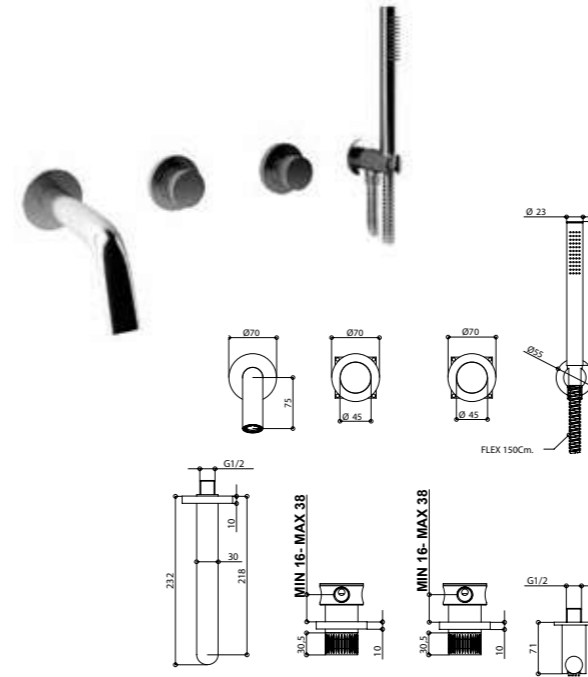
FINITURE E COLORI / FINISHES AND COLOURS



70530/D

Gruppo vasca incasso in acciaio spazzolato 316 con set doccia e cartuccia progressiva.

316 brushed stainless steel built-in bath & shower mixer with duplex shower set, and progressive cartridge.



ARTICOLO COMPLETO / COMPLETE ITEM

70530AS0D
AS

PARTE INCASSO
BUILT-IN PART

PARTE ESTERNA DA ABBINARE
EXTERNAL MATCHING PART

FINITURE / FINISHES

09691AS00
09691NE00

70530AS0DEU
AS

70530NE0DEU
NE

PROLUNGA / MIXER EXTENSION

00099ASPR Deviatore / Diverter	00099NEPR Deviatore / Diverter
00099ASPR Miscelatore / Mixer	00099NEPR Miscelatore / Mixer

RICAMBI / SPARE PARTS

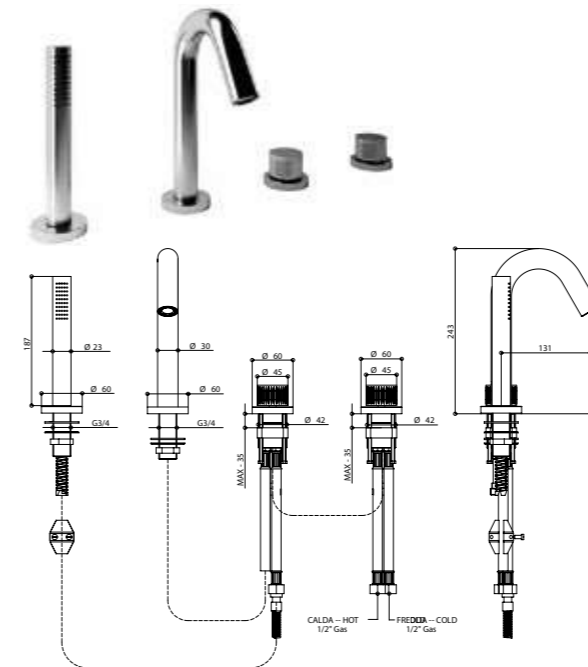
9822 *	9821 □
9391	9600ASPV
70850AS	

* Cartuccia miscelatore / Mixer cartridge
□ Cartuccia deviatrice / Diverter cartridge

70531/D

Miscelatore bordo vasca in acciaio spazzolato 316 con set doccia e cartuccia progressiva.

316 brushed stainless steel bath & shower mixer with shower set, and progressive cartridge.



ARTICOLO COMPLETO / COMPLETE ITEM

70531AS0D
AS

70531NE0D
NE

RICAMBI / SPARE PARTS

9822 *	9821 □
9391	9606AS
70850AS	

* Cartuccia miscelatore / Mixer cartridge
□ Cartuccia deviatrice / Diverter cartridge

ACCESSORI E RICAMBI / ACCESSORIES AND SPARE PARTS



PROLUNGA
MIXER EXTENSION



CARTUCCIA E VITONE
CARTRIDGE AND MECHANISM



AERATORE
AERATOR



FLESSIBILE
FLEXIBLE



DOCCETTA
HANDSHOWER



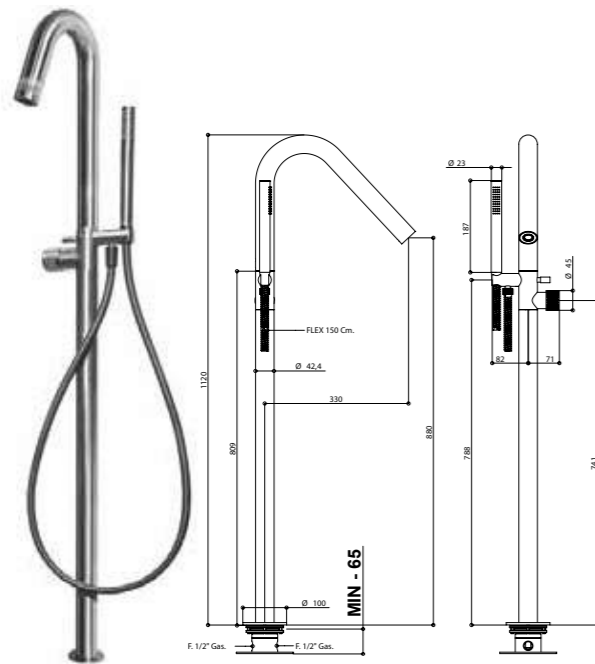
DEVIATORE
DIVERTER



70534/D

Miscelatore vasca da terra con cartuccia progressiva e set doccia in acciaio spazzolato 316.

316 brushed stainless steel floor mounted bath mixer with shower set and progressive cartridge.



ARTICOLO COMPLETO / COMPLETE ITEM

70534AS0D
AS

PARTE INCASSO
BUILT-IN PART

PARTE ESTERNA DA ABBINARE
EXTERNAL MATCHING PART

FINITURE / FINISHES

09744AS00

70534AS0DEU
AS

70534NE0DEU
NE

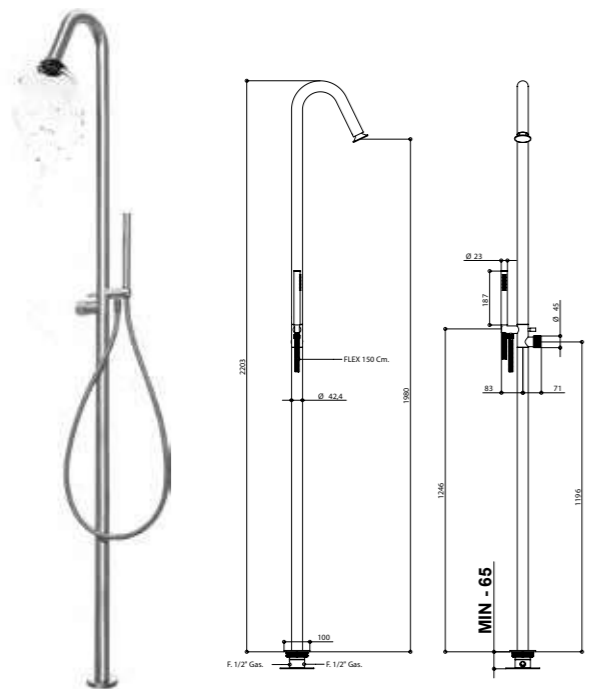
RICAMBI / SPARE PARTS

	9822		9391
	9600ASPV		70850AS
	00137AS		

70131/OD (71131 * - 73131 * - 69131 *)

Colonna doccia a pavimento in acciaio spazzolato 316 con miscelatore a cartuccia progressiva, deviatore, set doccia e regolazione effetto bolla acqua.

316 brushed stainless steel floor mounted shower column with progressive cartridge, diverter, shower set and flow regulation "bubble" effect.



ARTICOLO COMPLETO / COMPLETE ITEM

70131AS0D
AS

PARTE INCASSO
BUILT-IN PART

PARTE ESTERNA DA ABBINARE
EXTERNAL MATCHING PART

FINITURE / FINISHES

09744AS00

70131AS0DEU -
71131AS0DEU -
73131AS0DEU *
AS/AS/AS

70131NE0DEU
NE/NE

*Disponibile con cartuccia tradizionale e maniglia acciaio e teak / Available with traditional cartridge and steel and teak handle

Non disponibile in altre finiture. / Not available in other finishes.

Nelle varianti colore verniciate alcuni particolari saranno in finitura galvanica per garantire gli standard qualitativi. / To assure our quality standard on colored product, some details remain in galvanic finishes.

RICAMBI / SPARE PARTS

	9822 *		9896 □
	9600ASPV		70850AS
	00137AS		

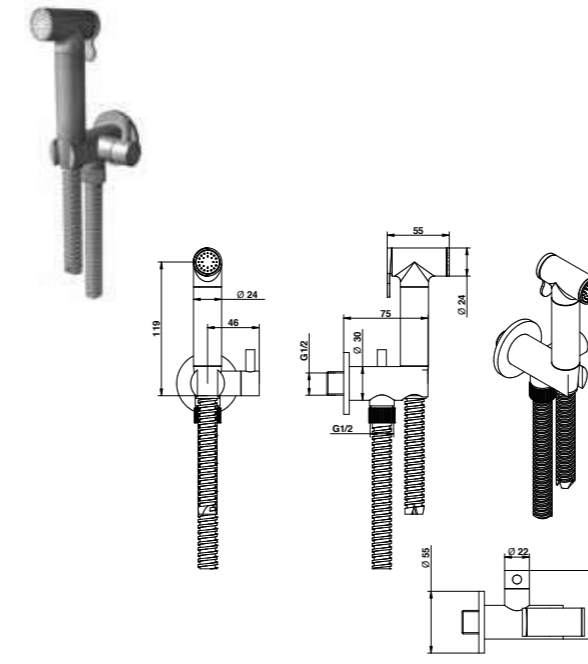
* Cartuccia progressiva / Progressive cartridge

□ Cartuccia tradizionale / Traditional cartridge

70904

Set doccia bidet a muro per wc in acciaio spazzolato 316 con presa acqua e rubinetto apri-chiudi.

316 brushed stainless steel shattaff shower set for wc with water supply and open-close tap.



ARTICOLO COMPLETO / COMPLETE ITEM

70904AS00
AS

Non disponibile in altre finiture. / Not available in other finishes.

ABBINABILE A / TO MATCH WITH:

Miscelatori / Mixer - 70524
Miscelatore / Mixer - 71524
Miscelatore / Mixer - 73524
Miscelatore / Mixer - 69524

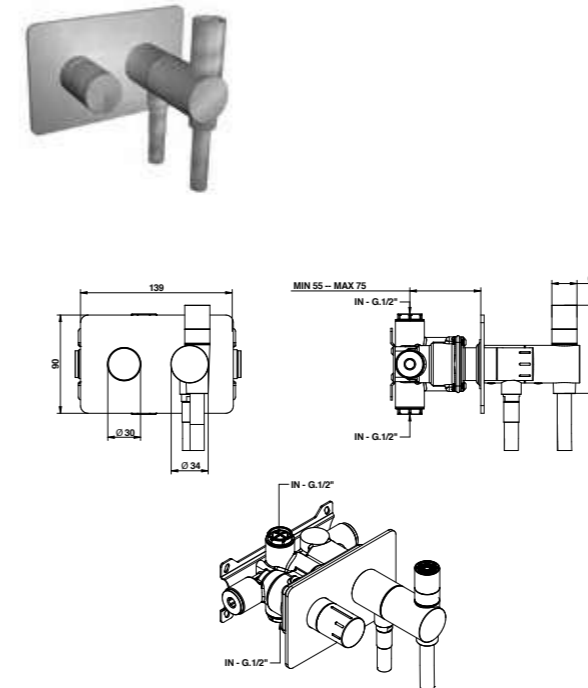
RICAMBI / SPARE PARTS

	70904VI00		70904ASDO
	9612ASPV		

70944 NEW

Termostatico incasso con doccetta multifunzione wc e idrocopino in acciaio spazzolato 316.

316 stainless steel thermostatic mixer with multifunctional handshower for both shattaff and hydrobrushes.



ARTICOLO COMPLETO / COMPLETE ITEM

70944AS00
AS

Non disponibile in altre finiture. / Not available in other finishes.

Ideale per zone wellness. / Ideal for wellness areas.

RICAMBI / SPARE PARTS

	70944CA00		70944ASDO
--	-----------	--	-----------

FINITURE E COLORI / FINISHES AND COLOURS



ACCESSORI E RICAMBI / ACCESSORIES AND SPARE PARTS

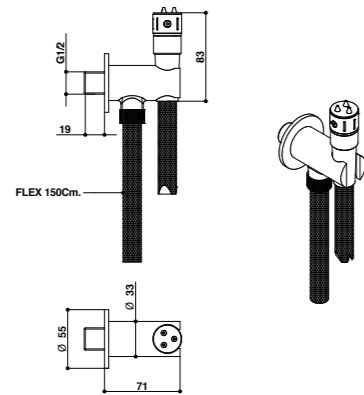




70904/ID NEW

Set idroscopio a muro per wc in acciaio spazzolato 316 con presa acqua e doccino apri-chiudi.

316 brushed stainless steel hydrobrushes toilet set for wc with water supply and open-close handshower.



ARTICOLO COMPLETO / COMPLETE ITEM

70904ASID
AS

Non disponibile in altre finiture. / Not available in other finishes.

RICAMBI / SPARE PARTS

70904ASDI *

* Completo di flessibile / With flexible

70071

Scarico in acciaio spazzolato 316, clic clac 1.1/4".

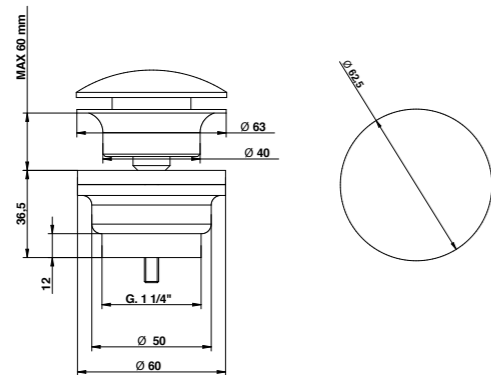
316 brushed stainless steel, clic clac 1.1/4" waste.



ARTICOLO COMPLETO / COMPLETE ITEM

70071AS00
AS

Non disponibile in altre finiture. / Not available in other finishes.

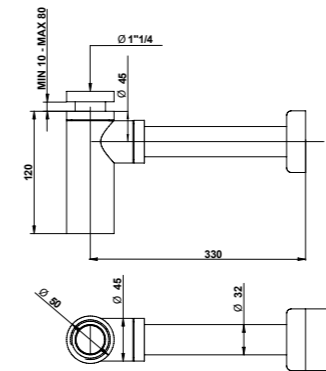
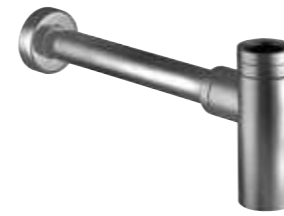


FINITURE E COLORI / FINISHES AND COLOURS



70067 NEW

Sifone 1.1/4" in acciaio spazzolato 316. 316 brushed stainless steel 1.1/4" siphon.



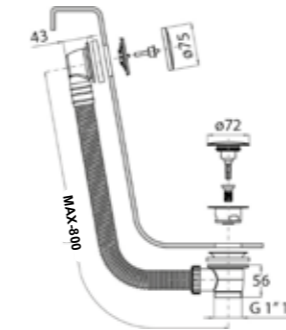
ARTICOLO COMPLETO / COMPLETE ITEM

70067AS00
AS

73062 NEW

Colonna scarico vasca con tappo clic-clac in acciaio spazzolato 316.

316 brushed steel automatic popup bathtub drain column with clic-clac waste.



ARTICOLO COMPLETO / COMPLETE ITEM

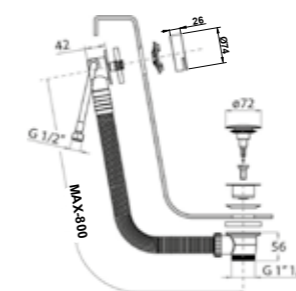
73062AS00
AS

Non disponibile in altre finiture. / Not available in other finishes.

73063 NEW

Colonna scarico vasca con erogazione dal troppopieno e tappo clic clac in acciaio spazzolato 316.

316 brushed steel automatic popup bathtub drain column with water inlet through overflow and clic clac waste.



ARTICOLO COMPLETO / COMPLETE ITEM

73063AS00
AS

Non disponibile in altre finiture. / Not available in other finishes.

ACCESSORI E RICAMBI / ACCESSORIES AND SPARE PARTS



PROLUNGA
MIXER EXTENSION



CARTUCCIA E VITONE
CARTRIDGE AND MECHANISM



AERATORE
AERATOR



FLESSIBILE
FLEXIBLE



DOCCETTA
HANDSHOWER



DEVIATORE
DIVERTER



TIME2020 T&LEVER

CARTUCCIA TRADIZIONALE / TRADITIONAL CARTRIDGE



Art. 71521AS00 - Art. 72532AS00

FINITURE E COLORI / FINISHES AND COLOURS



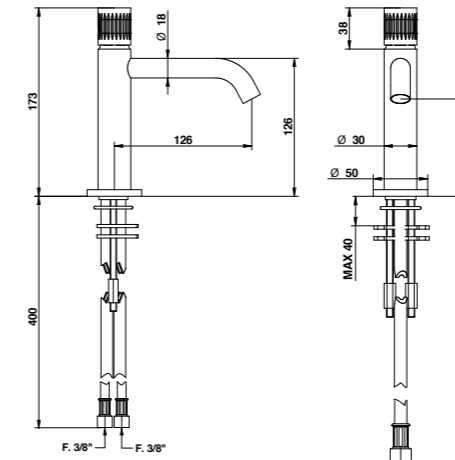
INOX 316 COLLECTION

TIME2020 contribuisce ai CREDITI LEED®. / TIME2020 contributes to meet LEED® CREDITS.
(Leadership in Energy and Environmental Design of the U.S. Green Building Council, GREEN BUILDING PROGRAM)

71521

Miscelatore lavabo in acciaio spazzolato 316 con cartuccia tradizionale.

316 brushed stainless steel basin mixer with traditional cartridge.



ARTICOLO COMPLETO / COMPLETE ITEM

71521AS00
AS

ABBINABILE A / TO MATCH WITH:

Sifone / Siphon - **70067AS00**

Piletta clic-clac acciaio / Stainless steel clic-clac waste - **70071AS00**

RICAMBI / SPARE PARTS



9895

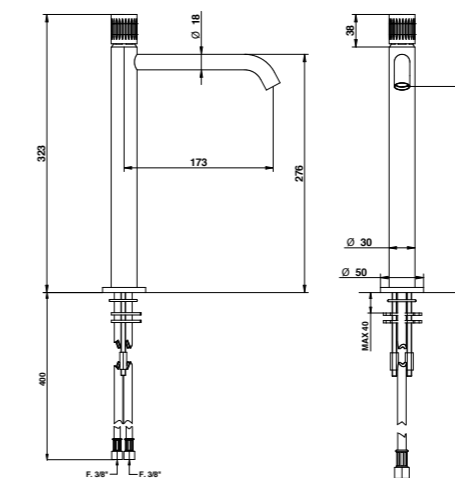
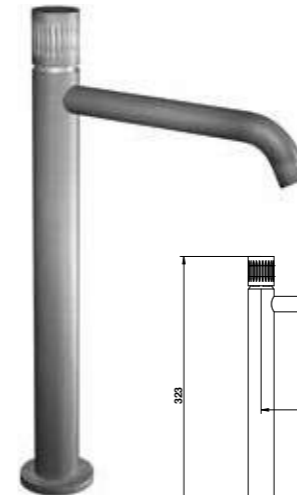


9392

71532

Miscelatore lavabo alto con bocca lunga in acciaio spazzolato 316 e cartuccia tradizionale.

316 brushed stainless steel high basin mixer with long spout and traditional cartridge.



ARTICOLO COMPLETO / COMPLETE ITEM

71532AS00
AS

ABBINABILE A / TO MATCH WITH:

Sifone / Siphon - **70067AS00**

Piletta clic-clac acciaio / Stainless steel clic-clac waste - **70071AS00**

RICAMBI / SPARE PARTS



9895



9392

ACCESSORI E RICAMBI / ACCESSORIES AND SPARE PARTS



PROLUNGA
MIXER EXTENSION



CARTUCCIA E VITONE
CARTRIDGE AND MECHANISM



AERATORE
AERATOR



FLESSIBILE
FLEXIBLE



DOCCETTA
HANDSHOWER



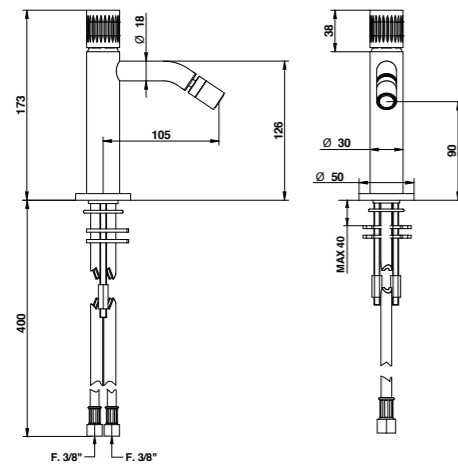
DEVIATORE
DIVERTER



71522

Miscelatore bidet in acciaio spazzolato 316 con cartuccia tradizionale.

316 brushed stainless steel bidet mixer with traditional cartridge.



ARTICOLO COMPLETO / COMPLETE ITEM

71522AS00
AS

ABBINABILE A / TO MATCH WITH:

Sifone / Siphon - 70067AS00

Piletta clic-clac acciaio / Stainless steel clic-clac waste - 70071AS00

RICAMBI / SPARE PARTS



9895

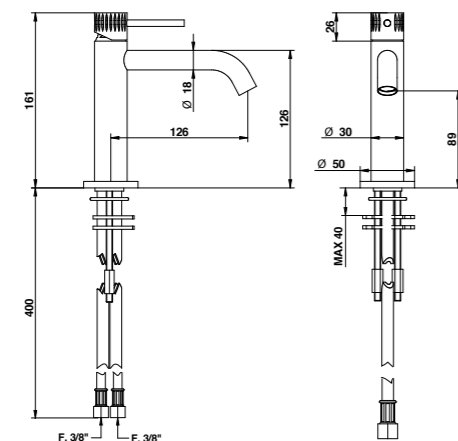


9393

72521

Miscelatore lavabo in acciaio spazzolato 316 con cartuccia tradizionale.

316 brushed stainless steel basin mixer and traditional cartridge.



ARTICOLO COMPLETO / COMPLETE ITEM

72521AS00
AS

ABBINABILE A / TO MATCH WITH:

Sifone / Siphon - 70067AS00

Piletta clic-clac acciaio / Stainless steel clic-clac waste - 70071AS00

RICAMBI / SPARE PARTS



9870

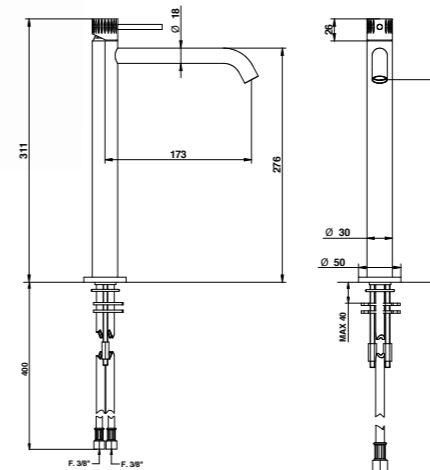


9392

72532

Miscelatore lavabo alto con bocca lunga in acciaio spazzolato 316 e cartuccia tradizionale.

316 brushed stainless steel high basin mixer with long spout and traditional cartridge.



ARTICOLO COMPLETO / COMPLETE ITEM

72532AS00
AS

ABBINABILE A / TO MATCH WITH:

Sifone / Siphon - 70067AS00

Piletta clic-clac acciaio / Stainless steel clic-clac waste - 70071AS00

RICAMBI / SPARE PARTS



9870

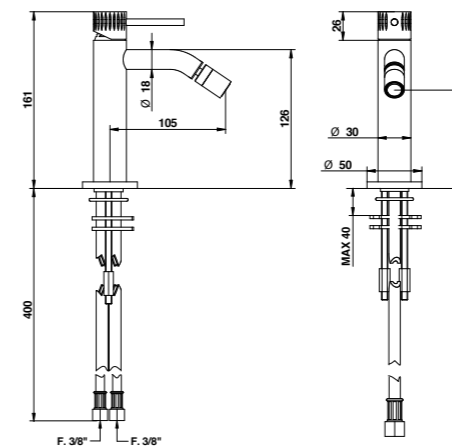


9392

72522

Miscelatore bidet in acciaio spazzolato 316 con cartuccia tradizionale.

316 brushed stainless steel bidet mixer with traditional cartridge.



ARTICOLO COMPLETO / COMPLETE ITEM

72522AS00
AS

ABBINABILE A / TO MATCH WITH:

Sifone / Siphon - 70067AS00

Piletta clic-clac acciaio / Stainless steel clic-clac waste - 70071AS00

RICAMBI / SPARE PARTS



9870



9393

FINITURE E COLORI / FINISHES AND COLOURS



ACCESSORI E RICAMBI / ACCESSORIES AND SPARE PARTS



PROLUNGA
MIXER EXTENSION



CARTUCCIA E VITONE
CARTRIDGE AND MECHANISM



AERATORE
AERATOR



FLESSIBILE
FLEXIBLE



DOCCETTA
HANDSHOWER



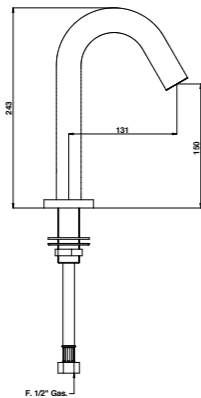
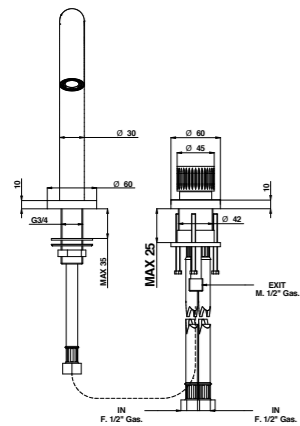
DEVIATORE
DIVERTER



71502

Gruppo lavabo bordo piano 2 fori in acciaio spazzolato 316 con cartuccia tradizionale.

Gruppo lavabo bordo piano 2 fori in acciaio spazzolato 316 con cartuccia tradizionale.



ARTICOLO COMPLETO / COMPLETE ITEM

71502AS00
AS

ABBINABILE A / TO MATCH WITH:

Sifone / Siphon - 70067AS00

Piletta clic-clac acciaio / Stainless steel clic-clac waste - 70071AS00

RICAMBI / SPARE PARTS



9896

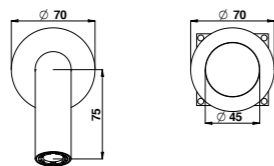
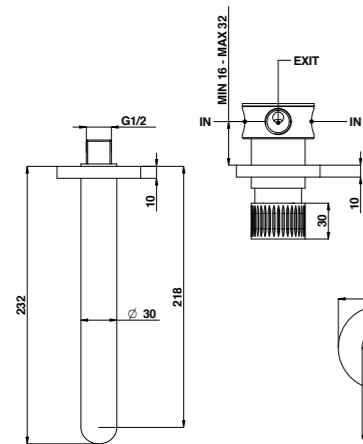


9391

71539

Miscelatore lavabo incasso con bocca da 230 mm. in acciaio spazzolato 316 e cartuccia tradizionale.

316 brushed stainless steel built-in basin mixer with 230 mm. spout and traditional cartridge.



ARTICOLO COMPLETO / COMPLETE ITEM

71539AS00
AS

PARTE INCASSO
BUILT-IN PART

PARTE ESTERNA DA ABBINARE
EXTERNAL MATCHING PART

FINITURE / FINISHES

09689AS00

71539ASEU
AS

ABBINABILE A / TO MATCH WITH:

Sifone / Siphon - 70067AS00

Piletta clic-clac acciaio / Stainless steel clic-clac waste - 70071AS00

PROLUNGA / MIXER EXTENSION



00096ASPR

RICAMBI / SPARE PARTS



9896



9391

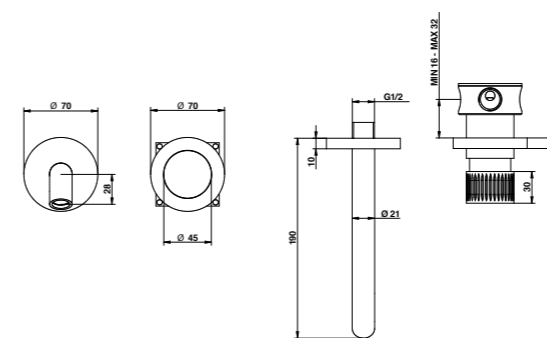
FINITURE E COLORI / FINISHES AND COLOURS



71539/0S BOCCA SMALL Ø21 / SMALL SPOUT

Miscelatore lavabo incasso con bocca da 190 mm. in acciaio spazzolato 316 e cartuccia tradizionale.

316 brushed stainless steel built-in basin mixer with 190 mms. spout and traditional cartridge.



ARTICOLO COMPLETO / COMPLETE ITEM

71539AS0S
AS

PARTE INCASSO
BUILT-IN PART

PARTE ESTERNA DA ABBINARE
EXTERNAL MATCHING PART

FINITURE / FINISHES

09689AS00

71539AS0SEU
AS

ABBINABILE A / TO MATCH WITH:

Sifone / Siphon - 70067AS00

Piletta clic-clac acciaio / Stainless steel clic-clac waste - 70071AS00

PROLUNGA / MIXER EXTENSION



00096ASPR

RICAMBI / SPARE PARTS



9896

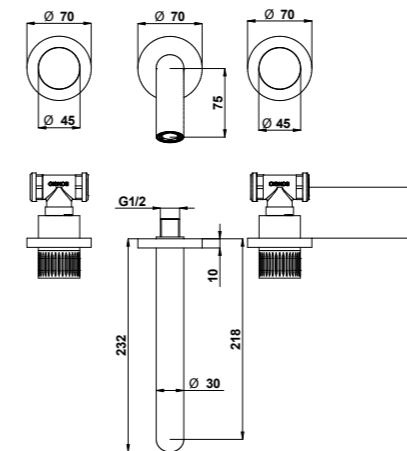


9392

71540

Gruppo lavabo a parete con bocca da 232 mm. in acciaio spazzolato 316.

316 brushed stainless steel wall basin mixer with 232 mms. spout.



ARTICOLO COMPLETO / COMPLETE ITEM

71540AS00
AS

PARTE INCASSO
BUILT-IN PART

PARTE ESTERNA DA ABBINARE
EXTERNAL MATCHING PART

FINITURE / FINISHES

09688

71540ASEU
AS

ABBINABILE A / TO MATCH WITH:

Sifone / Siphon - 70067AS00

Piletta clic-clac acciaio / Stainless steel clic-clac waste - 70071AS00

PROLUNGA / MIXER EXTENSION



00093ASPR

RICAMBI / SPARE PARTS



9792 *



9792 □



9391

* Calda / Hot
□ Fredda / Cold

ACCESSORI E RICAMBI / ACCESSORIES AND SPARE PARTS



PROLUNGA
MIXER EXTENSION



CARTUCCIA E VITONE
CARTRIDGE AND MECHANISM



AERATORE
AERATOR



FLESSIBILE
FLEXIBLE



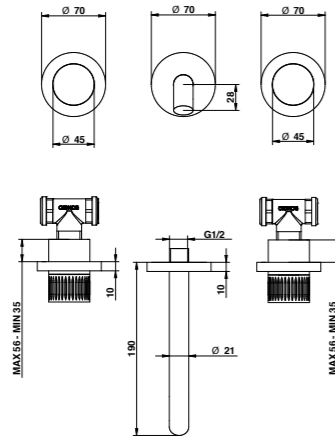
DOCCETTA
HANDSHOWER



DEVIATORE
DIVERTER


71540/0S NEW BOCCA SMALL Ø21 / SMALL SPOUT

Guppo lavabo a parete con bocca da 190 mm. in acciaio spazzolato 316. 316 brushed stainless steel wall basing mixer 190 mms. spout.


ARTICOLO COMPLETO / COMPLETE ITEM
71540AS0S
AS

PARTE INCASSO BUILT-IN PART	PARTE ESTERNA DA ABBINARE EXTERNAL MATCHING PART

FINITURE / FINISHES

09688

71540ASEU
AS

ABBINABILE A / TO MATCH WITH:

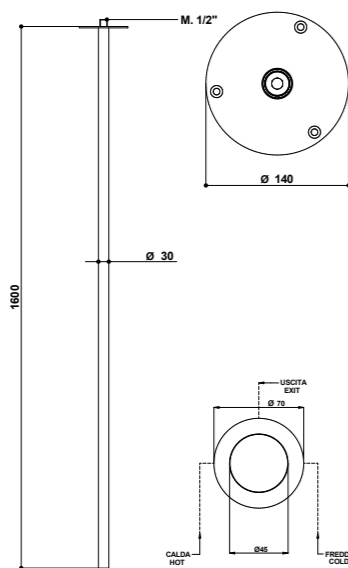
Sifone / Siphon - **70067AS00**
Piletta clic-clac acciaio / Stainless steel clic-clac waste - **70071AS00**

PROLUNGA / MIXER EXTENSION
00093ASPR
RICAMBI / SPARE PARTS
9792 *
9792 □
9392

* Calda / Hot
□ Fredda / Cold

71977/RM

Bocca a soffitto in acciaio spazzolato 316 con comando remoto a muro con cartuccia tradizionale. 316 brushed stainless steel ceiling spout with built-in remote control with traditional cartridge.


ARTICOLO COMPLETO / COMPLETE ITEM
71977ASRM
AS

PARTE INCASSO BUILT-IN PART	PARTE ESTERNA DA ABBINARE EXTERNAL MATCHING PART

FINITURE / FINISHES

09689AS00

71977ASRMEU
AS

ABBINABILE A / TO MATCH WITH:

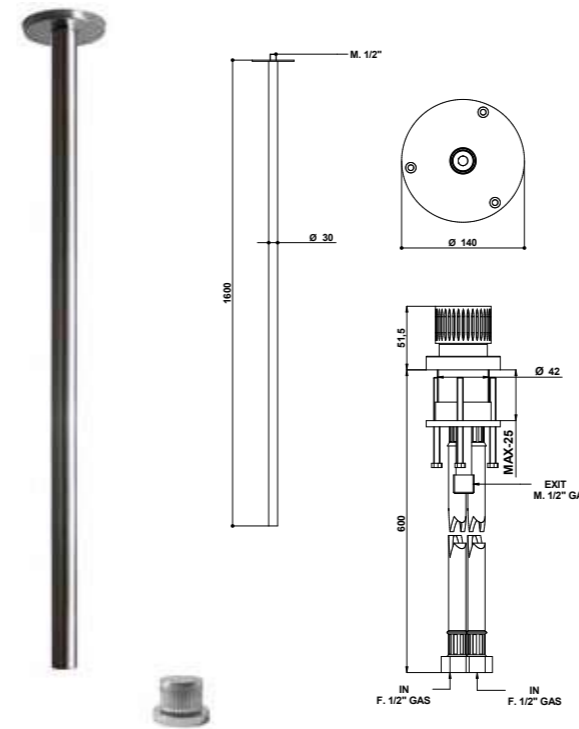
Sifone / Siphon - **70067AS00**
Piletta clic-clac acciaio / Stainless steel clic-clac waste - **70071AS00**

PROLUNGA / MIXER EXTENSION
00096ASPR
RICAMBI / SPARE PARTS
9896
9391
FINITURE E COLORI / FINISHES AND COLOURS

71977/RP

Bocca a soffitto in acciaio spazzolato 316 con comando remoto bordo piano con cartuccia tradizionale.

316 brushed stainless steel ceiling spout with deck remote control with traditional cartridge.


ARTICOLO COMPLETO / COMPLETE ITEM
71977ASRP
AS

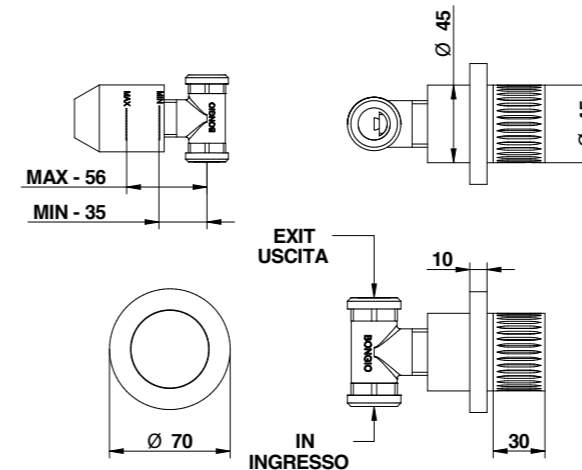
ABBINABILE A / TO MATCH WITH:

Sifone / Siphon - **70067AS00**
Piletta clic-clac acciaio / Stainless steel clic-clac waste - **70071AS00**

RICAMBI / SPARE PARTS
9896
9391
71500 NEW

Rubinetti incasso 1/2" in acciaio spazzolato 316.

316 brushed stainless steel 1/2" built-in tap.


ARTICOLO COMPLETO / COMPLETE ITEM
71500AS00
AS

PARTE INCASSO BUILT-IN PART	PARTE ESTERNA DA ABBINARE EXTERNAL MATCHING PART

FINITURE / FINISHES

09686AS00

71500ASEU
AS

PROLUNGA / MIXER EXTENSION
00093AS01PR
RICAMBI / SPARE PARTS
9792 *
9792 □

* Calda / Hot
□ Fredda / Cold

ACCESSORI E RICAMBI / ACCESSORIES AND SPARE PARTS




71524

Miscelatore doccia incasso in acciaio spazzolato 316 con cartuccia tradizionale. 316 brushed stainless steel built-in shower mixer with traditional cartridge.

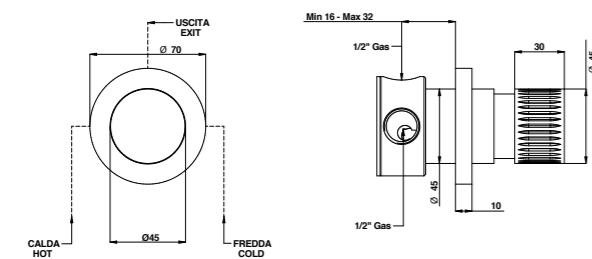


ARTICOLO COMPLETO / COMPLETE ITEM

71524AS00
ASPARTE INCASSO
BUILT-IN PARTPARTE ESTERNA DA ABBINARE
EXTERNAL MATCHING PART

FINITURE / FINISHES

09689AS00

71524ASEU
AS

PROLUNGA / MIXER EXTENSION



00096ASPR

RICAMBI / SPARE PARTS



9896

70544

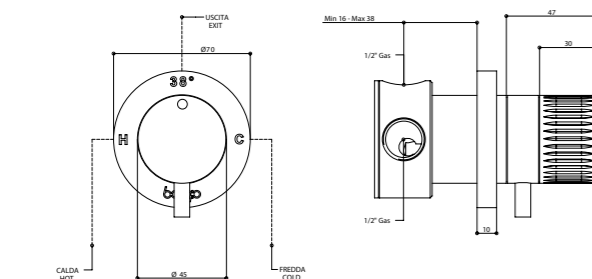
Termostatico incasso coassiale in acciaio spazzolato 316. 316 brushed stainless steel built-in coaxial 1/2" thermostatic mixer.



ARTICOLO COMPLETO / COMPLETE ITEM

70544AS00
ASPARTE INCASSO
BUILT-IN PARTPARTE ESTERNA DA ABBINARE
EXTERNAL MATCHING PART

FINITURE / FINISHES

09697AS00
09697NE0070544ASEU
AS70544NEEU
NE

PROLUNGA / MIXER EXTENSION



00094ASPR



0094NEPR

RICAMBI / SPARE PARTS



9875

FINITURE E COLORI / FINISHES AND COLOURS



71525 NEW

Deviatore incasso 2 uscite (1 entrata - 2 uscite) in acciaio spazzolato 316. 316 brushed stainless steel 2 way (1 in - 2 out) diverter.

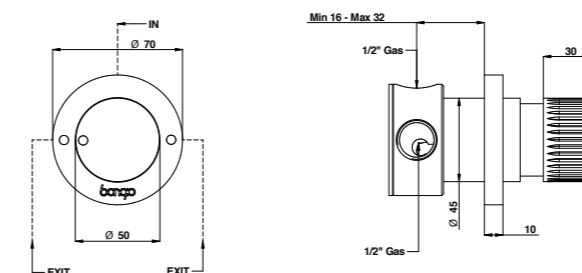


ARTICOLO COMPLETO / COMPLETE ITEM

71525AS00
ASPARTE INCASSO
BUILT-IN PARTPARTE ESTERNA DA ABBINARE
EXTERNAL MATCHING PART

FINITURE / FINISHES

09696AS71

71525ASEU
AS

PROLUNGA / MIXER EXTENSION



00096ASPR

RICAMBI / SPARE PARTS



9821

70525/3

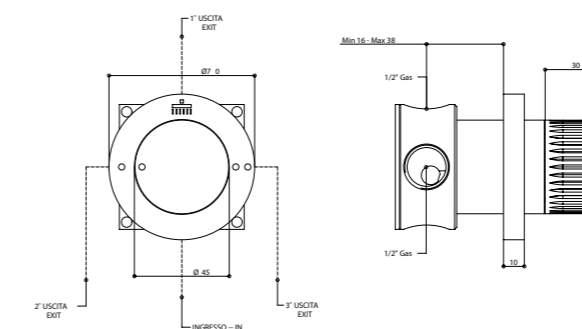
Deviatore incasso 3 uscite (1 entrata - 3 uscite) in acciaio spazzolato 316. 316 brushed stainless steel 3 way (1 in - 3 out) diverter.



ARTICOLO COMPLETO / COMPLETE ITEM

70525AS03
ASPARTE INCASSO
BUILT-IN PARTPARTE ESTERNA DA ABBINARE
EXTERNAL MATCHING PART

FINITURE / FINISHES

09696AS03
09696NE0370525AS03EU
AS70525NE03EU
NE

PROLUNGA / MIXER EXTENSION



00098ASPR



00098NEPR

RICAMBI / SPARE PARTS



9807

ACCESSORI E RICAMBI / ACCESSORIES AND SPARE PARTS

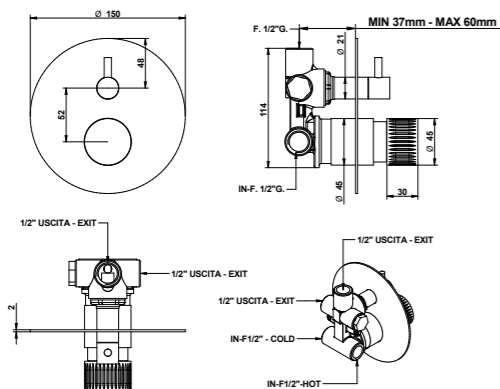
PROLUNGA
MIXER EXTENSIONCARTUCCIA E VITONE
CARTRIDGE AND MECHANISMAERATORE
AERATORFLESSIBILE
FLEXIBLEDOCCETTA
HANDSHOWERDEVIATORE
DIVERTER



71519

Miscelatore doccia incasso in acciaio spazzolato 316 con deviatore meccanico a 2 uscite e cartuccia tradizionale.

316 brushed stainless steel built-in mixer with 2 exits mechanical diverter and traditional cartridge.



ARTICOLO COMPLETO / COMPLETE ITEM

71519AS00
AS

PARTE INCASSO
BUILT-IN PART

PARTE ESTERNA DA ABBINARE
EXTERNAL MATCHING PART

FINITURE / FINISHES

9663AS

71519ASEU
AS

Corpo incasso in ottone e parti esterne in acciaio inox 316. / Brass built-in part and 316 brushed stainless steel external parts.

PROLUNGA / MIXER EXTENSION

70102NSRP3

OPTIONAL: Scatola incasso per cartongesso / Built-in box for drywall and cavity wall **09702PBOX**

RICAMBI / SPARE PARTS

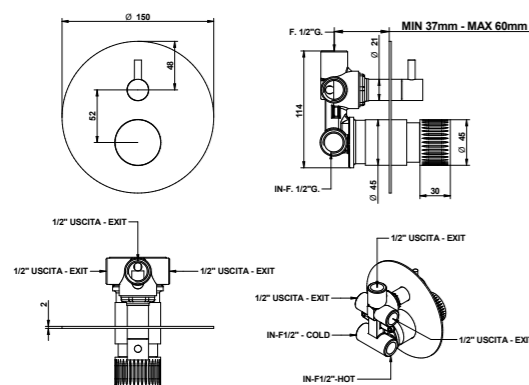
9813/71

09860

71519/3

Miscelatore doccia incasso in acciaio spazzolato 316 con deviatore meccanico a 3 uscite e cartuccia tradizionale.

316 brushed stainless steel built-in mixer with 3 exits mechanical diverter and traditional cartridge.



ARTICOLO COMPLETO / COMPLETE ITEM

71519AS03
AS

PARTE INCASSO
BUILT-IN PART

PARTE ESTERNA DA ABBINARE
EXTERNAL MATCHING PART

FINITURE / FINISHES

9663AS03

71519AS03EU
AS

Corpo incasso in ottone e parti esterne in acciaio inox 316. / Brass built-in part and 316 brushed stainless steel external parts.

PROLUNGA / MIXER EXTENSION

70102NSRP3

OPTIONAL: Scatola incasso per cartongesso / Built-in box for drywall and cavity wall **09702PBOX**

RICAMBI / SPARE PARTS

9813/71

09860

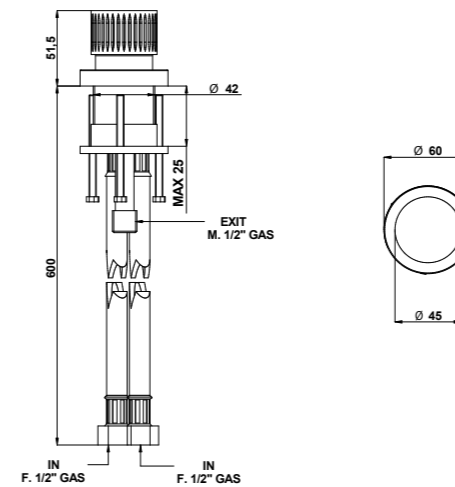
FINITURE E COLORI / FINISHES AND COLOURS



71520

Miscelatore bordo piano in acciaio spazzolato 316 con cartuccia tradizionale.

316 brushed stainless steel mixer for deck installation with traditional cartridge.



ARTICOLO COMPLETO / COMPLETE ITEM

71520AS00
AS

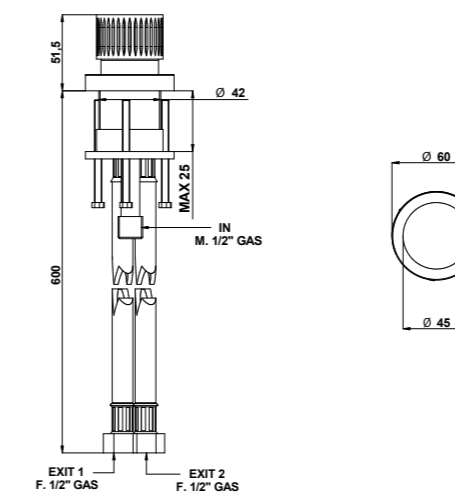
RICAMBI / SPARE PARTS

9896

71535

Deviatore bordo vasca 2 uscite (1 entrata - 2 uscite) in acciaio spazzolato 316.

316 brushed stainless steel 2 way (1 in - 2 out) deck bath diverter.



ARTICOLO COMPLETO / COMPLETE ITEM

71535AS00
AS

RICAMBI / SPARE PARTS

9821

ACCESSORI E RICAMBI / ACCESSORIES AND SPARE PARTS



PROLUNGA
MIXER EXTENSION



CARTUCCIA E VITONE
CARTRIDGE AND MECHANISM



AERATORE
AERATOR



FLESSIBILE
FLEXIBLE



DOCCETTA
HANDSHOWER



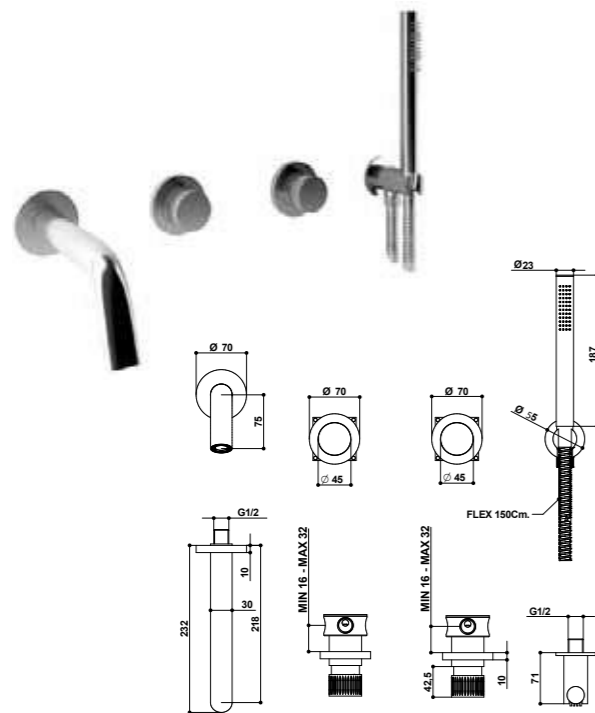
DEVIATORE
DIVERTER



71530/D

Gruppo vasca incasso con set doccia in acciaio spazzolato 316 e cartuccia tradizionale.

316 brushed stainless steel built-in bath & shower mixer with duplex shower set and traditional cartridge.



ARTICOLO COMPLETO / COMPLETE ITEM

71530AS0D
AS

PARTE INCASSO BUILT-IN PART	PARTE ESTERNA DA ABBINARE EXTERNAL MATCHING PART
--------------------------------	---

FINITURE / FINISHES

09687AS00	71530AS0DEU AS
-----------	-------------------

PROLUNGA / MIXER EXTENSION

00096ASPR Deviatore / Diverter	00096ASPR Miscelatore / Mixer
--------------------------------------	-------------------------------------

RICAMBI / SPARE PARTS

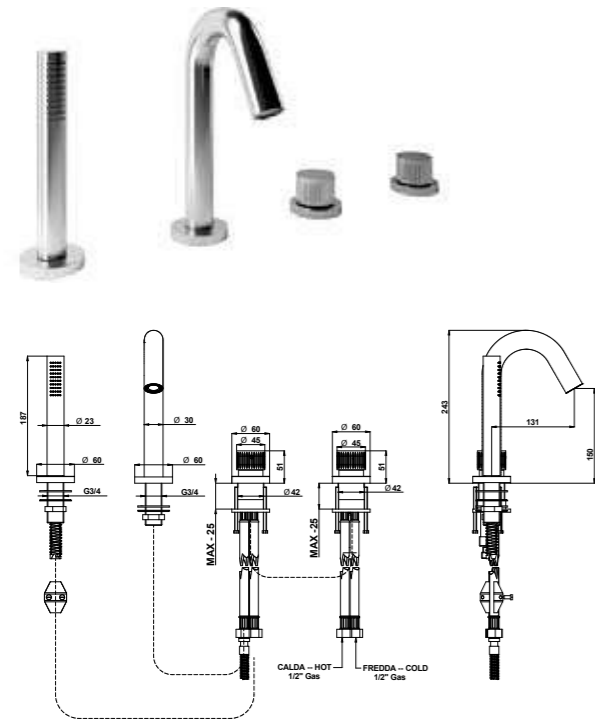
9896 *	9821 ◻
9391	09600ASPV
70850AS	

* Cartuccia miscelatore / Mixer cartridge
◻ Cartuccia deviatrice / Diverter cartridge

71531/D

Miscelatore bordo vasca in acciaio spazzolato 316 con set doccia e cartuccia tradizionale.

316 brushed stainless steel four holes deck bath and shower mixer with duplex shower set and traditional cartridge.



ARTICOLO COMPLETO / COMPLETE ITEM

71531AS0D
AS

PARTE INCASSO BUILT-IN PART	PARTE ESTERNA DA ABBINARE EXTERNAL MATCHING PART
--------------------------------	---

FINITURE / FINISHES

09744AS00	71131AS0DEU AS
-----------	-------------------

RICAMBI / SPARE PARTS

9896 *	9821 ◻
9391	09606AS
70850AS	

* Cartuccia miscelatore / Mixer cartridge
◻ Cartuccia deviatrice / Diverter cartridge

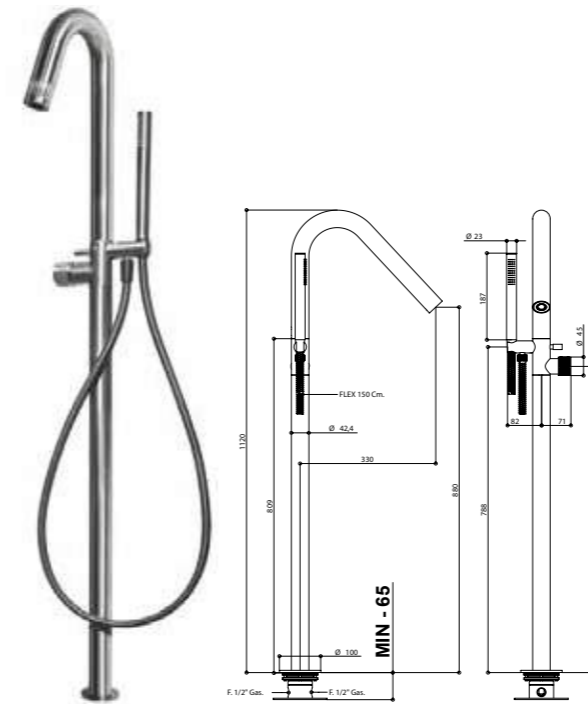
FINITURE E COLORI / FINISHES AND COLOURS



71534/D

Miscelatore vasca da terra in acciaio spazzolato 316 con cartuccia tradizionale e set doccia.

316 brushed stainless steel floor mounted bath mixer with traditional cartridge and handshower set.



ARTICOLO COMPLETO / COMPLETE ITEM

71534AS0D
AS

PARTE INCASSO BUILT-IN PART	PARTE ESTERNA DA ABBINARE EXTERNAL MATCHING PART
--------------------------------	---

FINITURE / FINISHES

09744AS00	71534AS0DEU AS
-----------	-------------------

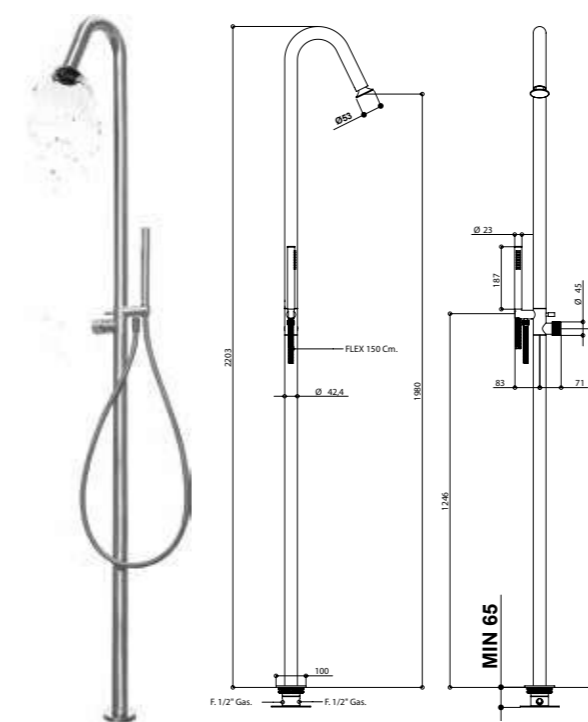
RICAMBI / SPARE PARTS

9896	9391
09600ASPV	70850AS
00137AS	

71131/D

Colonna doccia a pavimento in acciaio spazzolato 316 con miscelatore a cartuccia tradizionale deviatore, set doccia e regolazione effetto bolla acqua.

316 brushed stainless steel floor mounted shower column with traditional cartridge, diverter, shower set and flow regulation "bubble effect".



ARTICOLO COMPLETO / COMPLETE ITEM

71131AS0D *
AS/AS

PARTE INCASSO BUILT-IN PART	PARTE ESTERNA DA ABBINARE EXTERNAL MATCHING PART
--------------------------------	---

FINITURE / FINISHES

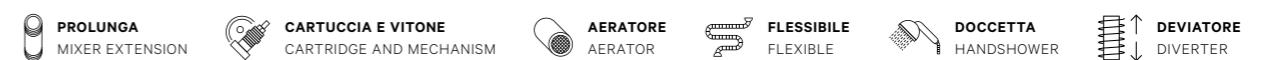
09744AS00	71131AS0DEU AS
-----------	-------------------

* Disponibile con erogazione getto a pioggia / Available with rain shower erogation

RICAMBI / SPARE PARTS

9896	9600ASPV
70850AS	00137AS

ACCESSORI E RICAMBI / ACCESSORIES AND SPARE PARTS

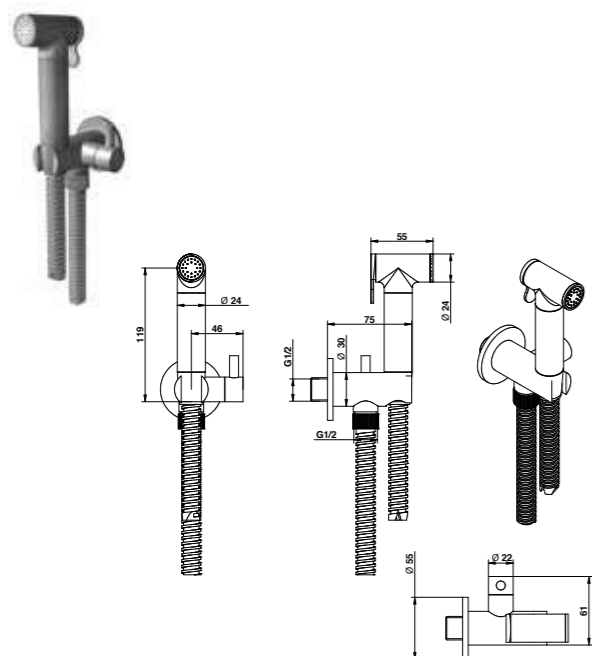




70904

Set doccia bidet a muro per wc in acciaio spazzolato 316 con presa acqua e rubinetto apri-chiudi.

316 brushed stainless steel shattaff shower set for wc with water supply and open-close tap.



ARTICOLO COMPLETO / COMPLETE ITEM

70904AS00 AS

Non disponibile in altre finiture. / Not available in other finishes.

ABBINABILE A / TO MATCH WITH:
 Miscelatori / Mixer - 70524
 Miscelatore / Mixer - 71524
 Miscelatore / Mixer - 73524
 Miscelatore / Mixer - 69524

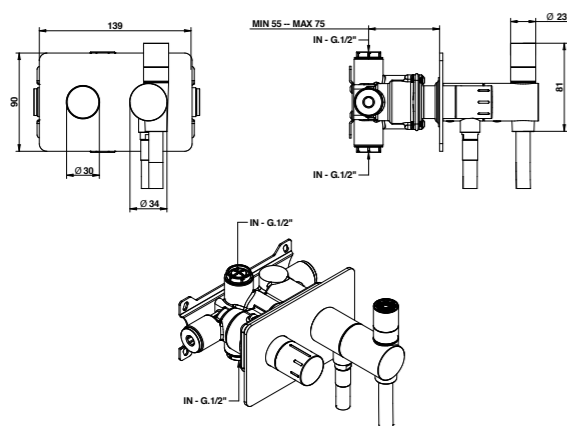
RICAMBI / SPARE PARTS

70904VI00	70904ASDO
9612ASPV	

70944 NEW

Termostatico incasso con doccetta multifunzione wc e idroscopino in acciaio spazzolato 316.

316 stainless steel thermostatic mixer with multifunctional handshower for both shattaff and hydrobrushes.



ARTICOLO COMPLETO / COMPLETE ITEM

70944AS00 AS

Non disponibile in altre finiture. / Not available in other finishes.

Ideale per zone wellness. / Ideal for wellness areas.

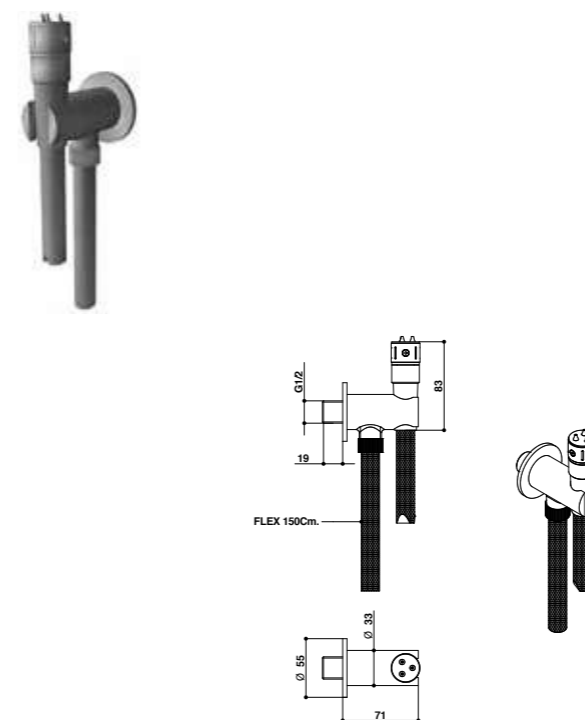
RICAMBI / SPARE PARTS

70944CA00	70944ASDO
-----------	-----------

70904/ID NEW

Set idroscopino a muro per wc in acciaio spazzolato 316 con presa acqua e doccino apri-chiudi.

316 brushed stainless steel hydrobrushes toilet set for wc with water supply and open-close handshower.



ARTICOLO COMPLETO / COMPLETE ITEM

70904ASID AS

Non disponibile in altre finiture. / Not available in other finishes.

RICAMBI / SPARE PARTS

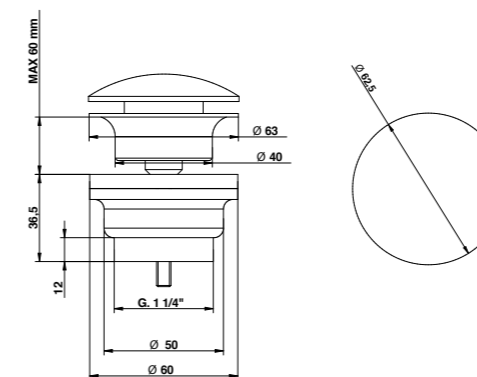
70904ASDI *

* Completo di flessibile / With flexible

70071

Scarico in acciaio spazzolato 316, clic clac 1.1/4".

316 brushed stainless steel, clic clac 1.1/4" waste.



ARTICOLO COMPLETO / COMPLETE ITEM

70071AS00 AS

Non disponibile in altre finiture. / Not available in other finishes.

ACCESSORI E RICAMBI / ACCESSORIES AND SPARE PARTS



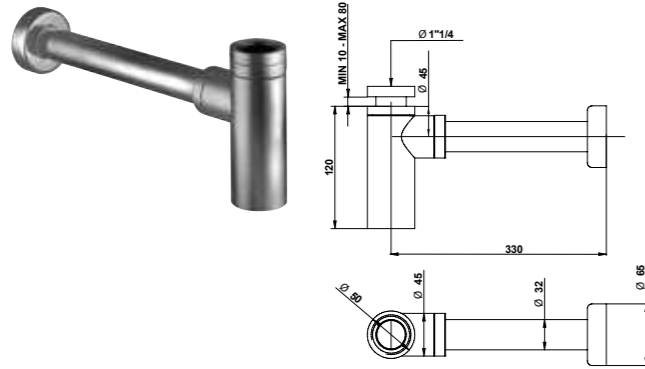
FINITURE E COLORI / FINISHES AND COLOURS





70067 NEW

Sifone 1.1/4" in acciaio spazzolato 316. 316 brushed stainless steel 1.1/4" siphon.



ARTICOLO COMPLETO / COMPLETE ITEM

70067AS00
AS

73062 NEW

Colonna scarico vasca con tappo clic-clac in acciaio spazzolato 316.

316 brushed steel automatic popup bathtub drain column with clic-clac waste.



ARTICOLO COMPLETO / COMPLETE ITEM

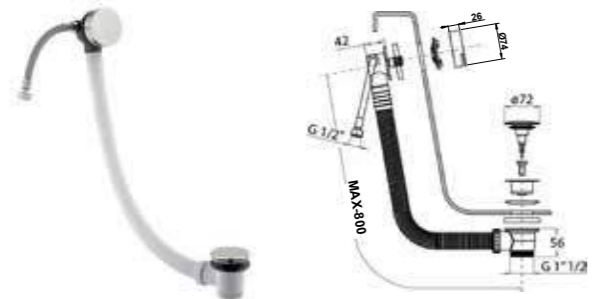
73062AS00
AS

Non disponibile in altre finiture. / Not available in other finishes.

73063 NEW

Colonna scarico vasca con erogazione dal troppopieno e tappo clic-clac in acciaio spazzolato 316.

316 brushed steel automatic popup bathtub drain column with water inlet through overflow and clic-clac waste.



ARTICOLO COMPLETO / COMPLETE ITEM

73063AS00
AS

Non disponibile in altre finiture. / Not available in other finishes.



Art. 70977AS0M

FINITURE E COLORI / FINISHES AND COLOURS



ACCESSORI E RICAMBI / ACCESSORIES AND SPARE PARTS



PROLUNGA
MIXER EXTENSION



CARTUCCIA E VITONE
CARTRIDGE AND MECHANISM



AERATORE
AERATOR



FLESSIBILE
FLEXIBLE



DOCCETTA
HANDSHOWER



DEVIATORE
DIVERTER



TIME2020 BASIC

CARTUCCIA TRADIZIONALE / TRADITIONAL CARTRIDGE



Art. 73540AS00

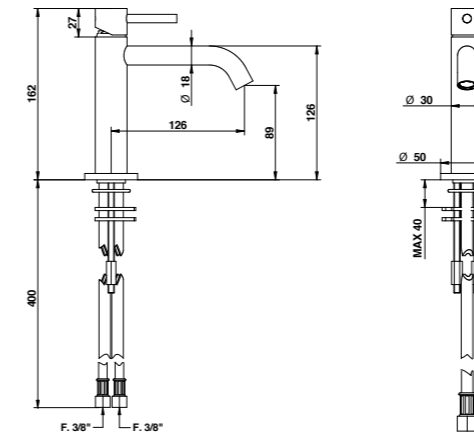
FINITURE E COLORI / FINISHES AND COLOURS



73521

Miscelatore lavabo in acciaio spazzolato 316 con cartuccia tradizionale.

316 brushed stainless steel basin mixer with traditional cartridge.



ARTICOLO COMPLETO / COMPLETE ITEM

73521AS00
AS

73521NE00
NE

ABBINABILE A / TO MATCH WITH:

Sifone / Siphon - **70067AS00**

Piletta clic-clac acciaio / Stainless steel clic-clac waste - **70071AS00**

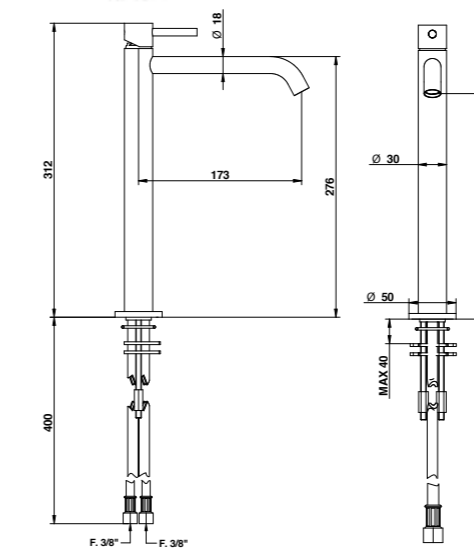
RICAMBI / SPARE PARTS

	9870		9392
--	-------------	--	-------------

73532

Miscelatore lavabo alto con bocca lunga in acciaio spazzolato 316 e cartuccia tradizionale.

316 brushed stainless steel high basin mixer with long spout and traditional cartridge.



ARTICOLO COMPLETO / COMPLETE ITEM

73532AS00
AS

73532NE00
NE

ABBINABILE A / TO MATCH WITH:

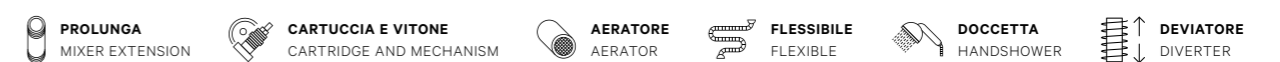
Sifone / Siphon - **70067AS00**

Piletta clic-clac acciaio / Stainless steel clic-clac waste - **70071AS00**

RICAMBI / SPARE PARTS

	9870		9392
--	-------------	--	-------------

ACCESSORI E RICAMBI / ACCESSORIES AND SPARE PARTS

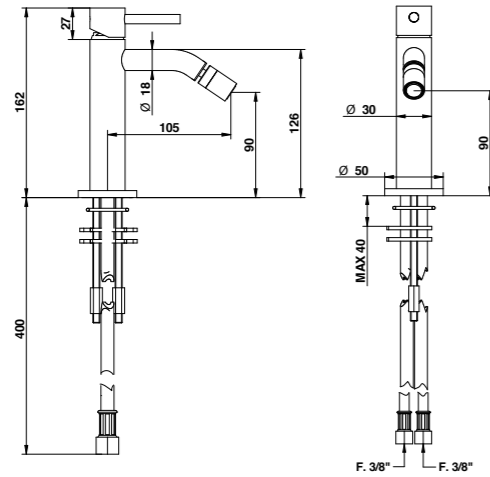




73522

Miscelatore bidet in acciaio spazzolato 316 con cartuccia tradizionale.

316 brushed stainless steel bidet mixer with traditional cartridge.



ARTICOLO COMPLETO / COMPLETE ITEM

73522AS00
AS

73522NE00
NE

ABBINABILE A / TO MATCH WITH:

Sifone / Siphon - **70067AS00**

Piletta clic-clac acciaio / Stainless steel clic-clac waste - **70071AS00**

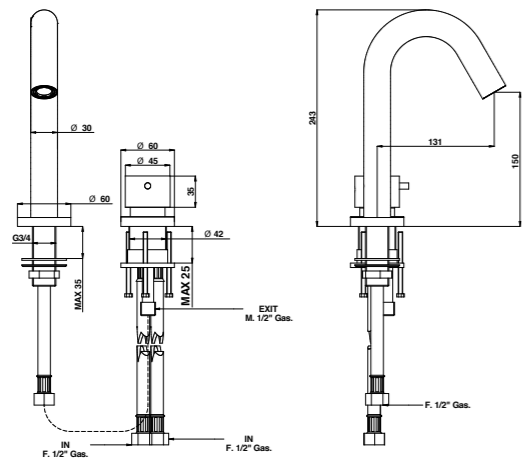
RICAMBI / SPARE PARTS

	9870		9393
--	-------------	--	-------------

73502

Gruppo lavabo bordo piano 2 fori in acciaio spazzolato 316 con cartuccia tradizionale.

316 brushed stainless steel 2 holes basin mixer with traditional cartridge.



ARTICOLO COMPLETO / COMPLETE ITEM

73502AS00
AS

73502NE00
NE

ABBINABILE A / TO MATCH WITH:

Sifone / Siphon - **70067AS00**

Piletta clic-clac acciaio / Stainless steel clic-clac waste - **70071AS00**

RICAMBI / SPARE PARTS

	9896		9391
--	-------------	--	-------------

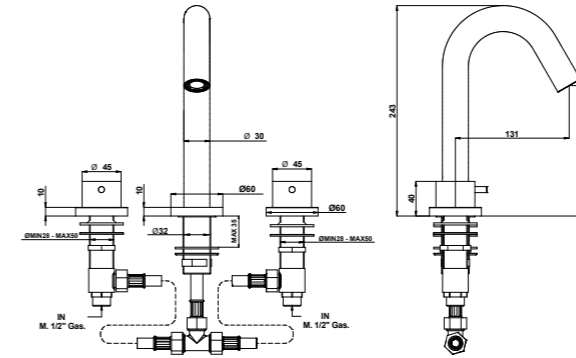
FINITURE E COLORI / FINISHES AND COLOURS



73501

Gruppo lavabo bordo piano 3 fori in acciaio spazzolato 316.

316 brushed stainless steel 3 holes basin mixer.



ARTICOLO COMPLETO / COMPLETE ITEM

73501AS00
AS

73501NE00
NE

ABBINABILE A / TO MATCH WITH:

Sifone / Siphon - **70067AS00**

Piletta clic-clac acciaio / Stainless steel clic-clac waste - **70071AS00**

RICAMBI / SPARE PARTS

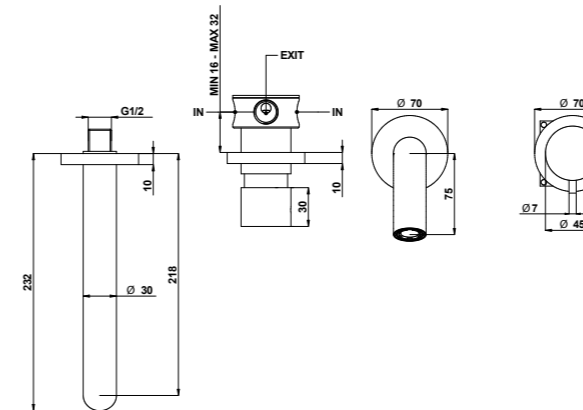
	9798 *		9799
	9391		

* Calda / Hot
Fredda / Cold

73539

Miscelatore lavabo incasso con bocca da 230 mm. in acciaio spazzolato 316 e cartuccia tradizionale.

316 brushed stainless steel built-in basin mixer with 230 mm. spout and traditional cartridge.



ARTICOLO COMPLETO / COMPLETE ITEM

73539AS00
AS

73539NE00
NE

PARTE INCASSO
BUILT-IN PARTPARTE ESTERNA DA ABBINARE
EXTERNAL MATCHING PART

FINITURE / FINISHES

09689AS00
09689NE00

73539ASEU
AS

73539NEEU
NE

ABBINABILE A / TO MATCH WITH:

Sifone / Siphon - **70067AS00**

Piletta clic-clac acciaio / Stainless steel clic-clac waste - **70071AS00**

PROLUNGA / MIXER EXTENSION

	00096ASPR		00096NEPR
--	------------------	--	------------------

RICAMBI / SPARE PARTS

	9896		9391
--	-------------	--	-------------

ACCESSORI E RICAMBI / ACCESSORIES AND SPARE PARTS



PROLUNGA
MIXER EXTENSION



CARTUCCIA E VITONE
CARTRIDGE AND MECHANISM



AERATORE
AERATOR



FLESSIBILE
FLEXIBLE



DOCCETTA
HANDSHOWER



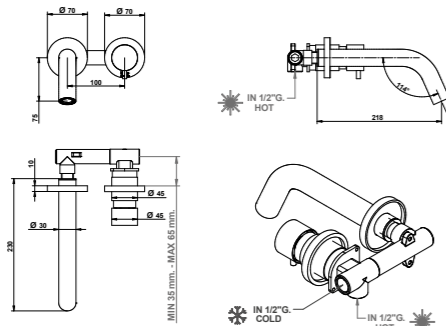
DEVIATORE
DIVERTER



73539/2A

Miscelatore lavabo incasso completo di connessioni, bocca da 230 mm in acciaio spazzolato 316 e cartuccia tradizionale.

316 brushed stainless steel built-in basin mixer with 230 mms. spout, traditional cartridge, complete with built-in connection.



ARTICOLO COMPLETO / COMPLETE ITEM

73539AS2A
AS

PARTE INCASSO
BUILT-IN PART

PARTE ESTERNA DA ABBINARE
EXTERNAL MATCHING PART

FINITURE / FINISHES

09690AS73
09690NE73

73539AS2AEU
AS

73539NE2AEU
NE

ABBINABILE A / TO MATCH WITH:

Sifone / Siphon - 70067AS00

Piletta clic-clac acciaio / Stainless steel clic-clac waste - 70071AS00

PROLUNGA / MIXER EXTENSION

73096ASPR

73096NEPR

RICAMBI / SPARE PARTS

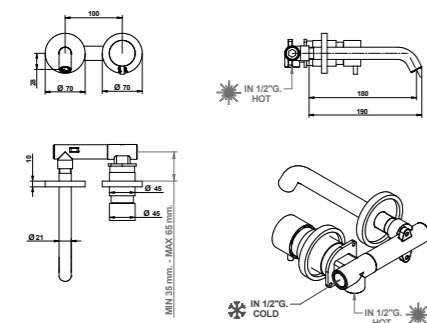
9896

9391

73539/1A

Miscelatore lavabo incasso completo di connessioni, bocca da 230 mm in acciaio spazzolato 316 e cartuccia tradizionale.

316 brushed stainless steel built-in basin mixer with 230 mms. spout, traditional cartridge, complete with built-in connection.



ARTICOLO COMPLETO / COMPLETE ITEM

73539AS1A
AS

PARTE INCASSO
BUILT-IN PART

PARTE ESTERNA DA ABBINARE
EXTERNAL MATCHING PART

FINITURE / FINISHES

09690AS73
09690NE73

73539AS1AEU
AS

73539NE1AEU
NE

ABBINABILE A / TO MATCH WITH:

Sifone / Siphon - 70067AS00

Piletta clic-clac acciaio / Stainless steel clic-clac waste - 70071AS00

PROLUNGA / MIXER EXTENSION

73096ASPR

73096NEPR

RICAMBI / SPARE PARTS

9896

9390

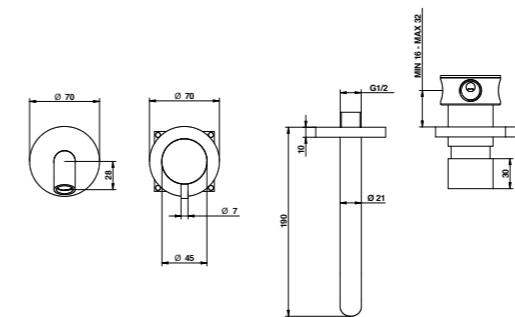
FINITURE E COLORI / FINISHES AND COLOURS



73539/0S BOCCA SMALL Ø21 / SMALL SPOUT

Miscelatore lavabo incasso con bocca da 190 mm. in acciaio spazzolato 316 e cartuccia tradizionale.

316 brushed stainless steel built-in basin mixer with 190 mms. spout and traditional cartridge.



ARTICOLO COMPLETO / COMPLETE ITEM

73539AS0S
AS

PARTE INCASSO
BUILT-IN PART

PARTE ESTERNA DA ABBINARE
EXTERNAL MATCHING PART

FINITURE / FINISHES

09689AS00
09689NE00

73539AS0SEU
AS

73539NE0SEU
NE

ABBINABILE A / TO MATCH WITH:

Sifone / Siphon - 70067AS00

Piletta clic-clac acciaio / Stainless steel clic-clac waste - 70071AS00

PROLUNGA / MIXER EXTENSION

00096ASPR

00096NEPR

RICAMBI / SPARE PARTS

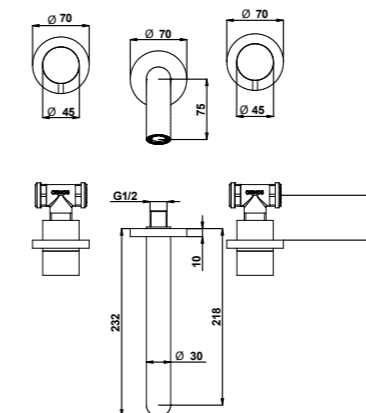
9896

9392

73540

Gruppo lavabo a parete con bocca da 232 mm in acciaio spazzolato 316.

316 brushed stainless steel wall basin mixer with 232 mms. spout.



ARTICOLO COMPLETO / COMPLETE ITEM

73540AS00
AS

PARTE INCASSO
BUILT-IN PART

PARTE ESTERNA DA ABBINARE
EXTERNAL MATCHING PART

FINITURE / FINISHES

09688AS00

73540ASEU
AS

73540NEEU
NE

ABBINABILE A / TO MATCH WITH:

Sifone / Siphon - 70067AS00

Piletta clic-clac acciaio / Stainless steel clic-clac waste - 70071AS00

PROLUNGA / MIXER EXTENSION

00093ASPR

RICAMBI / SPARE PARTS

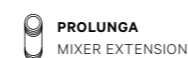
9792 *

9792 □

9391

* Calda / Hot
□ Fredda / Cold

ACCESSORI E RICAMBI / ACCESSORIES AND SPARE PARTS



PROLUNGA
MIXER EXTENSION



CARTUCCIA E VITONE
CARTRIDGE AND MECHANISM



AERATORE
AERATOR



FLESSIBILE
FLEXIBLE



DOCCETTA
HANDSHOWER

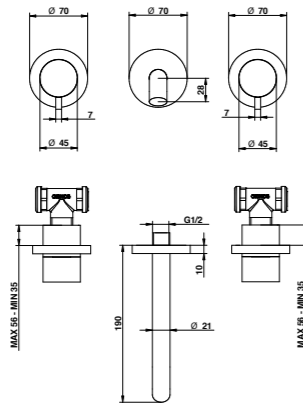


DEVIATORE
DIVERTER



73540/0S BOCCA SMALL Ø21 / SMALL SPOUT

Guppo lavabo a parete con bocca da 190 mm. in acciaio spazzolato 316. 316 brushed stainless steel wall basing mixer 190 mms. spout.



ARTICOLO COMPLETO / COMPLETE ITEM

73540AS0S
AS

PARTE INCASSO BUILT-IN PART
PARTE ESTERNA DA ABBINARE EXTERNAL MATCHING PART

FINITURE / FINISHES

09688AS00

73540A0SEU
AS73540NE0SEU
NE

ABBINABILE A / TO MATCH WITH:
Sifone / Siphon - **70067AS00**
Piletta clic-clac acciaio / Stainless steel clic-clac waste - **70071AS00**

PROLUNGA / MIXER EXTENSION

00093ASPR

RICAMBI / SPARE PARTS

9792 *

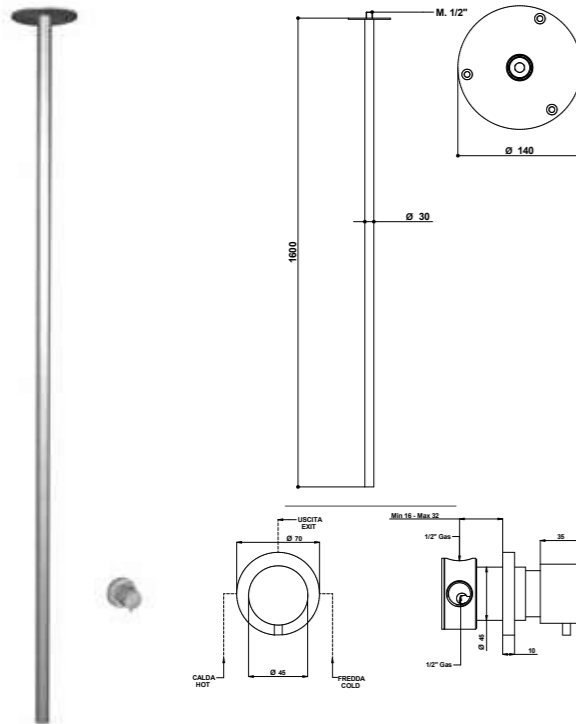
9792 □

9392

* Calda / Hot
□ Fredda / Cold

73977/RM

Bocca a soffitto in acciaio spazzolato 316 con comando remoto a muro con cartuccia tradizionale. 316 brushed stainless steel ceiling spout with built-in remote control with traditional cartridge.



ARTICOLO COMPLETO / COMPLETE ITEM

73977ASRM
AS

PARTE INCASSO BUILT-IN PART
PARTE ESTERNA DA ABBINARE EXTERNAL MATCHING PART

FINITURE / FINISHES

09689AS
09689NE73977ASRMEU
AS73977NERMEU
NE

ABBINABILE A / TO MATCH WITH:
Sifone / Siphon - **70067AS00**
Piletta clic-clac acciaio / Stainless steel clic-clac waste - **70071AS00**

PROLUNGA / MIXER EXTENSION

00096ASPR

00096NEPR

RICAMBI / SPARE PARTS

9896

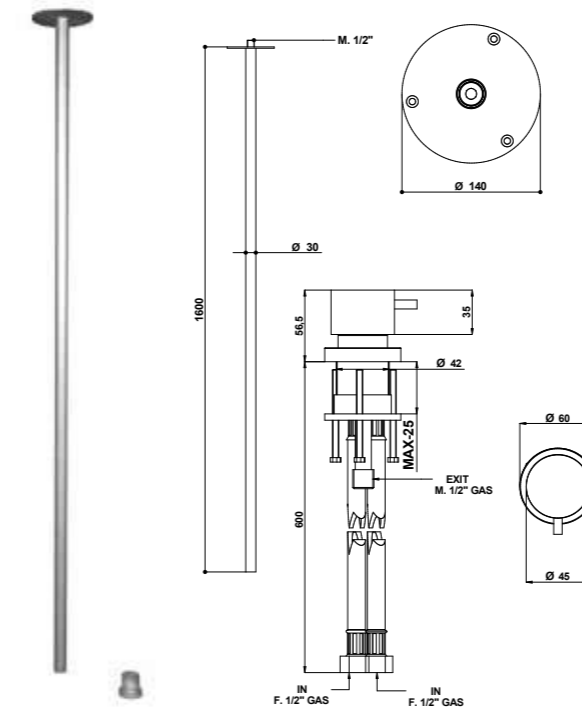
9391

FINITURE E COLORI / FINISHES AND COLOURS



73977/RP

Bocca a soffitto in acciaio spazzolato 316 con comando remoto a bordo piano con cartuccia tradizionale. 316 brushed stainless steel ceiling spout with deck remote control with traditional cartridge.



ARTICOLO COMPLETO / COMPLETE ITEM

73977ASRP
AS73977NERP
NE

ABBINABILE A / TO MATCH WITH:
Sifone / Siphon - **70067AS00**
Piletta clic-clac acciaio / Stainless steel clic-clac waste - **70071AS00**

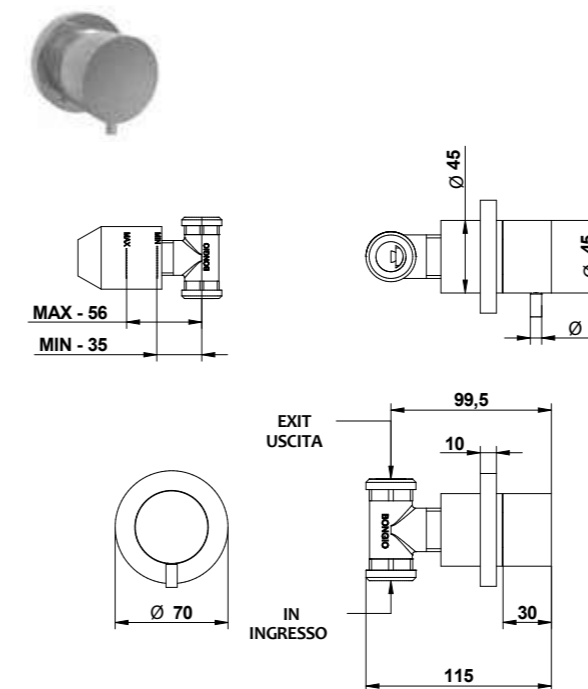
RICAMBI / SPARE PARTS

9896

9391

73500 NEW

Rubinetto incasso 1/2" in acciaio spazzolato 316. 316 brushed stainless steel 1/2" built-in tap.



ARTICOLO COMPLETO / COMPLETE ITEM

73500AS00
AS

PARTE INCASSO BUILT-IN PART
PARTE ESTERNA DA ABBINARE EXTERNAL MATCHING PART

FINITURE / FINISHES

09686AS00
09686NE0073500ASEU
AS73500NEEU
NE

PROLUNGA / MIXER EXTENSION

00093AS01PR

RICAMBI / SPARE PARTS

9792 *

9792 □

* Calda / Hot
□ Fredda / Cold

ACCESSORI E RICAMBI / ACCESSORIES AND SPARE PARTS





73524

Miscelatore doccia incasso in acciaio spazzolato 316 con cartuccia tradizionale. 316 brushed stainless steel built-in shower mixer with traditional cartridge.



ARTICOLO COMPLETO / COMPLETE ITEM

73524AS00
AS

PARTE INCASSO BUILT-IN PART PARTE ESTERNA DA ABBINARE EXTERNAL MATCHING PART

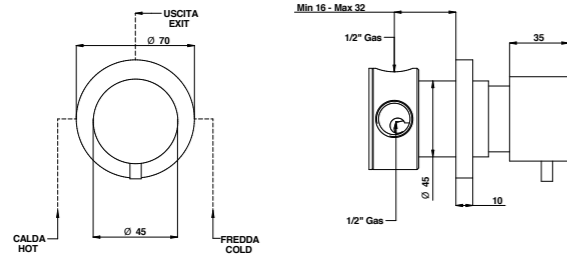
09689AS00
09689NE00

FINITURE / FINISHES

73524ASEU
AS

73524NEEU
NE

ABBINABILE A / TO MATCH WITH:
Bocca / Spout - 70800



PROLUNGA / MIXER EXTENSION

00096ASPR 00096NEPR

RICAMBI / SPARE PARTS

9896

73544

Termostatico incasso coassiale in acciaio spazzolato 316. 316 brushed stainless steel built-in coaxial thermostatic mixer.



ARTICOLO COMPLETO / COMPLETE ITEM

73544AS00
AS

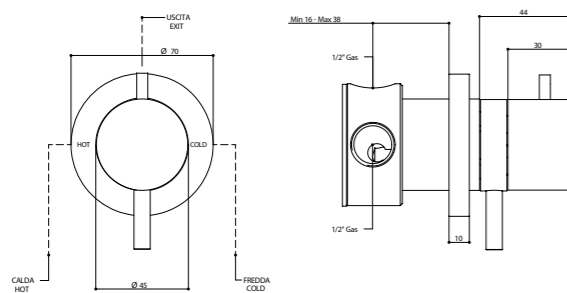
PARTE INCASSO BUILT-IN PART PARTE ESTERNA DA ABBINARE EXTERNAL MATCHING PART

09697AS00
09697NE00

FINITURE / FINISHES

73544ASEU
AS

73544NEEU
NE



PROLUNGA / MIXER EXTENSION

00094ASPR 00094NEPR

RICAMBI / SPARE PARTS

9875

FINITURE E COLORI / FINISHES AND COLOURS



73525

Deviatore incasso 2 uscite (1 entrata - 2 uscite) in acciaio spazzolato 316. 316 brushed stainless steel 2 way (1 in - 2 out) diverter.



ARTICOLO COMPLETO / COMPLETE ITEM

73525AS00
AS

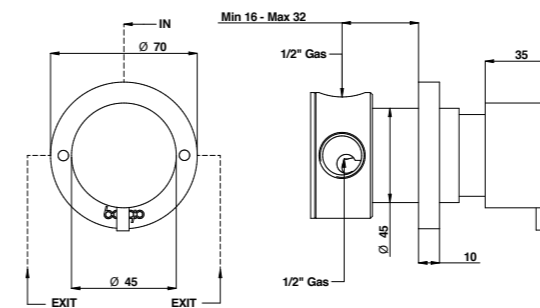
PARTE INCASSO BUILT-IN PART PARTE ESTERNA DA ABBINARE EXTERNAL MATCHING PART

09696AS71
09696NE71

FINITURE / FINISHES

73525ASEU
AS

73525NEEU
NE



PROLUNGA / MIXER EXTENSION

00096ASPR 00096NEPR

RICAMBI / SPARE PARTS

9821

73525/3

Deviatore incasso 3 uscite (1 entrata - 3 uscite) in acciaio spazzolato 316. 316 brushed stainless steel 3 way (1 in - 3 out) diverter.



ARTICOLO COMPLETO / COMPLETE ITEM

73525AS03
AS

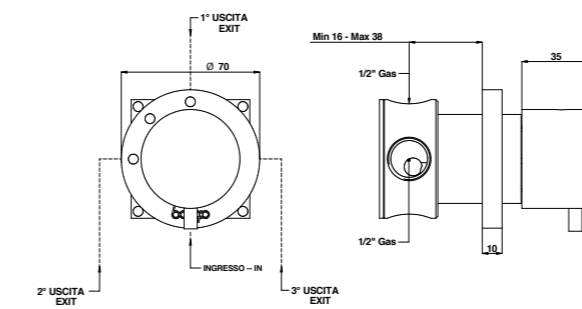
PARTE INCASSO BUILT-IN PART PARTE ESTERNA DA ABBINARE EXTERNAL MATCHING PART

09696AS03
09696NE03

FINITURE / FINISHES

73525A03EU
AS

73525NE03EU
NE



PROLUNGA / MIXER EXTENSION

00098ASPR 00098NEPR

RICAMBI / SPARE PARTS

9807

ACCESSORI E RICAMBI / ACCESSORIES AND SPARE PARTS



PROLUNGA
MIXER EXTENSION



CARTUCCIA E VITONE
CARTRIDGE AND MECHANISM



AERATORE
AERATOR



FLESSIBILE
FLEXIBLE



DOCCETTA
HANDSHOWER



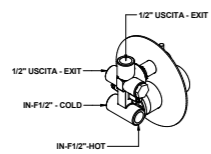
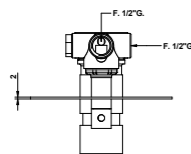
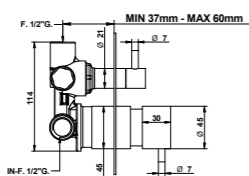
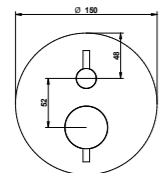
DEVIATORE
DIVERTER



73519

Miscelatore doccia incasso in acciaio spazzolato 316 con deviatore a 2 uscite meccanico e cartuccia tradizionale.

316 brushed stainless steel built-in mixer with 2 exits mechanical diverter and traditional cartridge.



ARTICOLO COMPLETO / COMPLETE ITEM

73519AS00
AS

PARTE INCASSO
BUILT-IN PART

PARTE ESTERNA DA ABBINARE
EXTERNAL MATCHING PART

FINITURE / FINISHES

9663AS
9663NE

73519ASEU
AS

73519NEEU
NE

Corpo incasso in ottone e parti esterne in acciaio inox 316. / Brass built-in part and 316 brushed stainless steel external parts.

PROLUNGA / MIXER EXTENSION

70102NSRP3

OPTIONAL: Scatola incasso per cartongesso / Built-in box for drywall and cavity wall **09702PBOX**

RICAMBI / SPARE PARTS

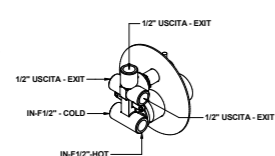
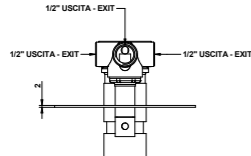
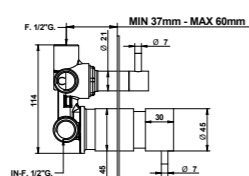
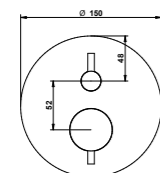
9813/71

9861

73519/3

Miscelatore doccia incasso in acciaio spazzolato 316 con deviatore meccanico a 3 uscite e cartuccia tradizionale.

316 brushed stainless steel built-in mixer with 3 exits mechanical diverter and traditional cartridge.



ARTICOLO COMPLETO / COMPLETE ITEM

73519AS03
AS

PARTE INCASSO
BUILT-IN PART

PARTE ESTERNA DA ABBINARE
EXTERNAL MATCHING PART

FINITURE / FINISHES

9663AS03
9663NE03

73519AS03EU
AS

73519NE03EU
NE

Corpo incasso in ottone e parti esterne in acciaio inox 316. / Brass built-in part and 316 brushed stainless steel external parts.

PROLUNGA / MIXER EXTENSION

70102NSRP3

OPTIONAL: Scatola incasso per cartongesso / Built-in box for drywall and cavity wall **09702PBOX**

RICAMBI / SPARE PARTS

9813/71

09860

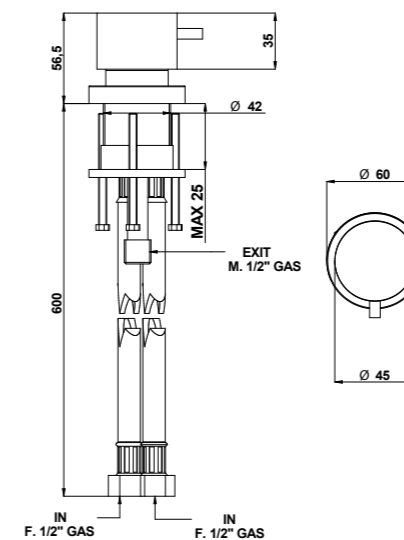
FINITURE E COLORI / FINISHES AND COLOURS



73520

Miscelatore bordo piano in acciaio spazzolato 316 con cartuccia tradizionale.

316 brushed stainless steel mixer for deck installation with traditional cartridge.



ARTICOLO COMPLETO / COMPLETE ITEM

73520AS00
AS

73520NE00
NE

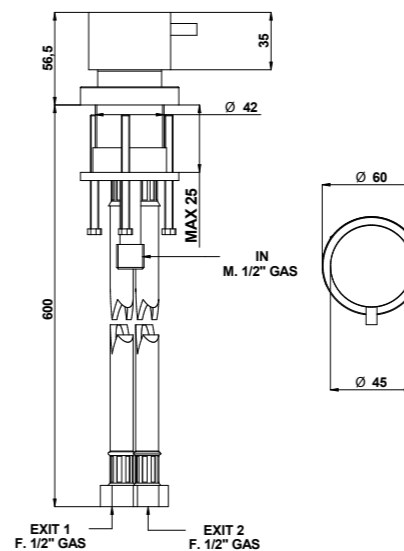
RICAMBI / SPARE PARTS

9896

73535

Deviatore bordo vasca 2 uscite (1 entrata - 2 uscite) in acciaio spazzolato 316.

316 brushed stainless steel 2 way (1 in - 2 out) deck bath diverter.



ARTICOLO COMPLETO / COMPLETE ITEM

73535AS00
AS

73535NE00
NE

RICAMBI / SPARE PARTS

9821

ACCESSORI E RICAMBI / ACCESSORIES AND SPARE PARTS



PROLUNGA
MIXER EXTENSION



CARTUCCIA E VITONE
CARTRIDGE AND MECHANISM



AERATORE
AERATOR



FLESSIBILE
FLEXIBLE



DOCCETTA
HANDSHOWER



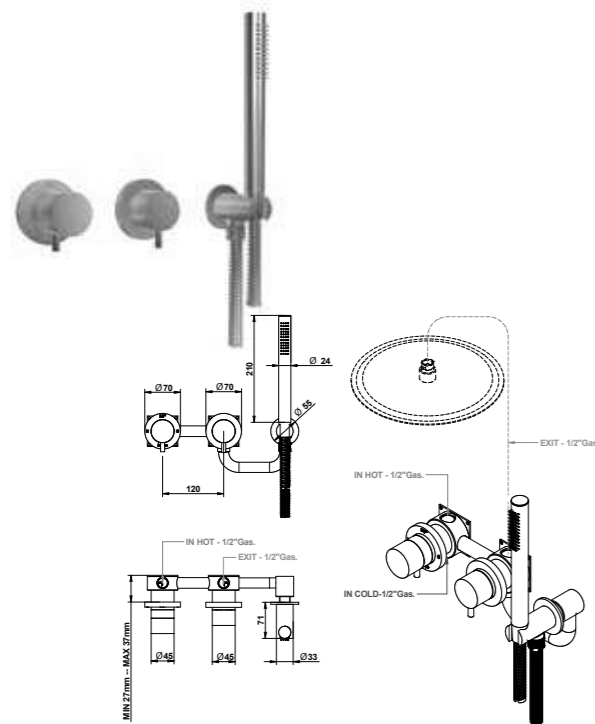
DEVIATORE
DIVERTER



73551/AD NEW

Gruppo doccia incasso in acciaio spazzolato 316 con connessioni, miscelatore termostatico, deviatore due uscite e set doccia.

316 brushed stainless steel built-in shower mixer with connections, thermostatic mixer, 2 exit diverter and duplex shower set.



ARTICOLO COMPLETO / COMPLETE ITEM

73551ASAD
AS

PARTE INCASSO BUILT-IN PART	PARTE ESTERNA DA ABBINARE EXTERNAL MATCHING PART
--------------------------------	---

FINITURE / FINISHES

09687ASOC 09687NEOC	73551ASADEU AS
	73551NEADEU NE

PROLUNGA / MIXER EXTENSION

73113ASPR	73113NEPR
-----------	-----------

RICAMBI / SPARE PARTS

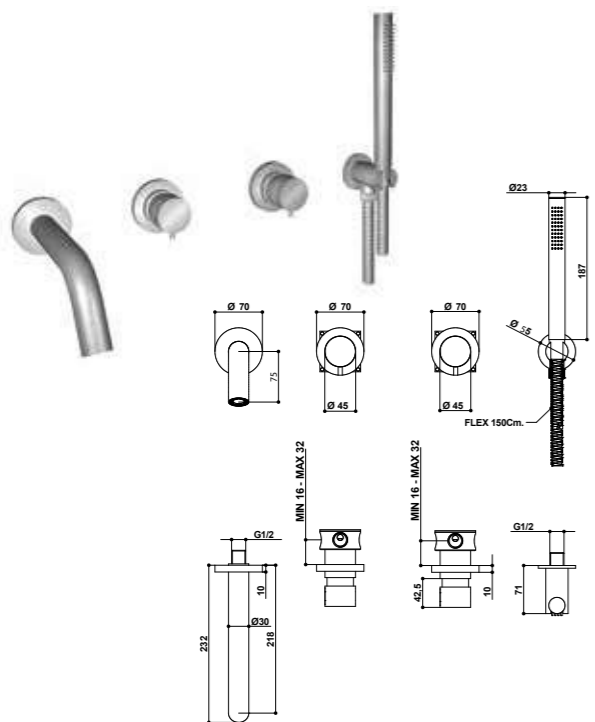
9875 *	9821 ◻
09600ASPV	70850AS

* Cartuccia miscelatore / Mixer cartridge
◻ Cartuccia deviatrice / Diverter cartridge

73530/D

Gruppo vasca incasso con set doccia in acciaio spazzolato 316 e cartuccia tradizionale.

316 brushed stainless steel built-in bath & shower mixer with duplex shower set and traditional cartridge.



ARTICOLO COMPLETO / COMPLETE ITEM

73530ASOD
AS

PARTE INCASSO BUILT-IN PART	PARTE ESTERNA DA ABBINARE EXTERNAL MATCHING PART
--------------------------------	---

FINITURE / FINISHES

09687AS00 09687NE00	73530ASODEU AS
	73530NEODEU NE

PROLUNGA / MIXER EXTENSION

00096ASPR Deviatore / Diverter	00096ASPR Miscelatore / Mixer
--------------------------------------	-------------------------------------

RICAMBI / SPARE PARTS

9896 *	9821 ◻
9391	09600ASPV
70850AS	

* Cartuccia miscelatore / Mixer cartridge
◻ Cartuccia deviatrice / Diverter cartridge

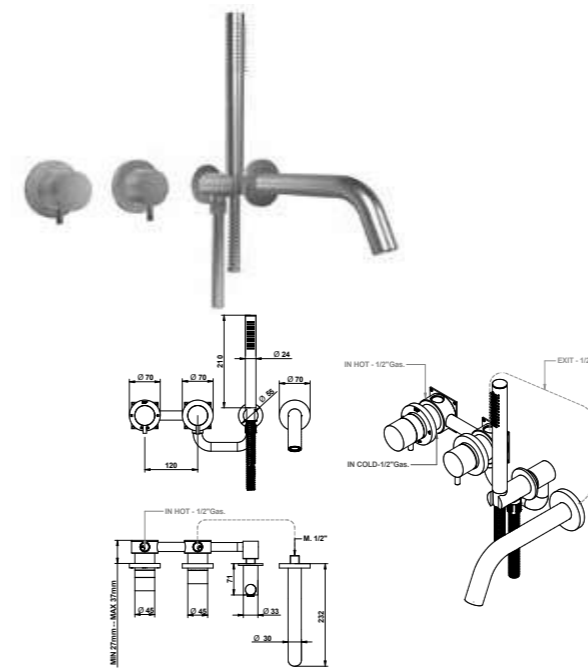
FINITURE E COLORI / FINISHES AND COLOURS



73550/AD NEW

Gruppo vasca incasso in acciaio spazzolato 316 con connessioni, miscelatore termostatico, deviatore due uscite, set doccia e bocca separata.

316 brushed stainless steel built-in shower mixer with connections, thermostatic mixer, 2 exit diverter, duplex shower set and separated spout.



ARTICOLO COMPLETO / COMPLETE ITEM

73550ASAD
AS

PARTE INCASSO BUILT-IN PART	PARTE ESTERNA DA ABBINARE EXTERNAL MATCHING PART
--------------------------------	---

FINITURE / FINISHES

09687ASOC 09687NEOC	73550ASADEU AS
	73550NEADEU NE

PROLUNGA / MIXER EXTENSION

73113ASPR	73113NEPR
-----------	-----------

RICAMBI / SPARE PARTS

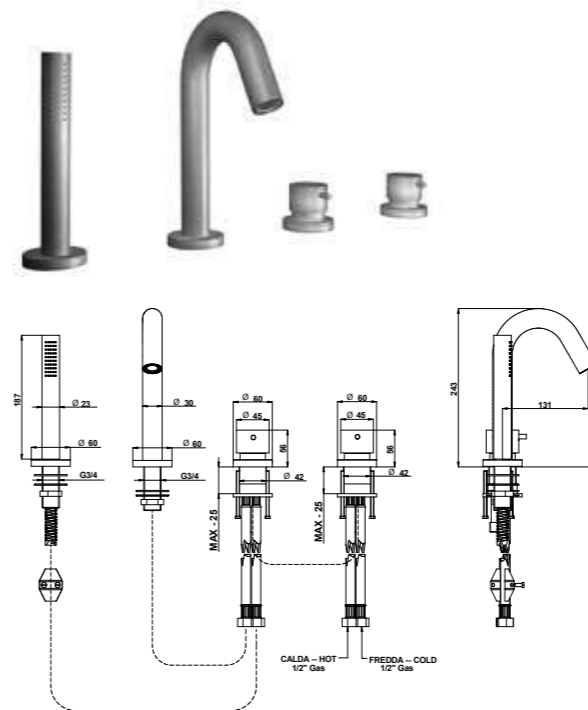
9821 *	9875 ◻
9391	09600ASPV
70850AS	

* Cartuccia deviatrice / Diverter cartridge
◻ Cartuccia miscelatore / Mixer cartridge

73531/D

Miscelatore bordo vasca in acciaio spazzolato 316 con set doccia e cartuccia tradizionale.

316 brushed stainless steel four holes deck bath and shower mixer with duplex shower set and traditional cartridge.



ARTICOLO COMPLETO / COMPLETE ITEM

73531ASOD
AS

73531NEOD
NE

RICAMBI / SPARE PARTS

9821 *	9896 ◻
9391	09606AS
70850AS	

* Cartuccia deviatrice / Diverter cartridge
◻ Cartuccia miscelatore / Mixer cartridge

ACCESSORI E RICAMBI / ACCESSORIES AND SPARE PARTS

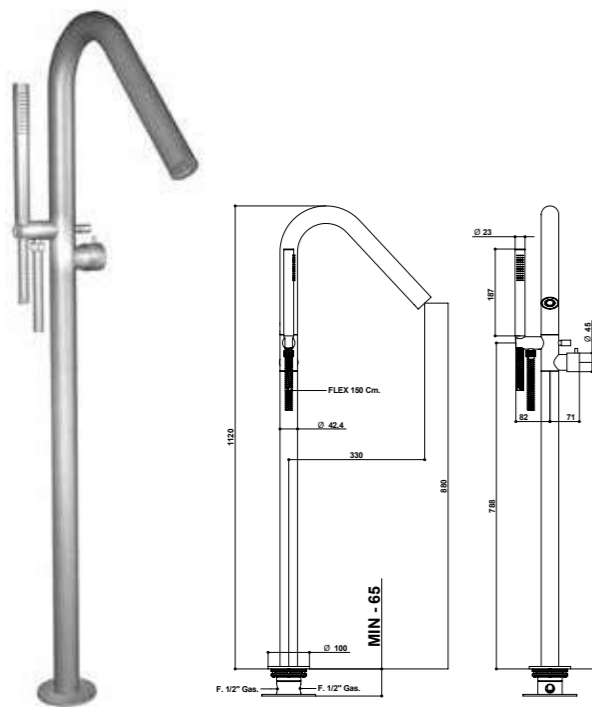




73534/D

Miscelatore vasca da terra in acciaio spazzolato 316 con cartuccia tradizionale e set doccia.

316 brushed stainless steel floor mounted bath mixer with traditional cartridge and handshower set.



ARTICOLO COMPLETO / COMPLETE ITEM

73534AS0D
AS

PARTE INCASSO
BUILT-IN PART

PARTE ESTERNA DA ABBINARE
EXTERNAL MATCHING PART

FINITURE / FINISHES

09744AS00

73534AS0DEU
AS

73534NE0DEU
NE

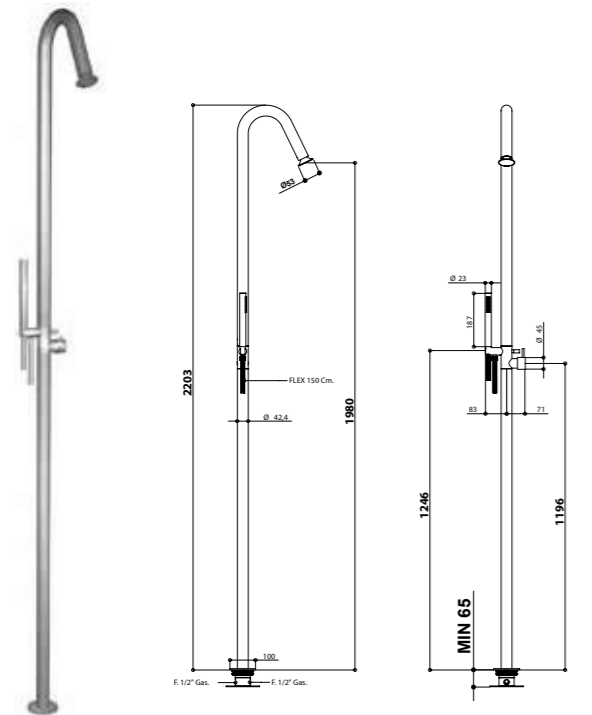
RICAMBI / SPARE PARTS

	9896		9391
	09600ASPV		70850AS
	00137AS		

73131/D

Colonna doccia a pavimento in acciaio spazzolato 316 con miscelatore a cartuccia tradizionale deviatore, set doccia e regolazione effetto bolla acqua.

316 brushed stainless steel floor mounted shower column with traditional cartridge, diverter, shower set and flow regulation "bubble effect".



ARTICOLO COMPLETO / COMPLETE ITEM

73131AS0D *
AS

PARTE INCASSO
BUILT-IN PART

PARTE ESTERNA DA ABBINARE
EXTERNAL MATCHING PART

FINITURE / FINISHES

09744AS00

73131AS0DEU
AS

73131NE0DEU
NE

* Disponibile con erogazione getto a pioggia / Available with rain shower erogation

RICAMBI / SPARE PARTS

	9896		9600ASPV
	70850AS		00137AS

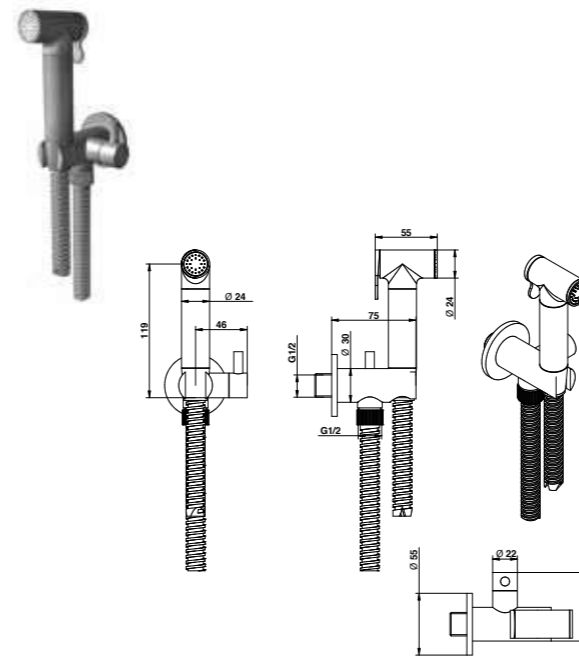
FINITURE E COLORI / FINISHES AND COLOURS



70904

Set doccia bidet a muro per wc in acciaio spazzolato 316 con presa acqua e rubinetto apri-chiudi.

316 brushed stainless steel shattaff shower set for wc with water supply and open-close tap.



ARTICOLO COMPLETO / COMPLETE ITEM

70904AS00
AS

Non disponibile in altre finiture. / Not available in other finishes.

ABBINABILE A / TO MATCH WITH:

Miscelatori / Mixer - 70524
Miscelatore / Mixer - 71524
Miscelatore / Mixer - 73524
Miscelatore / Mixer - 69524

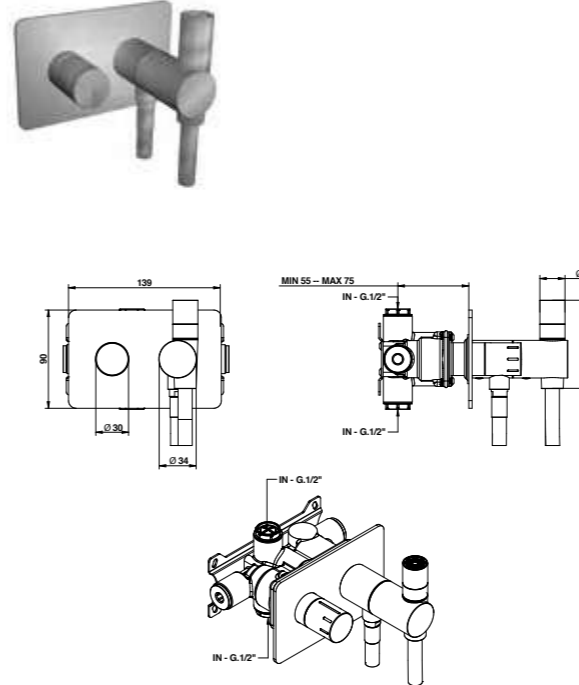
RICAMBI / SPARE PARTS

	70904VI00		70904ASDO
	9612ASPV		

70944 NEW

Termostatico incasso con doccetta multifunzione wc e idroscopino in acciaio spazzolato 316.

316 stainless steel thermostatic mixer with multifunctional handshower for both shattaff and hydrobrushes.



ARTICOLO COMPLETO / COMPLETE ITEM

70944AS00
AS

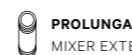
Non disponibile in altre finiture. / Not available in other finishes.

Ideale per zone wellness. / Ideal for wellness areas.

RICAMBI / SPARE PARTS

	70944CA00		70944ASDO
--	-----------	--	-----------

ACCESSORI E RICAMBI / ACCESSORIES AND SPARE PARTS



PROLUNGA
MIXER EXTENSION



CARTUCCIA E VITONE
CARTRIDGE AND MECHANISM



AERATORE
AERATOR



FLESSIBILE
FLEXIBLE



DOCCETTA
HANDSHOWER



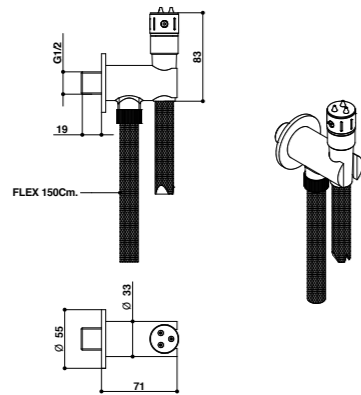
DEVIATORE
DIVERTER



70904/ID NEW

Set idroscopico a muro per wc in acciaio spazzolato 316 con presa acqua e doccino apri-chiudi.

316 brushed stainless steel hydrobrushes toilet set for wc with water supply and open-close handshower.



ARTICOLO COMPLETO / COMPLETE ITEM

70904ASID
AS

Non disponibile in altre finiture. / Not available in other finishes.

RICAMBI / SPARE PARTS

70904ASDI *

* Completo di flessibile / With flexible

70071

Scarico in acciaio spazzolato 316, clic clac 1.1/4".

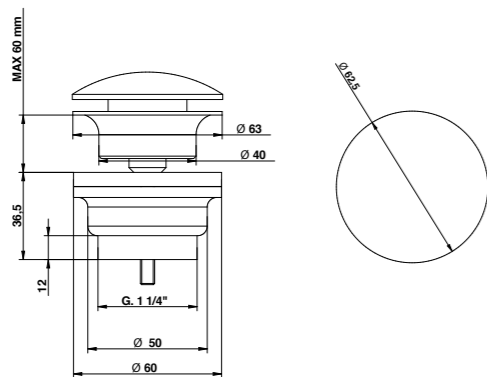
316 brushed stainless steel, clic clac 1.1/4" waste.



ARTICOLO COMPLETO / COMPLETE ITEM

70071AS00
AS

Non disponibile in altre finiture. / Not available in other finishes.

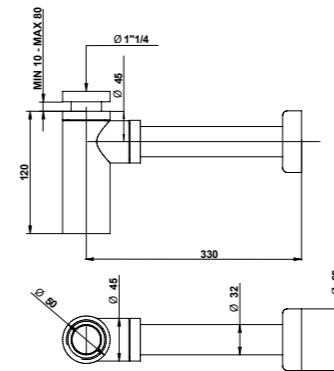
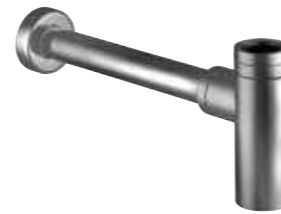


FINITURE E COLORI / FINISHES AND COLOURS



70067 NEW

Sifone 1.1/4" in acciaio spazzolato 316. 316 brushed stainless steel 1.1/4" siphon.



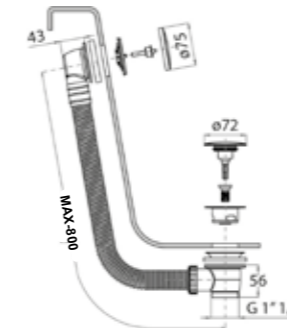
ARTICOLO COMPLETO / COMPLETE ITEM

70067AS00
AS

73062 NEW

Colonna scarico vasca con tappo clic-clac in acciaio spazzolato 316.

316 brushed steel automatic popup bathtub drain column with clic-clac waste.



ARTICOLO COMPLETO / COMPLETE ITEM

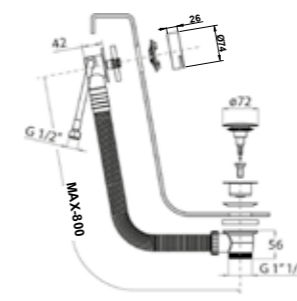
73062AS00
AS

Non disponibile in altre finiture. / Not available in other finishes.

73063 NEW

Colonna scarico vasca con erogazione dal troppopieno e tappo clic clac in acciaio spazzolato 316.

316 brushed steel automatic popup bathtub drain column with water inlet through overflow and clic clac waste.



ARTICOLO COMPLETO / COMPLETE ITEM

73063AS00
AS

Non disponibile in altre finiture. / Not available in other finishes.

ACCESSORI E RICAMBI / ACCESSORIES AND SPARE PARTS



PROLUNGA
MIXER EXTENSION



CARTUCCIA E VITONE
CARTRIDGE AND MECHANISM



AERATORE
AERATOR



FLESSIBILE
FLEXIBLE



DOCCETTA
HANDSHOWER



DEVIATORE
DIVERTER

TIME2020 WOOD

CARTUCCIA TRADIZIONALE / TRADITIONAL CARTRIDGE



WOODPASSION



DOCCIA / SHOWER
 Art. 70976AS00
 Art. 69524AS0
 Art. 00888AS74PR

LAVABO / WASHBASIN
 Art. 69539AS00

VASCA / BATHTUBE
 Art. 69534AS0D

BIDET / BIDET
 Art. 69522AS00

ACCESSORI / ACCESSORIES
 Art. 70010AS00
 Art. 70033AS00
 Art. 70904AS00

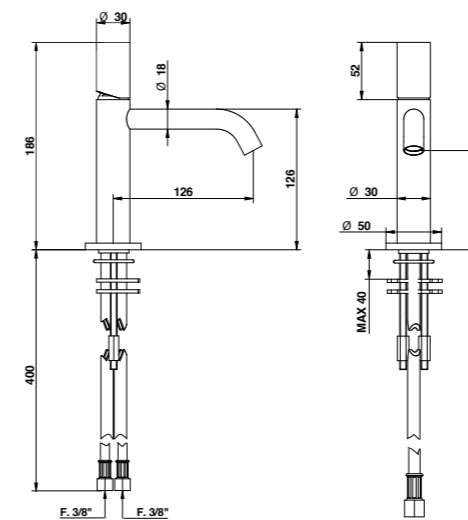


Art. 070976NS00 - Art. 70899AS00
Art. 69524AS00 - Art. 00888AS74PR

69521

Miscelatore lavabo in acciaio spazzolato 316 con cartuccia tradizionale e maniglia in teak.

316 brushed stainless steel basin mixer with traditional cartridge and teak handle.



ARTICOLO COMPLETO / COMPLETE ITEM

69521AS00
AS

ABBINABILE A / TO MATCH WITH:

Sifone / Siphon - 70067AS00
Piletta clic-clac acciaio / Stainless steel clic-clac waste - 70071AS00

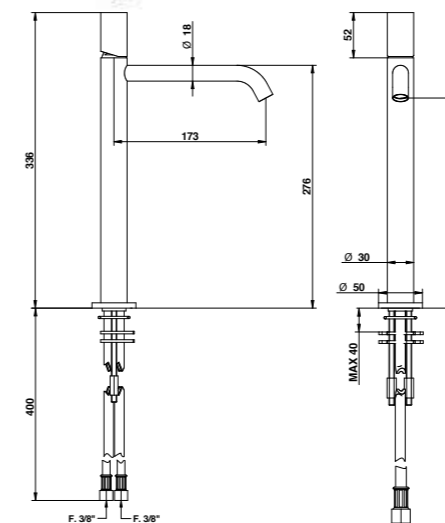
RICAMBI / SPARE PARTS

	9870		9392
--	------	--	------

69532

Miscelatore lavabo in acciaio spazzolato 316 alto con bocca lunga, cartuccia tradizionale e maniglia in teak.

316 brushed stainless steel high basin mixer with long spout, traditional cartridge and teak handle.



ARTICOLO COMPLETO / COMPLETE ITEM

69532AS00
AS

ABBINABILE A / TO MATCH WITH:

Sifone / Siphon - 70067AS00
Piletta clic-clac acciaio / Stainless steel clic-clac waste - 70071AS00

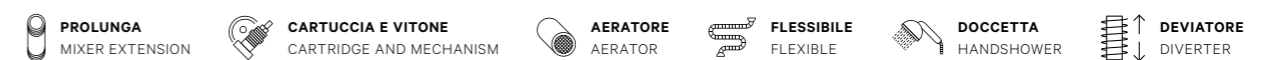
RICAMBI / SPARE PARTS

	9870		9392
--	------	--	------

FINITURE E COLORI / FINISHES AND COLOURS



ACCESSORI E RICAMBI / ACCESSORIES AND SPARE PARTS

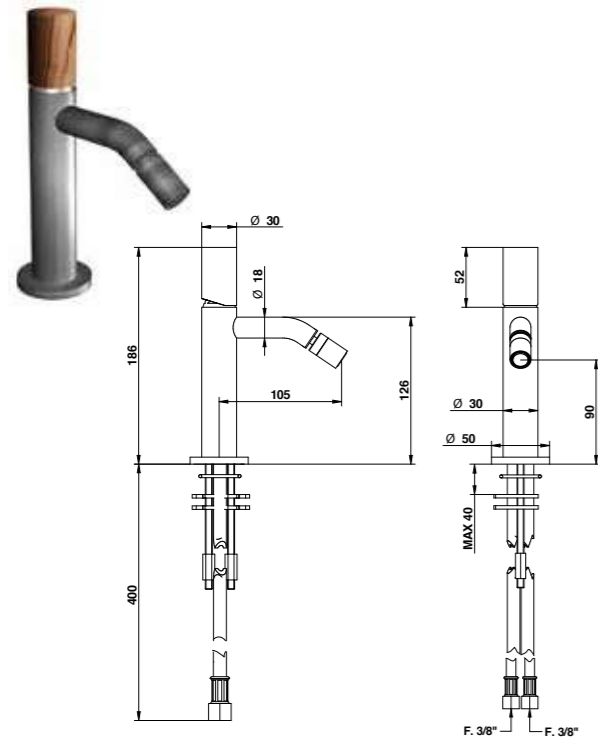




69522

Miscelatore bidet in acciaio spazzolato 316 con cartuccia tradizionale e maniglia in teak.

316 brushed stainless steel bidet mixer with traditional cartridge and teak handle.



ARTICOLO COMPLETO / COMPLETE ITEM

69522AS00
AS

ABBINABILE A / TO MATCH WITH:

Sifone / Siphon - 70067AS00

Piletta clic-clac acciaio / Stainless steel clic-clac waste - 70071AS00

RICAMBI / SPARE PARTS



9870

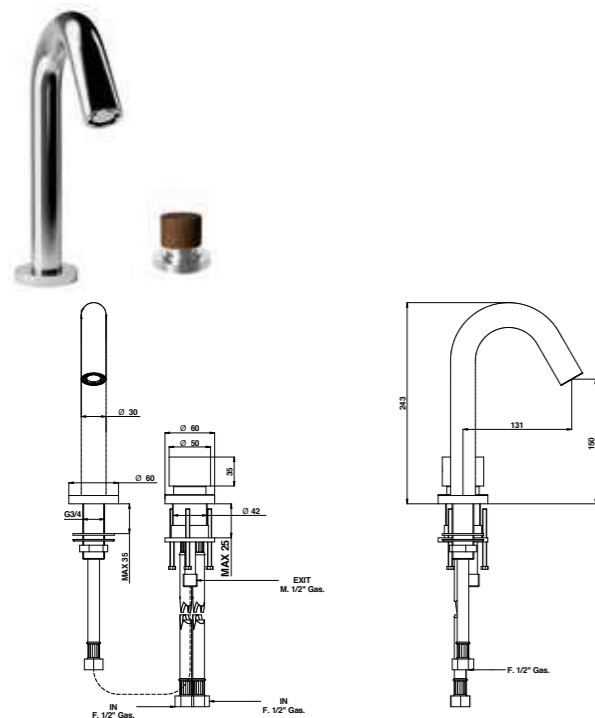


9393

69502

Gruppo lavabo bordo piano 2 fori in acciaio spazzolato 316 con cartuccia tradizionale e maniglia in teak.

316 brushed stainless steel 2 holes basin mixer with traditional cartridge.



ARTICOLO COMPLETO / COMPLETE ITEM

69502AS00
AS

ABBINABILE A / TO MATCH WITH:

Sifone / Siphon - 70067AS00

Piletta clic-clac acciaio / Stainless steel clic-clac waste - 70071AS00

RICAMBI / SPARE PARTS



9896



9391

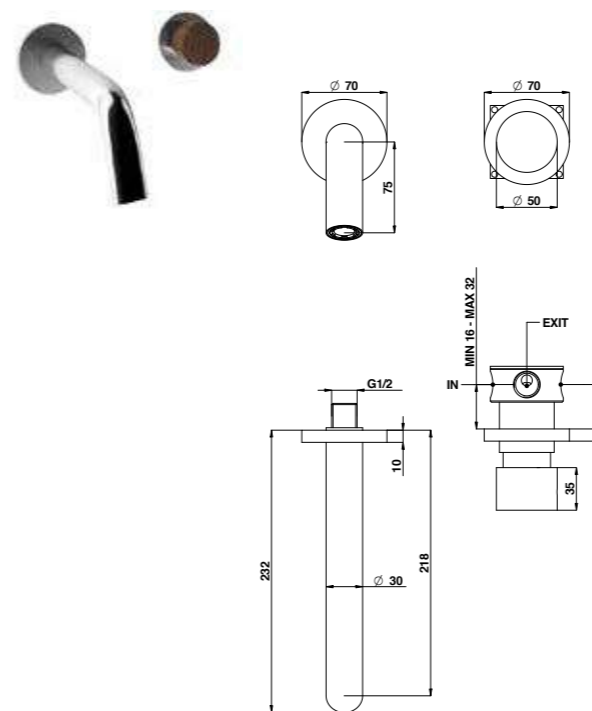
FINITURE E COLORI / FINISHES AND COLOURS



69539

Miscelatore lavabo incasso con bocca da 230 mm. in acciaio spazzolato 316, cartuccia tradizionale e maniglia in teak.

316 brushed stainless steel built-in basin mixer with 230 mms. spout, traditional cartridge with teak handle.



ARTICOLO COMPLETO / COMPLETE ITEM

69539AS00
AS

PARTE INCASSO
BUILT-IN PART

PARTE ESTERNA DA ABBINARE
EXTERNAL MATCHING PART

FINITURE / FINISHES

09689AS00

69539ASEU
AS

Disponibile con bocca Ø 21 mm 70989AS00 / Available with Ø 21 mms. spout 70989AS00

ABBINABILE A / TO MATCH WITH:

Sifone / Siphon - 70067AS00

Piletta clic-clac acciaio / Stainless steel clic-clac waste - 70071AS00

PROLUNGA / MIXER EXTENSION



00096ASPR

RICAMBI / SPARE PARTS



9896

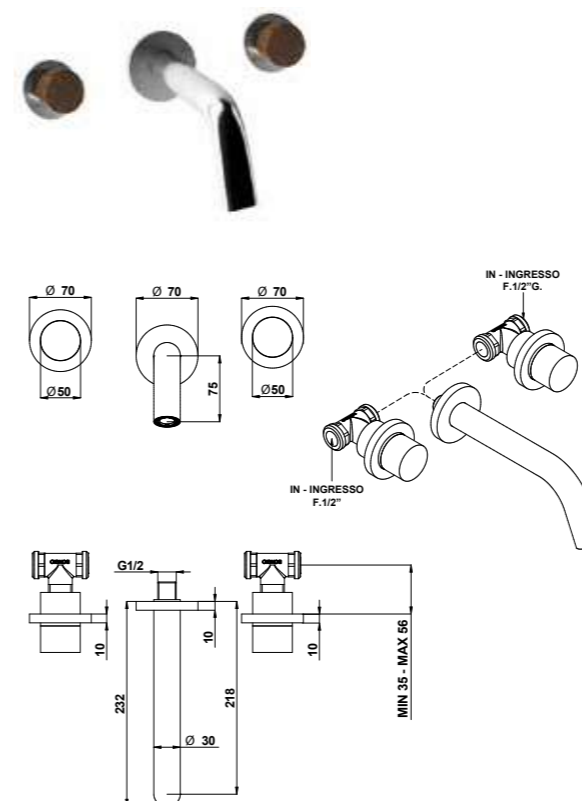


9391

69540

Gruppo lavabo a parete con bocca da 232 mm e maniglie in teak.

Wall basin mixer with 232 mms. spout and teak handles.



ARTICOLO COMPLETO / COMPLETE ITEM

69540AS00
AS

PARTE INCASSO
BUILT-IN PART

PARTE ESTERNA DA ABBINARE
EXTERNAL MATCHING PART

FINITURE / FINISHES

09688AS00

69540ASEU
AS

Disponibile con bocca Ø 21 mm 70989AS00 / Available with Ø 21 mms. spout 70989AS00

ABBINABILE A / TO MATCH WITH:

Sifone / Siphon - 70067AS00

Piletta clic-clac acciaio / Stainless steel clic-clac waste - 70071AS00

PROLUNGA / MIXER EXTENSION



00093ASPR

RICAMBI / SPARE PARTS



9792 *



9391 □



9391

* Calda / Hot
□ Fredda / Cold

ACCESSORI E RICAMBI / ACCESSORIES AND SPARE PARTS



PROLUNGA
MIXER EXTENSION



CARTUCCIA E VITONE
CARTRIDGE AND MECHANISM



AERATORE
AERATOR



FLESSIBILE
FLEXIBLE



DOCCETTA
HANDSHOWER



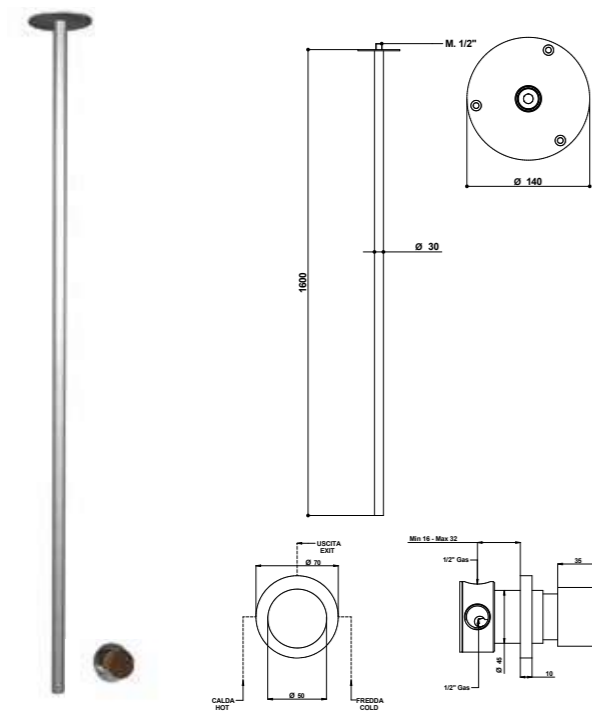
DEVIATORE
DIVERTER



69977/RM

Bocca a soffitto in acciaio spazzolato 316 con comando remoto tradizionale a muro, maniglia in teak.

316 brushed stainless steel ceiling spout with traditional built-in remote control, teak handle.



ARTICOLO COMPLETO / COMPLETE ITEM

69977ASRM
AS

PARTE INCASSO
BUILT-IN PART

PARTE ESTERNA DA ABBINARE
EXTERNAL MATCHING PART

FINITURE / FINISHES

09689AS00

69977ASRMEU
AS

ABBINABILE A / TO MATCH WITH:

Sifone / Siphon - 70067AS00

Piletta clic-clac acciaio / Stainless steel clic-clac waste - 70071AS00

PROLUNGA / MIXER EXTENSION



00096ASPR

RICAMBI / SPARE PARTS



9896

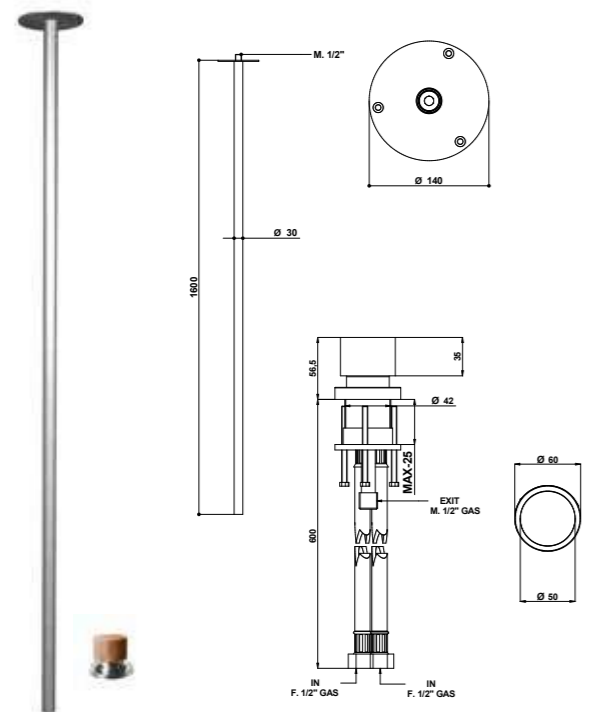


9391

69977/RP

Bocca a soffitto in acciaio spazzolato 316 con comando remoto tradizionale bordo piano, maniglia in teak.

316 brushed stainless steel ceiling spout with traditional deck remote control, teak handle.



ARTICOLO COMPLETO / COMPLETE ITEM

69977ASRP
AS

ABBINABILE A / TO MATCH WITH:

Sifone / Siphon - 70067AS00

Piletta clic-clac acciaio / Stainless steel clic-clac waste - 70071AS00

RICAMBI / SPARE PARTS



9896



9391

FINITURE E COLORI / FINISHES AND COLOURS



69524

Miscelatore doccia incasso in acciaio spazzolato 316 con cartuccia tradizionale e maniglia in teak.

316 brushed stainless steel built-in shower mixer with traditional cartridge and teak handle.



ARTICOLO COMPLETO / COMPLETE ITEM

69524AS00
AS

PARTE INCASSO
BUILT-IN PART

PARTE ESTERNA DA ABBINARE
EXTERNAL MATCHING PART

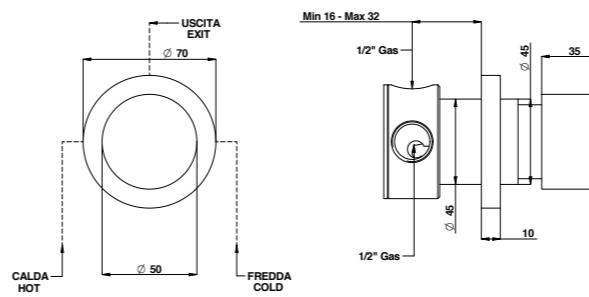
FINITURE / FINISHES

09689AS00

69524ASEU
AS

ABBINABILE A / TO MATCH WITH:

Bocca / Spout - 70800



PROLUNGA / MIXER EXTENSION



00096ASPR

RICAMBI / SPARE PARTS



9896

70544

Termostatico incasso coassiale in acciaio spazzolato 316.

316 brushed stainless steel built-in coaxial 1/2" thermostatic mixer.



ARTICOLO COMPLETO / COMPLETE ITEM

70544AS00
AS

PARTE INCASSO
BUILT-IN PART

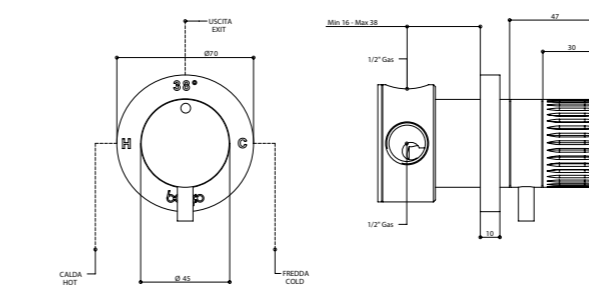
PARTE ESTERNA DA ABBINARE
EXTERNAL MATCHING PART

FINITURE / FINISHES

09697AS00
09697NE00

70544ASEU
AS

70544NEEU
NE



PROLUNGA / MIXER EXTENSION



00094ASPR



0094NEPR

RICAMBI / SPARE PARTS



9875

ACCESSORI E RICAMBI / ACCESSORIES AND SPARE PARTS



PROLUNGA
MIXER EXTENSION



CARTUCCIA E VITONE
CARTRIDGE AND MECHANISM



AERATORE
AERATOR



FLESSIBILE
FLEXIBLE



DOCCETTA
HANDSHOWER

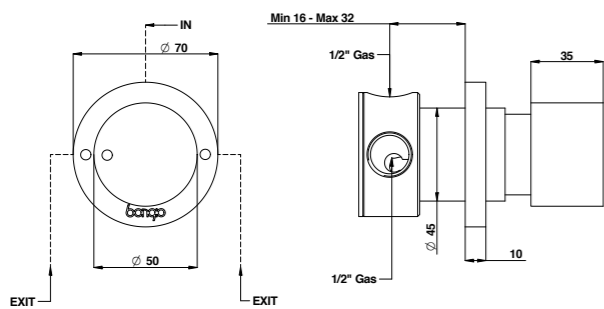


DEVIATORE
DIVERTER



69525

Deviatore incasso 2 vie (1 entrata - 2 uscite) in acciaio spazzolato 316 con maniglia in teak. / 316 brushed stainless steel 2 ways (1 in - 2 out) with teak handle.



ARTICOLO COMPLETO / COMPLETE ITEM

69525AS00
AS

PARTE INCASSO BUILT-IN PART PARTE ESTERNA DA ABBINARE EXTERNAL MATCHING PART

FINITURE / FINISHES

09696AS71 69525ASEU
AS

PROLUNGA / MIXER EXTENSION

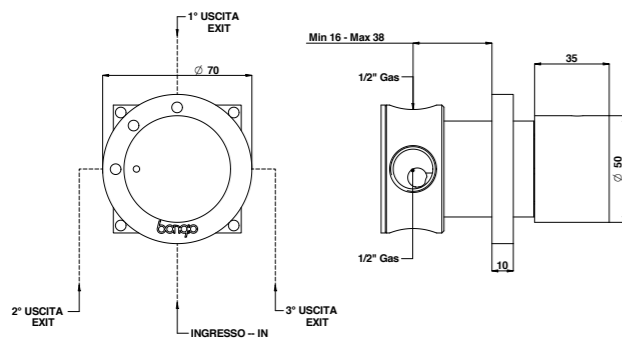
00096ASPR

RICAMBI / SPARE PARTS

9821

69525/3

Deviatore incasso 3 vie (1 entrata - 3 uscite) in acciaio spazzolato 316 con maniglia in teak. / 316 brushed stainless steel 3 ways (1 in - 3 out) with teak handle.



ARTICOLO COMPLETO / COMPLETE ITEM

69525AS03
AS

PARTE INCASSO BUILT-IN PART PARTE ESTERNA DA ABBINARE EXTERNAL MATCHING PART

FINITURE / FINISHES

09696AS03 69525AS03EU
AS

PROLUNGA / MIXER EXTENSION

00098ASPR

RICAMBI / SPARE PARTS

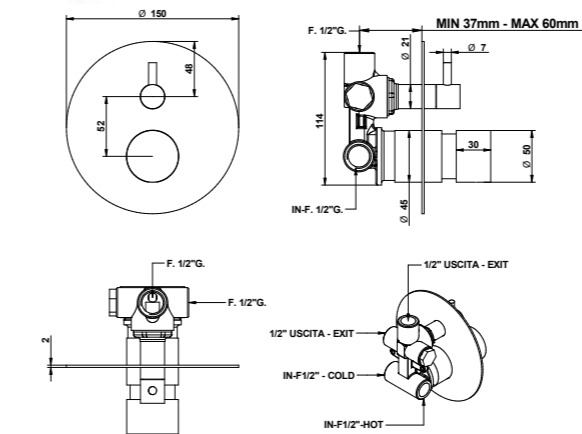
9807

FINITURE E COLORI / FINISHES AND COLOURS



69519

Miscelatore doccia incasso in acciaio spazzolato 316 con deviatore a 2 uscite meccanico, cartuccia tradizionale e maniglia in TEAK. / 316 brushed stainless steel built-in mixer with 2 exits mechanical diverter, traditional cartridge and TEAK handle.



ARTICOLO COMPLETO / COMPLETE ITEM

69519AS00
AS

PARTE INCASSO BUILT-IN PART PARTE ESTERNA DA ABBINARE EXTERNAL MATCHING PART

FINITURE / FINISHES

9663AS 69519ASEU
AS

Corpo incasso in ottone e parti esterne in acciaio inox 316. / Brass built-in part and 316 brushed stainless steel external parts.

PROLUNGA / MIXER EXTENSION

70102NSPRP3

OPTIONAL: Scatola incasso per cartongesso / Built-in box for drywall and cavity wall 09702PBOX

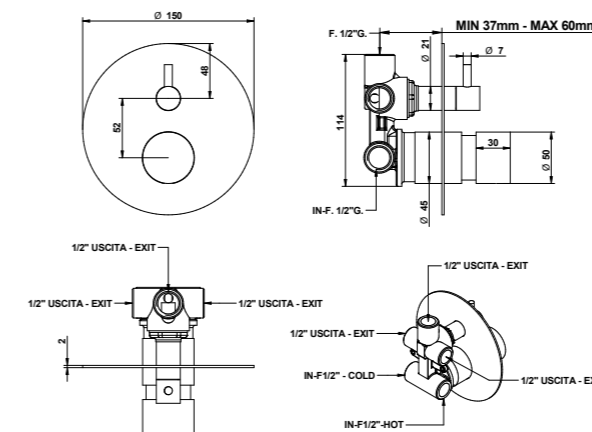
RICAMBI / SPARE PARTS

9813/71

9861

69519/3

Miscelatore doccia incasso in acciaio spazzolato 316 con deviatore meccanico a 3 uscite, cartuccia tradizionale e maniglia in TEAK. / 316 brushed stainless steel built-in mixer with 3 exits mechanical diverter, traditional cartridge and TEAK handle.



ARTICOLO COMPLETO / COMPLETE ITEM

69519AS03
AS

PARTE INCASSO BUILT-IN PART PARTE ESTERNA DA ABBINARE EXTERNAL MATCHING PART

FINITURE / FINISHES

9663AS03 69519AS03EU
AS

Corpo incasso in ottone e parti esterne in acciaio inox 316. / Brass built-in part and 316 brushed stainless steel external parts.

PROLUNGA / MIXER EXTENSION

70102NSPRP3

OPTIONAL: Scatola incasso per cartongesso / Built-in box for drywall and cavity wall 09702PBOX

RICAMBI / SPARE PARTS

9813/71

09860

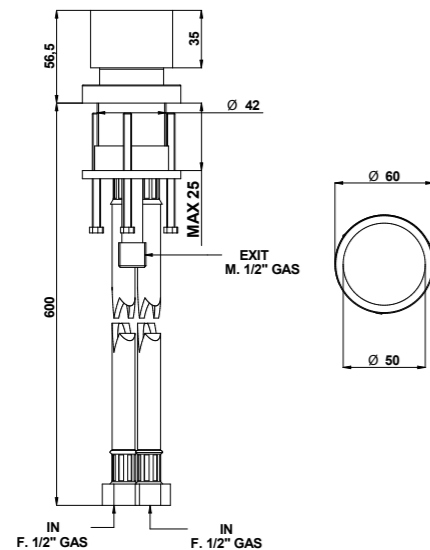
ACCESSORI E RICAMBI / ACCESSORIES AND SPARE PARTS





69520

Miscelatore bordo piano in acciaio spazzolato 316 con cartuccia tradizionale e maniglia in teak. 316 brushed stainless steel mixer for deck installation with traditional cartridge and teak handle.



ARTICOLO COMPLETO / COMPLETE ITEM

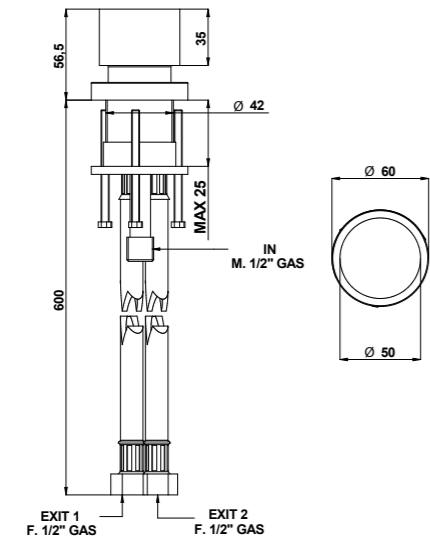
69520AS00
AS

RICAMBI / SPARE PARTS

9896

69535

Deviatore bordo vasca 2 vie (1 entrata - 2 uscite) in acciaio spazzolato 316 con maniglia in teak. 316 brushed stainless steel 2 ways (1 in - 2 out) deck bath diverter with teak handle.



ARTICOLO COMPLETO / COMPLETE ITEM

69535AS00
AS

RICAMBI / SPARE PARTS

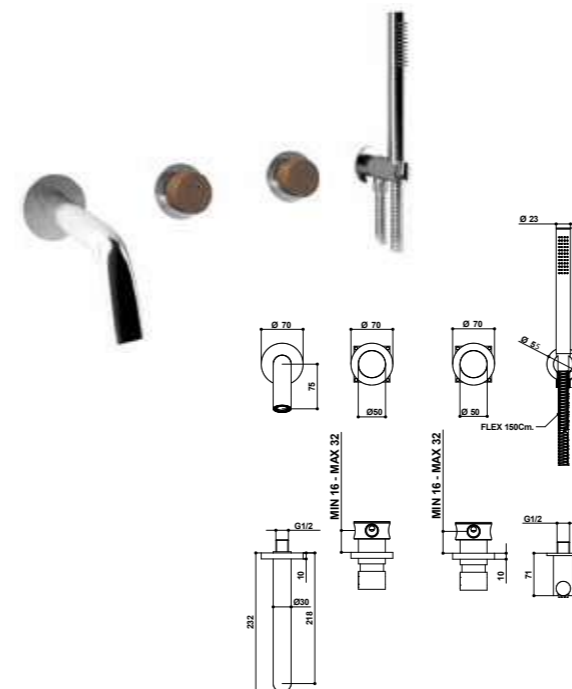
9821

FINITURE E COLORI / FINISHES AND COLOURS



69530/D

Gruppo vasca incasso con set doccia in acciaio spazzolato 316, cartuccia tradizionale e maniglia in teak. 316 brushed stainless steel bath & shower mixer with shower set, traditional cartridge and teak handles.



ARTICOLO COMPLETO / COMPLETE ITEM

69530AS0D
AS

PARTE INCASSO BUILT-IN PART	PARTE ESTERNA DA ABBINARE EXTERNAL MATCHING PART
---------------------------------------	--

FINITURE / FINISHES

09687AS00 **69530AS0DEU**
AS

PROLUNGA / MIXER EXTENSION

00096ASPR Deviatore / Diverter	00096ASPR Miscelatore / Mixer
--	---

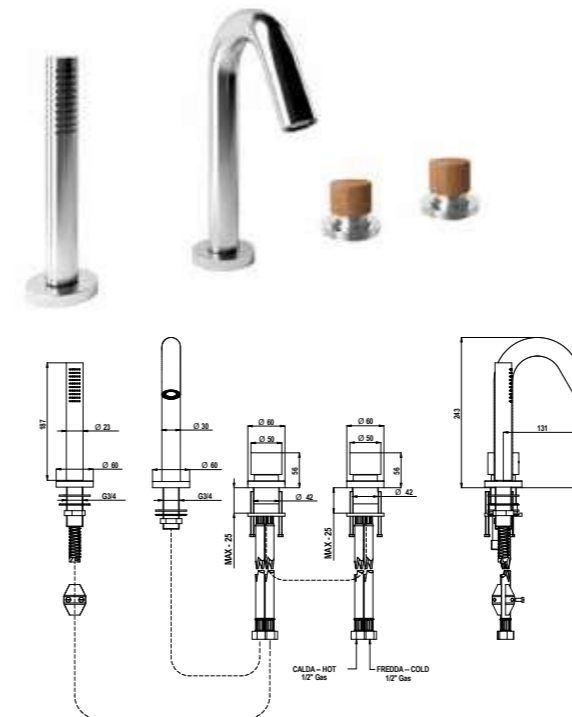
RICAMBI / SPARE PARTS

9896 *	9821 †
9391	09600ASPV
70850AS	

* Cartuccia miscelatore / Mixer cartridge
† Cartuccia deviatrice / Diverter cartridge

69531/D

Miscelatore bordo vasca con set doccia in acciaio spazzolato 316 con cartuccia tradizionale e maniglia in teak. 316 brushed stainless steel bath & shower mixer with shower set, traditional cartridge and teak handles.



ARTICOLO COMPLETO / COMPLETE ITEM

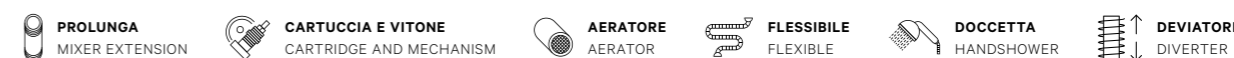
69531AS0D
AS

RICAMBI / SPARE PARTS

9896 *	9821 †
9391	09606AS
70850AS	

* Cartuccia miscelatore / Mixer cartridge
† Cartuccia deviatrice / Diverter cartridge

ACCESSORI E RICAMBI / ACCESSORIES AND SPARE PARTS

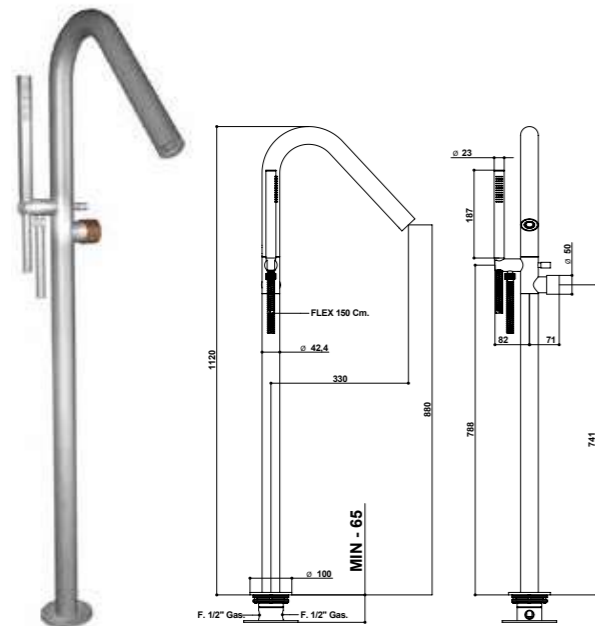




69534/D

Miscelatore vasca da terra in acciaio spazzolato 316 con cartuccia tradizionale e set doccia.

316 brushed stainless steel floor mounted bath mixer with traditional cartridge and handshower set.



ARTICOLO COMPLETO / COMPLETE ITEM

69534AS0D
AS

PARTE INCASSO
BUILT-IN PART

PARTE ESTERNA DA ABBINARE
EXTERNAL MATCHING PART

FINITURE / FINISHES

09744AS00

69534AS0DEU
AS

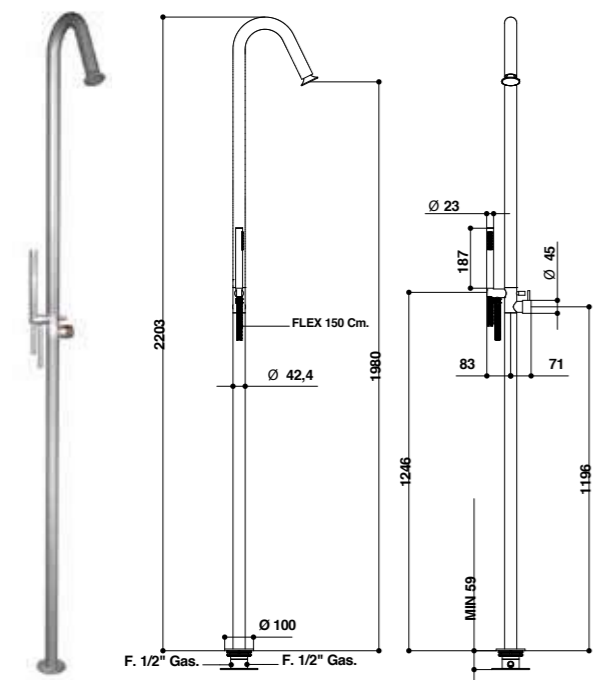
RICAMBI / SPARE PARTS

	9896		9391
	09600ASPV		70850AS
	00137AS		

69131/D

Colonna doccia a pavimento in acciaio spazzolato 316 con miscelatore a cartuccia tradizionale, deviatore, set doccia e regolazione effetto bolla acqua e maniglia in teak.

316 brushed stainless steel floor mounted shower column with traditional cartridge, diverter, shower set and flow regulation "bubble effect".



ARTICOLO COMPLETO / COMPLETE ITEM

69131AS0D - 69131ASRD *
AS

PARTE INCASSO
BUILT-IN PART

PARTE ESTERNA DA ABBINARE
EXTERNAL MATCHING PART

FINITURE / FINISHES

09744AS00

69131AS0DEU - 69131AS
RDEU
AS

* Disponibile con erogazione getto a pioggia / Available with rain shower erogation

RICAMBI / SPARE PARTS

	9896		9600ASPV
	70850AS		00137AS

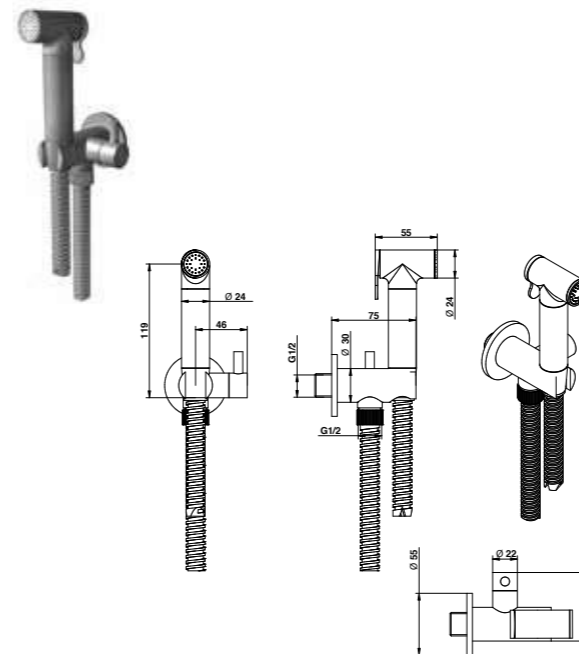
FINITURE E COLORI / FINISHES AND COLOURS



70904

Set doccia bidet a muro per wc in acciaio spazzolato 316 con presa acqua e rubinetto apri-chiudi.

316 brushed stainless steel shattaff shower set for wc with water supply and open-close tap.



ARTICOLO COMPLETO / COMPLETE ITEM

70904AS00
AS

Non disponibile in altre finiture. / Not available in other finishes.

ABBINABILE A / TO MATCH WITH:

Miscelatori / Mixer - 70524
Miscelatore / Mixer - 71524
Miscelatore / Mixer - 73524
Miscelatore / Mixer - 69524

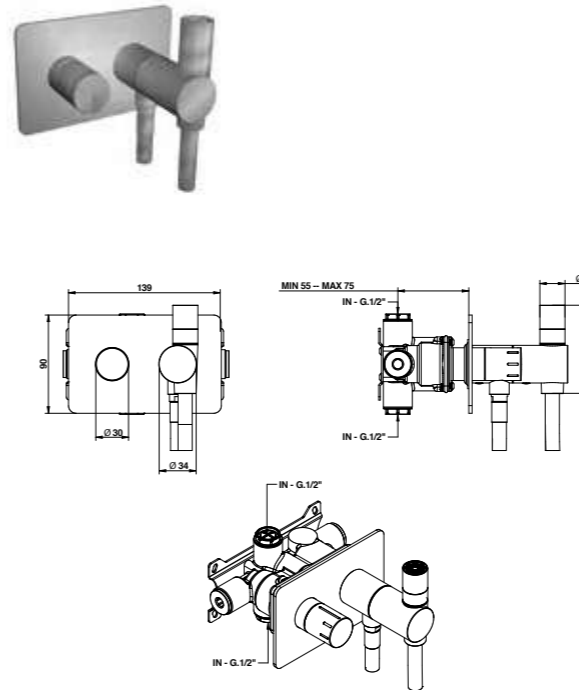
RICAMBI / SPARE PARTS

	70904VI00		70904ASDO
	9612ASPV		

70944 NEW

Termostatico incasso con doccetta multifunzione wc e idroscoopino in acciaio spazzolato 316.

316 stainless steel thermostatic mixer with multifunctional handshower for both shattaff and hydrobrushes.



ARTICOLO COMPLETO / COMPLETE ITEM

70944AS00
AS

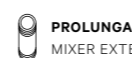
Non disponibile in altre finiture. / Not available in other finishes.

Ideale per zone wellness. / Ideal for wellness areas.

RICAMBI / SPARE PARTS

	70944CA00		70944ASDO
--	-----------	--	-----------

ACCESSORI E RICAMBI / ACCESSORIES AND SPARE PARTS



PROLUNGA
MIXER EXTENSION



CARTUCCIA E VITONE
CARTRIDGE AND MECHANISM



AERATORE
AERATOR



FLESSIBILE
FLEXIBLE



DOCCETTA
HANDSHOWER



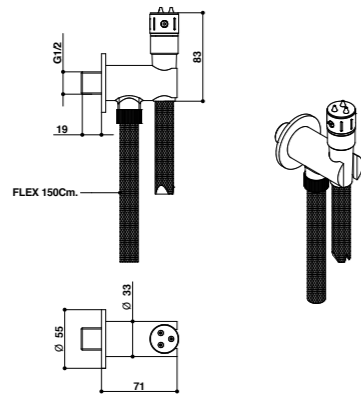
DEVIATORE
DIVERTER



70904/ID NEW

Set idroscopio a muro per wc in acciaio spazzolato 316 con presa acqua e doccino apri-chiudi.

316 brushed stainless steel hydrobrushes toilet set for wc with water supply and open-close handshower.



ARTICOLO COMPLETO / COMPLETE ITEM

70904ASID
AS

Non disponibile in altre finiture. / Not available in other finishes.

RICAMBI / SPARE PARTS

70904ASDI *

* Completo di flessibile / With flexible

70071

Scarico in acciaio spazzolato 316, clic clac 1.1/4".

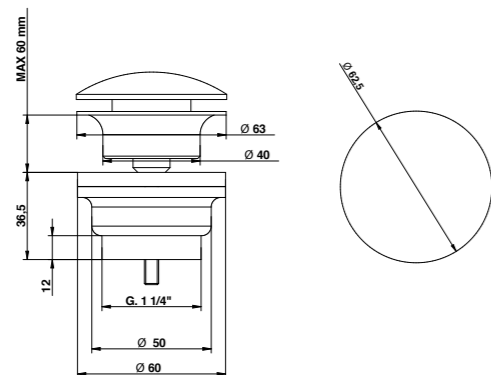
316 brushed stainless steel, clic clac 1.1/4" waste.



ARTICOLO COMPLETO / COMPLETE ITEM

70071AS00
AS

Non disponibile in altre finiture. / Not available in other finishes.

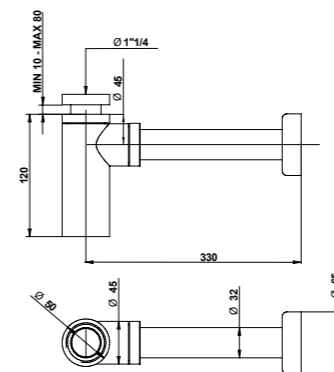
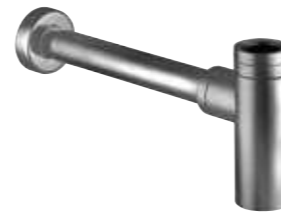


FINITURE E COLORI / FINISHES AND COLOURS



70067 NEW

Sifone 1.1/4" in acciaio spazzolato 316. 316 brushed stainless steel 1.1/4" siphon.



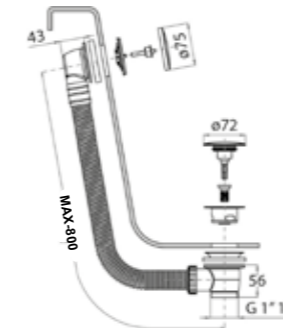
ARTICOLO COMPLETO / COMPLETE ITEM

70067AS00
AS

73062 NEW

Colonna scarico vasca con tappo clic-clac in acciaio spazzolato 316.

316 brushed steel automatic popup bathtub drain column with clic-clac waste.



ARTICOLO COMPLETO / COMPLETE ITEM

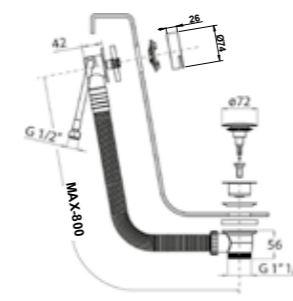
73062AS00
AS

Non disponibile in altre finiture. / Not available in other finishes.

73063 NEW

Colonna scarico vasca con erogazione dal troppopieno e tappo clic clac in acciaio spazzolato 316.

316 brushed steel automatic popup bathtub drain column with water inlet through overflow and clic clac waste.



ARTICOLO COMPLETO / COMPLETE ITEM

73063AS00
AS

Non disponibile in altre finiture. / Not available in other finishes.

ACCESSORI E RICAMBI / ACCESSORIES AND SPARE PARTS



PROLUNGA
MIXER EXTENSION



CARTUCCIA E VITONE
CARTRIDGE AND MECHANISM



AERATORE
AERATOR



FLESSIBILE
FLEXIBLE



DOCCETTA
HANDSHOWER



DEVIATORE
DIVERTER



TIME2020 KITCHEN



Art. 70590AS00

FINITURE E COLORI / FINISHES AND COLOURS



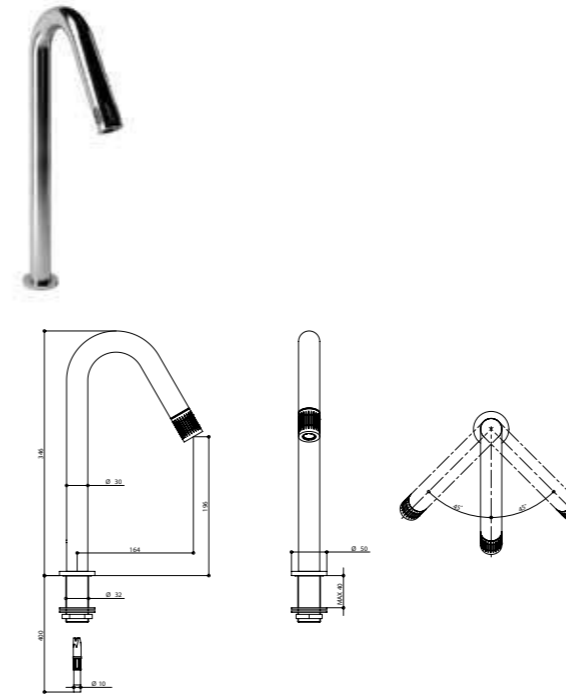
INOX 316 COLLECTION

TIME2020 contribuisce ai CREDITI LEED®. / TIME2020 contributes to meet LEED® CREDITS.
(Leadership in Energy and Environmental Design of the U.S. Green Building Council, GREEN BUILDING PROGRAM)

70580

Miscelatore lavello girevole in acciaio spazzolato inox 316 (alto 346 mm) con cartuccia progressiva inclusa nella bocca.

316 brushed stainless steel kitchen mixer (346 mm. high) swivel with progressive cartridge placed in the spout.



ARTICOLO COMPLETO / COMPLETE ITEM

70580AS00
AS

Non disponibile in altre finiture. / Not available in other finishes.

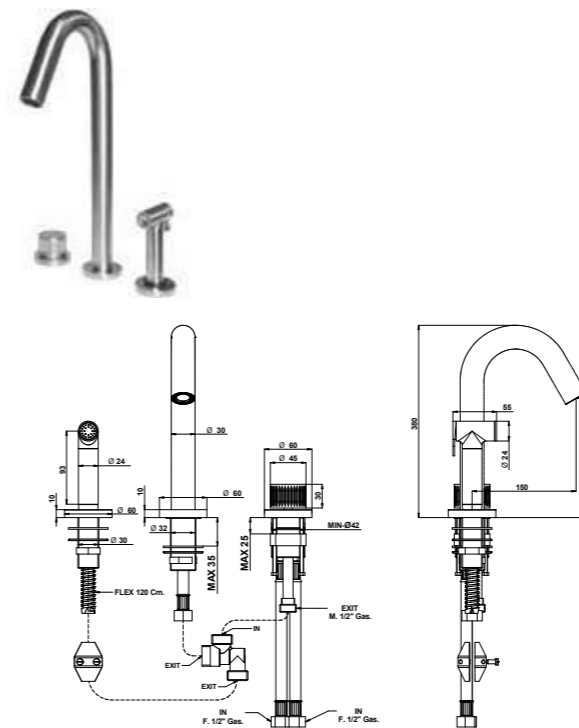
RICAMBI / SPARE PARTS

	9880		9390
--	------	--	------

70590

Gruppo 3 fori lavello cucina con bocca girevole, miscelatore con cartuccia progressiva e set doccia estraibile con deviatore automatico in acciaio spazzolato 316.

316 brushed stainless steel 3 holes sink mixer with swivel spout, mixer with progressive cartridge and extractable shower set with automatic diverter.



ARTICOLO COMPLETO / COMPLETE ITEM

70590AS00
AS

Non disponibile in altre finiture. / Not available in other finishes.

RICAMBI / SPARE PARTS

	9822		9391
	09612AS		70904AS00
	70590ASDV		

ACCESSORI E RICAMBI / ACCESSORIES AND SPARE PARTS

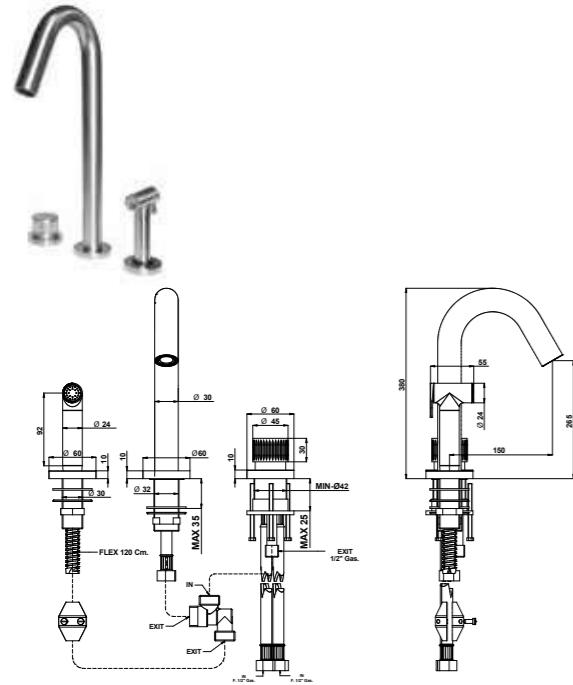




71590

Gruppo 3 fori lavello cucina con bocca girevole, miscelatore con cartuccia tradizionale e set doccia estraibile con deviatore automatico in acciaio spazzolato 316.

316 brushed stainless steel 3 holes sink mixer with swivel spout, mixer with traditional cartridge and extractable shower set with automatic diverter.



ARTICOLO COMPLETO / COMPLETE ITEM

71590AS00
AS

Non disponibile in altre finiture. / Not available in other finishes.

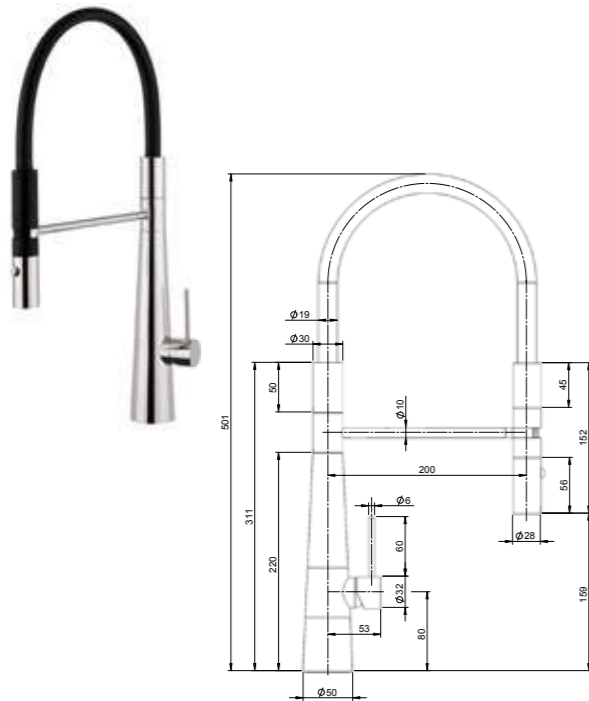
RICAMBI / SPARE PARTS

9896	9391
09612AS	70904AS00
70590ASDV	

70080

Miscelatore lavello in acciaio spazzolato 316 con bocca girevole e doccetta estensibile con doppio getto.

316 brushed stainless steel sink mixer with swivel spout, with double jet.



ARTICOLO COMPLETO / COMPLETE ITEM

70080AS00
AS

Non disponibile in altre finiture. / Not available in other finishes.

RICAMBI / SPARE PARTS

9897	9394
------	------

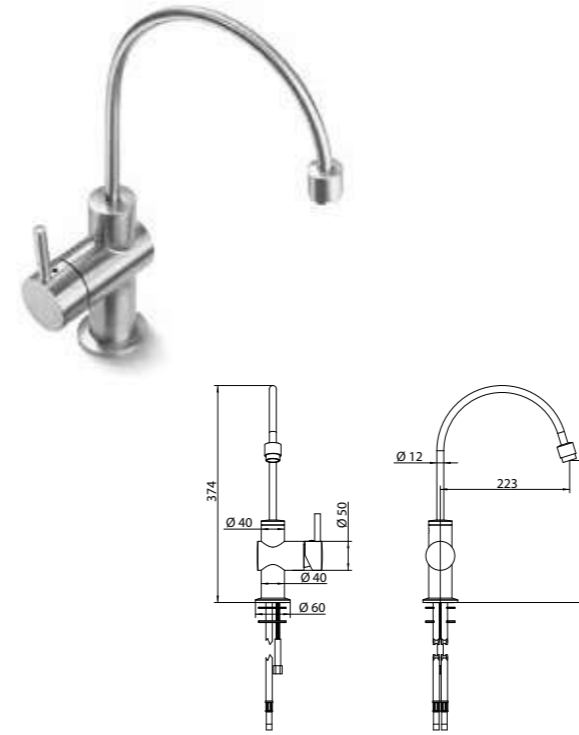
FINITURE E COLORI / FINISHES AND COLOURS



70180

Miscelatore lavello in acciaio 316 con bocca girevole.

316 brushed stainless steel single hole kitchen mixer with swivel spout.



ARTICOLO COMPLETO / COMPLETE ITEM

70180AS00
AS

Non disponibile in altre finiture. / Not available in other finishes.

RICAMBI / SPARE PARTS

9812	9995
------	------



Art. 70539AS00

ACCESSORI E RICAMBI / ACCESSORIES AND SPARE PARTS



PROLUNGA
MIXER EXTENSION



CARTUCCIA E VITONE
CARTRIDGE AND MECHANISM



AERATORE
AERATOR



FLESSIBILE
FLEXIBLE



DOCCETTA
HANDSHOWER



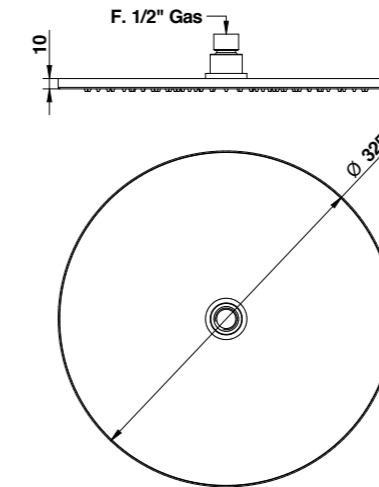
DEVIATORE
DIVERTER


TIME2020 WELLNESS


Art. 70883AS00 - Art. 70802AS40 - Art. 70870AS00 - Art. 70899AS00 - Art. 70524AS00 - Art. 70525AS00

FINITURE E COLORI / FINISHES AND COLOURS

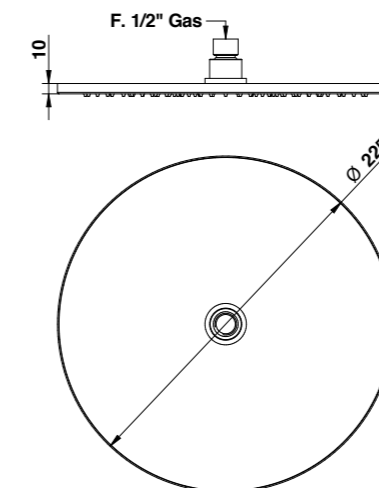
70883

 Soffione doccia tondo ø 325 mm in acciaio spazzolato 316, ispezionabile. / 316 brushed stainless steel ø 325 mms. round shower, inspectable.

ARTICOLO COMPLETO / COMPLETE ITEM
70883AS00
AS

70883NE00
NE

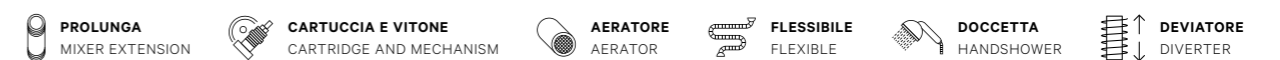
Sistema anticalcare Fast Clean. Pressione dinamica minima di utilizzo 1 bar. Portata a pressione dinamica 3 bar - 15 l/min. / Fast Clean shower. Minimum dynamic pressure of use 1 bar. Flow rates at dynamic pressure 3 bar - 15 l/min.

Non disponibile in altre finiture. / Not available in other finishes.
70880

 Soffione doccia tondo ø 225 mm in acciaio spazzolato 316, ispezionabile. / 316 brushed stainless steel ø 225 mms. round shower, inspectable.

ARTICOLO COMPLETO / COMPLETE ITEM
70880AS00
AS

70880NE00
NE

Sistema anticalcare Fast Clean. Pressione dinamica minima di utilizzo 1 bar. Portata a pressione dinamica 3 bar - 9 l/min. / Fast Clean shower. Minimum dynamic pressure of use 1 bar. Flow rates at dynamic pressure 3 bar - 9 l/min.

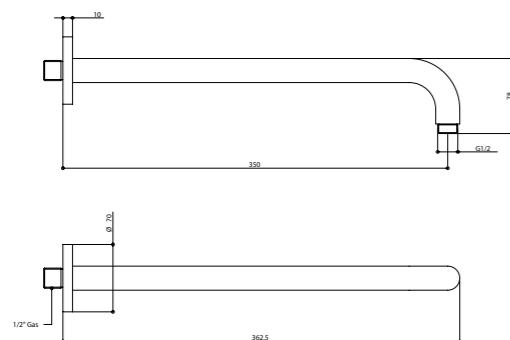
Non disponibile in altre finiture. / Not available in other finishes.
ACCESSORI E RICAMBI / ACCESSORIES AND SPARE PARTS




70802/35

Braccio doccia 350 mm in acciaio spazzolato 316.

316 brushed stainless steel 350 mms. shower arm.



ARTICOLO COMPLETO / COMPLETE ITEM

70802AS35
AS

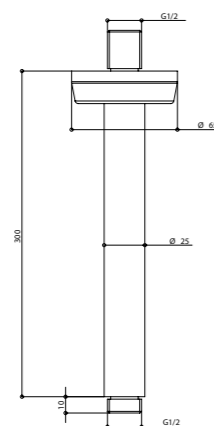
70802NE35
NE

Non disponibile in altre finiture. / Not available in other finishes.

70804

Braccio doccia a soffitto da 300 mm in acciaio spazzolato 316.

316 brushed stainless steel mms. 300 ceiling shower arm.



ARTICOLO COMPLETO / COMPLETE ITEM

70804AS00
AS

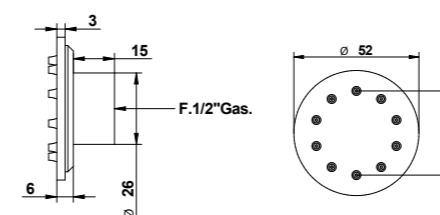
70804NE00
NE

Non disponibile in altre finiture. / Not available in other finishes.

70867/RO INOX

Soffioncino laterale tondo, getto a pioggia in acciaio spazzolato 316.

316 brushed stainless steel round body spray, rain function.



ARTICOLO COMPLETO / COMPLETE ITEM

70867ASRO
AS

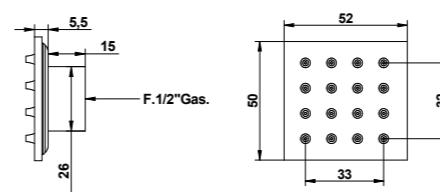
Sistema anticalcare Fast Clean. Pressione dinamica minima di utilizzo 1 bar. Portata a pressione dinamica: con limitatore 1-5 bar - 5 l/min. / Fast Clean shower. Minimum dynamic pressure of use 1 bar. Flow rates at dynamic pressure: with limitation system 1-5 bar - 5 l/min.

Non disponibile in altre finiture. / Not available in other finishes.

70867/QU INOX

Soffioncino laterale quadrato, getto a pioggia in acciaio spazzolato 316.

316 brushed stainless steel square body spray, rain function.



ARTICOLO COMPLETO / COMPLETE ITEM

70867ASQU
AS

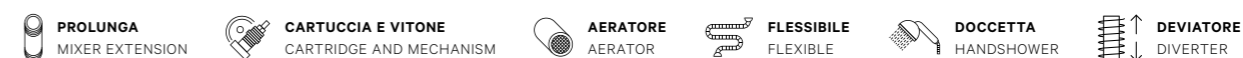
Sistema anticalcare Fast Clean. Pressione dinamica minima di utilizzo 1 bar. Portata a pressione dinamica: con limitatore 1-5 bar - 6 l/min. / Fast Clean shower. Minimum dynamic pressure of use 1 bar. Flow rates at dynamic pressure: with limitation system 1-5 bar - 6 l/min.

Non disponibile in altre finiture. / Not available in other finishes.

FINITURE E COLORI / FINISHES AND COLOURS



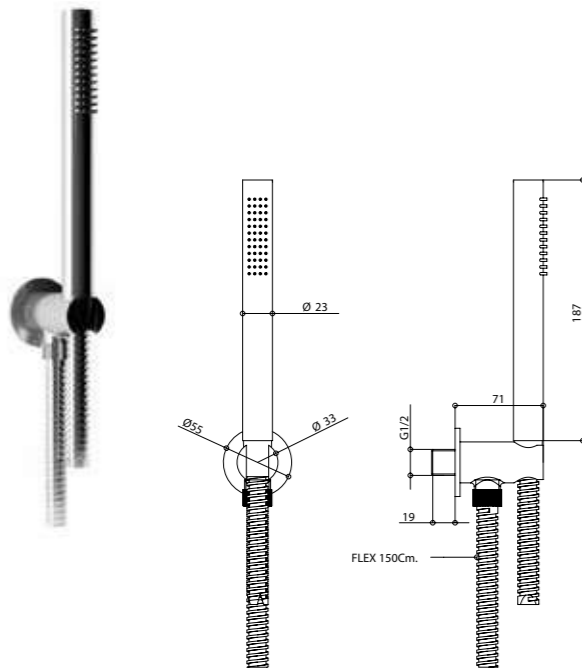
ACCESSORI E RICAMBI / ACCESSORIES AND SPARE PARTS





70830

Set doccia duplex con erogazione in acciaio spazzolato 316. 316 brushed stainless steel hand shower set with water supply.



ARTICOLO COMPLETO / COMPLETE ITEM

70830AS00
AS

Sistema anticalcare Fast Clean. Pressione dinamica minima di utilizzo 1 bar. Portata a pressione dinamica 1-5 bar - 5 l/min. / Fast Clean shower. Minimum dynamic pressure of use 1 bar. Flow rates at dynamic pressure 1-5 bar - 5 l/min.

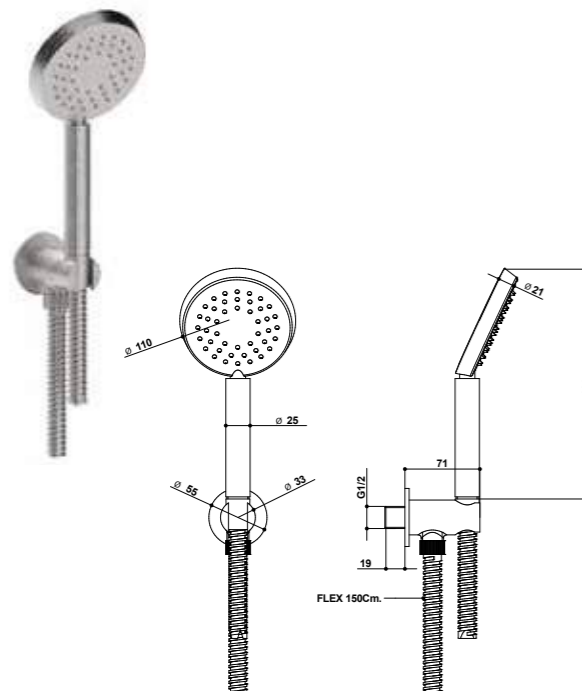
Non disponibile in altre finiture. / Not available in other finishes.

RICAMBI / SPARE PARTS

	9600ASPV		70850AS
--	----------	--	---------

70936 INOX

Set doccia duplex con erogazione con doccetta monogetto tonda Ø 110mm, in acciaio spazzolato 316. 316 brushed stainless steel, Ø 110mm. Round single function hand shower set with water supply.



ARTICOLO COMPLETO / COMPLETE ITEM

70936AS00
AS

Sistema anticalcare Fast Clean. Articolo collezione Time2020 / Fast Clean shower. Item collection Time2020.

RICAMBI / SPARE PARTS

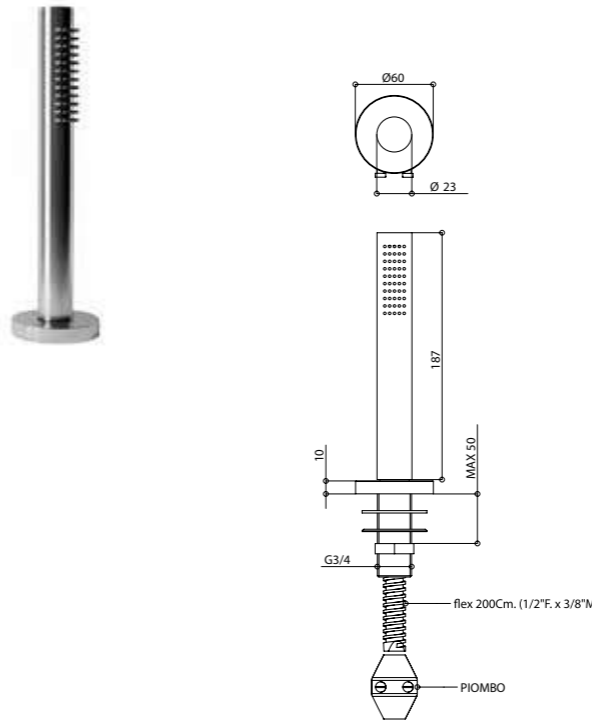
	09600ASPV		70923AS00
--	-----------	--	-----------

FINITURE E COLORI / FINISHES AND COLOURS



70840

Set doccetta bordo vasca in acciaio spazzolato 316. 316 brushed stainless steel deck bath handshower set.



ARTICOLO COMPLETO / COMPLETE ITEM

70840AS00
AS

Sistema anticalcare Fast Clean. Pressione dinamica minima di utilizzo 1 bar. Portata a pressione dinamica 1-5 bar - 5 l/min. / Fast Clean shower. Minimum dynamic pressure of use 1 bar. Flow rates at dynamic pressure 1-5 bar - 5 l/min.

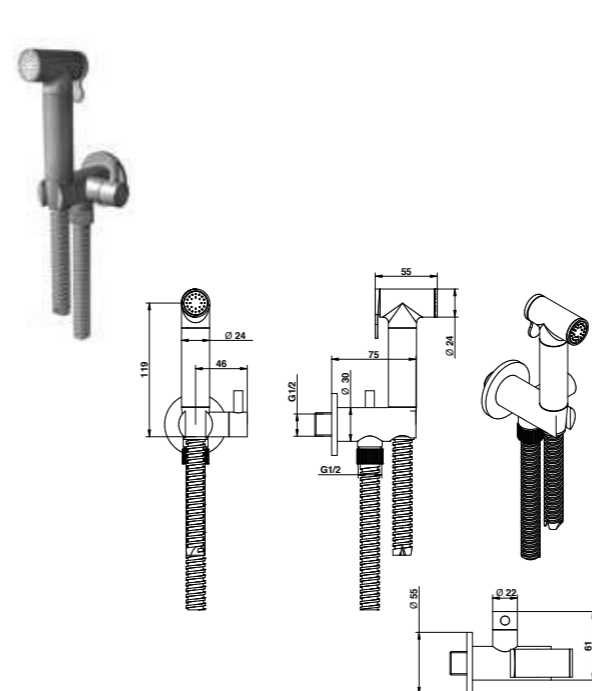
Non disponibile in altre finiture. / Not available in other finishes.

RICAMBI / SPARE PARTS

	70850AS		9606AS
--	---------	--	--------

70904

Set doccia bidet a muro per wc in acciaio spazzolato 316 con presa acqua e rubinetto apri-chiudi. 316 brushed stainless steel shattaff shower set for wc with water supply and open-close tap.



ARTICOLO COMPLETO / COMPLETE ITEM

70904AS00
AS

Non disponibile in altre finiture. / Not available in other finishes.

ABBINABILE A / TO MATCH WITH:
Miscelatori / Mixer - 70524
Miscelatore / Mixer - 71524
Miscelatore / Mixer - 73524
Miscelatore / Mixer - 69524

RICAMBI / SPARE PARTS

	70904VI00		70904ASDO
--	-----------	--	-----------

9612ASPV

ACCESSORI E RICAMBI / ACCESSORIES AND SPARE PARTS



PROLUNGA
MIXER EXTENSION



CARTUCCIA E VITONE
CARTRIDGE AND MECHANISM



AERATORE
AERATOR



FLESSIBILE
FLEXIBLE



DOCCETTA
HANDSHOWER



DEVIATORE
DIVERTER

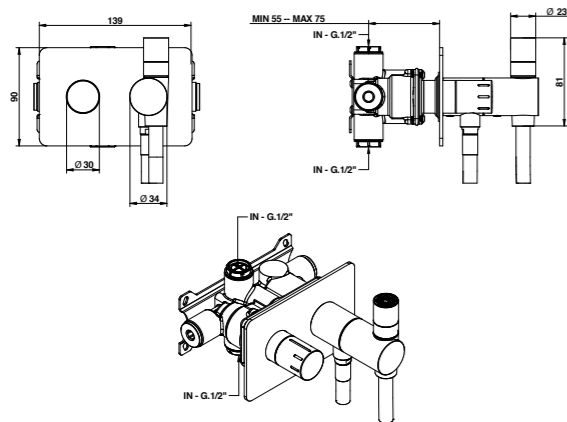


bongio

70944 NEW

Termostatico incasso con doccetta multifunzione wc e idroscopino in acciaio spazzolato 316.

316 stainless steel thermostatic mixer with multifunctional handshower for both shattaff and hydrobrushes.



ARTICOLO COMPLETO / COMPLETE ITEM

70944AS00
AS

Non disponibile in altre finiture. / Not available in other finishes.

Ideale per zone wellness. / Ideal for wellness areas.

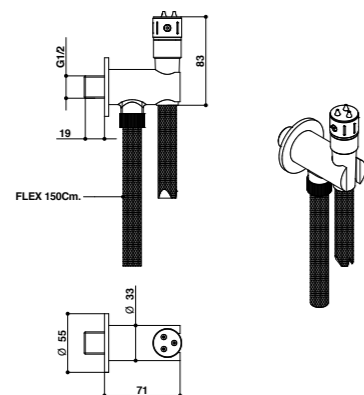
RICAMBI / SPARE PARTS

	70944CA00		70944ASD0
--	-----------	--	-----------

70904/ID NEW

Set idroscopino a muro per wc in acciaio spazzolato 316 con presa acqua e doccino apri-chiudi.

316 brushed stainless steel hydrobrushes toilet set for wc with water supply and open-close handshower.



ARTICOLO COMPLETO / COMPLETE ITEM

70904ASID
AS

Non disponibile in altre finiture. / Not available in other finishes.

RICAMBI / SPARE PARTS

	70904ASDI *
--	-------------

* Completo di flessibile / With flexible

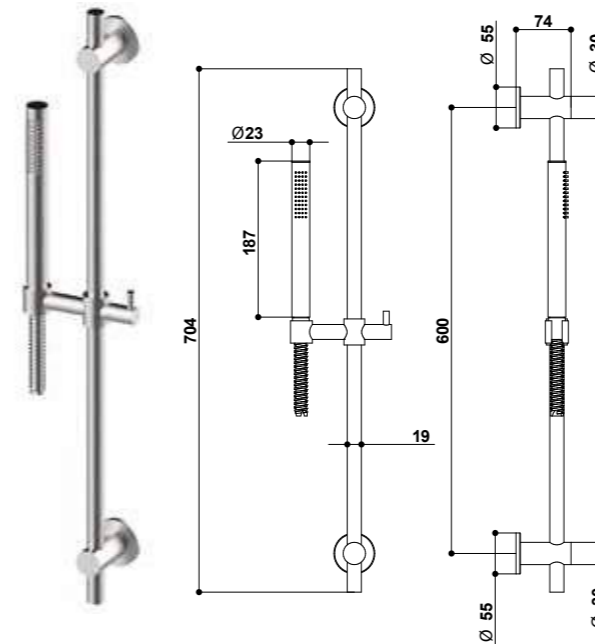
FINITURE E COLORI / FINISHES AND COLOURS



70870

Saliscendi minimalista interamente realizzato in acciaio spazzolato 316, con doccetta monogetto, supporti asta, doccetta flessibile, doppia aggiratura.

316 brushed stainless steel, round minimalist sliding rail with single function, and 316 brushed stainless steel wall hole and slider brackets and double interlock.



ARTICOLO COMPLETO / COMPLETE ITEM

70870AS00
AS

Sistema anticalcare Fast Clean. Pressione dinamica minima di utilizzo 1 bar. Portata a pressione dinamica 1-5 bar - 5 l/min. / Fast Clean shower. Minimum dynamic pressure of use 1 bar. Flow rates at dynamic pressure 1-5 bar - 5 l/min.

Non disponibile in altre finiture. / Not available in other finishes.

ABBINABILE A / TO MATCH WITH:
Presa acqua / Water supply - **70899 - 70896**

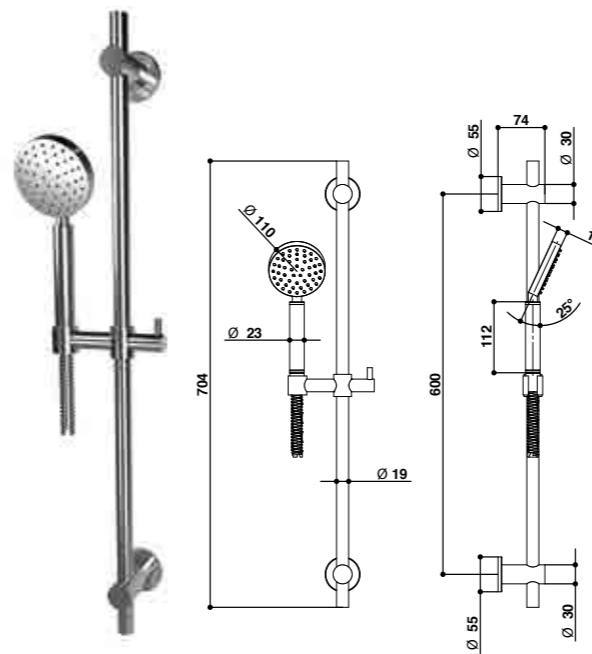
RICAMBI / SPARE PARTS

	9600ASPV		70850AS
--	----------	--	---------

70976

Saliscendi minimalista interamente realizzato in acciaio spazzolato 316, con doccetta monogetto tonda Ø 110 mm, supporti asta e flessibile doppia aggiratura.

316 brushed stainless steel, round minimalist sliding rail with Ø 110 mms. round handshower single function and steel wall hole and slider brackets and double interlock hose.



ARTICOLO COMPLETO / COMPLETE ITEM

70976AS00
AS

Sistema anticalcare Fast Clean. Pressione dinamica minima di utilizzo 1 bar. Portata a pressione dinamica 1-5 bar - 8 l/min. / Fast Clean shower. Minimum dynamic pressure of use 1 bar. Flow rates at dynamic pressure 1-5 bar - 8 l/min.

Non disponibile in altre finiture. / Not available in other finishes.

ABBINABILE A / TO MATCH WITH:
Presa acqua / Water supply - **70899**

RICAMBI / SPARE PARTS

	9600ASPV		70923AS
--	----------	--	---------

ACCESSORI E RICAMBI / ACCESSORIES AND SPARE PARTS

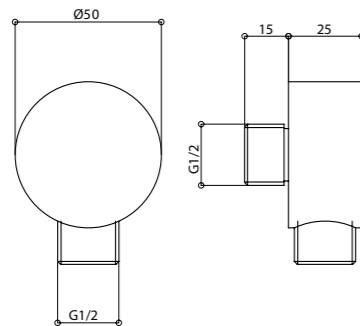




70899

Presa acqua minimalista tonda in acciaio spazzolato 316.

316 brushed stainless steel, round water supply.



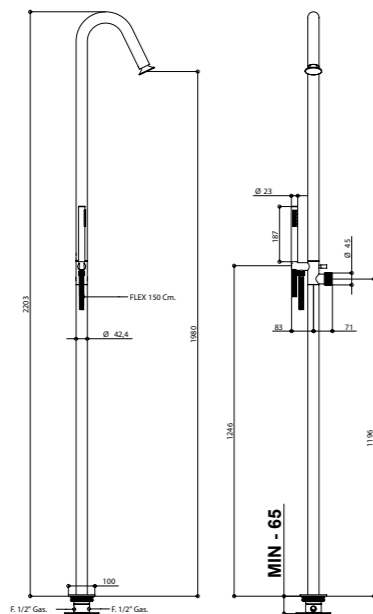
ARTICOLO COMPLETO / COMPLETE ITEM

70899AS00
AS

70131/OD (71131 * - 73131 * - 69131 *)

Colonna doccia a pavimento in acciaio spazzolato 316 con miscelatore a cartuccia progressiva, deviatore, set doccia e regolazione effetto bolla acqua.

316 brushed stainless steel floor mounted shower column with progressive cartridge, diverter, shower set and flow regulation "bubble" effect.



ARTICOLO COMPLETO / COMPLETE ITEM

70131AS0D
AS

PARTE INCASSO
BUILT-IN PART

PARTE ESTERNA DA ABBINARE
EXTERNAL MATCHING PART

09744AS00

FINITURE / FINISHES

70131AS0DEU -
71131AS0DEU -
73131AS0DEU *
AS/AS/AS

70131NE0DEU
NE/NE

*Disponibile con cartuccia tradizionale e maniglia acciaio e teak / Available with traditional cartridge and steel and teak handle

Non disponibile in altre finiture. / Not available in other finishes.

Nelle varianti colore verniciate alcuni particolari saranno in finitura galvanica per garantire gli standard qualitativi. / To assure our quality standard on colored product, some details remain in galvanic finishes.

RICAMBI / SPARE PARTS

	9822 *		9896 □
	9600ASPV		70850AS
	00137AS		

* Cartuccia progressiva / Progressive cartridge
□ Cartuccia tradizionale / Traditional cartridge

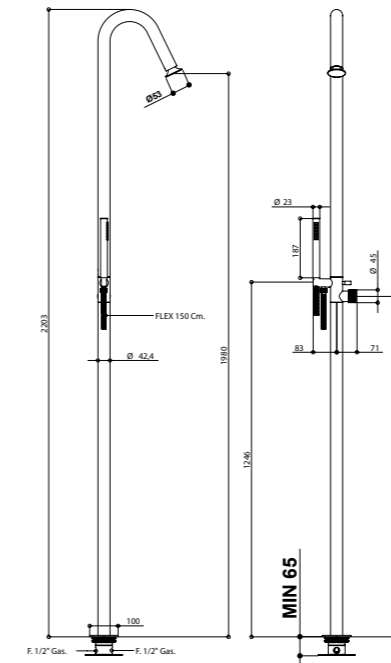
FINITURE E COLORI / FINISHES AND COLOURS



70131/RD (71131 * - 73131 * - 69131 *)

Colonna doccia a pavimento in acciaio spazzolato 316 con miscelatore progressivo, deviatore, doccia ed erogazione a pioggia.

316 brushed stainless steel free standing shower column with progressive cartridge, diverter, shower set and rain shower erogation.



ARTICOLO COMPLETO / COMPLETE ITEM

70131ASRD
AS

PARTE INCASSO
BUILT-IN PART

PARTE ESTERNA DA ABBINARE
EXTERNAL MATCHING PART

09744AS00

FINITURE / FINISHES

70131ASRDEU - 71131AS
RDEU - 73131ASRDEU
AS/AS/AS

69131ASRDEU *
AS

70131NERDEU - 73131NE
RDEU □
NE

*Disponibile con cartuccia tradizionale e maniglia acciaio e teak / Available with traditional cartridge and steel and teak handle

□ Nelle varianti colore verniciate alcuni particolari saranno in finitura galvanica per garantire gli standard qualitativi. / To assure our quality standard on colored product, some details remain in galvanic finishes.

Non disponibile in altre finiture. / Not available in other finishes.

RICAMBI / SPARE PARTS

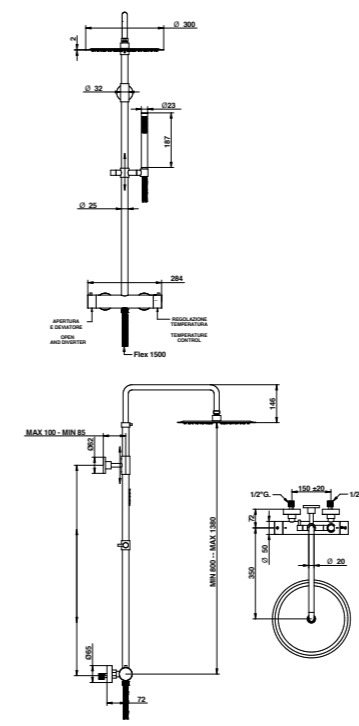
	9822 *		9896 □
	9600ASPV		70850AS
	00137AS		

* Cartuccia progressiva / Progressive cartridge
□ Cartuccia tradizionale / Traditional cartridge

73547AS0D - INOX 316

Termostatico/doccia/esterno, con tubo, deviatore, soffione, set doccia, in acciaio spazzolato 316.

316 Brushed stainless steel external thermostatic shower mixer with tube, diverter, shower head and handshower set.



ARTICOLO COMPLETO /// COMPLETE ITEM

73547AS0D
AS

Sistema anticalcare Fast/Clean. Pressione dinamica minima di utilizzo: 1 bar. Portata a pressione dinamica uscita doccia con limitatore: 1-5 bar / 9 l/min. Uscita doccia con limitatore: 1-5 bar / 5 l/min. Fast Clean showe. Minimum dynamic pressure of use: 1 bar. Flow rates at dynamic pressure: shower exit with limitation system: 1-5 bar - 9 l/min. Handshower exit with limitation system: 1-5 bar - 5 l/min.

Non disponibile in altre finiture. // Not available in other finishes.

RICAMBI // SPARE PARTS

	9844/73 *		9846/73 □
	9600ASPV		70850AS00
	IM883AS30RPR		

* Cartuccia miscelatrice // Mixer cartridge
□ Cartuccia di apertura-chiusura e deviazione // Open-close cartridge

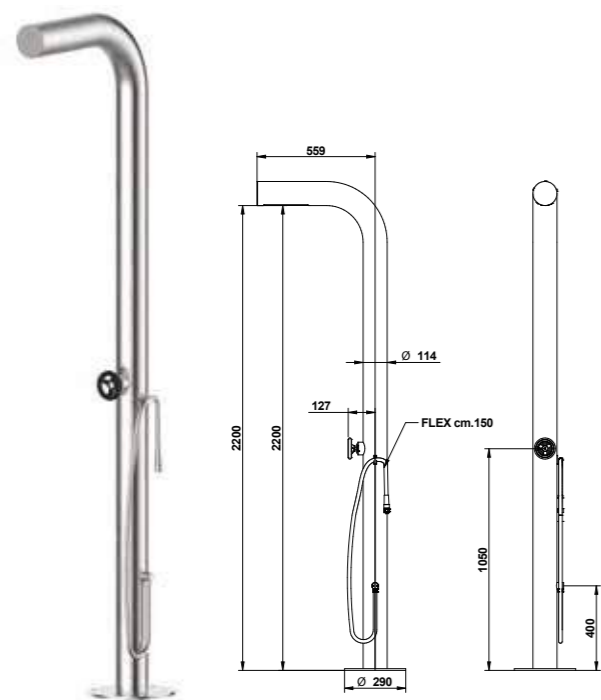
ACCESSORI E RICAMBI / ACCESSORIES AND SPARE PARTS



**32131**

Colonna doccia a pavimento in acciaio con scatola incasso, miscelatore, doccetta, lavapiedi monoacqua.

Steel free standing shower column with built-in box, mixer, feeth monowater cleaning handshower.

**ARTICOLO COMPLETO / COMPLETE ITEM**

32131ASNE
ASNE/NENE

PARTE INCASSO
BUILT-IN PART

PARTE ESTERNA DA ABBINARE
EXTERNAL MATCHING PART

FINITURE / FINISHES

32131SCAT

32131ASNEEU
ASNE/NENE

Non disponibile in altre finiture. / Not available in other finishes.

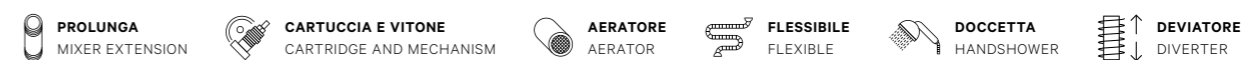
RICAMBI / SPARE PARTS

	9822		928AS00 *
--	-------------	--	------------------

* Completo di flessibile / With flexible



Art. 70131ASOD

FINITURE E COLORI / FINISHES AND COLOURS**ACCESSORI E RICAMBI / ACCESSORIES AND SPARE PARTS**



TIME2020 ACCESSORIES



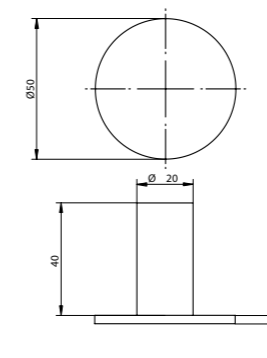
Art. 70002AS00

FINITURE E COLORI / FINISHES AND COLOURS



70001

Porta abito in acciaio spazzolato 316. 316 brushed stainless steel robe hook.



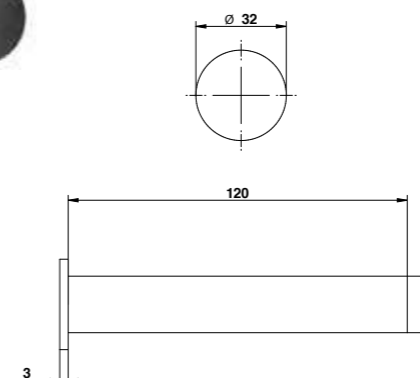
ARTICOLO COMPLETO / COMPLETE ITEM

70001AS00
AS

70001NE00
NE

70002

Porta rotolo in acciaio spazzolato 316. 316 brushed stainless steel toilet paper holder.



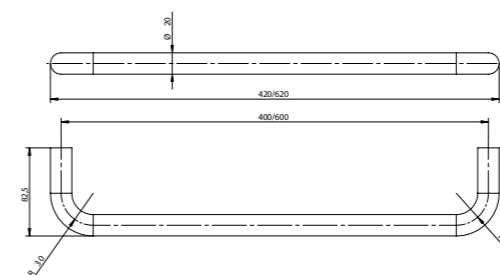
ARTICOLO COMPLETO / COMPLETE ITEM

70002AS00
AS

70002NE00
NE

70007/40-60

Porta asciugamano 400/600 mm in acciaio spazzolato 316. 316 brushed stainless steel 400/600 mms. towel rail.



ARTICOLO COMPLETO / COMPLETE ITEM

70007AS40
AS

70007AS60
AS

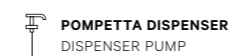
70007NE40
NE

70007NE60
NE

ACCESSORI E RICAMBI / ACCESSORIES AND SPARE PARTS



BICCHIERE
GLASS



POMPETTA DISPENSER
DISPENSER PUMP



PORTA SAPONE
SOAP HOLDER



VASO SCOPINETTO
BRUSHED POT

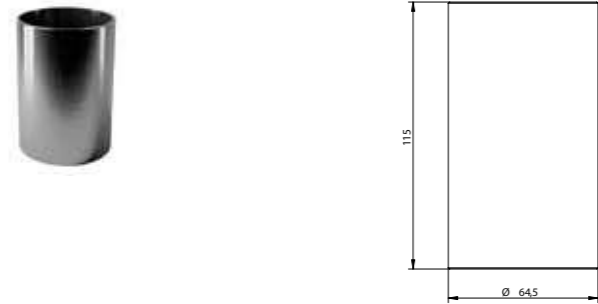


SCOPINETTO
PLASTIC BRUSHED

**70022**

Bicchieri appoggio in acciaio spazzolato 316.

316 brushed stainless steel toothbrushed holder to lean.

**ARTICOLO COMPLETO / COMPLETE ITEM**

70022AS00
AS

70022NE00
NE

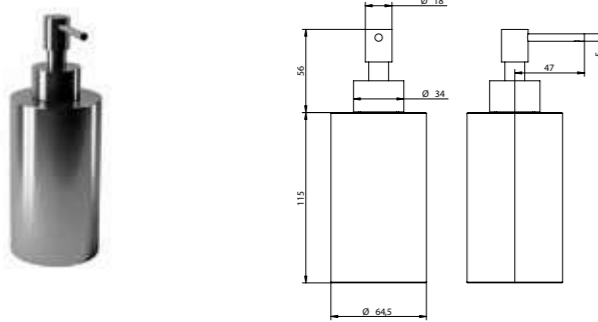
RICAMBI / SPARE PARTS

70701

70027

Dispenser appoggio in acciaio spazzolato 316.

316 brushed stainless steel soap dispenser to lean.

**ARTICOLO COMPLETO / COMPLETE ITEM**

70027AS00
AS

70027NE00
NE

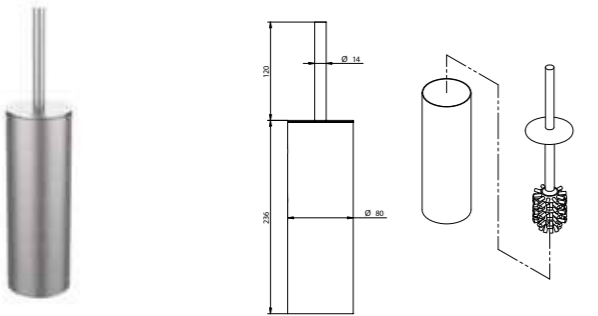
RICAMBI / SPARE PARTS

70698

70025

Porta scopino appoggio in acciaio spazzolato 316 con base ABS antigraffio.

316 brushed stainless steel toilet brush holder to lean with scratchproof ABS base.

**ARTICOLO COMPLETO / COMPLETE ITEM**

70025AS00
AS

70025NE00
NE

RICAMBI / SPARE PARTS

70720

70026

Porta scopino a muro in acciaio spazzolato 316 con base ABS antigraffio.

316 brushed stainless steel toilet brush holder to the wall with scratchproof ABS base.

**ARTICOLO COMPLETO / COMPLETE ITEM**

70026AS00
AS

70026NE00
NE

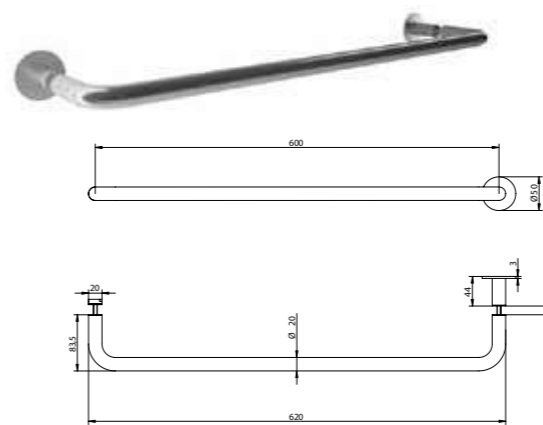
RICAMBI / SPARE PARTS

70720

FINITURE E COLORI / FINISHES AND COLOURS**70005**

Maniglione orizzontale o verticale per porta doccia 600 mm in acciaio spazzolato 316.

316 brushed stainless steel 600 mms. horizontal or vertical door shower handle.

**ARTICOLO COMPLETO / COMPLETE ITEM**

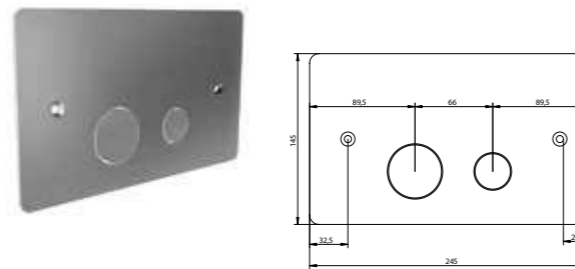
70005AS00
AS

70005NE00
NE

70033

Placca di comando cassetta wc in acciaio spazzolato 316, compatibile con cassetta da incasso Geberit: Sigma 8 - Sigma 12

316 brushed stainless steel toilet flush control plate, compatible with Geberit built-in box: Sigma 8 - Sigma 12

**ARTICOLO COMPLETO / COMPLETE ITEM**

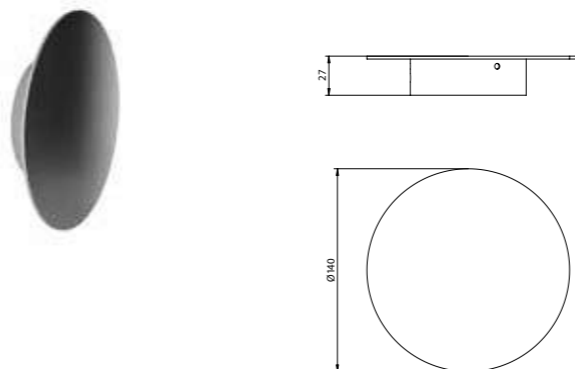
70033AS00
AS

Non disponibile in altre finiture. / Not available in other finishes.

70010

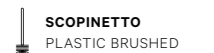
Lampada led a muro ø 140 mm in acciaio spazzolato 316.

316 brushed stainless steel wall led light lamp (ø 140 mms.).

**ARTICOLO COMPLETO / COMPLETE ITEM**

70010AS00
AS

70010NE00
NE

ACCESSORI E RICAMBI / ACCESSORIES AND SPARE PARTS



TIME2020 COMPLEMENTS



Art. 70533AS00

FINITURE E COLORI / FINISHES AND COLOURS



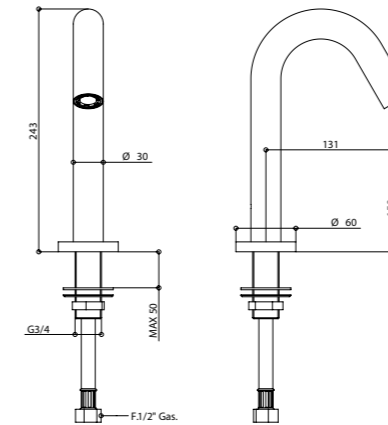
INOX 316 COLLECTION

TIME2020 contribuisce ai CREDITI LEED®. / TIME2020 contributes to meet LEED® CREDITS. (Leadership in Energy and Environmental Design of the U.S. Green Building Council, GREEN BUILDING PROGRAM) 153

70800 INOX

Bocca bordo lavabo in acciaio spazzolato 316.

316 brushed stainless steel basin swivel spout.



ARTICOLO COMPLETO / COMPLETE ITEM

70800AS00
AS70800NE00
NE

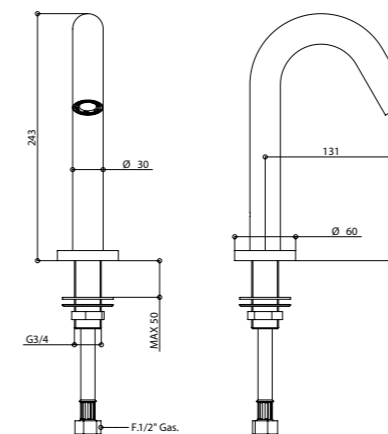
RICAMBI / SPARE PARTS

9391

70983 INOX

Bocca bordo vasca in acciaio spazzolato 316.

316 brushed stainless steel bathtub swivel spout.



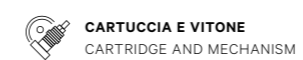
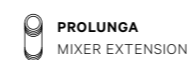
ARTICOLO COMPLETO / COMPLETE ITEM

70983AS00
AS70983NE00
NE

RICAMBI / SPARE PARTS

9391

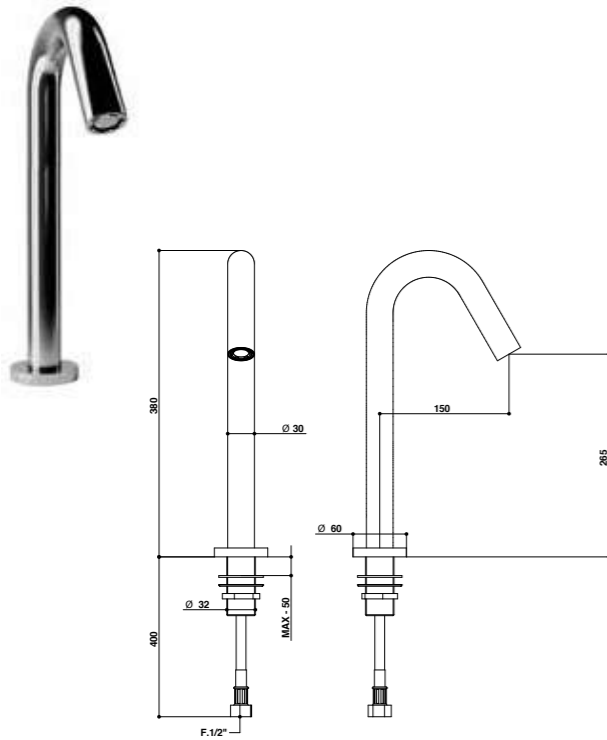
ACCESSORI E RICAMBI / ACCESSORIES AND SPARE PARTS



**70984 INOX**

Bocca bordo lavabo alta in acciaio spazzolato 316.

316 brushed stainless steel high basin swivel spout.

**ARTICOLO COMPLETO / COMPLETE ITEM**

70984AS00
AS

70984NE00
NE

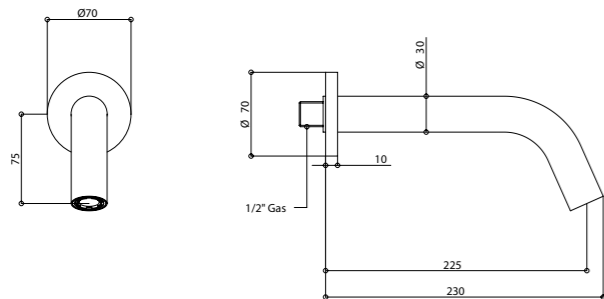
RICAMBI / SPARE PARTS

9391

70994 INOX

Bocca incasso 230 mm in acciaio spazzolato 316.

316 brushed stainless steel 230 mm. spout.

**ARTICOLO COMPLETO / COMPLETE ITEM**

70994AS00
AS

70994NE00
NE

RICAMBI / SPARE PARTS

9391

FINITURE E COLORI / FINISHES AND COLOURS

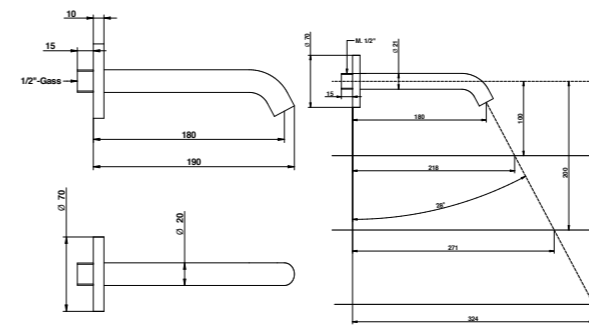
AS

NE

70989 INOX

Bocca incasso 180 mm, ø 21 mm in acciaio spazzolato 316.

316 brushed stainless steel 180 mm., ø 21 mms. spout.

**ARTICOLO COMPLETO / COMPLETE ITEM**

70989AS00
AS

70989NE00
NE

RICAMBI / SPARE PARTS

9392

70071

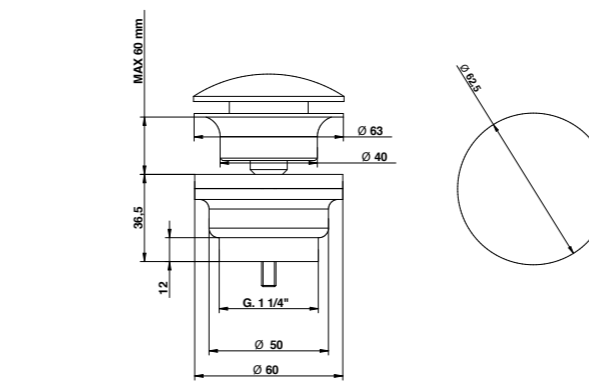
Scarico in acciaio spazzolato 316, clic clac 1.1/4\".

316 brushed stainless steel, clic clac 1.1/4\" waste.

**ARTICOLO COMPLETO / COMPLETE ITEM**

70071AS00
AS

Non disponibile in altre finiture. / Not available in other finishes.

**ACCESSORI E RICAMBI / ACCESSORIES AND SPARE PARTS**

PROLUNGA
MIXER EXTENSION



CARTUCCIA E VITONE
CARTRIDGE AND MECHANISM



AERATORE
AERATOR



FLESSIBILE
FLEXIBLE



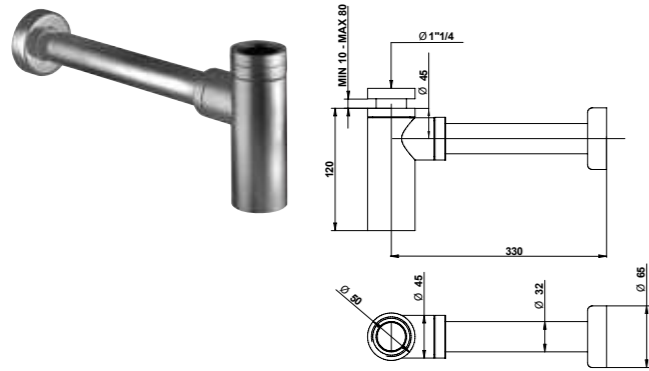
DOCCETTA
HANDSHOWER



DEVIATORE
DIVERTER

**70067 NEW**

Sifone 1.1/4" in acciaio spazzolato 316. 316 brushed stainless steel 1.1/4" siphon.

**ARTICOLO COMPLETO / COMPLETE ITEM**

70067AS00
AS

73062 NEW

Colonna scarico vasca con tappo clic-clac in acciaio spazzolato 316.

316 brushed steel automatic popup bathtub drain column with clic-clac waste.

**ARTICOLO COMPLETO / COMPLETE ITEM**

73062AS00
AS

Non disponibile in altre finiture. / Not available in other finishes.

73063 NEW

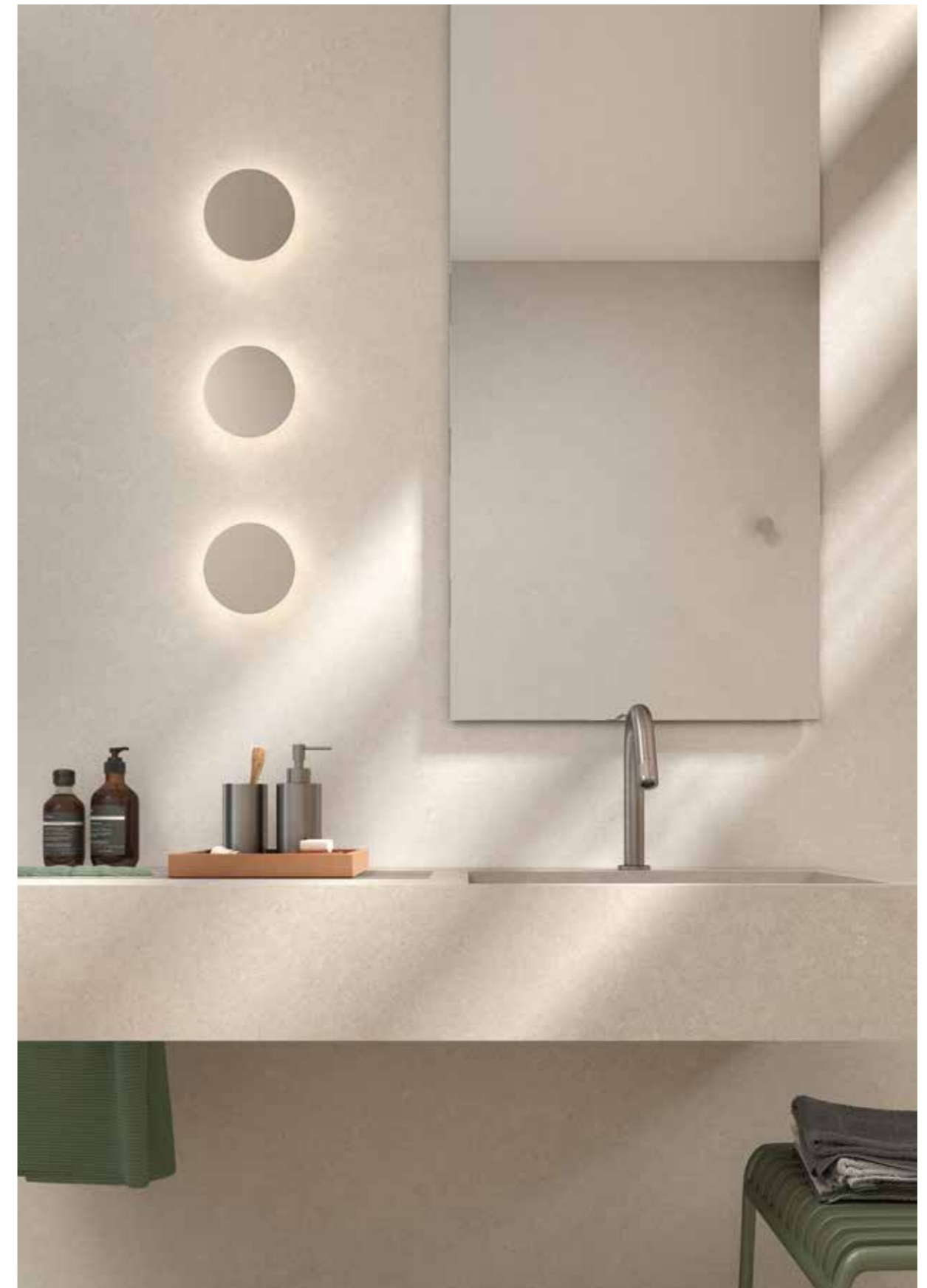
Colonna scarico vasca con erogazione dal troppopieno e tappo clic clac in acciaio spazzolato 316.

316 brushed steel automatic popup bathtub drain column with water inlet through overflow and clic clac waste.

**ARTICOLO COMPLETO / COMPLETE ITEM**

73063AS00
AS

Non disponibile in altre finiture. / Not available in other finishes.

FINITURE E COLORI / FINISHES AND COLOURS

Art. 70521AS00 - Art. 70001AS00 - Art. 70022AS00 - Art. 70027AS00 - Art. 70010AS00

ACCESSORI E RICAMBI / ACCESSORIES AND SPARE PARTS



ICON

COLLECTIONS

PAG. 160
ACQUAVIVA

PAG. 174
MINI ONE

PAG. 184
MOON

ACQUAVIVA

DESIGN CENTER DIRECTED BY **ANTONIO BONGIO**
WITH THE COLLABORATION OF **MARCO POLETTI, GIANCARLO VEGNI**
CONCEPT **ROBERTO NICCOLAI**

The greatest wealth is freedom.

1

A

Freedom

pese colei (con sospir mi rim
i (con sospir mi rimembra) a lei di f
e gonna leggiadra
o, ove amor co' begli occhi il cor mia
i occhi il... loto, udien
a il mio destino el ciel in cte s'adopra, ch'Amor
pra, ch'Amor quest
morte fia men oruda se spene porto a quel dubb
o, es la v'ella spene porto a quel dub
rep ne in piu tranquu...
candomis; it, o pietar
i la fera bella e mansueta, es la v'ella
mansueta, es la v'ella mi scorse no bonoleto giorn
equo, ove le belle memb

INGEGNO ITALIANO

Italian genius

ACQUAVIVA è icona e simbolo di un rubinetto che riporta nell'ambiente bagno l'emozione dell'acqua che scorre libera, senza costrizioni di tubi. Imitata in tutto il mondo, ancora oggi è una delle nostre collezioni best seller.

ACQUAVIVA is an iconic and symbolic water tap that brings the excitement of water flowing freely and unrestricted by pipelines back to the bathroom of your home. Imitated around the world, it is still one of our best-selling collections.



Limitless

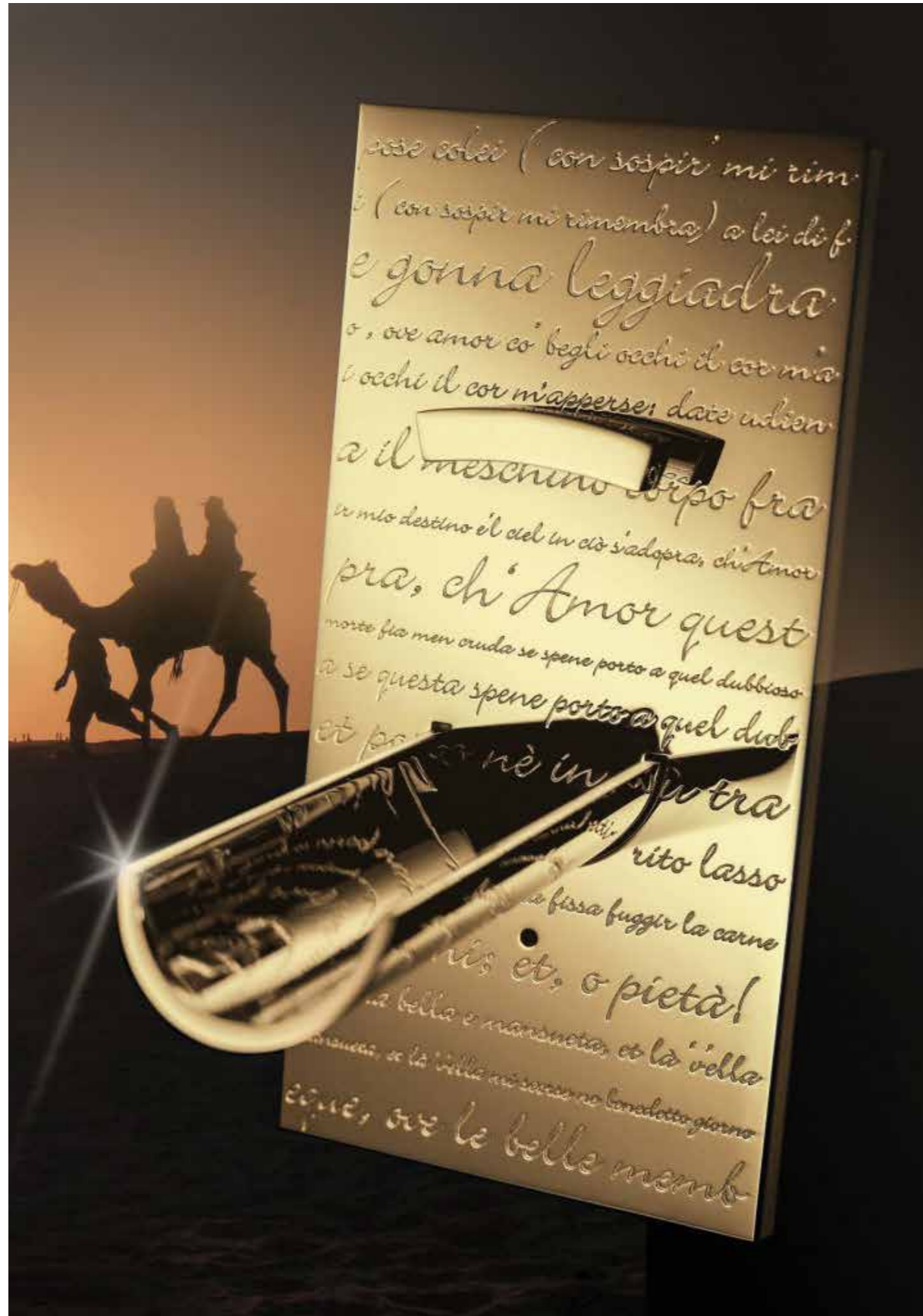
FOR MORE INFO



- 1. Art. 56539CR18PA
- 2. Art. 56539TT2220



Wateremotion



MISCELATORE LAVABO / BASIN MIXER
Art. 56539OR18PA

INFORMAZIONI TECNICHE

Technical details



CARTUCCIA: La serie Acquaviva è dotata di cartuccia progressiva \varnothing 35 mm. Il funzionamento della cartuccia miscelatrice avviene con movimento rotatorio in senso orario, permettendo un'erogazione dell'acqua da completamente fredda a miscelata per passare a tutta calda, questo sistema permette una notevole riduzione di consumo di acqua calda.

La temperatura d'impianto non deve superare i 70°C. La pressione di esercizio dell'impianto consigliata è di 3 bar.

EROGAZIONE: La serie Acquaviva ha un tipo di erogazione a cascata, non venendo limitata da aeratori è stata dotata di regolatori di portata per permettere un flusso costante ed adattabile alle esigenze dell'utilizzatore, permettendo anche in questo tipo di miscelatore un notevole risparmio di acqua.

SISTEMI DI DEVIAZIONE: Negli articoli doccia ed in alcuni vasca la maniglia deviatrice funge anche da supporto per la doccetta.

INSTALLAZIONE: Tutti gli articoli ad incasso completi sono corredati di scatola incasso in acciaio inox.

CARTRIDGE: Acquaviva serie has a progressive cartridge \varnothing 35 mms. This cartridge works through a turning clock wise movement, obtaining a water supply from completely mixed cold water to total hot water, highly reducing hot water consumption. The temperature of the plant must not exceed 70°C. The ideal working pressure of the plant should be 3 bar.

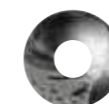
SUPPLY: Acquaviva serie has a kind of waterfall supply, not limited by aerators, it has been created with flow regulators allowing a regular flow which can be adapted to the various necessities of the customer and also in this case with high reduction in the water consumption.

DIVERTING SYSTEMS: In the shower items and in some bathtub items the diverter handle has also the function of shower holder

INSTALLATION: All the built-in complete items contain their stainless steel built-in box.

FINITURE E COLORI / FINISHES AND COLOURS

DETTAGLI / MORE INFO PAG. 38



CR
Cromo
Chrome

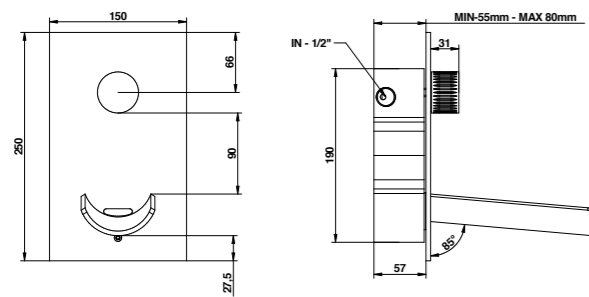


AS
Acciaio Spazzolato
Brushed Steel

76539/18 INOX 316 NEW

Miscelatore lavabo a parete con bocca 180 mm e piastra in acciaio spazzolato 316 e cartuccia progressiva.

316 brushed stainless steel wall basin mixer with 180 mms. spout and plate, progressive cartridge



ARTICOLO COMPLETO / COMPLETE ITEM

76539AS18
AS

Non disponibile in altre finiture. / Not available in other finishes.

ABBINABILE A / TO MATCH WITH:
Sifone / Siphon - **70067AS00**
Piletta clic-clac acciaio / Stainless steel clic-clac waste - **70071AS00**

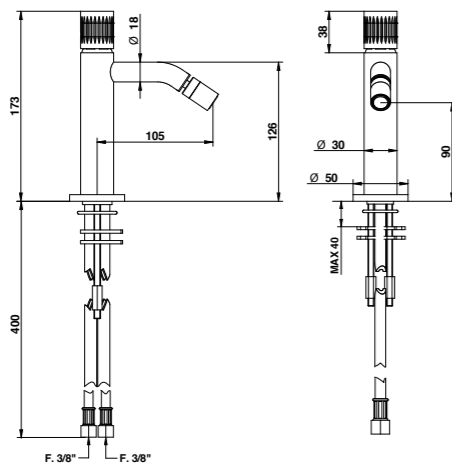
RICAMBI / SPARE PARTS

9822

71522

Miscelatore bidet in acciaio spazzolato 316 con cartuccia tradizionale.

316 brushed stainless steel bidet mixer with traditional cartridge.



ARTICOLO COMPLETO / COMPLETE ITEM

71522AS00
AS

ABBINABILE A / TO MATCH WITH:
Sifone / Siphon - **70067AS00**
Piletta clic-clac acciaio / Stainless steel clic-clac waste - **70071AS00**

RICAMBI / SPARE PARTS

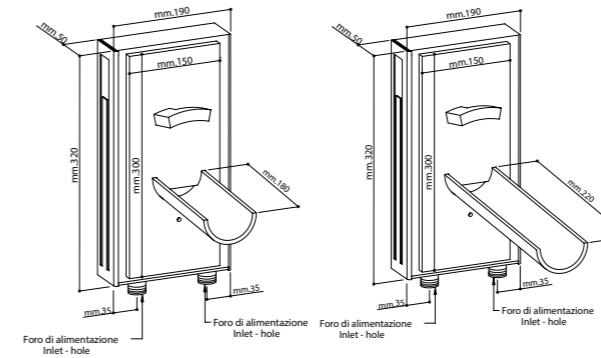
9895

9393

56539/18-22

Gruppo lavabo a parete con bocca 180-220 mm e miscelatore su piastra unica, con scatola incasso, collegamenti interni, dispositivo di regolazione portata, cartuccia progressiva.

Wall basin mixer with 180-220 mms. spout and mixer on single plate, with built-in box, internal connections, flow regulation system, progressive cartridge.



ARTICOLO COMPLETO / COMPLETE ITEM

56539CR18
CR

56539CR22
CR

PARTE INCASSO
BUILT-IN PART

PARTE ESTERNA DA ABBINARE
EXTERNAL MATCHING PART

FINITURE / FINISHES

56539CA

56539CR18EU
CR

56539CR22EU
CR

ABBINABILE A / TO MATCH WITH:
Sifone / Siphon - **00067**
Piletta clic-clac / Clic-clac waste - **00079**

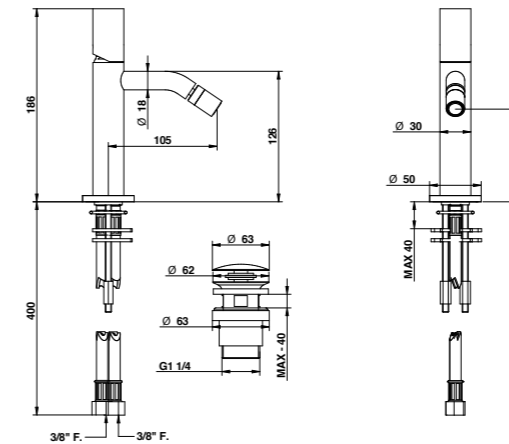
RICAMBI / SPARE PARTS

9822

40322/OR

Miscelatore bidet con cartuccia tradizionale e piletta clic-clac.

Bidet mixer mixer with clic-clac waste.



ARTICOLO COMPLETO / COMPLETE ITEM

40322CRCROR
CRCR

40322NENEOR
NENE/BIBI/NSNS/ONON

40322CNCNOR
CNCN/OROR

40322AMAMOR
AMAM/OPOP/NMNM/HMHM/OMOM/BMBM/TTTT/FAFA/CMCM/IMIM

40322XXOR*
XX

* XX: Per tutte le altre finiture fattibili riferirsi a questa fascia di prezzo. / Refer to this line of price for all other realizable finishes.

ABBINABILE A / TO MATCH WITH:
Sifone / Siphon - **00066CR00**

RICAMBI / SPARE PARTS

9870

9993CR

FINITURE E COLORI / FINISHES AND COLOURS



ACCESSORI E RICAMBI / ACCESSORIES AND SPARE PARTS



ACQUAVIVA CUSTOM

PAROLE / WORDS



Art. 56539CR18PA

FINITURE E COLORI / FINISHES AND COLOURS



ICON COLLECTIONS

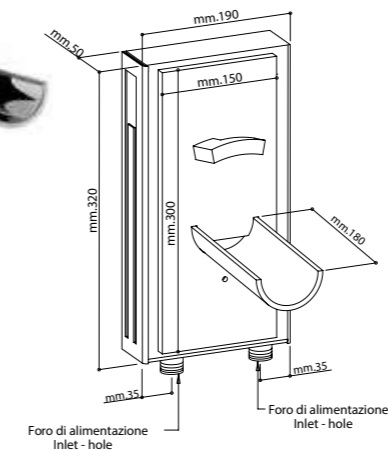


Piastra con incisione "Parole" da "Il Canzoniere" di Petrarca.
Engraving of "Parole" from the canzone of Petrarca.

56539/18PA

Gruppo lavabo a parete con bocca 180 mm e miscelatore su piastra unica, con scatola incasso, collegamenti interni, dispositivo di regolazione portata, cartuccia progressiva.

Wall basin mixer with 180 mms. spout and mixer on single plate, with built-in box, internal connections, flow regulation system, progressive cartridge.



ARTICOLO COMPLETO / COMPLETE ITEM

56539CR18PA
CR

PARTE INCASSO
BUILT-IN PART

PARTE ESTERNA DA ABBINARE
EXTERNAL MATCHING PART

FINITURE / FINISHES

56539CA

56539CR18PAEU
CR

Piastra con incisione "Parole" da "Il Canzoniere" di Petrarca. / Engraving of "Parole" from the canzone of Petrarca.

ABBINABILE A / TO MATCH WITH:

Sifone / Siphon - 00067

Piletta clic-clac / Clic-clac waste - 00079

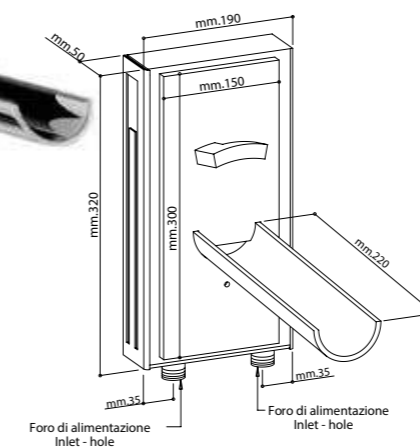
RICAMBI / SPARE PARTS

9822

56539/22PA

Gruppo lavabo a parete con bocca 220 mm e miscelatore su piastra unica, con scatola incasso, collegamenti interni, dispositivo di regolazione portata, cartuccia progressiva.

Wall basin mixer with 220 mms. spout and mixer on single plate, with built-in box, internal connections, flow regulation system, progressive cartridge.



ARTICOLO COMPLETO / COMPLETE ITEM

56539CR22PA
CR

PARTE INCASSO
BUILT-IN PART

PARTE ESTERNA DA ABBINARE
EXTERNAL MATCHING PART

FINITURE / FINISHES

56539CA

56539CR22PAEU
CR

Piastra con incisione "Parole" da "Il Canzoniere" di Petrarca. / Engraving of "Parole" from the canzone of Petrarca.

ABBINABILE A / TO MATCH WITH:

Sifone / Siphon - 00067

Piletta clic-clac / Clic-clac waste - 00079

RICAMBI / SPARE PARTS

9822

ACCESSORI E RICAMBI / ACCESSORIES AND SPARE PARTS



PROLUNGA
MIXER EXTENSION



CARTUCCIA E VITONE
CARTRIDGE AND MECHANISM



AERATORE
AERATOR



FLESSIBILE
FLEXIBLE



DOCCETTA
HANDSHOWER



DEVIATORE
DIVERTER

ACQUAVIVA CUSTOM

MADE WITH SWAROVSKI® ELEMENTS



Art. 55539CR18

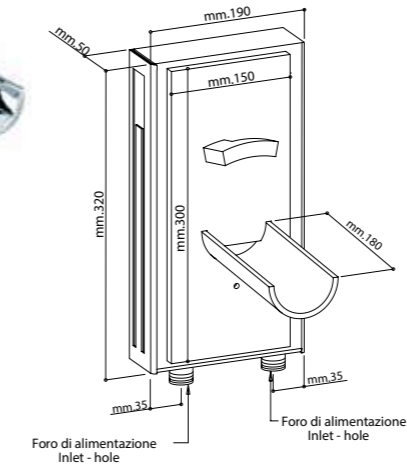
FINITURE E COLORI / FINISHES AND COLOURS



55539/18

Gruppo lavabo a parete con bocca 180 mm e miscelatore su piastra unica, con scatola incasso, collegamenti interni, dispositivo di regolazione portata, cartuccia progressiva.

Wall basin mixer with 180 mms. spout and mixer on single plate, with builtin box, internal connections, flow regulation system, progressive cartridge.



ARTICOLO COMPLETO / COMPLETE ITEM

55539CR18
CR

PARTE INCASSO
BUILT-IN PART

PARTE ESTERNA DA ABBINARE
EXTERNAL MATCHING PART

FINITURE / FINISHES

56539CA

55539CR18EU
CR

ABBINABILE A / TO MATCH WITH:
Sifone / Siphon - **00067**
Piletta clic-clac / Clic-clac waste - **00079**

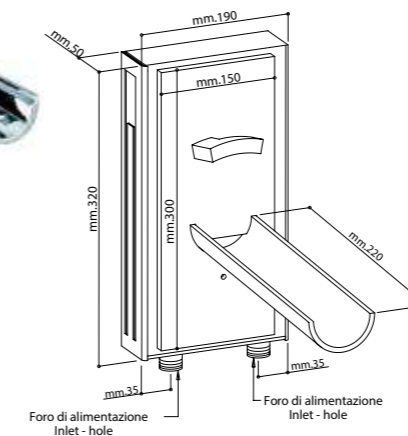
RICAMBI / SPARE PARTS

9822

55539/22

Gruppo lavabo a parete con bocca 220 mm e miscelatore su piastra unica, con scatola incasso, collegamenti interni, dispositivo di regolazione portata, cartuccia progressiva.

Wall basin mixer with 220 mms. spout and mixer on single plate, with builtin box, internal connections, flow regulation system, progressive cartridge.



ARTICOLO COMPLETO / COMPLETE ITEM

55539CR22
CR

PARTE INCASSO
BUILT-IN PART

PARTE ESTERNA DA ABBINARE
EXTERNAL MATCHING PART

FINITURE / FINISHES

56539CA

55539CR22EU
CR

ABBINABILE A / TO MATCH WITH:
Sifone / Siphon - **00067**
Piletta clic-clac / Clic-clac waste - **00079**

RICAMBI / SPARE PARTS

9822

ACCESSORI E RICAMBI / ACCESSORIES AND SPARE PARTS



PROLUNGA
MIXER EXTENSION



CARTUCCIA E VITONE
CARTRIDGE AND MECHANISM



AERATORE
AERATOR



FLESSIBILE
FLEXIBLE



DOCCETTA
HANDSHOWER



DEVIATORE
DIVERTER

ACQUAVIVA CUSTOM TATTOO



Art. 56539TT1820

FINITURE E COLORI / FINISHES AND COLOURS



INFORMAZIONI TECNICHE

Technical details

Innovativo sistema di stampa decori su acciaio ed ottone:

1. Non copre le caratteristiche del materiale, bensì le esalta
2. Qualità eccezionale
3. Nessuna alterazione nel tempo
4. Resistente agli agenti atmosferici
5. Micro pigmentazioni atossiche.

Su richiesta e con file in alta risoluzione si effettuano stampe personalizzate.

Per tutte le grafiche a catalogo o su richiesta, si prega di richiedere tempi di consegna.

Innovative pattern printing on steel and on brass:

1. It doesn't cover up the characteristics of the materials, it rather heightens them
2. Outstanding quality
3. No changes over time
4. Weathering resistant
5. Non-toxic pigmentation.

With HR resolution file, we realized special printing on request.

For each graphic in the catalog or upon request, please contact the office for delivery date.

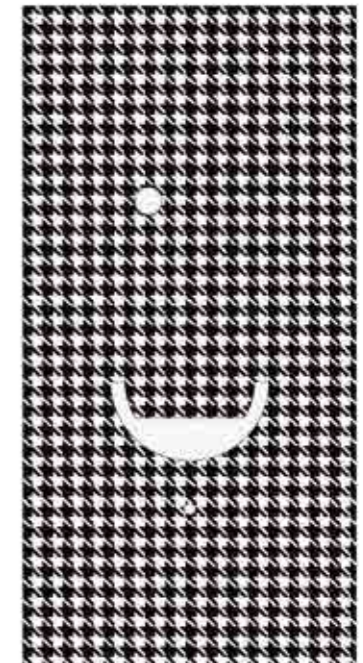
COLORI GRAFICHE DISPONIBILI / AVAILABLE GRAPHICS COLORS



ACQUAVIVA
TT10 Butterfly Blue



ACQUAVIVA
TT20 Irony



ACQUAVIVA
TT30 Pied de Poule

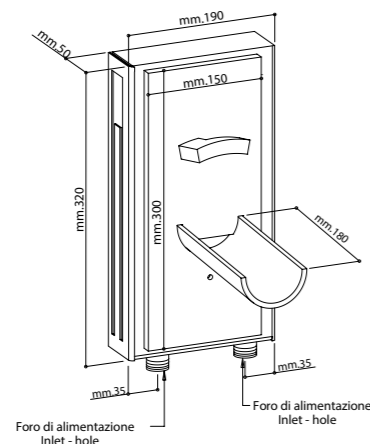
TATTOO



56539TT/18

Gruppo lavabo a parete con bocca 180 mm e miscelatore su piastra unica, con scatola incasso, collegamenti interni, dispositivo di regolazione portata, cartuccia progressiva. Stampa su cromo.

Wall basin mixer with 180 mms. spout and mixer on single plate, with built-in box, internal connections, flow regulation system, progressive cartridge. Special printing on chrome.



ARTICOLO COMPLETO / COMPLETE ITEM

56539CRTT1810
CR

56539CRTT1820
CR

56539CRTT1830
CR

PARTE INCASSO
BUILT-IN PART

PARTE ESTERNA DA ABBINARE
EXTERNAL MATCHING PART

FINITURE / FINISHES

56539CA

56539CRTT1810EU
BUTTERFLY BLUE
CRTT10

56539CRTT1820EU
IRONY
CRTT20

56539CRTT1830EU
PIED DE POULE
CRTT30

RICAMBI / SPARE PARTS

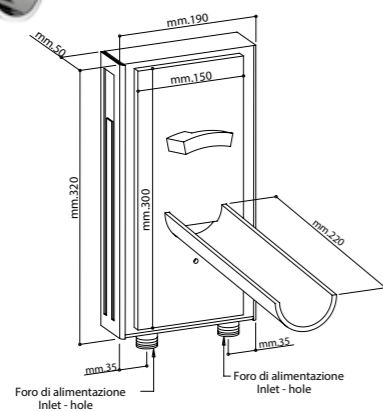


9822

56539TT/22

Gruppo lavabo a parete con bocca 220 mm e miscelatore su piastra unica, con scatola incasso, collegamenti interni, dispositivo di regolazione portata, cartuccia progressiva. Stampa su cromo.

Wall basin mixer with 220 mms. spout and mixer on single plate, with built-in box, internal connections, flow regulation system, progressive cartridge. Special printing on chrome.



ARTICOLO COMPLETO / COMPLETE ITEM

56539CRTT2210
CR

56539CRTT2220
CR

56539CRTT2230
CR

PARTE INCASSO
BUILT-IN PART

PARTE ESTERNA DA ABBINARE
EXTERNAL MATCHING PART

FINITURE / FINISHES

56539CA

56539CRTT2210EU
BUTTERFLY BLUE
CRTT10

56539CRTT2220EU
IRONY
CRTT20

56539CRTT2230EU
PIED DE POULE
CRTT30

RICAMBI / SPARE PARTS



9822

FINITURE E COLORI / FINISHES AND COLOURS



CR AS



Art. 56539TT1830

ACCESSORI E RICAMBI / ACCESSORIES AND SPARE PARTS



PROLUNGA
MIXER EXTENSION



CARTUCCIA E VITONE
CARTRIDGE AND MECHANISM



AERATORE
AERATOR



FLESSIBILE
FLEXIBLE



DOCCETTA
HANDSHOWER



DEVIATORE
DIVERTER

Mini One

DESIGN CENTER DIRECTED BY **ANTONIO BONGIO**
DESIGN BY **MARCO POLETTI**

life
in
colors



Intelligent design

1

SPAZIO ALLA CREATIVITÀ

Introducing creativity

La forma rigorosa e minimale, dove i volumi sono definiti dalla semplice intersezione di due linee, le dimensioni ridotte e le diverse varianti cromatiche, rendono MINI ONE la scelta ideale per personalizzare in maniera creativa anche i progetti d'arredo più convenzionali.

Its minimal and linear shape, where the spaces are defined by the simple intersection of two lines, along with its small size and myriad of colour variations, make MINI ONE the ideal choice to add a creative and personal touch to even the most conventional of interior design projects.

pop
style



3

less
serious



2



- 1. Art. 41532CR15
- 2. Art. 41532CR20
- 3. Art. 41524CR00



LAVABO / WASHBASIN
Art. 41521

INFORMAZIONI TECNICHE

Technical details



CARTUCCIA: La serie Mini One è dotata di cartuccia \varnothing 25 mm, e 35 mm.

La temperatura d'impianto non deve superare i 70°C. La pressione di esercizio dell'impianto consigliata è di 3 bar.

EROGAZIONE: La serie Mini One ha un tipo di erogazione morbida. **I lavabi e i bidet sono forniti con limitatore di portata da 6l/m, permettendo un notevole risparmio d'acqua.**

INSTALLAZIONE: Per gli articoli lavabo e bidet da installarsi su piano, devono essere realizzati fori di \varnothing 35 mm massimo.

CARTRIDGE: Mini One series has a \varnothing 25 mms and 35 mms.

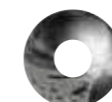
The temperature of the plant should not exceed 70°. The ideal working pressure of the plant is 3 bar.

SUPPLY: Mini One series has a soft supply. **Basin and bidet mixers have a standard limitation of flow to 6l/m which reduces the water waste.**

INSTALLATION: For the basin and bidet mixers - single or three holes - to be place on top deck, they require \varnothing 35 mms maximum holes.

FINITURE E COLORI / FINISHES AND COLOURS

DETTAGLI / MORE INFO PAG. 38



CR
Cromo
Chrome



BI
Bianco Opaco
Matt White



NE
Nero Opaco
Matt Black
(RAL 9005)



LI
Lime



RS
Rosso
Red
(RAL 3000)



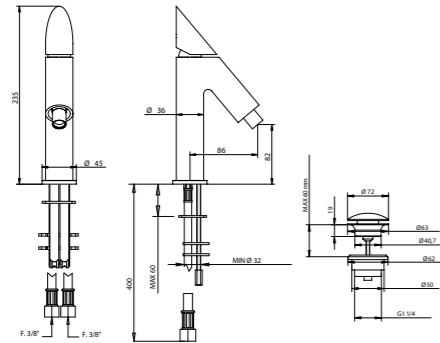
SB
Fragola
Strawberry
(RAL 4010)



SS
Supersky
(RAL 5015)

41521

Miscelatore lavabo/bideto con piletta clic-clac. Basin/bidet mixer with clic-clac waste.



ARTICOLO COMPLETO / COMPLETE ITEM

41521CR00
CR

41521BI00
BI/NE/LI/RS/SB/SS

ABBINABILE A / TO MATCH WITH:
Sifone / Siphon - 00067

PROLUNGA / MIXER EXTENSION

935CR15

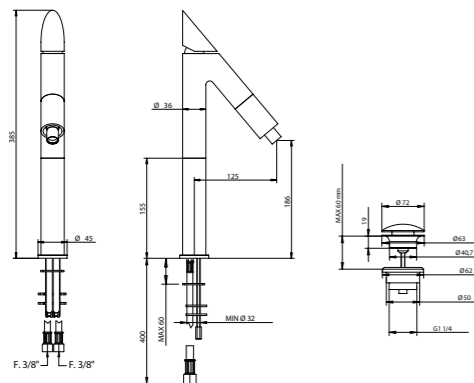
RICAMBI / SPARE PARTS

9818

9977CR

41532/15

Miscelatore lavabo con prolunga da 150 mm e piletta clic-clac. Basin mixer with 150 mms. extension and clic-clac waste.



ARTICOLO COMPLETO / COMPLETE ITEM

41532CR15
CR

41532BI15
BI/NE/LI/RS/SB/SS

ABBINABILE A / TO MATCH WITH:
Sifone / Siphon - 00067

PROLUNGA / MIXER EXTENSION

935CR15

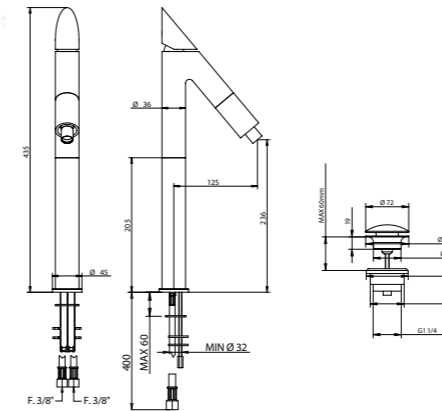
RICAMBI / SPARE PARTS

9818

9977CR

41532/20

Miscelatore lavabo con prolunga da 200 mm e piletta clic-clac. Basin mixer with 200 mms. extension and clic-clac waste.



ARTICOLO COMPLETO / COMPLETE ITEM

41532CR20
CR

41532BI20
BI/NE/LI/RS/SB/SS

PROLUNGA / MIXER EXTENSION

935CR20

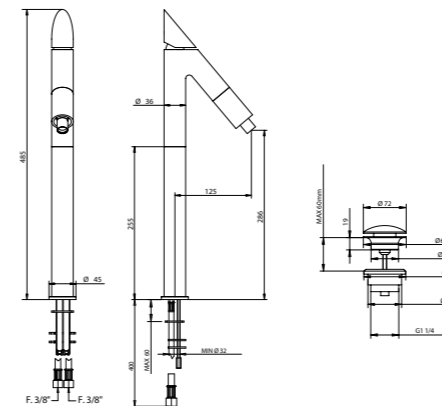
RICAMBI / SPARE PARTS

9818

9977CR

41532/25

Miscelatore lavabo con prolunga da 250 mm e piletta clic-clac. Basin mixer with 250 mms. extension and clic-clac waste.



ARTICOLO COMPLETO / COMPLETE ITEM

41532CR25
CR

41532BI25
BI/NE/LI/RS/SB/SS

PROLUNGA / MIXER EXTENSION

935CR25

RICAMBI / SPARE PARTS

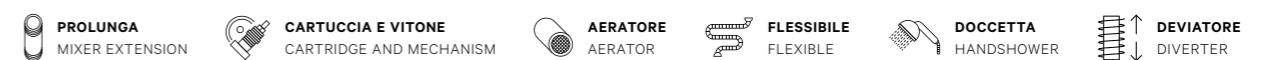
9818

9977CR

FINITURE E COLORI / FINISHES AND COLOURS

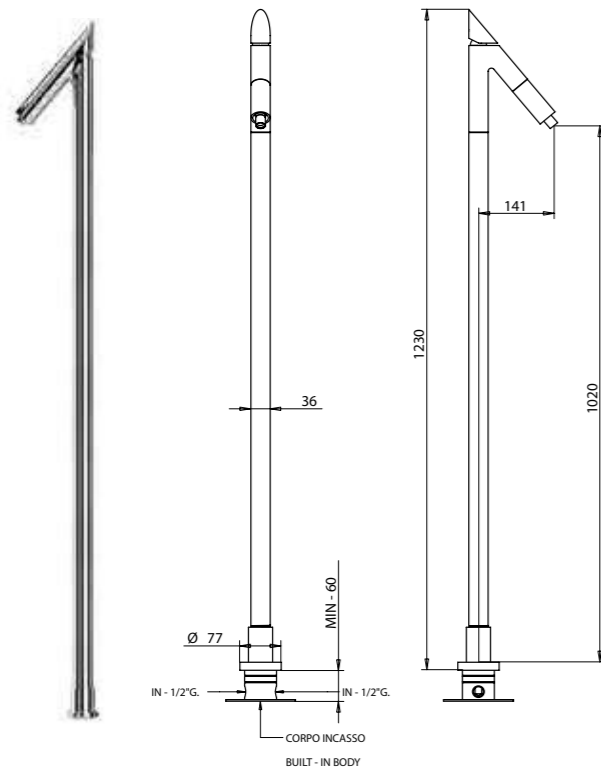


ACCESSORI E RICAMBI / ACCESSORIES AND SPARE PARTS



41533

Miscelatore lavabo da pavimento. Floor mounted basin mixer.



ARTICOLO COMPLETO / COMPLETE ITEM

41533CR00
CR

PARTE INCASSO BUILT-IN PART PARTE ESTERNA DA ABBINARE EXTERNAL MATCHING PART

FINITURE / FINISHES

09743

41533CREU
CR

41533BIEU
BI/NE/LI/RS/
SB/SS

RICAMBI / SPARE PARTS



9818



9977CR

41524

Miscelatore incasso. Built-in mixer.



ARTICOLO COMPLETO / COMPLETE ITEM

41524CR00
CR

PARTE INCASSO BUILT-IN PART PARTE ESTERNA DA ABBINARE EXTERNAL MATCHING PART

FINITURE / FINISHES

09761

41524CREU
CR

41524BIEU
BI/NE/LI/RS/
SB/SS

PROLUNGA / MIXER EXTENSION



00100CRPRPR

OPTIONAL: Scatola incasso per cartongesso / Built-in box for drywall and cavity wall **09702PBOX**

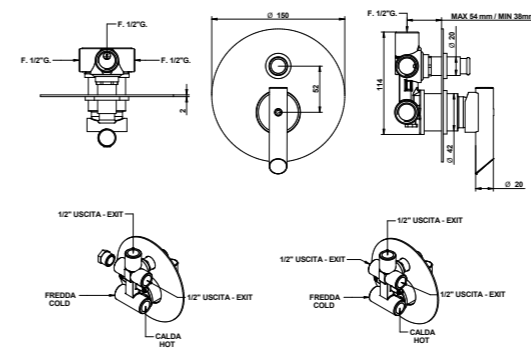
RICAMBI / SPARE PARTS



9813

41529

Miscelatore incasso con deviatore automatico a due uscite. Built-in mixer with 2 way automatic diverter.



ARTICOLO COMPLETO / COMPLETE ITEM

41529CR00
CR

41529BI00
BI/NE/LI/RS/SB/SS

Il corpo incasso non può essere anticipato. / Built-in body cannot be delivered separately in advance.

PROLUNGA / MIXER EXTENSION



00102CRPRPR

OPTIONAL: Scatola incasso per cartongesso / Built-in box for drywall and cavity wall **09702PBOX**

RICAMBI / SPARE PARTS



9813



00114CRPR

41519

Miscelatore incasso con deviatore meccanico a due uscite. Built-in mixer with 2 way mechanical diverter.



ARTICOLO COMPLETO / COMPLETE ITEM

41519CR00
CR

PARTE INCASSO BUILT-IN PART PARTE ESTERNA DA ABBINARE EXTERNAL MATCHING PART

FINITURE / FINISHES

09763

41519CREU
CR

41519BIEU
BI/NE/LI/RS/
SB/SS

PROLUNGA / MIXER EXTENSION



00102CRPRP3

OPTIONAL: Scatola incasso per cartongesso / Built-in box for drywall and cavity wall **09702PBOX**

RICAMBI / SPARE PARTS



9813



9861

FINITURE E COLORI / FINISHES AND COLOURS



ACCESSORI E RICAMBI / ACCESSORIES AND SPARE PARTS



PROLUNGA
MIXER EXTENSION



CARTUCCIA E VITONE
CARTRIDGE AND MECHANISM



AERATORE
AERATOR



FLESSIBILE
FLEXIBLE



DOCCETTA
HANDSHOWER

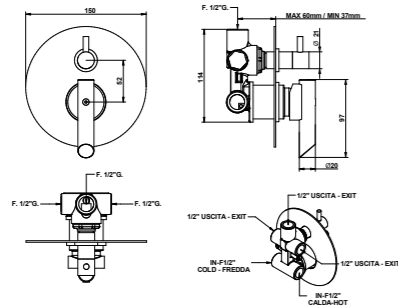


DEVIATORE
DIVERTER

41519/03

Miscelatore incasso con deviatore meccanico a 3 uscite.

Built-in mixer with 3 way mechanical diverter.



ARTICOLO COMPLETO / COMPLETE ITEM

41519CR03
CR

PARTE INCASSO
BUILT-IN PART

PARTE ESTERNA DA ABBINARE
EXTERNAL MATCHING PART

09763/3

FINITURE / FINISHES

41519CR03EU
CR

41519BI03EU
BI/NE/LI/RS/
SB/SS

PROLUNGA / MIXER EXTENSION

00102CRPR3

OPTIONAL: Scatola incasso per cartongesso / Built-in box for drywall and cavity wall **09702PBOX**

RICAMBI / SPARE PARTS

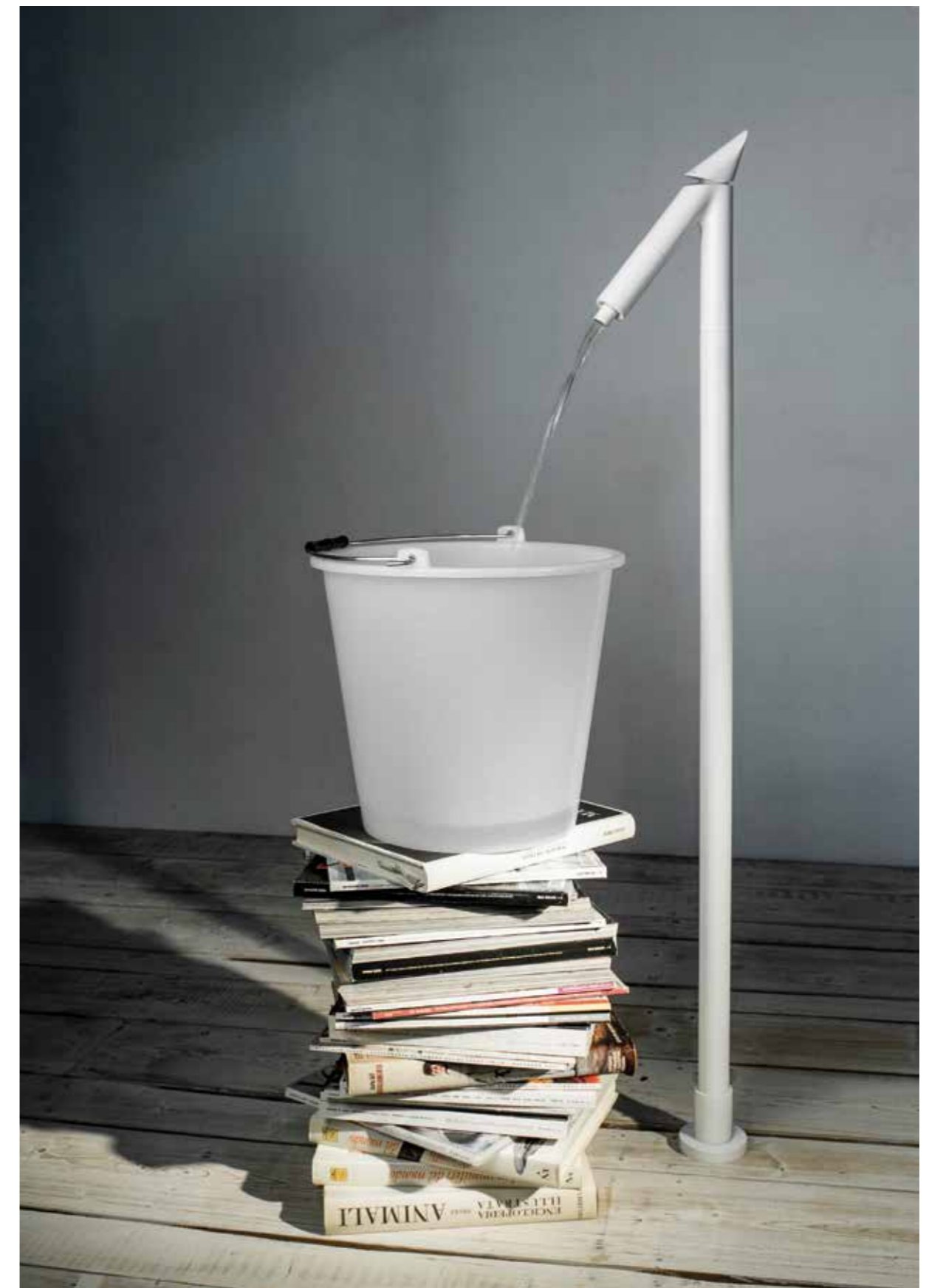
9813

9860



Art. 41521CR00 - Art. 41532CR15 - Art. 41532CR20 - Art. 41532CR25

FINITURE E COLORI / FINISHES AND COLOURS



Art. 41533BIEU

ACCESSORI E RICAMBI / ACCESSORIES AND SPARE PARTS



MOON

DESIGN BY
MARCO POLETTI



#makeawish

cosmic
harmony



ADI DESIGN INDEX
2002 Award

1

#designinspiration



GENIALE IDEA ESTETICA

A brilliant aesthetic concept

Premiato con il prestigioso riconoscimento ADI DESIGN per il suo disegno distintivo e la capacità di coniugare armonicamente linee geometriche e forme curve, MOON arreda con stile e praticità ambienti dal carattere innovativo.

Awarded the prestigious ADI DESIGN award for its special design and the ability to harmonically blend geometric lines and curved shapes, MOON will decorate innovative environments with style and functionality.

1. Art. 39521CR00

INFORMAZIONI TECNICHE

Technical details



CARTUCCIA: La serie Moon è dotata di cartuccia \varnothing 35 mm con distributore.

La temperatura d'impianto non deve superare i 70°C. La pressione di esercizio dell'impianto consigliata è di 3 bar.

EROGAZIONE: La serie Moon ha un tipo di erogazione morbida. **I lavabi e i bidet sono forniti con limitatore di portata da 6l/m.**

INSTALLAZIONE: Per i miscelatori lavabo e bidet da installarsi su piano, devono essere realizzati fori di \varnothing 35 mm. massimo

CARTRIDGE: Moon series has a \varnothing 35 mms. cartridge with distributor.

The temperature of the plant should not exceed 70°. The ideal working pressure of the plant is 3 bar.

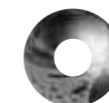
SUPPLY: Moon series has a soft supply. **Basin and bidet mixers have a standard limitation of flow to 6l/m.**

INSTALLATION: For the basin and bidet mixers - single or three holes - to be place on top deck, they require \varnothing 35 mms maximum holes.



FINITURE E COLORI / FINISHES AND COLOURS

DETTAGLI / MORE INFO **PAG. 38**

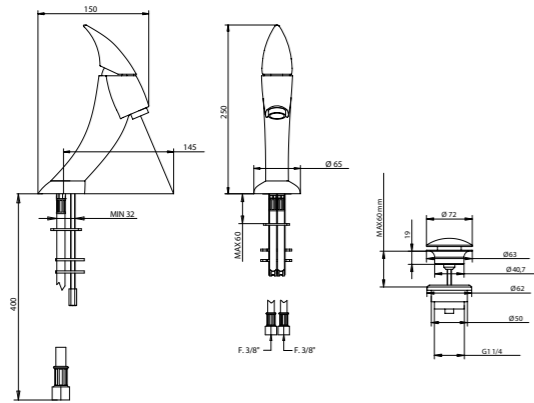


CR
Cromo
Chrome

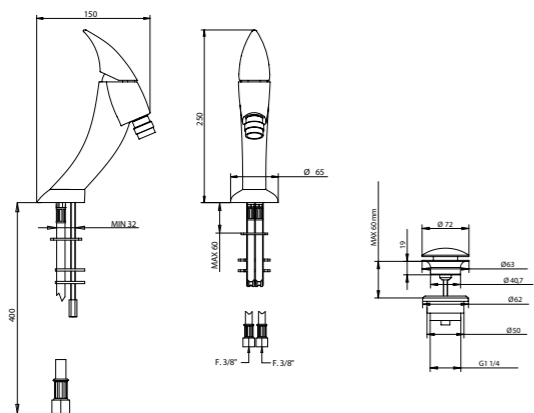
39521

Miscelatore lavabo con piletta clic-clac.

Basin mixer with clic-clac waste.

**ARTICOLO COMPLETO / COMPLETE ITEM****39521CR00**
CR**RICAMBI / SPARE PARTS****9812****9998CR****39522**

Miscelatore bidet con piletta clic-clac. Bidet mixer with clic-clac waste.

**ARTICOLO COMPLETO / COMPLETE ITEM****39522CR00**
CR**RICAMBI / SPARE PARTS****9812****9978CR**ADI DESIGN INDEX
2002 Award

Art. 39521CR00

FINITURE E COLORI / FINISHES AND COLOURS

CR

ACCESSORI E RICAMBI / ACCESSORIES AND SPARE PARTS**PROLUNGA**
MIXER EXTENSION**CARTUCCIA E VITONE**
CARTRIDGE AND MECHANISM**AERATORE**
AERATOR**FLESSIBILE**
FLEXIBLE**DOCCETTA**
HANDSHOWER**DEVIATORE**
DIVERTER



STYLE

COLLECTIONS

PAG. 192

LINEA BY AC *New*

PAG. 240

BOWLING

PAG. 274

ACQUACARICA

PAG. 310

AQUA - AQUA MARBLE

PAG. 344

DOMINO Q

PAG. 370

STELTH

PAG. 390

T CROSS / T LEVER

PAG. 420

ALCOR

LINEA BY AC

DESIGN BY
ANDREA CASTRIGNANO

PRESENTAZIONE UFFICIALE - MILANO, SALONE DEL MOBILE 2022
OFFICIAL PRESENTATION - MILAN, 2022 SALONE DEL MOBILE



#ARTCOLLECTION

NEW ART ATTITUDE

ABITARE CREATIVO

Creative living

Il passato non è passato. Ci parla ancora, come fosse ieri. Linea by AC nasce dal restyling di un progetto realizzato da Antonio Bongio negli anni '80, oggi rivisitato in collaborazione con Andrea Castrignano, uno dei più influenti interior designer italiani. Un prodotto con elevati standard tecnici e funzionali, con forme slanciate e colorazioni vivaci per contrassegnare ogni spazio con un dettaglio unico.

The past is not gone. It talks to us, still, as if it were yesterday. Linea by AC originated from the restyling of a project created by Antonio Bongio in the 1980s, now reinterpreted in collaboration with Andrea Castrignano, one of the most influential Italian interior designers. A product with high technical and functional standards, with slender shapes and bright colors, designed to leave a unique mark in any environment.

#HISTORICARCHIVE



2020



1

1. Cod. 82521NEOM



LINEA^{BY}AC

CREATIVE SYMPHONY

#DYNAMICLUXURY



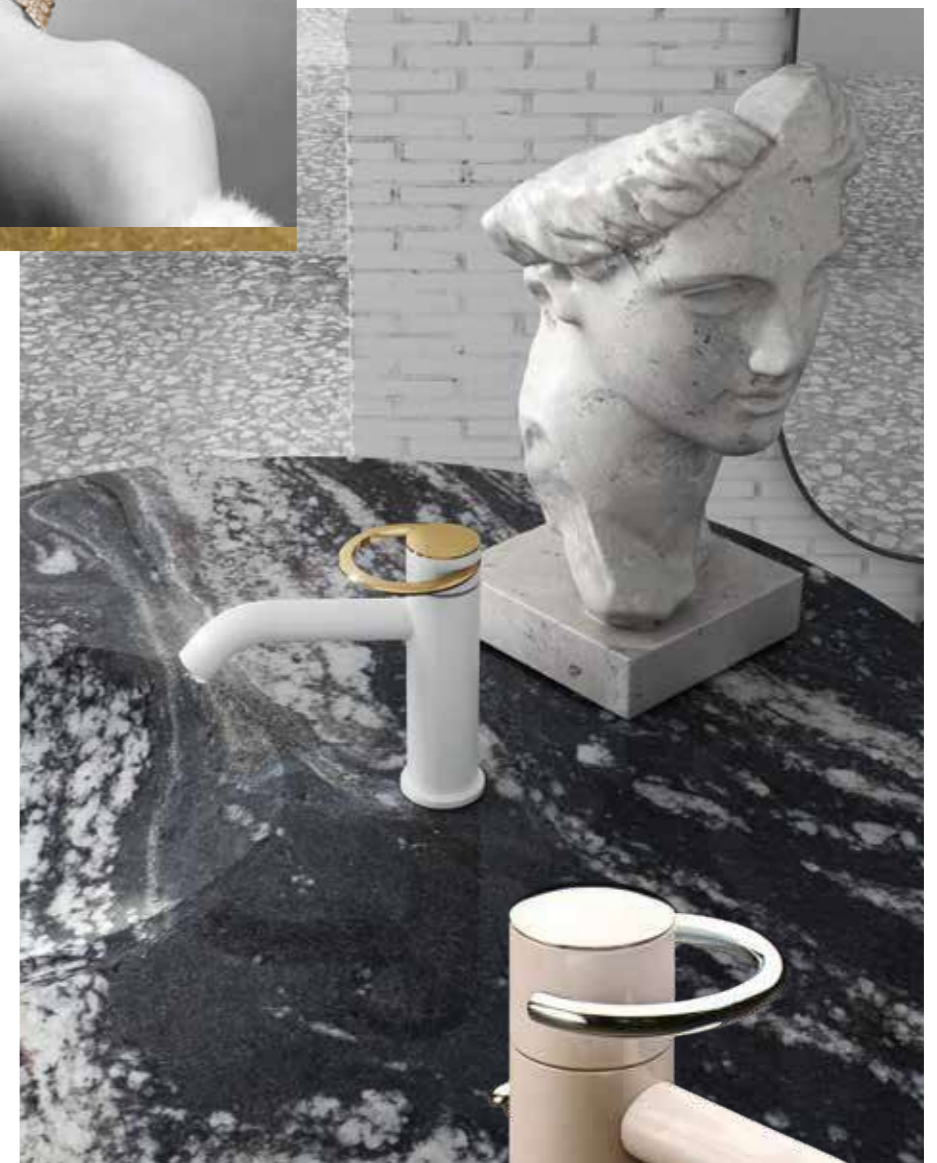
#CIRCLECHARM



LAVABO / WASHBASIN
Art. 82521OMNE



A LOOK
BACKWARD
TO MOVE
FORWARD.



LAVABO / WASHBASIN
Art. 82521BIOR

ANNO 1982 / YEAR 1982
Art. 6521



LAVABO / WASHBASIN
Art. 82570NECR

DOCCIA / SHOWER
Art. 82500NECR
Art. 40554NENEOR
Art. 788NEOW
Art. 788NEOP
Art. 70832NE00

ACCESSORI / ACCESSORIES
Art. 82001NECR

bongio

LINEA^{AC}

Linea by AC interpreta il design iconico di Linea-1980 attraverso un'estetica contemporanea, adatta all'ambiente bagno. Il miscelatore cilindrico riprende la forma ad arco del lavabo T-Mix, e trova una perfetta armonia con le curve della bocca di fuoriuscita dell'acqua. La maniglia è composta da 3 elementi: la leva monocomando dall'aspetto di una corona semicircolare, il corpo con il quale si intreccia e il tappo di copertura leggermente convesso e intercambiabile, disponibile in diverse finiture.

Linea by AC reimagines the iconic design of Linea-1980 through the eyes of contemporary aesthetics, making it the perfect fit for any bathroom. The cylindrical mixer presents the same arched shape of the T-Mix basin, in perfect harmony with the curves of the water spout. The handle is made of three elements: a single lever reminiscent of a semicircular crown, the body with which it intertwines, and a slightly convex interchangeable cap, available in different finishes.

LAVABO / WASHBASIN
Art. 82501NENE0H

ACCESSORI / ACCESSORIES
Art. 82001NENE





La creatività di Bongio ha saputo dare una nuova vitalità a un classico dell'interior design che ha segnato la storia dell'azienda. La forza dei colori e delle finiture e le vaste possibilità di personalizzazione rendono Linea by AC il protagonista di abbinamenti creativi e contrasti accattivanti, che elevano il potenziale estetico di ambienti affascinanti. Un look senza tempo per abitare creativamente in spazi unici e di tendenza.

Bongio's creativity breathed new life into a true interior design classic that forever impacted the history of the company. The strength of colors and finishes as well as the vast amount of customizable options make Linea by AC the undisputed protagonist when it comes to creative combinations and captivating contrasts, elevating the aesthetic potential of timeless settings. An unparalleled look for creative living in unique and trendy spaces.



**DETAILS
EXPRESS YOUR
PERSONALITY**

LAVABO / WASHBASIN
Art. 82541PLWM

VASCA / BATHTUB
Art. 82524PLWM
Art. 01017PL19
Art. 0844PL00

#INNOVATIVEMEMORIES

LINEA^{AC}**DOCCIA / SHOWER**

Art. 788BICP
 Art. 788BIBR
 Art. 830BIB1
 Art. 82524PLWMRPEU
 Art. 788BISCAT
 Art. 82534PLWMODEU

LAVABO / WASHBASIN

Art. 82541PLWM

WC E BIDET / WC AND BIDET

Art. 44033WM
 Art. 82524PLWM
 Art. 900PLOR
 Art. 899PLOO
 Art. 82522PLWM

ACCESSORI / ACCESSORIES

Art. 82001PLWM
 Art. 44007PL30



CREATIVE CONTAMINATIONS

BALENA

Andrea Castrignano
INTERMEDIAZIONE E PROGETTAZIONE IMMOBILIARE



Andrea Castrignano ha pensato a due colorazioni esclusive per Linea by AC. Rouille, una tonalità calda e avvolgente che mescola rosso, arancione e marrone e ricorda le sfumature del ferro ossidato. Ideale per accostamenti con le tinte più chiare dell'arredamento grazie alla sua leggera opacità, si impone con un carattere deciso. E Balena, una nuance fresca ed elegante ispirata ai fondali marini. Versatile e raffinata, risponde al desiderio di progettare un bagno di tendenza.

Andrea Castrignano chose two exclusive colors for Linea by AC. Rouille: a warm and enveloping shade that mixes red, orange and brown, inspired by the nuances of oxidized iron; the ideal solution, able to stand out and affirm its strong character, especially if matched with lighter furniture, with which it perfectly pairs thanks to its slight opacity. And Balena: a fresh and elegant shade reminiscent of natural seabeds; versatile and refined, this color is the answer to anyone looking to create a contemporary and trend-setting bathroom.



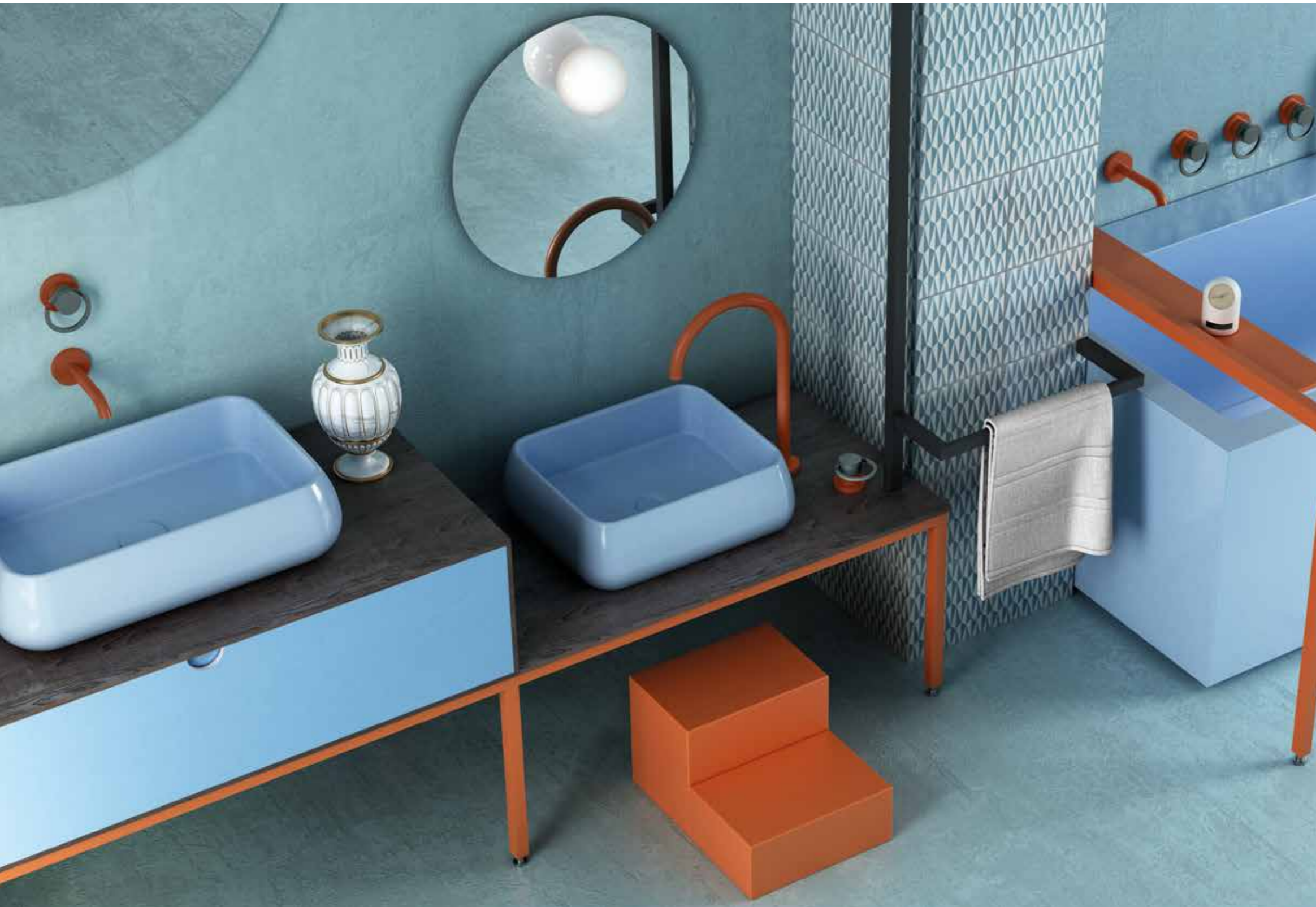
ROUILLE

Andrea Castrignano
INTERMEDIAZIONE E PROGETTAZIONE IMMOBILIARE

LAVABO / WASHBASIN
Art. 82540RMWM

VASCA / BATHTUB
Art. 82524RMWM
Art. 01017RM19
Art. 00844WM00
Art. 00790WM00





CREATE IS RENOVATE



LAVABO / WASHBASIN
Art. 82540RMWM
Art. 82501RMWMOH

VASCA / BATHTUB
Art. 82524RMWM
Art. 01017RM19

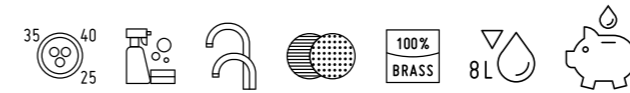
LAVABO / WASHBASIN
Art. 82541HMOR
Art. 30698ORDA
Art. 00067HM00

ACCESSORI / ACCESSORIES
Art. 82001HMOR
Art. 44007OR30
Art. 44009OR00



INFORMAZIONI TECNICHE

Technical details



CARTUCCIA: La serie Linea by AC è dotata di diverse tipologie di cartucce da \varnothing 35 mm con e senza distributore.

La temperatura d'impianto non deve superare i 70°C. La pressione di esercizio dell'impianto consigliata è di 3 bar.

EROGAZIONE: La serie Linea by AC ha un tipo di erogazione morbida. **I lavabi e i bidet sono forniti con limitatore di portata da 6 l/m.**

SISTEMI DI DEVIAZIONE: I deviatori Bongio sono testati per funzionare da un minimo di 0,5 bar pressione.

INSTALLAZIONE: Tutti gli articoli ad incasso Bongio completi sono forniti di relative parti incasso.

Gli articoli doccia e vasca esterni hanno un interasse di 15±20 mm.

Per gli articoli lavabo e bidet, monoforo e tre fori, da installarsi su piano, devono essere realizzati fori \varnothing 35 mm massimo.

CARTRIDGE: Linea by AC series uses different kind of cartridges \varnothing 35 mms with and without distributor.

The temperature of the plant must not exceed 70°. The ideal working pressure of the plant is 3 bar.

SUPPLY: Linea by AC series has a soft supply. **Basin and bidet mixers have a standard limitation of flow to 6 l/m which reduces the water waste.**

DIVERTING SYSTEMS: Bongio diverters have been tested to work properly starting from a minimum 0,5 bar pressure

INSTALLATION: All the built-in Bongio items are available with universal raw built-in body.

All the external shower and bath mixers have the 15±20 mms interaxe.

For the basin and bidet mixers - single or three holes - to be place on top deck, they require \varnothing 35 mms maximum holes.

FINITURE E COLORI / FINISHES AND COLOURS

DETTAGLI / MORE INFO PAG. 38



CR
Cromo
Chrome



CN
Cromo Nero
Black Chrome



NM
Cromo Nero Satinato
Matt Black Chrome



CM
Cromo Satinato
Matt Chrome



NS
Nichel Spazzolato
Brushed Nickel



IM
Nichel Satinato
Matt Nickel



PL
Platinum
Platinum



OR
Oro 24kt
24kt Gold



OP
Oro Spazzolato 24kt
24kt Brushed Gold



OM
Oro Satinato
Matt Gold



AM
Oro Rosa Satinato
Matt Rose Gold



HM
Oro Francese Satinato
Matt French Gold



BM
Bronzo Opaco
Matt Bronze



BI
Bianco Opaco
Matt White



NE
Nero Opaco
Matt Black
(RAL 9005)



RS
Rosso
Red
(RAL 3000)



WM
Balena
Whale



RM
Rouille
Rust

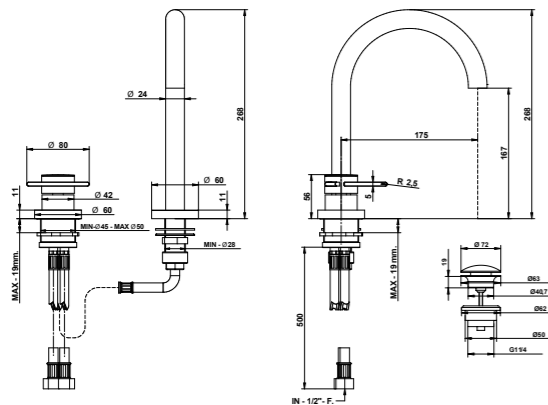


RB
Moka Opaco
Matt Moka

82501

Gruppo lavabo bordo piano 2 fori con piletta clic-clac

Two holes basin mixer with clic-clac waste

**ARTICOLO COMPLETO / COMPLETE ITEM**

82501CRCR
CRCR

82501CRWM
CRWM/CRRM/CRRS/CRNE/CRBI/CROR

82501CRNM
CRNM/CRCM/CRIM/CRHM/CROM/CRAM/CRBM

82501WMWM
WMWM/RMRM/BIBI/NENE/RSRS/NSNS/RBRB/WMRM/
RMWM/WMOR/RMOR/NECR

82501OROR
OROR/ORCR/OROM/ORHM/BIOP/BIOR/NEOP/NEOR/
NECN/PLWM/PLRM/ORWM/ORRM/WMHM/WMCN

82501OPOP
OPOP/OPOR/NMNM/HMNM/HMOR/CNNE/NMNE/NMCR/
HMCR/HMWM/HMRM/CNCR/FAFA/TTTT/CNWM/FARM/
FAWM/TTRM

82501XXXX *
XXXX

* XX: Per tutte le altre finiture fattibili riferirsi a questa fascia di prezzo. /
Refer to this line of price for all other realizable finishes.

ABBINABILE A / TO MATCH WITH:
Sifone / Siphon - **00067CR00**

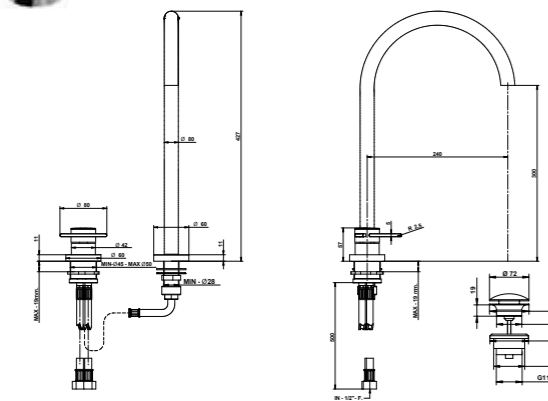
RICAMBI / SPARE PARTS

	9813		9379
--	------	--	------

82501/H

Gruppo lavabo bordo piano 2 fori con bocca alta e piletta clic-clac

Two holes basin mixer high spout with clic-clac waste

**ARTICOLO COMPLETO / COMPLETE ITEM**

82501CRCR0H
CRCR

82501CRWM0H
CRWM/CRRM/CRRS/CRNE/CRBI/CROR

82501CRNM0H
CRNM/CRCM/CRIM/CRHM/CROM/CRAM/CRBM

82501WMWM0H
WMWM/RMRM/BIBI/NENE/RSRS/NSNS/RBRB/WMRM/
RMWM/WMOR/RMOR/NECR

82501OROR0H
OROR/ORCR/OROM/ORHM/BIOP/BIOR/NEOP/NEOR/
NECN/PLWM/PLRM/ORWM/ORRM/WMHM/WMCN

82501OPOP0H
OPOP/OPOR/NMNM/HMNM/HMOR/CNNE/NMNE/NMCR/
HMCR/HMWM/HMRM/CNCR/FAFA/TTTT/CNWM/FARM/
FAWM/TTRM

82501XXXX0H *
XXXX

* XX: Per tutte le altre finiture fattibili riferirsi a questa fascia di prezzo. /
Refer to this line of price for all other realizable finishes.

ABBINABILE A / TO MATCH WITH:
Sifone / Siphon - **00067CR00**

RICAMBI / SPARE PARTS

	9813		9379
--	------	--	------

82503

Gruppo bidet con bocca da piano, miscelatore incasso a muro e piletta clic-clac

Bidet set with deck spout, built-in mixer and clic-clac waste

**ARTICOLO COMPLETO / COMPLETE ITEM**

82503CRCR
CRCR

PARTE INCASSO
BUILT-IN PART

PARTE ESTERNA DA ABBINARE
EXTERNAL MATCHING PART

09651

FINITURE / FINISHES

82503CRCREU
CRCR

82503CRWMEU
CRWM/CRRM/CRRS/
CRNE/CRBI/CROR

82503CRNMEU
CRNM/CRCM/CRIM/
CRHM/CROM/CRAM/
CRBM

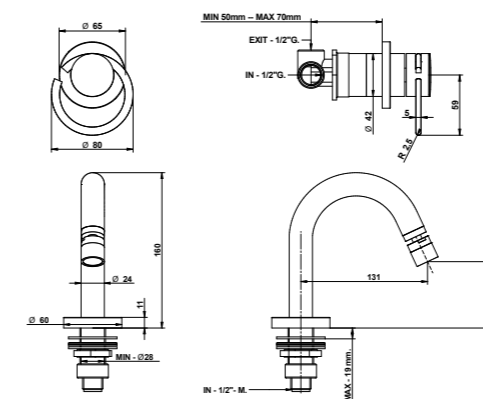
82503WMWMEU
WMWM/RMRM/BIBI/
NENE/RSRS/NSNS/
RBRB/WMRM/RMWM/
WMOR/RMOR/NECR

82503OROREU
OROR/ORCR/OROM/
ORHM/BIOP/BIOR/
NEOP/NEOR/NECN/
PLWM/PLRM/ORWM/
ORRM/WMHM/WMCN

82503OPOPEU
OPOP/OPOR/NMNM/
HMNM/HMOR/CNNE/
NMNE/NMCR/HMCR/
HMWM/HMRM/CNCR/
FAFA/TTTT/CNWM/
FARM/FAWM/TTRM

82503XXXXEU *
XXXX

* XX: Per tutte le altre finiture fattibili riferirsi a questa fascia di prezzo. /
Refer to this line of price for all other realizable finishes.



ABBINABILE A / TO MATCH WITH:
Sifone / Siphon - **00066OR00**

PROLUNGA / MIXER EXTENSION

82100CRPR

OPTIONAL: Scatola incasso per cartongesso / Built-in box for drywall and cavity wall **09702PBOX**

RICAMBI / SPARE PARTS

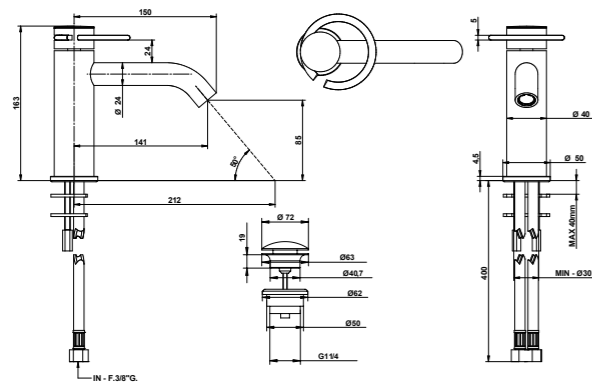
	9813		9980CR
--	------	--	--------

FINITURE E COLORI / FINISHES AND COLOURS**ACCESSORI E RICAMBI / ACCESSORIES AND SPARE PARTS**

82521

Miscelatore lavabo con piletta clic/clac

Basin mixer with clic/clac waste



ARTICOLO COMPLETO / COMPLETE ITEM

82521CRCR
CRCR

82521CRWM
CRWM/CRRM/CRRS/CRNE/CRBI/CROR

82521CRNM
CRNM/CRCM/CRIM/CRHM/CROM/CRAM/CRBM

82521WMWM
WMWM/RMRM/BIBI/NENE/RSRS/NSNS/RBRB/WMRM/
RMWM/WMOR/RMOR/NECR

82521OROR
OROR/ORCR/OROM/ORHM/BIOP/BIOR/NEOP/NEOR/
NECN/PLWM/PLRM/ORWM/ORRM/WMHM/WMCN

82521OPOP
OPOP/OPOR/NMNM/HMNM/HMOR/CNNE/NMNE/NMCR/
HMCR/HMWM/HMRM/CNCR/FAFA/TTTT/CNWM/FARM/
FAWM/TTRM

82521XXXX *
XXXX

* XX: Per tutte le altre finiture fattibili riferirsi a questa fascia di prezzo. /
Refer to this line of price for all other realizable finishes.

ABBINABILE A / TO MATCH WITH:
Sifone / Siphon - **00067CR00**

PROLUNGA / MIXER EXTENSION

00930CR15

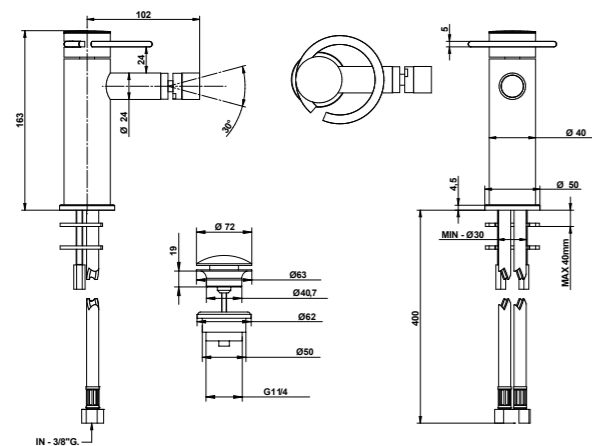
RICAMBI / SPARE PARTS

9855 **9390**

82522

Miscelatore bidet con piletta clic/clac

Bidet mixer with clic/clac waste



ARTICOLO COMPLETO / COMPLETE ITEM

82522CRCR
CRCR

82522CRWM
CRWM/CRRM/CRRS/CRNE/CRBI

82522CROR
CROR/CRNM/CRCM/CRIM/CRHM/CROM/CRAM/CRBM

82522WMWM
WMWM/RMRM/BIBI/NENE/RSRS/NSNS/RBRB/WMRM/
RMWM/WMOR/RMOR/NECR

82522OROR
OROR/ORCR/OROM/ORHM/BIOP/BIOR/NEOP/NEOR/
NECN/PLWM/PLRM/ORWM/ORRM/WMHM/WMCN

82522OPOP
OPOP/OPOR/NMNM/HMNM/HMOR/CNNE/NMNE/NMCR/
HMCR/HMWM/HMRM/CNCR/FAFA/TTTT/CNWM/FARM/
FAWM/TTRM

82522XXXX *
XXXX

* XX: Per tutte le altre finiture fattibili riferirsi a questa fascia di prezzo. /
Refer to this line of price for all other realizable finishes.

ABBINABILE A / TO MATCH WITH:
Sifone / Siphon - **00066OR00**

RICAMBI / SPARE PARTS

9855 **9980OR**

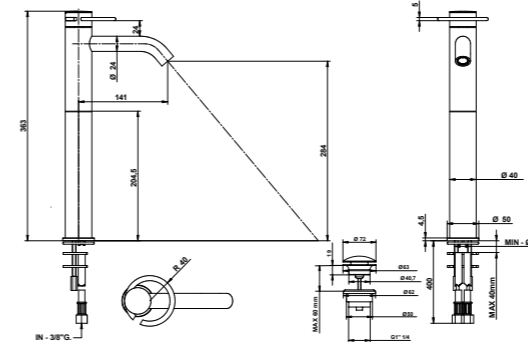
FINITURE E COLORI / FINISHES AND COLOURS



82532

Miscelatore lavabo con prolunga 150 mm e con piletta clic/clac.

Basin mixer with 150 mm extension and Clic-Clac waste.



ARTICOLO COMPLETO / COMPLETE ITEM

82532CRCR
CRCR

82532CRWM
CRWM/CRRM/CRRS/CRNE/CRBI/CROR

82532CRNM
CRNM/CRCM/CRIM/CRHM/CROM/CRAM/CRBM

82532WMWM
WMWM/RMRM/BIBI/NENE/RSRS/NSNS/RBRB/WMRM/
RMWM/WMOR/RMOR/NECR

82532OROR
OROR/ORCR/OROM/ORHM/BIOP/BIOR/NEOP/NEOR/
NECN/PLWM/PLRM/ORWM/ORRM/WMHM/WMCN

82532OPOP
OPOP/OPOR/NMNM/HMNM/HMOR/CNNE/NMNE/NMCR/
HMCR/HMWM/HMRM/CNCR/FAFA/TTTT/CNWM/FARM/
FAWM/TTRM

82532XXXX *
XXXX

* XX: Per tutte le altre finiture fattibili riferirsi a questa fascia di prezzo. /
Refer to this line of price for all other realizable finishes.

ABBINABILE A / TO MATCH WITH:
Sifone / Siphon - **00067CR00**

PROLUNGA / MIXER EXTENSION

00930CR15

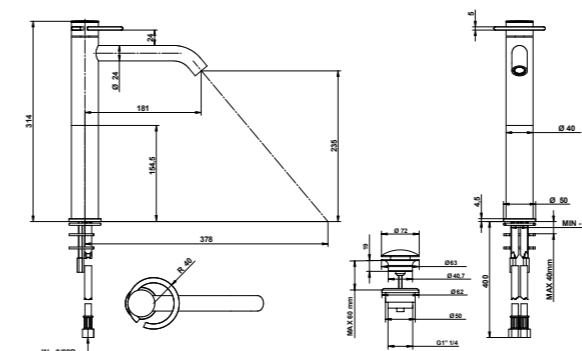
RICAMBI / SPARE PARTS

9855 **9390**

82520/15

Miscelatore lavabo con bocca lunga e prol. mm150 con piletta clic/clac

High basin mixer with long spout and extension 150mms Clic-Clac waste.



ARTICOLO COMPLETO / COMPLETE ITEM

82520CRCR15
CRCR

82520CRWM15
CRWM/CRRM/CRRS/CRNE/CRBI/CROR

82520CRNM15
CRNM/CRCM/CRIM/CRHM/CROM/CRAM/CRBM

82520WMWM15
WMWM/RMRM/BIBI/NENE/RSRS/NSNS/RBRB/WMRM/
RMWM/WMOR/RMOR/NECR

82520OROR15
OROR/ORCR/OROM/ORHM/BIOP/BIOR/NEOP/NEOR/
NECN/PLWM/PLRM/ORWM/ORRM/WMHM/WMCN

82520OPOP15
OPOP/OPOR/NMNM/HMNM/HMOR/CNNE/NMNE/NMCR/
HMCR/HMWM/HMRM/CNCR/FAFA/TTTT/CNWM/FARM/
FAWM/TTRM

82520XXXX15 *
XXXX

* XX: Per tutte le altre finiture fattibili riferirsi a questa fascia di prezzo. /
Refer to this line of price for all other realizable finishes.

ABBINABILE A / TO MATCH WITH:
Sifone / Siphon - **00067CR00**

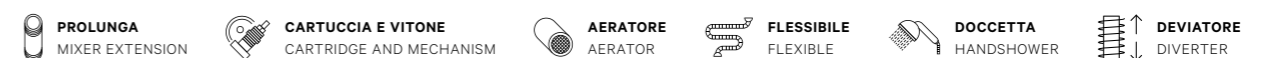
PROLUNGA / MIXER EXTENSION

00930CR15

RICAMBI / SPARE PARTS

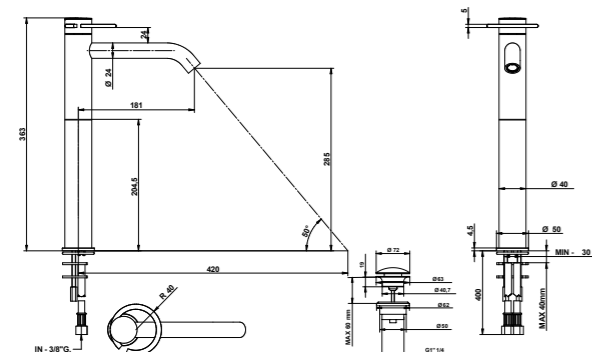
9855 **9390**

ACCESSORI E RICAMBI / ACCESSORIES AND SPARE PARTS



82520/20

Miscelatore lavabo con bocca lunga e prol. mm200 con piletta clic/clac High basin mixer with long spout and extension 200mms Clic-Clac waste.



ARTICOLO COMPLETO / COMPLETE ITEM

82520CRCR20
CRCR

82520CRWM20
CRWM/CRRM/CRRS/CRNE/CRBI/CROR

82520CRNM20
CRNM/CRCM/CRIM/CRHM/CROM/CRAM/CRBM

82520WMWM20
WMWM/RMRM/BIBI/NENE/RSRS/NSNS/RBRB/WMRM/
RMWM/WMOR/RMOR/NECR

82520OROR20
OROR/ORCR/OROM/ORHM/BIOP/BIOR/NEOP/NEOR/
NECN/PLWM/PLRM/ORWM/ORRM/WMHM/WMCN

82520OPOPEU
OPOP/OPOR/NMNM/HMNM/HMOR/CNNE/NMNE/NMCR/
HMCR/HMWM/HMRM/CNCR/FAFA/TTTT/CNWM/FARM/
FAWM/TTRM

82520XXXX20 *
XXXX

* XX: Per tutte le altre finiture fattibili riferirsi a questa fascia di prezzo. /
Refer to this line of price for all other realizable finishes.

ABBINABILE A / TO MATCH WITH:
Sifone / Siphon - **00067CR00**

PROLUNGA / MIXER EXTENSION

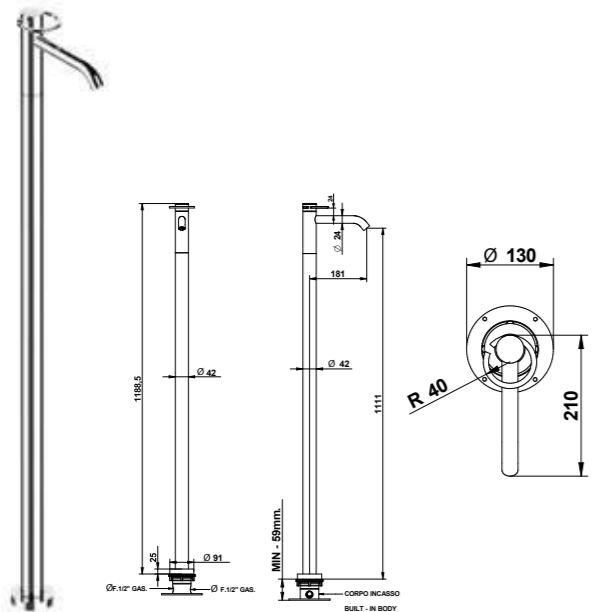
00930CR15

RICAMBI / SPARE PARTS

9855 **9390**

82533

Miscelatore lavabo a pavimento Floor basin mixer column



* XX: Per tutte le altre finiture fattibili riferirsi a questa fascia di prezzo. /
Refer to this line of price for all other realizable finishes.

ABBINABILE A / TO MATCH WITH:
Sifone / Siphon - **00067CR00**
Piletta clic-clac / Clic-clac waste - **00079CR00**

RICAMBI / SPARE PARTS

9855 **9390**

FINITURE E COLORI / FINISHES AND COLOURS



ARTICOLO COMPLETO / COMPLETE ITEM

82533CRCR
CRCR

PARTE INCASSO
BUILT-IN PART

PARTE ESTERNA DA ABBINARE
EXTERNAL MATCHING PART

09744

FINITURE / FINISHES

82533CRCREU
CRCR

82533CRWMEU
CRWM/CRRM/CRRS/
CRNE/CRBI/CROR

82533CRNMEU
CRNM/CRCM/CRIM/
CRHM/CROM/CRAM/
CRBM

82533WMWMEU
WMWM/RMRM/BIBI/
NENE/RSRS/NSNS/
RBRB/WMRM/RMWM/
WMOR/RMOR/NECR

82533OROREU
OROR/ORCR/OROM/
ORHM/BIOP/BIOR/
NEOP/NEOR/NECN/
PLWM/PLRM/ORWM/
ORRM/WMHM/WMCN

82533OPOPEU
OPOP/OPOR/NMNM/
HMNM/HMOR/CNNE/
NMNE/NMCR/HMCR/
HMWM/HMRM/CNCR/
FAFA/TTTT/CNWM/
FARM/FAWM/TTRM

82533XXXXEU *
XXXX

82538

Miscelatore lavabo a parete con bocca da mm 190 Built-in basin mixer with 190 mms spout



ARTICOLO COMPLETO / COMPLETE ITEM

82538CRCR
CRCR

PARTE INCASSO
BUILT-IN PART

PARTE ESTERNA DA ABBINARE
EXTERNAL MATCHING PART

09651

FINITURE / FINISHES

82538CRCREU
CRCR

82538CRWMEU
CRWM/CRRM/CRRS/
CRNE/CRBI/CROR

82538CRNMEU
CRNM/CRCM/CRIM/
CRHM/CROM/CRAM/
CRBM

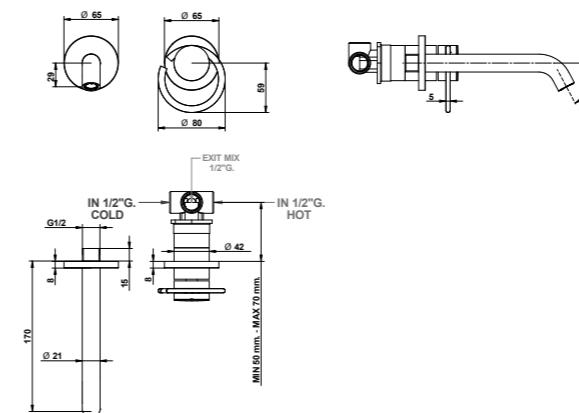
82538WMWMEU
WMWM/RMRM/BIBI/
NENE/RSRS/NSNS/
RBRB/WMRM/RMWM/
WMOR/RMOR/NECR

82538OROREU
OROR/ORCR/OROM/
ORHM/BIOP/BIOR/
NEOP/NEOR/NECN/
PLWM/PLRM/ORWM/
ORRM/WMHM/WMCN

82538OPOPEU
OPOP/OPOR/NMNM/
HMNM/HMOR/CNNE/
NMNE/NMCR/HMCR/
HMWM/HMRM/CNCR/
FAFA/TTTT/CNWM/
FARM/FAWM/TTRM

82538XXXXEU *
XXXX

* XX: Per tutte le altre finiture fattibili riferirsi a questa fascia di prezzo. /
Refer to this line of price for all other realizable finishes.



ABBINABILE A / TO MATCH WITH:
Sifone / Siphon - **00067CR00**
Piletta clic-clac / Clic-clac waste - **00079CR00**

PROLUNGA / MIXER EXTENSION

82100CRPR

OPTIONAL: Scatola incasso per cartongesso / Built-in box for drywall and cavity wall **09702PBOX**

RICAMBI / SPARE PARTS

9813 **9390**

ACCESSORI E RICAMBI / ACCESSORIES AND SPARE PARTS



82538/1A

Miscelatore lavabo incasso con bocca completo di connessione incasso

Built-in basin mixer with spout complete with built-in connections



ARTICOLO COMPLETO / COMPLETE ITEM

82538CRCR1A
CRCR

PARTE INCASSO BUILT-IN PART

09690/LI

PARTE ESTERNA DA ABBINARE EXTERNAL MATCHING PART

FINITURE / FINISHES

82538CRCR1AEU
CRCR

82538CRWM1AEU
CRWM/CRRM/CRRS/
CRNE/CRBI/CROR

82538CRNM1AEU
CRNM/CRCM/CRIM/
CRHM/CROM/CRAM/
CRBM

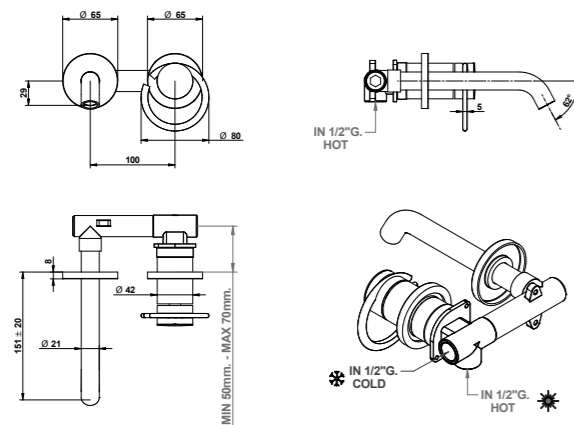
82538WMWM1AEU
WMWM/RMRM/BIBI/
NENE/RSRS/NSNS/
RBRB/WMRM/RMWM/
WMOR/RMOR/NECR

82538OROR1AEU
OROR/ORCR/OROM/
ORHM/BIOP/BIOR/
NEOP/NEOR/NECN/
PLWM/PLRM/ORWM/
ORRM/WMHM/WMCN

82538OPOP1AEU
OPOP/OPOR/NMNM/
HMHM/HMOR/CNNE/
NMNE/NMCR/HMCR/
HMWM/HMRM/CNCR/
FAFA/TTTT/CNWM/
FARM/FAWM/TTRM

82538XXXX1AEU *
XXXX

* XX: Per tutte le altre finiture fattibili riferirsi a questa fascia di prezzo. / Refer to this line of price for all other realizable finishes.



ABBINABILE A / TO MATCH WITH:
Sifone / Siphon - **00067CR00**
Piletta clic-clac / Clic-clac waste - **00079CR00**

PROLUNGA / MIXER EXTENSION

82100CRPR

RICAMBI / SPARE PARTS

9813 9390

FINITURE E COLORI / FINISHES AND COLOURS



82540

Miscelatore lavabo incasso con bocca completo di connessione incasso

Built-in basin mixer with spout complete with built-in connections



ARTICOLO COMPLETO / COMPLETE ITEM

82540CRCR
CRCR

PARTE INCASSO BUILT-IN PART

09690/LV

PARTE ESTERNA DA ABBINARE EXTERNAL MATCHING PART

FINITURE / FINISHES

82540CRCREU
CRCR

82540CRWMEU
CRWM/CRRM/CRRS/
CRNE/CRBI/CROR

82540CRNMEU
CRNM/CRCM/CRIM/
CRHM/CROM/CRAM/
CRBM

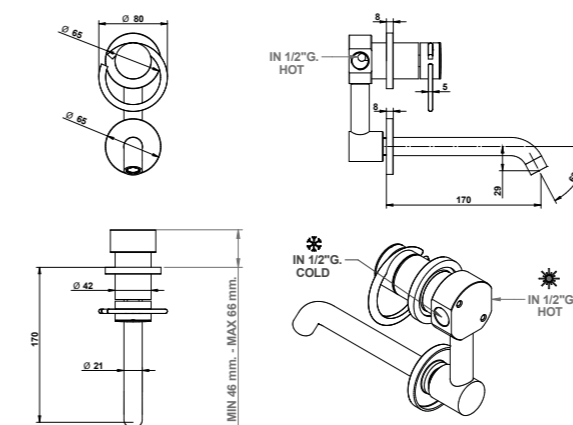
82540WMWMEU
WMWM/RMRM/BIBI/
NENE/RSRS/NSNS/
RBRB/WMRM/RMWM/
WMOR/RMOR/NECR

82540OROREU
OROR/ORCR/OROM/
ORHM/BIOP/BIOR/
NEOP/NEOR/NECN/
PLWM/PLRM/ORWM/
ORRM/WMHM/WMCN

82540OPOPEU
OPOP/OPOR/NMNM/
HMHM/HMOR/CNNE/
NMNE/NMCR/HMCR/
HMWM/HMRM/CNCR/
FAFA/TTTT/CNWM/
FARM/FAWM/TTRM

82540XXXXEU *
XXXX

* XX: Per tutte le altre finiture fattibili riferirsi a questa fascia di prezzo. / Refer to this line of price for all other realizable finishes.



ABBINABILE A / TO MATCH WITH:
Sifone / Siphon - **00067CR00**
Piletta clic-clac / Clic-clac waste - **00079CR00**

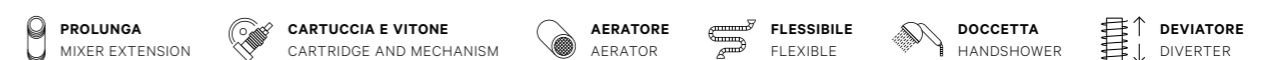
PROLUNGA / MIXER EXTENSION

82140CRPR

RICAMBI / SPARE PARTS

9856 9390

ACCESSORI E RICAMBI / ACCESSORIES AND SPARE PARTS



82539

Miscelatore lavabo a parete con piastra e bocca / Wall basin mixer with spout and plate



ARTICOLO COMPLETO / COMPLETE ITEM

82539CRCR
CRCR

PARTE INCASSO / BUILT-IN PART **PARTE ESTERNA DA ABBINARE / EXTERNAL MATCHING PART**

FINITURE / FINISHES	
09690/LI	82539CRCREU CRCR
	82539CRWMEU CRWM/CRRM/CRRS/ CRNE/CRBI/CROR
	82539CRNMEU CRNM/CRCM/CRIM/ CRHM/CROM/CRAM/ CRBM
	82539WMWMEU WMWM/RMRM/BIBI/ NENE/RSRS/NSNS/ RBRB/WMRM/RMWM/ WMOR/RMOR/NECR
	82539OROREU OROR/ORCR/OROM/ ORHM/BIOP/BIOR/ NEOP/NEOR/NECN/ PLWM/PLRM/ORWM/ ORRM/WMHM/WMCN
	82539OPOPEU OPOP/OPOR/NMNM/ HMHM/HMOR/CNNE/ NMNE/NMCR/HMCR/ HMWM/HMRM/CNCR/ FAFA/TTTT/CNWM/ FARM/FAWM/TTRM
	82539XXXXEU * XXXX

* XX: Per tutte le altre finiture fattibili riferirsi a questa fascia di prezzo. / Refer to this line of price for all other realizable finishes.

82541

Miscelatore lavabo a parete con piastra e bocca / Wall basin mixer with spout and plate



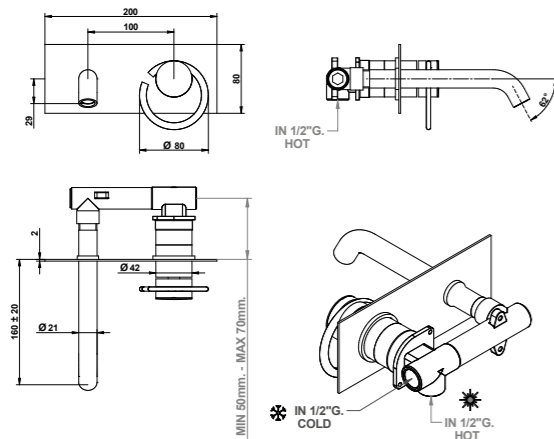
ARTICOLO COMPLETO / COMPLETE ITEM

82541CRCR
CRCR

PARTE INCASSO / BUILT-IN PART **PARTE ESTERNA DA ABBINARE / EXTERNAL MATCHING PART**

FINITURE / FINISHES	
09690/LV	82541CRCREU CRCR
	82541CRWMEU CRWM/CRRM/CRRS/ CRNE/CRBI/CROR
	82541CRNMEU CRNM/CRCM/CRIM/ CRHM/CROM/CRAM/ CRBM
	82541WMWMEU WMWM/RMRM/BIBI/ NENE/RSRS/NSNS/ RBRB/WMRM/RMWM/ WMOR/RMOR/NECR
	82541OROREU OROR/ORCR/OROM/ ORHM/BIOP/BIOR/ NEOP/NEOR/NECN/ PLWM/PLRM/ORWM/ ORRM/WMHM/WMCN
	82541OPOPEU OPOP/OPOR/NMNM/ HMHM/HMOR/CNNE/ NMNE/NMCR/HMCR/ HMWM/HMRM/CNCR/ FAFA/TTTT/CNWM/ FARM/FAWM/TTRM
	82541XXXXEU * XXXX

* XX: Per tutte le altre finiture fattibili riferirsi a questa fascia di prezzo. / Refer to this line of price for all other realizable finishes.



ABBINABILE A / TO MATCH WITH:
Sifone / Siphon - **00067CR00**
Piletta clic-clac / Clic-clac waste - **00079CR00**

PROLUNGA / MIXER EXTENSION

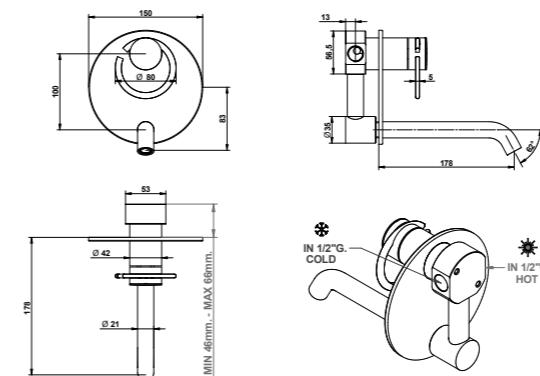
82100CRPR

OPTIONAL: Scatola incasso per cartongesso / Built-in box for drywall and cavity wall **09702PBOX**

RICAMBI / SPARE PARTS

9813	9390
-------------	-------------

FINITURE E COLORI / FINISHES AND COLOURS



ABBINABILE A / TO MATCH WITH:
Sifone / Siphon - **00067CR00**
Piletta clic-clac / Clic-clac waste - **00079CR00**

PROLUNGA / MIXER EXTENSION

82140CRPR

RICAMBI / SPARE PARTS

9856	9390
-------------	-------------

ACCESSORI E RICAMBI / ACCESSORIES AND SPARE PARTS



82570

Gruppo lavello/miscelatore/a parete/ con bocca girevole. Wall kitchen mixer with swivel spout.



ARTICOLO COMPLETO /// COMPLETE ITEM

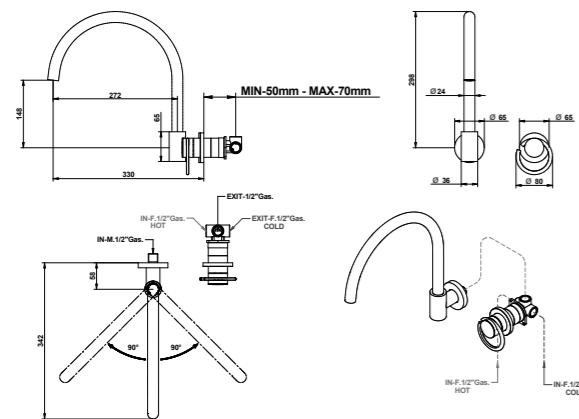
82570CRCR
CRCR

PARTE INCASSO BUILT-IN PART	PARTE ESTERNA DA ABBINARE EXTERNAL MATCHING PART
--------------------------------	---

FINITURE /// FINISHES

09651	82570CRCREU CRCR
	82570CRWMEU CRWM/CRRM/CRRS/ CRNE/CRBI/CROK
	82570CRNMEU CRNM/CRCM/CRIM/ CRHM/CROM/CRAM/ CRBM
	82570WMWMEU WMWM/RMRM/BIBI/ NENE/RSRS/NSNS/ RBRB/WMRM/RMWM/ WMOR/RMOR/NECR
	82570OROREU OROR/ORCR/OROM/ ORHM/BIOP/BIOR/ NEOP/NEOR/NECN/ PLWM/PLRM/ORWM/ ORRM/WMHM/WMCN
82570OPOPEU OPOP/OPOR/NMNM/ HMHM/HMOR/CNNE/ NMNE/NMCR/HMCR/ HMWM/HMRM/HMCR/ FAFA/TTTT/CNWM/ FARM/FAWM/TTRM	
82570XXXXEU * XXXX	

*XX: Per tutte le altre finiture fattibili riferirsi a questa fascia di prezzo. // Refer to this line of price for all other realizable finishes.



ABBINABILE A /// TO MATCH WITH:
Sifone // Siphon /-00067CR00
Piletta clic-clac // Clic-clac waste /-00079CR00

PROLUNGA /// MIXER EXTENSION

	82100CRPR
--	------------------

RICAMBI /// SPARE PARTS

	9813		9379
--	-------------	--	-------------

FINITURE E COLORI / FINISHES AND COLOURS



82524

Miscelatore doccia incasso Built-in shower mixer



ARTICOLO COMPLETO / COMPLETE ITEM

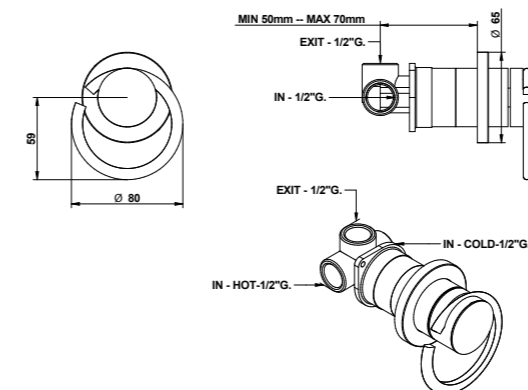
82524CRCR
CRCR

PARTE INCASSO BUILT-IN PART	PARTE ESTERNA DA ABBINARE EXTERNAL MATCHING PART
--------------------------------	---

FINITURE / FINISHES

09651	82524CRCREU CRCR
	82524CRWMEU CRWM/CRRM/CRRS/ CRNE/CRBI/CROK
	82524CRNMEU CRNM/CRCM/CRIM/ CRHM/CROM/CRAM/ CRBM
	82524WMWMEU WMWM/RMRM/BIBI/ NENE/RSRS/NSNS/ RBRB/WMRM/RMWM/ WMOR/RMOR/NECR
	82524OROREU OROR/ORCR/OROM/ ORHM/BIOP/BIOR/ NEOP/NEOR/NECN/ PLWM/PLRM/ORWM/ ORRM/WMHM/WMCN
82524OPOPEU OPOP/OPOR/NMNM/ HMHM/HMOR/CNNE/ NMNE/NMCR/HMCR/ HMWM/HMRM/HMCR/ CNCR/FAFA/TTTT/ CNWM/FARM/FAWM/ TTRM	
82524XXXXEU * XXXX	

*XX: Per tutte le altre finiture fattibili riferirsi a questa fascia di prezzo. // Refer to this line of price for all other realizable finishes.



PROLUNGA / MIXER EXTENSION

	82100CRPR
--	------------------

OPTIONAL: Scatola incasso per cartongesso / Built-in box for drywall and cavity wall **09702PBOX**

RICAMBI / SPARE PARTS

	9813
--	-------------

ACCESSORI E RICAMBI / ACCESSORIES AND SPARE PARTS



82556

Deviatore 2 uscite (1 entrata - 2 uscite). 2 exits diverter (1 in - 2 out).



ARTICOLO COMPLETO / COMPLETE ITEM

82556CRCR
CRCR

PARTE INCASSO BUILT-IN PART **PARTE ESTERNA DA ABBINARE** EXTERNAL MATCHING PART

09491/2

FINITURE / FINISHES

82556CRCREU
CRCR

82556CRWMEU
CRWM/CRRM/CRRS/
CRNE/CRBI/CROR

82556CRNMEU
CRNM/CRCM/CRIM/
CRHM/CROM/CRAM/
CRBM

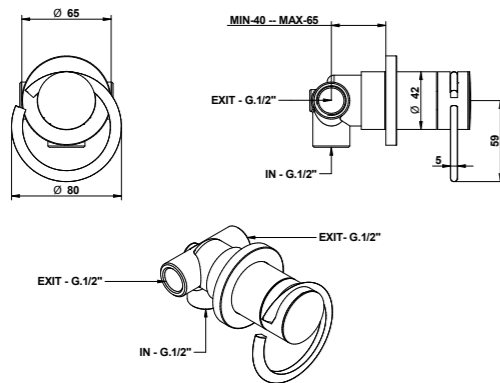
82556WMWMEU
WMWM/RMRM/BIBI/
NENE/RSRS/NSNS/
RBRB/WMRM/RMWM/
WMOR/RMOR/NECR

82556OROREU
OROR/ORCR/OROM/
ORHM/BIOP/BIOR/
NEOP/NEOR/NECN/
PLWM/PLRM/ORWM/
ORRM/WMHM/WMCN

82556OPOPEU
OPOP/OPOR/NMNM/
HMHM/HMOR/CNNE/
NMNE/NMCR/HMCR/
HMWM/HMRM/CNCR/
FAFA/TTTT/CNWM/
FARM/FAWM/TTRM

82556XXXEU *
XXXX

* XX: Per tutte le altre finiture fattibili riferirsi a questa fascia di prezzo. / Refer to this line of price for all other realizable finishes.



PROLUNGA / MIXER EXTENSION

00109CRPR

RICAMBI / SPARE PARTS

9808/2

FINITURE E COLORI / FINISHES AND COLOURS



82556/3

Deviatore 3 uscite (1 entrata - 3 uscite) 3 exits diverter (1 in - 3 out)



ARTICOLO COMPLETO / COMPLETE ITEM

82556CRCR03
CRCR

PARTE INCASSO BUILT-IN PART **PARTE ESTERNA DA ABBINARE** EXTERNAL MATCHING PART

09494

FINITURE / FINISHES

82556CRCR03EU
CRCR

82556CRWM03EU
CRWM/CRRM/CRRS/
CRNE/CRBI/CROR

82556CRNM03EU
CRNM/CRCM/CRIM/
CRHM/CROM/CRAM/
CRBM

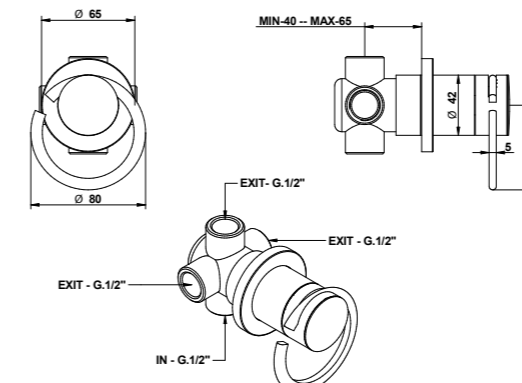
82556WMWM03EU
WMWM/RMRM/BIBI/
NENE/RSRS/NSNS/
RBRB/WMRM/RMWM/
WMOR/RMOR/NECR

82556OROR03EU
OROR/ORCR/OROM/
ORHM/BIOP/BIOR/
NEOP/NEOR/NECN/
PLWM/PLRM/ORWM/
ORRM/WMHM/WMCN

82556OPOP03EU
OPOP/OPOR/NMNM/
HMHM/HMOR/CNNE/
NMNE/NMCR/HMCR/
HMWM/HMRM/CNCR/
FAFA/TTTT/CNWM/
FARM/FAWM/TTRM

82556XXX03EU *
XXXX

* XX: Per tutte le altre finiture fattibili riferirsi a questa fascia di prezzo. / Refer to this line of price for all other realizable finishes.



PROLUNGA / MIXER EXTENSION

000109CRPR

RICAMBI / SPARE PARTS

9808

ACCESSORI E RICAMBI / ACCESSORIES AND SPARE PARTS



82519

Miscelatore incasso doccia con deviatore meccanico a 2 uscite

Built-in shower mixer with 2 exits mechanical diverter



ARTICOLO COMPLETO / COMPLETE ITEM

82519CRCR
CRCR

PARTE INCASSO BUILT-IN PART	PARTE ESTERNA DA ABBINARE EXTERNAL MATCHING PART
09653	FINITURE / FINISHES
	82519CRCREU CRCR
	82519CRWMEU CRWM/CRRM/CRRS/ CRNE/CRBI/CROR
	82519CRNMEU CRNM/CRCM/CRIM/ CRHM/CROM/CRAM/ CRBM
	82519WMWMEU WMWM/RMRM/BIBI/ NENE/RSRS/NSNS/ RBRB/WMRM/RMWM/ WMOR/RMOR/NECR
82519OROREU OROR/ORCR/OROM/ ORHM/BIOP/BIOR/ NEOP/NEOR/NECN/ PLWM/PLRM/ORWM/ ORRM/WMHM/WMCN	
82519OPOPEU OPOP/OPOR/NMNM/ HMHM/HMOR/CNNE/ NMNE/NMCR/HMCR/ HMWM/HMRM/CNCR/ FAFA/TTTT/CNWM/ FARM/FAWM/TTRM	
82519XXXEU * XXXX	

* XX: Per tutte le altre finiture fattibili riferirsi a questa fascia di prezzo. / Refer to this line of price for all other realizable finishes.

82519/03

Miscelatore incasso doccia con deviatore meccanico a 3 uscite.

Built-in shower mixer with 3 exits mechanical diverter.

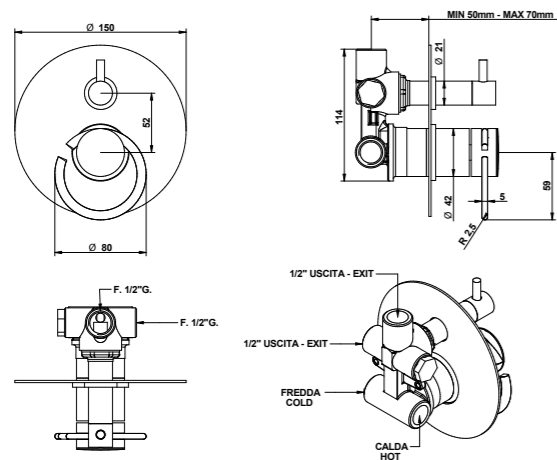


ARTICOLO COMPLETO / COMPLETE ITEM

82519CRCR03
CRCR

PARTE INCASSO BUILT-IN PART	PARTE ESTERNA DA ABBINARE EXTERNAL MATCHING PART
09653/3	FINITURE / FINISHES
	82519CRCR03EU CRCR
	82519CRWM03EU CRWM/CRRM/CRRS/ CRNE/CRBI/CROR
	82519CRNM03EU CRNM/CRCM/CRIM/ CRHM/CROM/CRAM/ CRBM
	82519WMW03EU WMWM/RMRM/BIBI/ NENE/RSRS/NSNS/ RBRB/WMRM/RMWM/ WMOR/RMOR/NECR
82519OROR03EU OROR/ORCR/OROM/ ORHM/BIOP/BIOR/ NEOP/NEOR/NECN/ PLWM/PLRM/ORWM/ ORRM/WMHM/WMCN	
82519OPOP03EU OPOP/OPOR/NMNM/ HMHM/HMOR/CNNE/ NMNE/NMCR/HMCR/ HMWM/HMRM/CNCR/ FAFA/TTTT/CNWM/ FARM/FAWM/TTRM	
82519XXX03EU * XXXX	

* XX: Per tutte le altre finiture fattibili riferirsi a questa fascia di prezzo. / Refer to this line of price for all other realizable finishes.



PROLUNGA / MIXER EXTENSION

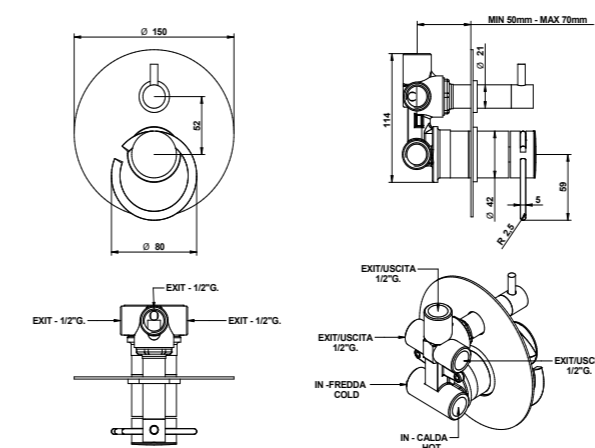
82102CRPRP3

OPTIONAL: Scatola incasso per cartongesso / Built-in box for drywall and cavity wall **09702PBOX**

RICAMBI / SPARE PARTS

9813 **9861**

FINITURE E COLORI / FINISHES AND COLOURS



PROLUNGA / MIXER EXTENSION

82102CRPRP3

OPTIONAL: Scatola incasso per cartongesso / Built-in box for drywall and cavity wall **09702PBOX**

RICAMBI / SPARE PARTS

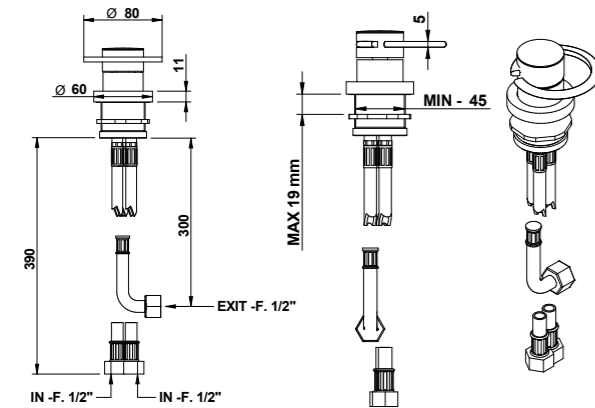
9813 **09860**

ACCESSORI E RICAMBI / ACCESSORIES AND SPARE PARTS



82510 NEW

Miscelatore bordo piano Mixer for deck installation



ARTICOLO COMPLETO / COMPLETE ITEM

82510CRCR
CRCR

82510CRWM
CRWM/CRRM/CRRS/CRNE/CRBI/CROR

82510CRNM
CRNM/CRCM/CRIM/CRHM/CROM/CRAM/CRBM

82510WMWM
WMWM/RMRM/BIBI/NENE/RSRS/NSNS/RBRB/WMRM/RMWM/WMOR/RMOR/NECR

82510OROR
OROR/ORCR/OROM/ORHM/BIOP/BIOR/NEOP/NEOR/NECN/PLWM/PLRM/ORWM/ORRM/WMHM/WMCN

82510OPOP
OPOP/OPOR/NMNM/HMNM/HMOR/CNNE/NMNE/NMCR/HMCR/HMWM/HMRM/CNCR/FAFA/TTTT/CNWM/FARM/FAWM/TTRM

82510XXXX *
XXXX

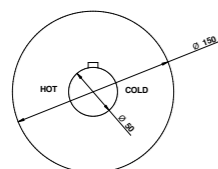
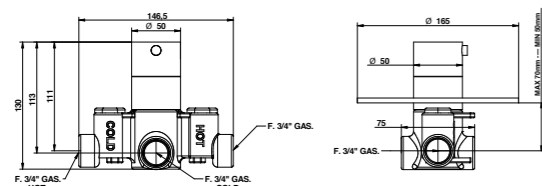
* XX: Per tutte le altre finiture fattibili riferirsi a questa fascia di prezzo. / Refer to this line of price for all other realizable finishes.

RICAMBI / SPARE PARTS

9813

40554/R

Termostatico incasso da 3/4" senza chiusura. 3/4" built-in thermostatic shower mixer without lock.



ARTICOLO COMPLETO / COMPLETE ITEM

40554CRCROR
CRCR

PARTE INCASSO
BUILT-IN PART

PARTE ESTERNA DA ABBINARE
EXTERNAL MATCHING PART

09700

FINITURE / FINISHES

40554CRCR0REU
CRCR

40554BIBI0REU *
BIBI/NENE/NSNS/BUBU/ONON

40554AMAM0REU *
AMAM/OROR/NMNM/HMNM/OMOM/BMBM/CMCM/IMIM

40554OPOP0REU *
OPOP/TTTT/FAFA

40554XXXX0REU □
XXXX

* Nelle varianti colore verniciate e satinare alcuni particolari saranno in finitura galvanica per garantire gli standard qualitativi. / To assure our quality standard on colored and satin product, some details remain in galvanic finishes.

* XX: Per tutte le altre finiture fattibili riferirsi a questa fascia di prezzo. / Refer to this line of price for all other realizable finishes.

ABBINABILE A / TO MATCH WITH:
Rubinetto incasso / Built-in tap - 40498 - 40500 - 63500 - 38500 - 42500 - 82500

PROLUNGA / MIXER EXTENSION

00111CRPR

RICAMBI / SPARE PARTS

9837

FINITURE E COLORI / FINISHES AND COLOURS



82500

Rubinetto incasso da 1/2" 1/2" built-in tap.



ARTICOLO COMPLETO / COMPLETE ITEM

82500CRCR
CRCR

PARTE INCASSO
BUILT-IN PART

PARTE ESTERNA DA ABBINARE
EXTERNAL MATCHING PART

9778/LI
CALDA / hot

9778/LI
FREDDA / cold

FINITURE / FINISHES

82500CRCREU
CRCR

82500CRWMEU
CRWM/CRRM/CRRS/CRNE/CRBI/CROR

82500CRNMEU
CRNM/CRCM/CRIM/CRHM/CROM/CRAM/CRBM

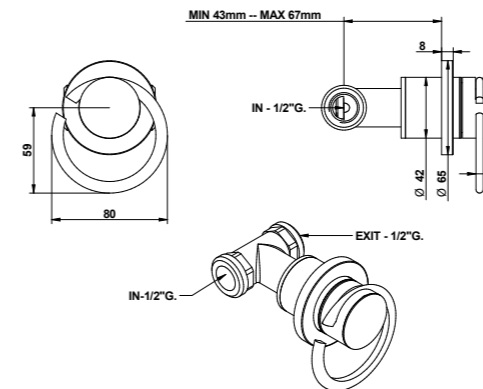
82500WMWMEU
WMWM/RMRM/BIBI/NENE/RSRS/NSNS/RBRB/WMRM/RMWM/WMOR/RMOR/NECR

82500OROREU
OROR/ORCR/OROM/ORHM/BIOP/BIOR/NEOP/NEOR/NECN/PLWM/PLRM/ORWM/ORRM/WMHM/WMCN

82500OPOPEU
OPOP/OPOR/NMNM/HMNM/HMOR/CNNE/NMNE/NMCR/HMCR/HMWM/HMRM/CNCR/FAFA/TTTT/CNWM/FARM/FAWM/TTRM

82500XXXXEU *
XXXX

* XX: Per tutte le altre finiture fattibili riferirsi a questa fascia di prezzo. / Refer to this line of price for all other realizable finishes.



PROLUNGA / MIXER EXTENSION

82083

RICAMBI / SPARE PARTS

9792 *

9792 □

* Calda / Hot
□ Fredda / Cold

ACCESSORI E RICAMBI / ACCESSORIES AND SPARE PARTS



82534/D

Miscelatore vasca da pavimento con set doccia. Floor mounted bath mixer with shower set.

Dettaglio flessibili / Flexible details pag. 42



ARTICOLO COMPLETO / COMPLETE ITEM

82534CRCR0D
CRCR

PARTE INCASSO BUILT-IN PART	PARTE ESTERNA DA ABBINARE EXTERNAL MATCHING PART
--------------------------------	---

FINITURE / FINISHES

09744

82534CRCR0DEU
CRCR

82534CRWM0DEU
CRWM/CRRM/CRRS/
CRNE/CRBI/CROR

82534CRNM0DEU
CRNM/CRCM/CRIM/
CRHM/CROM/CRAM/
CRBM

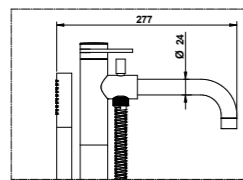
82534WMWM0DEU *
WMWM/RMRM/BIBI/
NENE/RSRS/NSNS/
RBRB/WMRM/RMWM/
WMOR/RMOR/NECR

82534OROR0DEU *
OROR/ORCR/OROM/
ORHM/BIOP/BIOR/
NEOP/NEOR/NECN/
PLWM/PLRM/ORWM/
ORRM/WMHM/WMCN

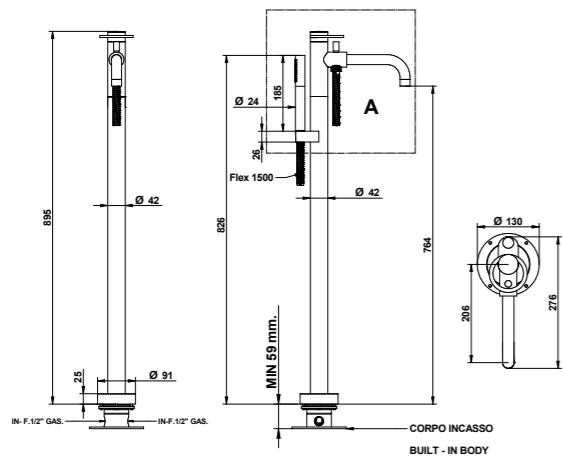
82534OPOP0DEU *
OPOP/OPOR/NMNM/
HMHM/HMOR/CNNE/
NMNE/NMCR/HMCR/
HMWM/HMRM/CNCR/
FAFA/TTTT/CNWM/
FARM/FAWM/TTRM

82534XXX0DEU □
XXXX

* Nelle varianti colore verniciate e satinare alcuni particolari saranno in finitura galvanica per garantire gli standard qualitativi. / To assure our quality standard on colored and satin product, some details remain in galvanic finishes.
□ XX: Per tutte le altre finiture fattibili riferirsi a questa fascia di prezzo. / Refer to this line of price for all other realizable finishes.



DETTAGLIO A



RICAMBI / SPARE PARTS

	9855		9939CR
	9600CR		00850CR0E
	00116CR		00850XX00 *
	9600XXPV □		

* Ricambio per finiture diverse dal cromo. / Spare part for different finishes.
□ Per le finiture verniciate e satinare il flessibile verrà fornito in PVC nero. / The flexible hose will be supplied in black PVC for painted and matt finishes.

FINITURE E COLORI / FINISHES AND COLOURS



82526/D

Miscelatore vasca esterno con set doccia. External bath mixer with shower set.

Dettaglio flessibili / Flexible details pag. 42



ARTICOLO COMPLETO / COMPLETE ITEM

82526CRCR0D
CRCR

82526CRWM0D
CRWM/CRRM/CRRS/CRNE/CRBI/CROR

82526CRNM0D
CRNM/CRCM/CRIM/CRHM/CROM/CRAM/CRBM

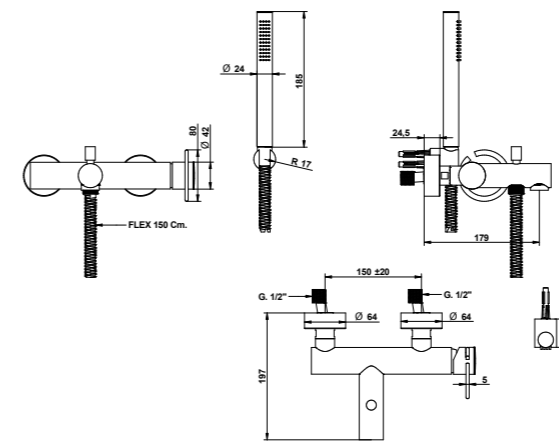
82526WMWM0D *
WMWM/RMRM/BIBI/NENE/RSRS/NSNS/RBRB/WMRM/
RMWM/WMOR/RMOR/NECR

82526OROR0D *
OROR/ORCR/OROM/ORHM/BIOP/BIOR/NEOP/NEOR/
NECN/PLWM/PLRM/ORWM/ORRM/WMHM/WMCN

82526OPOP0D *
OPOP/OPOR/NMNM/HMHM/HMOR/CNNE/NMNE/NMCR/
HMCR/HMWM/HMRM/CNCR/FAFA/TTTT/CNWM/FARM/
FAWM/TTRM

82526XXX0D □
XXXX

* Nelle varianti colore verniciate e satinare alcuni particolari saranno in finitura galvanica per garantire gli standard qualitativi. / To assure our quality standard on colored and satin product, some details remain in galvanic finishes.
□ XX: Per tutte le altre finiture fattibili riferirsi a questa fascia di prezzo. / Refer to this line of price for all other realizable finishes.



RICAMBI / SPARE PARTS

	9871		9997CR
	9600CR		00850CR0E
	00136CR		00850XX00 *
	9600XXPV □		

* Ricambio per finiture diverse dal cromo. / Spare part for different finishes.
□ Per le finiture verniciate e satinare il flessibile verrà fornito in PVC nero. / The flexible hose will be supplied in black PVC for painted and matt finishes.

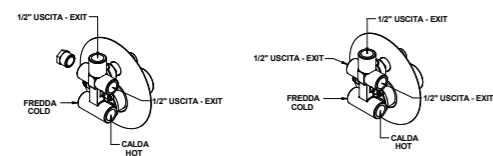
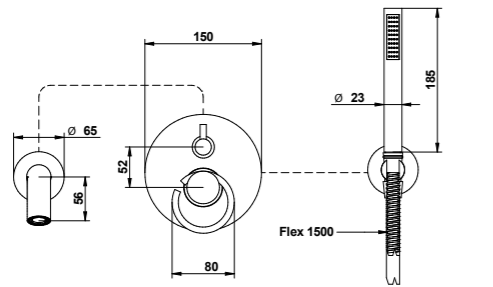
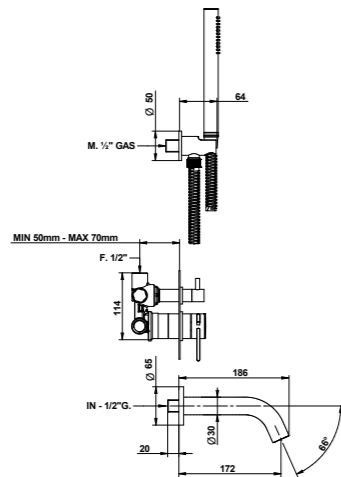
ACCESSORI E RICAMBI / ACCESSORIES AND SPARE PARTS



82530/D

Gruppo vasca incasso con set doccia duplex e deviatore meccanico. Built-in bath and shower mixer with duplex shower set, and mechanical diverter.

Dettaglio flessibili / Flexible details pag. 42



ARTICOLO COMPLETO / COMPLETE ITEM

82530CRCR0D
CRCR

PARTE INCASSO
BUILT-IN PART

PARTE ESTERNA DA ABBINARE
EXTERNAL MATCHING PART

FINITURE / FINISHES

09653

82530CRCR0DEU
CRCR

82530CRWM0DEU
CRWM/CRRM/CRRS/CRNE/CRBI/CROR

82530CRNM0DEU
CRNM/CRCM/CRIM/CRHM/CROM/CRAM/CRBM

82530WMWM0DEU
WMWM/RMRM/BIBI/NENE/RSRS/NSNS/RBRB/WMRM/RMWM/RMOR/RMOR/NECR

82530OROR0DEU
OROR/ORCR/OROM/ORHM/BIOP/BIOR/NEOP/NEOR/NECN/PLWM/PLRM/ORWM/ORRM/WMHM/WMCN

82530OPOP0DEU
OPOP/OPOR/NMNM/HMHM/HMOR/CNNE/NMNE/NMCR/HMCR/HMWM/HMRM/CNCR/FAFA/TTTT/CNWM/FARM/FAWM/TTRM

82530XXXX0DEU *
XXXX

* XX: Per tutte le altre finiture fattibili riferirsi a questa fascia di prezzo. / Refer to this line of price for all other realizable finishes.

PROLUNGA / MIXER EXTENSION

82102CRPRP3

OPTIONAL: Scatola incasso per cartongesso / Built-in box for drywall and cavity wall **09702PBOX**

RICAMBI / SPARE PARTS

	9813		9371
	9600CR		9861
	00850XX00 *		9600XXPV □
	008500CROE		

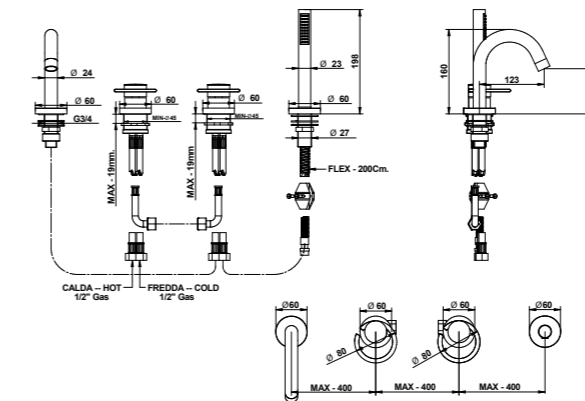
* Ricambio per finiture diverse dal cromo. / Spare part for different finishes.
□ Per le finiture verniciate e satinare il flessibile verrà fornito in PVC nero. / The flexible hose will be supplied in black PVC for painted and matt finishes.

FINITURE E COLORI / FINISHES AND COLOURS



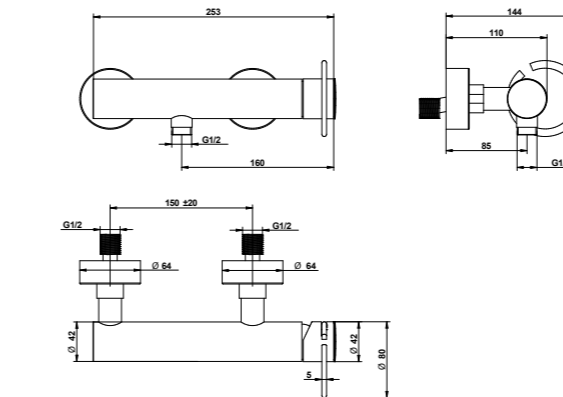
82531/D

Gruppo bordo vasca quattro fori con set doccia. Four holes deck bath and shower mixer.



82523

Miscelatore esterno per doccia External shower mixer



ARTICOLO COMPLETO / COMPLETE ITEM

82531CRCR0D
CRCR

82531CRWM0D
CRWM/CRRM/CRRS/CRNE/CRBI/CROR

82531CRNM0D
CRNM/CRCM/CRIM/CRHM/CROM/CRAM/CRBM

82531WMWM0D
WMWM/RMRM/BIBI/NENE/RSRS/NSNS/RBRB/WMRM/RMWM/RMOR/RMOR/NECR

82531OROR0D
OROR/ORCR/OROM/ORHM/BIOP/BIOR/NEOP/NEOR/NECN/PLWM/PLRM/ORWM/ORRM/WMHM/WMCN

82531OPOP0D
OPOP/OPOR/NMNM/HMHM/HMOR/CNNE/NMNE/NMCR/HMCR/HMWM/HMRM/CNCR/FAFA/TTTT/CNWM/FARM/FAWM/TTRM

82531XXXX0D *
XXXX

* XX: Per tutte le altre finiture fattibili riferirsi a questa fascia di prezzo. / Refer to this line of price for all other realizable finishes.

RICAMBI / SPARE PARTS

	9813		9939CR
	9606CR		00850CROE
	9821		00850XX00 *

* Ricambio per finiture diverse dal cromo. / Spare part for different finishes.

ARTICOLO COMPLETO / COMPLETE ITEM

82523CRCR
CRCR

82523CRWM
CRWM/CRRM/CRRS/CRNE/CRBI/CROR

82523CRNM
CRNM/CRCM/CRIM/CRHM/CROM/CRAM/CRBM

82523WMWM
WMWM/RMRM/BIBI/NENE/RSRS/NSNS/RBRB/WMRM/RMWM/RMOR/RMOR/NECR

82523OROR
OROR/ORCR/OROM/ORHM/BIOP/BIOR/NEOP/NEOR/NECN/PLWM/PLRM/ORWM/ORRM/WMHM/WMCN

82523OPOP
OPOP/OPOR/NMNM/HMHM/HMOR/CNNE/NMNE/NMCR/HMCR/HMWM/HMRM/CNCR/FAFA/TTTT/CNWM/FARM/FAWM/TTRM

82523XXXX *
XXXX

* XX: Per tutte le altre finiture fattibili riferirsi a questa fascia di prezzo. / Refer to this line of price for all other realizable finishes.

RICAMBI / SPARE PARTS

	9838
--	------

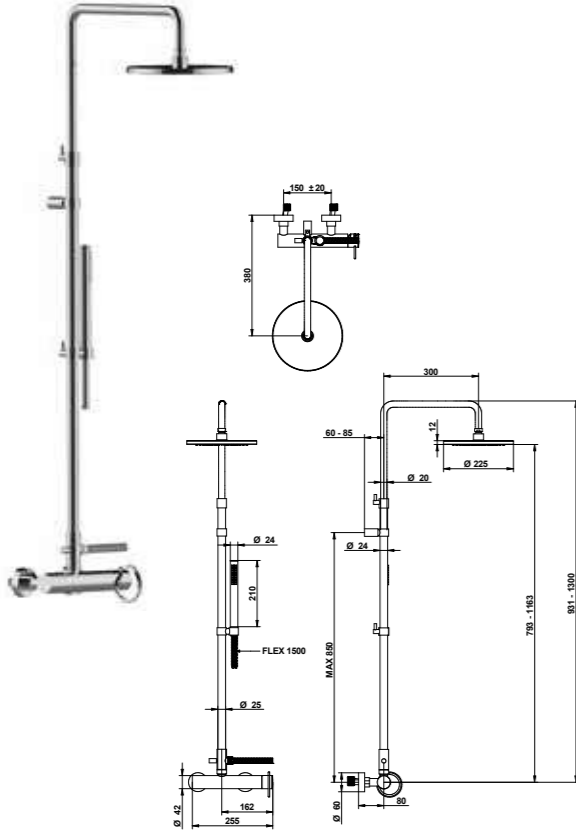
ACCESSORI E RICAMBI / ACCESSORIES AND SPARE PARTS



82537/ED

Miscelatore esterno doccia con tubo doccia, deviatore, soffione e set doccia.
External shower mixer with tube, diverter, shower head and handshower set.

Dettaglio flessibili / Flexible details pag. 42

**ARTICOLO COMPLETO / COMPLETE ITEM**

82537CR0RED
CRCR

82537CRWMED
CRWM/CRRM/CRRS/CRNE/CRBI/CROR

82537CRNMED
CRNM/CRCM/CRIM/CRHM/CROM/CRAM/CRBM

82537WMMED *
WMMW/RMRM/BIBI/NENE/RSRS/NSNS/RBRB/WMRM/
RMWM/WMOR/RMOR/NECR

82537ORORED *
OROR/ORCR/OROM/ORHM/BIOP/BIOR/NEOP/NEOR/
NECN/PLWM/PLRM/ORWM/ORRM/WMHM/WMCN

82537OPOPED *
OPOP/OPOR/NMNM/HMHM/HMOR/CNNE/NMNE/NMCR/
HMCR/HMWM/HMRM/CNCR/FAFA/TTTT/CNWM/FARM/
FAWM/TTRM

82537XXXED □
XXXX

* Nelle varianti colore verniciate e satinare alcuni particolari saranno in finitura galvanica per garantire gli standard qualitativi. / Nelle varianti colore verniciate e satinare alcuni particolari saranno in finitura galvanica per garantire gli standard qualitativi.

* Nelle varianti colore verniciate e satinare alcuni particolari saranno in finitura galvanica per garantire gli standard qualitativi. / To assure our quality standard on colored and satin product, some details remain in galvanic finishes.

□ XX: Per tutte le altre finiture fattibili riferirsi a questa fascia di prezzo. / Refer to this line of price for all other realizable finishes.

RICAMBI / SPARE PARTS

	9838		9600CR
	00850CR0E		880CR00
	00121CR		9600XXPV *
	00850XX00 □		880XX00 □

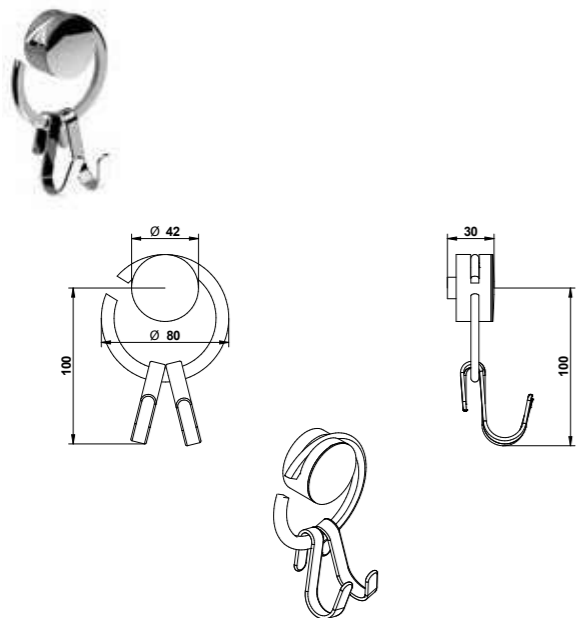
* Per le finiture verniciate e satinare il flessibile verrà fornito in PVC nero. / The flexible hose will be supplied in black PVC for painted and matt finishes.

□ Ricambio per finiture diverse dal cromo. / Spare part for different finishes.

82001

Porta abito.

Robe hook.

**ARTICOLO COMPLETO / COMPLETE ITEM**

82001CR0R
CRCR

82001CRWM
CRWM/CRRM/CRRS/CRNE/CRBI/CROR

82001CRNM
CRNM/CRCM/CRIM/CRHM/CROM/CRAM/CRBM

82001WMM
WMMW/RMRM/BIBI/NENE/RSRS/NSNS/RBRB/WMRM/
RMWM/WMOR/RMOR/NECR

82001OROR *
OROR/ORCR/OROM/ORHM/BIOP/BIOR/NEOP/NEOR/
NECN/PLWM/PLRM/ORWM/ORRM/WMHM/WMCN

82001OPOP *
OPOP/OPOR/NMNM/HMHM/HMOR/CNNE/NMNE/NMCR/
HMCR/HMWM/HMRM/CNCR/FAFA/TTTT/CNWM/FARM/
FAWM/TTRM

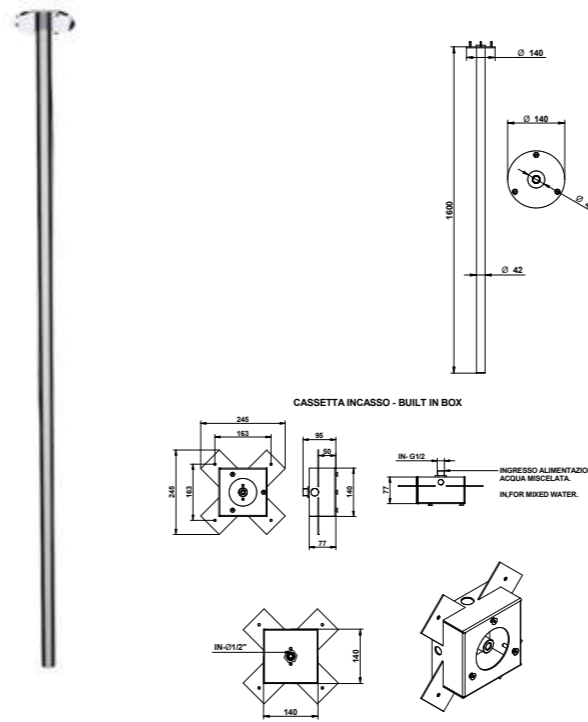
82001XXX *
XXXX

* XX: Per tutte le altre finiture fattibili riferirsi a questa fascia di prezzo. / Refer to this line of price for all other realizable finishes.

FINITURE E COLORI / FINISHES AND COLOURS**977/00**

Bocca a soffitto da abbinare al miscelatore incasso.

Ceiling spout to match with a built-in mixer.

**ARTICOLO COMPLETO / COMPLETE ITEM**

00977CR00
CR

PARTE INCASSO
BUILT-IN PART

PARTE ESTERNA DA ABBINARE
EXTERNAL MATCHING PART

9745

FINITURE / FINISHES

00977CR00EU
CR

00977NS00EU
NS/NE/BI

00977WM00EU
WM/RM/RS/
RB

00977IM00EU
IM/CM

Non disponibile in altre finiture. / Not available in other finishes.

ABBINABILE A / TO MATCH WITH:
Miscelatore / Mixer - **82524CR0R**

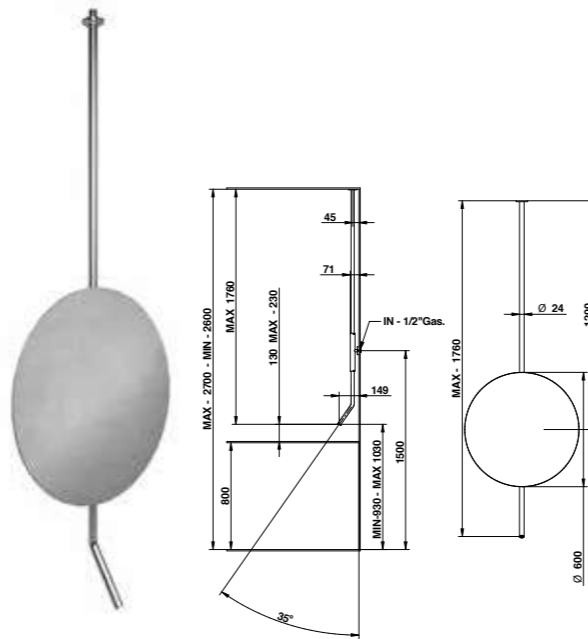
RICAMBI / SPARE PARTS

	9983
--	-------------

877+38030/R NEW

Bocca + specchio tondo Ø 600 mm.

Spout + round mirror Ø 600 mms.

**ARTICOLO COMPLETO / COMPLETE ITEM**

38030000R

00877CR00
CR

00877NS00
NS/RB/NE/BI/ON

00877OR00
OR/BM

00877AM00
AM/NM/HM/CN

00877FA00
FA/TT

Non disponibile nella finitura BU / Not available BU

Da vendersi unitamente allo specchio 38030/R. / To sell only with 38030/R.

SPECCHIO / MIRROR

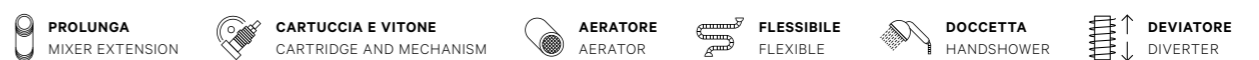
ARTICOLO COMPLETO / COMPLETE ITEM

38030000R

ABBINABILE A / TO MATCH WITH:
Miscelatore / Mixer - **82524CR0R**

RICAMBI / SPARE PARTS

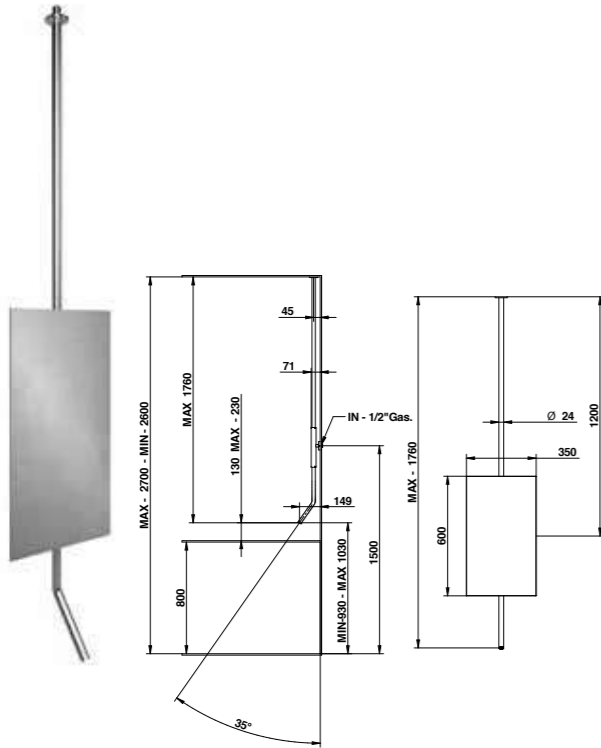
	9390
--	-------------

ACCESSORI E RICAMBI / ACCESSORIES AND SPARE PARTS

877+38030/Q NEW

Bocca + specchio rettangolare
600x350 mm.

Spout + rectangular mirror Ø 600x350
mms.



ARTICOLO COMPLETO / COMPLETE ITEM

38030000Q

00877CR00

CR

00877NS00

NS/RB/NE/BI/ON

00877OR00

OR/BM

00877AM00

AM/NM/HM/CN

00877FA00

FA/TT

Non disponibile nella finitura BU / Not available BU

Da vendersi unitamente allo specchio 38030/Q. / To sell only with 38030/Q.

SPECCHIO / MIRROR

ARTICOLO COMPLETO / COMPLETE ITEM

38030000Q

€ 420,00

ABBINABILE A / TO MATCH WITH:
Miscelatore / Mixer - **82524CRCR**

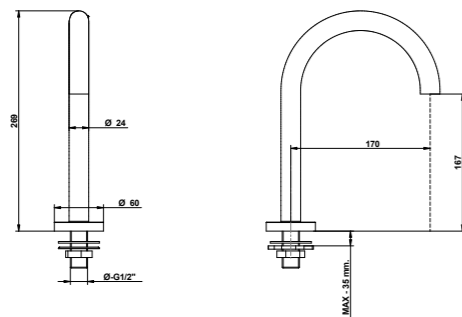
RICAMBI / SPARE PARTS

9390

1018

Bocca lavabo.

Basin spout.



ARTICOLO COMPLETO / COMPLETE ITEM

1018CR00

CR

1018WM00

WM/RM/NE/BI/RS/RB/NS/ON/
BU

1018OR00

OR/OP/PL

1018HM00

HM/NM/CN/FA/TT

1018XX00 *

XX

* XX: Per tutte le altre finiture fattibili riferirsi a questa fascia di prezzo. / Refer to this line of price for all other realizable finishes.

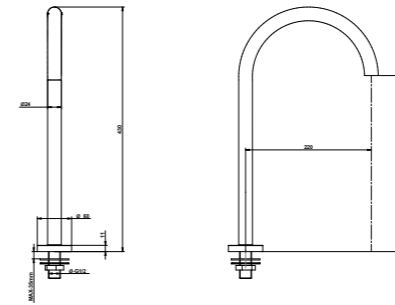
RICAMBI / SPARE PARTS

9379

1018/OH

Bocca lavabo alta

High basin spout.



ARTICOLO COMPLETO / COMPLETE ITEM

1018CR0H

CR

1018WM0H

WM/RM/NE/BI/RS/RB/NS/ON/
BU

1018OR0H

OR/OP/PL

1018HM0H

HM/NM/CN/FA/TT

1018XX0H *

XX

* XX: Per tutte le altre finiture fattibili riferirsi a questa fascia di prezzo. / Refer to this line of price for all other realizable finishes.

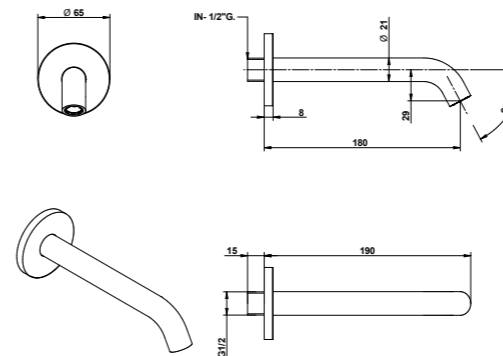
RICAMBI / SPARE PARTS

9379

1017/19 NEW

Bocca incasso 190mm.

190mms built-in spout.



ARTICOLO COMPLETO / COMPLETE ITEM

1017CR19

CR

1017WM19

WM/RM/NE/BI/RS/RB/NS/ON/
BU

1017OR19

OR/OP/PL

1017HM19

HM/NM/CN/FA/TT

1017XX19 *

XX

* XX: Per tutte le altre finiture fattibili riferirsi a questa fascia di prezzo. / Refer to this line of price for all other realizable finishes.

RICAMBI / SPARE PARTS

9390

FINITURE E COLORI / FINISHES AND COLOURS



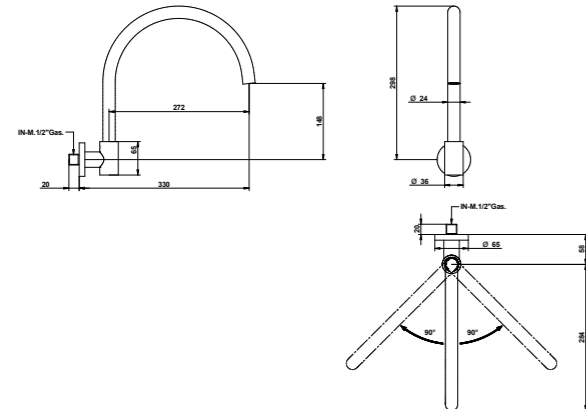
ACCESSORI E RICAMBI / ACCESSORIES AND SPARE PARTS



01019

Bocca a parete girevole

Wall swivel spout



ARTICOLO COMPLETO / COMPLETE ITEM

01019CR00
CR

01019WM00
WM/RM/NE/BI/RS/RB/NS/ON/
BU

01019OR00
OR/OP/PL

01019HM00
HM/NM/CN/FA/TT

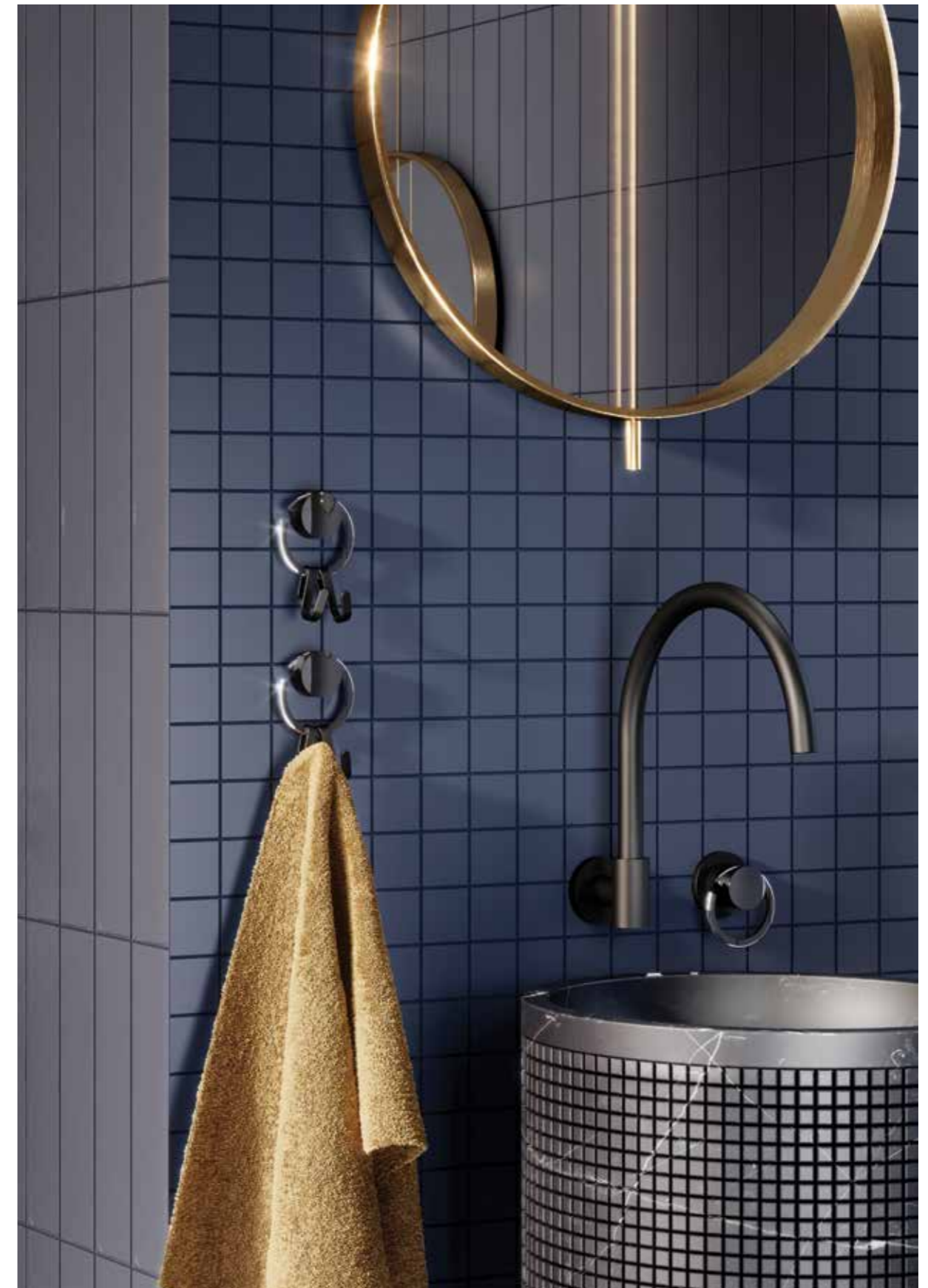
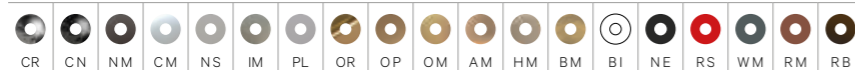
01019XX00 *
XX

* XX: Per tutte le altre finiture fattibili riferirsi a questa fascia di prezzo. / Refer to this line of price for all other realizable finishes.

RICAMBI / SPARE PARTS

 **9379**

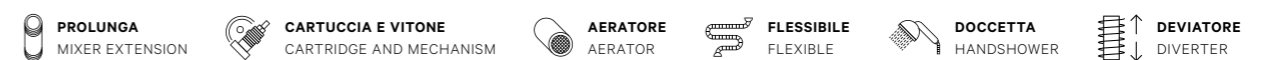
FINITURE E COLORI / FINISHES AND COLOURS



LAVABO / WASHBASIN
Art. 82570NECR

ACCESSORI / ACCESSORIES
Art. 82001NECR

ACCESSORI E RICAMBI / ACCESSORIES AND SPARE PARTS



BOWLING

DESIGN BY FEDERICO ROSSI

#SOPHISTICATEDMOOD



1

DESIGN iNNOVATION



SOFISTICATO E INFORMALE

Sophisticated and informal

I contrasti cromatici delle superfici esaltano il carattere vivace e ricercato di BOWLING. Le linee essenziali e le eleganti finiture in cromo nero e oro rosa si inseriscono perfettamente in progetti d'arredo dal fascino sofisticato e dall'appeal contemporaneo.

The contrasting colours of the surfaces enhance BOWLING's vibrant and exclusive character. The essential lines and elegant finishes in black chrome and rose gold fit perfectly in interior design projects with a sophisticated charm and contemporary appeal.



2

#FIRSTCLASSELEGANCE

1. Art. 38541CNAM
2. Art. SW880NENE





LAVABO / WASHBASIN
Art. 38541CNAM

DOCCIA / SHOWER
Art. 38500CNAM
Art. 38525CNAM
Art. 00830CNB1
Art. SW880NENE

VASCA / BATHTUB
Art. 38541CNAM

ARREDI / FURNITURE
Art. 38030/R + 00877CN00



CN+NE



BM+BM



OR+OP



IM+IM



BI+BI



BU+RB



NS+RS



HM+HM



NI+CR



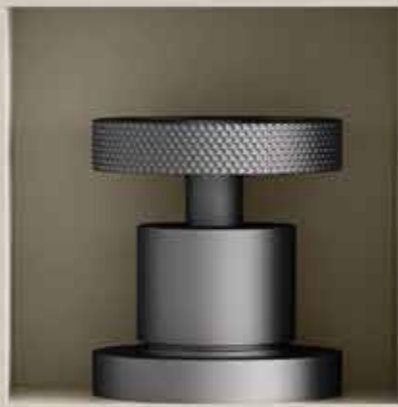
NE+BI



CR+HM



CM+CM



NM+NM



HM+OR



NM+AM



AM+AM



OM+OM

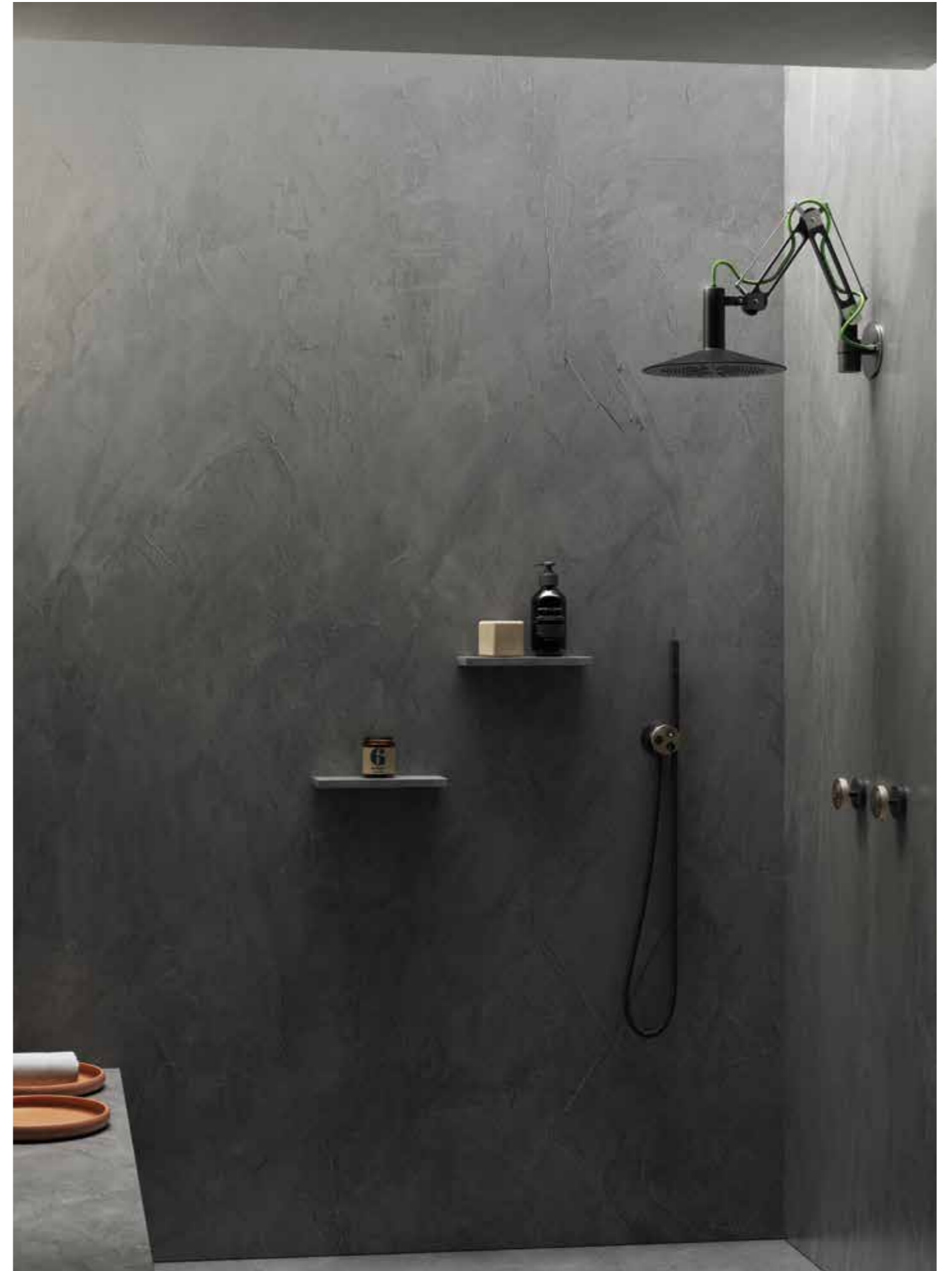


BM+BM



IM+IM

#BONGIOFINISHES



DOCCIA / SHOWER
 2x Art. 38500NENS
 Art. 38915NENS
 Set doccia con miscelatore integrato
 Handshower set with integrated mixer
 Art. SW880NEME





LAVABO / WASHBASIN
Art. 38540NERS

SIFONE / SIPHONS
Art. 00067NE00

DOCCIA / SHOWER
Art. 889RSR1

VASCA / BATHTUBE
Art. 38541NERS

SET WC / WC SET
Art. 44033NE00
Art. 38916NERS

ACCESSORI / ACCESSORIES
Art. 43007NE60DA
Art. 430001NEDA



INFORMAZIONI TECNICHE

Technical details



CARTUCCIA: La serie Bowling è dotata di diverse tipologie di cartucce: cartuccia ø 25 mm, cartuccia ø 35 mm senza distributore.

VITONI: La serie Bowling è dotata di vitoni a dischi ceramici da 1/4 giro.

La temperatura d'impianto non deve superare i 70°C. La pressione di esercizio dell'impianto consigliata è di 3 bar.

EROGAZIONE: La serie Bowling ha un tipo di erogazione morbida. **I lavabi e i bidet sono forniti con limitatore di portata da 6l/m.**

SISTEMI DI DEVIAZIONE: I deviatori Bongio sono testati per funzionare da un minimo di 0,5 bar pressione.

INSTALLAZIONE: Tutti gli articoli ad incasso Bongio completi sono forniti di relative parti da incassare.

Gli articoli doccia e vasca esterni hanno un interasse di 15±20 mm.

Per gli articoli lavabo e bidet, monoforo e tre fori, da installarsi su piano devono essere realizzati fori di ø 35 mm. massimo.

NOTA FINITURE FA / TT

I prodotti nelle finiture Ferro Antico (FA) e Terra di Toscana (TT) vengono realizzati con trattamenti manuali e, data la particolare lavorazione artigianale, possono presentare una colorazione non uniforme.

CARTRIDGE: Bowling series uses different kind of cartridges: ø 25 mms, ø 35mms without distributor.

MECHANISM: Bowling series has 1/4' turn ceramic disc mechanism .

The temperature of the plant should not exceed 70 degrees. The suggested working pressure of the plant has to be 3 bar.

SUPPLY: Bowling series has a soft supply. **Basin and bidet mixers have a standard limitation of flow to 6l/m.**

DIVERTING SYSTEMS: Bongio diverters have been tested to work properly starting from a minimum 0,5 bar pressure

INSTALLATION: all the built-in Bongio items are available with universal raw built-in body.

All the external shower and bath mixers have the 15±20 mms. interaxe.

For the basin and bidet mixers - single or three holes - to be place on top deck, they require ø 35 mms maximum holes.

FINISHES NOTE FA / TT

Products in Ferro Antico (FA) and Terra di Toscana (TT) finish are made with manual treatments and may therefore display colour variations due to the particular craftsmanship.

FINITURE E COLORI / FINISHES AND COLOURS

DETTAGLI / MORE INFO PAG. 38



CR
Cromo
Chrome



CN
Cromo Nero
Black Chrome



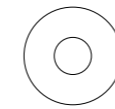
NM
Cromo Nero Satinato
Matt Black Chrome



OR
Oro 24kt
24kt Gold



NS
Nichel Spazzolato
Brushed Nickel



BI
Bianco Opaco
Matt White



NE
Nero Opaco
Matt Black
(RAL 9005)



RS
Rosso
Red
(RAL 3000)



AM
Oro Rosa Satinato
Matt Rose Gold



HM
Oro Francese Satinato
Matt French Gold



BU
Ottone Burattato
Hammered Brass



RB
Moka Opaco
Matt Moka



BM
Bronzo Opaco
Matt Bronze



ON
Ottone Naturale
Natural Brass



FA
Ferro Antico
Old Iron

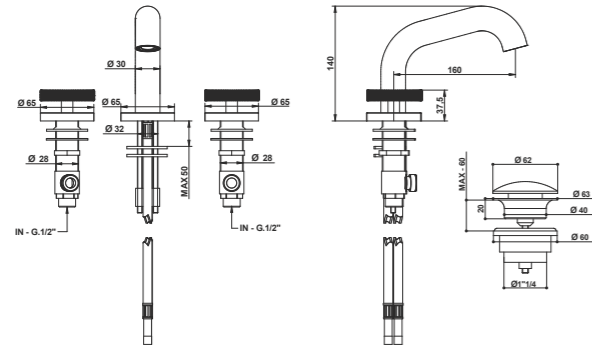


TT
Terra di Toscana
Tuscany Bronze

38501 NEW

Gruppo lavabo tre fori con piletta clic-clac.

Three holes basin mixer with clicclac waste.



ARTICOLO COMPLETO / COMPLETE ITEM

38501CRCR
CRCR

38501CRRS
CRRS

38501NSNS
NSNS

38501NSRS
NSRS/NERS/BUBU/NENE/BIBI/RBRB

38501OROR
OROR/FAFA/FARS/BMBM

38501AMAM
AMAM/NMNM/NMHM/CNAM/CNNE

38501XXXX *
XXXX

* XXXX: Per tutte le altre finiture fattibili riferirsi a questa fascia di prezzo. / Refer to this line of price for all other realizable finishes.

ABBINABILE A / TO MATCH WITH:
Sifone / Siphon - **00067**

RICAMBI / SPARE PARTS

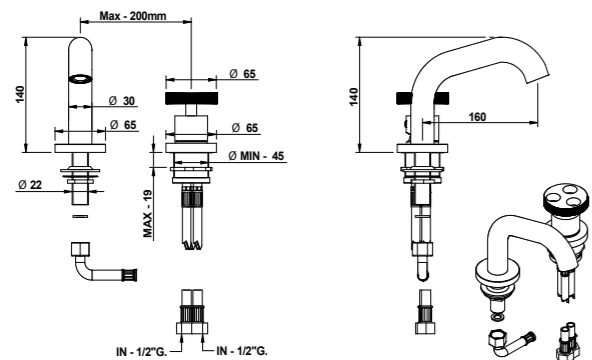
	9900 *		9900 □
	9371		

* Calda / Hot
* Fredda / Cold

38502 NEW

Gruppo lavabo bordo piano due fori con cartuccia tradizionale e piletta clic-clac.

Two hole basin mixer with traditional cartridge and clic-clac waste.



ARTICOLO COMPLETO / COMPLETE ITEM

38502CRCR
CRCR

38502CRRS
CRRS

38502NSNS
NSNS

38502NSRS
NSRS/NERS/BUBU/NENE/BIBI/RBRB

38502OROR
OROR/FAFA/FARS/BMBM

38502AMAM
AMAM/NMNM/NMHM/CNAM/CNNE

38502XXXX *
XXXX

* XXXX: Per tutte le altre finiture fattibili riferirsi a questa fascia di prezzo. / Refer to this line of price for all other realizable finishes.

ABBINABILE A / TO MATCH WITH:
Sifone / Siphon - **00067**

RICAMBI / SPARE PARTS

	9813		9371
--	-------------	--	-------------

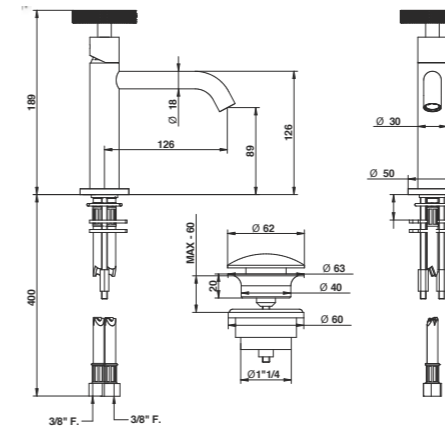
FINITURE E COLORI / FINISHES AND COLOURS



38521 NEW

Miscelatore lavabo con piletta clic-clac.

Basin mixer with clic-clac waste.



ARTICOLO COMPLETO / COMPLETE ITEM

38521CRCR
CRCR

38521CRRS
CRRS

38521NSNS
NSNS/NSRS/NERS/BUBU/NENE/BIBI/RBRB

38521OROR
OROR/FAFA/FARS/BMBM

38521AMAM
AMAM/NMNM/NMHM/CNAM/CNNE

38521XXXX *
XXXX

* XXXX: Per tutte le altre finiture fattibili riferirsi a questa fascia di prezzo. / Refer to this line of price for all other realizable finishes.

ABBINABILE A / TO MATCH WITH:
Sifone / Siphon - **00067**

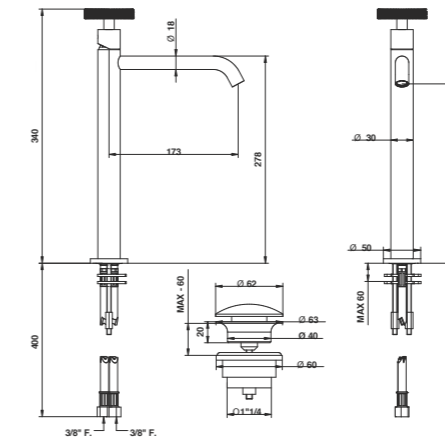
RICAMBI / SPARE PARTS

	9870		9392
--	-------------	--	-------------

38532 NEW

Miscelatore lavabo alto con piletta clic-clac.

High basin mixer with clic-clac waste.



ARTICOLO COMPLETO / COMPLETE ITEM

38532CRCR
CRCR

38532CRRS
CRRS

38532NSNS
NSNS/NSRS/NERS/BUBU/NENE/BIBI/RBRB

38532OROR
OROR/FAFA/FARS/BMBM

38532AMAM
AMAM/NMNM/NMHM/CNAM/CNNE

38532XXXX *
XXXX

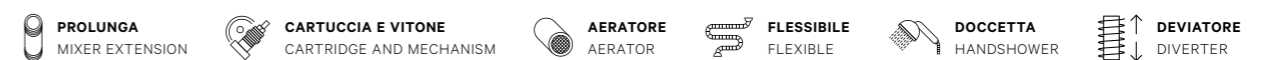
* XXXX: Per tutte le altre finiture fattibili riferirsi a questa fascia di prezzo. / Refer to this line of price for all other realizable finishes.

ABBINABILE A / TO MATCH WITH:
Sifone / Siphon - **00067**

RICAMBI / SPARE PARTS

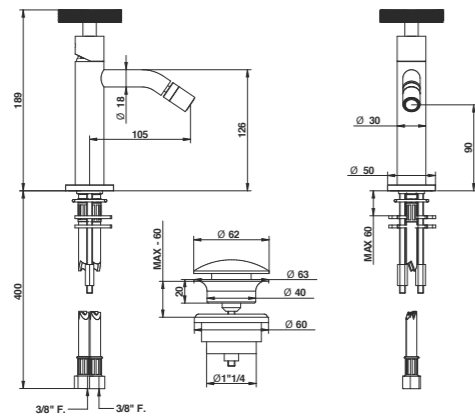
	9870		9392
--	-------------	--	-------------

ACCESSORI E RICAMBI / ACCESSORIES AND SPARE PARTS



38522 NEW

Miscelatore bidet con piletta clic-clac. Bidet mixer with clic-clac waste.



ARTICOLO COMPLETO / COMPLETE ITEM

38522CRCR
CRCR

38522CRRS
CRRS

38522NSNS
NSNS/NSRS/NERS/BUBU/BIBI/NENE/RBRB

38522OROR
OROR/FAFA/FARS/BMBM

38522AMAM
AMAM/NMNM/NMNM/CNAM/CNNE

38522XXXX *
XXXX

* XXXX: Per tutte le altre finiture fattibili riferirsi a questa fascia di prezzo. / Refer to this line of price for all other realizable finishes.

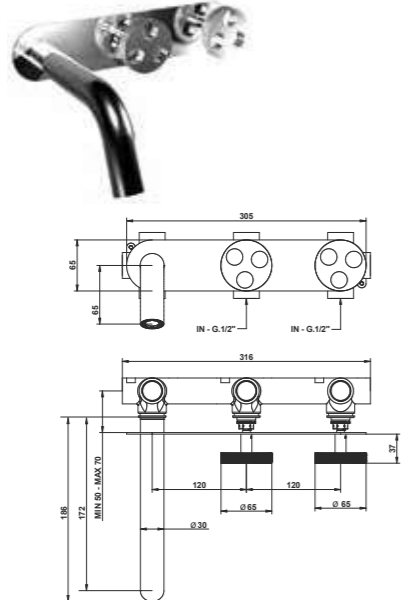
ABBINABILE A / TO MATCH WITH:
Sifone / Siphon - **00066**

RICAMBI / SPARE PARTS

9870	9393
-------------	-------------

38541 NEW

Gruppo lavabo tre fori incasso con piastra verticale o orizzontale. Three holes built-in basin mixer with plate vertical or horizontal.



ARTICOLO COMPLETO / COMPLETE ITEM

38541CRCR
CRCR

38541CRRS
CRRS

PARTE INCASSO
BUILT-IN PART

PARTE ESTERNA DA ABBINARE
EXTERNAL MATCHING PART

FINITURE / FINISHES

09727

38541CRCREU
CRCR

38541CRRSEU
CRRS

38541NSNSEU
NSNS

38541NSRSEU
NSRS/NERS/NENE/BIBI/RBRB

38541OROREU
OROR/FAFA/FARS

38541AMAMEU
AMAM/NMNM/NMNM/CNAM/CNNE

38541XXXXEU *
XXXX

* XXXX: Per tutte le altre finiture fattibili riferirsi a questa fascia di prezzo. / Refer to this line of price for all other realizable finishes.

Non disponibile nelle finiture BM - ON - TT - BU / Not available BM - ON - TT - BU

ABBINABILE A / TO MATCH WITH:
Sifone / Siphon - **00067**
Piletta clic-clac / Clic-clac waste - **00079**

RICAMBI / SPARE PARTS

9900 *	9900 □
9371	

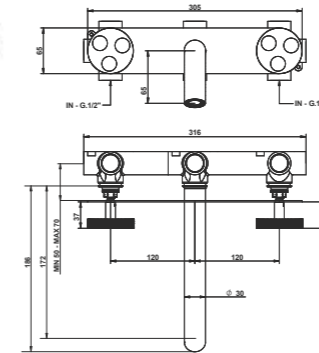
* Calda / Hot
□ Fredda / Cold

FINITURE E COLORI / FINISHES AND COLOURS



38539 NEW

Gruppo lavabo tre fori incasso con piastra e bocca da 190 mm. Three holes built-in basin mixer with plate and 190 mms. spout.



ABBINABILE A / TO MATCH WITH:
Sifone / Siphon - **00067**
Piletta clic-clac / Clic-clac waste - **00079**

PROLUNGA / MIXER EXTENSION

0008300BW 2 pz. per articolo / 2 pcs needed	Cad. / Each
---	-------------

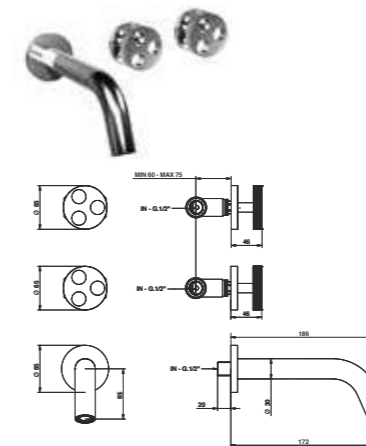
RICAMBI / SPARE PARTS

9900 *	9900 □
9371	

* Calda / Hot
□ Fredda / Cold

38540 NEW

Gruppo lavabo tre fori incasso con bocca da 190 mm. Three holes built-in basin mixer with 190 mms. spout.



PROLUNGA / MIXER EXTENSION

0008300BW 2 pz. per articolo / 2 pz. per articolo	Cad. / Each
---	-------------

RICAMBI / SPARE PARTS

9900 *	9900 □
9371	

* Calda / Hot
□ Fredda / Cold

ACCESSORI E RICAMBI / ACCESSORIES AND SPARE PARTS



ARTICOLO COMPLETO / COMPLETE ITEM

38539CRCR
CRCR

38539CRRS
CRRS

PARTE INCASSO
BUILT-IN PART

PARTE ESTERNA DA ABBINARE
EXTERNAL MATCHING PART

FINITURE / FINISHES

9726

38539CRCREU
CRCR

38539CRRSEU
CRRS

38539NSNSEU
NSNS

38539NSRSEU
NSRS/NERS/NENE/BIBI/RBRB

38539OROREU
OROR/FAFA/FARS

38539AMAMEU
AMAM/NMNM/NMNM/CNAM/CNNE

38539XXXXEU *
XXXX

* XXXX: Per tutte le altre finiture fattibili riferirsi a questa fascia di prezzo. / Refer to this line of price for all other realizable finishes.

Non disponibile nelle finiture BM - ON - TT - BU / Not available BM - ON - TT - BU

ARTICOLO COMPLETO / COMPLETE ITEM

38540CRCR
CRCR

38540CRRS
CRRS

PARTE INCASSO
BUILT-IN PART

PARTE ESTERNA DA ABBINARE
EXTERNAL MATCHING PART

FINITURE / FINISHES

9768/BW

38540CRCREU
CRCR

38540CRRSEU
CRRS

38540NSNSEU
NSNS

38540NSRSEU
NSRS/NERS/BUBU/NENE/BIBI/RBRB

38540OROREU
OROR/FAFA/FARS/BMBM

38540AMAMEU
AMAM/NMNM/NMNM/CNAM/CNNE

38540XXXXEU *
XXXX

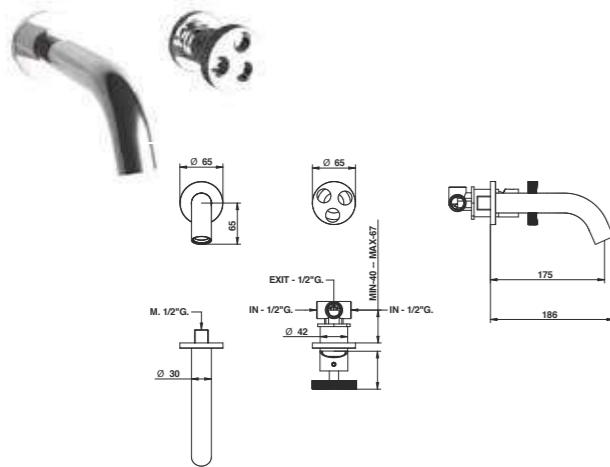
* XXXX: Per tutte le altre finiture fattibili riferirsi a questa fascia di prezzo. / Refer to this line of price for all other realizable finishes.

ABBINABILE A / TO MATCH WITH:
Sifone / Siphon - **00067**
Piletta clic-clac / Clic-clac waste - **00079**

38538 NEW

Miscelatore lavabo incasso con bocca 186 mm e miscelatore tradizionale.

Built-in basin mixer with 186 mms. spout and traditional cartridge.



PROLUNGA / MIXER EXTENSION

00100CRPRR

RICAMBI / SPARE PARTS

9813 **9371**

ARTICOLO COMPLETO / COMPLETE ITEM

38538CRCR
CRCR

38538CRRS
CRRS

PARTE INCASSO BUILT-IN PART **PARTE ESTERNA DA ABBINARE EXTERNAL MATCHING PART**

FINITURE / FINISHES

9761

38538CRCREU
CRCR

38538CRRSEU
CRRS

38538NSNSEU
NSNS

38538NSRSEU
NSRS/NERS/BUBU/NENE/
BIBI/RBRB

38538OROREU
OROR/FAFA/FARS/BMBM

38538AMAMEU
AMAM/NMNM/NMNM/CNAM/
CNNE

38538XXXXEU *
XXXX

* XXXX: Per tutte le altre finiture fattibili riferirsi a questa fascia di prezzo. / Refer to this line of price for all other realizable finishes.

ABBINABILE A / TO MATCH WITH:
Sifone / Siphon - **00067**
Piletta clic-clac / Clic-clac waste - **00079**

BOCCA / SPOUT

ARTICOLO COMPLETO / COMPLETE ITEM

38030000R

00877CROO
CR

00877NS00
NS/RB/NE/BI/ON

00877OR00
OR/BM

00877AM00
AM/NM/HM/CN

00877FA00
FA/TT

Da vendersi unitamente allo specchio / To sell only with 38030/R

SPECCHIO / MIRROR

ARTICOLO COMPLETO / COMPLETE ITEM

38030000R

ABBINABILE A / TO MATCH WITH

38504CRCR
coppia rubinetti acqua calda e acqua fredda da piano / pair of hot and cold water deck taps

38500CRCR
rubinetto acqua calda o acqua fredda / hot or cold water tap ordinare 2 pz. per articolo / 2 pcs needed

38524CRCR
miscelatore incasso / built-in mixer

Non disponibile nella finitura BU / Not available BU

RICAMBI / SPARE PARTS

9390

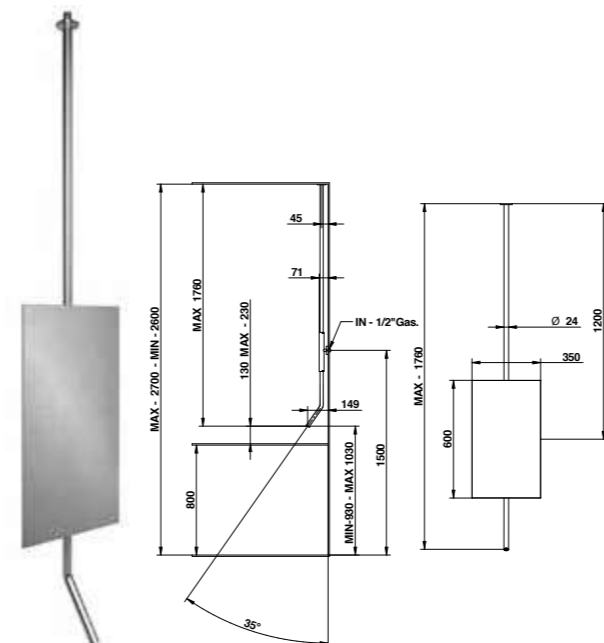
FINITURE E COLORI / FINISHES AND COLOURS



877+38030/Q NEW

Bocca + specchio rettangolare 600x350 mms.

Spout + rectangular mirror Ø 600x350 mms.



Non disponibile nella finitura BU / Not available BU

RICAMBI / SPARE PARTS

9390

38500 NEW

Rubinetto incasso da 1/2".

1/2" built-in tap.



ARTICOLO COMPLETO / COMPLETE ITEM

38030000R

ABBINABILE A / TO MATCH WITH

38504CRCR
coppia rubinetti acqua calda e acqua fredda da piano / pair of hot and cold water deck taps

38500CRCR
rubinetto acqua calda o acqua fredda / hot or cold water tap ordinare 2 pz. per articolo / 2 pcs needed

38524CRCR
miscelatore incasso / built-in mixer

Non disponibile nella finitura BU / Not available BU

RICAMBI / SPARE PARTS

9390

ACCESSORI E RICAMBI / ACCESSORIES AND SPARE PARTS



BOCCA / SPOUT

ARTICOLO COMPLETO / COMPLETE ITEM

38030000Q

00877CROO
CR

00877NS00
NS/RB/NE/BI/ON

00877OR00
OR/BM

00877AM00
AM/NM/HM/CN

00877FA00
FA/TT

Da vendersi unitamente allo specchio / To sell only with 38030/Q

SPECCHIO / MIRROR

ARTICOLO COMPLETO / COMPLETE ITEM

38030000Q

ABBINABILE A / TO MATCH WITH

38504CRCR
coppia rubinetti acqua calda e acqua fredda da piano / pair of hot and cold water deck taps

38500CRCR
rubinetto acqua calda o acqua fredda / hot or cold water tap ordinare 2 pz. per articolo / 2 pcs needed

38524CRCR
miscelatore incasso / built-in mixer

ARTICOLO COMPLETO / COMPLETE ITEM

38500CRCR

38500CRCR
CRCR

PARTE INCASSO BUILT-IN PART **PARTE ESTERNA DA ABBINARE EXTERNAL MATCHING PART**

FINITURE / FINISHES

9778/BW
CALDA / hot

38500CRCREU
CRCR

9778/BW
FREDDA / cold

38500CRRSEU
CRRS

38500NSNSEU
NSNS/NSRS/NERS/BUBU/
NENE/BIBI/RBRB

38500OROREU
OROR/FAFA/FARS/BMBM

38500AMAMEU
AMAM/NMNM/NMNM/CNAM/
CNNE

38500XXXXEU *
XXXX

* XXXX: Per tutte le altre finiture fattibili riferirsi a questa fascia di prezzo. / Refer to this line of price for all other realizable finishes.

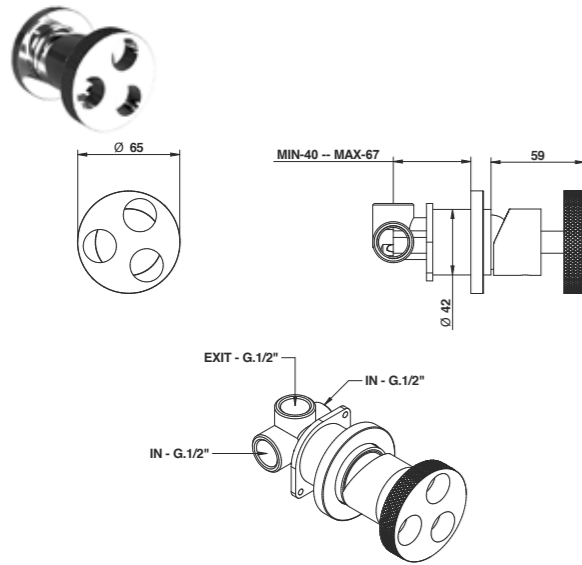
PROLUNGA / MIXER EXTENSION

0008300BW

38524 NEW

Miscelatore doccia incasso tradizionale.

Built-in shower mixer.



RICAMBI / SPARE PARTS



9813

ARTICOLO COMPLETO / COMPLETE ITEM

38524CRCR
CRCR

PARTE INCASSO
BUILT-IN PART

PARTE ESTERNA DA ABBINARE
EXTERNAL MATCHING PART

FINITURE / FINISHES

9761

38524CRCREU
CRCR

38524CRRSEU
CRRS

38524NSNSEU
NSNS

38524NSRSEU
NSRS/NERS/BUBU/NENE/
BIBI/RBRB

38524OROREU
OROR/FAFA/FARS/BMBM

38524AMAMEU
AMAM/NMNM/NMNM/CNAM/
CNNE

38524XXXXEU *
XXXX

* XXXX: Per tutte le altre finiture fattibili riferirsi a questa fascia di prezzo. / Refer to this line of price for all other realizable finishes.

PROLUNGA / MIXER EXTENSION



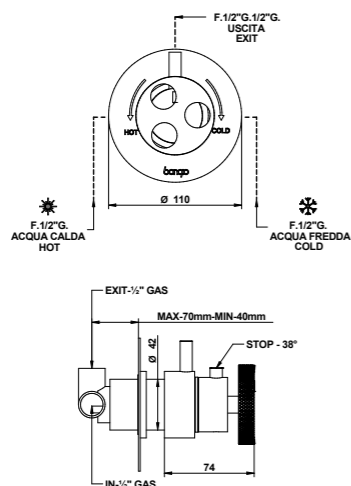
00100CRPRR

OPTIONAL: Scatola incasso per cartongesso / Built-in box for drywall and cavity wall **09702PBOX**

38544

Termostatico coassiale incasso.

Coaxial thermostatic built-in mixer.



ARTICOLO COMPLETO / COMPLETE ITEM

38544CRCR
CRCR

38544CRRS
CRRS

38544NSNS *
NSNS

38544NSRS *
NSRS/NERS/BUBU/NENE/BIBI/RBRB

38544OROR *
OROR/FAFA/FARS/BMBM

38544AMAM *
AMAM/NMNM/NMNM/CNAM/CNNE

38544XXXX *
XXXX

* Nelle varianti colore verniciate e satinare alcuni particolari saranno in finitura galvanica per garantire gli standard qualitativi. / To assure our quality standard on colored and satin product, some details remain in galvanic finishes.

* XXXX: Per tutte le altre finiture fattibili riferirsi a questa fascia di prezzo. / Refer to this line of price for all other realizable finishes.

Portata a pressione dinamica 3 bar - 20,5 l/min - 38° Mix / Flow rates at dynamic pressure 3 bar - 20,5 l/min - 38° Mix

Il corpo incasso non può essere anticipato. / Built-in body cannot be delivered separately in advance.

PROLUNGA / MIXER EXTENSION



00107CRPR

OPTIONAL: Scatola incasso per cartongesso / Built-in box for drywall and cavity wall **09702PBOX**

RICAMBI / SPARE PARTS

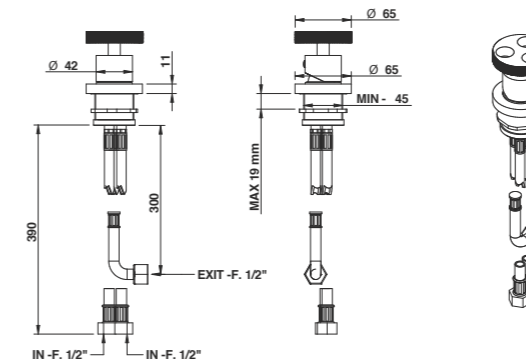


9811

38510

Miscelatore bordo piano con cartuccia tradizionale.

Mixer for deck installation with traditional cartridge.



ARTICOLO COMPLETO / COMPLETE ITEM

38510CRCR
CRCR

38510CRRS
CRRS

38510NSNS
NSNS

38510NSRS
NSRS/NERS/BUBU/BIBI/NENE/RBRB

38510OROR
OROR/FAFA/FARS/BMBM

38510AMAM
AMAM/CNNE/NMNM/NMNM/CNAM

38510XXXX *
XXXX

* XXXX: Per tutte le altre finiture fattibili riferirsi a questa fascia di prezzo. / Refer to this line of price for all other realizable finishes.

RICAMBI / SPARE PARTS

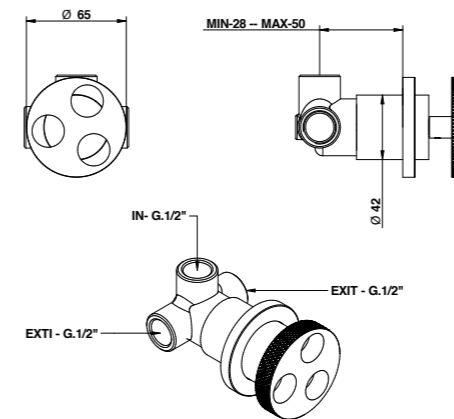


9813

38556 NEW

Deviatore a 2 uscite (1 entrata - 2 uscite).

2 way built-in diverter (1 in - 2 out).



ARTICOLO COMPLETO / COMPLETE ITEM

38556CRCR
CRCR

PARTE INCASSO
BUILT-IN PART

PARTE ESTERNA DA ABBINARE
EXTERNAL MATCHING PART

FINITURE / FINISHES

9491/2

38556CRCREU
CRCR

38556CRRSEU
CRRS

38556NSNSEU
NSNS

38556NSRSEU
NSRS/NERS/BUBU/NENE/
BIBI/RBRB

38556OROREU
OROR/FAFA/FARS/BMBM

38556AMAMEU
AMAM/NMNM/NMNM/CNAM/
CNNE

38556XXXX *
XXXX

* XXXX: Per tutte le altre finiture fattibili riferirsi a questa fascia di prezzo. / Refer to this line of price for all other realizable finishes.

PROLUNGA / MIXER EXTENSION



00109CRPR

RICAMBI / SPARE PARTS



9808/2

FINITURE E COLORI / FINISHES AND COLOURS



ACCESSORI E RICAMBI / ACCESSORIES AND SPARE PARTS



PROLUNGA
MIXER EXTENSION



CARTUCCIA E VITONE
CARTRIDGE AND MECHANISM



AERATORE
AERATOR



FLESSIBILE
FLEXIBLE



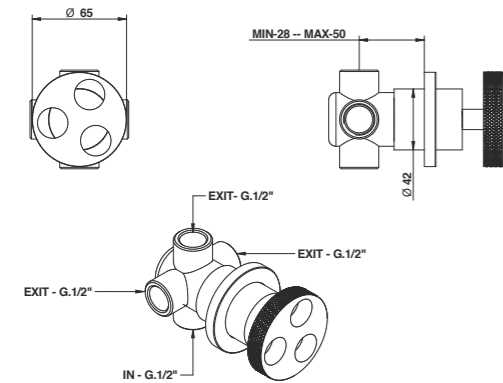
DOCCETTA
HANDSHOWER



DEVIATORE
DIVERTER

38556/3 NEW

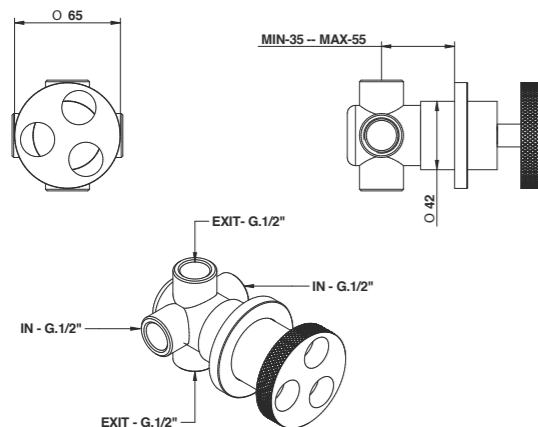
Deviatore a 3 uscite (1 entrata - 3 uscite). / 3 way built-in diverter (1 in - 3 out).
uscite).

**RICAMBI / SPARE PARTS**

9808

38525 NEW

Deviatore incasso a due uscite (2 entrate - 2 uscite). / Built-in diverter (2 in - 2 out).
entrate - 2 uscite).

**RICAMBI / SPARE PARTS**

00112DMBW

FINITURE E COLORI / FINISHES AND COLOURS**ARTICOLO COMPLETO / COMPLETE ITEM**

38556CRCR03
CRCR

PARTE INCASSO
BUILT-IN PART

PARTE ESTERNA DA ABBINARE
EXTERNAL MATCHING PART

9494

FINITURE / FINISHES

38556CRCR03EU
CRCR

38556CRRS03EU
CRRS

38556NSNS03EU
NSNS

38556NSRS03EU
NSRS/NERS/BUBU/NENE/
BIBI/RBRB

38556OROR03EU
OROR/FAFA/FARS/BMBM

38556AMAM03EU
AMAM/NMNM/NMNM/CNAM/
CNNE

38556XXXEU *
XXXX

* XXXX: Per tutte le altre finiture fattibili riferirsi a questa fascia di prezzo. /
Refer to this line of price for all other realizable finishes.

PROLUNGA / MIXER EXTENSION

00109CRPR

ARTICOLO COMPLETO / COMPLETE ITEM

38525CRCR
CRCR

PARTE INCASSO
BUILT-IN PART

PARTE ESTERNA DA ABBINARE
EXTERNAL MATCHING PART

9489/2

FINITURE / FINISHES

38525CRCREU
CRCR

38525CRRSEU
CRRS

38525NSNSEU
NSNS

38525NSRSEU
NSRS/NERS/BUBU/BIBI/
NENE/RBRB

38525OROREU
OROR/FAFA/FARS/BMBM

38525AMAMEU
AMAM/CNNE/NMNM/NMNM/
CNAM

38525XXXEU *
XXXX

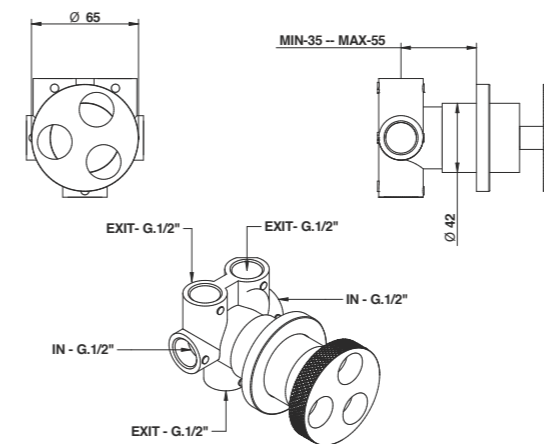
* XXXX: Per tutte le altre finiture fattibili riferirsi a questa fascia di prezzo. /
Refer to this line of price for all other realizable finishes.

PROLUNGA / MIXER EXTENSION

00109CRPR

38525/3 NEW

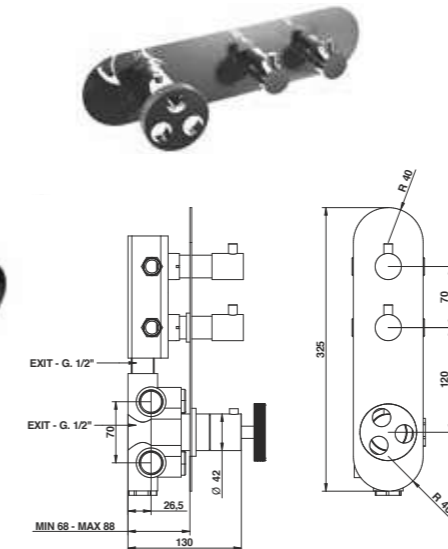
Deviatore incasso a tre uscite (2 entrate - 3 uscite). / 3 way built-in diverter (2 in - 3 out).
entrate - 3 uscite).

**RICAMBI / SPARE PARTS**

00113DMBW

38542/2 NEW

Miscelatore termostatico incasso con 2 rubinetti di apertura/chiusura su piastra unica (2 uscite). / Built-in thermostatic mixer with 2 open/close taps on single plate (2 way).

**RICAMBI / SPARE PARTS**

9845 *

9794 ◊

* Cartuccia miscelatrice / Mixer cartridge
◊ Vitone di apertura-chiusura / Open-close cartridge

ACCESSORI E RICAMBI / ACCESSORIES AND SPARE PARTS**ARTICOLO COMPLETO / COMPLETE ITEM**

38525CRCR03
CRCR

PARTE INCASSO
BUILT-IN PART

PARTE ESTERNA DA ABBINARE
EXTERNAL MATCHING PART

9489/3

FINITURE / FINISHES

38525CRCR03EU
CRCR

38525CRRS03EU
CRRS

38525NSNS03EU
NSNS

38525NSRS03EU
NSRS/NERS/BUBU/NENE/
BIBI/RBRB

38525OROR03EU
OROR/FAFA/FARS/BMBM

38525AMAM03EU
AMAM/NMNM/NMNM/CNAM/
CNNE

38525XXX03EU *
XXXX

* XXXX: Per tutte le altre finiture fattibili riferirsi a questa fascia di prezzo. /
Refer to this line of price for all other realizable finishes.

PROLUNGA / MIXER EXTENSION

00109CRPR

ARTICOLO COMPLETO / COMPLETE ITEM

38542CRCR02
CRCR

PARTE INCASSO
BUILT-IN PART

PARTE ESTERNA DA ABBINARE
EXTERNAL MATCHING PART

09730/2

FINITURE / FINISHES

38542CRCR02EU
CRCR

38542NSNS02EU *
NSNS/BIBI/NENE/RBRB

38542OROR02EU *
OROR/FAFA/CNEN

38542AMAM02EU *
AMAM/NMNM/HMNM

38542XXX02EU ◊
XXXX

* Nelle varianti colore verniciate e satinare alcuni particolari saranno in
finitura galvanica per garantire gli standard qualitativi. / To assure our
quality standard on colored and satin product, some details remain in
galvanic finishes.

◊ XXXX: Per tutte le altre finiture fattibili riferirsi a questa fascia di prezzo. /
Refer to this line of price for all other realizable finishes.

Portata a pressione dinamica: 3 bar - 23 l/min. / Flow rates at dynamic
pressure: 3 bar - 23 l/min.

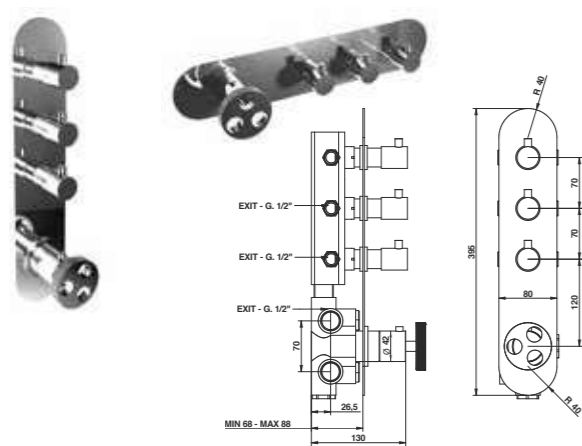
Non disponibile nelle finiture BM - ON - TT - BU / Not available BM - ON -

PROLUNGA / MIXER EXTENSION

00112CRPRO2

38542/3 NEW

Miscelatore termostatico incasso con 3 rubinetti di apertura/chiusura su piastra unica (3 uscite). Built-in thermostatic mixer with 3 open/close taps on single plate (3 way).



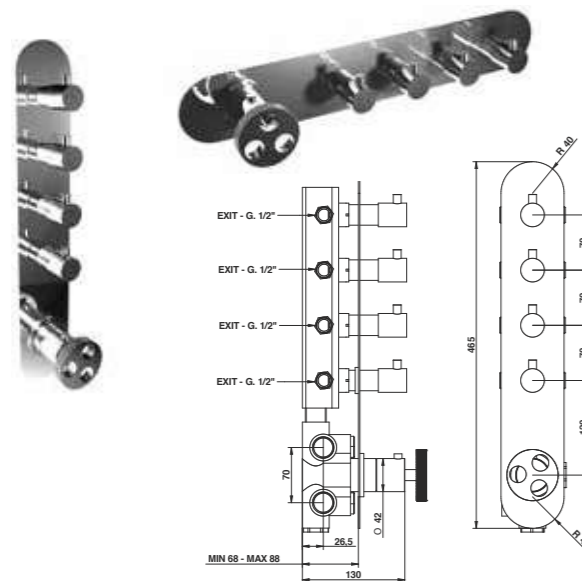
RICAMBI / SPARE PARTS

	9845 *		9794 ◻
--	--------	--	--------

* Cartuccia miscelatrice / Mixer cartridge
◻ Vitone di apertura-chiusura / Open-close cartridge

38542/4 NEW

Miscelatore termostatico incasso con 4 rubinetti di apertura/chiusura su piastra unica (4 uscite). Built-in thermostatic mixer with 4 open/close taps on single plate (4 way).



RICAMBI / SPARE PARTS

	9845 *		9794 ◻
--	--------	--	--------

* Cartuccia miscelatrice / Mixer cartridge
◻ Vitone di apertura-chiusura / Open-close cartridge

FINITURE E COLORI / FINISHES AND COLOURS



ARTICOLO COMPLETO / COMPLETE ITEM

38542CRCR03
CRCR

PARTE INCASSO BUILT-IN PART	PARTE ESTERNA DA ABBINARE EXTERNAL MATCHING PART
--------------------------------	---

FINITURE / FINISHES

09730/3

38542CRCR03EU
CRCR

38542NSNS03EU *
NSNS/NENE/BIBI/RBRB

38542OROR03EU *
OROR/FAFA/CNCN

38542AMAM03EU *
AMAM/NMNM/HMNM

38542XXXX03EU ◻
XXXX

* Nelle varianti colore verniciate e satinare alcuni particolari saranno in finitura galvanica per garantire gli standard qualitativi. / To assure our quality standard on colored and satin product, some details remain in galvanic finishes.
◻ XXXX: Per tutte le altre finiture fattibili riferirsi a questa fascia di prezzo. / Refer to this line of price for all other realizable finishes.

Portata a pressione dinamica: 3 bar - 23 l/min. / Flow rates at dynamic pressure: 3 bar - 23 l/min.

Non disponibile nelle finiture BM - ON - TT - BU / Not available BM - ON - TT - BU

PROLUNGA / MIXER EXTENSION

00112CRPR03

ARTICOLO COMPLETO / COMPLETE ITEM

38542CRCR04
CRCR

PARTE INCASSO BUILT-IN PART	PARTE ESTERNA DA ABBINARE EXTERNAL MATCHING PART
--------------------------------	---

FINITURE / FINISHES

09730/4

38542CRCR04EU
CRCR

38542NSNS04EU *
NSNS/BIBI/NENE/RBRB

38542OROR04EU *
OROR/FAFA/CNCN

38542AMAM04EU *
AMAM/NMNM/HMNM

38542XXXX04EU ◻
XXXX

* Nelle varianti colore verniciate e satinare alcuni particolari saranno in finitura galvanica per garantire gli standard qualitativi. / To assure our quality standard on colored and satin product, some details remain in galvanic finishes.
◻ XXXX: Per tutte le altre finiture fattibili riferirsi a questa fascia di prezzo. / Refer to this line of price for all other realizable finishes.

Portata a pressione dinamica: 3 bar - 23 l/min. / Flow rates at dynamic pressure: 3 bar - 23 l/min.

Non disponibile nelle finiture BM - ON - TT - BU / Not available BM - ON - TT - BU

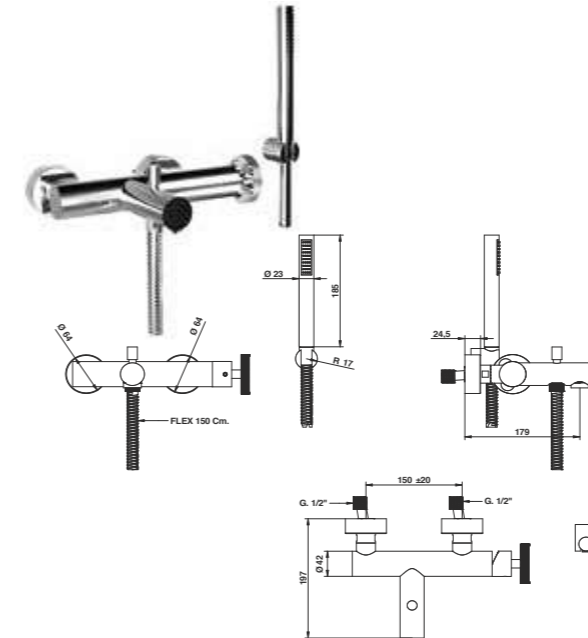
PROLUNGA / MIXER EXTENSION

00112CRPR04

38526/D NEW

Miscelatore vasca esterno completo di set doccia. External bath and shower mixer with duplex shower set.

Dettaglio flessibili / Flexible details pag. 42



ARTICOLO COMPLETO / COMPLETE ITEM

38526CRCR0D
CRCR

38526CRRS0D
CRRS

38526NSNS0D
NSNS

38526NSRS0D *
NSRS/NERS/BUBU/NENE/BIBI/RBRB

38526FAFA0D *
FAFA/OROR/FARS/BMBM

38526AMAM0D *
AMAM/CNNE/NMNM/HMNM/CNAM

38526XXXX0D ◻
XXXX

* Nelle varianti colore verniciate e satinare alcuni particolari saranno in finitura galvanica per garantire gli standard qualitativi. / To assure our quality standard on colored and satin product, some details remain in galvanic finishes.
◻ XXXX: Per tutte le altre finiture fattibili riferirsi a questa fascia di prezzo. / Refer to this line of price for all other realizable finishes.

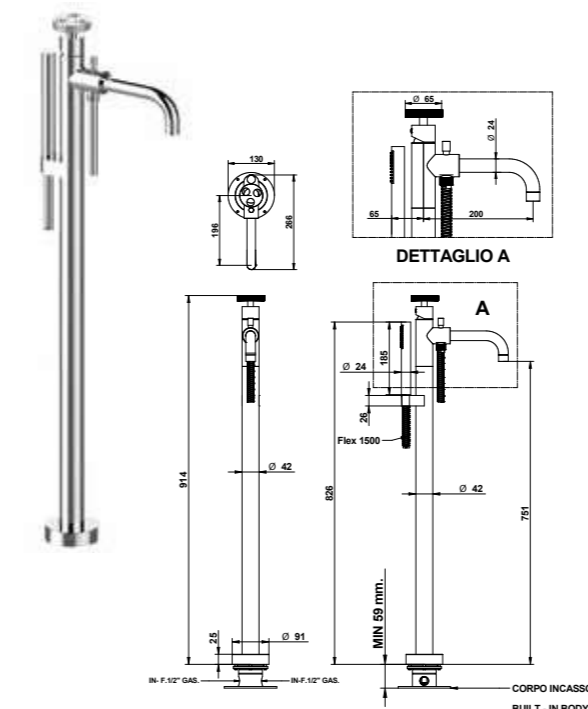
RICAMBI / SPARE PARTS

	9871		9997CR
	9600CR		00850CROE
	00136CR		00850XX00 *
	9600XPV ◻		

* Ricambio per finiture diverse dal cromo. / Spare part for different finishes.
◻ Per le finiture verniciate e satinare il flessibile verrà fornito in PVC nero. / Per le finiture verniciate e satinare il flessibile verrà fornito in PVC nero.

38534/D

Miscelatore vasca a pavimento con set doccia e deviatore. Floor mounted bath mixer with shower set.



ARTICOLO COMPLETO / COMPLETE ITEM

38534CR0D
CR

PARTE INCASSO BUILT-IN PART	PARTE ESTERNA DA ABBINARE EXTERNAL MATCHING PART
--------------------------------	---

FINITURE / FINISHES

09744

38534CRODEU
CR

38534CRRS0DEU
CRRS

38534NSNS0DEU
NSNS/NSRS/NERS/NECR/BUBU/NENE/BIBI/RBRB

38534FAFA0DEU
FAFA/OROR/FARS/BMBU

38534AMAM0DEU
AMAM/CNNE/NMNM/HMNM/CNAM

38534XX0DEU *
XX

* XX: Per tutte le altre finiture fattibili riferirsi a questa fascia di prezzo. / Refer to this line of price for all other realizable finishes.

RICAMBI / SPARE PARTS

	9812		9996CR
	9611CR		00850CROE
	00116CR		00850XX00 *
	9600XPV ◻		

* Ricambio per finiture diverse dal cromo. / Spare part for different finishes.
◻ Per le finiture verniciate e satinare il flessibile verrà fornito in PVC nero. / The flexible hose will be supplied in black PVC for painted and matt finishes.

ACCESSORI E RICAMBI / ACCESSORIES AND SPARE PARTS



38530/D NEW

Gruppo vasca incasso con set doccia Built-in bath and shower mixer with shower set positioning in vertical or horizontal.

Dettaglio flessibili / Flexible details pag. 42



ARTICOLO COMPLETO / COMPLETE ITEM

38530CRCR0D
CRCR

PARTE INCASSO BUILT-IN PART **PARTE ESTERNA DA ABBINARE** EXTERNAL MATCHING PART

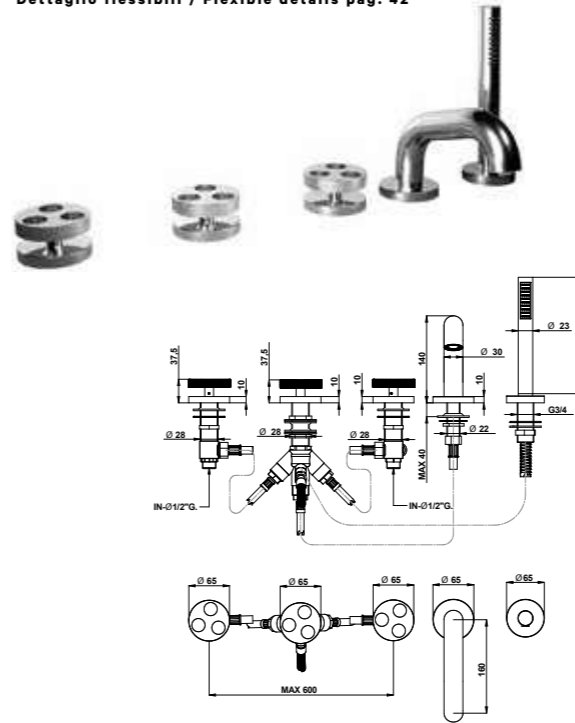
	FINITURE / FINISHES
9680/BW	38530CRCR0DEU CRCR
	38530CRRS0DEU CRRS
	38530NSNS0DEU NSNS
	38530NSRS0DEU NSRS/NERS/BUBU/BMBM/ BIBI/NENE
	38530OROR0DEU OROR/FAFA/FARS
	38530AMAM0DEU AMAM/CNNE/NMNM/NMNM/ CNAM
	38530XXXX0DEU * XXXX

* XXXX: Per tutte le altre finiture fattibili riferirsi a questa fascia di prezzo. / Refer to this line of price for all other realizable finishes.

38531/D

Gruppo bordo vasca con set doccia. Bath and shower mixer for deck installation with handshower set.

Dettaglio flessibili / Flexible details pag. 42



ARTICOLO COMPLETO / COMPLETE ITEM

38531CRCR0D
CRCR

38531CRRS0D
CRRS

38531NSNS0D
NSNS

38531NSRS0D
NSRS/NERS/BUBU/BIBI/NENE/RBRB

38531OROR0D
OROR/FAFA/FARS/BMBM

38531AMAM0D
AMAM/CNNE/NMNM/NMNM/
CNAM

38531XXXX0D *
XXXX

* XXXX: Per tutte le altre finiture fattibili riferirsi a questa fascia di prezzo. / Refer to this line of price for all other realizable finishes.

RICAMBI / SPARE PARTS

	9900 *		9900 □
	9391		9606CR
	00850CR0E		00112DV
	00850XX00 □		

* Calda / Hot
□ Fredda / Cold
□ Ricambio per finiture diverse dal cromo. / Spare part for different finishes.

38523 NEW

Miscelatore doccia esterno. External shower mixer.



ARTICOLO COMPLETO / COMPLETE ITEM

38523CRCR
CRCR

38523CRRS
CRRS

38523NSNS
NSNS

38523NSRS
NSRS/NERS/BUBU/BIBI/NENE/RBRB

38523OROR
OROR/FAFA/FARS/BMBM

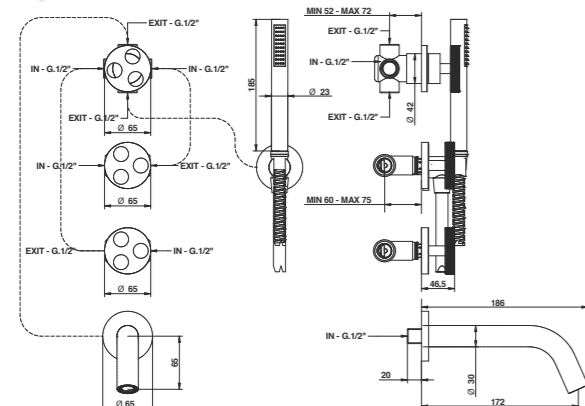
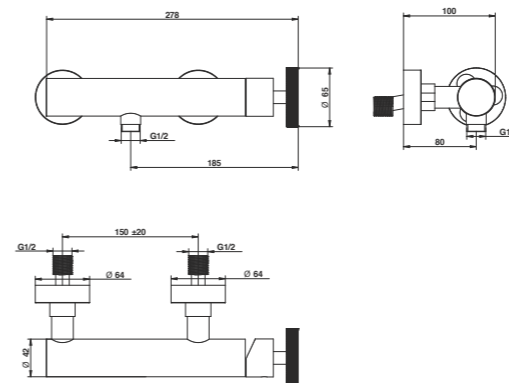
38523AMAM
AMAM/CNNE/NMNM/NMNM/
CNAM

38523XXXX *
XXXX

* XXXX: Per tutte le altre finiture fattibili riferirsi a questa fascia di prezzo. / Refer to this line of price for all other realizable finishes.

Flessibile non incluso / Flexible not included

ABBINABILE A / TO MATCH WITH:
Saliscendi / Sliding rail - 870



PROLUNGA / MIXER EXTENSION

	00083CRBW 2 pz. per articolo / 2 pcs needed	Cad. / Each		00109CRPR per deviatore / for diverter
--	---	-------------	--	--

RICAMBI / SPARE PARTS

	9900 *		9900 □
	9371		9600CR
	00850CR0E		00112DMBV
	00850XX00 □		9600XXPV □

* Calda / Hot
□ Fredda / Cold
□ Ricambio per finiture diverse dal cromo. / Spare part for different finishes.
□ Per le finiture verniciate e satinare il flessibile verrà fornito in PVC nero. / The flexible hose will be supplied in black PVC for painted and matt finishes.

FINITURE E COLORI / FINISHES AND COLOURS



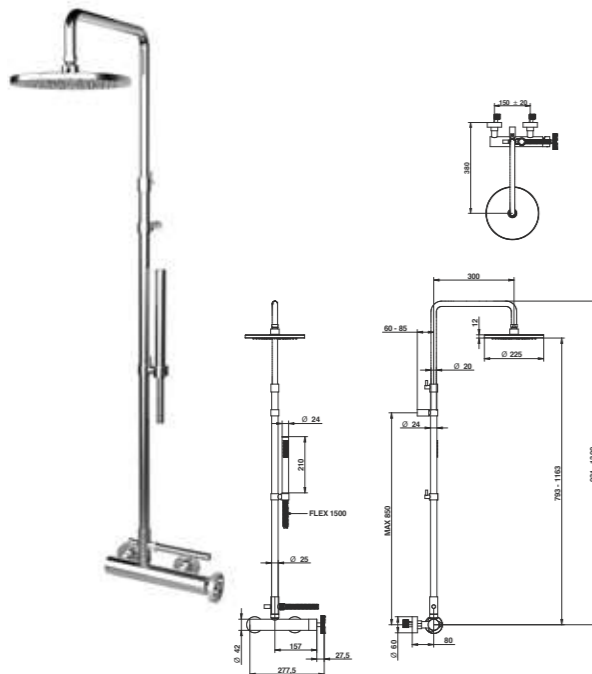
ACCESSORI E RICAMBI / ACCESSORIES AND SPARE PARTS



38537/D NEW

Miscelatore esterno doccia con tubo doccia, deviatore, soffione e set doccia. External shower mixer with tube, diverter, shower head and handshower set.

Dettaglio flessibili / Flexible details pag. 42



ARTICOLO COMPLETO / COMPLETE ITEM

38537CRCR0D
CRCR

38537CRRS0D
CRRS

38537NSNS0D
NSNS

38537NSRS0D *
NSRS/NERS/BUBU/BIBI/NENE/RBRB

38537OROR0D *
OROR/FAFA/FARS/BMBM

38537AMAM0D *
AMAM/CNNE/NMNM/NMHM/CNAM

38537XXX0D □
XXXX

* Nelle varianti colore verniciate e satinare alcuni particolari saranno in finitura galvanica per garantire gli standard qualitativi. / To assure our quality standard on colored and satin product, some details remain in galvanic finishes.
□ XXXX: Per tutte le altre finiture fattibili riferirsi a questa fascia di prezzo. / Refer to this line of price for all other realizable finishes.

RICAMBI / SPARE PARTS

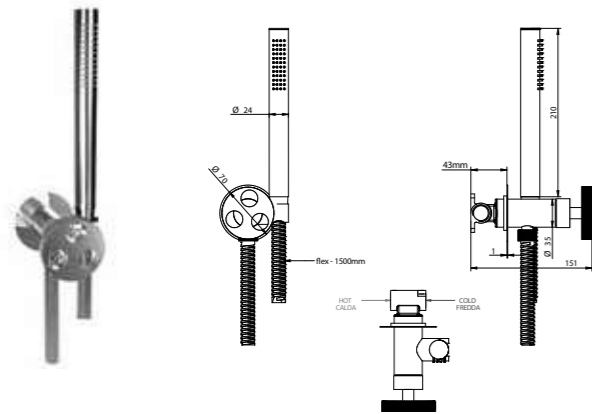
	9838		9600CR
	00850CR0E		00121
	00850XX00 *		9600XXPV □

* Ricambio per finiture diverse dal cromo. / Spare part for different finishes.
□ Per le finiture verniciate e satinare il flessibile verrà fornito in PVC nero. / The flexible hose will be supplied in black PVC for painted and matt finishes.

38915 NEW MISCELATORE INTEGRATO / INTEGRATED MIXER

Set doccia ad incasso con miscelatore progressivo integrato ad uso doccia, vasca e bidet completo di doccetta. Duplex shower set with integrated progressive mixer for shower/bathtub and bidet.

Dettaglio flessibili / Flexible details pag. 42



RICAMBI / SPARE PARTS

	9820		9600CR
	00850CR0E		00850XX00 *
	9600XXPV □		

* Ricambio per finiture diverse dal cromo. / Spare part for different finishes.
□ Per le finiture verniciate e satinare il flessibile verrà fornito in PVC nero. / The flexible hose will be supplied in black PVC for painted and matt finishes.

FINITURE E COLORI / FINISHES AND COLOURS



ARTICOLO COMPLETO / COMPLETE ITEM

38915CRCR
CR

PARTE INCASSO
BUILT-IN PART

PARTE ESTERNA DA ABBINARE
EXTERNAL MATCHING PART

9490/CP

FINITURE / FINISHES

38915CRCREU
CRCR

38915CRRSEU
CRRS

38915NSNSEU
NSNS

38915NSRSEU
NSRS/NERS/NENE/BIBI/RBRB

38915OROREU
OROR/FAFA/FARS

38915AMAMEU
AMAM/NMNM/NMHM/CNAM/CNNE

38915XXXXEU *
XXXX

* XXXX: Per tutte le altre finiture fattibili riferirsi a questa fascia di prezzo. / Refer to this line of price for all other realizable finishes.

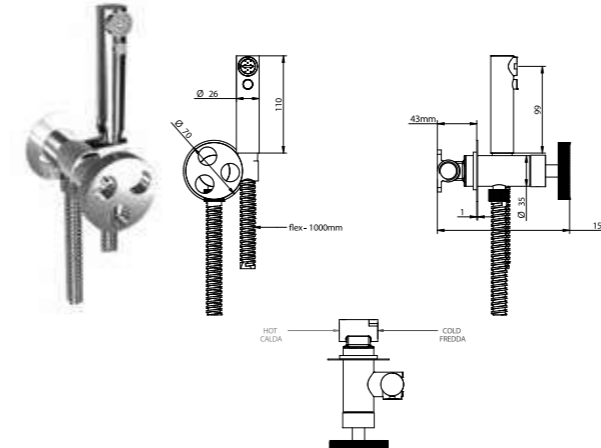
PROLUNGA / MIXER EXTENSION

00916CRPR

38916 MISCELATORE INTEGRATO / INTEGRATED MIXER

Set doccia bidet per wc ad incasso con miscelatore progressivo integrato e doccetta. Shattaf shower set for wc with integrated progressive mixer and handshower.

Dettaglio flessibili / Flexible details pag. 42



PROLUNGA / MIXER EXTENSION

00916CRPR

RICAMBI / SPARE PARTS

9820 9610CR

00904CRD0

ARTICOLO COMPLETO / COMPLETE ITEM

38916CRCR
CR

PARTE INCASSO
BUILT-IN PART

PARTE ESTERNA DA ABBINARE
EXTERNAL MATCHING PART

9490/CP

FINITURE / FINISHES

38916CRCREU
CRCR

38916CRRSEU
CRRS

38916NSNSEU
NSNS

38916NSRSEU *
NSRS/NERS/NENE/BIBI/RBRB

38916OROREU *
OROR/FAFA/FARS

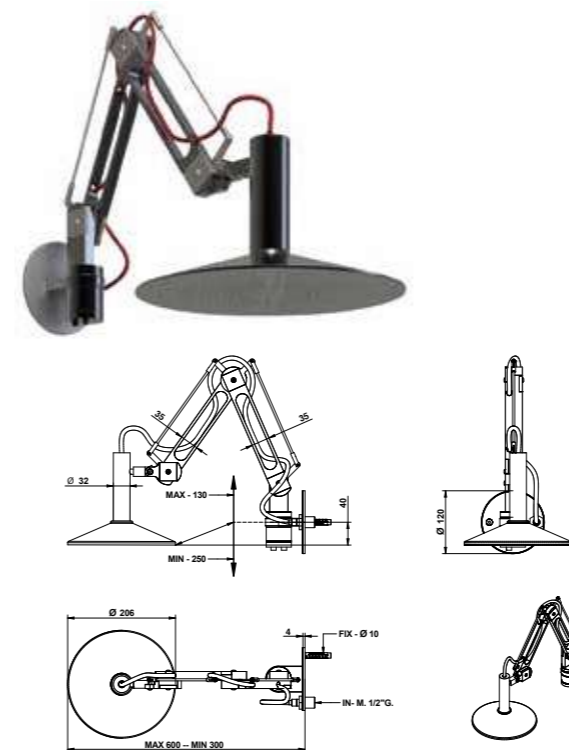
38916AMAMEU *
AMAM/CNNE/NMNM/NMHM/CNAM

38916XXXXEU □
XXXX

* Nelle varianti colore verniciate e satinare alcuni particolari saranno in finitura galvanica per garantire gli standard qualitativi. / To assure our quality standard on colored and satin product, some details remain in galvanic finishes.
□ XXXX: Per tutte le altre finiture fattibili riferirsi a questa fascia di prezzo. / Refer to this line of price for all other realizable finishes.

SW880

Soffione doccia Ø 206 mm con braccio orientabile ad estensione. Ø 206 mms shower head with arm adjustable and extensible.



ARTICOLO COMPLETO / COMPLETE ITEM

SW880NENE
NENE/NERS/NEME/SIME/SINE/SIRS

Non disponibile in altre finiture. / Not available in other finishes.

RICAMBI / SPARE PARTS

IM883AS20RPR

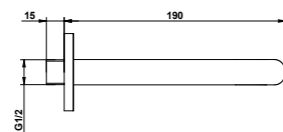
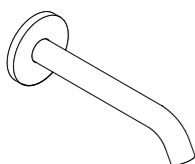
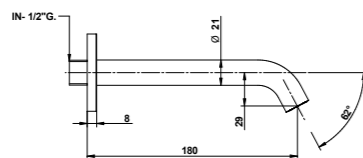
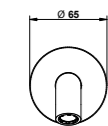
ACCESSORI E RICAMBI / ACCESSORIES AND SPARE PARTS



1017/19 NEW

Bocca incasso Ø 21 mm, 190 mm.
Lunghezza 1/2" M.

Built-in spout Ø 21 mms, 190 mms.
Long 1/2" M.



ARTICOLO COMPLETO / COMPLETE ITEM

01017CR19
CR

01017NE19
NE/NS/BI/RB/ON/BU

01017OR19
OR/AM/NM/CN/HM/BM

01017TT19
TT/FA

01017XX19 *
XX

* XX: Per tutte le altre finiture fattibili riferirsi a questa fascia di prezzo. / Refer to this line of price for all other realizable finishes.

RICAMBI / SPARE PARTS



9390

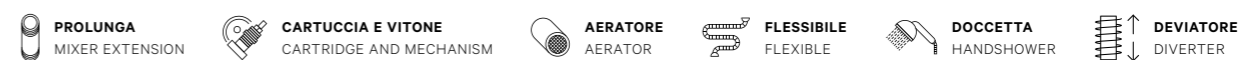


Art. 38500

FINITURE E COLORI / FINISHES AND COLOURS

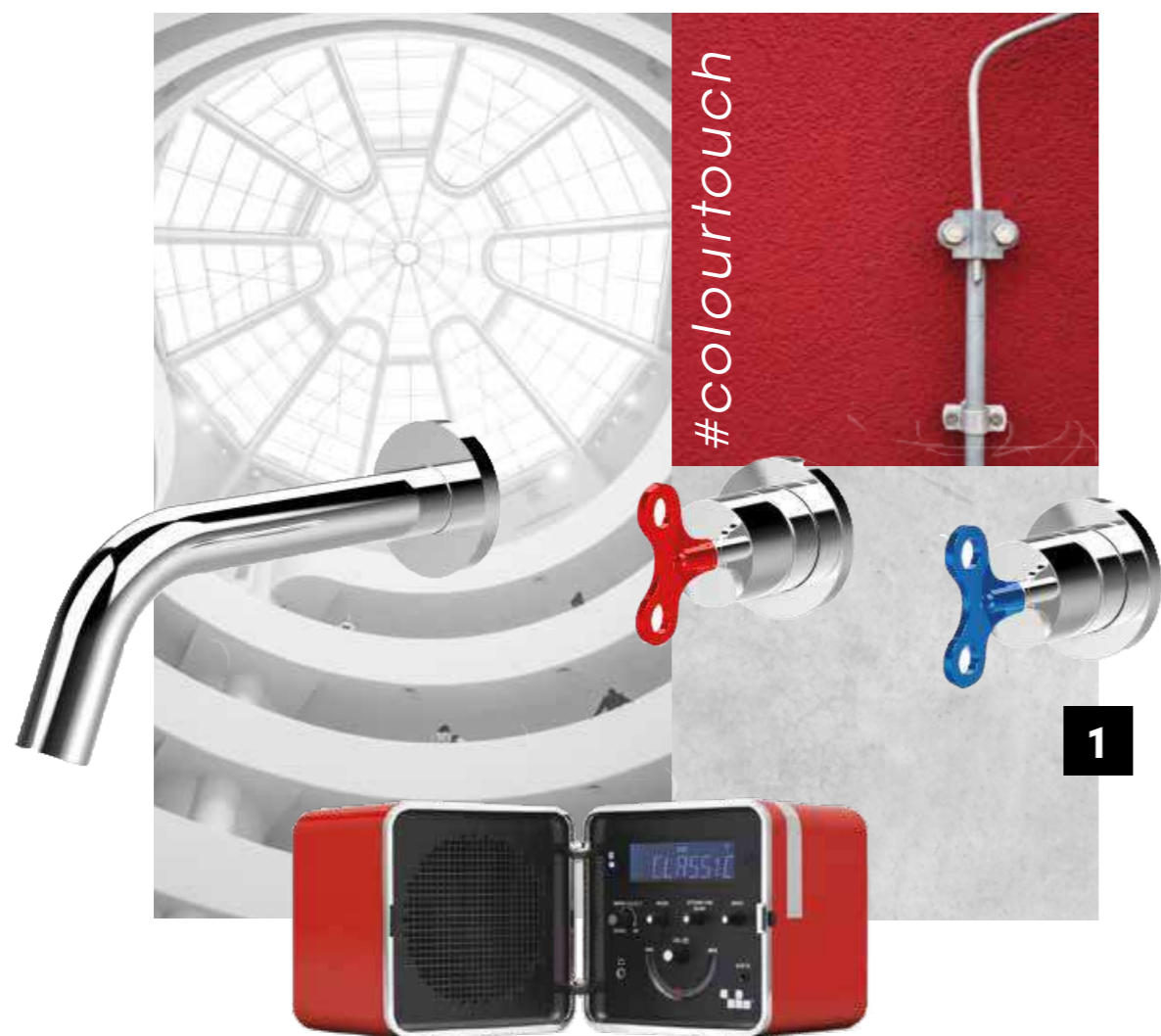


ACCESSORI E RICAMBI / ACCESSORIES AND SPARE PARTS



A C Q U A
C A R I C A

DESIGN BY FEDERICO ROSSI



ESSENTIAL _
WHITE



#modernist 2



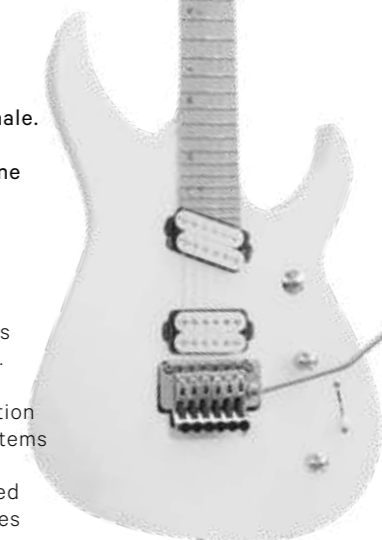
#singleattitude

LA CHIAVE DELLA VERSATILITÀ

The key to versatility

Una collezione easy di monocomandi dall'apertura a chiave pratica e funzionale. La disponibilità in vari colori libera la creatività nell'arredo di bagni e cucine rendendo ACQUACARICA protagonista di ambienti residenziali e commerciali dall'appeal contemporaneo.

An easy-going collection of single levers with a practical and handy key-opening. The several colours available for this collection allow you to let your imagination run wild when choosing the furnishing items to decorate your kitchen and bathroom, and make ACQUACARICA the undisputed star of residential and commercial spaces with a contemporary appeal.



1. Art. 63540CRHC
2. SI300MOND



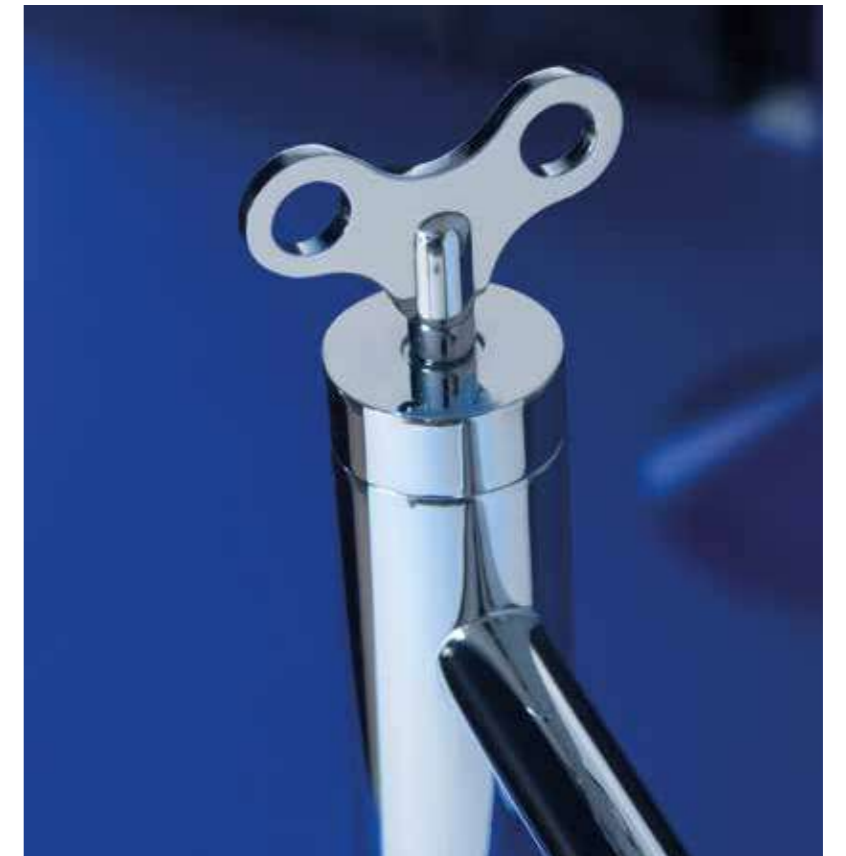


LAVABO / WASHBASIN
Art. 63540NSHC

VASCA / BATHTUB
COMPOSTO DA / COMPOSED OF:
Art. 01008NS00 + Art. 63500NSRS + Art. 63500NSSS + Art. 63525NSNS + Art. 00830NS0E

ACCESSORI / ACCESSORIES
Art. 30027NS00
Art. 00067RS00





LAVABO / WASHBASIN
 Art. 63521CRBI
 Art. 63338CRCR
 Art. 63321CRCRVE



INFORMAZIONI TECNICHE

Technical details



CARTUCCIA: La serie Acquacarica è dotata di diverse tipologie di cartucce: cartuccia \varnothing 25 mm, cartuccia \varnothing 35 mm tradizionali senza distributore e cartuccia progressiva \varnothing 25 e 35 mm. Il funzionamento della cartuccia miscelatrice avviene con movimento rotatorio in senso orario, permettendo un'erogazione dell'acqua da completamente fredda a miscelata per passare a tutta calda, questo sistema permette una notevole riduzione di consumo di acqua calda.

La temperatura d'impianto non deve superare i 70°C. La pressione di esercizio dell'impianto consigliata è di 3 bar.

EROGAZIONE: La serie Acquacarica ha un tipo di erogazione morbida. **I lavabi e i bidet sono forniti con limitatore di portata da 6l/m.**

SISTEMI DI DEVIAZIONE: I deviatori Bongio sono testati per funzionare da un minimo di 0,5 bar pressione.

INSTALLAZIONE: Tutti gli articoli ad incasso Bongio completi sono forniti di relative parti da incassare. Per i miscelatori lavabo e bidet da installarsi su piano, devono essere realizzati fori di \varnothing 35 mm massimo e per miscelatori bordo piano \varnothing 47 mm massimo.

NOTA FINITURE FA / TT

I prodotti nelle finiture Ferro Antico (FA) e Terra di Toscana (TT) vengono realizzati con trattamenti manuali e, data la particolare lavorazione artigianale, possono presentare una colorazione non uniforme.

Articoli con cartuccia progressiva disponibili sul sito www.bongio.com

CARTRIDGE: Acquacarica series uses different kind of cartridges: \varnothing 25 mms, \varnothing 35 traditional cartridge without distributor and progressive cartridge \varnothing 25 and 35 mms. The progressive cartridge works through a turning clock wise movement obtaining a water supply from completely cold to mixed water to total hot water, highly reducing hot water consumption.

The temperature of the plant must not exceed 70°. The ideal working pressure of the plant is 3 bar.

SUPPLY: Acquacarica series has a soft supply. **Basin and bidet mixers have a standard limitatio of flow to 6l/m.**

DIVERTING SYSTEMS: Bongio diverters have been tested to work properly starting from a minimum 0,5 bar pressure

INSTALLATION: All the built-in Bongio items are available with universal raw built-in body.

For the basin and bidet mixers - single or three holes - to be place on top deck, they require 35 mms \varnothing maximum holes.

FINISHES NOTE FA / TT

Products in Ferro Antico (FA) and Terra di Toscana (TT) finish are made with manual treatments and may therefore display colour variations due to the particular craftsmanship.

Products with progressive cartridges are available at www.bongio.com

FINITURE E COLORI / FINISHES AND COLOURS

DETTAGLI / MORE INFO PAG. 38



CR
Cromo
Chrome



CM
Cromo Satinato
Matt Chrome



NM
Cromo Nero Satinato
Matt Black Chrome



NS
Nichel Spazzolato
Brushed Nickel



OM
Oro Satinato
Matt Gold



HM
Oro Francese Satinato
Matt French Gold



AM
Oro Rosa Satinato
Matt Rose Gold



BI
Bianco Opaco
Matt White



NE
Nero Opaco
Matt Black
(RAL 9005)



RS
Rosso
Red
(RAL 3000)



LI
Lime



SB
Fragola
Strawberry
(RAL 4010)



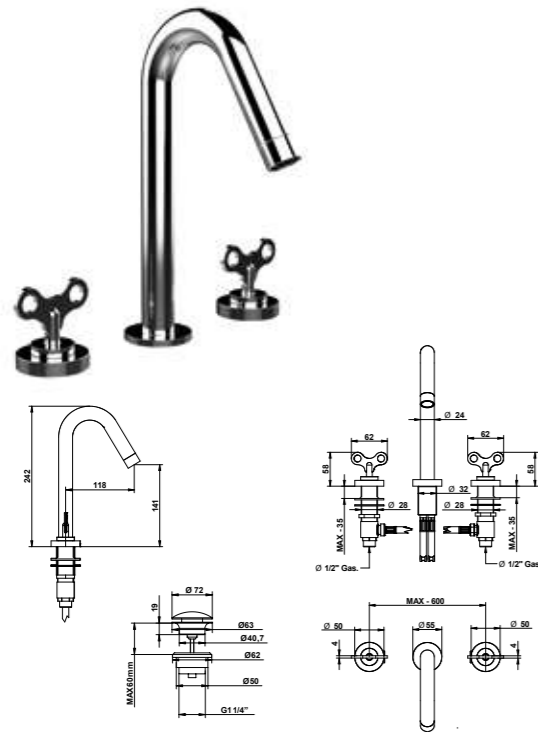
SS
Supersky
(RAL 5015)



FA
Ferro Antico
Old Iron

63501

Gruppo lavabo tre fori con piletta clic-clac. Three holes basin mixer with clic-clac waste.



ARTICOLO COMPLETO / COMPLETE ITEM

63501CRCR
CRCR/CRRS/CRSS/CRBI/CRNE/CRLI/CRSB

63501NENE
NENE/RSRS/BIBI/NSNS

63501NSHC*
NSHC/FAFA/NMNM/HMHM/CMCM/AMAM/OMOM

63501XXXX □
XXXX

* NSHC H: Calda - C: Fredda / NSHC H: Hot - C: Cold
□ XXXX: Per tutte le altre finiture fattibili riferirsi a questa fascia di prezzo. / Refer to this line of price for all other realizable finishes.

Non disponibile nelle finiture ON - BU - TT - BM / Not available ON - BU - TT - BM

ABBINABILE A / TO MATCH WITH:
Sifone / Siphon - **00067CR00**

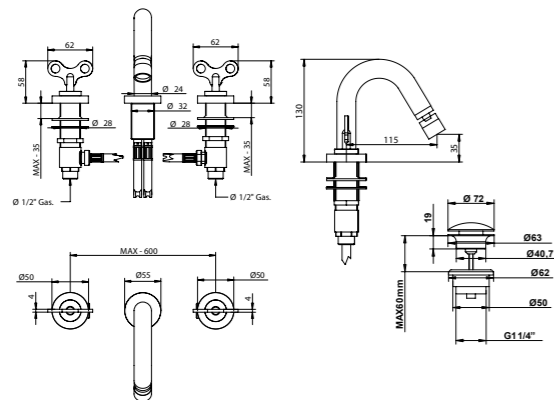
RICAMBI / SPARE PARTS

	9799 *		9799 □
	9999CR		

* Calda / Hot
□ Fredda / Cold

63503

Gruppo bidet tre fori con piletta clic-clac. Three holes bidet mixer with clic-clac waste.



ARTICOLO COMPLETO / COMPLETE ITEM

63503CRCR
CRCR/CRRS/CRSS/CRBI/CRNE/CRLI/CRSB

63503NENE
NENE/RSRS/BIBI/NSNS

63503NSHC*
NSHC/FAFA/NMNM/HMHM/CMCM/AMAM/OMOM

63503XXXX □
XXXX

* NSHC H: Calda - C: Fredda / NSHC H: Hot - C: Cold
□ XXXX: Per tutte le altre finiture fattibili riferirsi a questa fascia di prezzo. / Refer to this line of price for all other realizable finishes.

Non disponibile nelle finiture ON - BU - TT - BM / Not available ON - BU - TT - BM

ABBINABILE A / TO MATCH WITH:
Sifone / Siphon - **00066CR00**

RICAMBI / SPARE PARTS

	9799 *		9799 □
	9980CR		

* Calda / Hot
□ Fredda / Cold

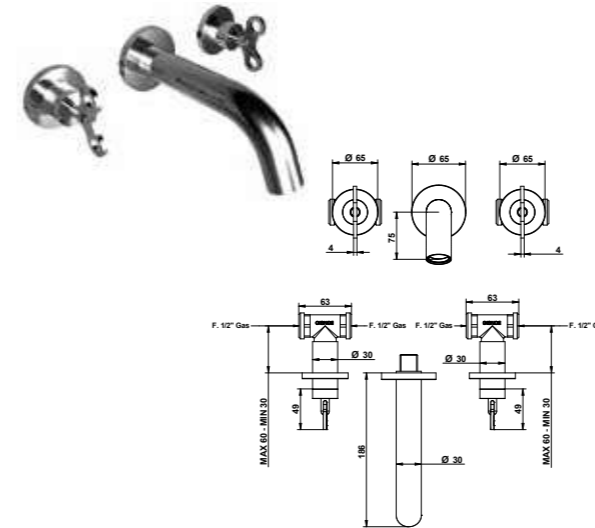
FINITURE E COLORI / FINISHES AND COLOURS



* NSHC H: Calda / Hot - C: Fredda / Cold

63540

Gruppo lavabo a parete con bocca 194 mm. Wall basin mixer with 194 mms. spout.



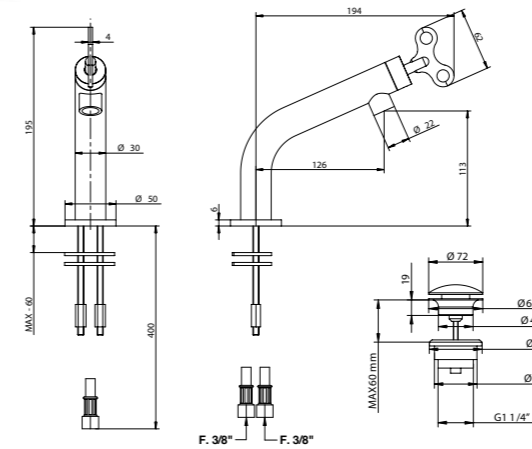
RICAMBI / SPARE PARTS

	9799 *		9799 □
	9371		

* Calda / Hot
□ Fredda / Cold

63521

Miscelatore lavabo con piletta clic-clac e cartuccia progressiva. Basin mixer with clic-clac waste and progressive cartridge.



ARTICOLO COMPLETO / COMPLETE ITEM

63540CRCR
CRCR/CRRS/CRSS/CRBI/CRNE/CRLI/CRSB

PARTE INCASSO / BUILT-IN PART **PARTE ESTERNA DA ABBINARE** / EXTERNAL MATCHING PART

9768/AC

FINITURE / FINISHES

63540CRCREU
CRCR/CRRS/CRSS/CRBI/CRNE/CRLI/CRSB

63540NENEEU
NENE/RSRS/BIBI/NSNS

63540NSHCEU*
NSHC/FAFA/NMNM/HMHM/CMCM/AMAM/OMOM

63540XXXXEU □
XXXX

* NSHC H: Calda - C: Fredda / NSHC H: Hot - C: Cold
□ XXXX: Per tutte le altre finiture fattibili riferirsi a questa fascia di prezzo. / Refer to this line of price for all other realizable finishes.

Non disponibile nelle finiture ON - BU - TT - BM / Not available ON - BU - TT - BM

ABBINABILE A / TO MATCH WITH:
Sifone / Siphon - **00067CR00**

Piletta clic-clac / Clic-clac waste - **00079CR00**

PROLUNGA / MIXER EXTENSION

00083CRMY
2 pz. per articolo / 2 pcs. needed Cad. / Each

ARTICOLO COMPLETO / COMPLETE ITEM

63521CRCR
CRCR/CRRS/CRSS/CRBI/CRNE/CRLI/CRSB

63521NENE
NENE/RSRS/BIBI/NSNS

63521FAFA
FAFA/NMNM/HMHM/CMCM/AMAM/OMOM

63521XXXX*
XXXX

* XXXX: Per tutte le altre finiture fattibili riferirsi a questa fascia di prezzo. / Refer to this line of price for all other realizable finishes.

Non disponibile nelle finiture ON - BU - TT - BM / Not available ON - BU - TT - BM

ABBINABILE A / TO MATCH WITH:
Sifone / Siphon - **00067CR00**

RICAMBI / SPARE PARTS

	9869		9372
--	-------------	--	-------------

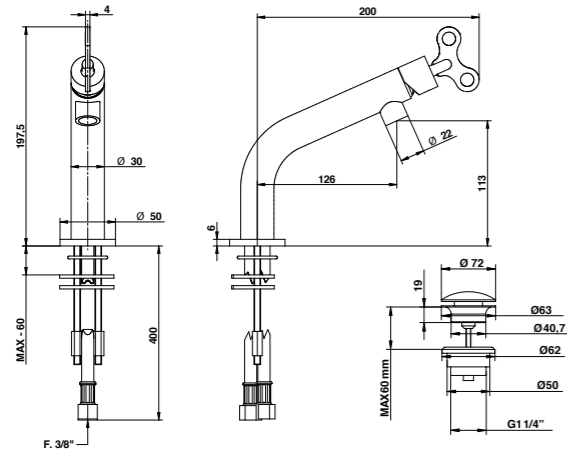
ACCESSORI E RICAMBI / ACCESSORIES AND SPARE PARTS



63321 NEW

Miscelatore lavabo con piletta clic-clac e cartuccia tradizionale.

Basin mixer with clic-clac waste and traditional cartridge.



ARTICOLO COMPLETO / COMPLETE ITEM

63321CRCR
CRCR/CRRS/CRSS/CRBI/CRNE/CRLI/CRSB

63321NENE
NENE/RSRS/BIBI/NSNS

63321FAFA
FAFA/NMNM/HMHM/CMCM/AMAM/OMOM

63321XXXX *
XXXX

* XXXX: Per tutte le altre finiture fattibili riferirsi a questa fascia di prezzo. / Refer to this line of price for all other realizable finishes.

Non disponibile nelle finiture ON - BU - TT - BM / Not available ON - BU - TT - BM

ABBINABILE A / TO MATCH WITH:
Sifone / Siphon - **00067CR00**

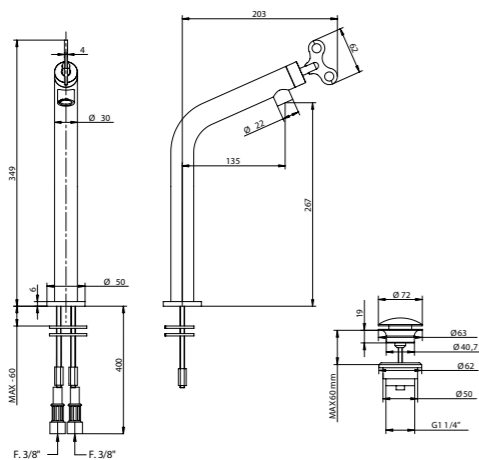
RICAMBI / SPARE PARTS

	9870		9372
--	-------------	--	-------------

63532

Miscelatore lavabo alto girevole con piletta clic-clac e cartuccia progressiva

High swivel basin mixer with clicclac waste and progressive cartridge.



ARTICOLO COMPLETO / COMPLETE ITEM

63532CRCR
CRCR/CRRS/CRSS/CRBI/CRNE/CRLI/CRSB

63532NENE
NENE/RSRS/BIBI/NSNS

63532FAFA
FAFA/NMNM/HMHM/CMCM/AMAM/OMOM

63532XXXX *
XXXX

* XXXX: Per tutte le altre finiture fattibili riferirsi a questa fascia di prezzo. / Refer to this line of price for all other realizable finishes.

Non disponibile nelle finiture ON - BU - TT - BM / Not available ON - BU - TT - BM

ABBINABILE A / TO MATCH WITH:
Sifone / Siphon - **00067CR00**

RICAMBI / SPARE PARTS

	9869		9372
--	-------------	--	-------------

FINITURE E COLORI / FINISHES AND COLOURS



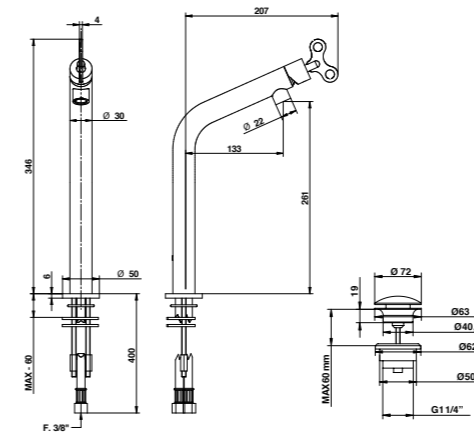
* NSHC H: Calda / Hot - C: Fredda / Cold



63332 NEW

Miscelatore lavabo alto girevole con piletta clic-clac e cartuccia tradizionale.

High swivel basin mixer with clic-clac waste and traditional cartridge.



ARTICOLO COMPLETO / COMPLETE ITEM

63332CRCR
CRCR/CRRS/CRSS/CRBI/CRNE/CRLI/CRSB

63332NENE
NENE/RSRS/BIBI/NSNS

63332FAFA
FAFA/NMNM/HMHM/CMCM/AMAM/OMOM

63332XXXX *
XXXX

* XXXX: Per tutte le altre finiture fattibili riferirsi a questa fascia di prezzo. / Refer to this line of price for all other realizable finishes.

Non disponibile nelle finiture ON - BU - TT - BM / Not available ON - BU - TT - BM

ABBINABILE A / TO MATCH WITH:
Sifone / Siphon - **00067CR00**

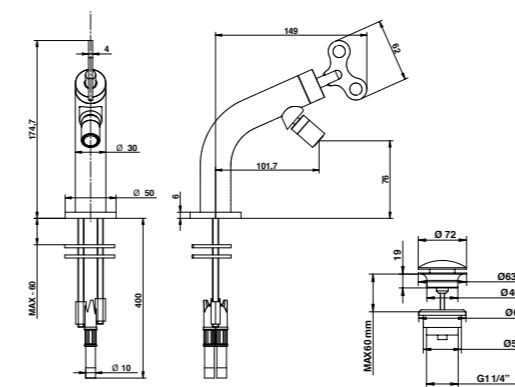
RICAMBI / SPARE PARTS

	9870		9372
--	-------------	--	-------------

63522

Miscelatore bidet con piletta clic-clac e cartuccia progressiva.

Bidet mixer with clic-clac waste and progressive cartridge.



ARTICOLO COMPLETO / COMPLETE ITEM

63522CRCR
CRCR/CRRS/CRSS/CRBI/CRNE/CRLI/CRSB

63522NENE
NENE/RSRS/BIBI/NSNS

63522FAFA
FAFA/NMNM/HMHM/CMCM/AMAM/OMOM

63522XXXX *
XXXX

* XXXX: Per tutte le altre finiture fattibili riferirsi a questa fascia di prezzo. / Refer to this line of price for all other realizable finishes.

Non disponibile nelle finiture ON - BU - TT - BM / Not available ON - BU - TT - BM

ABBINABILE A / TO MATCH WITH:
Sifone / Siphon - **00066CR00**

RICAMBI / SPARE PARTS

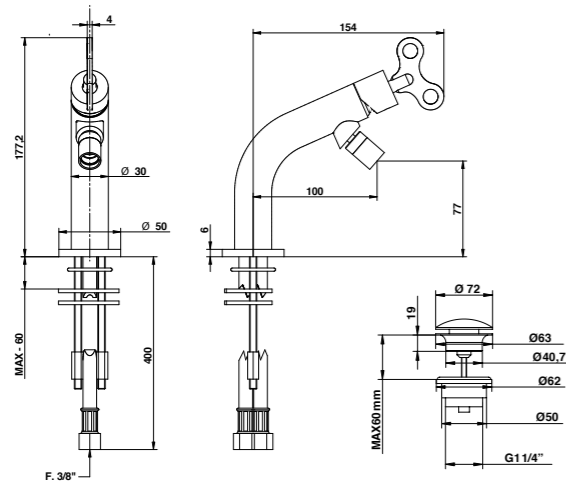
	9869		9393CR
--	-------------	--	---------------

ACCESSORI E RICAMBI / ACCESSORIES AND SPARE PARTS



63322 NEW

Miscelatore bidet con piletta clic-clac e cartuccia tradizionale. Bidet mixer with clic-clac waste and traditional cartridge.



ARTICOLO COMPLETO / COMPLETE ITEM

63322CRCR
CRCR/CRRS/CRSS/CRBI/CRNE/CRLI/CRSB

63322NENE
NENE/RSRS/BIBI/NSNS

63322FAFA
FAFA/NMNM/HMHM/CMCM/AMAM/OMOM

63322XXXX *
XXXX

* XXXX: Per tutte le altre finiture fattibili riferirsi a questa fascia di prezzo. / Refer to this line of price for all other realizable finishes.

Non disponibile nelle finiture ON - BU - TT - BM / Not available ON - BU - TT - BM

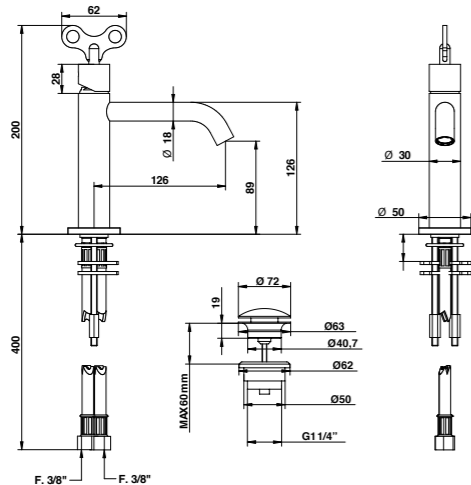
ABBINABILE A / TO MATCH WITH:
Sifone / Siphon - **0006CR00**

RICAMBI / SPARE PARTS

	9870		9393CR
--	------	--	--------

63321/VE

Miscelatore lavabo con piletta clic-clac e cartuccia tradizionale. Basin mixer with clic-clac waste and traditional cartridge.



ARTICOLO COMPLETO / COMPLETE ITEM

63321CRCRVE
CRCR/CRRS/CRSS/CRBI/CRNE/CRLI/CRSB

63321NENEVE
NENE/RSRS/BIBI/NSNS

63321FAFAVE
FAFA/NMNM/HMHM/CMCM/AMAM/OMOM

63321XXXXVE *
XXXX

* XXXX: Per tutte le altre finiture fattibili riferirsi a questa fascia di prezzo. / Refer to this line of price for all other realizable finishes.

Non disponibile nelle finiture ON - BU - TT - BM / Not available ON - BU - TT - BM

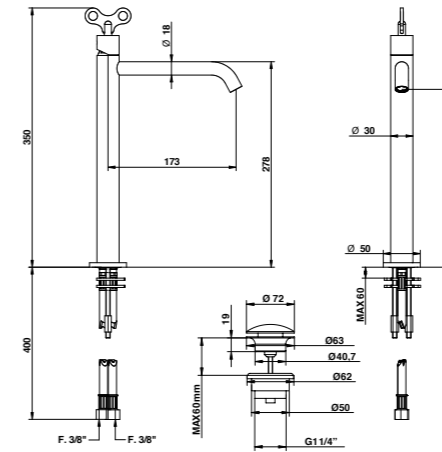
ABBINABILE A / TO MATCH WITH:
Sifone / Siphon - **00067CR00**

RICAMBI / SPARE PARTS

	9870		9392
--	------	--	------

63332/VE

Miscelatore lavabo alto con bocca lunga, piletta clic-clac e cartuccia tradizionale. High basin mixer with long spout, clic-clac waste and traditional cartridge.



ARTICOLO COMPLETO / COMPLETE ITEM

63332CRCRVE
CRCR/CRRS/CRSS/CRBI/CRNE/CRLI/CRSB

63332NENEVE
NENE/RSRS/BIBI/NSNS

63332FAFAVE
FAFA/NMNM/HMHM/CMCM/AMAM/OMOM

63332XXXXVE *
XXXX

* XXXX: Per tutte le altre finiture fattibili riferirsi a questa fascia di prezzo. / Refer to this line of price for all other realizable finishes.

Non disponibile nelle finiture ON - BU - TT - BM / Not available ON - BU - TT - BM

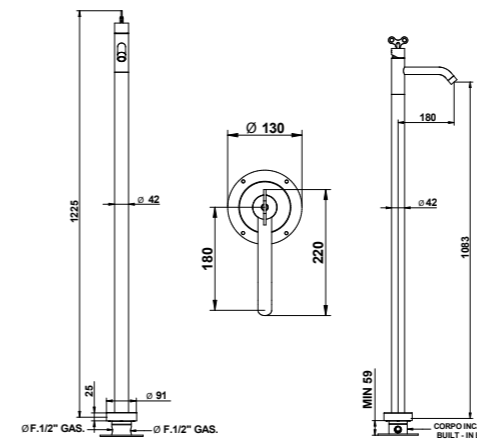
ABBINABILE A / TO MATCH WITH:
Sifone / Siphon - **00067CR00**

RICAMBI / SPARE PARTS

	9870		9392
--	------	--	------

63333

Lavabo a pavimento. Floor basin mixer column



ARTICOLO COMPLETO / COMPLETE ITEM

63333CRCR
CRCR

PARTE INCASSO BUILT-IN PART **PARTE ESTERNA DA ABBINARE EXTERNAL MATCHING PART**

FINITURE / FINISHES

09744	63333CRCREU CRCR/CRRS/CRSS/CRBI/CRNE/CRLI/CRSB
	63333NENEUE NENE/RSRS/NSNS
	63333FAFAEU FAFA/NMNM/HMHM/CMCM/AMAM/OMOM
	63333XXXXEU * XX

* XX: Per tutte le altre finiture fattibili riferirsi a questa fascia di prezzo. / Refer to this line of price for all other realizable finishes.

Non disponibile nelle finiture ON - BU - TT - BM / Not available ON - BU - TT - BM

ABBINABILE A / TO MATCH WITH:
Sifone / Siphon - **00067CR00**
Piletta clic-clac / Clic-clac waste - **00079CR00**

RICAMBI / SPARE PARTS

	9812		9996
--	------	--	------

FINITURE E COLORI / FINISHES AND COLOURS



* NSHC H: Calda / Hot - C: Fredda / Cold

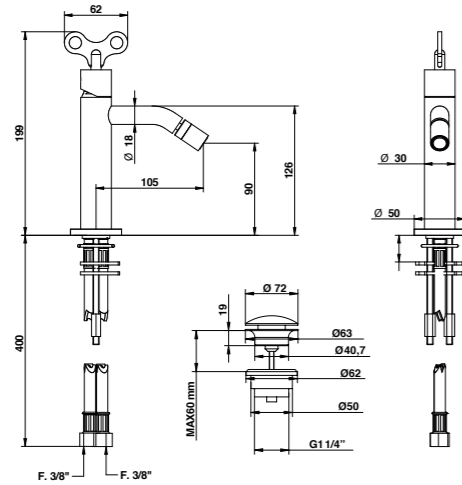


ACCESSORI E RICAMBI / ACCESSORIES AND SPARE PARTS



63322/VE

Miscelatore bidet con piletta clic-clac e cartuccia tradizionale. Bidet mixer with clic-clac waste and traditional mixer.



ARTICOLO COMPLETO / COMPLETE ITEM

63322CRCRVE
CRCR/CRRS/CRSS/CRBI/CRNE/CRLI/CRSB

63322NENEVE
NENE/RSRS/BIBI/NSNS

63322FAFAVE
FAFA/NMNM/HMHM/CMCM/AMAM/OMOM

63322XXXXVE *
XXXX

* XXXX: Per tutte le altre finiture fattibili riferirsi a questa fascia di prezzo. / Refer to this line of price for all other realizable finishes.

Non disponibile nelle finiture ON - BU - TT - BM / Not available ON - BU - TT - BM

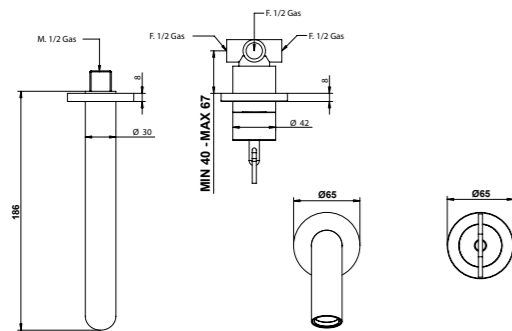
ABBINABILE A / TO MATCH WITH:
Sifone / Siphon - **00066CR00**

RICAMBI / SPARE PARTS

	9870		9393CR
--	------	--	--------

63538

Miscelatore lavabo con bocca da 186 mm e cartuccia progressiva. Wall basin mixer with 186 mms. spout with progressive cartridge.



ARTICOLO COMPLETO / COMPLETE ITEM

63538CRCR
CRCR/CRRS/CRSS/CRBI/CRNE/CRLI/CRSB

PARTE INCASSO BUILT-IN PART **PARTE ESTERNA DA ABBINARE EXTERNAL MATCHING PART**

09762

FINITURE / FINISHES

63538CRCREU
CRCR/CRRS/CRSS/CRBI/CRNE/CRLI/CRSB

63538NENEUE
NENE/RSRS/BIBI/NSNS

63538FAFAEU
FAFA/NMNM/HMHM/CMCM/AMAM/OMOM

63538XXXXEU *
XXXX

* XXXX: Per tutte le altre finiture fattibili riferirsi a questa fascia di prezzo. / Refer to this line of price for all other realizable finishes.

Non disponibile nelle finiture ON - BU - TT - BM / Not available ON - BU - TT - BM

ABBINABILE A / TO MATCH WITH:
Sifone / Siphon - **00067CR00**
Piletta clic-clac / Clic-clac waste - **00079CR00**

PROLUNGA / MIXER EXTENSION

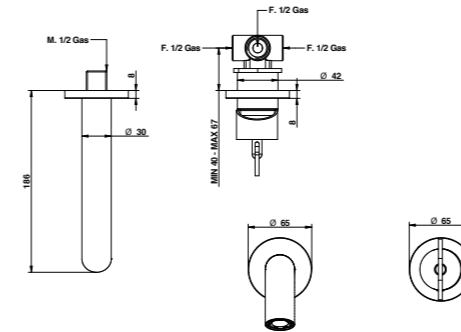
	00100CRPRPR
--	-------------

RICAMBI / SPARE PARTS

	9890		9371
--	------	--	------

63338 NEW

Miscelatore lavabo con bocca da 186 mm e cartuccia tradizionale. Wall basin mixer with 186 mms. spout and traditional cartridge.



RICAMBI / SPARE PARTS

	9813		9371
--	------	--	------

ARTICOLO COMPLETO / COMPLETE ITEM

63338CRRS
CRRS/CRSS/CRBI/CRNE/CRLI/CRSB

63338CRCR
CRCR

PARTE INCASSO BUILT-IN PART **PARTE ESTERNA DA ABBINARE EXTERNAL MATCHING PART**

09761

FINITURE / FINISHES

63338CRCREU
CRCR/CRRS/CRSS/CRBI/CRNE/CRLI/CRSB

63338NENEUE
NENE/RSRS/BIBI/NSNS

63338FAFAEU
FAFA/NMNM/HMHM/CMCM/AMAM/OMOM

63338XXXXEU *
XXXX

* XXXX: Per tutte le altre finiture fattibili riferirsi a questa fascia di prezzo. / Refer to this line of price for all other realizable finishes.

Non disponibile nelle finiture ON - BU - TT - BM / Not available ON - BU - TT - BM

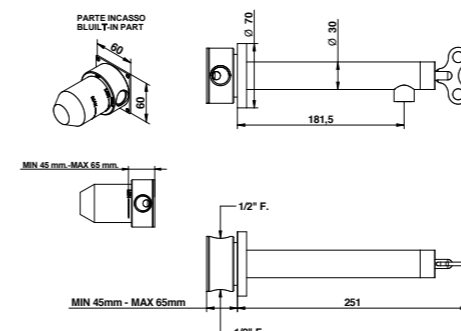
ABBINABILE A / TO MATCH WITH:
Sifone / Siphon - **00067CR00**
Piletta clic-clac / Clic-clac waste - **00079CR00**

PROLUNGA / MIXER EXTENSION

	00100CRPRPR
--	-------------

63439

Miscelatore lavabo incasso da 251 mm con cartuccia progressiva inclusa nella bocca. Wall basin mixer with 251 mms. spout with progressive cartridge placed in the spout.



ARTICOLO COMPLETO / COMPLETE ITEM

63439CRCR
CRCR/CRRS/CRSS/CRBI/CRNE/CRLI/CRSB

PARTE INCASSO BUILT-IN PART **PARTE ESTERNA DA ABBINARE EXTERNAL MATCHING PART**

09695

FINITURE / FINISHES

63439CRCREU
CRCR/CRRS/CRSS/CRBI/CRNE/CRLI/CRSB

63439NENEUE
NENE/RSRS/BIBI/NSNS

63439FAFAEU
FAFA/NMNM/HMHM/CMCM/AMAM/OMOM

63439XXXXEU *
XXXX

* XXXX: Per tutte le altre finiture fattibili riferirsi a questa fascia di prezzo. / Refer to this line of price for all other realizable finishes.

Non disponibile nelle finiture ON - BU - TT - BM / Not available ON - BU - TT - BM

ABBINABILE A / TO MATCH WITH:
Sifone / Siphon - **00067CR00**
Piletta clic-clac / Clic-clac waste - **00079CR00**

RICAMBI / SPARE PARTS

	9869		9372
--	------	--	------

FINITURE E COLORI / FINISHES AND COLOURS



* NSHC H: Calda / Hot - C: Fredda / Cold

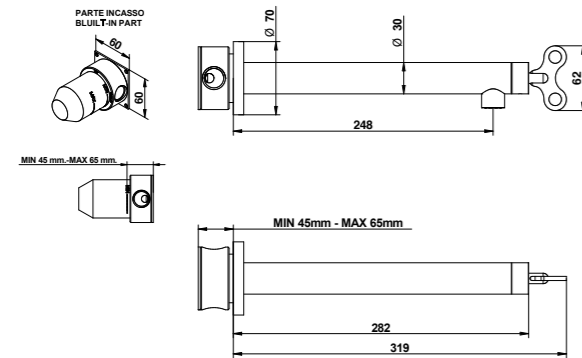


ACCESSORI E RICAMBI / ACCESSORIES AND SPARE PARTS



63439/OL NEW BOCCA LUNGA / LONG SPOUT

Miscelatore lavabo incasso da 319 mm con cartuccia progressiva inclusa nella bocca. Wall basin mixer with 319 mms. spout with progressive cartridge placed in the spout.



ARTICOLO COMPLETO / COMPLETE ITEM

63439CRCR0L
CRCR/CRRS/CRSS/CRBI/CRNE/CRLI/CRSB

PARTE INCASSO BUILT-IN PART	PARTE ESTERNA DA ABBINARE EXTERNAL MATCHING PART
	FINITURE / FINISHES
09695	63439CRCROLEU CRCR/CRRS/CRSS/CRBI/CRNE/CRLI/CRSB
	63439NENEOLEU NENE/RSRS/BIBI/NSNS
	63439FAFAOLEU FAFA/NMNM/HMHM/CMCM/AMAM/OMOM
	63439XXXXOLEU * XXXX

* XXXX: Per tutte le altre finiture fattibili riferirsi a questa fascia di prezzo. / Refer to this line of price for all other realizable finishes.

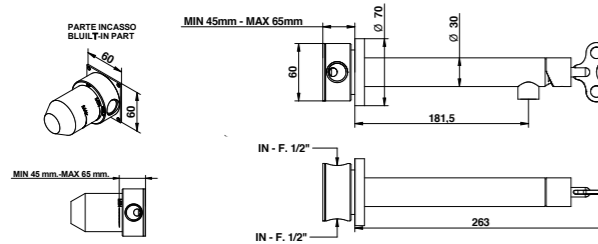
Non disponibile nelle finiture ON - BU - TT - BM / Not available ON - BU - TT - BM

ABBINABILE A / TO MATCH WITH:
Sifone / Siphon - **00067CR00**
Piletta clic-clac / Clic-clac waste - **00079CR00**

RICAMBI / SPARE PARTS	
9869	9372

63339 NEW

Miscelatore lavabo incasso da 263 mm con cartuccia tradizionale inclusa nella bocca. Wall basin mixer with 263 mms. spout with traditional cartridge placed in the spout.



ARTICOLO COMPLETO / COMPLETE ITEM

63339CRCR
CRCR/CRRS/CRSS/CRBI/CRNE/CRLI/CRSB

PARTE INCASSO BUILT-IN PART	PARTE ESTERNA DA ABBINARE EXTERNAL MATCHING PART
	FINITURE / FINISHES
09695	63339CRCREU CRCR/CRRS/CRSS/CRBI/CRNE/CRLI/CRSB
	63339NENEEU NENE/RSRS/BIBI/NSNS
	63339FAFAEU FAFA/NMNM/HMHM/CMCM/AMAM/OMOM
	63339XXXXEU * XXXX

* XXXX: Per tutte le altre finiture fattibili riferirsi a questa fascia di prezzo. / Refer to this line of price for all other realizable finishes.

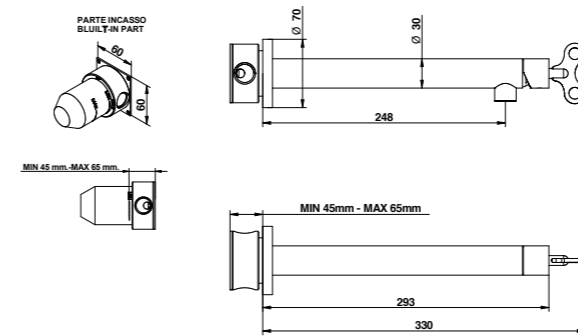
Non disponibile nelle finiture ON - BU - TT - BM / Not available ON - BU - TT - BM

ABBINABILE A / TO MATCH WITH:
Sifone / Siphon - **00067CR00**
Piletta clic-clac / Clic-clac waste - **00079CR00**

RICAMBI / SPARE PARTS	
9870	9372

63339/OL NEW BOCCA LUNGA / LONG SPOUT

Miscelatore lavabo incasso da 330 mm con cartuccia tradizionale inclusa nella bocca. Wall basin mixer with 330 mms. spout with traditional cartridge placed in the spout.



ARTICOLO COMPLETO / COMPLETE ITEM

63339CRCR0L
CRCR/CRRS/CRSS/CRBI/CRNE/CRLI/CRSB

PARTE INCASSO BUILT-IN PART	PARTE ESTERNA DA ABBINARE EXTERNAL MATCHING PART
	FINITURE / FINISHES
09695	63339CRCROLEU CRCR/CRRS/CRSS/CRBI/CRNE/CRLI/CRSB
	63339NENEOLEU NENE/RSRS/BIBI/NSNS
	63339FAFAOLEU FAFA/NMNM/HMHM/CMCM/AMAM/OMOM
	63339XXXXOLEU * XXXX

* XXXX: Per tutte le altre finiture fattibili riferirsi a questa fascia di prezzo. / Refer to this line of price for all other realizable finishes.

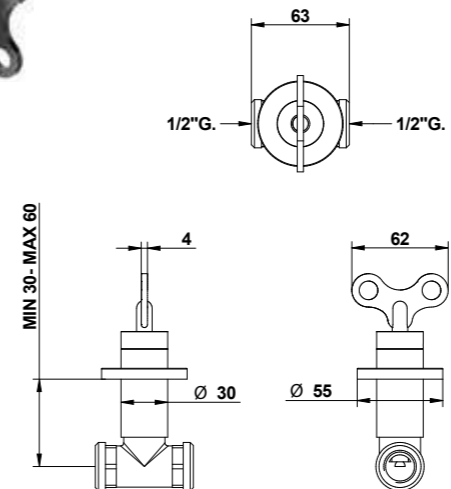
Non disponibile nelle finiture ON - BU - TT - BM / Not available ON - BU - TT - BM

ABBINABILE A / TO MATCH WITH:
Sifone / Siphon - **00067CR00**
Piletta clic-clac / Clic-clac waste - **00079CR00**

RICAMBI / SPARE PARTS	
9870	9372

63500

Rubinetti incasso da 1/2". 1/2" built-in tap.



ARTICOLO COMPLETO / COMPLETE ITEM

63500CRCR
CRCR/CRRS/CRSS/CRBI/CRNE/CRLI/CRSB

PARTE INCASSO BUILT-IN PART	PARTE ESTERNA DA ABBINARE EXTERNAL MATCHING PART
	FINITURE / FINISHES
09778 CALDA / hot	63500CRCREU CRCR/CRRS/CRSS/CRBI/CRNE/CRLI/CRSB
09778 FREDDA / cold	63500NENEEU NENE/RSRS/BIBI/NSNS/NSRS/NSSS
	63500FAFAEU FAFA/NMNM/HMHM/CMCM/AMAM/OMOM
	63500XXXXEU * XXXX

* XXXX: Per tutte le altre finiture fattibili riferirsi a questa fascia di prezzo. / Refer to this line of price for all other realizable finishes.

Non disponibile nelle finiture ON - BU - TT - BM / Not available ON - BU - TT - BM

PROLUNGA / MIXER EXTENSION	
00083CRMY	

RICAMBI / SPARE PARTS	
9799 *	9799 □

* Calda / Hot
□ Fredda / Cold

FINITURE E COLORI / FINISHES AND COLOURS



* NSHC H: Calda / Hot - C: Fredda / Cold

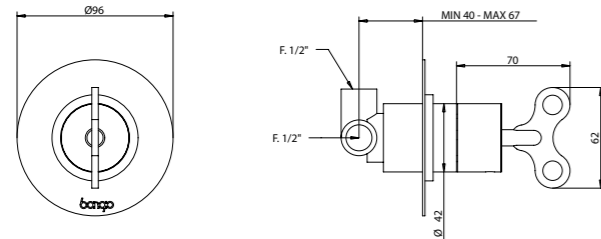


ACCESSORI E RICAMBI / ACCESSORIES AND SPARE PARTS



63524

Miscelatore incasso con cartuccia progressiva. Built-in mixer with progressive cartridge.



ARTICOLO COMPLETO / COMPLETE ITEM

63524CRCR
CRCR/CRRS/CRSS/CRBI/CRNE/CRLI/CRSB

PARTE INCASSO BUILT-IN PART **PARTE ESTERNA DA ABBINARE EXTERNAL MATCHING PART**

FINITURE / FINISHES

- 09762**
- 63524CRCREU**
CRCR/CRRS/CRSS/CRBI/CRNE/CRLI/CRSB
 - 63524NENEEU**
NENE/RSRS/BIBI/NSNS
 - 63524FAFAEU**
FAFA/NMNM/HMHM/CMCM/AMAM/OMOM
 - 63524XXXXEU ***
XXXX

* XXXX: Per tutte le altre finiture fattibili riferirsi a questa fascia di prezzo. / Refer to this line of price for all other realizable finishes.

Non disponibile nelle finiture ON - BU - TT - BM / Not available ON - BU - TT - BM

RICAMBI / SPARE PARTS

9890

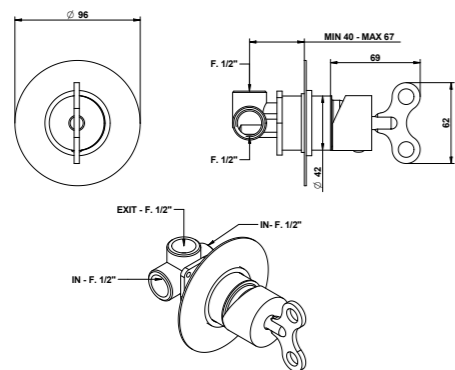
PROLUNGA / MIXER EXTENSION

000100CRPRR

OPTIONAL: Scatola incasso per cartongesso / Built-in box for drywall and cavity wall **09702PBOX**

63324

Miscelatore incasso con cartuccia tradizionale. Built-in mixer with traditional cartridge.



ARTICOLO COMPLETO / COMPLETE ITEM

63324CRCR
CRCR/CRRS/CRSS/CRBI/CRNE/CRLI/CRSB

PARTE INCASSO BUILT-IN PART **PARTE ESTERNA DA ABBINARE EXTERNAL MATCHING PART**

FINITURE / FINISHES

- 09761**
- 63324CRCREU**
CRCR/CRRS/CRSS/CRBI/CRNE/CRLI/CRSB
 - 63324NENEEU**
NENE/RSRS/BIBI/NSNS
 - 63324FAFAEU**
FAFA/NMNM/HMHM/CMCM/AMAM/OMOM
 - 63324XXXXEU ***
XXXX

* XXXX: Per tutte le altre finiture fattibili riferirsi a questa fascia di prezzo. / Refer to this line of price for all other realizable finishes.

Non disponibile nelle finiture ON - BU - TT - BM / Not available ON - BU - TT - BM

RICAMBI / SPARE PARTS

9813

PROLUNGA / MIXER EXTENSION

00100CRPRR

OPTIONAL: Scatola incasso per cartongesso / Built-in box for drywall and cavity wall **09702PBOX**

FINITURE E COLORI / FINISHES AND COLOURS

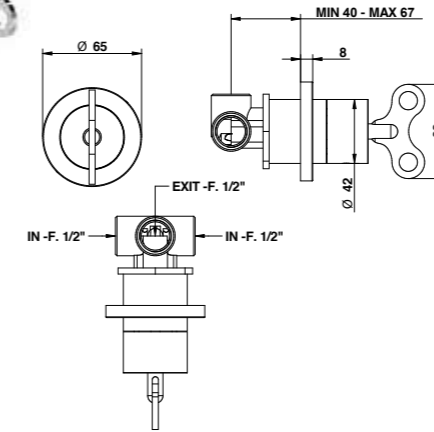


* NSHC H: Calda / Hot - C: Fredda / Cold



63524/RP

Miscelatore doccia incasso con cartuccia progressiva. Built-in shower mixer with progressive cartridge.



ARTICOLO COMPLETO / COMPLETE ITEM

63524CRRRP
CRCR/CRRS/CRSS/CRBI/CRNE/CRLI/CRSB

PARTE INCASSO BUILT-IN PART **PARTE ESTERNA DA ABBINARE EXTERNAL MATCHING PART**

FINITURE / FINISHES

- 09762**
- 63524CRRRPEU**
CRCR/CRRS/CRSS/CRBI/CRNE/CRLI/CRSB
 - 63524NENERPEU**
NENE/RSRS/BIBI/NSNS
 - 63524FAFARPEU**
FAFA/NMNM/HMHM/CMCM/AMAM/OMOM
 - 63524XXXXRPEU ***
XXXX

* XXXX: Per tutte le altre finiture fattibili riferirsi a questa fascia di prezzo. / Refer to this line of price for all other realizable finishes.

Non disponibile nelle finiture ON - BU - TT - BM / Not available ON - BU - TT - BM

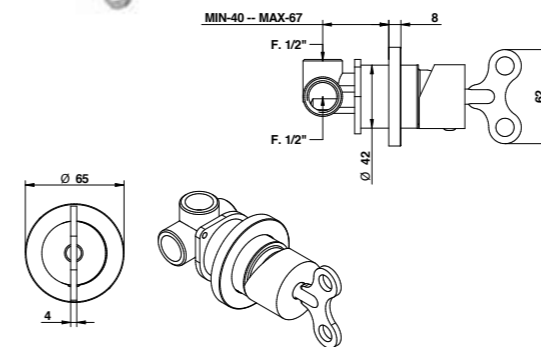
PROLUNGA / MIXER EXTENSION

00100CRPRR

OPTIONAL: Scatola incasso per cartongesso / Built-in box for drywall and cavity wall **09702PBOX**

63324/RP NEW

Miscelatore incasso con cartuccia tradizionale. Built-in mixer with traditional cartridge.



ARTICOLO COMPLETO / COMPLETE ITEM

63324CRRRP
CRCR/CRRS/CRSS/CRBI/CRNE/CRLI/CRSB

PARTE INCASSO BUILT-IN PART **PARTE ESTERNA DA ABBINARE EXTERNAL MATCHING PART**

FINITURE / FINISHES

- 09761**
- 63324CRRRPEU**
CRCR/CRRS/CRSS/CRBI/CRNE/CRLI/CRSB
 - 63324NENERPEU**
NENE/RSRS/BIBI/NSNS
 - 63324FAFARPEU**
FAFA/NMNM/HMHM/CMCM/AMAM/OMOM
 - 63324XXXXRPEU ***
XXXX

* XXXX: Per tutte le altre finiture fattibili riferirsi a questa fascia di prezzo. / Refer to this line of price for all other realizable finishes.

Non disponibile nelle finiture ON - BU - TT - BM / Not available ON - BU - TT - BM

PROLUNGA / MIXER EXTENSION

00100CRPRR

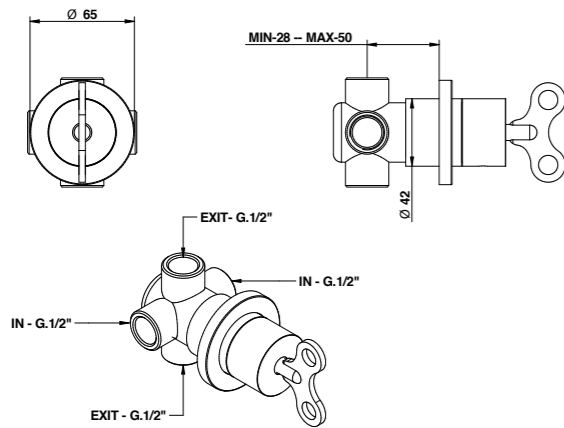
OPTIONAL: Scatola incasso per cartongesso / Built-in box for drywall and cavity wall **09702PBOX**

ACCESSORI E RICAMBI / ACCESSORIES AND SPARE PARTS



63525 NEW

Deviatore a due uscite (2 entrate - 2 uscite).
2 exits built-in diverter (2 in-2 out).



ARTICOLO COMPLETO / COMPLETE ITEM

63525CRCR
CRCR/CRRS/CRSS/CRBI/CRNE/CRLI/CRSB

PARTE INCASSO / BUILT-IN PART **PARTE ESTERNA DA ABBINARE / EXTERNAL MATCHING PART**

09489/2

FINITURE / FINISHES

63525CRCREU
CRCR/CRRS/CRSS/CRBI/CRNE/CRLI/CRSB

63525NENEU
NENE/RSRS/BIBI/NSNS

63525FAFAEU
FAFA/NMNM/HMHM/CMCM/AMAM/OMOM

63525XXXXEU *
XXXX

* XXXX: Per tutte le altre finiture fattibili riferirsi a questa fascia di prezzo. / Refer to this line of price for all other realizable finishes.

Non disponibile nelle finiture ON - BU - TT - BM / Not available ON - BU - TT - BM

PROLUNGA / MIXER EXTENSION

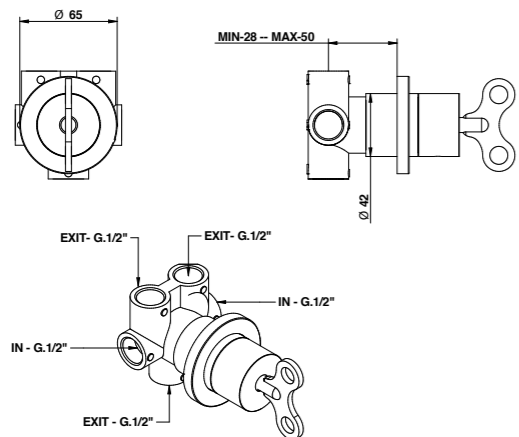
00109CRPR

RICAMBI / SPARE PARTS

00112DMBW

63525/3 NEW

Deviatore incasso a tre uscite (2 entrate-3 uscite).
3 exit built-in diverter (2 in-3 out).



ARTICOLO COMPLETO / COMPLETE ITEM

63525CRCR03
CRCR/CRRS/CRSS/CRBI/CRNE/CRLI/CRSB

PARTE INCASSO / BUILT-IN PART **PARTE ESTERNA DA ABBINARE / EXTERNAL MATCHING PART**

09489/3

FINITURE / FINISHES

63525CRCR03EU
CRCR/CRRS/CRSS/CRBI/CRNE/CRLI/CRSB

63525NENE03EU
NENE/RSRS/BIBI/NSNS

63525FAFA03EU
FAFA/NMNM/HMHM/CMCM/AMAM/OMOM

63525XXXX03EU *
XXXX

* XXXX: Per tutte le altre finiture fattibili riferirsi a questa fascia di prezzo. / Refer to this line of price for all other realizable finishes.

Non disponibile nelle finiture ON - BU - TT - BM / Not available ON - BU - TT - BM

PROLUNGA / MIXER EXTENSION

00109CRPR

RICAMBI / SPARE PARTS

00113DMBW

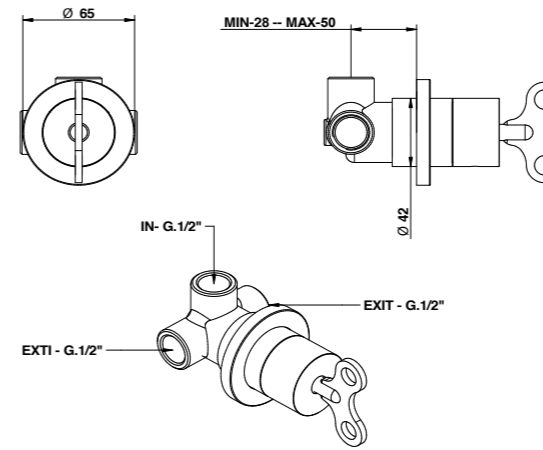
FINITURE E COLORI / FINISHES AND COLOURS



* NSHC H: Calda / Hot - C: Fredda / Cold

63556 NEW

Deviatore a 2 uscite (1 entrata - 2 uscite).
2 exit built-in diverter (1 in-2 out).



ARTICOLO COMPLETO / COMPLETE ITEM

63556CRCR
CRCR/CRRS/CRSS/CRBI/CRNE/CRLI/CRSB

PARTE INCASSO / BUILT-IN PART **PARTE ESTERNA DA ABBINARE / EXTERNAL MATCHING PART**

09491/2

FINITURE / FINISHES

63556CRCREU
CRCR/CRRS/CRSS/CRBI/CRNE/CRLI/CRSB

63556NENEU
NENE/RSRS/BIBI/NSNS

63556FAFAEU
FAFA/NMNM/HMHM/CMCM/AMAM/OMOM

63556XXXXEU *
XXXX

* XXXX: Per tutte le altre finiture fattibili riferirsi a questa fascia di prezzo. / Refer to this line of price for all other realizable finishes.

Non disponibile nelle finiture ON - BU - TT - BM / Not available ON - BU - TT - BM

PROLUNGA / MIXER EXTENSION

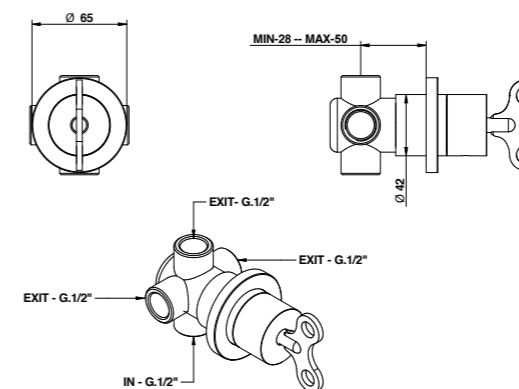
00109CRPR

RICAMBI / SPARE PARTS

9808/2

63556/3 NEW

Deviatore incasso a tre uscite (1 entrata-3 uscite).
3 exit built-in diverter (1 in-3 out).



ARTICOLO COMPLETO / COMPLETE ITEM

63556CRCR03
CRCR/CRRS/CRSS/CRBI/CRNE/CRLI/CRSB

PARTE INCASSO / BUILT-IN PART **PARTE ESTERNA DA ABBINARE / EXTERNAL MATCHING PART**

09494

FINITURE / FINISHES

63556CRCR03EU
CRCR/CRRS/CRSS/CRBI/CRNE/CRLI/CRSB

63556NENE03EU
NENE/RSRS/BIBI/NSNS

63556FAFA03EU
FAFA/NMNM/HMHM/CMCM/AMAM/OMOM

63556XXXX03EU *
XXXX

* XXXX: Per tutte le altre finiture fattibili riferirsi a questa fascia di prezzo. / Refer to this line of price for all other realizable finishes.

Non disponibile nelle finiture ON - BU - TT - BM / Not available ON - BU - TT - BM

PROLUNGA / MIXER EXTENSION

00109CRPR

RICAMBI / SPARE PARTS

9808

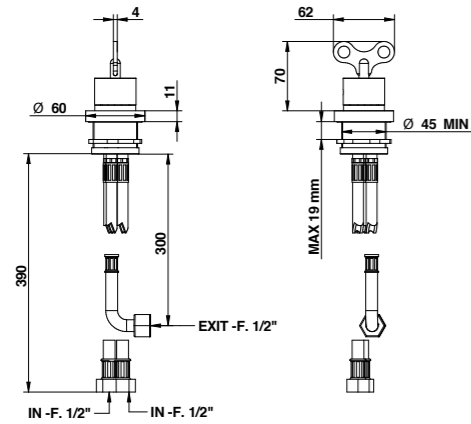
ACCESSORI E RICAMBI / ACCESSORIES AND SPARE PARTS



63510

Miscelatore bordo piano con cartuccia progressiva.

Mixer for deck installation with progressive cartridge.



ARTICOLO COMPLETO / COMPLETE ITEM

63510CRCR
CRCR/CRRS/CRSS/CRBI/CRNE/CRLI/CRSB

63510NENE
NENE/RSRS/BIBI/NSNS

63510FAFA
FAFA/NMNM/HMHM/CMCM/AMAM/OMOM

63510XXXX*
XXXX

* XXXX: Per tutte le altre finiture fattibili riferirsi a questa fascia di prezzo. / Refer to this line of price for all other realizable finishes.

Disponibile con cartuccia tradizionale. / Available with traditional cartridge.

Non disponibile nelle finiture ON - BU - TT - BM / Not available ON - BU - TT - BM

ABBINABILE A / TO MATCH WITH:
Bocca / Spout - **00985/70-90**

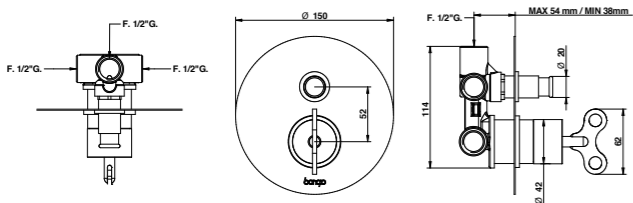
RICAMBI / SPARE PARTS

	9890
--	-------------

63529

Miscelatore incasso con deviatore automatico a 2 uscite e cartuccia progressiva.

Built-in mixer with 2 way automatic diverter and progressive cartridge.



ARTICOLO COMPLETO / COMPLETE ITEM

63529CRCR
CRCR/CRRS/CRSS/CRBI/CRNE/CRLI/CRSB

Non disponibile nelle finiture ON - BU - TT - BM / Not available ON - BU - TT - BM

Il corpo incasso non può essere anticipato. / Built-in body cannot be delivered separately in advance.

PROLUNGA / MIXER EXTENSION

	00102CRPRR
--	-------------------

OPTIONAL: Scatola incasso per cartongesso / Built-in box for drywall and cavity wall **09702PBOX**

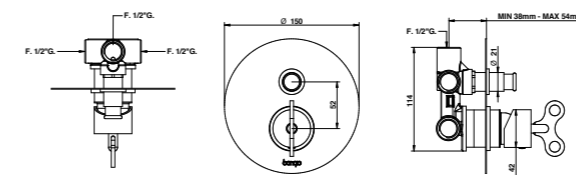
RICAMBI / SPARE PARTS

	9890		00114CRPR
--	-------------	--	------------------

63329 NEW

Miscelatore incasso con deviatore automatico a 2 uscite e cartuccia tradizionale.

Built-in mixer with 2 way automatic diverter and traditional cartridge.



ARTICOLO COMPLETO / COMPLETE ITEM

63329CRCR
CRCR/CRRS/CRSS/CRBI/CRNE/CRLI/CRSB

Non disponibile nelle finiture ON - BU - TT - BM / Not available ON - BU - TT - BM

Il corpo incasso non può essere anticipato. / Built-in body cannot be delivered separately in advance.

PROLUNGA / MIXER EXTENSION

	00102CRPRR
--	-------------------

OPTIONAL: Scatola incasso per cartongesso / Built-in box for drywall and cavity wall **09702PBOX**

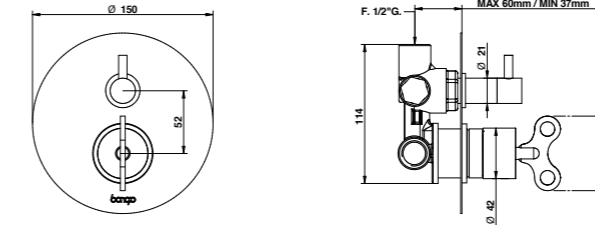
RICAMBI / SPARE PARTS

	9813		00114CRRP
--	-------------	--	------------------

63519

Miscelatore incasso con deviatore meccanico a 2 uscite con cartuccia progressiva.

Built-in mixer with 2 way mechanical diverter with progressive cartridge.



ARTICOLO COMPLETO / COMPLETE ITEM

63519CRCR
CRCR/CRRS/CRSS/CRBI/CRNE/CRLI/CRSB

PARTE INCASSO BUILT-IN PART **PARTE ESTERNA DA ABBINARE EXTERNAL MATCHING PART**

FINITURE / FINISHES

09764	63519CRCREU CRCR/CRRS/CRSS/CRBI/CRNE/CRLI/CRSB
	63519NENEU NENE/RSRS/BIBI/NSNS
	63519FAFAEU FAFA/NMNM/HMHM/CMCM/AMAM/OMOM
	63519XXXXEU* XXXX

* XXXX: Per tutte le altre finiture fattibili riferirsi a questa fascia di prezzo. / Refer to this line of price for all other realizable finishes.

Non disponibile nelle finiture ON - BU - TT - BM / Not available ON - BU - TT - BM

PROLUNGA / MIXER EXTENSION

	00102CRPRP3
--	--------------------

OPTIONAL: Scatola incasso per cartongesso / Built-in box for drywall and cavity wall **09702PBOX**

RICAMBI / SPARE PARTS

	9890		9861
--	-------------	--	-------------

FINITURE E COLORI / FINISHES AND COLOURS



* NSHC H: Calda / Hot - C: Fredda / Cold



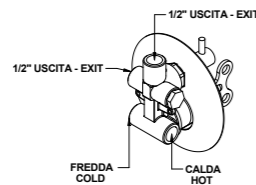
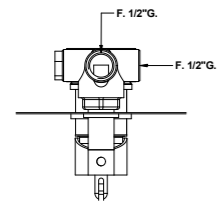
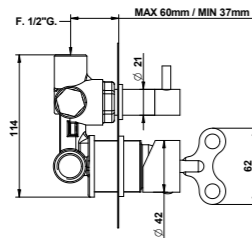
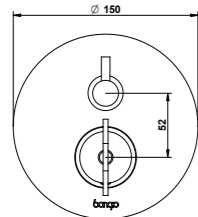
ACCESSORI E RICAMBI / ACCESSORIES AND SPARE PARTS



63319 NEW

Miscelatore incasso con deviatore meccanico a 2 uscite con cartuccia tradizionale.

Built-in mixer with 2 way mechanical diverter with traditional cartridge.



ARTICOLO COMPLETO / COMPLETE ITEM

63319CRCR
CRCR/CRRS/CRSS/CRBI/CRNE/CRLI/CRSB

PARTE INCASSO BUILT-IN PART
PARTE ESTERNA DA ABBINARE EXTERNAL MATCHING PART

FINITURE / FINISHES

09763

63319CRCREU
CRCR/CRRS/CRSS/CRBI/CRNE/CRLI/CRSB

63319NENEU
NENE/RSRS/BIBI/NSNS

63319FAFAEU
FAFA/NMNM/HMHM/CMCM/AMAM/OMOM

63319XXXXEU *
XXXX

* XXXX: Per tutte le altre finiture fattibili riferirsi a questa fascia di prezzo. / Refer to this line of price for all other realizable finishes.

Non disponibile nelle finiture ON - BU - TT - BM / Not available ON - BU - TT - BM

PROLUNGA / MIXER EXTENSION

00102CRPRP3

OPTIONAL: Scatola incasso per cartongesso / Built-in box for drywall and cavity wall **09702PBOX**

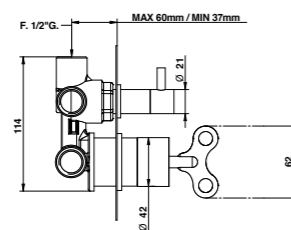
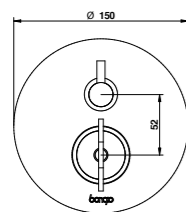
RICAMBI / SPARE PARTS

9813	9861
-------------	-------------

63519/3

Miscelatore incasso con deviatore meccanico a 3 uscite e cartuccia progressiva.

Built-in mixer with 3 way mechanical diverter with progressive cartridge.



ARTICOLO COMPLETO / COMPLETE ITEM

63519CRCR03
CRCR/CRRS/CRSS/CRBI/CRNE/CRLI/CRSB

PARTE INCASSO BUILT-IN PART
PARTE ESTERNA DA ABBINARE EXTERNAL MATCHING PART

FINITURE / FINISHES

9764/3

63519CRCR03EU
CRCR/CRRS/CRSS/CRBI/CRNE/CRLI/CRSB

63519NENE03EU
NENE/RSRS/BIBI/NSNS

63519FAFA03EU
FAFA/NMNM/HMHM/CMCM/AMAM/OMOM

63519XXXX03EU *
XXXX

* XXXX: Per tutte le altre finiture fattibili riferirsi a questa fascia di prezzo. / Refer to this line of price for all other realizable finishes.

Non disponibile nelle finiture ON - BU - TT - BM / Not available ON - BU - TT - BM

PROLUNGA / MIXER EXTENSION

00102CRPRP3

OPTIONAL: Scatola incasso per cartongesso / Built-in box for drywall and cavity wall **09702PBOX**

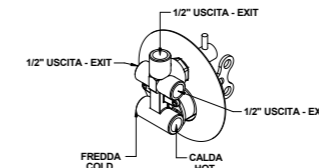
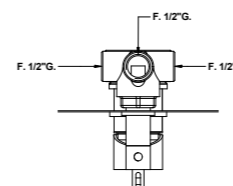
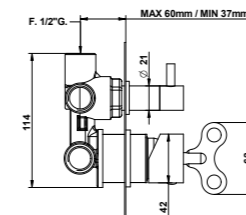
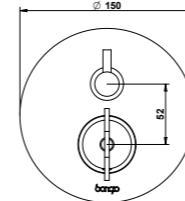
RICAMBI / SPARE PARTS

9890	9860
-------------	-------------

63319/3

Miscelatore incasso con deviatore meccanico a 3 uscite con cartuccia tradizionale.

Built-in mixer with 3 way mechanical diverter with traditional cartridge.



ARTICOLO COMPLETO / COMPLETE ITEM

63319CRCR03
CRCR/CRRS/CRSS/CRBI/CRNE/CRLI/CRSB

PARTE INCASSO BUILT-IN PART
PARTE ESTERNA DA ABBINARE EXTERNAL MATCHING PART

FINITURE / FINISHES

09763/3

63319CRCR03EU
CRCR/CRRS/CRSS/CRBI/CRNE/CRLI/CRSB

63319NENE03EU
NENE/RSRS/BIBI/NSNS

63319FAFA03EU
FAFA/NMNM/HMHM/CMCM/AMAM/OMOM

63319XXXX03EU *
XXXX

* XXXX: Per tutte le altre finiture fattibili riferirsi a questa fascia di prezzo. / Refer to this line of price for all other realizable finishes.

Non disponibile nelle finiture ON - BU - TT - BM / Not available ON - BU - TT - BM

PROLUNGA / MIXER EXTENSION

00102CRPRP3

OPTIONAL: Scatola incasso per cartongesso / Built-in box for drywall and cavity wall **09702PBOX**

RICAMBI / SPARE PARTS

9813	9860
-------------	-------------

63544

Termostatico incasso coassiale 1/2".

Built-in coaxial 1/2" thermostatic mixer.



ARTICOLO COMPLETO / COMPLETE ITEM

63544CRCR
CRCR/CRRS/CRSS/CRBI/CRNE/CRLI/CRSB

63544NENE *
NENE/RSRS/BIBI/NSNS

63544FAFA *
FAFA/NMNM/HMHM/CMCM/AMAM/OMOM

63544XXXX □
XXXX

* Nelle varianti colore verniciate e satinare alcuni particolari saranno in finitura galvanica per garantire gli standard qualitativi. / To assure our quality standard on colored product, some details remain in chrome.
□ XXXX: Per tutte le altre finiture fattibili riferirsi a questa fascia di prezzo. / Refer to this line of price for all other realizable finishes.

Pressione dinamica minima di utilizzo: 3 bar
Portata a pressione dinamica: 3 bar - 20,5 l/min - 38° Mix / Minimum dynamic pressure of use: 3 bar
Flow rates at dynamic pressure: 3 bar - 20,5 l/min - 38° Mix

Non disponibile nelle finiture ON - BU - TT - BM / Not available ON - BU - TT - BM

Il corpo incasso non può essere anticipato. / Built-in body cannot be delivered separately in advance.

PROLUNGA / MIXER EXTENSION

00107CRPR

OPTIONAL: Scatola incasso per cartongesso / Built-in box for drywall and cavity wall **09702PBOX**

RICAMBI / SPARE PARTS

9811

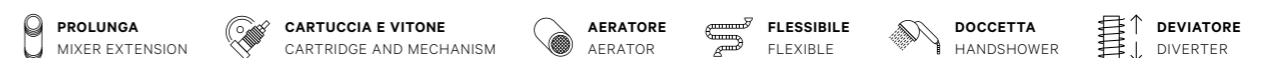
FINITURE E COLORI / FINISHES AND COLOURS



* NSHC H: Calda / Hot - C: Fredda / Cold

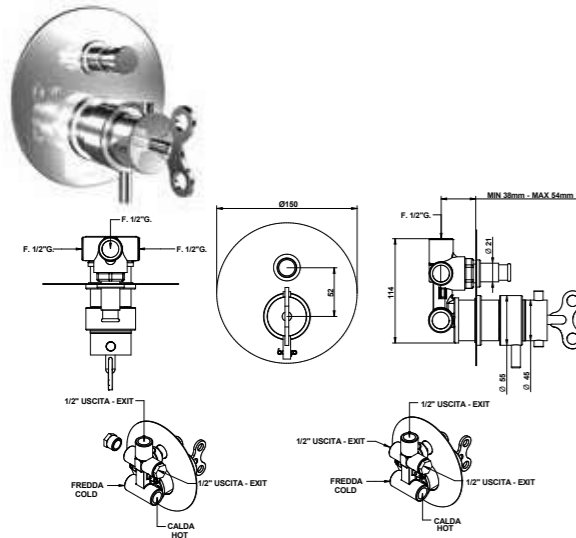


ACCESSORI E RICAMBI / ACCESSORIES AND SPARE PARTS



63549

Termostatico incasso coassiale con deviatore automatico a 2 uscite. / Coaxial built-in thermostatic mixer with 2 way automatic diverter.



RICAMBI / SPARE PARTS

	9811		00114CRPR
--	-------------	--	------------------

ARTICOLO COMPLETO / COMPLETE ITEM

63549CRCR
CRCR/CRRS/CRSS/CRBI/CRNE/CRLI/CRSB

63549NENE*
NENE/RSRS/BIBI/NSNS

63549FAFA*
FAFA/NMNM/HMNM/CMCM/AMAM/OMOM

63549XXXX[Ⓢ]
XXXX

* Nelle varianti colore verniciate e satinare alcuni particolari saranno in finitura galvanica per garantire gli standard qualitativi. / To assure our quality standard on colored and satin product, some details remain in galvanic finishes.
[Ⓢ] XXXX: Per tutte le altre finiture fattibili riferirsi a questa fascia di prezzo. / Refer to this line of price for all other realizable finishes.

Pressione dinamica minima di utilizzo: 3 bar
 Portata a pressione dinamica: 3 bar - 20,5 l/min - 38° Mix / Minimum dynamic pressure of use: 3 bar
 Flow rates at dynamic pressure: 3 bar - 20,5 l/min - 38° Mix

Non disponibile nelle finiture ON - BU - TT - BM / Not available ON - BU - TT - BM

Il corpo incasso non può essere anticipato. / Built-in body cannot be delivered separately in advance.

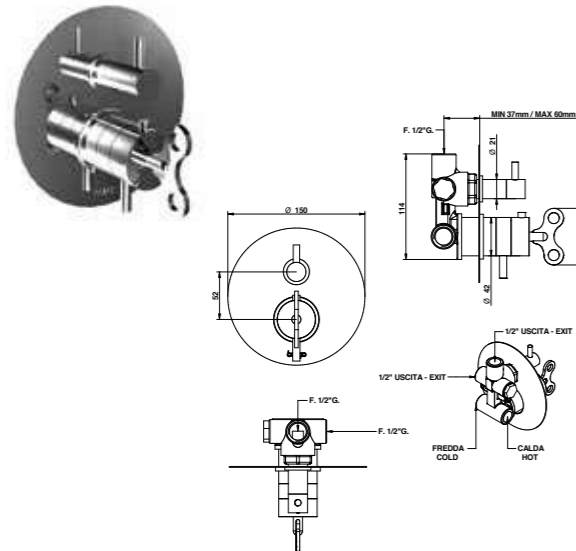
PROLUNGA / MIXER EXTENSION

	00102CRPRP3
--	--------------------

OPTIONAL: Scatola incasso per cartongesso / Built-in box for drywall and cavity wall **09702PBOX**

63569

Miscelatore termostatico incasso coassiale con deviatore meccanico a 2 uscite. / Coaxial built-in thermostatic mixer with 2 way mechanical diverter.



RICAMBI / SPARE PARTS

	9250		9861
--	-------------	--	-------------

ARTICOLO COMPLETO / COMPLETE ITEM

63569CRCR
CRCR/CRRS/CRSS/CRBI/CRNE/CRLI/CRSB

PARTE INCASSO BUILT-IN PART **PARTE ESTERNA DA ABBINARE EXTERNAL MATCHING PART**

09766

FINITURE / FINISHES

63569CRCREU
CRCR/CRRS/CRSS

63569NENEU*
NENE/RSRS/BIBI/NSNS

63569FAFAEU*
FAFA/NMNM/HMNM/CMCM/AMAM/OMOM

63569XXXXEU[Ⓢ]
XXXX

* Nelle varianti colore verniciate e satinare alcuni particolari saranno in finitura galvanica per garantire gli standard qualitativi. / To assure our quality standard on colored and satin product, some details remain in galvanic finishes.
[Ⓢ] XXXX: Per tutte le altre finiture fattibili riferirsi a questa fascia di prezzo. / Refer to this line of price for all other realizable finishes.

Pressione dinamica minima di utilizzo: 3 bar
 Portata a pressione dinamica: 3 bar - 20,5 l/min - 38° Mix / Minimum dynamic pressure of use: 3 bar
 Flow rates at dynamic pressure: 3 bar - 20,5 l/min - 38° Mix

Non disponibile nelle finiture ON - BU - TT - BM / Not available ON - BU - TT - BM

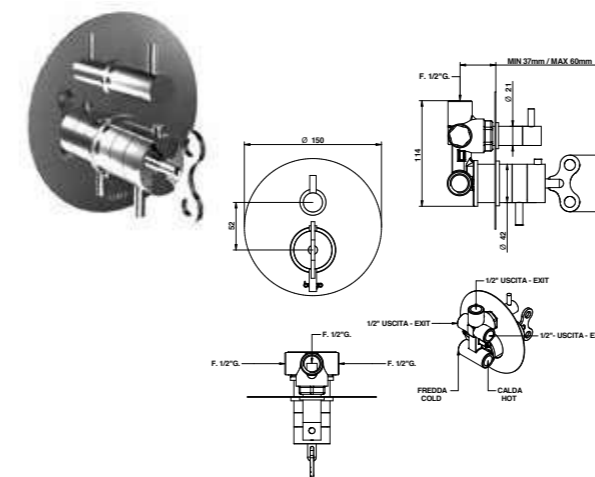
PROLUNGA / MIXER EXTENSION

	00102CRPRP3
--	--------------------

OPTIONAL: Scatola incasso per cartongesso / Built-in box for drywall and cavity wall **09702PBOX**

63569/3

Miscelatore termostatico incasso coassiale con deviatore meccanico a 3 uscite. / Coaxial built-in thermostatic mixer with 3 way mechanical diverter.



RICAMBI / SPARE PARTS

	9250		9860
--	-------------	--	-------------

ARTICOLO COMPLETO / COMPLETE ITEM

63569CRCR03
CRCR/CRRS/CRSS/CRBI/CRNE/CRLI/CRSB

PARTE INCASSO BUILT-IN PART **PARTE ESTERNA DA ABBINARE EXTERNAL MATCHING PART**

09766/3

FINITURE / FINISHES

63569CRCR03EU
CRCR/CRRS/CRSS

63569NENE03EU*
NENE/RSRS/BIBI/NSNS

63569FAFA03EU*
FAFA/NMNM/HMNM/CMCM/AMAM/OMOM

63569XXXX03EU[Ⓢ]
XXXX

* Nelle varianti colore verniciate e satinare alcuni particolari saranno in finitura galvanica per garantire gli standard qualitativi. / To assure our quality standard on colored product, some details remain in chrome.
[Ⓢ] XXXX: Per tutte le altre finiture fattibili riferirsi a questa fascia di prezzo. / Refer to this line of price for all other realizable finishes.

Pressione dinamica minima di utilizzo: 3 bar
 Portata a pressione dinamica: 3 bar - 20,5 l/min - 38° Mix / Minimum dynamic pressure of use: 3 bar
 Flow rates at dynamic pressure: 3 bar - 20,5 l/min - 38° Mix

Non disponibile nelle finiture ON - BU - TT - BM / Not available ON - BU - TT - BM

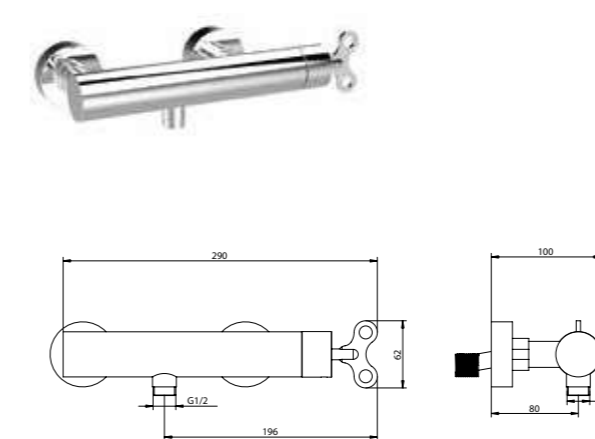
PROLUNGA / MIXER EXTENSION

	00102CRPRP3
--	--------------------

OPTIONAL: Scatola incasso per cartongesso / Built-in box for drywall and cavity wall **09702PBOX**

63523

Miscelatore doccia esterno con cartuccia progressiva. / External shower mixer with progressive cartridge.



ARTICOLO COMPLETO / COMPLETE ITEM

63523CRCR
CRCR/CRRS/CRSS/CRBI/CRNE/CRLI/CRSB

63523NENE
NENE/RSRS/BIBI/NSNS

63523FAFA
FAFA

63523XXXX*
XXXX

* XXXX: Per tutte le altre finiture fattibili riferirsi a questa fascia di prezzo. / Refer to this line of price for all other realizable finishes.

Non disponibile nelle finiture ON - BU - TT - BM / Not available ON - BU - TT - BM

ABBINABILE A / TO MATCH WITH:
Asta saliscendi / Sliding rail - **870**

RICAMBI / SPARE PARTS

	9890
--	-------------

FINITURE E COLORI / FINISHES AND COLOURS



* NSHC H: Calda / Hot - C: Fredda / Cold



ACCESSORI E RICAMBI / ACCESSORIES AND SPARE PARTS

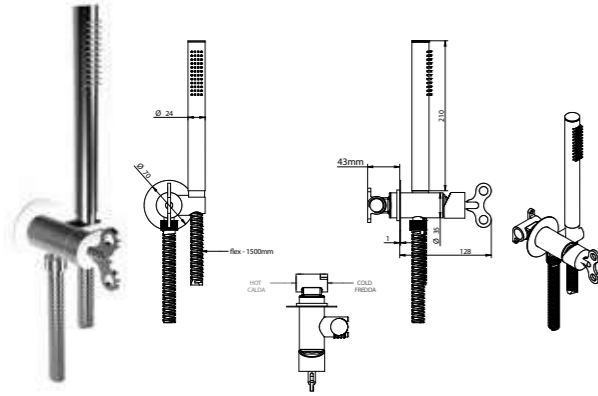


63915 MISCELATORE INTEGRATO / INTEGRATED MIXER

Set doccia ad incasso con miscelatore tradizionale integrato ad uso doccia, vasca e bidet completo di doccetta.

Duplex shower set with integrated traditional mixer for shower/bathtub and bidet.

Dettaglio flessibili / Flexible details pag. 42



RICAMBI / SPARE PARTS

	9820/32		9600CR
	00850CROE		00850XX00 *
	9600XXPV □		

* Ricambio per finiture diverse dal cromo. / Spare part for different finishes.
 □ Per le finiture verniciate e satinare il flessibile verrà fornito in PVC nero. / The flexible hose will be supplied in black PVC for painted and matt finishes.

ARTICOLO COMPLETO / COMPLETE ITEM

63915CRCR
 CRCR/CRRS/CRSS/CRBI/CRNE/CRLI/CRSB

PARTE INCASSO / BUILT-IN PART **PARTE ESTERNA DA ABBINARE** / EXTERNAL MATCHING PART

FINITURE / FINISHES

09490/CT

63915CRCREU
 CRCR/CRRS/CRSS

63915NENEEU
 NENE/RSRS/BIBI/NSNS

63915FAFAEU
 FAFA/NMNM/HMHM/CMCM/AMAM/OMOM

63915XXXXEU *
 XXXX

* XXXX: Per tutte le altre finiture fattibili riferirsi a questa fascia di prezzo. / Refer to this line of price for all other realizable finishes.

Non disponibile nelle finiture ON - BU - TT - BM / Not available ON - BU - TT - BM

PROLUNGA / MIXER EXTENSION

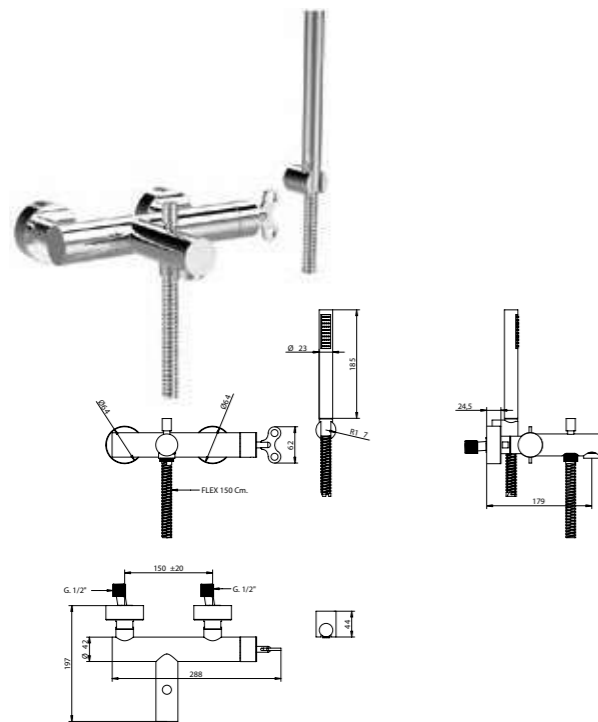
	00916CRPR
--	-----------

63526/D

Miscelatore vasca esterno completo di set doccia e cartuccia progressiva.

External bath and shower mixer with duplex shower set with progressive cartridge.

Dettaglio flessibili / Flexible details pag. 42



ARTICOLO COMPLETO / COMPLETE ITEM

63526CRCR0D
 CRCR/CRRS/CRSS/CRBI/CRNE/CRLI/CRSB

63526NENEOD *
 NENE/RSRS/BIBI/NSNS

63526FAFAOD *
 FAFA/NMNM/HMHM/CMCM/AMAM/OMOM

63526XXXXOD □
 XXXX

* Nelle varianti colore verniciate e satinare alcuni particolari saranno in finitura galvanica per garantire gli standard qualitativi. / To assure our quality standard on colored and satin product, some details remain in galvanic finishes.

□ XXXX: Per tutte le altre finiture fattibili riferirsi a questa fascia di prezzo. / Refer to this line of price for all other realizable finishes.

Non disponibile nelle finiture ON - BU - TT - BM / Not available ON - BU - TT - BM

RICAMBI / SPARE PARTS

	9890		9997CR
	9600CR		00850CROE
	00136CR		00850XX00 *
	9600XXPV □		

* Ricambio per finiture diverse dal cromo. / Spare part for different finishes.
 □ Per le finiture verniciate e satinare il flessibile verrà fornito in PVC nero. / The flexible hose will be supplied in black PVC for painted and matt finishes.

FINITURE E COLORI / FINISHES AND COLOURS



* NSHC H: Calda / Hot - C: Fredda / Cold

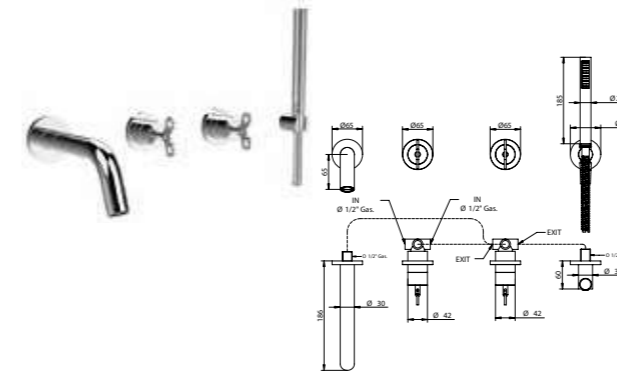


63530/D

Gruppo vasca incasso con set doccia e cartuccia progressiva.

Built-in bath and shower mixer with shower set and progressive cartridge.

Dettaglio flessibili / Flexible details pag. 42



RICAMBI / SPARE PARTS

	9890		9373
	9600CR		00850CROE
	9821		00850XX00 *
	9600XXPV □		

* Ricambio per finiture diverse dal cromo. / Spare part for different finishes.
 □ Per le finiture verniciate e satinare il flessibile verrà fornito in PVC nero. / The flexible hose will be supplied in black PVC for painted and matt finishes.

ARTICOLO COMPLETO / COMPLETE ITEM

63530CRCR0D
 CRCR/CRRS/CRSS/CRBI/CRNE/CRLI/CRSB

PARTE INCASSO / BUILT-IN PART **PARTE ESTERNA DA ABBINARE** / EXTERNAL MATCHING PART

FINITURE / FINISHES

09680/AC

63530CRCRODEU
 CRCR/CRRS/CRSS

63530NENEODEU
 NENE/RSRS

63530FAFAODEU *
 FAFA/NMNM/HMHM/CMCM/AMAM/OMOM

63530XXXXODEU *
 XXXX

* XXXX: Per tutte le altre finiture fattibili riferirsi a questa fascia di prezzo. / Refer to this line of price for all other realizable finishes.

Non disponibile nelle finiture ON - BU - TT - BM / Not available ON - BU - TT - BM

PROLUNGA / MIXER EXTENSION

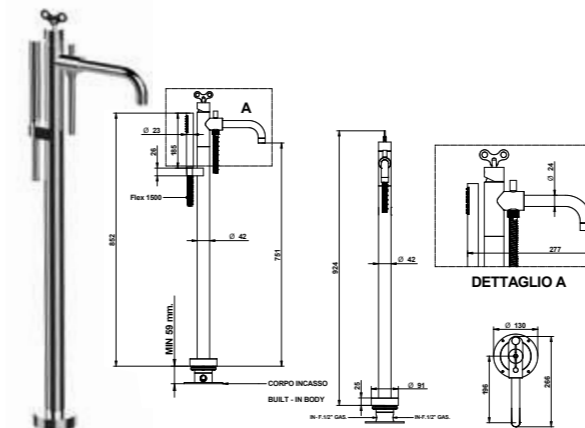
	00100CRPRR		00109CRCR
--	------------	--	-----------

63334/D

Miscelatore vasca a pavimento con set doccia e cartuccia tradizionale.

Floor mounted bath mixer with shower set and traditional cartridge.

Dettaglio flessibili / Flexible details pag. 42



RICAMBI / SPARE PARTS

	9812		9996CR
	9600CR		00850CROE
	00116CR		00850XX00 *
	9600XXPV □		

* Ricambio per finiture diverse dal cromo. / Spare part for different finishes.
 □ Per le finiture verniciate e satinare il flessibile verrà fornito in PVC nero. / The flexible hose will be supplied in black PVC for painted and matt finishes.

ARTICOLO COMPLETO / COMPLETE ITEM

63334CRCR0D
 CRCR

PARTE INCASSO / BUILT-IN PART **PARTE ESTERNA DA ABBINARE** / EXTERNAL MATCHING PART

FINITURE / FINISHES

09744

63334CRCRODEU
 CRCR/CRRS/CRSS/CRBI/CRNE/CRLI/CRSB

63334NENEODEU
 NENE/RSRS/NSNS

63334FAFAODEU *
 FAFA/NMNM/HMHM/CMCM/AMAM/OMOM

63534XXXXODEU □
 XX

* Nelle varianti colore verniciate e satinare alcuni particolari saranno in finitura galvanica per garantire gli standard qualitativi. / To assure our quality standard on colored and satin product, some details remain in galvanic finishes.

□ XX: Per tutte le altre finiture fattibili riferirsi a questa fascia di prezzo. / Refer to this line of price for all other realizable finishes.

Non disponibile nelle finiture ON - BU - TT - BM / Not available ON - BU - TT - BM

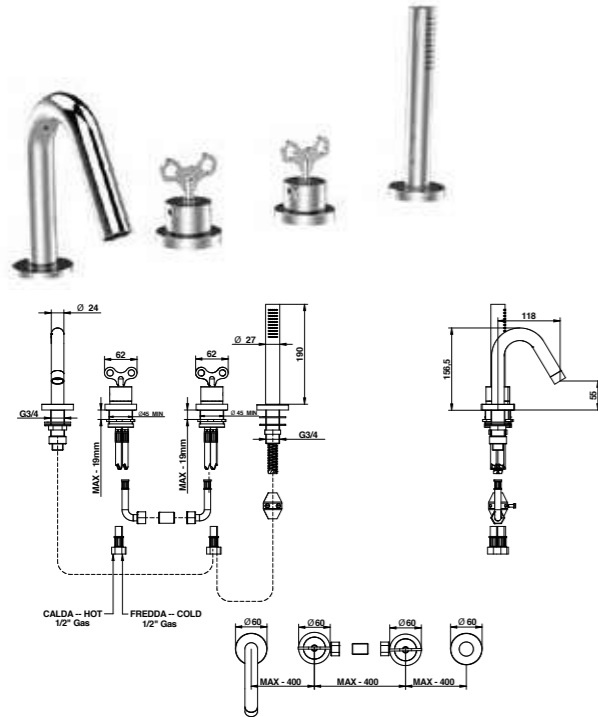
ACCESSORI E RICAMBI / ACCESSORIES AND SPARE PARTS



63531/D

Gruppo bordo vasca con set doccia e cartuccia progressiva.

Bath & shower mixer for deck installation with handshower set and progressive mixer.



ARTICOLO COMPLETO / COMPLETE ITEM

63531CRCR0D
CRCR/CRRS/CRSS/CRBI/CRNE/CRLI/CRSB

63531NENE0D
NENE/RSRS/BIBI/NSNS

63531FAFA0D
FAFA/NMNM/HMHM/CMCM/AMAM/OMOM

63531XXXX0D *
XXXX

* XXXX: Per tutte le altre finiture fattibili riferirsi a questa fascia di prezzo. / Refer to this line of price for all other realizable finishes.

Non disponibile nelle finiture ON - BU - TT - BM / Not available ON - BU - TT - BM

RICAMBI / SPARE PARTS

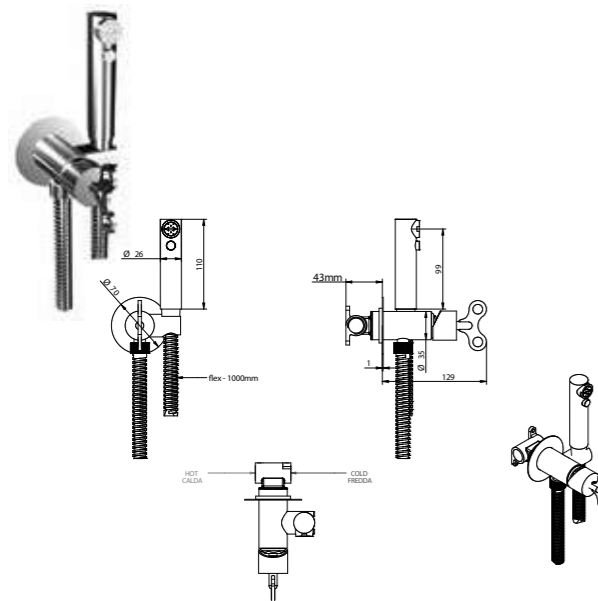
9890	9999CR
9606CR	00850CR0E
9821	00850XX00 *

* Ricambio per finiture diverse dal cromo. / Spare part for different finishes.

63916 MISCELATORE INTEGRATO / INTEGRATED MIXER

Set doccia bidet per wc ad incasso con miscelatore tradizionale integrato e doccetta.

Shattaf shower set for wc with integrated traditional mixer and handshower.



ARTICOLO COMPLETO / COMPLETE ITEM

63916CRCR
CRCR/CRRS/CRSS/CRBI/CRNE/CRLI/CRSB

PARTE INCASSO / BUILT-IN PART **PARTE ESTERNA DA ABBINARE** / EXTERNAL MATCHING PART

09490/CT

FINITURE / FINISHES

63916CRCREU
CRCR/CRRS/CRSS

63916NENEU *
NENE/RSRS/BIBI/NSNS

63916FAFAEU *
FAFA/NMNM/HMHM/CMCM/AMAM/OMOM

63916XXXXEU *
XXXX

* Nelle varianti colore verniciate e satinare alcuni particolari saranno in finitura galvanica per garantire gli standard qualitativi. / To assure our quality standard on colored product, some details remain in chrome.

* XXXX: Per tutte le altre finiture fattibili riferirsi a questa fascia di prezzo. / Refer to this line of price for all other realizable finishes.

Non disponibile nelle finiture ON - BU - TT - BM / Not available ON - BU - TT - BM

PROLUNGA / MIXER EXTENSION

00916CRPR

* Ricambio per finiture diverse dal cromo. / Spare part for different finishes.
* Per le finiture verniciate e satinare il flessibile verrà fornito in PVC nero. / The flexible hose will be supplied in black PVC for painted and matt finishes.

RICAMBI / SPARE PARTS

9820/32	09610CR
00904CRDO	00904XXDO *
9606XPV *	

FINITURE E COLORI / FINISHES AND COLOURS

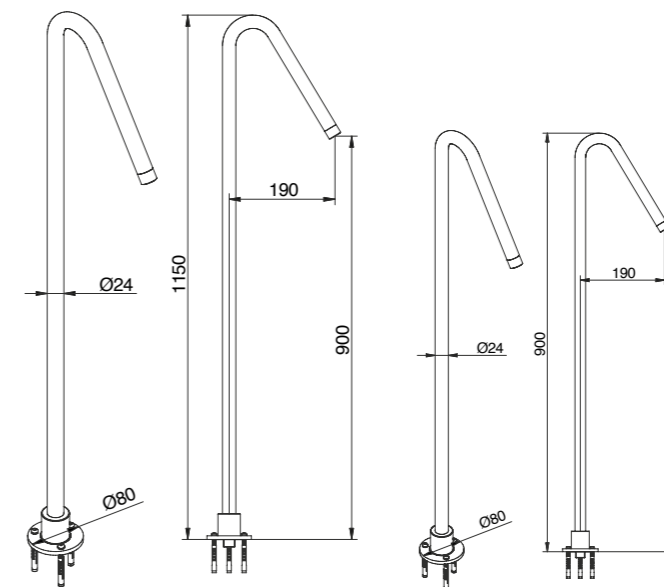


* NSHC H: Calda / Hot - C: Fredda / Cold

985/70-90

Bocca lavabo a pavimento 985/90.
Bocca vasca a pavimento 985/70.

Floor mounted basin spout 985/90.
Floor mounted bath spout 985/70.



ARTICOLO COMPLETO / COMPLETE ITEM

00985CR70
CR

00985CR90
CR

00985NE70
NE/BI/RS/NS/ON

00985NE90
NE/BI/NS/ON

00985NM70
NM/HM/AM/OM/FA/CM/TT/OP/
CN

00985NM90
NM/HM/AM/OM/FA/CM/TT/OP/
CN

Non disponibile nella finitura BU / Not available BU

RICAMBI / SPARE PARTS

9999CR

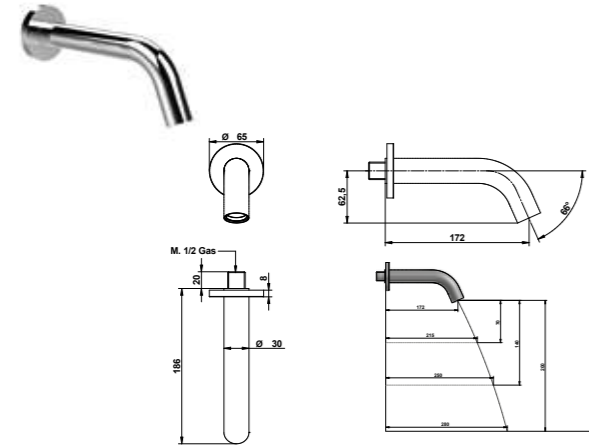
ACCESSORI E RICAMBI / ACCESSORIES AND SPARE PARTS



1008/19

Bocca incasso Ø 30 mm, 186 mm lunghezza, 1/2" M lunghezza.

Built-in spout 30 mms. Ø, 1/2" M 186 mms. long.



ARTICOLO COMPLETO / COMPLETE ITEM

01008CR19
CR

01008NE19
NE/RS/BI/NS/ON/BU

01008FA19
FA/NM/HM/CM/AM/OM/TT/OP/CN

01008XX19*
XX

* XX: Per tutte le altre finiture fattibili riferirsi a questa fascia di prezzo. / Refer to this line of price for all other realizable finishes.

RICAMBI / SPARE PARTS

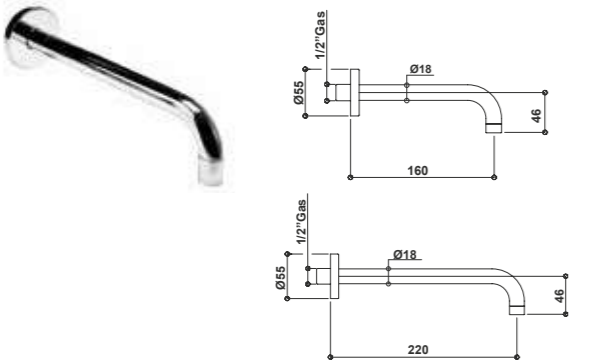


9391

989/16-22

Bocca incasso Ø 18 mm, 160-220 mm lunghezza, 1/2" M.

Built-in spout, 18 mms. Ø, 1/2" M, 160-220 mms. long.



ARTICOLO COMPLETO / COMPLETE ITEM

00989CR16
CR

00989CR22
CR

00989NE16
NE/RS/BI/NS/ON/BU

00989NE22
NE/RS/BI/NS/ON/BU

00989FA16
FA/NM/HM/CM/AM/OM/TT/OP/CN

00989NM22
NM/FA/HM/CM/AM/OM/TT/OP/CN

00989XX16*
XX

00989XX22*
XX

* XX: Per tutte le altre finiture fattibili riferirsi a questa fascia di prezzo. / Refer to this line of price for all other realizable finishes.

OPTIONAL: Rosone standard. / Flange standard. 00252CR00
OPTIONAL: Rosone Ø 80 mm. / Flange Ø 80 mms. 00252CR80

RICAMBI / SPARE PARTS

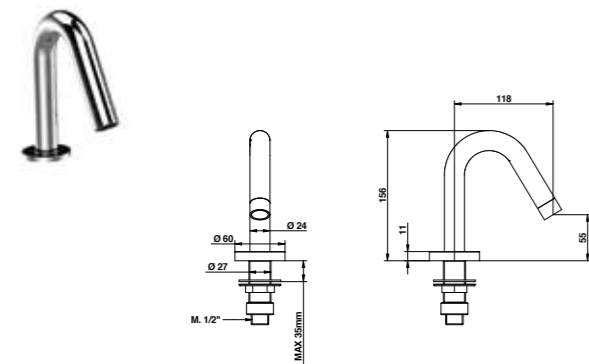


9988CR

970

Bocca bordo piano per vasca.

Deck bath spout.



ARTICOLO COMPLETO / COMPLETE ITEM

00970CR00
CR

00970NE00
NE/RS/BI/NS/ON/BU

00970FA00
FA/NM/HM/CM/AM/OM/TT/OP/CN

RICAMBI / SPARE PARTS



9999CR

FINITURE E COLORI / FINISHES AND COLOURS



* NSHC H: Calda / Hot - C: Fredda / Cold



Art. 01008NS00 + Art. 63500NSRS + Art. 63500NSSS + Art. 63525NSNS + Art. 00830NSOE

ACCESSORI E RICAMBI / ACCESSORIES AND SPARE PARTS



AQUA

DESIGN CENTER DIRECTED BY ANTONIO BONGIO



1

Perfect imperfections

- 1. Art. 40538OR220R
- 2. Art. 30027OR00
- 3. BONGIOCASA Pouf "Sweet In.Grid" Art. SI301BI20



MINIMAL CHIC

L'ambiente luminoso e total white si riflette in un gioco di specchi dove le linee essenziali, ispirate a geometrie curve, e la finitura in oro spazzolato della rubinetteria diventano protagoniste dello spazio. Disponibile in numerose versioni, AQUA - AQUA MARBLE propone un fascino minimal chic di estrema raffinatezza e stile.

The total white and bright environment is reflected in a juxtaposition of mirrors where the essential lines, curved geometries and finishes in brushed gold of the kitchen and bathroom taps become the focus of the living space they decorate. Available in several versions, AQUA - AQUA MARBLE offers a minimal chic appeal that is highly sophisticated and stylish.



2

#WHITEANDGOLD

#PUREVANITY



3



#LUXURY



#FLASHY

LAVABO / WASHBASIN
Art. 40538OP220R

BIDET / BIDET
Art. 40503OP0R

DOCCIA / SHOWER
Art. 40554OP0R
Art. 40498OP0R
Art. 867OPNR
Art. 00790OPPR
Art. 00830OP00

ACCESSORI / ACCESSORIES
Art. 30001OP00
Art. 30007OP40
Art. 30009OP02
Art. 30022OP00
Art. 30027OP00
Art. 30025OP00

DOCCIA / SHOWER
 Art. 40554OPOR
 Art. 40498OPOR
 Art. 00867OPNR
 Art. 00790OPPR
 Art. 00830OP00

BONGIOCASA - POUF "SWEET IN.GRID"
 Art. SI301BI20



LAVABO / WASHBASIN
 Art. 40501OPPO Disponibile su richiesta / Available upon request

LAVABO / WASHBASIN
Art. 40501CNKA



#MARBLETOUCH



LAVABO / WASHBASIN
Art. 40321ORPO



LAVABO / WASHBASIN
Art. 40538OP220R

ACCESSORI / ACCESSORIES
Art. 30027OP00

INFORMAZIONI TECNICHE

Technical details



VITONI: La serie Aqua - Aqua Marble è dotata di vitoni a dischi ceramici da 1/4 giro e cartuccia tradizionale diam 25 mm. La temperatura d'impianto non deve superare i 70°C. La pressione di esercizio dell'impianto consigliata è di 3 bar.

EROGAZIONE: La serie Aqua - Aqua Marble ha un tipo di erogazione morbida. **I lavabi e i bidet sono forniti con limitatore di portata da 6l/m.**

SISTEMI DI DEVIAZIONE: I deviatori Bongio completi sono testati per funzionare da un minimo di 0,5 bar pressione.

INSTALLAZIONE: Tutti gli articoli ad incasso Bongio completi sono forniti di relative parti da incassare.

Gli articoli doccia e vasca esterni hanno un interasse di 15±20 mm.

Per gli articoli lavabo e bidet, monoforo e tre fori, da installarsi su piano devono essere realizzati fori di ø 35 mm. massimo.

NOTA FINITURE FA / TT

I prodotti nelle finiture Ferro Antico (FA) e Terra di Toscana (TT) vengono realizzati con trattamenti manuali e, data la particolare lavorazione artigianale, possono presentare una colorazione non uniforme.

MECHANISM: Aqua - Aqua Marble series has 1/4' turn ceramic disc mechanism and 25 mms. traditional cartridge.

The temperature of the plant should not exceed 70 degrees. The suggested working pressure of the plant has to be 3 bar.

SUPPLY: Aqua - Aqua Marble series has a soft supply. **Basin and bidet mixers have a standard limitation of flow to 6l/m.**

DIVERTING SYSTEMS: Bongio diverters have been tested to work properly starting from a minimum 0,5 bar pressure

INSTALLATION: All the built-in Bongio items are available with universal raw built-in body.

All the external shower and bath mixers have the 15±20 mms. interaxe.




For the basin and bidet mixers - single or three holes - to be place on top deck, they require ø 35 mms maximum holes.

FINISHES NOTE FA / TT

Products in Ferro Antico (FA) and Terra di Toscana (TT) finish are made with manual treatments and may therefore display colour variations due to the particular craftsmanship.

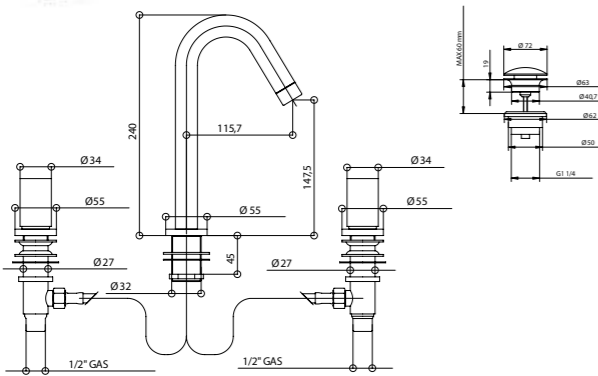
FINITURE E COLORI / FINISHES AND COLOURS

DETTAGLI / MORE INFO PAG. 38

 CR Cromo Chrome	 CN Cromo Nero Black Chrome	 NS Nichel Spazzolato Brushed Nickel	 OR Oro Gold	 OP Oro Spazzolato 24kt 24kt Brushed Gold
 AM Oro Rosa Satinato Matt Rose Gold	 NM Cromo Nero Satinato Matt Black Chrome	 BI Bianco Opaco Matt White	 NE Nero Opaco Matt Black	 OM Oro Satinato Matt Gold
 TT Terra di Toscana Tuscany Bronze	 FA Ferro Antico Old Iron	 BM Bronzo Opaco Matt Bronze	 CM Cromo Satinato Matt Chrome	 IM Nichel Satinato Matt Nickel
 HM Oro Francese Satinato Matt French Gold	 CRPO Cromo + Marmo Portoro / Chrome + Portoro Marble	 CRKA Cromo + Marmo Calacatta / Chrome + Calacatta Marble	 ORPO Oro + Marmo Portoro / Gold + Portoro Marble	 CNKA Cromo Nero + Marmo Calacatta / Black Chrome + Calacatta Marble

40501/R

Gruppo lavabo tre fori con piletta clic-clac. Three holes basin mixer with clicclac waste.



ARTICOLO COMPLETO / COMPLETE ITEM

- 40501CRCR0R**
CRCR
- 40501BIBI0R**
BIBI/BUBU/ONON/NSNS
- 40501CNCN0R**
CNCN/AMAM/NMNM/HMHM/OMOM/BMBM/CMCM/IMIM/OROR
- 40501OPOP0R**
OPOP/TTTT/FAFA
- 40501XXXX0R ***
XXXX

* XX: Per tutte le altre finiture fattibili riferirsi a questa fascia di prezzo. / Refer to this line of price for all other realizable finishes.

ABBINABILE A / TO MATCH WITH:
Sifone / Siphon - **0067CR00**

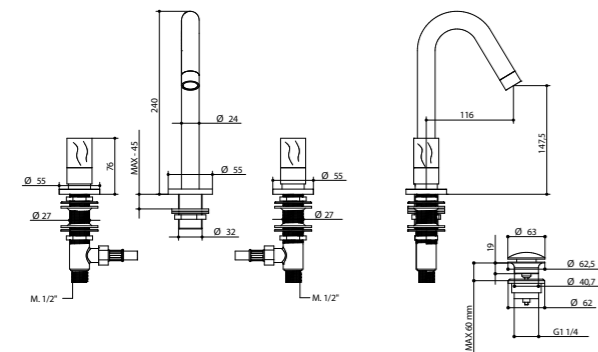
RICAMBI / SPARE PARTS

	9790 *		9790 □
	9999CR		

* Calda / Hot
* Fredda / Cold

40501

Gruppo lavabo tre fori con piletta clic-clac. Three holes basin mixer with clicclac waste.



ARTICOLO COMPLETO / COMPLETE ITEM

- 40501CRKA**
CRKA/CRPO
- 40501CNKA**
CNKA/ORPO
- 40501XXXX ***
XXXX

* XXXX: Per tutte le altre finiture fattibili riferirsi a questa fascia di prezzo. / Refer to this line of price for all other realizable finishes.

ABBINABILE A / TO MATCH WITH:
Sifone / Siphon - **0067CR00**

RICAMBI / SPARE PARTS

	9790 *		9790 □
	9999CR		

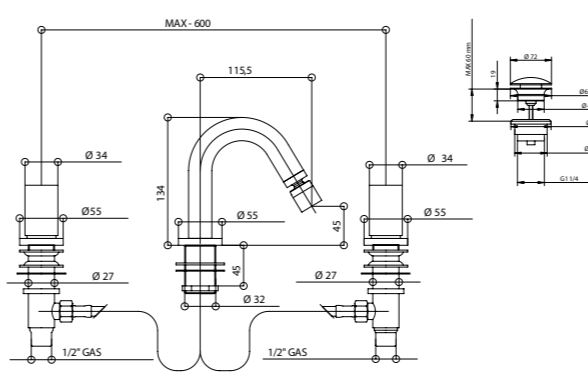
* Calda / Hot
* Fredda / Cold

FINITURE E COLORI / FINISHES AND COLOURS



40503/R

Gruppo bidet tre fori con piletta clic-clac. Three holes bidet mixer with clicclac waste.



ARTICOLO COMPLETO / COMPLETE ITEM

- 40503CRCR0R**
CRCR
- 40503BIBI0R**
BIBI/NENE/BUBU/ONON/NSNS
- 40503CNCN0R**
CNCN/AMAM/NMNM/HMHM/OMOM/CMCM/IMIM/BMBM
- 40503OPOP0R**
OPOP/TTTT/FAFA
- 40503XXXX0R ***
XXXX

* XX: Per tutte le altre finiture fattibili riferirsi a questa fascia di prezzo. / Refer to this line of price for all other realizable finishes.

ABBINABILE A / TO MATCH WITH:
Sifone / Siphon - **0006CR00**

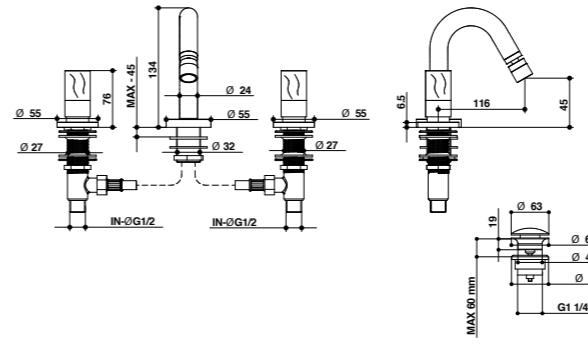
RICAMBI / SPARE PARTS

	9790 *		9790 □
	9980CR		

* Calda / Hot
* Fredda / Cold

40503

Gruppo bidet tre fori con piletta clic-clac. Three holes bidet mixer with clicclac waste.



ARTICOLO COMPLETO / COMPLETE ITEM

- 40503CRKA**
CRKA/CRPO
- 40503CNKA**
CNKA/ORPO
- 40503XXXX ***
XXXX

* XXXX: Per tutte le altre finiture fattibili riferirsi a questa fascia di prezzo. / Refer to this line of price for all other realizable finishes.

ABBINABILE A / TO MATCH WITH:
Sifone / Siphon - **0066CR00**

RICAMBI / SPARE PARTS

	9790 *		9790 □
	9980CR		

* Calda / Hot
* Fredda / Cold

ACCESSORI E RICAMBI / ACCESSORIES AND SPARE PARTS



40538/16-22/R

Gruppo lavabo a parete con bocca 160/220 mm. Wall basin mixer with 160/220 mms. spout.



ARTICOLO COMPLETO / COMPLETE ITEM

40538CRCR160R
CRCR

40538CRCR220R
CRCR

PARTE INCASSO
BUILT-IN PART

PARTE ESTERNA DA ABBINARE
EXTERNAL MATCHING PART

9767/AQ

FINITURE / FINISHES

40538CRCR160REU
CRCR

40538CRCR220REU
CRCR

40538BIBI160REU
BIBI/NENE/BUBU/ONON/
NSNS

40538BIBI220REU
BIBI/NENE/BUBU/ONON/
NSNS

40538CNCN160REU
CNCN/AMAM/NMNM/HMNM/
OMOM/BMBM/CMCM/IMIM/
OROR

40538CNCN220REU
CNCN/AMAM/NMNM/HMNM/
OMOM/BMBM/CMCM/IMIM/
OROR

40538OPOP160REU
OPOP/TTTT/FAFA

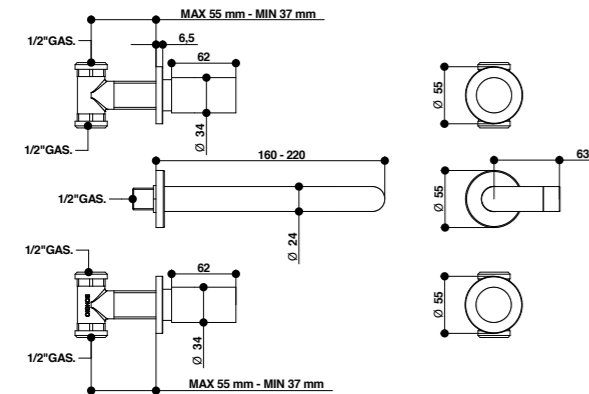
40538OPOP220REU
OPOP/TTTT/FAFA

40538XXXX160REU *
XXXX

40538XXXX220REU *
XXXX

* XX: Per tutte le altre finiture fattibili riferirsi a questa fascia di prezzo. / Refer to this line of price for all other realizable finishes.

ABBINABILE A / TO MATCH WITH:
Sifone / Siphon - **00067CR00**
Piletta clic-clac / Clic-clac waste - **00079CR00**



PROLUNGA / MIXER EXTENSION

00083
2 pz. per articolo Cad. / Each
/ 2 pcs needed

RICAMBI / SPARE PARTS

	9790 *		9790 ◻
	9999CR		

* Calda / Hot
◻ Fredda / Cold

FINITURE E COLORI / FINISHES AND COLOURS



40538/16-22

Gruppo lavabo a parete con bocca 160-220 mm. Wall basin mixer with 160-220 mms. spout.



ARTICOLO COMPLETO / COMPLETE ITEM

40538CRKA16
CRKA/CRPO

40538CRKA22
CRKA/CRPO

PARTE INCASSO
BUILT-IN PART

PARTE ESTERNA DA ABBINARE
EXTERNAL MATCHING PART

9767/AQ

FINITURE / FINISHES

40538CRKA16EU
CRKA/CRPO

40538CRKA22EU
CRKA/CRPO

40538CNKA16EU
CNKA/ORPO

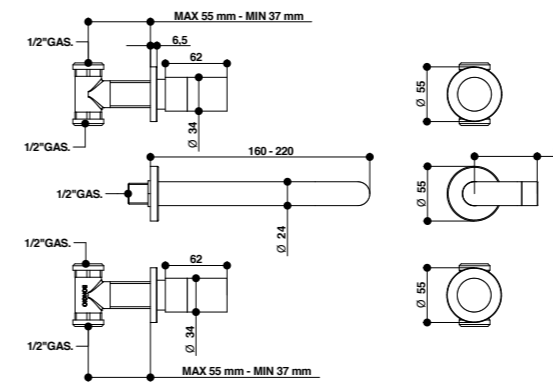
40538CNKA22EU
CNKA/ORPO

40538XXXX16EU *
XXXX

40538XXXX22EU *
XXXX

* XXXX: Per tutte le altre finiture fattibili riferirsi a questa fascia di prezzo. / Refer to this line of price for all other realizable finishes.

ABBINABILE A / TO MATCH WITH:
Sifone / Siphon - **00067CR00**
Piletta clic-clac / Clic-clac waste - **00079CR00**



PROLUNGA / MIXER EXTENSION

00083
2 pz. per articolo Cad. / Each
/ 2 pcs needed

RICAMBI / SPARE PARTS

	9790 *		9790 ◻
	9999CR		

* Calda / Hot
◻ Fredda / Cold

ACCESSORI E RICAMBI / ACCESSORIES AND SPARE PARTS



40538/1A-2A/R

Gruppo lavabo a parete con bocca 160-220 mm completo di connessioni incasso. Wall basin mixer with 160-220 mms. spout complete with built-in connections.



ARTICOLO COMPLETO / COMPLETE ITEM

40538CRCR1AOR
CRCR

40538CRCR2AOR
CRCR

PARTE INCASSO
BUILT-IN PART

09767/AT

PARTE ESTERNA DA ABBINARE
EXTERNAL MATCHING PART

FINITURE / FINISHES

40538CRCR1AOREU
CRCR

40538CRCR2AOREU
CRCR

40538BIBI1AOREU
BIBI/NENE/BUBU/ONON/
NSNS

40538BIBI2AOREU
BIBI/NENE/BUBU/ONON/
NSNS

40538CNCN1AOREU
CNCN/AMAM/NMNM/HMHM/
OMOM/BMBM/CMCM/IMIM/
OROR

40538CNCN2AOREU
CNCN/AMAM/NMNM/HMHM/
OMOM/BMBM/CMCM/IMIM/
OROR

40538OPOP1AOREU
OPOP/TTTT/FAFA

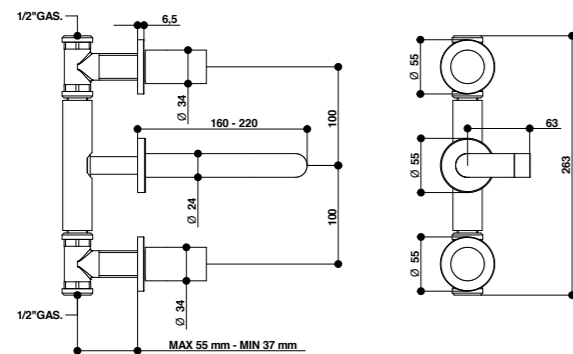
40538OPOP2AOREU
OPOP/TTTT/FAFA

40538XXX1AOREU *
XXXX

40538XXX2AOREU *
XXXX

* XX: Per tutte le altre finiture fattibili riferirsi a questa fascia di prezzo. / Refer to this line of price for all other realizable finishes.

ABBINABILE A / TO MATCH WITH:
Sifone / Siphon - **00067CR00**
Piletta clic-clac / Clic-clac waste - **00079CR00**



PROLUNGA / MIXER EXTENSION

00083
2 pz. per articolo / 2 pcs needed Cad. / Each

RICAMBI / SPARE PARTS

	9790 *		9790 □
	9999CR		

* Calda / Hot
□ Fredda / Cold

FINITURE E COLORI / FINISHES AND COLOURS



40538/1A-2A

Gruppo lavabo a parete con bocca 160-220 mm completo di connessioni incasso. Wall basin mixer with 160-220 mms. spout complete with built-in connections.



ARTICOLO COMPLETO / COMPLETE ITEM

40538CRKA1A
CRKA/CRPO

40538CRKA2A
CRKA/CRPO

PARTE INCASSO
BUILT-IN PART

9768

PARTE ESTERNA DA ABBINARE
EXTERNAL MATCHING PART

FINITURE / FINISHES

40538CRKA1AEU
CRKA/CRPO

40538CRKA2AEU
CRKA/CRPO

40538CNKA1AEU
CNKA/ORPO

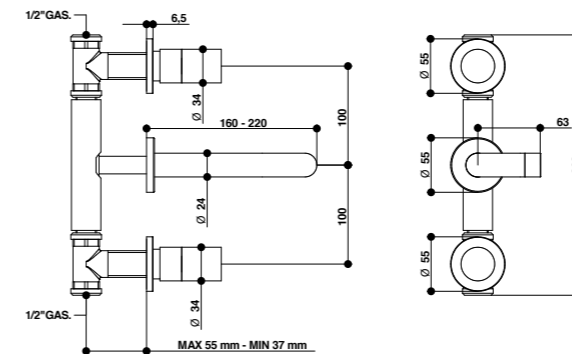
40538CNKA2AEU
CNKA/ORPO

40538XXX1AEU *
XXXX

40538XXX2AEU *
XXXX

* XXXX: Per tutte le altre finiture fattibili riferirsi a questa fascia di prezzo. / Refer to this line of price for all other realizable finishes.

ABBINABILE A / TO MATCH WITH:
Sifone / Siphon - **00067CR00**
Piletta clic-clac acciaio / Clic-clac waste - **00079CR00**



PROLUNGA / MIXER EXTENSION

00083
2 pz. per articolo / 2 pcs needed Cad. / Each

RICAMBI / SPARE PARTS

	9790 *		9790 □
	9999CR		

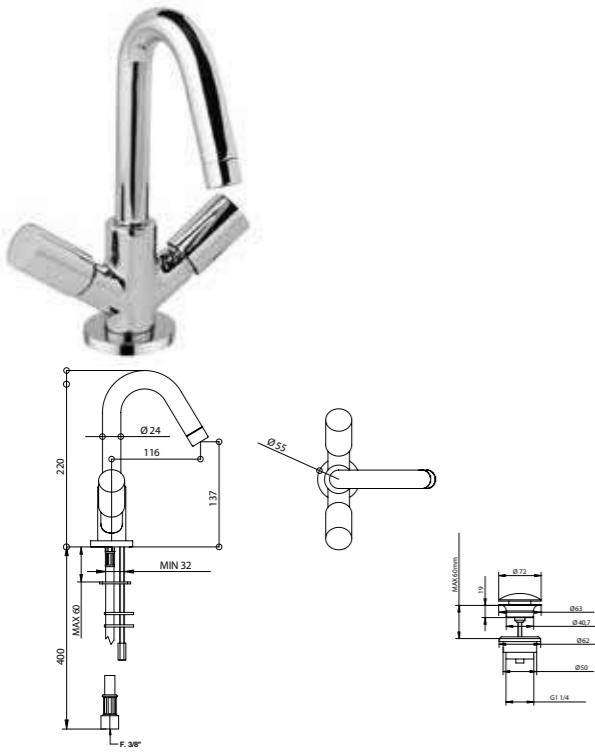
* Calda / Hot
□ Fredda / Cold

ACCESSORI E RICAMBI / ACCESSORIES AND SPARE PARTS



40521/R

Monoforo lavabo con piletta clic-clac. Single hole basin mixer with clicclac waste.



ARTICOLO COMPLETO / COMPLETE ITEM

- 40521CRCR0R**
CRCR
- 40521BIBI0R**
BIBI/NENE/BUBU/ONON/NSNS
- 40521CNCN0R**
CNCN/AMAM/NMNM/HMHM/OMOM/BMBM/CMCM/IMIM/OROR
- 40521OPOP0R**
OPOP/TTTT/FAFA
- 40521XXXX0R ***
XXXX

* XX: Per tutte le altre finiture fattibili riferirsi a questa fascia di prezzo. / Refer to this line of price for all other realizable finishes.

Non disponibile con maniglia in marmo. / Not available with marble handle.

ABBINABILE A / TO MATCH WITH:
Sifone / Siphon - **00067CR00**

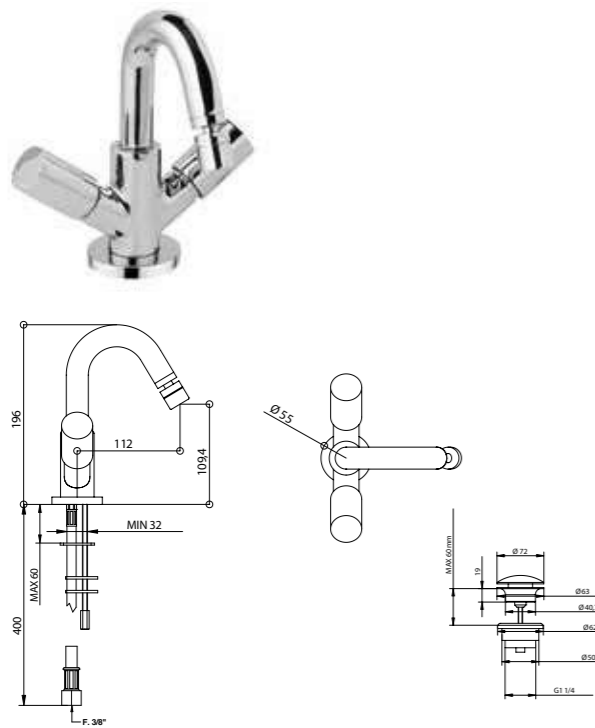
RICAMBI / SPARE PARTS

	9790 *		9789 □
	9999CR		

* Calda / Hot
* Fredda / Cold

40522/R

Monoforo bidet con piletta clicclac. Single hole bidet mixer with clicclac waste.



ARTICOLO COMPLETO / COMPLETE ITEM

- 40522CRCR0R**
CRCR
- 40522BIBI0R**
BIBI/NENE/BUBU/ONON/NSNS
- 40522CNCN0R**
CNCN/AMAM/NMNM/HMHM/OMOM/BMBM/CMCM/IMIM/OROR
- 40522OPOP0R**
OPOP/TTTT/FAFA
- 40522XXXX0R ***
XXXX

* XX: Per tutte le altre finiture fattibili riferirsi a questa fascia di prezzo. / Refer to this line of price for all other realizable finishes.

Non disponibile con maniglia in marmo. / Not available with marble handle.

ABBINABILE A / TO MATCH WITH:
Sifone / Siphon - **00066CR00**

RICAMBI / SPARE PARTS

	9790 *		9789 □
	9980CR		

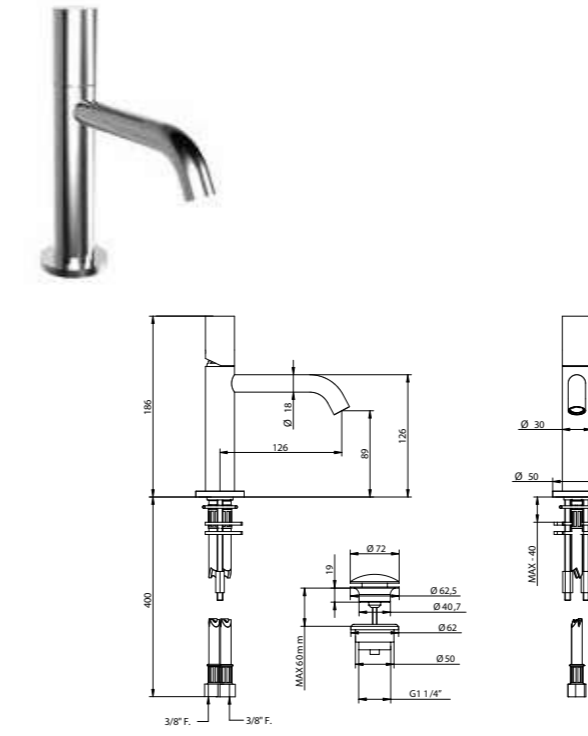
* Calda / Hot
* Fredda / Cold

FINITURE E COLORI / FINISHES AND COLOURS



40321/OR

Miscelatore lavabo con cartuccia tradizionale e piletta clic - clac. Basin Mixer with clic - clac waste.



ARTICOLO COMPLETO / COMPLETE ITEM

- 40321CRCR0R**
CRCR
- 40321NSNS0R**
NSNS/BIBI/NENE/ONON/BUBU
- 40321OROR0R**
OROR
- 40321AMAM0R**
AMAM/OPOP/NMNM/HMHM/OMOM/BMBM/TTTT/FAFA/CMCM/IMIM
- 40321XXXX0R ***
XXXX

* XX: Per tutte le altre finiture fattibili riferirsi a questa fascia di prezzo. / Refer to this line of price for all other realizable finishes.

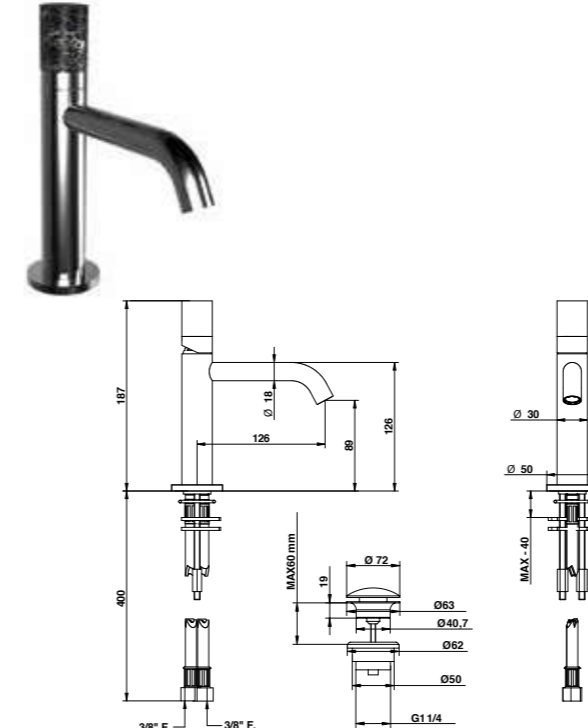
ABBINABILE A / TO MATCH WITH:
Sifone / Siphon - **00067CR00**

RICAMBI / SPARE PARTS

	9870		9392
--	-------------	--	-------------

40321

Miscelatore lavabo con cartuccia tradizionale e piletta clic-clac. Basin mixer with clic-clac waste.



ARTICOLO COMPLETO / COMPLETE ITEM

- 40321CRKA**
CRKA/CRPO
- 40321CNKA**
CNKA/ORPO
- 40321XXXX ***
XXXX

* XXXX: Per tutte le altre finiture fattibili riferirsi a questa fascia di prezzo. / Refer to this line of price for all other realizable finishes.

ABBINABILE A / TO MATCH WITH:
Sifone / Siphon - **00067CR00**

RICAMBI / SPARE PARTS

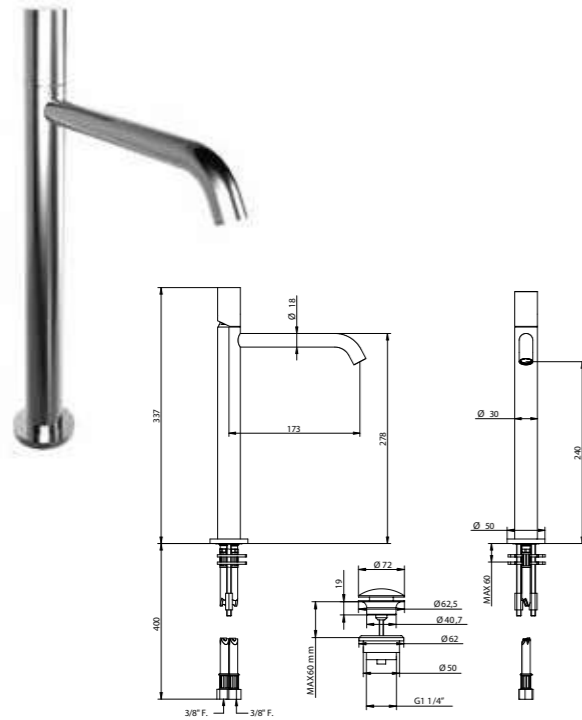
	9870		9392
--	-------------	--	-------------

ACCESSORI E RICAMBI / ACCESSORIES AND SPARE PARTS



40332/OR

Miscelatore lavabo alto con bocca lunga, cartuccia tradizionale e piletta clic - clac. High basin mixer with long spout and clic - clac waste.



ARTICOLO COMPLETO / COMPLETE ITEM

- 40332CRCR0R**
CRCR
- 40332NSNS0R**
NSNS/BIBI/NENE/ONON/BUBU
- 40332OROR0R**
OROR
- 40332AMAM0R**
AMAM/OPOP/NMNM/HMHM/OMOM/BMBM/TTTT/FAFA/
CMCM/IMIM
- 40332XXX0R ***
XXXX

* XX: Per tutte le altre finiture fattibili riferirsi a questa fascia di prezzo. / Refer to this line of price for all other realizable finishes.

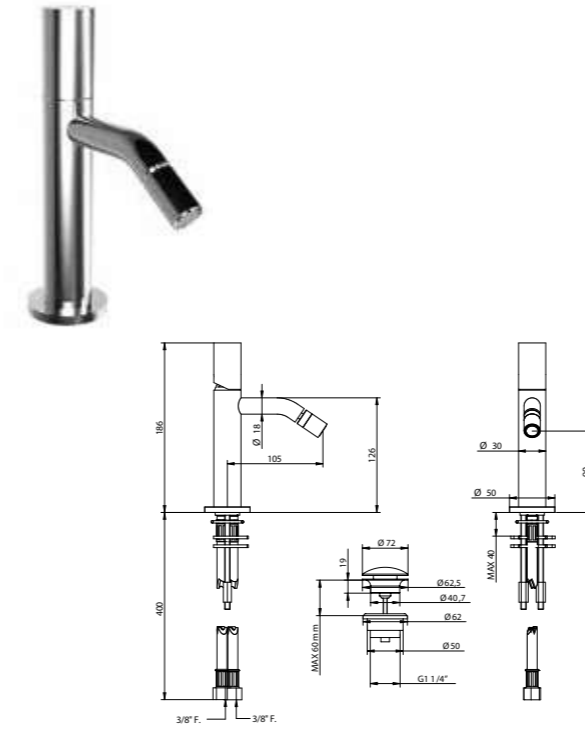
ABBINABILE A / TO MATCH WITH:
Sifone / Siphon - **00067CR00**

RICAMBI / SPARE PARTS

	9870		9392
--	-------------	--	-------------

40322/OR

Miscelatore bidet con cartuccia tradizionale e piletta clic-clac. Bidet mixer with clic-clac waste.



ARTICOLO COMPLETO / COMPLETE ITEM

- 40322CRCR0R**
CRCR
- 40322NENE0R**
NENE/BIBI/NSNS/ONON
- 40322CNCN0R**
CNCN/OROR
- 40322AMAM0R**
AMAM/OPOP/NMNM/HMHM/OMOM/BMBM/TTTT/FAFA/
CMCM/IMIM
- 40322XXX0R ***
XX

* XX: Per tutte le altre finiture fattibili riferirsi a questa fascia di prezzo. / Refer to this line of price for all other realizable finishes.

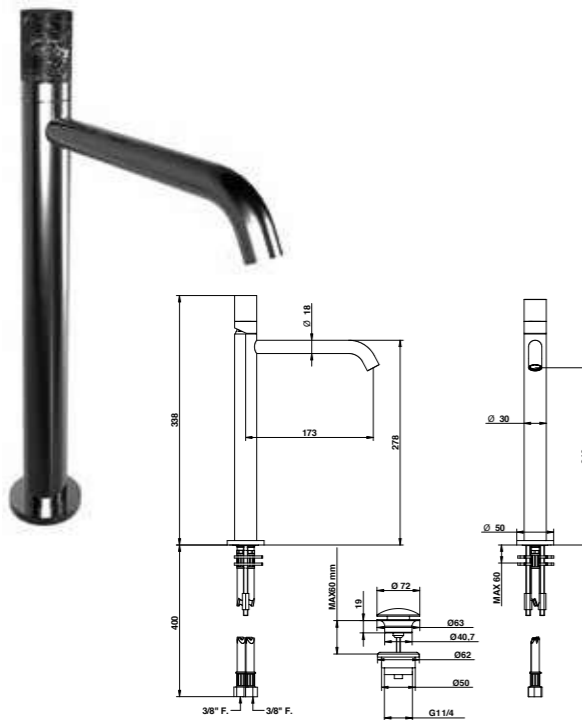
ABBINABILE A / TO MATCH WITH:
Sifone / Siphon - **00066CR00**

RICAMBI / SPARE PARTS

	9870		9393CR
--	-------------	--	---------------

40332

Miscelatore lavabo alto con bocca lunga, cartuccia tradizionale e piletta clic-clac. High basin mixer with long spout and clic-clac waste.



ARTICOLO COMPLETO / COMPLETE ITEM

- 40332CRKA**
CRKA/CRPO
- 40332CNKA**
CNKA/ORPO
- 40332XXX ***
XXXX

* XXXX: Per tutte le altre finiture fattibili riferirsi a questa fascia di prezzo. / Refer to this line of price for all other realizable finishes.

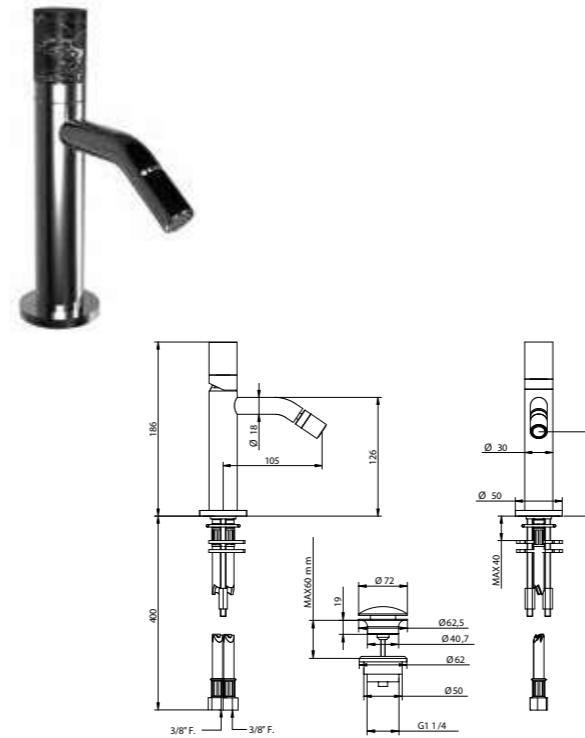
ABBINABILE A / TO MATCH WITH:
Sifone / Siphon - **00067CR00**

RICAMBI / SPARE PARTS

	9870		9392
--	-------------	--	-------------

40322

Miscelatore bidet con cartuccia tradizionale e piletta clic-clac. Bidet mixer with clic-clac waste.



ARTICOLO COMPLETO / COMPLETE ITEM

- 40322CRKA**
CRKA/CRPO
- 40322CNKA**
CNKA/ORPO
- 40322XXX ***
XXXX

* XXXX: Per tutte le altre finiture fattibili riferirsi a questa fascia di prezzo. / Refer to this line of price for all other realizable finishes.

ABBINABILE A / TO MATCH WITH:
Sifone / Siphon - **00066CR00**

RICAMBI / SPARE PARTS

	9870		9393CR
--	-------------	--	---------------

FINITURE E COLORI / FINISHES AND COLOURS

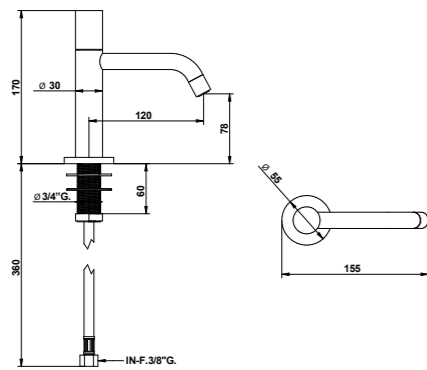


ACCESSORI E RICAMBI / ACCESSORIES AND SPARE PARTS



40499/R

Rubinetto **monoacqua** senza scarico. **Mono water** tap without waste.



ARTICOLO COMPLETO / COMPLETE ITEM

40499CRCR0R
CRCR

40499BIBIOR
BIBI/NSNS/NENE/BUBU/ONON

40499OROR0R
OROR/CNCN

40499OPOP0R
OPOP/AMAM/NMNM/HMHM/OMOM/BMBM/TTTT/FAFA/
CMCM/IMIM

40499XXXX0R *
XXXX

* XX: Per tutte le altre finiture fattibili riferirsi a questa fascia di prezzo. / Refer to this line of price for all other realizable finishes.

Non disponibile con maniglia in marmo. / Not available with marble handle.

ABBINABILE A / TO MATCH WITH:

Sifone / Siphon - **00067CR00**

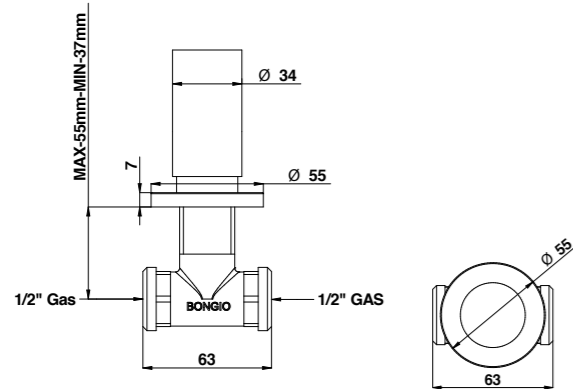
Piletta clic-clac / Clic-clac waste - **00079CR00**

RICAMBI / SPARE PARTS

	9790		9988CR
--	-------------	--	---------------

40500/R

Rubinetto incasso 1/2". 1/2" built-in tap.



ARTICOLO COMPLETO / COMPLETE ITEM

40500CRCR0R
CRCR

PARTE INCASSO
BUILT-IN PART

PARTE ESTERNA DA ABBINARE
EXTERNAL MATCHING PART

FINITURE / FINISHES

09775
CALDA / hot

40500CRCR0REU
CRCR

09775
FREDDA / cold

40500BIBIOREU
BIBI/NENE/NSNS/BUBU/
ONON

40500CNCN0REU
CNCN/AMAM/NMNM/HMHM/
OMOM/OROR/BMBM/CMCM/
IMIM

40500OPOP0REU
OPOP/TTTT/FAFA

40500XXXX0REU *
XXXX

* XX: Per tutte le altre finiture fattibili riferirsi a questa fascia di prezzo. / Refer to this line of price for all other realizable finishes.

Disponibile maniglia con levetta. / Available handle with lever.

PROLUNGA / MIXER EXTENSION

	00083CR00
--	------------------

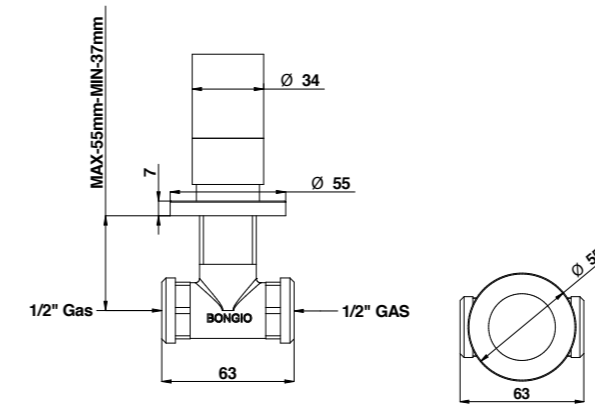
RICAMBI / SPARE PARTS

	9790 *		9790 □
--	---------------	--	---------------

* Calda / Hot
□ Fredda / Cold

40500

Rubinetto incasso 1/2". 1/2" built-in tap.



ARTICOLO COMPLETO / COMPLETE ITEM

40500CRKA
CRKA/CRPO

PARTE INCASSO
BUILT-IN PART

PARTE ESTERNA DA ABBINARE
EXTERNAL MATCHING PART

FINITURE / FINISHES

09775
CALDA / hot

40500CRKAEU
CRKA/CRPO

09775
FREDDA / cold

40500CNKAEU
CNKA/ORPO

40500XXXXEU *
XXXX

* XXXX: Per tutte le altre finiture fattibili riferirsi a questa fascia di prezzo. / Refer to this line of price for all other realizable finishes.

PROLUNGA / MIXER EXTENSION

	00083CR00
--	------------------

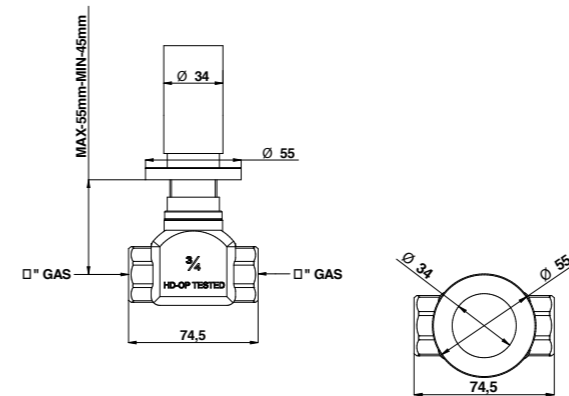
RICAMBI / SPARE PARTS

	9790 *		9790 □
--	---------------	--	---------------

* Calda / Hot
□ Fredda / Cold

40498/R

Rubinetto incasso 3/4" vitone tradizionale. 3/4" built-in tap traditional mechanism.



ARTICOLO COMPLETO / COMPLETE ITEM

40498CRCR0R
CRCR

PARTE INCASSO
BUILT-IN PART

PARTE ESTERNA DA ABBINARE
EXTERNAL MATCHING PART

FINITURE / FINISHES

09772
CALDA / hot

40498CRCR0REU
CRCR

09772
FREDDA / cold

40498BIBIOREU
BIBI/NENE/NSNS/BUBU/
ONON

40498CNCN0REU
CNCN/AMAM/NMNM/HMHM/
OMOM/CMCM/BMBM/OROR/
IMIM

40498OPOP0REU
OPOP/TTTT/FAFA

40498XXXX0REU *
XXXX

* XX: Per tutte le altre finiture fattibili riferirsi a questa fascia di prezzo. / Refer to this line of price for all other realizable finishes.

PROLUNGA / MIXER EXTENSION

	00083CR00
--	------------------

RICAMBI / SPARE PARTS

	9804 *		9804 □
--	---------------	--	---------------

* Calda / Hot
□ Fredda / Cold

FINITURE E COLORI / FINISHES AND COLOURS

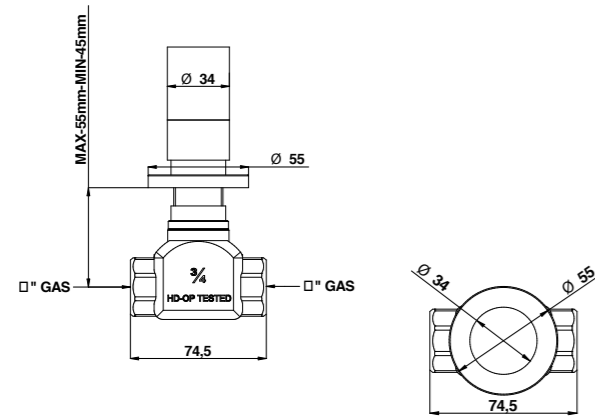


ACCESSORI E RICAMBI / ACCESSORIES AND SPARE PARTS



40498

Rubinetto incasso 3/4" vitone tradizionale. 3/4" built-in tap traditional mechanism.



ARTICOLO COMPLETO / COMPLETE ITEM

40498CRKA
CRKA/CRPO

PARTE INCASSO BUILT-IN PART | **PARTE ESTERNA DA ABBINARE** EXTERNAL MATCHING PART

FINITURE / FINISHES

09772 CALDA / hot	40498CRKAEU CRKA/CRPO
09772 FREDDA / cold	40498CNKAEU CNKA/ORPO
	40498XXXXEU * XXXX

* XXXX: Per tutte le altre finiture fattibili riferirsi a questa fascia di prezzo. / Refer to this line of price for all other realizable finishes.

PROLUNGA / MIXER EXTENSION

00083CR00

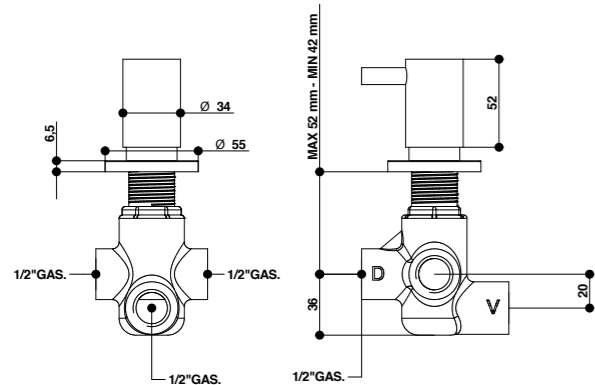
RICAMBI / SPARE PARTS

9804 * | 9804 □

* Calda / Hot
* Fredda / Cold

40525/R

Deviatore 2 uscite (2 entrate 2 uscite). 2 exit built-in diverter (2 in - 2 out).



ARTICOLO COMPLETO / COMPLETE ITEM

40525CRCR0R
CRCR

PARTE INCASSO BUILT-IN PART | **PARTE ESTERNA DA ABBINARE** EXTERNAL MATCHING PART

FINITURE / FINISHES

09496	40525CRCR0REU CRCR
	40525BIBI0REU BIBI/NENE/NSNS/BUBU/ ONON
	40525CNCN0REU CNCN/AMAM/NMNM/HMHM/ OMOM/BMBM/CMCM/IMIM/ OROR
	40525OPOP0REU OPOP/TTTT/FAFA
	40525XXXX0REU * XXXX

* XX: Per tutte le altre finiture fattibili riferirsi a questa fascia di prezzo. / Refer to this line of price for all other realizable finishes.

Non disponibile con maniglia in marmo / Not available with marble handle

PROLUNGA / MIXER EXTENSION

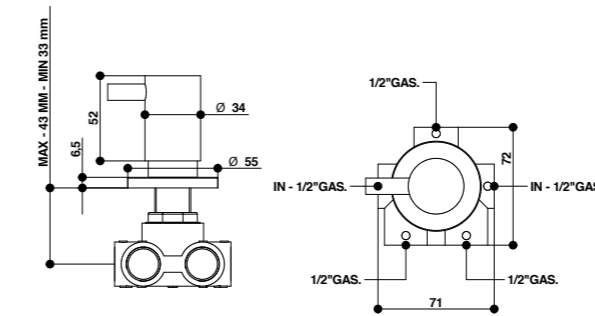
00083CR00

RICAMBI / SPARE PARTS

00112DM

40525/5

Deviatore 3 uscite (2 entrate 3 uscite). 3 exit built-in diverter (2 in - 3 out).



ARTICOLO COMPLETO / COMPLETE ITEM

40525CRCR050R
CRCR

PARTE INCASSO BUILT-IN PART | **PARTE ESTERNA DA ABBINARE** EXTERNAL MATCHING PART

FINITURE / FINISHES

09495	40525CRCR050REU CRCR
	40525BBII050REU BIBI/NENE/NSNS/BUBU/ ONON
	40525AMAM050REU AMAM/NMNM/HMHM/OMOM/ BMBM/CMCM/IMIM/OROR
	40525OPOP050REU OPOP/TTTT/FAFA
	40525XXXX050REU * XXXX

* XX: Per tutte le altre finiture fattibili riferirsi a questa fascia di prezzo. / Refer to this line of price for all other realizable finishes.

Non disponibile con maniglia in marmo / Not available with marble handle.

PROLUNGA / MIXER EXTENSION

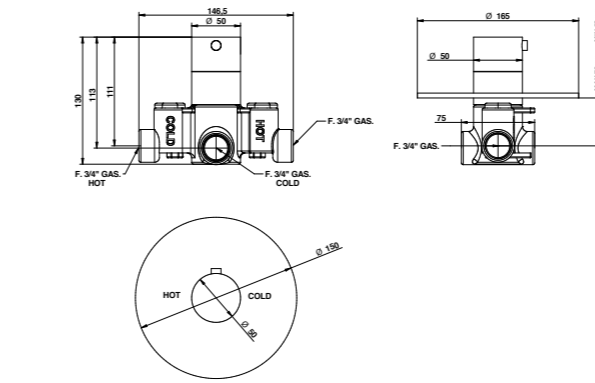
00083CR00

RICAMBI / SPARE PARTS

00113DM

40554/R

Termostatico incasso da 3/4" senza chiusura. 3/4" built-in thermostatic shower mixer without lock.



ARTICOLO COMPLETO / COMPLETE ITEM

40554CRCR0R
CRCR

PARTE INCASSO BUILT-IN PART | **PARTE ESTERNA DA ABBINARE** EXTERNAL MATCHING PART

FINITURE / FINISHES

09700	40554CRCR0REU CRCR
	40554BIBI0REU * BIBI/NENE/NSNS/BUBU/ ONON
	40554AMAM0REU * AMAM/OROR/NMNM/HMHM/ OMOM/BMBM/CMCM/IMIM
	40554OPOP0REU * OPOP/TTTT/FAFA
	40554XXXX0REU □ XXXX

* Nelle varianti colore verniciate e satinare alcuni particolari saranno in finitura galvanica per garantire gli standard qualitativi. / To assure our quality standard on colored and satin product, some details remain in galvanic finishes.

* XX: Per tutte le altre finiture fattibili riferirsi a questa fascia di prezzo. / Refer to this line of price for all other realizable finishes.

ABBINABILE A / TO MATCH WITH:
Rubinetto incasso / Built-in tap - 40498 - 40500 - 63500 - 38500 - 42500 - 82500

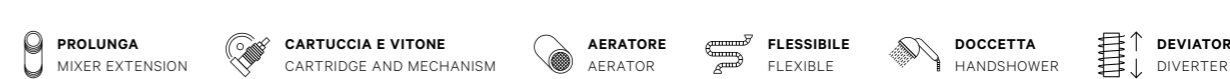
PROLUNGA / MIXER EXTENSION

00111CRPR

FINITURE E COLORI / FINISHES AND COLOURS



ACCESSORI E RICAMBI / ACCESSORIES AND SPARE PARTS



32542/2

Miscelatore termostatico incasso con 2 rubinetti di apertura/chiusura su piastra unica (2 uscite). Montaggio disponibile sia in verticale che orizzontale.

Built-in thermostatic mixer with 2 open/close taps on single plate (2 way). Available mounting both vertically and horizontally.



ARTICOLO COMPLETO / COMPLETE ITEM

32542CR02
CR

PARTE INCASSO BUILT-IN PART	PARTE ESTERNA DA ABBINARE EXTERNAL MATCHING PART
--------------------------------	---

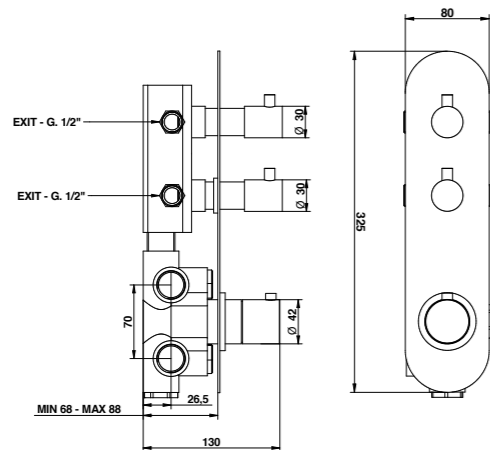
FINITURE / FINISHES	
09730/02	32542CR02EU CR
	32542NE02EU * NE/NS/BI
	32542CN02EU * CN/AM/NM/OR/ HM/OM/CM/IM
	32542OP02EU * OP/FA
	32542XX02EU ◻ XX

* Nelle varianti colore verniciate e satinare alcuni particolari saranno in finitura galvanica per garantire gli standard qualitativi. / To assure our quality standard on colored and satin product, some details remain in galvanic finishes.
◻ XX: Per tutte le altre finiture fattibili riferirsi a questa fascia di prezzo. / Refer to this line of price for all other realizable combinations of finishing.

Non disponibile in BU - TT - BM - ON / Not available BU - TT - BM - ON

Non disponibile con maniglia in marmo. / Not available with marble handle.

Portata a pressione dinamica: 3 bar - 23 l/min. / Flow rates at dynamic pressure: 3 bar - 23 l/min.



PROLUNGA / MIXER EXTENSION

00112CRPR02

RICAMBI / SPARE PARTS

9845 * **9794 ◻**

* Cartuccia miscelatrice / Mixer cartridge
◻ Vitone di apertura-chiusura / Open-close cartridge

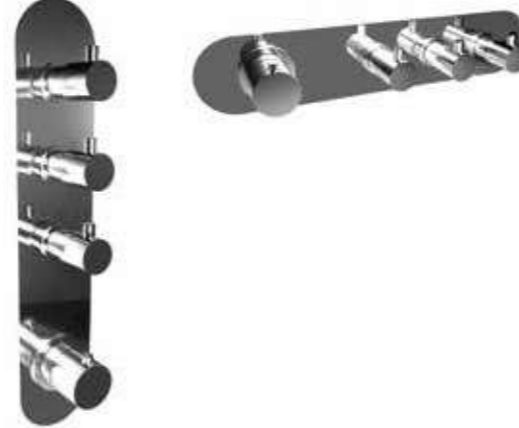
FINITURE E COLORI / FINISHES AND COLOURS



32542/3

Miscelatore termostatico incasso con 3 rubinetti di apertura/chiusura su piastra unica (3 uscite). Montaggio disponibile sia in verticale che orizzontale.

Built-in thermostatic mixer with 3 open/close taps on single plate (3 way). Available mounting both vertically and horizontally.



ARTICOLO COMPLETO / COMPLETE ITEM

32542CR03
CR

PARTE INCASSO BUILT-IN PART	PARTE ESTERNA DA ABBINARE EXTERNAL MATCHING PART
--------------------------------	---

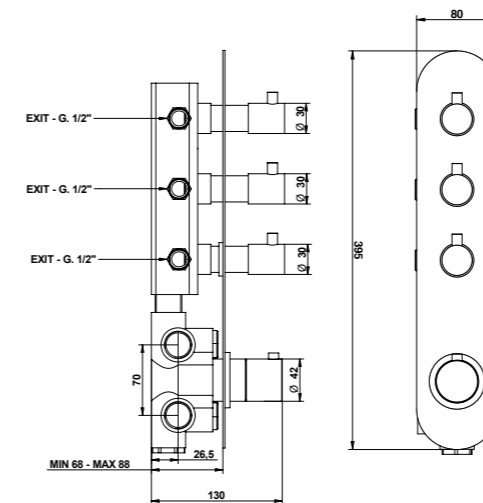
FINITURE / FINISHES	
09730/03	32542CR03EU CR
	32542NE03EU * NE/NS/BI
	32542CN03EU * CN/AM/NM/OR/ HM/OM/CM/IM
	32542OP03EU * OP/FA
	32542XX03EU ◻ XX

* Nelle varianti colore verniciate e satinare alcuni particolari saranno in finitura galvanica per garantire gli standard qualitativi. / To assure our quality standard on colored and satin product, some details remain in galvanic finishes.
◻ XX: Per tutte le altre finiture fattibili riferirsi a questa fascia di prezzo. / Refer to this line of price for all other realizable finishes.

Non disponibile in BU - TT - BM - ON / Not available BU - TT - BM - ON

Non disponibile con maniglia in marmo. / Not available with marble handle.

Portata a pressione dinamica: 3 bar - 23 l/min. / Flow rates at dynamic pressure: 3 bar - 23 l/min.



PROLUNGA / MIXER EXTENSION

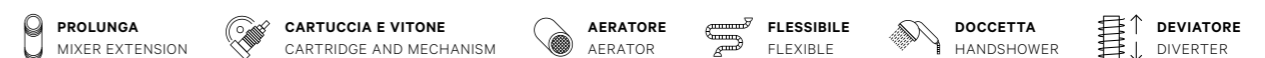
00112CRPR03

RICAMBI / SPARE PARTS

9845 * **9794 ◻**

* Cartuccia miscelatrice / Mixer cartridge
◻ Vitone di apertura-chiusura / Open-close cartridge

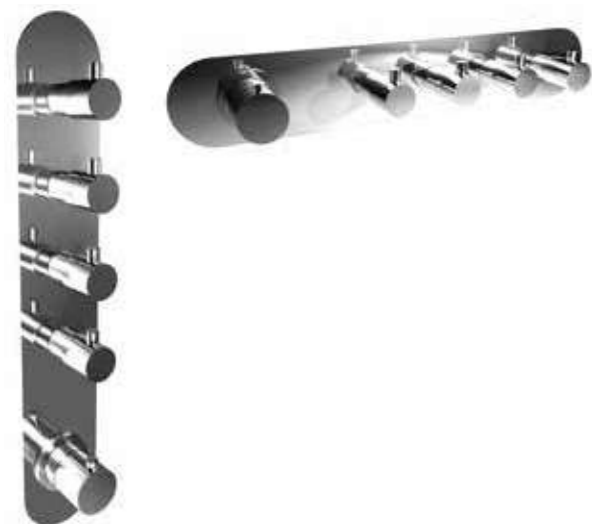
ACCESSORI E RICAMBI / ACCESSORIES AND SPARE PARTS



32542/4

Miscelatore termostatico incasso con 4 rubinetti di apertura/chiusura su piastra unica (4 uscite). Montaggio disponibile sia in verticale che orizzontale.

Built-in thermostatic mixer with 4 open/close taps on single plate (4 way). Available mounting both vertically and horizontally.



ARTICOLO COMPLETO / COMPLETE ITEM

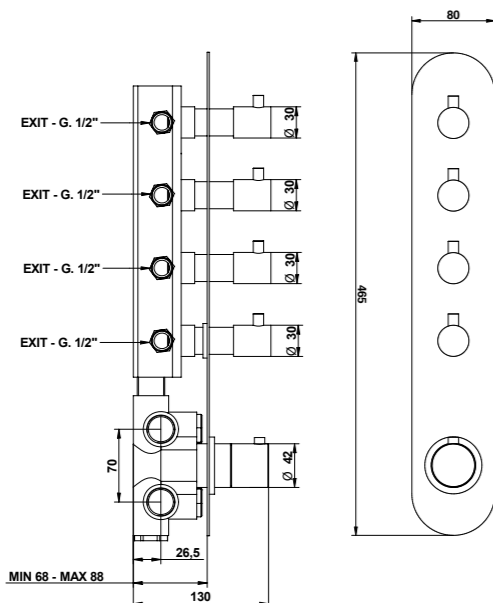
32542CR04
CR

PARTE INCASSO BUILT-IN PART	PARTE ESTERNA DA ABBINARE EXTERNAL MATCHING PART
09730/04	FINITURE / FINISHES
	32542CR04EU CR
	32542NE04EU * NE/NS/BI
	32542CN04EU * CN/AM/NM/OR/ HM/OM/CM/IM
	32542OP04EU OP/FA
	32542XX04EU □ XX

* Nelle varianti colore verniciate e satinare alcuni particolari saranno in finitura galvanica per garantire gli standard qualitativi. / To assure our quality standard on colored and satin product, some details remain in galvanic finishes.
□ XX: Per tutte le altre finiture fattibili riferirsi a questa fascia di prezzo. / Refer to this line of price for all other realizable finishes.

Non disponibile in BU - TT - BM - ON / Not available BU - TT - BM - ON
Non disponibile con maniglia in marmo. / Not available with marble handle.

Portata a pressione dinamica: 3 bar - 23 l/min. / Flow rates at dynamic pressure: 3 bar - 23 l/min.



PROLUNGA / MIXER EXTENSION

00112CRPR04

RICAMBI / SPARE PARTS

09845 * **9794 □**

* Cartuccia miscelatrice / Mixer cartridge
□ Vitone di apertura-chiusura / Open-close cartridge

FINITURE E COLORI / FINISHES AND COLOURS



40530/DR

Gruppo vasca incasso con set doccia Built-in bath and shower mixer with duplex.

Dettaglio flessibili / Flexible details pag. 42



ARTICOLO COMPLETO / COMPLETE ITEM

40530CR0D0R
CRCR

PARTE INCASSO BUILT-IN PART	PARTE ESTERNA DA ABBINARE EXTERNAL MATCHING PART
09680/AQ	FINITURE / FINISHES
	40530CR0D0REU CRCR
	40530BIBI0D0REU BIBI/NENE/NSNS/BUBU/ ONON
	40530CNCN0D0REU CNCN/OROR/AMAM/NMNM/ HMHM/OMOM/BMBM/CMCM/ IMIM
	40530OPOP0D0REU OPOP/TTTT/FAFA
	40530XXX0D0REU * XXXX

* XX: Per tutte le altre finiture fattibili riferirsi a questa fascia di prezzo. / Refer to this line of price for all other realizable finishes.

PROLUNGA / MIXER EXTENSION

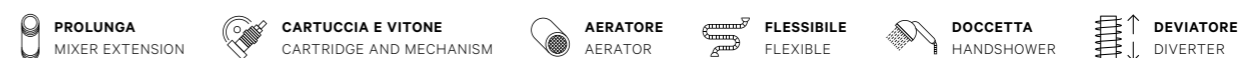
00083CR00
3 pz. per articolo Cad. / Each
/ 3 pcs needed

RICAMBI / SPARE PARTS

9790 *	9790 □
9999CR	9600CR
00850CR0E	00112DM
00850XX00 □	9600XXPV □

* Calda / Hot
□ Fredda / Cold
□ Ricambio per finiture diverse dal cromo. / Spare part for different finishes.
□ Per le finiture verniciate e satinare il flessibile verrà fornito in PVC nero. / The flexible hose will be supplied in black PVC for painted and matt finishes.

ACCESSORI E RICAMBI / ACCESSORIES AND SPARE PARTS



40530/D

Gruppo vasca incasso con set doccia Built-in bath and shower mixer with duplex shower set.

Dettaglio flessibili / Flexible details pag. 42



ARTICOLO COMPLETO / COMPLETE ITEM

40530CRKA0D
CRKA/CRPO

PARTE INCASSO BUILT-IN PART **PARTE ESTERNA DA ABBINARE** EXTERNAL MATCHING PART

FINITURE / FINISHES

09680/AQ **40530CRKA0DEU**
CRKA/CRPO

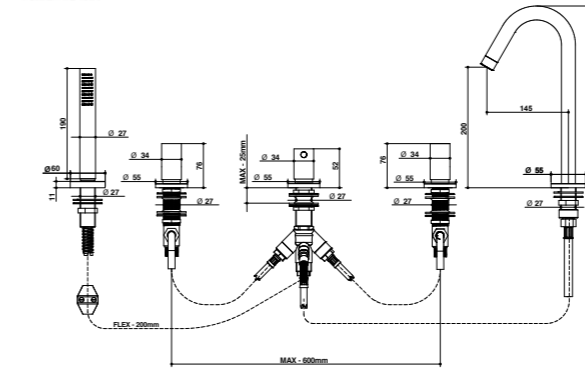
40530CNKA0DEU
CNKA/ORPO

40530XXX0DEU *
XXXX

* XXXX: Per tutte le altre finiture fattibili riferirsi a questa fascia di prezzo. / Refer to this line of price for all other realizable finishes.

40531/DR

Gruppo bordo vasca cinque fori con set doccia. Five holes deck bath and shower mixer with shower set.



ARTICOLO COMPLETO / COMPLETE ITEM

40531CRCR0D0R
CRCR

40531BIBI0D0R
BIBI/NENE/NSNS/ONON/BUBU

40531CNCN0D0R
CNCN/AMAM/NMNM/HMHM/OMOM/BMBM/CMCM/IMIM/OROR

40531OPOP0D0R
OPOP/TTTT/FAFA

40531XXX0D0R *
XXXX

* XX: Per tutte le altre finiture fattibili riferirsi a questa fascia di prezzo. / Refer to this line of price for all other realizable finishes.

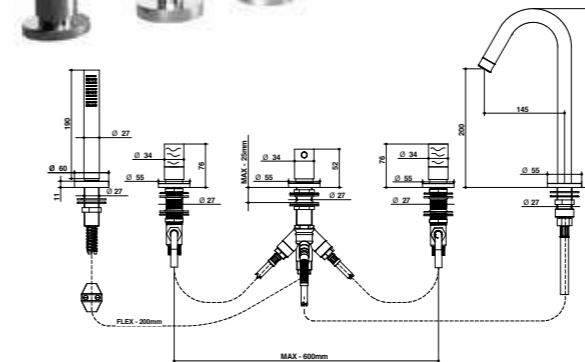
RICAMBI / SPARE PARTS

	9790 *		9790 □
	9999CR		9606CR
	00850CR0E		00112VI
	00850XX00 □		

* Calda / Hot
□ Fredda / Cold
□ Ricambio per finiture diverse dal cromo. / Spare part for different finishes.

40531/D

Gruppo bordo vasca cinque fori con set doccia. Five holes deck bath and shower mixer with shower set.



ARTICOLO COMPLETO / COMPLETE ITEM

40531CRKA0D
CRKA/CRPO

40531CNKA0D
CNKA/ORPO

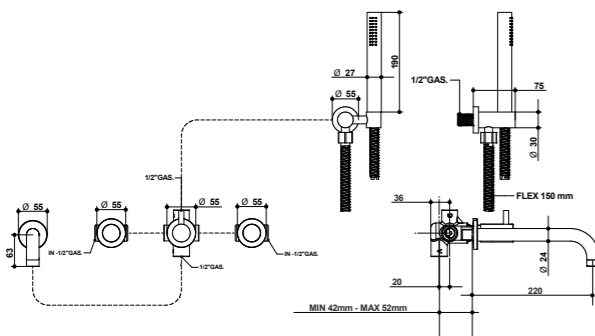
40531XXX0D *
XXXX

* XXXX: Per tutte le altre finiture fattibili riferirsi a questa fascia di prezzo. / Refer to this line of price for all other realizable finishes.

RICAMBI / SPARE PARTS

	9790 *		9790 □
	9999CR		9606CR
	00850CR0E		00112VI
	00850XX00 □		

* Calda / Hot
□ Fredda / Cold
□ Ricambio per finiture diverse dal cromo. / Spare part for different finishes.



PROLUNGA / MIXER EXTENSION

00083CR00
3 pz. per articolo Cad. / Each
/ 3 pcs needed

RICAMBI / SPARE PARTS

	9790 *		9790 □
	9999CR		9600CR
	00850CR0E		00112DM
	00850XX00 □		9600XXPV △

* Calda / Hot
□ Fredda / Cold
△ Ricambio per finiture diverse dal cromo. / Spare part for different finishes.
△ Per le finiture verniciate e satinare il flessibile verrà fornito in PVC nero. / The flexible hose will be supplied in black PVC for painted and matt finishes.

FINITURE E COLORI / FINISHES AND COLOURS



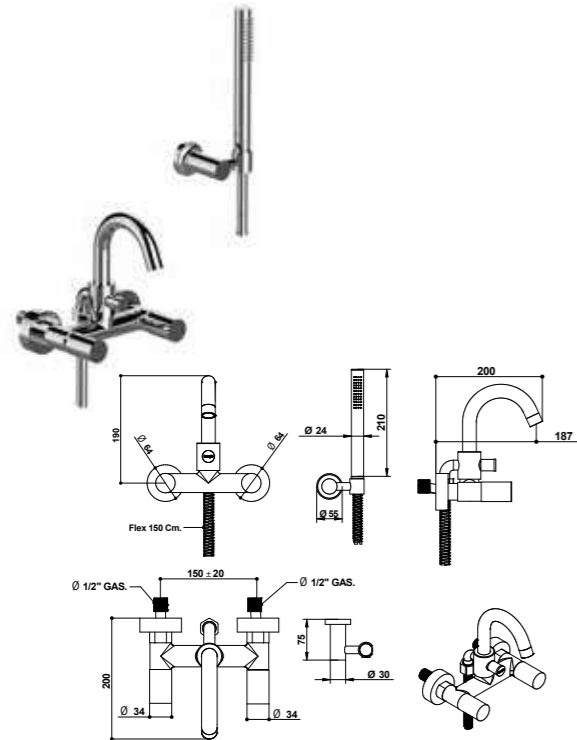
ACCESSORI E RICAMBI / ACCESSORIES AND SPARE PARTS



40536/DR

Gruppo vasca esterno con set doccia duplex. External bath and shower mixer with duplex shower set.

Dettaglio flessibili / Flexible details pag. 42



ARTICOLO COMPLETO / COMPLETE ITEM

40536CRCR0DOR
CRCR

40536BIBI0DOR *
BIBI/NENE/NSNS/ONON/BUBU

40536AMAM0DOR *
AMAM/NMNM/HMHM/OMOM/BMBM/CMCM/IMIM/OROR/
CNCN

40536OPOP0DOR *
OPOP/TTTT/FAFA

40536XXXX0DOR □
XXXX

* Nelle varianti colore verniciate e satinare alcuni particolari saranno in finitura galvanica per garantire gli standard qualitativi. / To assure our quality standard on colored and satin product, some details remain in galvanic finishes.

□ XX: Per tutte le altre finiture fattibili riferirsi a questa fascia di prezzo. / Refer to this line of price for all other realizable finishes.

RICAMBI / SPARE PARTS

	9790 *		9790 □
	9999CR		9600CR
	00850CROE		00116CR
	00850XX00 □		9600XXPV ▲

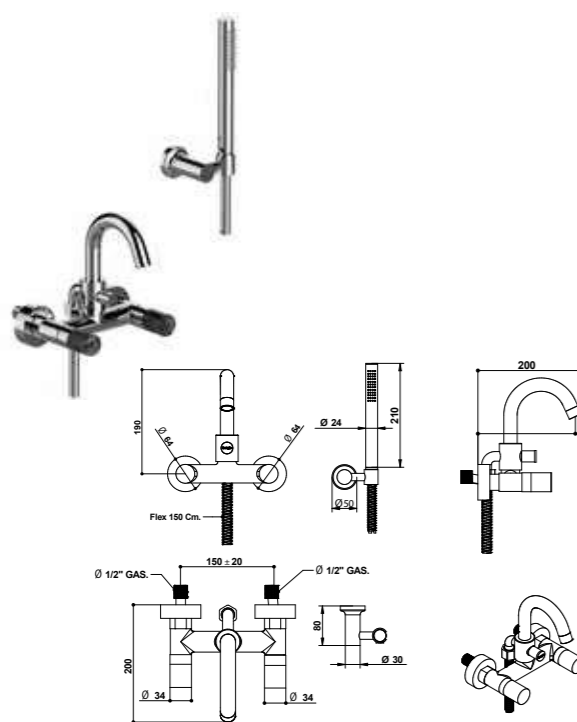
* Calda / Hot
□ Fredda / Cold

▲ Ricambio per finiture diverse dal cromo. / Spare part for different finishes.
▲ Per le finiture verniciate e satinare il flessibile verrà fornito in PVC nero. / The flexible hose will be supplied in black PVC for painted and matt finishes.

40536/D NEW

Gruppo vasca esterno con set doccia duplex. External bath and shower mixer with duplex shower set.

Dettaglio flessibili / Flexible details pag. 42



ARTICOLO COMPLETO / COMPLETE ITEM

40536CRKA0D
CRKA/CRPO

40536CNKA0D
CNKA/ORPO

40536XXXX0D *
XXXX

* XXXX: Per tutte le altre finiture fattibili riferirsi a questa fascia di prezzo. / Refer to this line of price for all other realizable finishes.

RICAMBI / SPARE PARTS

	9790 *		9790 □
	9999CR		9600CR
	00850CROE		00116CR
	00850XX00 □		9600XXPV ▲

* Calda / Hot
□ Fredda / Cold

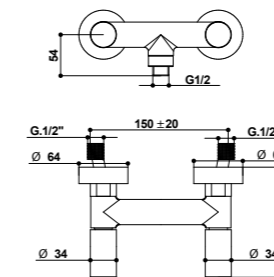
▲ Ricambio per finiture diverse dal cromo. / Spare part for different finishes.
▲ Per le finiture verniciate e satinare il flessibile verrà fornito in PVC nero. / The flexible hose will be supplied in black PVC for painted and matt finishes.

FINITURE E COLORI / FINISHES AND COLOURS



40523/R

Gruppo doccia esterno. External shower mixer



ARTICOLO COMPLETO / COMPLETE ITEM

40523CRCR0R
CRCR

40523BIBI0R
BIBI/NENE/NSNS/BUBU/ONON

40523AMAM0R
AMAM/NMNM/HMHM/OMOM/CMCM/IMIM/BMBM/CNCN/
OROR

40523OPOP0R
OPOP/TTTT/FAFA

40523XXXX0R *
XXXX

* XX: Per tutte le altre finiture fattibili riferirsi a questa fascia di prezzo. / Refer to this line of price for all other realizable finishes.

ABBINABILE A / TO MATCH WITH:
Asta saliscendi / Sliding rail - **870**

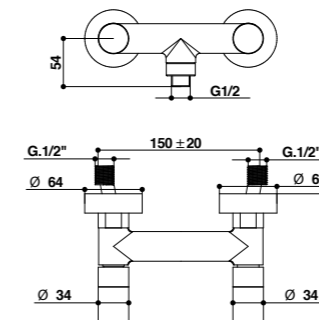
RICAMBI / SPARE PARTS

	9790 *		9790 □
--	---------------	--	---------------

* Calda / Hot
□ Fredda / Cold

40523

Gruppo esterno per doccia. External shower mixer



ARTICOLO COMPLETO / COMPLETE ITEM

40523CRKA
CRKA/CRPO

40523CNKA
CNKA/ORPO

40523XXXX *
XXXX

* XXXX: Per tutte le altre finiture fattibili riferirsi a questa fascia di prezzo. / Refer to this line of price for all other realizable finishes.

ABBINABILE A / TO MATCH WITH:
Asta saliscendi / Sliding rail - **870**

RICAMBI / SPARE PARTS

	9790 *		9790 □
--	---------------	--	---------------

* Calda / Hot
□ Fredda / Cold

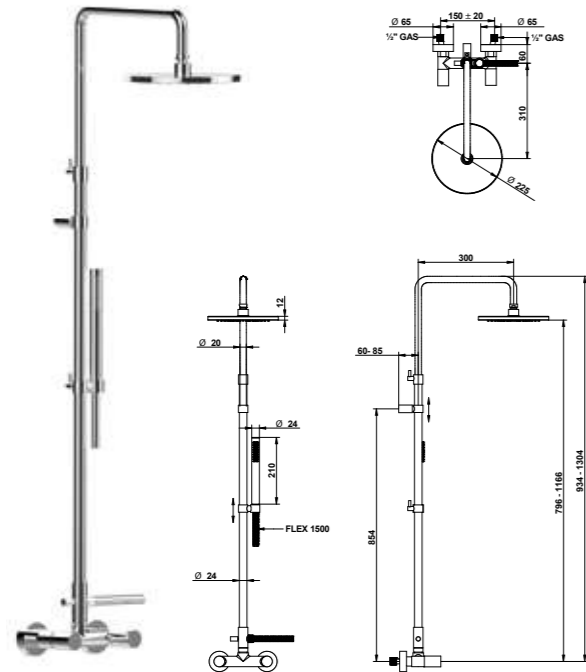
ACCESSORI E RICAMBI / ACCESSORIES AND SPARE PARTS



40537/DR

Gruppo doccia esterno con tubo, soffione e set doccia duplex. External shower mixer with tube, shower head and duplex shower set.

Dettaglio flessibili / Flexible details pag. 42



ARTICOLO COMPLETO / COMPLETE ITEM

40537CRCR0DOR
CRCR

40537BIBI0DOR *
BIBI/NENE/NSNS/BUBU/ONON

40537AMAM0DOR *
AMAM/NMNM/HMNM/OMOM/CNCN/OROR/BMBM/CMCM/IMIM

40537OPOP0DOR *
OPOP/FAFA/TTTT

40537XXX0DOR □
XXXX

* Nelle varianti colore verniciate e satinare alcuni particolari saranno in finitura galvanica per garantire gli standard qualitativi. / To assure our quality standard on colored and satin product, some details remain in galvanic finishes.
□ XX: Per tutte le altre finiture fattibili riferirsi a questa fascia di prezzo. / Refer to this line of price for all other realizable finishes.

RICAMBI / SPARE PARTS

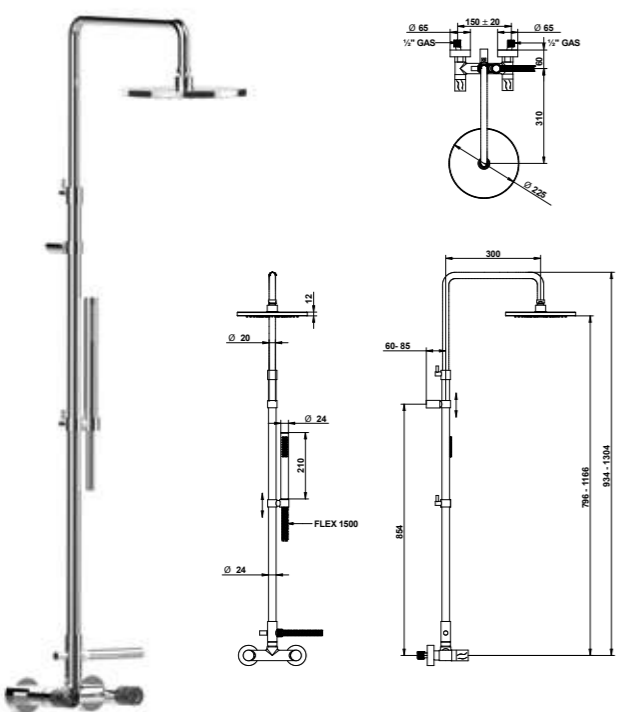
9790 *	9790 □
9600CR	00850CR0E
00121CR00	00850XX00 □
9600XXPV *	

* Calda / Hot
□ Fredda / Cold
□ Ricambio per finiture diverse dal cromo. / Spare part for different finishes.
* Per le finiture verniciate e satinare il flessibile verrà fornito in PVC nero. / The flexible will be supplied in black PVC for painted and matt finishes

40537/D NEW

Gruppo doccia esterno con tubo, soffione e set doccia duplex. External shower mixer with tube, shower head and duplex shower set.

Dettaglio flessibili / Flexible details pag. 42



ARTICOLO COMPLETO / COMPLETE ITEM

40537CRKA0D
CRKA/CRPO

40537CNKA0D
CNKA/ORPO

40537XXX0D *
XXXX

* XXXX: Per tutte le altre finiture fattibili riferirsi a questa fascia di prezzo. / Refer to this line of price for all other realizable finishes.

RICAMBI / SPARE PARTS

9790 *	9790 □
9600CR	00850CR0E
00121CR00	00850XX00 □
9600XXPV *	

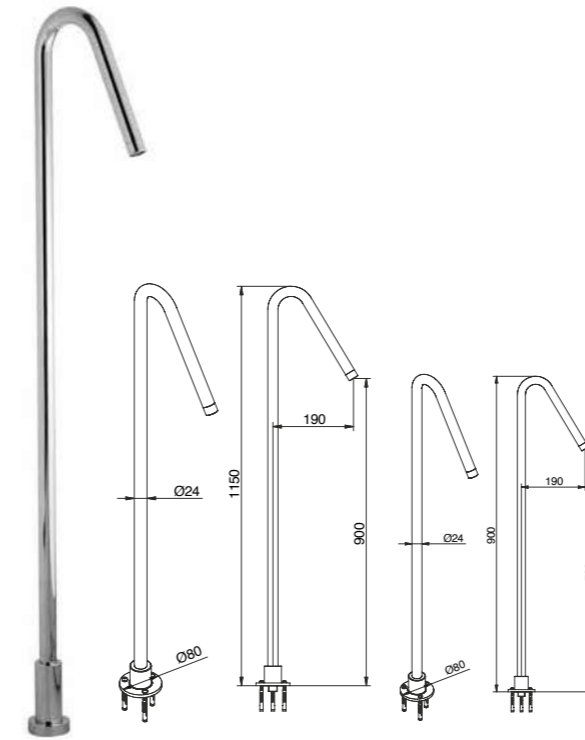
* Calda / Hot
□ Fredda / Cold
□ Ricambio per finiture diverse dal cromo. / Spare part for different finishes.
* Per le finiture verniciate e satinare il flessibile verrà fornito in PVC nero. / The flexible hose will be supplied in black PVC for painted and matt finishes.

FINITURE E COLORI / FINISHES AND COLOURS



985/70-90

Bocca lavabo a pavimento 985/90. Floor mounted basin spout 985/90.
Bocca vasca a pavimento 985/70. Floor mounted bath spout 985/70.



ARTICOLO COMPLETO / COMPLETE ITEM

00985CR70
CR

00985CR90
CR

00985NE70
NE/BI/NS/ON

00985NE90
NE/BI/NS/ON

00985BM70
BM

00985BM90
BM

00985OR70
OR

00985OR90
OR

00985IM70
IM

00985IM90
IM

00985NM70
NM/HM/AM/OM/FA/CM/TT/OP/
CN

00985NM90
NM/HM/AM/OM/FA/CM/TT/OP/
CN

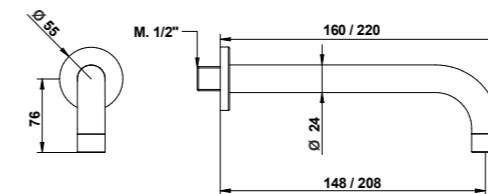
Non disponibile nella finitura BU / Not available BU

RICAMBI / SPARE PARTS

9999CR

986/16-22

Bocca incasso Ø 24 mm, 160-220 mm lunghezza, 1/2M. Built-in spout, 24 mms. Ø, 1/2M, 160-220 mms. long.



ARTICOLO COMPLETO / COMPLETE ITEM

00986CR16
CR

00986CR22
CR

00986BU16
BU/NS/BI/NE/ON

00986BU22
BU/NS/BI/NE/ON

00986CN16
CN/AM/FA/OP/BM/HM/NM/OM/
OR

00986CN22
CN/AM/NM/FA/OP/BM/HM/OM/
OR

00986TT16
TT/CM/IM

00986TT22
TT/CM/IM

00986XX16 *
XX

00986XX22 *
XX

* XX: Per tutte le altre finiture fattibili riferirsi a questa fascia di prezzo. / Refer to this line of price for all other realizable finishes.

OPTIONAL: Rosone standard. / Flange standard. **00253CR00**
OPTIONAL: Rosone Ø 80 mm. / Flange Ø 80 mms. **00253CR80**

RICAMBI / SPARE PARTS

9999CR

ACCESSORI E RICAMBI / ACCESSORIES AND SPARE PARTS



DOMINO·Q

DESIGN CENTER DIRECTED BY
ANTONIO BONGIO

#SOPHISTICATED



ATTENTION TO DETAILS



#DANDYSTYLE

DETTAGLIO DI CARATTERE

Detail with a strong character

L'eleganza delle linee geometriche e le loro proporzioni armoniche fanno di DOMINO Q una collezione dal carattere forte e deciso. La finitura bronzo si coniuga perfettamente con l'essenza naturale della materia. L'attenzione ai dettagli che contraddistingue la serie rende sofisticato ogni ambiente.

The elegance of its geometric lines and harmonious proportions make DOMINO Q a collection with a strong and resolute personality. The bronze finish perfectly blends with the natural essence of the raw material. The attention to detail that distinguishes this series makes every environment more sophisticated.

1. Art. 43501BMDA
2. Art. 00879BM00
3. Art. 67529CRPR (LINE) +
00834CROEPR (WELLNESS)



LAVABO / WASHBASIN
Art. 43501BMDA

BIDET / BIDET
Art. 43522BMDA

DOCCIA / SHOWER
Art. 67524BM6R
Art. 00834BMB1
Art. 00879BM00+00801BM30

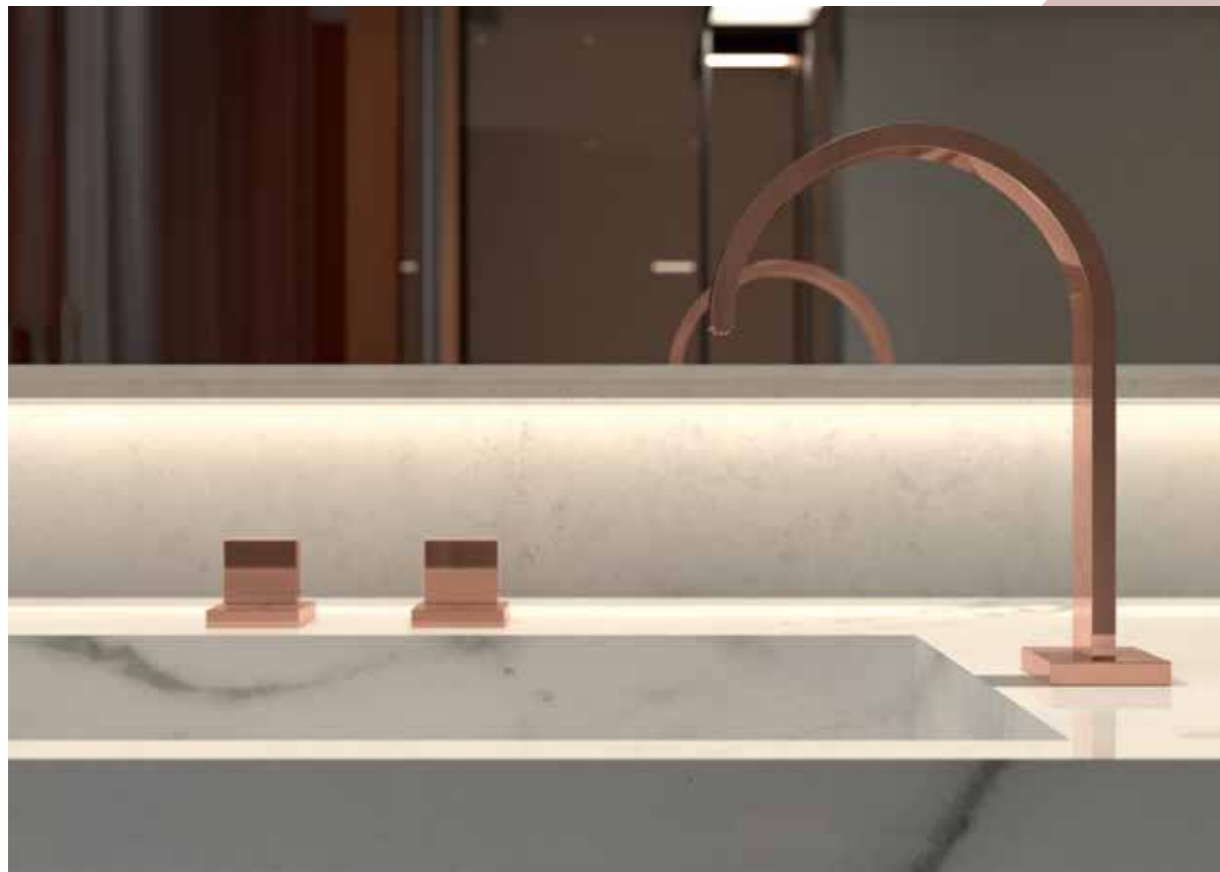
ACCESSORI / ACCESSORIES
Art. 43007BM60
Art. 43027BMDA
Art. 43009BMDA
Art. 44033BM00

BONGIOCASA
Art. DR100NEUB



#GEOMETRIJEWEL

LAVABO / WASHBASIN
Art. 43521CRDA



LAVABO / WASHBASIN
Art. 43501AMDA



#COSMOPOLITANLOOK

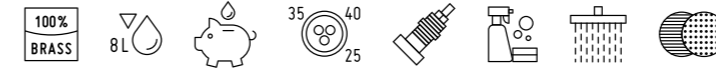
LAVABO / WASHBASIN
Art. 43501OPDA



LAVABO / WASHBASIN
Art. 43438OPDA

INFORMAZIONI TECNICHE

Technical details



CARTUCCIA: La serie Domino Q è dotata di diverse tipologie di cartucce: cartuccia \varnothing 25 mm, cartuccia \varnothing 35 mm senza distributore e cartuccia progressiva \varnothing 35 mm. Il funzionamento della cartuccia miscelatrice avviene con movimento rotatorio in senso orario, permettendo un'erogazione dell'acqua da completamente fredda a miscelata per passare a tutta calda, questo sistema permette una notevole riduzione di consumo di acqua calda.

La temperatura d'impianto non deve superare i 70°C. La pressione di esercizio dell'impianto consigliata è di 3 bar.

VITONI: La serie Domino Q è dotata di vitoni a dischi ceramici da 1/4 giro.

La temperatura d'impianto non deve superare i 70°C. La pressione di esercizio dell'impianto consigliata è di 3 bar.

EROGAZIONE: La serie Domino Q ha un tipo di erogazione morbida. **I lavabi e i bidet sono forniti con limitatore di portata da 6l/m.**

SISTEMI DI DEVIAZIONE: I deviatori Bongio sono testati per funzionare da un minimo di 0,5 bar pressione.

INSTALLAZIONE: Tutti gli articoli ad incasso Bongio completi sono forniti di relative parti da incassare.

Gli articoli doccia e vasca esterni hanno un interasse di 15±20 mm.

Per gli articoli lavabo e bidet, monoforo e tre fori, da installarsi su piano devono essere realizzati fori di \varnothing 35 mm. massimo.

CARTRIDGE: Domino Q series uses different kind of cartridges: \varnothing 25 mms, \varnothing 35mms without distributor and progressive cartridge \varnothing 35 mms. The progressive cartridge works through a turning clock wise movement obtaining a water supply from completely cold to mixed water to total hot water, highly reducing hot water consumption.

The temperature of the plant must not exceed 70°. The ideal working pressure of the plant is 3 bar.

MECHANISM: Domino Q series has 1/4' turn ceramic disc mechanism .

The temperature of the plant should not exceed 70 degrees. The suggested working pressure of the plant has to be 3 bar.

SUPPLY: Domino Q series has a soft supply. **Basin and bidet mixers have a standard limitation of flow to 6l/m.**

DIVERTING SYSTEMS: Bongio diverters have been tested to work properly starting from a minimum 0,5 bar pressure

INSTALLATION: all the built-in Bongio items are available with universal raw built-in body.

All the external shower and bath mixers have the 15±20 mms. interaxe.

For the basin and bidet mixers - single or three holes - to be place on top deck, they require \varnothing 35 mms maximum holes.

FINITURE E COLORI / FINISHES AND COLOURS

DETTAGLI / MORE INFO PAG. 38



CR
Cromo
Chrome



BM
Bronzo Opaco
Matt Bronze



OR
Oro
Gold



AM
Oro Rosa Satinato
Matt Rose Gold



NE
Nero Opaco
Matt Black



NS
Nichel Spazzolato
Brushed Nickel



NM
Cromo Nero Satinato
Matt Black Chrome



HM
Oro Francese Satinato
Matt French Gold



OM
Oro Satinato
Matt Gold



OP*
Oro Spazzolato
Brushed Gold

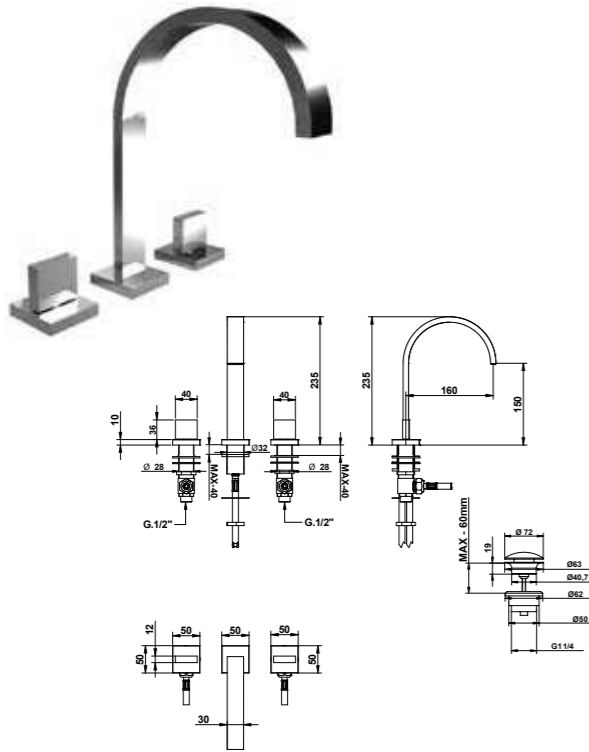


CN*
Cromo Nero
Black Chrome

* Disponibile su richiesta / Available on request

43501/DA

Gruppo lavabo 3 fori con piletta clic-clac. Three holes basin mixer with clic-clac waste.



ARTICOLO COMPLETO / COMPLETE ITEM

- 43501CRDA**
CR

- 43501BMDA**
BM/NE/NS

- 43501ORDA**
OR/AM/NM/HM/OM

- 43501XXDA ***
XX

* XX: Per tutte le altre finiture fattibili riferirsi a questa fascia di prezzo. / Refer to this line of price for all other realizable finishes.

Non disponibile nelle finiture ON - BU - TT / Not available ON - BU - TT

ABBINABILE A / TO MATCH WITH:
Sifone / Siphon - **00067CR00**

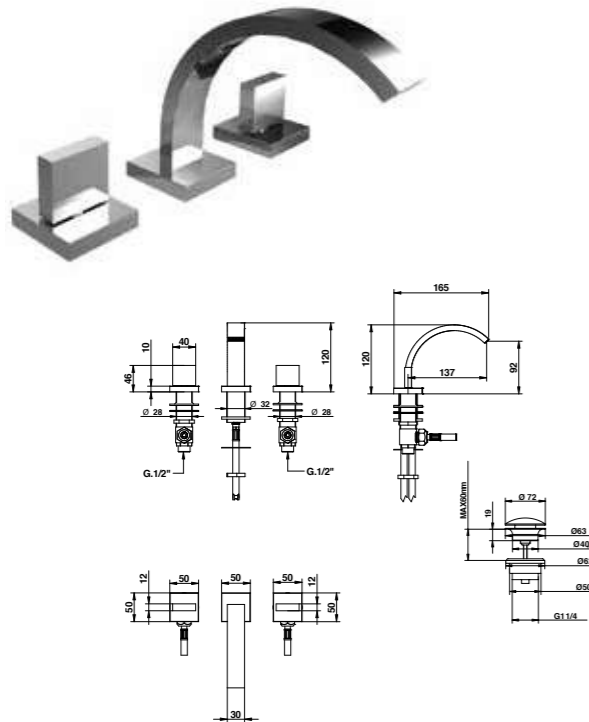
RICAMBI / SPARE PARTS

	9900 *		9900 □
	9380		

* Calda / Hot
□ Fredda / Cold

43503/DA

Gruppo bidet tre fori con piletta clic-clac. Three holes bidet mixer with clic-clac waste.



ARTICOLO COMPLETO / COMPLETE ITEM

- 43503CRDA**
CR

- 43503BMDA**
BM/NE/NS

- 43503ORDA**
OR/AM/NM/HM/OM

- 43503XXDA ***
XX

* XX: Per tutte le altre finiture fattibili riferirsi a questa fascia di prezzo. / Refer to this line of price for all other realizable finishes.

Non disponibile nelle finiture ON - BU - TT / Not available ON - BU - TT

ABBINABILE A / TO MATCH WITH:
Sifone / Siphon - **00066CR00**

RICAMBI / SPARE PARTS

	9900 *		9900 □
	9380		

* Calda / Hot
□ Fredda / Cold

FINITURE E COLORI / FINISHES AND COLOURS

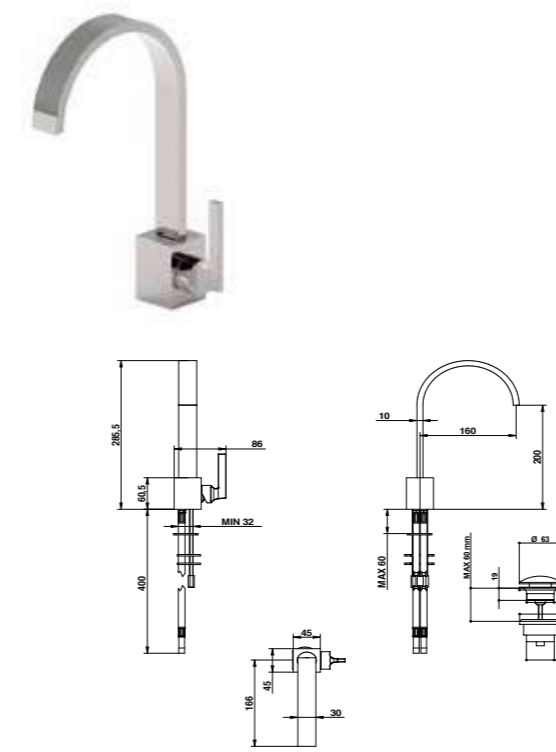


ACCESSORI COORDINATI / CO-ORDINATED ACCESSORIES PAG. 860

* Disponibile su richiesta / Available on demand

43521/DA

Miscelatore lavabo con piletta clic/clac. Basin mixer with clic/clac waste.



ARTICOLO COMPLETO / COMPLETE ITEM

- 43521CRDA**
CR

- 43521BMDA**
BM/NE/NS

- 43521ORDA**
OR/AM/NM/HM/OM

- 43521XXDA ***
XX

* XX: Per tutte le altre finiture fattibili riferirsi a questa fascia di prezzo. / Refer to this line of price for all other realizable finishes.

Non disponibile nelle finiture ON - BU - TT / Not available ON - BU - TT

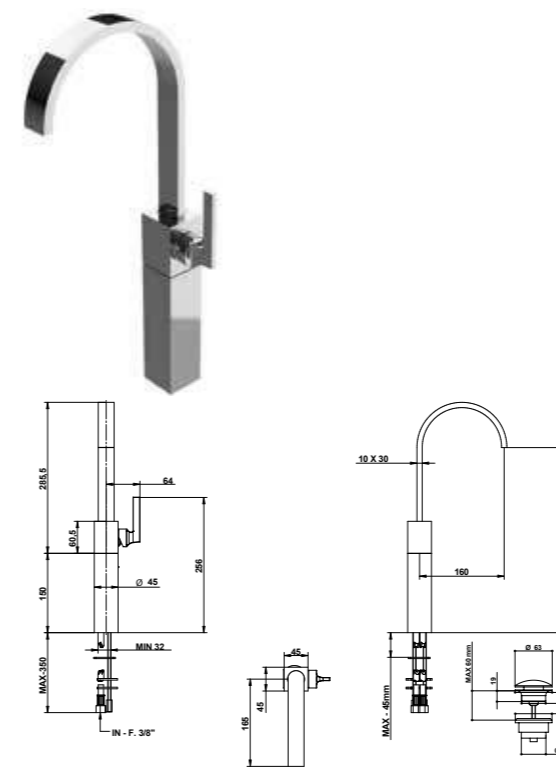
ABBINABILE A / TO MATCH WITH:
Sifone / Siphon - **00067CR00**

RICAMBI / SPARE PARTS

	9824		9380
--	-------------	--	-------------

43532/DA

Miscelatore lavabo con prolunga 150 mm. e piletta clic-clac. Basin mixer with 150 mms. extension and clic-clac waste.



ARTICOLO COMPLETO / COMPLETE ITEM

- 43532CRDA**
CR

- 43532BMDA**
BM/NE/NS

- 43532ORDA**
OR/AM/NM/HM/OM

- 43532XXDA ***
XX

* XX: Per tutte le altre finiture fattibili riferirsi a questa fascia di prezzo. / Refer to this line of price for all other realizable finishes.

Non disponibile nelle finiture ON - BU - TT / Not available ON - BU - TT

ABBINABILE A / TO MATCH WITH:
Sifone / Siphon - **00067CR00**

PROLUNGA / MIXER EXTENSION

	00932CR15		
--	------------------	--	--

RICAMBI / SPARE PARTS

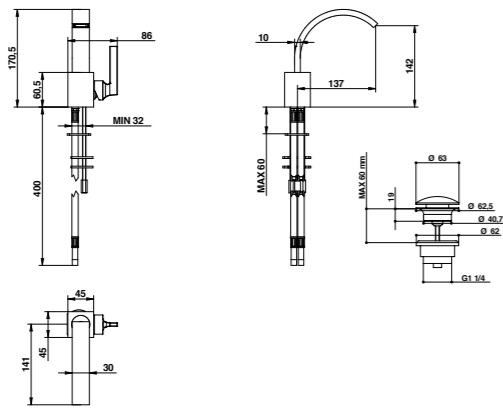
	9824		9380
--	-------------	--	-------------

ACCESSORI E RICAMBI / ACCESSORIES AND SPARE PARTS



43522/DA

Miscelatore bidet con piletta clic/clac. Bidet mixer with clic/clac waste.



ARTICOLO COMPLETO / COMPLETE ITEM

43522CRDA
CR

43522BMDA
BM/NE/NS

43522ORDA
OR/AM/NM/HM/OM

43522XXMDA *
XX

* XX: Per tutte le altre finiture fattibili riferirsi a questa fascia di prezzo. / Refer to this line of price for all other realizable finishes.

Non disponibile nelle finiture ON - BU - TT / Not available ON - BU - TT

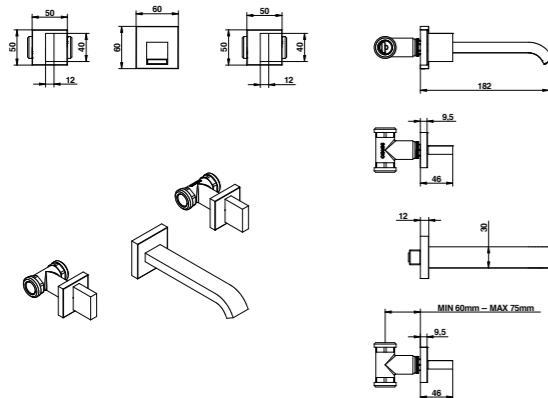
ABBINABILE A / TO MATCH WITH:
Sifone / Siphon - **00066CROO**

RICAMBI / SPARE PARTS

	9824		9380
--	-------------	--	-------------

43438/DA

Gruppo lavabo incasso 3 fori con bocca da 180 mm. 3 holes builtin basin mixer with 180 mm. spout.



ARTICOLO COMPLETO / COMPLETE ITEM

43438CRDA
CR

PARTE INCASSO BUILT-IN PART **PARTE ESTERNA DA ABBINARE EXTERNAL MATCHING PART**

FINITURE / FINISHES

09768/DQ

43438CRDAEU
CR

43438BMDAEU
BM/NE/NS

43438ORDAEU
OR/AM/OM/NM/HM

43438XXDAEU *
XX

* XX: Per tutte le altre finiture fattibili riferirsi a questa fascia di prezzo. / Refer to this line of price for all other realizable finishes.

Non disponibile nelle finiture ON - BU - TT / Not available ON - BU - TT

ABBINABILE A / TO MATCH WITH:
Sifone / Siphon - **00067CROO**
Piletta clic-clac / Clic-clac waste - **00079CROO**

PROLUNGA / MIXER EXTENSION

	00083/BW 2 pz. per articolo / 2 pcs. needed Cad. / Each
--	--

RICAMBI / SPARE PARTS

	9900 *		9900
	9380		

* Calda / Hot
□ Fredda / Cold

FINITURE E COLORI / FINISHES AND COLOURS

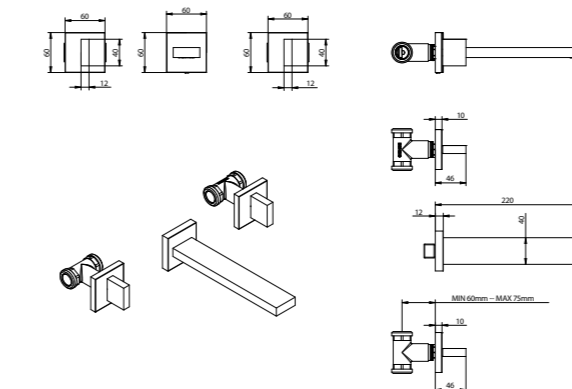


ACCESSORI COORDINATI / CO-ORDINATED ACCESSORIES PAG. 860

* Disponibile su richiesta / Available on demand

46438/DA

Gruppo lavabo incasso tre fori con bocca da 220 mm. 3 holes builtin basin mixer with 220 mm. spout.



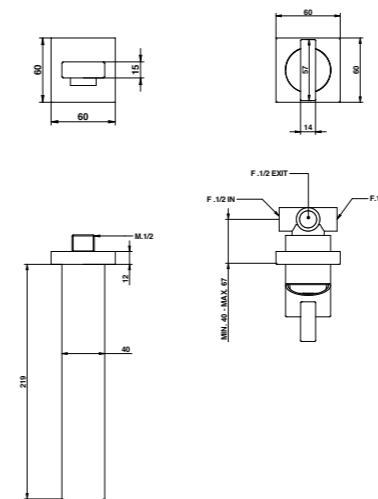
RICAMBI / SPARE PARTS

	9900 *		9900 □
	9984		

* Calda / Hot
□ Fredda / Cold

43538/22

Miscelatore lavabo incasso con bocca 220 mm. Built-in basin mixer with 220 mms. spout.



ARTICOLO COMPLETO / COMPLETE ITEM

46438CRDA
CR

PARTE INCASSO BUILT-IN PART **PARTE ESTERNA DA ABBINARE EXTERNAL MATCHING PART**

FINITURE / FINISHES

9768/DQ

46438CRDAEU
CR

46438BMDAEU
BM/NS/NE

46438ORDAEU
OM/OR/AM/NM/HM

46438XXDAEU *
XX

* XX: Per tutte le altre finiture fattibili riferirsi a questa fascia di prezzo. / Refer to this line of price for all other realizable finishes.

Non disponibile nelle finiture ON - BU - TT / Not available ON - BU - TT

ABBINABILE A / TO MATCH WITH:
Sifone / Siphon - **00067CROO**
Piletta clic-clac / Clic-clac waste - **00079CROO**

PROLUNGA / MIXER EXTENSION

	00083/BW 2 pz. per articolo / 2 pcs. needed Cad. / Each
--	--

ARTICOLO COMPLETO / COMPLETE ITEM

43538CR22
CR

PARTE INCASSO BUILT-IN PART **PARTE ESTERNA DA ABBINARE EXTERNAL MATCHING PART**

FINITURE / FINISHES

09761

43538CR22EU
CR

43538BMD2EU
BM/NE/NS

43538ORD2EU
OR/AM/OM/NM/HM

43538XX22EU *
XX

* XX: Per tutte le altre finiture fattibili riferirsi a questa fascia di prezzo. / Refer to this line of price for all other realizable finishes.

Non disponibile nelle finiture ON - BU - TT / Not available ON - BU - TT

ABBINABILE A / TO MATCH WITH:
Sifone / Siphon - **00067CROO**
Piletta clic-clac / Clic-clac waste - **00079CROO**

PROLUNGA / MIXER EXTENSION

	00100CRPRR
--	-------------------

RICAMBI / SPARE PARTS

	9813		9984
--	-------------	--	-------------

ACCESSORI E RICAMBI / ACCESSORIES AND SPARE PARTS



46538/16-22

Miscelatore lavabo incasso con bocca Built-in basin mixer with mms. 160-160-220 mm. 220 spout.



ARTICOLO COMPLETO / COMPLETE ITEM

46538CR16
CR

46538CR22
CR

PARTE INCASSO BUILT-IN PART	PARTE ESTERNA DA ABBINARE EXTERNAL MATCHING PART
--------------------------------	---

FINITURE / FINISHES

09761

46538CR16EU
CR

46538CR22EU
CR

46538BM16EU
BM/NS/NE

46538BM22EU
BM/NS/NE

46538OR16EU
OR/AM/NM/HM/
OM

46538OR22EU
OR/AM/NM/HM/
OM

46538XX16EU *
XX

46538XX22EU *
XX

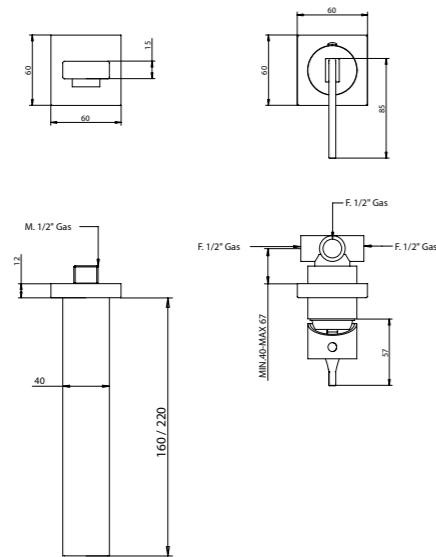
* XX: Per tutte le altre finiture fattibili riferirsi a questa fascia di prezzo. / Refer to this line of price for all other realizable finishes.

Non disponibile nelle finiture ON - BU - TT / Not available ON - BU - TT

ABBINABILE A / TO MATCH WITH:

Sifone / Siphon - **00067CR0Q**

Piletta clic-clac / Clic-clac waste - **00079CR0Q**



PROLUNGA / MIXER EXTENSION

00100CRPRR

RICAMBI / SPARE PARTS

9813 **9984**

FINITURE E COLORI / FINISHES AND COLOURS



ACCESSORI COORDINATI / CO-ORDINATED ACCESSORIES PAG. 860

* Disponibile su richiesta / Available on demand

46539/16-22

Miscelatore lavabo incasso con piastra e bocca Built-in basin mixer with plate and 160-160-220 mm. 220 mms. spout.



ARTICOLO COMPLETO / COMPLETE ITEM

46539CR16
CR

46539CR22
CR

PARTE INCASSO BUILT-IN PART	PARTE ESTERNA DA ABBINARE EXTERNAL MATCHING PART
--------------------------------	---

FINITURE / FINISHES

09729

46539CR16EU
CR

46539CR22EU
CR

46539NS16EU
NS/NE

46539NS22EU
NS/NE

46539OR16EU
OR/AM/NM/HM/
OM

46539OR22EU
OR/AM/NM/HM/
OM

46539XX16EU *
XX

46539XX22EU *
XX

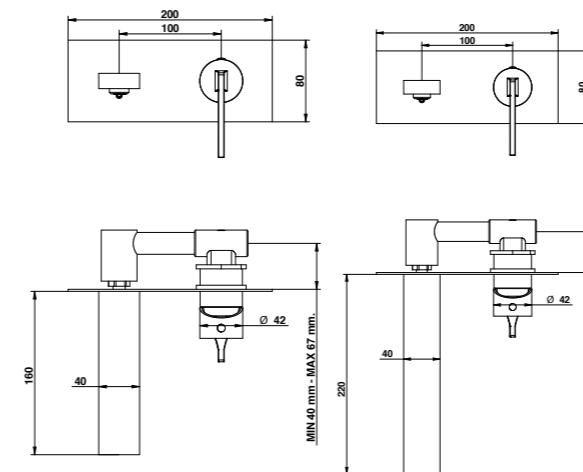
* XX: Per tutte le altre finiture fattibili riferirsi a questa fascia di prezzo. / Refer to this line of price for all other realizable finishes.

Non disponibile nelle finiture BM - ON - BU - TT / Not available BM - ON - BU - TT

ABBINABILE A / TO MATCH WITH:

Sifone / Siphon - **00067CR0Q**

Piletta clic-clac / Clic-clac waste - **00079CR0Q**



RICAMBI / SPARE PARTS

9813 **9984**

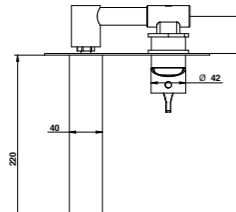
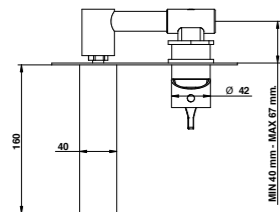
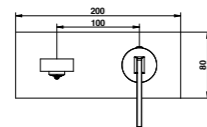
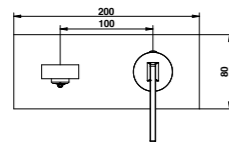
ACCESSORI E RICAMBI / ACCESSORIES AND SPARE PARTS



46539/16-22 MON AMOUR

Miscelatore lavabo incasso con piastra e bocca 160-220 mm.

Built-in basin mixer with plate and 160-220 mms. spout.



ARTICOLO COMPLETO / COMPLETE ITEM

46539TT1600
TT

46539TT2200
TT

PARTE INCASSO
BUILT-IN PART

PARTE ESTERNA DA ABBINARE
EXTERNAL MATCHING PART

FINITURE / FINISHES

09729

46539TT1600EU MON AMOUR
TT00

46539TT2200EU MON AMOUR
TT00

Non disponibile nelle finiture ON - BU - TT / Not available ON - BU - TT

ABBINABILE A / TO MATCH WITH:

Sifone / Siphon - **00067CR00**

Piletta clic-clac / Clic-clac waste - **00079CR00**

RICAMBI / SPARE PARTS



9813

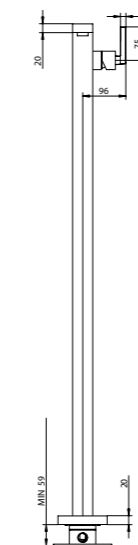
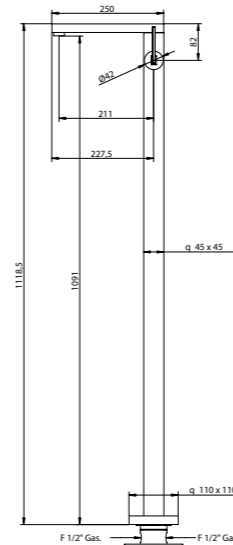


9984

46533

Miscelatore lavabo a pavimento.

Floor mounted basin mixer.



ARTICOLO COMPLETO / COMPLETE ITEM

46533CR00
CR

PARTE INCASSO
BUILT-IN PART

PARTE ESTERNA DA ABBINARE
EXTERNAL MATCHING PART

FINITURE / FINISHES

09744

46533CREU
CR

46533NEEU
NE/NS

46533OREU
OR/AM/NM/HM

46533XXEU *
XX

* XX: Per tutte le altre finiture fattibili riferirsi a questa fascia di prezzo. / Refer to this line of price for all other realizable finishes.

Non disponibile nelle finiture BM - ON - BU - TT / Not available BM - ON - BU - TT

ABBINABILE A / TO MATCH WITH:

Sifone / Siphon - **00067CR00**

Piletta clic-clac / Clic-clac waste - **00079CR00**

RICAMBI / SPARE PARTS



9813



9984

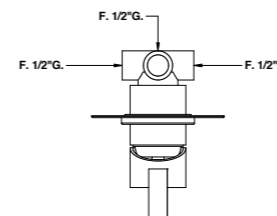
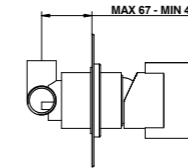
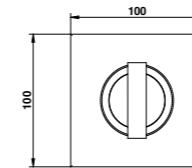


Art. 46539TT2200

43524/TR

Miscelatore incasso con cartuccia tradizionale.

Built-in mixer with traditional cartridge.



ARTICOLO COMPLETO / COMPLETE ITEM

43524CRTR
CR

PARTE INCASSO
BUILT-IN PART

PARTE ESTERNA DA ABBINARE
EXTERNAL MATCHING PART

FINITURE / FINISHES

09761

43524CRTREU
CR

43524BMTREU
BM/NS/NE

43524ORTREU
OR/AM/OM/HM/NM

43524XXTREU *
XX

* XX: Per tutte le altre finiture fattibili riferirsi a questa fascia di prezzo. / Refer to this line of price for all other realizable finishes.

Not available ON - BU - TT / Not available ON - BU - TT

PROLUNGA / MIXER EXTENSION



00100CRPRP

OPTIONAL: Scatola incasso per cartongesso / Built-in box for drywall and cavity wall **09702PBOX**

RICAMBI / SPARE PARTS



9813

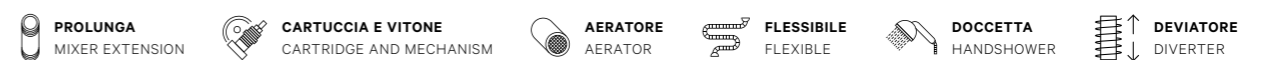
FINITURE E COLORI / FINISHES AND COLOURS



ACCESSORI COORDINATI / CO-ORDINATED ACCESSORIES PAG. 860

* Disponibile su richiesta / Available on demand

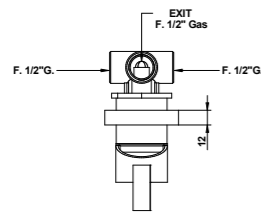
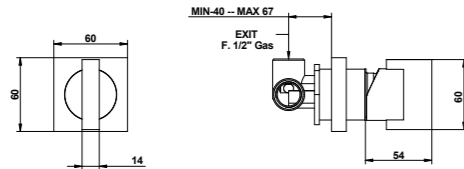
ACCESSORI E RICAMBI / ACCESSORIES AND SPARE PARTS



43524/RPTR

Miscelatore incasso doccia con cartuccia tradizionale

Built-in shower mixer with traditional cartridge



ARTICOLO COMPLETO / COMPLETE ITEM

43524CRRPTR
CR

PARTE INCASSO / BUILT-IN PART **PARTE ESTERNA DA ABBINARE** / EXTERNAL MATCHING PART

FINITURE / FINISHES

9761 **43524CRRPTREU**
CR

43524BMRPTREU
BM/NS/NE

43524ORRPTREU
OR/OM/AM/HM/
NM

43524XXRPTREU *
XX

* XX: Per tutte le altre finiture fattibili riferirsi a questa fascia di prezzo. / Refer to this line of price for all other realizable finishes.

Not available ON - BU - TT / Not available ON - BU - TT

PROLUNGA / MIXER EXTENSION

00100CRPRPR

OPTIONAL: Scatola incasso per cartongesso / Built-in box for drywall and cavity wall **09702PBOX**

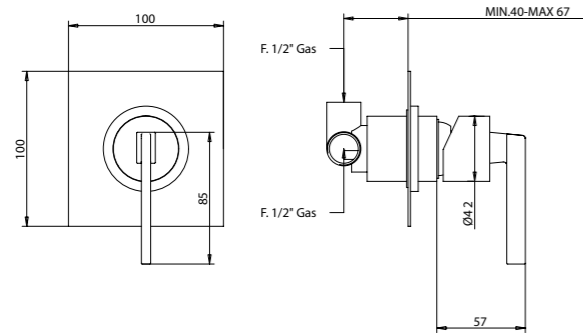
RICAMBI / SPARE PARTS

9813

46524

Miscelatore incasso con cartuccia tradizionale.

Built-in mixer with traditional cartridge.



ARTICOLO COMPLETO / COMPLETE ITEM

46524CROO
CR

PARTE INCASSO / BUILT-IN PART **PARTE ESTERNA DA ABBINARE** / EXTERNAL MATCHING PART

FINITURE / FINISHES

09761 **46524CREU**
CR

46524BMEU
BM/NS/NE

46524OREU
OR/AM/OM/HM/
NM

46524XXEU *
XX

* XX: Per tutte le altre finiture fattibili riferirsi a questa fascia di prezzo. / Refer to this line of price for all other realizable finishes.

Not disponibile nelle finiture ON - BU - TT / Not available ON - BU - TT

PROLUNGA / MIXER EXTENSION

00100CRPRPR

OPTIONAL: Scatola incasso per cartongesso / Built-in box for drywall and cavity wall **09702PBOX**

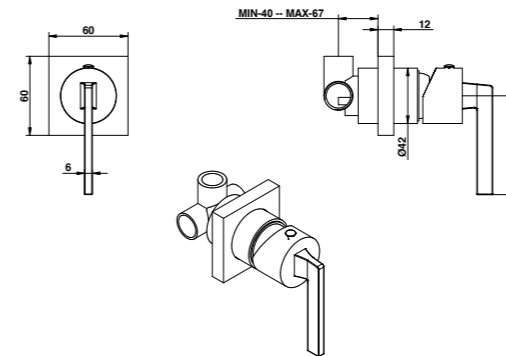
RICAMBI / SPARE PARTS

9813

46524/RP

Miscelatore incasso.

Built-in shower mixer.



ARTICOLO COMPLETO / COMPLETE ITEM

46524CRRP
CR

PARTE INCASSO / BUILT-IN PART **PARTE ESTERNA DA ABBINARE** / EXTERNAL MATCHING PART

FINITURE / FINISHES

09761 **46524CRRPEU**
CR

46524BMRPEU
BM/NS/NE

46524ORRPEU
OR/AM/OM/HM/
NM

46524XXRPEU *
XX

* XX: Per tutte le altre finiture fattibili riferirsi a questa fascia di prezzo. / Refer to this line of price for all other realizable finishes.

Non disponibile nelle finiture ON - BU - TT / Not available ON - BU - TT

PROLUNGA / MIXER EXTENSION

00100CRPRPR

OPTIONAL: Scatola incasso per cartongesso / Built-in box for drywall and cavity wall **09702PBOX**

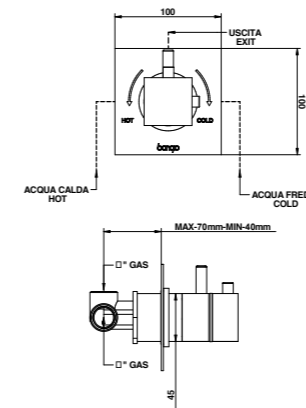
RICAMBI / SPARE PARTS

9813

43544

Miscelatore termostatico incasso coassiale.

Coaxial built-in thermostatic mixer.



ARTICOLO COMPLETO / COMPLETE ITEM

43544CROO
CR

43544BMOO *
BM/NS/NE

43544OROO *
OR/AM/OM/HM/NM

* Nelle varianti colore verniciate e satinare alcuni particolari saranno in finitura galvanica per garantire gli standard qualitativi. / To assure our quality standard on colored and satin product, some details remain in galvanic finishes.

Non disponibile nelle finiture ON - BU - TT / Not available ON - BU - TT

Pressione dinamica minima di utilizzo: 3 bar. Portata a pressione dinamica: 3 bar - 20,5 l/min - 38° Mix. / Minimum dynamic pressure of use: 3 bar. Flow rates at dynamic pressure: 3 bar - 20,5 l/min - 38° Mix.

Il corpo incasso non può essere anticipato. / Built-in body cannot be delivered separately in advance.

PROLUNGA / MIXER EXTENSION

00107CRPR

OPTIONAL: Scatola incasso per cartongesso / Built-in box for drywall and cavity wall **09702PBOX**

RICAMBI / SPARE PARTS

9811

FINITURE E COLORI / FINISHES AND COLOURS



ACCESSORI COORDINATI / CO-ORDINATED ACCESSORIES PAG. 860

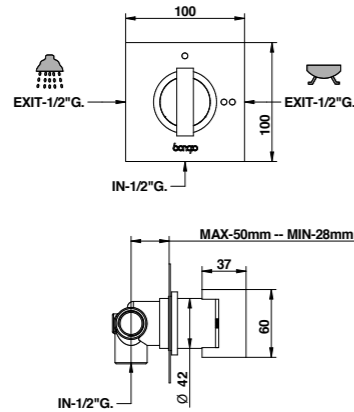
* Disponibile su richiesta / Available on demand

ACCESSORI E RICAMBI / ACCESSORIES AND SPARE PARTS



43525/2

Deviatore 1 entrata - 2 uscite 2 way diverter (1 in - 2 out).



ARTICOLO COMPLETO / COMPLETE ITEM

43525CR02
CR

PARTE INCASSO BUILT-IN PART
PARTE ESTERNA DA ABBINARE EXTERNAL MATCHING PART

9491/2

FINITURE / FINISHES

43525CR02EU
CR

43525BM02EU
BM/NS/NE

67525OR02PREU
OR/AM/OM/NM/
HM

67525XX02PREU *
XX

* XX: Per tutte le altre finiture fattibili riferirsi a questa fascia di prezzo. / Refer to this line of price for all other realizable finishes.

Non disponibile nelle finiture ON - BU - TT / Not available ON - BU - TT

ABBINABILE A / TO MATCH WITH:
Miscelatore termostatico / Thermostatic mixer - **43544**
Miscelatore / Mixer - **43524/TR**

PROLUNGA / MIXER EXTENSION

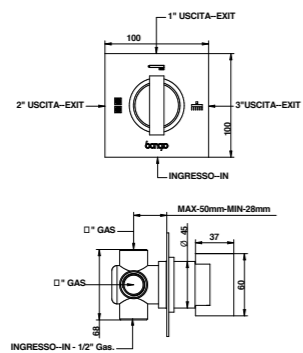
00109CRPR

RICAMBI / SPARE PARTS

9808/02

43525/3

Deviatore 3-vie (1 entrata - 3 uscite). 3-way diverter (1 in - 3 out).



ARTICOLO COMPLETO / COMPLETE ITEM

43525CR03
CR

PARTE INCASSO BUILT-IN PART
PARTE ESTERNA DA ABBINARE EXTERNAL MATCHING PART

9494

FINITURE / FINISHES

43525CR03EU
CR

43525BM03EU
BM/NS/NE

43525OR03EU
OR/AM/OM/NM/
HM

43525XX03EU *
XX

* XX: Per tutte le altre finiture fattibili riferirsi a questa fascia di prezzo. / Refer to this line of price for all other realizable finishes.

Non disponibile nelle finiture ON - BU - TT / Not available ON - BU - TT

ABBINABILE A / TO MATCH WITH:
Miscelatore termostatico / Thermostatic mixer - **43544**
Miscelatore / Mixer - **43524/TR**

PROLUNGA / MIXER EXTENSION

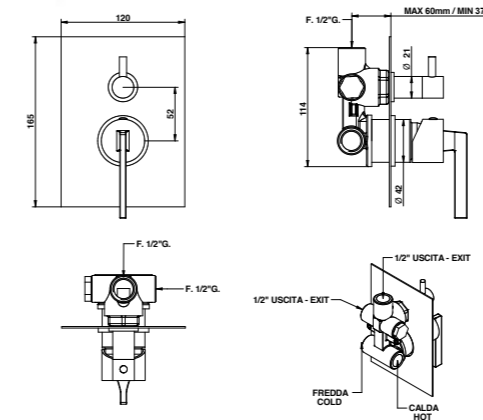
00109CRPR

RICAMBI / SPARE PARTS

9808

46519

Miscelatore incasso con deviatore meccanico a 2 uscite. Built-in mixer with 2 way mechanical diverter.



ARTICOLO COMPLETO / COMPLETE ITEM

46519CR00
CR

PARTE INCASSO BUILT-IN PART
PARTE ESTERNA DA ABBINARE EXTERNAL MATCHING PART

09763

FINITURE / FINISHES

46519CR00
CR

46519BMEU
BM/NS/NE

46519OREU
OR/AM/OM/HM/
NM

46519XXEU *
XX

* XX: Per tutte le altre finiture fattibili riferirsi a questa fascia di prezzo. / Refer to this line of price for all other realizable finishes.

Non disponibile nelle finiture ON - BU - TT / Not available ON - BU - TT

PROLUNGA / MIXER EXTENSION

00102CRPRP3

OPTIONAL: Scatola incasso per cartongesso / Built-in box for drywall and cavity wall **09702PBOX**

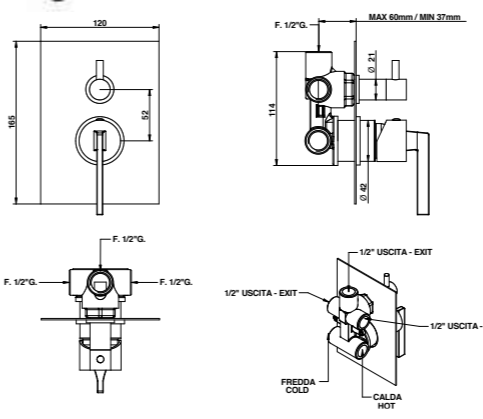
RICAMBI / SPARE PARTS

9813

9861

46519/3

Miscelatore incasso con deviatore meccanico a 3 uscite. Built-in mixer with 3 way mechanical diverter.



ARTICOLO COMPLETO / COMPLETE ITEM

46519CR03
CR

PARTE INCASSO BUILT-IN PART
PARTE ESTERNA DA ABBINARE EXTERNAL MATCHING PART

09763/3

FINITURE / FINISHES

46519CR03EU
CR

46519BM03EU
BM/NS/NE

46519OR03EU
OR/AM/HM/NM

46519XX03EU *
XX

* XX: Per tutte le altre finiture fattibili riferirsi a questa fascia di prezzo. / Refer to this line of price for all other realizable finishes.

Non disponibile nelle finiture ON - BU - TT / Not available ON - BU - TT

PROLUNGA / MIXER EXTENSION

00102CRPRP3

OPTIONAL: Scatola incasso per cartongesso / Built-in box for drywall and cavity wall **09702PBOX**

RICAMBI / SPARE PARTS

9813

09860

FINITURE E COLORI / FINISHES AND COLOURS



ACCESSORI COORDINATI / CO-ORDINATED ACCESSORIES PAG. 860

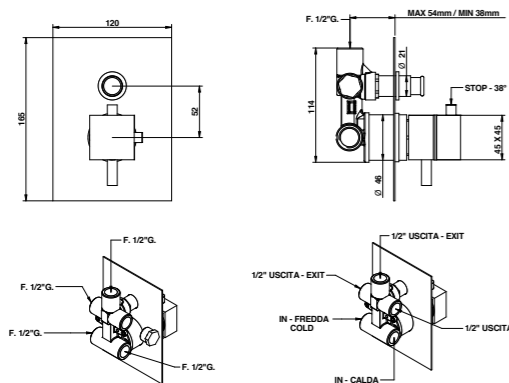
* Disponibile su richiesta / Available on demand

ACCESSORI E RICAMBI / ACCESSORIES AND SPARE PARTS



43549

Miscelatore termostatico incasso coassiale con deviatore automatico a 2 uscite. / Coaxial built-in thermostatic mixer with 2 way automatic diverter.



ARTICOLO COMPLETO / COMPLETE ITEM

43549CR00
CR
43549BM00 *
BM/NS/NE
43549OR00 *
OR/AM/OM/NM/HM

* Nelle varianti colore verniciate e satinare alcuni particolari saranno in finitura galvanica per garantire gli standard qualitativi. / To assure our quality standard on colored and satin product, some details remain in galvanic finishes.

Non disponibile nelle finiture ON - BU - TT / Not available ON - BU - TT

Pressione dinamica minima di utilizzo: 3 bar. Portata a pressione dinamica: 3 bar - 20,5 l/min - 38° Mix. / Minimum dynamic pressure of use: 3 bar. Flow rates at dynamic pressure: 3 bar - 20,5 l/min - 38° Mix.

Il corpo incasso non può essere anticipato. / Built-in body cannot be delivered separately in advance.

PROLUNGA / MIXER EXTENSION

00108CRPRR

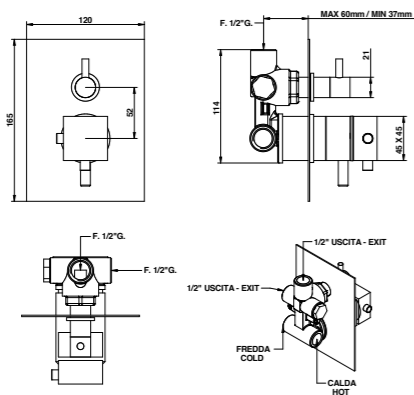
OPTIONAL: Scatola incasso per cartongesso / Built-in box for drywall and cavity wall **09702PBOX**

RICAMBI / SPARE PARTS

9811 **00114CRPR**

43569

Termostatico incasso coassiale con deviatore meccanico a 2 uscite. / Coaxial built-in thermostatic mixer with 2 way mechanical diverter.



ARTICOLO COMPLETO / COMPLETE ITEM

43569CR00
CR

PARTE INCASSO BUILT-IN PART **PARTE ESTERNA DA ABBINARE** EXTERNAL MATCHING PART

FINITURE / FINISHES

9766 **43569CREU**
CR
43569BMEU *
BM/NS/NE
43569OREU *
OR/AM/OM/HM/
NM
43569XXEU ◻
XX

* Nelle varianti colore verniciate e satinare alcuni particolari saranno in finitura galvanica per garantire gli standard qualitativi. / To assure our quality standard on colored and satin product, some details remain in galvanic finishes.
◻ XX: Per tutte le altre finiture fattibili riferirsi a questa fascia di prezzo. / Refer to this line of price for all other realizable finishes.

Non disponibile nelle finiture ON - BU - TT / Not available ON - BU - TT

Pressione dinamica minima di utilizzo: 3 bar. / Minimum dynamic pressure of use: 3 bar.

Portata a pressione dinamica: 3 bar - 20,5 l/min - 38° Mix. / Flow rates at dynamic pressure: 3 bar - 20,5 l/min - 38° Mix.

PROLUNGA / MIXER EXTENSION

00102CRPRP3

OPTIONAL: Scatola incasso per cartongesso / Built-in box for drywall and cavity wall **09702PBOX**

RICAMBI / SPARE PARTS

9250 **09861**

FINITURE E COLORI / FINISHES AND COLOURS

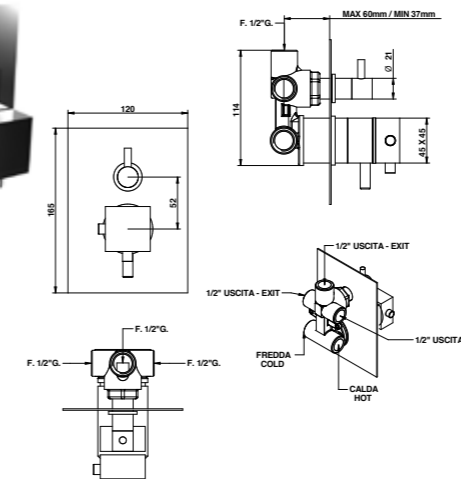


ACCESSORI COORDINATI / CO-ORDINATED ACCESSORIES PAG. 860

* Disponibile su richiesta / Available on demand

43569/3

Miscelatore termostatico incasso coassiale con deviatore meccanico a 3 uscite. / Coaxial built-in thermostatic mixer with 3 way mechanical diverter.



ARTICOLO COMPLETO / COMPLETE ITEM

43569CR03
CR

PARTE INCASSO BUILT-IN PART **PARTE ESTERNA DA ABBINARE** EXTERNAL MATCHING PART

FINITURE / FINISHES

9766/03 **43569CR03EU**
CR
43569BM03EU *
BM/NS/NE
43569OR03EU *
OR/AM/OM/HM/
NM
43569XX03EU ◻
XX

* Nelle varianti colore verniciate e satinare alcuni particolari saranno in finitura galvanica per garantire gli standard qualitativi. / To assure our quality standard on colored and satin product, some details remain in galvanic finishes.
◻ XX: Per tutte le altre finiture fattibili riferirsi a questa fascia di prezzo. / Refer to this line of price for all other realizable finishes.

Non disponibile nelle finiture ON - BU - TT / Not available ON - BU - TT

Pressione dinamica minima di utilizzo: 3 bar. / Minimum dynamic pressure of use: 3 bar.

Portata a pressione dinamica: 3 bar - 20,5 l/min - 38° Mix. / Flow rates at dynamic pressure: 3 bar - 20,5 l/min - 38° Mix.

PROLUNGA / MIXER EXTENSION

00102CRPRP3

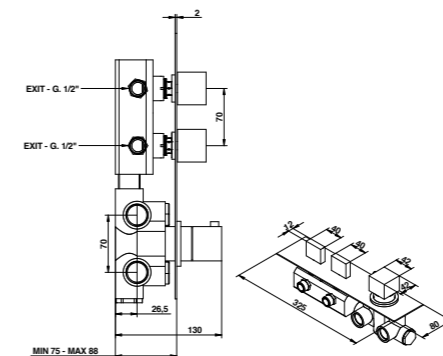
OPTIONAL: Scatola incasso per cartongesso / Built-in box for drywall and cavity wall **09702PBOX**

RICAMBI / SPARE PARTS

9250 **09860**

43542/02DA

Miscelatore termostatico incasso con 2 rubinetti di apertura/chiusura su piastra unica (2 uscite). Montaggio disponibile sia in verticale che orizzontale. / Built-in thermostatic mixer with 2 open/close taps on single plate (2 way). Available mounting both vertically and horizontally.



ARTICOLO COMPLETO / COMPLETE ITEM

43542CR02DA
CR

PARTE INCASSO BUILT-IN PART **PARTE ESTERNA DA ABBINARE** EXTERNAL MATCHING PART

FINITURE / FINISHES

09730/02DA **43542CR02DAEU**
CR
43542NS02DAEU *
NS/NE
43542OR02DAEU *
OR/AM/OM/HM/
NM
43542XX02DAEU ◻
XX

* Nelle varianti colore verniciate e satinare alcuni particolari saranno in finitura galvanica per garantire gli standard qualitativi. / To assure our quality standard on colored and satin product, some details remain in galvanic finishes.
◻ XX: Per tutte le altre finiture fattibili riferirsi a questa fascia di prezzo. / Refer to this line of price for all other realizable finishes.

Non disponibile in BU - TT - BM - ON / Not available BU - TT - BM - ON

Portata a pressione dinamica: 3 bar - 23 l/min. / Flow rates at dynamic pressure: 3 bar - 23 l/min.

PROLUNGA / MIXER EXTENSION

00112CR02DAPR

RICAMBI / SPARE PARTS

09845 * **9794/DQ** ◻

* Cartuccia miscelatrice / Mixer cartridge
◻ Vitone di apertura-chiusura / Open-close cartridge

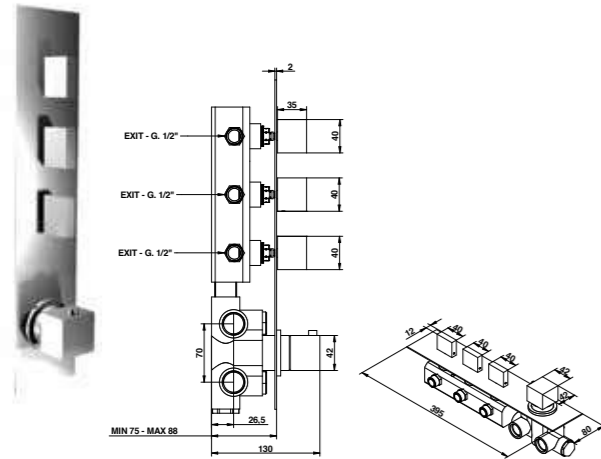
ACCESSORI E RICAMBI / ACCESSORIES AND SPARE PARTS



43542/03DA

Miscelatore termostatico incasso con 3 rubinetti di apertura/chiusura su piastra unica (3 uscite).
Montaggio disponibile sia in verticale che orizzontale.

Built-in thermostatic mixer with 3 open/close taps on single plate (3 ways). Available mounting both vertically and horizontally.



RICAMBI / SPARE PARTS

	09845 *		9794/DQ ◻
--	---------	--	-----------

* Cartuccia miscelatrice / Mixer cartridge
◻ Vitone di apertura-chiusura / Open-close cartridge

ARTICOLO COMPLETO / COMPLETE ITEM

43542CR03DA
CR

PARTE INCASSO BUILT-IN PART	PARTE ESTERNA DA ABBINARE EXTERNAL MATCHING PART
--------------------------------	---

09730/03DA

FINITURE / FINISHES

43542CR03DAEU
CR

43542NS03DAEU *
NS/NE

43542OR03DAEU *
OR/AM/HM/OM/
NM

43542XX03DAEU ◻
XX

* Nelle varianti colore verniciate e satinare alcuni particolari saranno in finitura galvanica per garantire gli standard qualitativi. / To assure our quality standard on colored and satin product, some details remain in galvanic finishes.
◻ XX: Per tutte le altre finiture fattibili riferirsi a questa fascia di prezzo. / Refer to this line of price for all other realizable finishes.

Non disponibile in BU - TT - BM - ON / Not available BU - TT - BM - ON

Portata a pressione dinamica: 3 bar - 23 l/min. / Flow rates at dynamic pressure: 3 bar - 23 l/min.

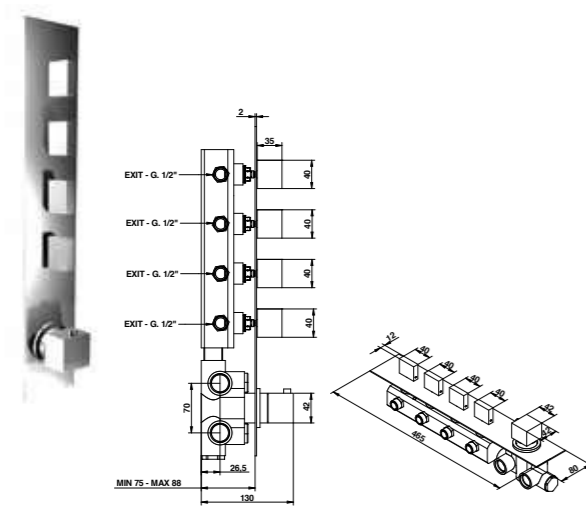
PROLUNGA / MIXER EXTENSION

	00112CR03DAPR
--	---------------

43542/04DA

Miscelatore termostatico incasso con 4 rubinetti di apertura/chiusura su piastra unica (4 uscite).
Montaggio disponibile sia in verticale che orizzontale.

Built-in thermostatic mixer with 4 open/close taps on single plate (4 ways). Available mounting both vertically and horizontally.



RICAMBI / SPARE PARTS

	09845 *		9794/DQ ◻
--	---------	--	-----------

* Cartuccia miscelatrice / Mixer cartridge
◻ Vitone di apertura-chiusura / Open-close cartridge

ARTICOLO COMPLETO / COMPLETE ITEM

43542CR04DA
CR

PARTE INCASSO BUILT-IN PART	PARTE ESTERNA DA ABBINARE EXTERNAL MATCHING PART
--------------------------------	---

09730/04DA

FINITURE / FINISHES

43542CR04DAEU
CR

43542NS04DAEU *
NS/NE

43542OR04DAEU *
OR/AM/HM/OM/
NM

43542XX04DAEU ◻
XX

* Nelle varianti colore verniciate e satinare alcuni particolari saranno in finitura galvanica per garantire gli standard qualitativi. / To assure our quality standard on colored and satin product, some details remain in galvanic finishes.
◻ XX: Per tutte le altre finiture fattibili riferirsi a questa fascia di prezzo. / Refer to this line of price for all other realizable finishes.

Non disponibile in BU - TT - BM - ON / Not available BU - TT - BM - ON

Portata a pressione dinamica: 3 bar - 23 l/min. / Flow rates at dynamic pressure: 3 bar - 23 l/min.

PROLUNGA / MIXER EXTENSION

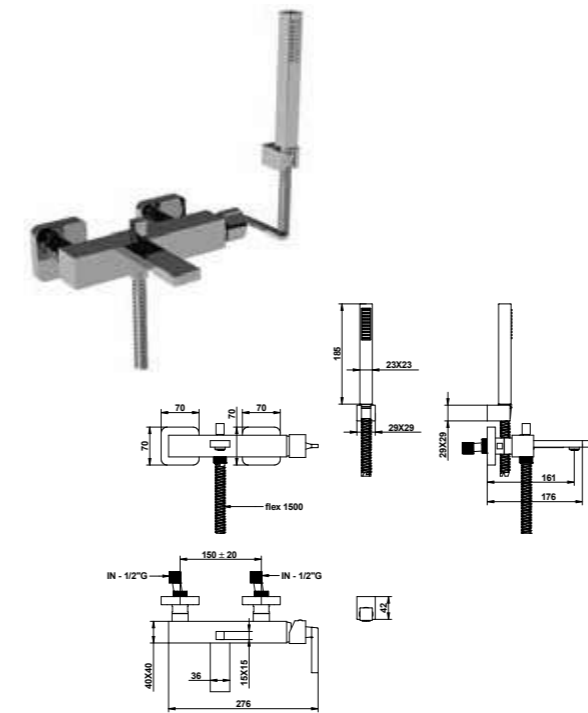
	00112CR04DAPR
--	---------------

43526/0D

Miscelatore vasca esterna con set doccia.

External bath and shower mixer with shower set.

Dettaglio flessibili / Flexible details pag. 42



ARTICOLO COMPLETO / COMPLETE ITEM

43526CR0D
CR

43526NS0D
NS/NE

43526OR0D *
OR/AM/OM/NM/HM

43526XX0D ◻
XX

* Nelle varianti colore verniciate e satinare alcuni particolari saranno in finitura galvanica per garantire gli standard qualitativi. / To assure our quality standard on colored and satin product, some details remain in galvanic finishes.

◻ XX: Per tutte le altre finiture fattibili riferirsi a questa fascia di prezzo. / Refer to this line of price for all other realizable finishes.

Non disponibile nelle finiture BM - ON - BU - TT / Not available BM - ON - BU - TT

RICAMBI / SPARE PARTS

	9838		9982
	9600CR		00854CR
	00115CRPR		00854XX00 *
	9600XXPV ◻		

* Ricambio per finiture diverse dal cromo. / Spare part for different finishes.
◻ Per le finiture verniciate e satinare il flessibile verrà fornito in PVC nero. / The flexible hose will be supplied in black PVC for painted and matt finishes.

43534/D

Gruppo bordo vasca 4 fori con cartuccia progressiva.

Four holes deck bath and shower mixer with progressive cartridge.



ARTICOLO COMPLETO / COMPLETE ITEM

43534CR0D
CR

43534BMOD
BM/NS/NE

43534OR0D
OR/AM/OM/HM/NM

43534XX0D *
XX

* XX: Per tutte le altre finiture fattibili riferirsi a questa fascia di prezzo. / Refer to this line of price for all other realizable finishes.

Non disponibile nelle finiture ON - BU - TT / Not available ON - BU - TT

RICAMBI / SPARE PARTS

	9822		9982CR
	9606CR		00854CROE
	9821		00854XX00 *

* Ricambio per finiture diverse dal cromo. / Spare part for different finishes.

FINITURE E COLORI / FINISHES AND COLOURS



ACCESSORI COORDINATI / CO-ORDINATED ACCESSORIES PAG. 860

* Disponibile su richiesta / Available on demand

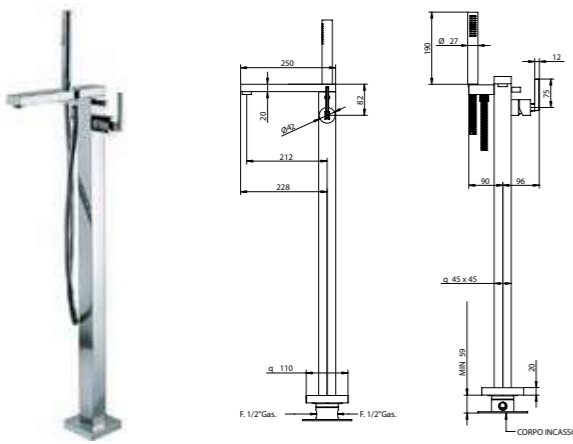
ACCESSORI E RICAMBI / ACCESSORIES AND SPARE PARTS



46534/D

Miscelatore vasca a pavimento con set doccia e deviatore. Floor mounted bath mixer with shower set and diverter.

Dettaglio flessibili / Flexible details pag. 42



RICAMBI / SPARE PARTS

	9813		9998CR
	9600CR		00850CR0E
	00138		00850XX00 *
	9600XXPV [Ⓜ]		

ARTICOLO COMPLETO / COMPLETE ITEM

46534CR0D
CR

PARTE INCASSO BUILT-IN PART
PARTE ESTERNA DA ABBINARE EXTERNAL MATCHING PART

09744

FINITURE / FINISHES

46534CR0DEU
CR

46534NE0DEU *
NE/NS

46534OR0DEU *
OR/AM/OM/NM/
HM

46534XX0DEU [Ⓜ]
XX

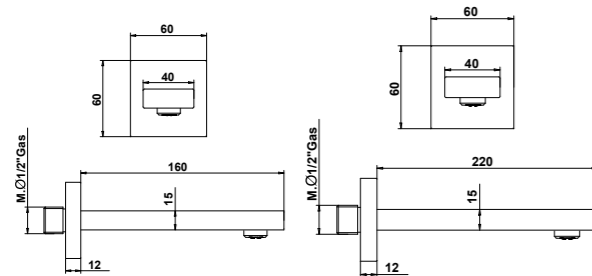
* Nelle varianti colore verniciate e satinare alcuni particolari saranno in finitura galvanica per garantire gli standard qualitativi. / To assure our quality standard on colored and satin product, some details remain in galvanic finishes.

[Ⓜ] XX: Per tutte le altre finiture fattibili riferirsi a questa fascia di prezzo. / Refer to this line of price for all other realizable finishes.

* Ricambio per finiture diverse dal cromo. / Spare part for different finishes.
[Ⓜ] Per le finiture verniciate e satinare il flessibile verrà fornito in PVC nero. / The flexible hose will be supplied in black PVC for painted and matt finishes.

992/16-22

Bocca incasso 160/220 mm. 160/220 mms. built-in spout.



ARTICOLO COMPLETO / COMPLETE ITEM

00992CR16
CR

00992CR22
CR

00992NS16
NS/NE

00992NE22
NE/NS

00992OR16
OR/AM/BM/HM/NM/OM

00992AM22
AM/OM/BM/HM/NM/OR

00992XX16
XX

00992XX22 *
XX

* XX: Per tutte le altre finiture fattibili riferirsi a questa fascia di prezzo. / Refer to this line of price for all other realizable finishes.

Non disponibile nelle finiture ON - BU - TT / Not available ON - BU - TT

RICAMBI / SPARE PARTS

	9984
--	------

FINITURE E COLORI / FINISHES AND COLOURS

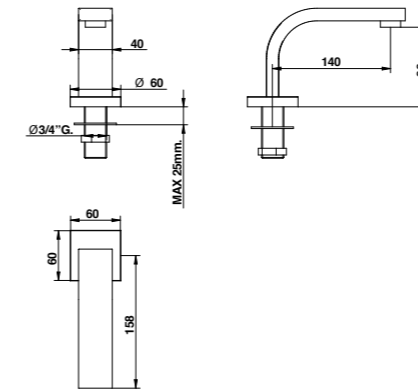


ACCESSORI COORDINATI / CO-ORDINATED ACCESSORIES PAG. 860

* Disponibile su richiesta / Available on demand

1010

Bocca bordo vasca. Deck-bath spout.



ARTICOLO COMPLETO / COMPLETE ITEM

01010CR00
CR

01010NS00
NS/NE

01010BM00
BM/HM/NM/OR/AM/OM

01010XX00 *
XX

* XX: Per tutte le altre finiture fattibili riferirsi a questa fascia di prezzo. / Refer to this line of price for all other realizable finishes.

Non disponibile nelle finiture ON - BU - TT / Not available ON - BU - TT

RICAMBI / SPARE PARTS

	9982CR
--	--------



Art. 46534CR0D

ACCESSORI E RICAMBI / ACCESSORIES AND SPARE PARTS



STELTH

DESIGN BY MARCO POLETTI



#tropicalchic

1

Wild
ELEGANCE

#naturalbashion



2

ELEGANTI CONTAMINAZIONI

Elegant cross-overs

Una collezione di rubinetteria e accessori caratterizzata da superfici planari che riflettono la luce. Un taglio a diamante per una serie raffinata, collocata in importanti progetti di prestigio internazionale come l'hotel Ritz Carlton, Jumeirah Beach Dubai e il lussuoso Negarestan Complex a Teheran.

A collection of kitchen and bathroom taps and accessories whose distinct feature are the flat, level surfaces that reflect light. A diamond-cut design for a refined series used for the interior design of the world's leading hotels like the Ritz Carlton, Jumeirah Beach Dubai and the luxurious Negarestan Complex in Teheran.



3

#travelgram



1. Art. 01521CN00
2. Art. 01524CN00 + Art. 01881CN00
3. Art. 01001CN00





#naturalcomfort

LAVABO / WASHBASIN
Art. 01521CN00

DOCCIA / SHOWER
Art. 01519CN03
Art. 00834CNB1
Art. 00867CNNO
Art. 01881CN00

ACCESSORI / ACCESSORIES
Art. 01007CN60
Art. 43027CNDA
Art. 01001CN00

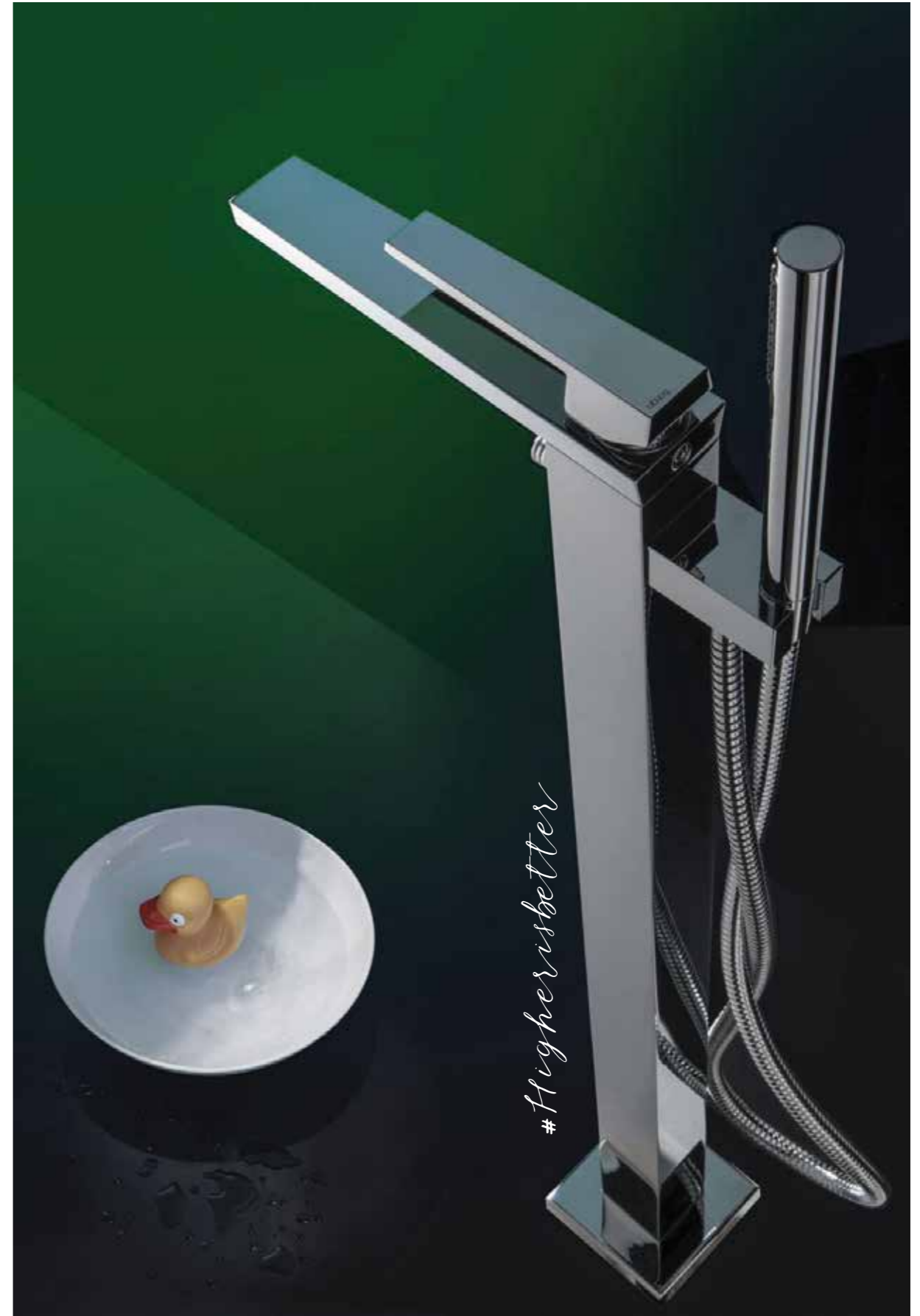


goldenhour



LAVABO / WASHBASIN
Art. 01538OR16

ACCESSORI / ACCESSORIES
Art. 01007OR40



#Higherisbetter

VASCA / BATHTUB
Art. 01534CR0D



LAVABO / WASHBASIN
 Art. 01521CR00
 Art. 01538CR16



#Wildperfection

INFORMAZIONI TECNICHE

Technical details



CARTUCCIA: La serie Stelth è dotata di diverse tipologie di cartucce: cartuccia ø 25 mm, cartuccia ø 35 mm senza distributore. La temperatura d'impianto non deve superare i 70°C. La pressione di esercizio dell'impianto consigliata è di 3 bar.

EROGAZIONE: La serie Stelth ha un tipo di erogazione morbida. **I lavabi e i bidet sono forniti con limitatore di portata da 6l/m.**

SISTEMI DI DEVIAZIONE: I deviatori Bongio sono testati per funzionare da un minimo di 0,5 bar pressione.

INSTALLAZIONE: Tutti gli articoli ad incasso Bongio completi sono forniti di relative parti da incassare. Per i miscelatori lavabo e bidet da installarsi su piano, devono essere realizzati fori di ø 35 mm. massimo.

CARTRIDGE: Stelth series uses different kind of cartdiges: ø 25 mms, ø 35 mms without distributor and 1/4' turn ceramic disc mechanism.

The temperature of the plant must not exceed 70°. The ideal working pressure of the plant is 3 bar.

SUPPLY: Stelth series has a soft supply. **Basin and bidet mixers have a standard limitatio of flow to 6l/m.**

DIVERTING SYSTEMS: Bongio diverters have been tested to work properly starting from a minimum 0,5 bar pressure

INSTALLATION: All the built-in Bongio items are available with universal raw built-in body.

For the basin and bidet mixers - single or three holes - to be place on top deck, they require ø 35 mms maximum holes.



#refinedline

FINITURE E COLORI / FINISHES AND COLOURS

DETTAGLI / MORE INFO PAG. 38



CR
Cromo
Chrome



CN
Cromo Nero
Black Chrome



NM
Cromo Nero Satinato
Matt Black Chrome



OR
Oro 24kt
24kt Gold



HM
Oro Francese Satinato
Matt French Gold



AM
Oro Rosa Satinato
Matt Rose Gold



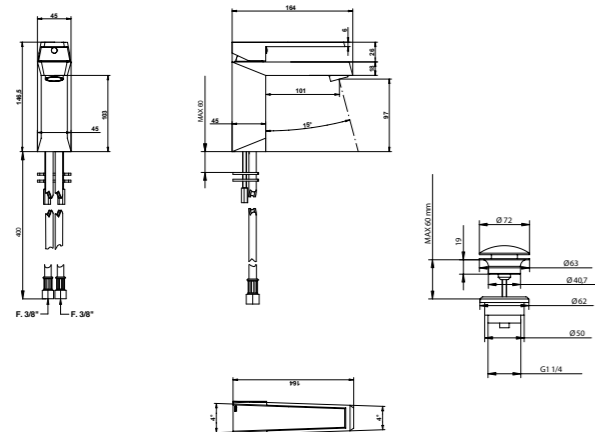
NS
Nichel Spazzolato
Brushed Nickel



NE
Nero Opaco
Matt Black
(RAL 9005)

01521

Miscelatore lavabo con piletta clic-clac. Basin mixer with clic-clac waste.



ARTICOLO COMPLETO / COMPLETE ITEM

- 01521CR00**
CR
- 01521NS00**
NS/NE
- 01521CN00**
CN/OR/NM/HM/AM
- 01521XX00 ***
XX

* XX: Per tutte le altre finiture fattibili riferirsi a questa fascia di prezzo. / Refer to this line of price for all other realizable finishes.

Non disponibile in BM - BU - ON - TT / Not available BM - BU - ON - TT

ABBINABILE A / TO MATCH WITH:
Sifone / Siphon - **00067CR00**

PROLUNGA / MIXER EXTENSION

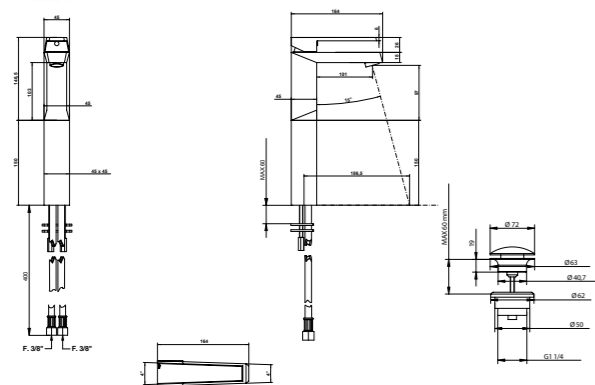
- 00932CR15**

RICAMBI / SPARE PARTS

- | | |
|-------------|----------------|
| 9818 | 09998CR |
|-------------|----------------|

01532

Miscelatore lavabo con prolunga 150 mm con piletta clic-clac. Basin mixer with 150 mm extension with clic-clac waste.



ARTICOLO COMPLETO / COMPLETE ITEM

- 01532CR00**
CR
- 01532NS00**
NS/NE
- 01532CN00**
CN/OR/NM/HM/AM
- 01532XX00 ***
XX

* XX: Per tutte le altre finiture fattibili riferirsi a questa fascia di prezzo. / Refer to this line of price for all other realizable finishes.

Non disponibile in BM - BU - ON - TT / Not available BM - BU - ON - TT

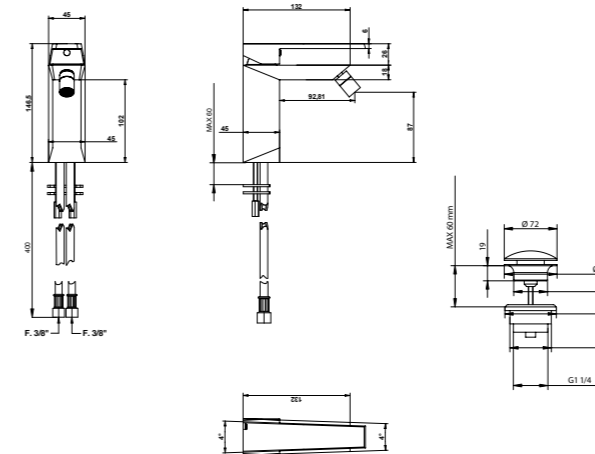
ABBINABILE A / TO MATCH WITH:
Sifone / Siphon - **00067CR00**

RICAMBI / SPARE PARTS

- | | |
|-------------|----------------|
| 9818 | 09998CR |
|-------------|----------------|

01522

Miscelatore bidet con piletta clic-clac. Bidet mixer with clic-clac waste.



ARTICOLO COMPLETO / COMPLETE ITEM

- 01522CR00**
CR
- 01522NS00**
NS/NE
- 01522CN00**
CN/OR/NM/HM/AM
- 01522XX00 ***
XX

* XX: Per tutte le altre finiture fattibili riferirsi a questa fascia di prezzo. / Refer to this line of price for all other realizable finishes.

Non disponibile in BM - BU - ON - TT / Not available BM - BU - ON - TT

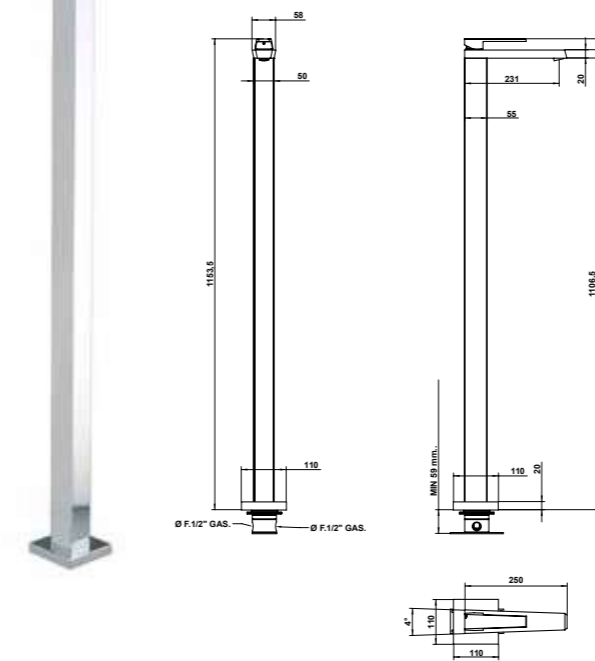
ABBINABILE A / TO MATCH WITH:
Sifone / Siphon - **00066**

RICAMBI / SPARE PARTS

- | | |
|-------------|----------------|
| 9818 | 09977CR |
|-------------|----------------|

01533

Miscelatore lavabo da terra. Floor mounted basin mixer.



ARTICOLO COMPLETO / COMPLETE ITEM

- 01533CR00**
CR

PARTE INCASSO BUILT-IN PART	PARTE ESTERNA DA ABBINARE EXTERNAL MATCHING PART
09744	01533CREU CR
	01533NSEU NS/NE
	01533CNEU CN/OR/NM/HM/AM
	01533XXEU * XX

FINITURE / FINISHES

* XX: Per tutte le altre finiture fattibili riferirsi a questa fascia di prezzo. / Refer to this line of price for all other realizable finishes.

Non disponibile in BM - BU - ON - TT / Not available BM - BU - ON - TT

ABBINABILE A / TO MATCH WITH:
Piletta clic-clac / Clic-clac waste - **00079**
Sifone / Siphon - **00067**

RICAMBI / SPARE PARTS

- | | |
|-------------|----------------|
| 9813 | 09998CR |
|-------------|----------------|

FINITURE E COLORI / FINISHES AND COLOURS



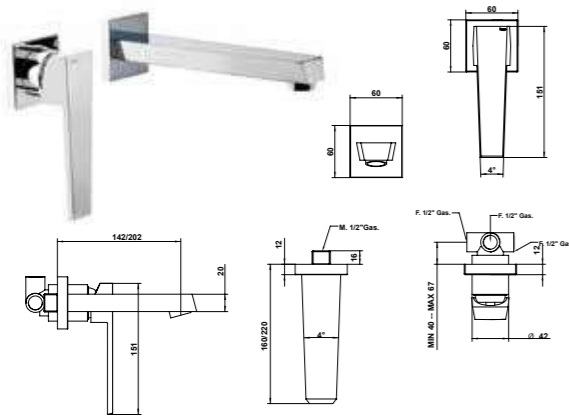
ACCESSORI COORDINATI / CO-ORDINATED ACCESSORIES PAG. 848

ACCESSORI E RICAMBI / ACCESSORIES AND SPARE PARTS



01538/16-22

Miscelatore lavabo incasso con bocca Built in basin mixer with 160 / 220
160 e da 220 mm. mms. spout.



Non disponibile in BM - BU - ON - TT / Not available BM - BU - ON - TT

ABBINABILE A / TO MATCH WITH:
Piletta clic-clac / Clic-clac waste - **00079**
Sifone / Siphon - **00067CROQ**

PROLUNGA / MIXER EXTENSION

00100CRPRR

RICAMBI / SPARE PARTS

9813 **09998CR**

ARTICOLO COMPLETO / COMPLETE ITEM

01538CR16
CR

01538CR22
CR

PARTE INCASSO **PARTE ESTERNA DA ABBINARE**
BUILT-IN PART EXTERNAL MATCHING PART

09761

FINITURE / FINISHES

01538CR16EU
CR

01538CR22EU
CR

01538NS16EU
NS/NE

01538NS22EU
NS/NE

01538CN16EU
CN/OR/NM/HM/
AM

01538CN22EU
CN/OR/NM/HM/
AM

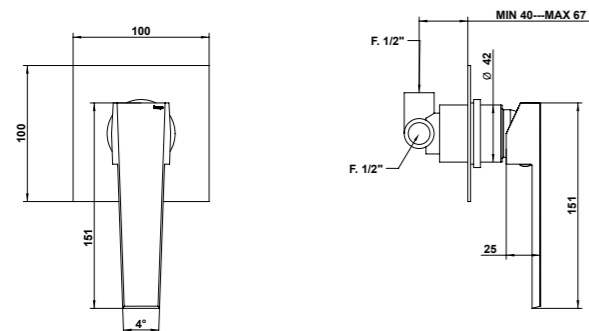
01538XX16EU *
XX

01538XX22EU *
XX

* XX: Per tutte le altre finiture fattibili riferirsi a questa fascia di prezzo. / Refer to this line of price for all other realizable finishes.

01524

Miscelatore incasso. Built in mixer.



ARTICOLO COMPLETO / COMPLETE ITEM

01524CROO
CR

PARTE INCASSO **PARTE ESTERNA DA ABBINARE**
BUILT-IN PART EXTERNAL MATCHING PART

09761

FINITURE / FINISHES

01524CREU
CR

01524NEEU
NE/NS

01524CNEU
CN/OR/NM/HM/
AM

01524XXEU *
XX

* XX: Per tutte le altre finiture fattibili riferirsi a questa fascia di prezzo. / Refer to this line of price for all other realizable finishes.

Non disponibile in BM - BU - ON - TT / Not available BM - BU - ON - TT

PROLUNGA / MIXER EXTENSION

00100CRPRR

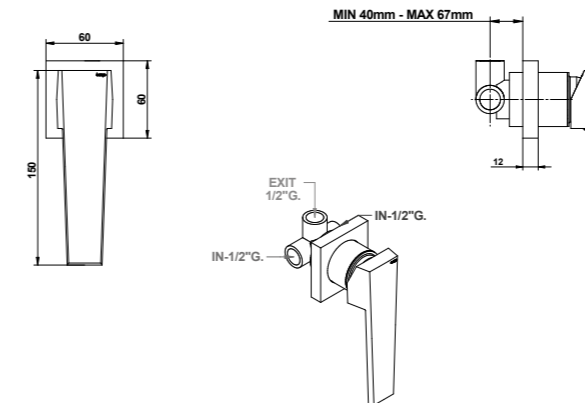
OPTIONAL: Scatola incasso per cartongesso / Built-in box for drywall and cavity wall **09702PBOX**

RICAMBI / SPARE PARTS

9813

01524/RP

Miscelatore incasso. Built in mixer.



ARTICOLO COMPLETO / COMPLETE ITEM

01524CRRP
CR

PARTE INCASSO **PARTE ESTERNA DA ABBINARE**
BUILT-IN PART EXTERNAL MATCHING PART

09761

FINITURE / FINISHES

01524CRRPEU
CR

01524NSRPEU
NS/NE

01524CNRPEU
CN/OR/NM/HM/
AM

01524XXRPEU *
XX

* XX: Per tutte le altre finiture fattibili riferirsi a questa fascia di prezzo. / Refer to this line of price for all other realizable finishes.

Non disponibile in BM - BU - ON - TT / Not available BM - BU - ON - TT

PROLUNGA / MIXER EXTENSION

00100CRPRR

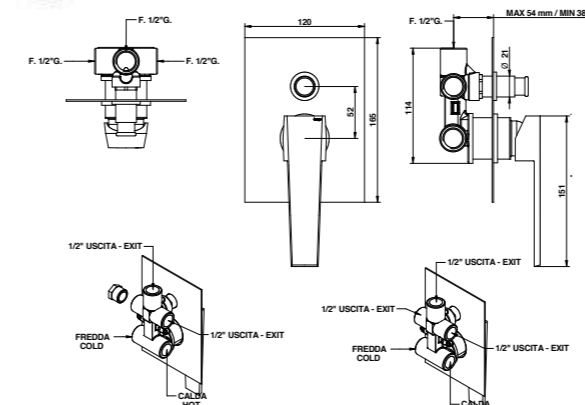
OPTIONAL: Scatola incasso per cartongesso / Built-in box for drywall and cavity wall **09702PBOX**

RICAMBI / SPARE PARTS

9813

01529

Miscelatore incasso con deviatore Built in mixer with 2 way automatic
automatico a 2 uscite. diverter.



ARTICOLO COMPLETO / COMPLETE ITEM

01529CROO
CR

Non disponibile in BM - BU - ON - TT / Not available BM - BU - ON - TT

Il corpo incasso non può essere anticipato. / Built-in body cannot be delivered separately in advance.

PROLUNGA / MIXER EXTENSION

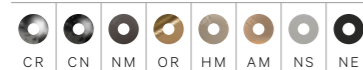
00102CRPRR

OPTIONAL: Scatola incasso per cartongesso / Built-in box for drywall and cavity wall **09702PBOX**

RICAMBI / SPARE PARTS

9813 **00114CRPR**

FINITURE E COLORI / FINISHES AND COLOURS



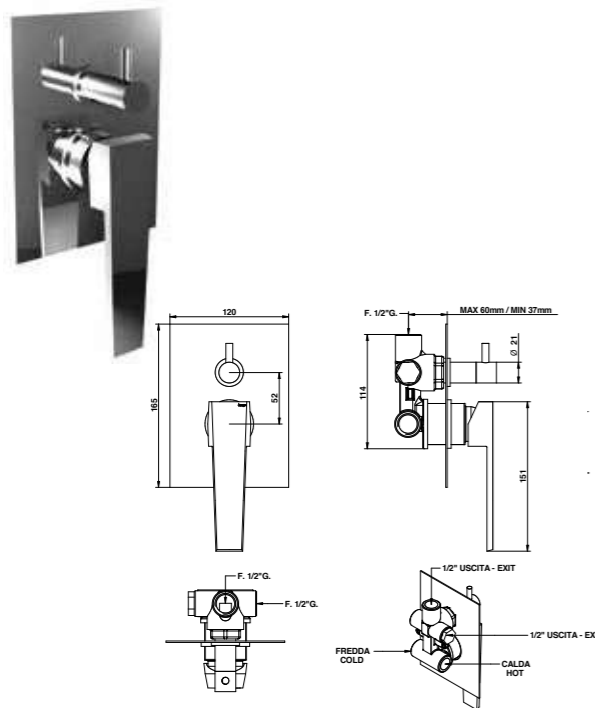
ACCESSORI COORDINATI / CO-ORDINATED ACCESSORIES PAG. 848

ACCESSORI E RICAMBI / ACCESSORIES AND SPARE PARTS



01519

Miscelatore incasso con deviatore meccanico a 2 uscite. Built-in mixer with 2 way mechanical diverter.



ARTICOLO COMPLETO / COMPLETE ITEM

01519CR00
CR

PARTE INCASSO BUILT-IN PART
PARTE ESTERNA DA ABBINARE EXTERNAL MATCHING PART

FINITURE / FINISHES

- 09763**
- 01519CREU** CR
- 01519NSEU** NS/NE
- 01519CNEU** CN/OR/NM/HM/AM
- 01519XXEU *** XX

* XX: Per tutte le altre finiture fattibili riferirsi a questa fascia di prezzo. / Refer to this line of price for all other realizable finishes.

Non disponibile in BM - BU - ON - TT / Not available BM - BU - ON - TT

PROLUNGA / MIXER EXTENSION

00102CRPRP3

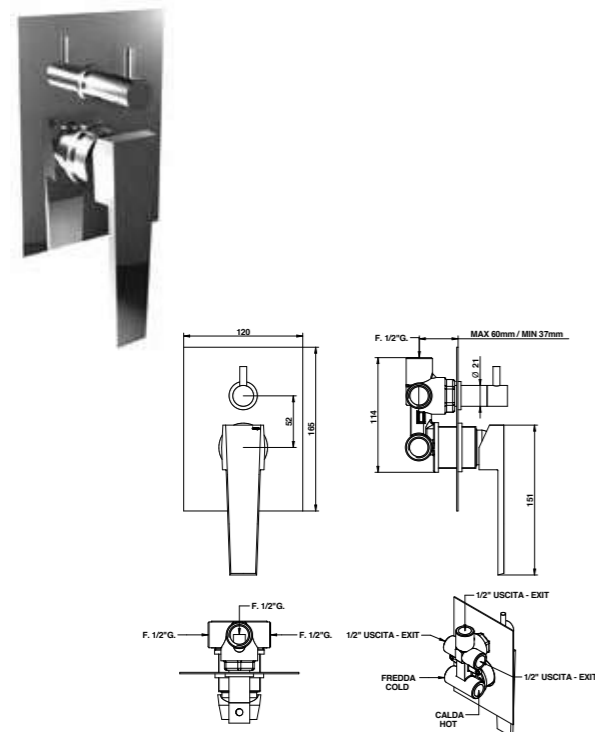
OPTIONAL: Scatola incasso per cartongesso / Built-in box for drywall and cavity wall **09702PBOX**

RICAMBI / SPARE PARTS

	9813		9861
--	-------------	--	-------------

01519/3

Miscelatore incasso con deviatore meccanico a 3 uscite. Built-in mixer with 3 way mechanical diverter



ARTICOLO COMPLETO / COMPLETE ITEM

01519CR03
CR

PARTE INCASSO BUILT-IN PART
PARTE ESTERNA DA ABBINARE EXTERNAL MATCHING PART

FINITURE / FINISHES

- 09763/3**
- 01519CR03EU** CR
- 01519NS03EU** NS/NE
- 01519CN03EU** CN/OR/NM/HM/AM
- 01519XX03EU *** XX

* XX: Per tutte le altre finiture fattibili riferirsi a questa fascia di prezzo. / Refer to this line of price for all other realizable finishes.

Non disponibile in BM - BU - ON - TT / Not available BM - BU - ON - TT

PROLUNGA / MIXER EXTENSION

00102CRPRP3

OPTIONAL: Scatola incasso per cartongesso / Built-in box for drywall and cavity wall **09702PBOX**

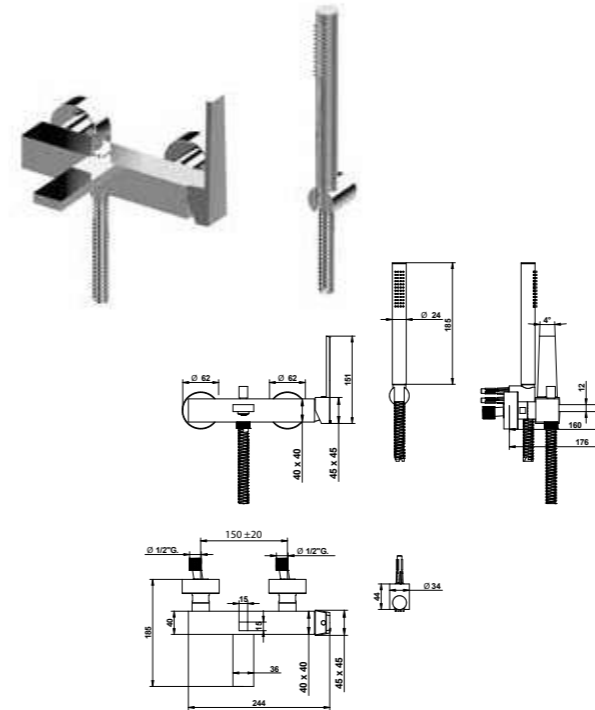
RICAMBI / SPARE PARTS

	9813		09860
--	-------------	--	--------------

01526/D

Miscelatore vasca esterno con set doccia. External bath mixer with shower set.

Dettaglio flessibili / Flexible details pag. 42



ARTICOLO COMPLETO / COMPLETE ITEM

01526CR0D
CR

01526NS0D NS/NE

01526CN0D * CN/OR/NM/HM/AM

01526XX0D □ XX

* Nelle varianti colore verniciate e satinare alcuni particolari saranno in finitura galvanica per garantire gli standard qualitativi. / To assure our quality standard on colored and satin product, some details remain in galvanic finishes.

□ XX: Per tutte le altre finiture fattibili riferirsi a questa fascia di prezzo. / Refer to this line of price for all other realizable finishes.

Non disponibile in BM - BU - ON - TT / Not available BM - BU - ON - TT

RICAMBI / SPARE PARTS

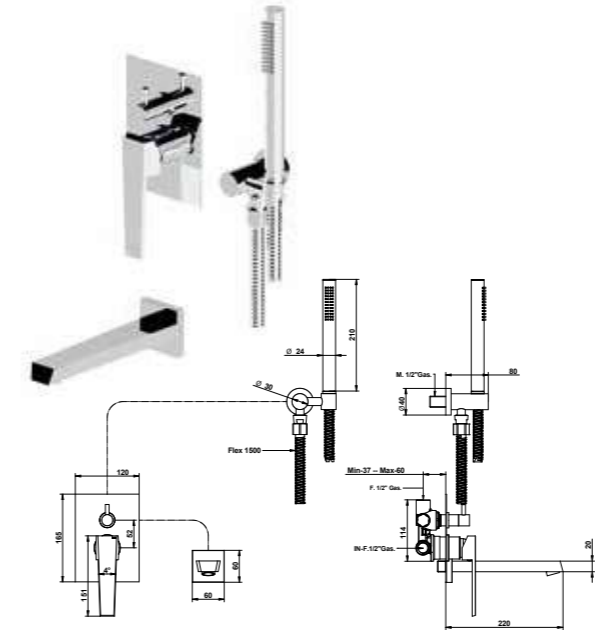
	9838		9982
	9600CR		00850CROE
	00115CRPR		00850XX00 *
	9600XXPV □		

* Ricambio per finiture diverse dal cromo. / Spare part for different finishes.
□ Per le finiture verniciate e satinare il flessibile verrà fornito in PVC nero. / The flexible hose will be supplied in black PVC for painted and matt finishes.

01530/D

Gruppo vasca incasso bocca 220 mm. e set doccia con deviatore meccanico. Built in bath and shower mixer with mechanical diverter, 220 mms. spout and duplex shower set.

Dettaglio flessibili / Flexible details pag. 42



ARTICOLO COMPLETO / COMPLETE ITEM

01530CR0D
CR

PARTE INCASSO BUILT-IN PART
PARTE ESTERNA DA ABBINARE EXTERNAL MATCHING PART

FINITURE / FINISHES

- 09763**
- 01530CR0DEU** CR
- 01530NS0DEU** NS/NE
- 01530CN0DEU** CN/OR/NM/HM/AM
- 01530XX0DEU *** XX

* XX: Per tutte le altre finiture fattibili riferirsi a questa fascia di prezzo. / Refer to this line of price for all other realizable finishes.

Non disponibile in BM - BU - ON - TT / Not available BM - BU - ON - TT

RICAMBI / SPARE PARTS

	9813		09998CR
	9600CR		00850CROE
	9861		00850XX00 *
	9600XXPV □		

* Ricambio per finiture diverse dal cromo. / Spare part for different finishes.
□ Per le finiture verniciate e satinare il flessibile verrà fornito in PVC nero. / The flexible hose will be supplied in black PVC for painted and matt finishes.

FINITURE E COLORI / FINISHES AND COLOURS



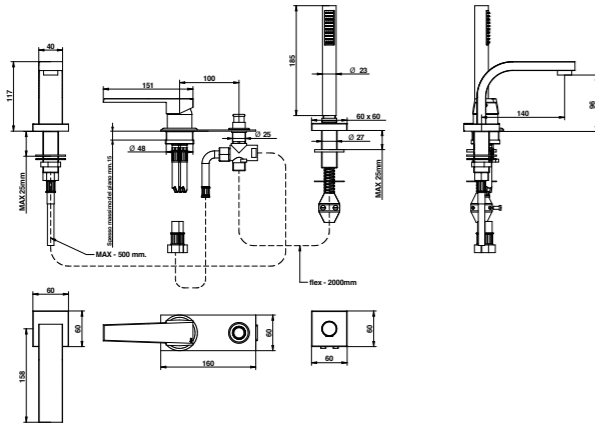
ACCESSORI COORDINATI / CO-ORDINATED ACCESSORIES PAG. 848

ACCESSORI E RICAMBI / ACCESSORIES AND SPARE PARTS



01531/D

Gruppo bordo vasca con set doccia. Deck bath mixer with handshower set.



ARTICOLO COMPLETO / COMPLETE ITEM

01531CR0D
CR

01531NS0D
NS/NE

01531CN0D
CN/OR/NM/HM/AM

01531XX0D *
XX

* XX: Per tutte le altre finiture fattibili riferirsi a questa fascia di prezzo. / Refer to this line of price for all other realizable finishes.

Non disponibile in BM - BU - ON - TT / Not available BM - BU - ON - TT

RICAMBI / SPARE PARTS

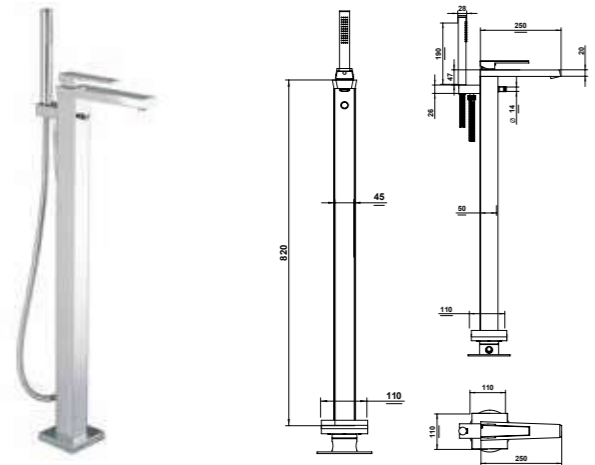
9813	9998CR00
9606CR	00850CR0E
00127CR	00850XX00 *

* Ricambio per finiture diverse dal cromo. / Spare part for different finishes.

01534/D

Miscelatore vasca da pavimento con set doccia e deviatore. Floor mounted bath mixer with handshower set and diverter.

Dettaglio flessibili / Flexible details pag. 42



ARTICOLO COMPLETO / COMPLETE ITEM

01534CR0D
CR

PARTE INCASSO / BUILT-IN PART
PARTE ESTERNA DA ABBINARE / EXTERNAL MATCHING PART

09744

FINITURE / FINISHES

01534CR0DEU
CR

01534NS0DEU *
NS/NE

01534CN0DEU *
CN/OR/NM/HM/AM

01534XX0DEU *
XX

* Nelle varianti colore verniciate e satinare alcuni particolari saranno in finitura galvanica per garantire gli standard qualitativi. / To assure our quality standard on colored and satin product, some details remain in galvanic finishes.

* XX: Per tutte le altre finiture fattibili riferirsi a questa fascia di prezzo. / Refer to this line of price for all other realizable finishes.

RICAMBI / SPARE PARTS

9813	09998CR
9600CR	00850CR0E
00138	00850XX00 *
9600XXPV □	

* Ricambio per finiture diverse dal cromo. / Spare part for different finishes.
□ Per le finiture verniciate e satinare il flessibile verrà fornito in PVC nero. / The flexible hose will be supplied in black PVC for painted and matt finishes.

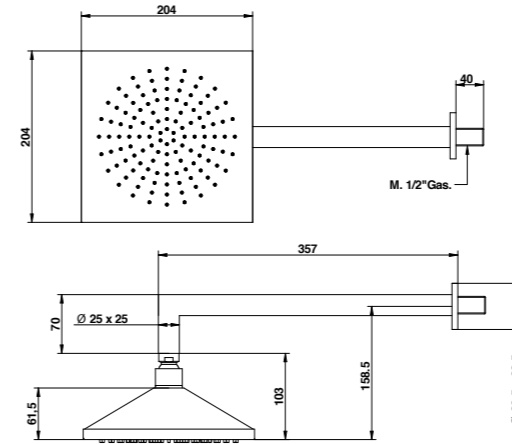
FINITURE E COLORI / FINISHES AND COLOURS



ACCESSORI COORDINATI / CO-ORDINATED ACCESSORIES PAG. 848

01881

Soffione doccia con braccio. Shower head with arm.



ARTICOLO COMPLETO / COMPLETE ITEM

01881CR00
CR

01881NS00
NS/NE

01881CN00
CN/OR/NM/HM/AM

01881XX00 *
XX

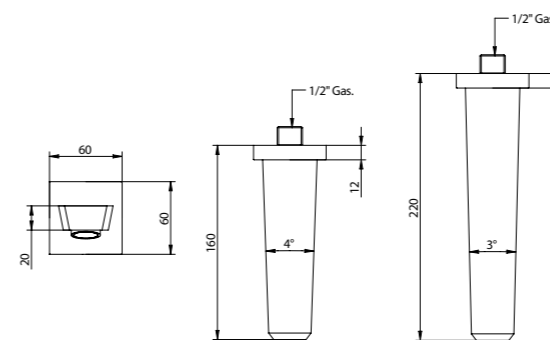
* XX: Per tutte le altre finiture fattibili riferirsi a questa fascia di prezzo. / Refer to this line of price for all other realizable finishes.

Sistema anticalcare Fast Clean. Pressione dinamica minima di utilizzo 1 bar. Portata a pressione dinamica: con limitatore 1-5 bar - 8 l/min. / Fast Clean shower. Minimum dynamic pressure of use 1 bar. Flow rates at dynamic pressure: with limitation system 1-5 bar - 8 l/min.

Non disponibile in BM - BU - ON - TT / Not available BM - BU - ON - TT

995/16-22

Bocca vasca incasso 160/220 mm. 160/220 mms. built-in spout.



ARTICOLO COMPLETO / COMPLETE ITEM

00995CR16
CR

00995CR22
CR

00995NS16
NS/NE

00995NS22
NS/NE

00995CN16
CN/OR/NM/HM/AM

00995CN22
CN/OR/NM/HM/AM

00995XX16 *
XX

00995XX22 *
XX

* XX: Per tutte le altre finiture fattibili riferirsi a questa fascia di prezzo. / Refer to this line of price for all other realizable finishes.

Non disponibile in BM - BU - ON - TT / Not available BM - BU - ON - TT

RICAMBI / SPARE PARTS

9998CR

ACCESSORI E RICAMBI / ACCESSORIES AND SPARE PARTS



T CROSS

T LEVER

DESIGN CENTER DIRECTED BY
ANTONIO BONGIO

#materialmix



1

NATURAL
comfort

T CROSS
T LEVER

#stylishmood



3



2

DESIGN FUNZIONALE

Functional design

L'originale design con manopole a croce e il sistema a risparmio d'acqua fanno di T CROSS un prodotto che coniuga innovazione ed estetica. Gli accessori sono dettagli che ispirano uno stylish mood contemporaneo declinabile secondo diverse interpretazioni abitative.

The original design with cross knobs and the water-saving system make T CROSS a product that skilfully combines innovation and aesthetic appeal. The accessories are details that inspire a stylish contemporary mood which can be customised to fit your particular furnishing style.

1. Art. 30499CR00
2. Art. 30537CR0D
3. Art. 30530CRSS



T CROSS
T LEVER

DOCCIA / SHOWER
Art. 30537CR0D

LAVABO / WASHBASIN
Art. 30321CR00





#comfortzone



VASCA / BATHTUB
Art. 30430CROD

LAVABO / WASHBASIN
Art. 30401NS00

DOCCIA / SHOWER
Art. 30537CROD



INFORMAZIONI TECNICHE

Technical details



VITONI: Le serie T Cross e T Lever sono dotate di vitoni a dischi ceramici da 1/4 giro.

La temperatura d'impianto non deve superare i 70°C. La pressione di esercizio dell'impianto consigliata è di 3 bar.

EROGAZIONE: Le serie T Cross e T Lever hanno un tipo di erogazione morbida.

I lavabi e i bidet sono forniti con limitatore di portata da 6l/m.

SISTEMI DI DEVIAZIONE: I deviatori Bongio sono testati per funzionare da un minimo di 0,5 bar pressione.

INSTALLAZIONE: Tutti gli articoli ad incasso Bongio completi sono forniti di relative parti da incassare.

Gli articoli doccia e vasca esterni hanno un interasse di 15±20 mm.

Per gli articoli lavabo e bidet, monoforo e tre fori, da installarsi su piano devono essere realizzati fori di ø 35 mm massimo.

NOTA FINITURE FA / TT

I prodotti nelle finiture Ferro Antico (FA) e Terra di Toscana (TT) vengono realizzati con trattamenti manuali e, data la particolare lavorazione artigianale, possono presentare una colorazione non uniforme.

MECHANISM: T Cross and T Lever series has 1/4' turn ceramic disc mechanism.

The temperature of the plant should not exceed 70 degrees. The suggested working pressure of the plant has to be 3 bar.

SUPPLY: The series has a soft supply. **Basin and bidet mixers have a standard limitation of flow to 6l/m.**

DIVERTING SYSTEMS: Bongio diverters have been tested to work properly starting from a minimum 0,5 bar pressure

INSTALLATION: all the built-in Bongio items are available with universal raw built-in body.

All the external shower and bath mixers have the 15±20 mms interaxe.

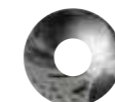
For the basin and bidet mixers - single or three holes - to be place on top deck, they require ø 35 mms maximum holes.

FINISHES NOTE FA / TT

Products in Ferro Antico (FA) and Terra di Toscana (TT) finish are made with manual treatments and may therefore display colour variations due to the particular craftsmanship.

FINITURE E COLORI / FINISHES AND COLOURS

DETTAGLI / MORE INFO PAG. 38



CR
Cromo
Chrome



NE
Nero Opaco
Matt Black



FA
Ferro Antico
Old Iron



NS
Nichel Spazzolato
Brushed Nickel



CM
Cromo Satinato
Matt Chrome



NM
Cromo Nero Satinato
Matt Black Chrome



IM
Nichel Satinato
Matt Nickel



ON
Ottone Naturale
Natural Brass



BU
Ottone Burattato
Hammered Brass



OR
Oro 24kt
24kt Gold



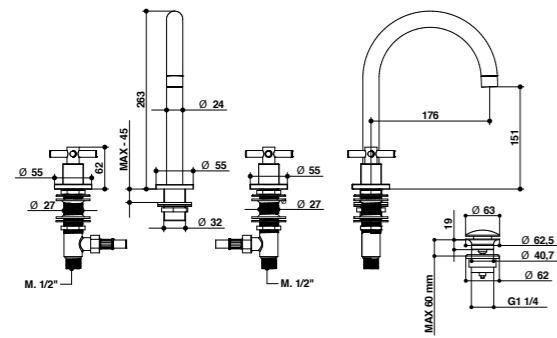
BI*
Bianco Opaco
Matt White

* Disponibile su richiesta / Available on request

#minimalblack

30401 - 31401

Gruppo lavabo/3 fori con piletta clic-clac. Three holes basin mixer with clic-clac waste.



ARTICOLO COMPLETO /// COMPLETE ITEM

30401CR00 - 31401CR00
CR

30401NE00 - 31401NE00
NE

30401NS00 - 31401NS00
NS/BI/ON/BU

30401FA00 - 31401FA00
FA/OR/NM/CM/IM

30401TT00 - 31401TT00
TT/AM/OM/OP/BM/HM

30401XX00 - 31401XX00 *
XX

*XX: Per tutte le altre finiture fattibili riferirsi a questa fascia di prezzo. // Refer to this line of price for all other realizable finishes.

ABBINABILE A // TO MATCH WITH:
Sifone / Siphon - **00067CR00**

RICAMBI // SPARE PARTS 30401

9791 *	9792 □
9999CR	

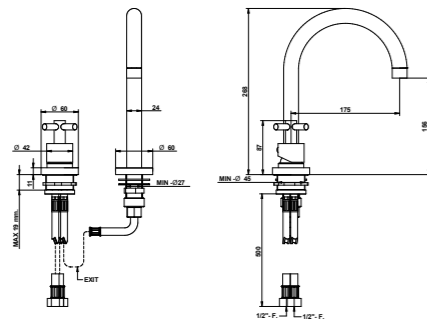
RICAMBI // SPARE PARTS 31401

9791 *	9792 □
--------	--------

* Chauda // Горяч.
* Froide // Холодн.

30302 - 31302

Gruppo lavabo bordo piano due fori con cartuccia tradizionale e piletta clic-clac. Two hole basin mixer with traditional cartridge and clic-clac waste.



ARTICOLO COMPLETO / COMPLETE ITEM

30302CR00 - 31302CR00
CR

30302NE00 - 31302NE00
NE

30302NS00 - 31302NS00
NS/BI/ON/BU

30302FA00 - 31302FA00
FA/OR/NM/CM/IM

30302XX00 - 31302XX00 *
XX

* XX: Per tutte le altre finiture fattibili riferirsi a questa fascia di prezzo. // Refer to this line of price for all other realizable finishes.

ABBINABILE A / TO MATCH WITH:
Sifone / Siphon - **00067CR00**

RICAMBI / SPARE PARTS

9813	9999CR
------	--------

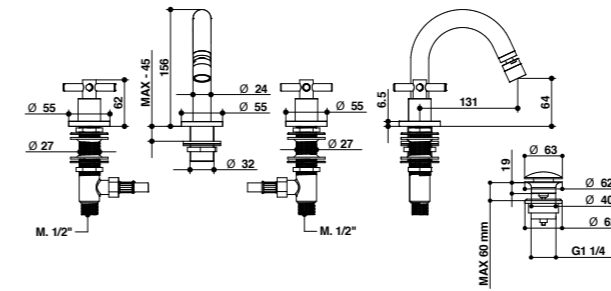
FINITURE E COLORI / FINISHES AND COLOURS



* Disponibile su richiesta / Available on demand

30403 - 31403

Gruppo bidet tre fori con piletta clic-clac. Three holes bidet mixer with clic-clac waste.



ARTICOLO COMPLETO / COMPLETE ITEM

30403CR00 - 31403CR00
CR

30403NE00 - 31403NE00
NE

30403NS00 - 31403NS00
NS/BI/ON/BU

30403FA00 - 31403FA00
FA/NM/CM/IM/OR

30403TT00 - 31403TT00
TT/AM/OM/OP/BM/HM

30403XX00 - 31403XX00 *
XX

* XX: Per tutte le altre finiture fattibili riferirsi a questa fascia di prezzo. // Refer to this line of price for all other realizable finishes.

ABBINABILE A / TO MATCH WITH:
Sifone / Siphon - **00066CR00**

RICAMBI / SPARE PARTS 30403

9791 *	9792 □
9980CR	

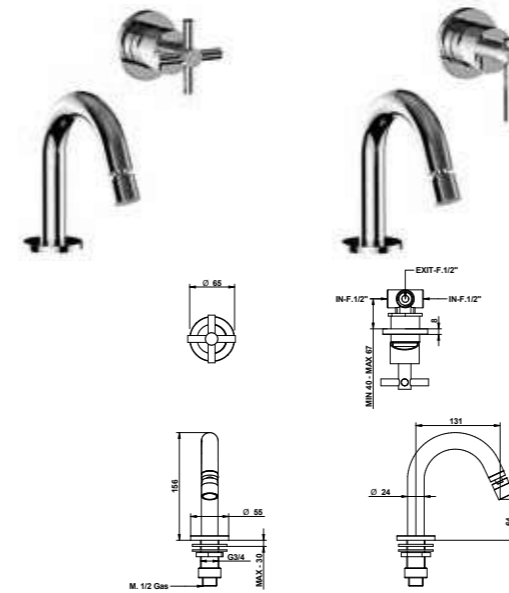
RICAMBI / SPARE PARTS 31403

9791 *	9792 □
--------	--------

* Calda // Hot
* Fredda // Cold

30303 - 31303

Gruppo bidet con bocca da piano, miscelatore incasso a muro e piletta clic-clac in ottone. Bidet set with deck spout, built-in mixer and clic-clac waste.



PROLUNGA / MIXER EXTENSION

00100CRPRR

ARTICOLO COMPLETO / COMPLETE ITEM

30303CR00 - 31303CR00
CR

PARTE INCASSO / BUILT-IN PART **PARTE ESTERNA DA ABBINARE / EXTERNAL MATCHING PART**

FINITURE / FINISHES

30303	30303CREU 31303CREU CR
9761	30303NEEU 31303NEEU NE
31303	30303NSEU 31303NSEU NS/BI/ON/BU
9761	30303FAEU 31303FAEU FA/OR/NM/CM/AM
	30303XXEU 31303XXEU * XX

* XX: Per tutte le altre finiture fattibili riferirsi a questa fascia di prezzo. // Refer to this line of price for all other realizable finishes.

ABBINABILE A / TO MATCH WITH:
Sifone / Siphon - **00067CR00**

OPTIONAL: Scatola incasso per cartongesso / Built-in box for drywall and cavity wall **09702PBOX**

RICAMBI / SPARE PARTS

9813	9980CR
------	--------

ACCESSORI E RICAMBI / ACCESSORIES AND SPARE PARTS



30438/16-22 - 31438/16-22

Gruppo lavabo a parete con bocca da 160/220 mm. Gruppo lavabo a parete con bocca da 160/220 mm.



ARTICOLO COMPLETO /// COMPLETE ITEM

30438CR16 - 31438CR16
CR

30438CR22 - 31438CR22
CR

PARTE INCASSO BUILT-IN PART **PARTE ESTERNA DA ABBINARE EXTERNAL MATCHING PART**

FINITURE /// FINISHES

30438/16-22 09767	30438CR16EU 31438CR16EU CR
31438/16-22 09767/OX	30438CR22EU 31438CR22EU CR
	30438NE16EU 31438NE16EU NE
	30438NE22EU 31438NE22EU NE
	30438NS16EU 31438NS16EU NS/BI/ON/BU
	30438NS22EU 31438NS22EU NS/BI/ON/BU
	30438FA16EU 31438FA16EU FA/NM/CM/IM/OR
	30438FA22EU 31438FA22EU FA/NM/CM/IM/OR
	30438TT16EU 31438TT16EU TT/AM/OM/OP/BM/HM
	30438TT22EU 31438TT22EU TT/AM/OM/OP/BM/HM
	30438XX16EU 31438XX16EU * XX
	30438XX22EU 31438XX22EU * XX

*XX: Per tutte le altre finiture fattibili riferirsi a questa fascia di prezzo. // Refer to this line of price for all other realizable finishes.

ABBINABILE A /// TO MATCH WITH:
Sifone // Siphon - /00067CR00
Piletta clic-clac // Clic-clac waste - /00079CR00

PROLUNGA /// MIXER EXTENSION

	00083CR00 2 pz. per articolo // 2 pcs needed	Cad. // Each
--	--	--------------

RICAMBI /// SPARE PARTS 30438/16-22

	9791 *		9792 ◻
	9999CR		

RICAMBI /// SPARE PARTS 31438/16-22

	9791 *		9792 ◻
--	---------------	--	---------------

* Calda / Hot
◻ Fredda / Cold

FINITURE E COLORI / FINISHES AND COLOURS



* Disponibile su richiesta / Available on demand

30438/1A-2A - 31438/1A-2A

Gruppo lavabo a parete con bocca da 160/220 mm completo di connessioni. Wall basin mixer with 160/220 mms. spout complete with built-in connections.



ARTICOLO COMPLETO /// COMPLETE ITEM

30438CR1A - 31438CR1A
CR

30438CR2A - 31438CR2A
CR

PARTE INCASSO BUILT-IN PART **PARTE ESTERNA DA ABBINARE EXTERNAL MATCHING PART**

FINITURE /// FINISHES

30438/1A-2A 09767/T	30438CR1AEU 31438CR1AEU CR
31438/1A-2A 09767/TL	30438CR2AEU 31438CR2AEU CR
	30438NE1AEU 31438NE1AEU NE
	30438NE2AEU 31438NE2AEU NE
	30438NS1AEU 31438NS1AEU NS/BI/ON/BU
	30438NS2AEU 31438NS2AEU NS/BI/ON/BU
	30438FA1AEU 31438FA1AEU FA/OR/NM/CM/IM
	30438FA2AEU 31438FA2AEU FA/OR/NM/CM/IM
	30438TT1AEU 31438TT1AEU TT/AM/OM/OP/BM/HM
	30438TT2AEU 31438TT2AEU TT/AM/OM/OP/BM/HM
	30438XX1AEU 31438XX1AEU * XX
	30438XX2AEU 31438XX2AEU * XX

*XX: Per tutte le altre finiture fattibili riferirsi a questa fascia di prezzo. // Refer to this line of price for all other realizable finishes.

ABBINABILE A /// TO MATCH WITH:
Sifone // Siphon - /00067CR00
Piletta clic-clac // Clic-clac waste - /00079CR00

PROLUNGA /// MIXER EXTENSION

	00083CR00 2 pz. per articolo // 2 pcs needed	Cad. // Each
--	--	--------------

RICAMBI /// SPARE PARTS 30438/1A-2A

	9791 *		9792 ◻
	9999CR		

RICAMBI /// SPARE PARTS 31438/1A-2A

	9791 *		9792 ◻
--	---------------	--	---------------

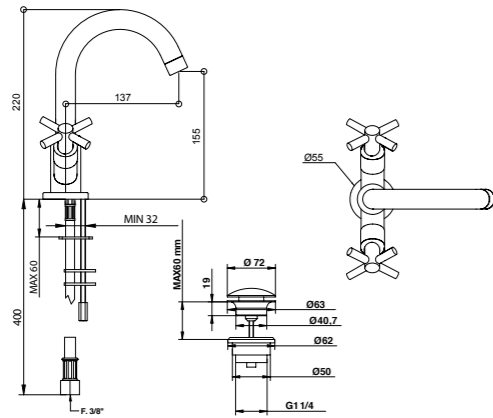
* Calda / Hot
◻ Fredda / Cold

ACCESSORI E RICAMBI / ACCESSORIES AND SPARE PARTS



30421 - 31421

Monoforo lavabo completo di piletta clic-clac. Single hole basin with clic-clac waste. clic-clac.



ARTICOLO COMPLETO / COMPLETE ITEM

30421CR00 - 31421CR00
CR

30421NE00 - 31421NE00
NE

30421NS00 - 31421NS00
NS/BI/ON/BU

30421FA00 - 31421FA00
FA/NM/CM/IM/OR

30421TT00 - 31421TT00
TT/AM/OM/OP/BM/HM

30421XX00 - 31421XX00 *
XX

* XX: Per tutte le altre finiture fattibili riferirsi a questa fascia di prezzo. / Refer to this line of price for all other realizable finishes.

ABBINABILE A / TO MATCH WITH:
Sifone / Siphon - **0067CR00**

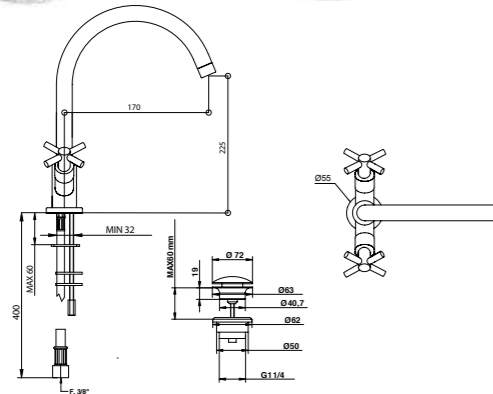
RICAMBI / SPARE PARTS

	9792 *		9791 □
	9999CR		

* Calda / Hot
□ Fredda / Cold

30481 - 31481

Monoforo lavabo con bocca alta girevole completo di piletta clic-clac. Single hole basin mix with high swivel spout and clic-clac waste.



ARTICOLO COMPLETO / COMPLETE ITEM

30481CR00 - 31481CR00
CR

30481NE00 - 31481NE00
NE

30481NS00 - 31481NS00
NS

30481FA00 - 31481FA00
FA/OR/NM/CM/IM

30481TT00 - 31481TT00
TT/AM/OM/OP/BM/HM

30481XX00 - 31481XX00 *
XX

* XX: Per tutte le altre finiture fattibili riferirsi a questa fascia di prezzo. / Refer to this line of price for all other realizable finishes.

ABBINABILE A / TO MATCH WITH:
Sifone / Siphon - **0067CR00**

RICAMBI / SPARE PARTS

	9792 *		9791 □
	9999CR		

* Calda / Hot
□ Fredda / Cold

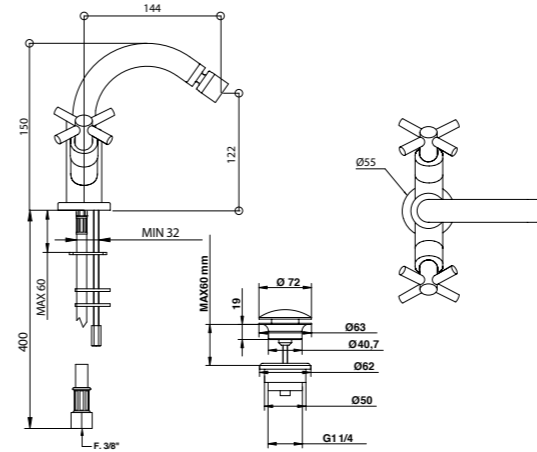
FINITURE E COLORI / FINISHES AND COLOURS



* Disponibile su richiesta / Available on demand

30422 - 31422

Monoforo bidet completo di piletta clic-clac. Single hole bidet with clic-clac waste. clic-clac.



ARTICOLO COMPLETO / COMPLETE ITEM

30422CR00 - 31422CR00
CR

30422NE00 - 31422NE00
NE

30422NS00 - 31422NS00
NS/BI/ON/BU

30422FA00 - 31422FA00
FA/OR/NM/CM/IM

30422TT00 - 31422TT00
TT/AM/OM/OP/BM/HM

30422XX00 - 31422XX00 *
XX

* XX: Per tutte le altre finiture fattibili riferirsi a questa fascia di prezzo. / Refer to this line of price for all other realizable finishes.

ABBINABILE A / TO MATCH WITH:
Sifone / Siphon - **00067CR00**

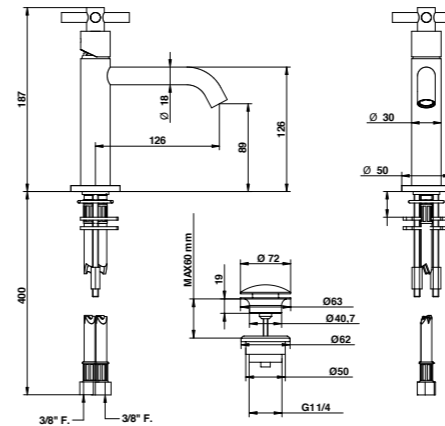
RICAMBI / SPARE PARTS

	9792 *		9791 □
	9980CR		

* Calda / Hot
□ Fredda / Cold

30321 - 31321

Miscelatore lavabo con cartuccia tradizionale e piletta clic-clac. Basin mixer with clic-clac waste.



ARTICOLO COMPLETO / COMPLETE ITEM

30321CR00 - 31321CR00
CR

30321NE00 - 31321NE00
NE

30321NS00 - 31321NS00
NS/BI/ON/BU

30321FA00 - 31321FA00
FA/OR/NM/CM/IM

30321TT00 - 31321TT00
TT/AM/OM/OP/BM/HM

30321XX00 - 31321XX00 *
XX

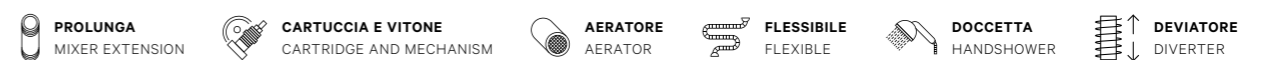
* XX: Per tutte le altre finiture fattibili riferirsi a questa fascia di prezzo. / Refer to this line of price for all other realizable finishes.

ABBINABILE A / TO MATCH WITH:
Sifone / Siphon - **0067CR00**

RICAMBI / SPARE PARTS

	9870		9392
--	-------------	--	-------------

ACCESSORI E RICAMBI / ACCESSORIES AND SPARE PARTS



30338/16-22 - 31338/16-22

Miscelatore lavabo incasso con bocca 160 - 220 mm.

Built-in basin mixer with 160 - 220 mms. spout.



ARTICOLO COMPLETO / COMPLETE ITEM

30338CR16 - 31338CR16
CR

30338CR22 - 31338CR22
CR

PARTE INCASSO / BUILT-IN PART **PARTE ESTERNA DA ABBINARE** / EXTERNAL MATCHING PART

FINITURE / FINISHES

30338/16-22

30338CR16EU
31338CR16EU
CR

09761

31338/16-22

30338CR22EU
31338CR22EU
CR

09761

30338NE16EU
31338NE16EU
NE/NS/BI/ON/BU

30338NE22EU
31338NE22EU
NE/NS/BI/ON/BU

30338FA16EU
31338FA16EU
FA/OR/NM/CM/IM

30338FA22EU
31338FA22EU
FA/OR/NM/CM/IM

30338TT16EU
31338TT16EU
TT/AM/OM/OP/HM/BM

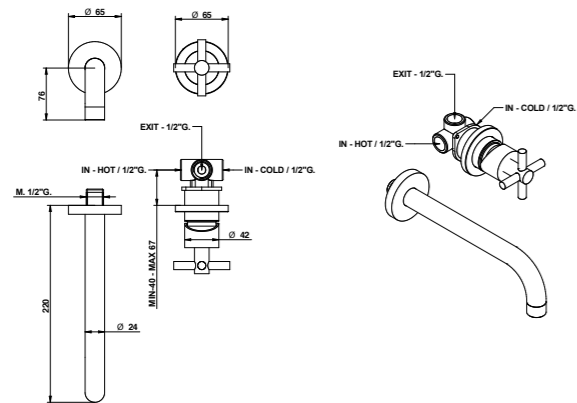
30338TT22EU
31338TT22EU
TT/AM/OM/OP/HM/BM

30338XX16EU
31338XX16EU *
XX

30338XX22EU
31338XX22EU *
XX

* XX: Per tutte le altre finiture fattibili riferirsi a questa fascia di prezzo. / Refer to this line of price for all other realizable finishes.

ABBINABILE A / TO MATCH WITH:
Sifone / Siphon - **00067CR00**
Piletta clic-clac / Clic-clac waste - **00079CR00**



PROLUNGA / MIXER EXTENSION

00100CRPRR

RICAMBI / SPARE PARTS

9813 **09999CR**

FINITURE E COLORI / FINISHES AND COLOURS



* Disponibile su richiesta / Available on demand

30338/1A-2A - 31338/1A-2A

Miscelatore lavabo incasso con bocca 160-220 mm completo di connessioni incasso.

Built-in basin mixer with 160-220 mms.spout complete with built-in connections.



ARTICOLO COMPLETO / COMPLETE ITEM

30338CR1A - 31338CR1A
CR

30338CR2A - 31338CR2A
CR

PARTE INCASSO / BUILT-IN PART **PARTE ESTERNA DA ABBINARE** / EXTERNAL MATCHING PART

FINITURE / FINISHES

30338/1A-2A

30338CR1AEU
31338CR1AEU
CR

09690

31338/1A-2A

30338CR2AEU
31338CR2AEU
CR

09690

30338NS1AEU
31338NS1AEU
NS/BI/ON/BU

30338NS2AEU
31338NS2AEU
NS/BI/ON/BU

30338FA1AEU
31338FA1AEU
FA/OR/NM/CM/IM

30338FA2AEU
31338FA2AEU
FA/OR/NM/CM/IM

30338TT1AEU
31338TT1AEU
TT/AM/OM/OP/HM/BM

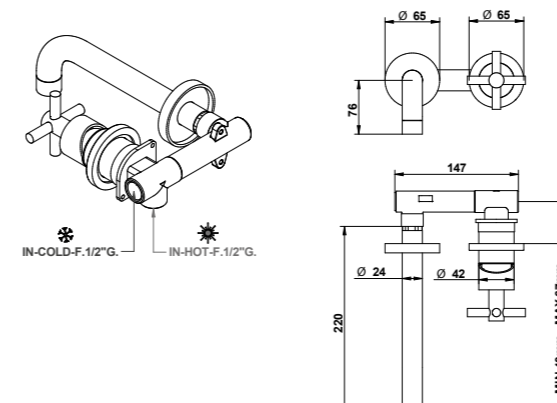
30338TT2AEU
31338TT2AEU
TT/AM/OM/OP/HM/BM

30338XX1AEU
31338XX1AEU *
XX

30338XX2AEU
31338XX2AEU *
XX

* XX: Per tutte le altre finiture fattibili riferirsi a questa fascia di prezzo. / Refer to this line of price for all other realizable finishes.

ABBINABILE A / TO MATCH WITH:
Sifone / Siphon - **00067CR00**
Piletta clic-clac / Clic-clac waste - **00079CR00**



ABBINABILE A / TO MATCH WITH:
Sifone / Siphon - **00067CR00**
Piletta clic-clac / Clic-clac waste - **00079CR00**

PROLUNGA / MIXER EXTENSION

00100CRPRR

OPTIONAL: Scatola incasso per cartongesso / Built-in box for drywall and cavity wall **09702PBOX**

RICAMBI / SPARE PARTS

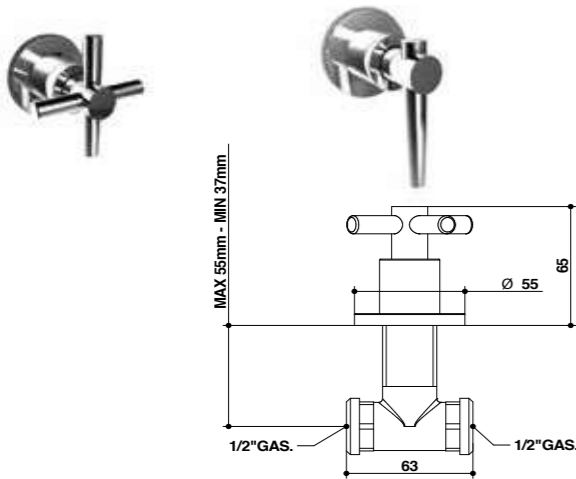
9813 **09999CR**

ACCESSORI E RICAMBI / ACCESSORIES AND SPARE PARTS



30400 - 31400

Rubinetto/incasso 1/2". 1/2" built-in tap.



RICAMBI // SPARE PARTS 30400

	9791*		9792°
--	-------	--	-------

RICAMBI // SPARE PARTS 31400

	9791*		9792°
--	-------	--	-------

* Calda // Hot
° Fredda // Cold

ARTICOLO COMPLETO // COMPLETE ITEM

30400CR00 - 31400CR00
CR

PARTE INCASSO BUILT-IN PART	PARTE ESTERNA DA ABBINARE EXTERNAL MATCHING PART
--------------------------------	---

FINITURE // FINISHES

30400	30400CREU 31400CREU CR
09777 CALDA // hot	30400NEEU 31400NEEU NE
09777 FREDDA // cold	30400NSEU 31400NSEU NS/BI/ON/BU
31400	30400FAEU 31400FAEU FA/OR/NM/CM/IM
09774 CALDA // hot	30400TTEU 31400TTEU TT/AM/OM/OP/HM/BM
09777 FREDDA // cold	30400XXEU 31400XXEU *

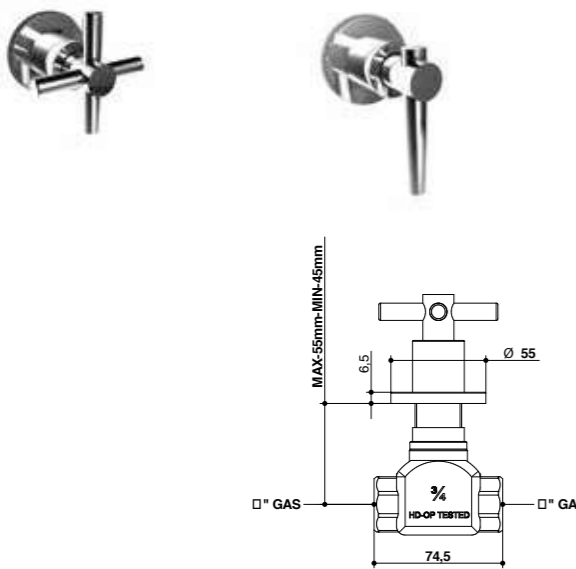
* XX: Per tutte le altre finiture fattibili riferirsi a questa fascia di prezzo. // Refer to this line of price for all other realizable finishes.

PROLUNGA // MIXER EXTENSION

	00083CR00
--	-----------

30498 - 31498

Rubinetto incasso 3/4" vitone tradizionale. 3/4" built-in tap traditional mechanism.



RICAMBI // SPARE PARTS

	9804*		9804°
--	-------	--	-------

* Calda / Hot
° Fredda / Cold

ARTICOLO COMPLETO // COMPLETE ITEM

30498CR00 - 31498CR00
CR

PARTE INCASSO BUILT-IN PART	PARTE ESTERNA DA ABBINARE EXTERNAL MATCHING PART
--------------------------------	---

FINITURE / FINISHES

30498	30498CREU 31498CREU CR
09772 CALDA / hot	30498NEEU 31498NEEU NE
09772 FREDDA / cold	30498NSEU 31498NSEU NS/BI/ON/BU
31498	30498FAEU 31498FAEU FA/OR/NM/CM/IM
09772 CALDA / hot	30498TTEU 31498TTEU TT/AM/OM/OP/HM/BM
09772 FREDDA / cold	30498XXEU 31498XXEU *

* XX: Per tutte le altre finiture fattibili riferirsi a questa fascia di prezzo. // Refer to this line of price for all other realizable finishes.

PROLUNGA // MIXER EXTENSION

	00083CR00
--	-----------

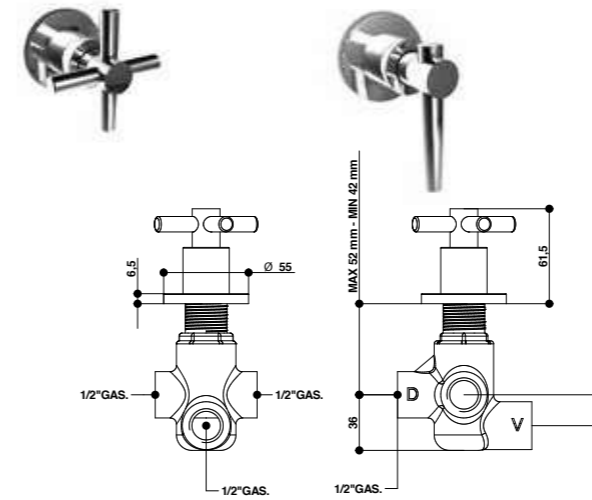
FINITURE E COLORI / FINISHES AND COLOURS



* Disponibile su richiesta / Available on demand

30425 - 31425

Deviatore 4 vie (2 entrate 2 uscite). 4 ways built-in diverter (2 in - 2 out).



RICAMBI / SPARE PARTS

	00112DM
--	---------

ARTICOLO COMPLETO / COMPLETE ITEM

30425CR00 - 31425CR00
CR

PARTE INCASSO BUILT-IN PART	PARTE ESTERNA DA ABBINARE EXTERNAL MATCHING PART
--------------------------------	---

FINITURE / FINISHES

30425	30425CREU 31425CREU CR
09496	30425NEEU 31425NEEU NE
31425	30425NSEU 31425NSEU NS/BI/ON/BU
09496	30425FAEU 31425FAEU FA/OR/NM/CM/IM
	30425TTEU 31425TTEU TT/AM/OM/OP/HM/BM
	30425XXEU 31425XXEU *

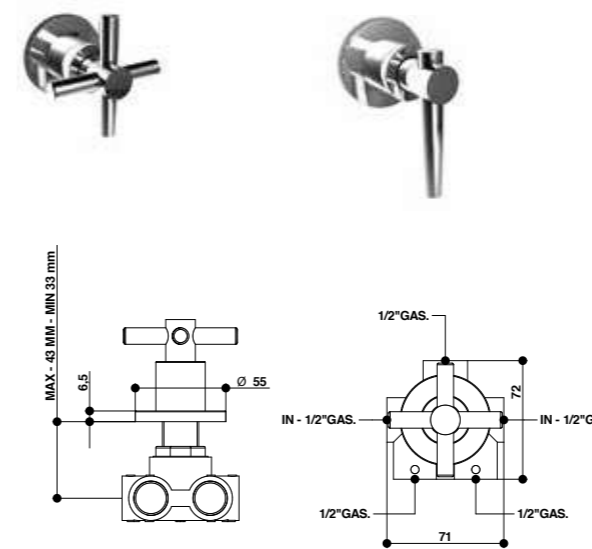
* XX: Per tutte le altre finiture fattibili riferirsi a questa fascia di prezzo. // Refer to this line of price for all other realizable finishes.

PROLUNGA / MIXER EXTENSION

	00083CR00
--	-----------

30425/5 - 31425/5

Deviatore 5 vie (2 entrate 3 uscite). 5 way built-in diverter (2 in - 3 out).



RICAMBI / SPARE PARTS

	00113DM
--	---------

ARTICOLO COMPLETO // COMPLETE ITEM

30425CR05 - 31425CR05
CR

PARTE INCASSO BUILT-IN PART	PARTE ESTERNA DA ABBINARE EXTERNAL MATCHING PART
--------------------------------	---

FINITURE / FINISHES

30425/5	30425CR05EU 31425CR05EU CR
09495	30425NE05EU 31425NE05EU NE
31425/5	30425NS05EU 31425NS05EU NS/BI/ON/BU
09495	30425FA05EU 31425FA05EU FA/OR/NM/CM/IM
	30425TT05EU 31425TT05EU TT/AM/OM/OP/HM/BM
	30425XX05EU 31425XX05EU *

* XX: Per tutte le altre finiture fattibili riferirsi a questa fascia di prezzo. // Refer to this line of price for all other realizable finishes.

PROLUNGA / MIXER EXTENSION

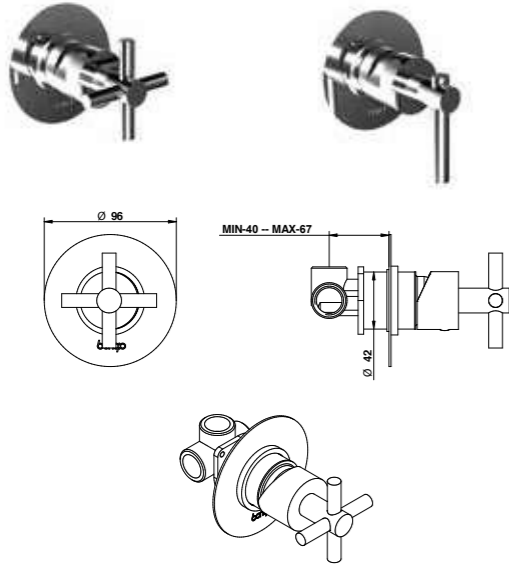
	00083CR00
--	-----------

ACCESSORI E RICAMBI / ACCESSORIES AND SPARE PARTS



30324 - 31324

Miscelatore incasso con cartuccia tradizionale. Built-in mixer with traditional cartridge.



OPTIONAL: Scatola incasso per cartongesso / Built-in box for drywall and cavity wall **09702PBOX**

RICAMBI / SPARE PARTS



9813

ARTICOLO COMPLETO / COMPLETE ITEM

30324CR00 - 31324CR00
CR

PARTE INCASSO BUILT-IN PART | **PARTE ESTERNA DA ABBINARE** EXTERNAL MATCHING PART

FINITURE / FINISHES

30324 | **30324CREU**
31324 | **31324CREU**
CR

09761 | **30324NEEU**
31324 | **31324NEEU**
NE

09761 | **30324NSEU**
31324 | **31324NSEU**
NS/BI/ON/BU

30324FAEU
31324FAEU
FA/OR/NM/CM/IM

30324TTEU
31324TTEU
TT/AM/OM/OP/BM/HM

30324XXEU
31324XXEU *
XX

* XX: Per tutte le altre finiture fattibili riferirsi a questa fascia di prezzo. / Refer to this line of price for all other realizable finishes.

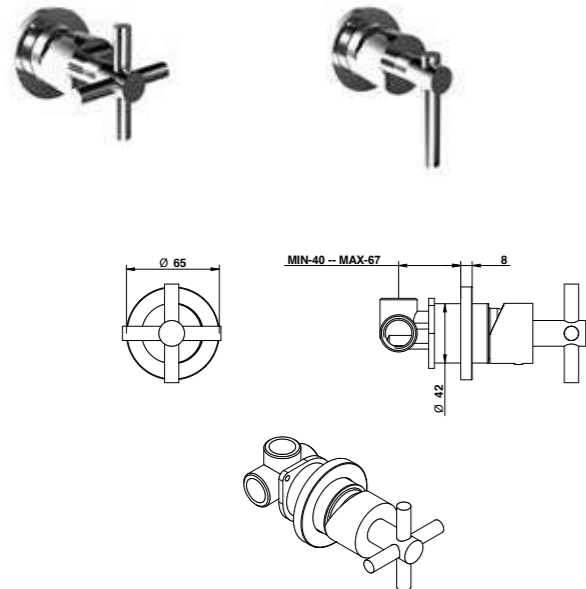
PROLUNGA / MIXER EXTENSION



00100CRPRR

30324/RP - 31324/RP

Miscelatore incasso con cartuccia tradizionale. Built-in mixer with traditional cartridge.



OPTIONAL: Scatola incasso per cartongesso / Built-in box for drywall and cavity wall **09702PBOX**

RICAMBI / SPARE PARTS



9813

ARTICOLO COMPLETO / COMPLETE ITEM

30324CRRP - 31324CRRP
CR

PARTE INCASSO BUILT-IN PART | **PARTE ESTERNA DA ABBINARE** EXTERNAL MATCHING PART

FINITURE / FINISHES

30324/RP | **30324CRRPEU**
31324/RP | **31324CRRPEU**
CR

09761 | **30324NERPEU**
31324/RP | **31324NERPEU**
NE

09761 | **30324NSRPEU**
31324/RP | **31324NSRPEU**
NS/BI/ON/BU

30324FARPEU
31324FARPEU
FA/OR/NM/CM/IM

30324TTRPEU
31324TTRPEU
TT/AM/OM/OP/HM/BM

30324XXRPEU
31324XXRPEU *
XX

* XX: Per tutte le altre finiture fattibili riferirsi a questa fascia di prezzo. / Refer to this line of price for all other realizable finishes.

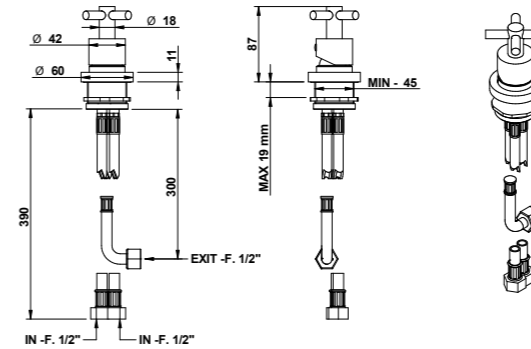
PROLUNGA / MIXER EXTENSION



00100CRPRR

30510 - 31510

Miscelatore bordo piano. Mixer for deck installation.



ARTICOLO COMPLETO / COMPLETE ITEM

30510CR00 - 31510CR00
CR

30510NE00 - 31510NE00
NE/BI/ON/BU/NS

30510FA00 - 31510FA00
FA/OR/NM/CM/IM

30510TT00 - 31510TT00
TT/AM/OM/OP/BM/HM

30510XX00 - 31510XX00 *
XX

* XX: Per tutte le altre finiture fattibili riferirsi a questa fascia di prezzo. / Refer to this line of price for all other realizable finishes.

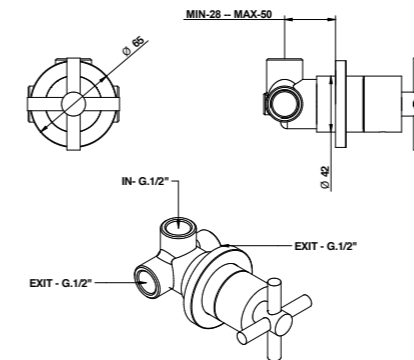
RICAMBI / SPARE PARTS



9813

30556 - 31556

Deviatore a 2 uscite (1 entrata - 2 uscite). 2 way built-in diverter (1 in - 2 out).



ARTICOLO COMPLETO / COMPLETE ITEM

30556CR00 - 31556CR00
CR

PARTE INCASSO BUILT-IN PART | **PARTE ESTERNA DA ABBINARE** EXTERNAL MATCHING PART

FINITURE / FINISHES

30556 | **30556CREU**
31556 | **31556CREU**
CR

09491/2 | **30556NEEU**
31556 | **31556NEEU**
NE

09491/2 | **30556NSEU**
31556 | **31556NSEU**
NS/BI/ON/BU

30556FAEU
31556FAEU
FA/OR/NM/CM/IM

30556TTEU
31556TTEU
TT/AM/OM/OP/HM/BM

30556XXEU
31556XXEU *
XX

* XX: Per tutte le altre finiture fattibili riferirsi a questa fascia di prezzo. / Refer to this line of price for all other realizable finishes.

PROLUNGA / MIXER EXTENSION



00109CRPR

RICAMBI / SPARE PARTS



9808/2

FINITURE E COLORI / FINISHES AND COLOURS



* Disponibile su richiesta / Available on demand

ACCESSORI E RICAMBI / ACCESSORIES AND SPARE PARTS



PROLUNGA
MIXER EXTENSION



CARTUCCIA E VITONE
CARTRIDGE AND MECHANISM



AERATORE
AERATOR



FLESSIBILE
FLEXIBLE



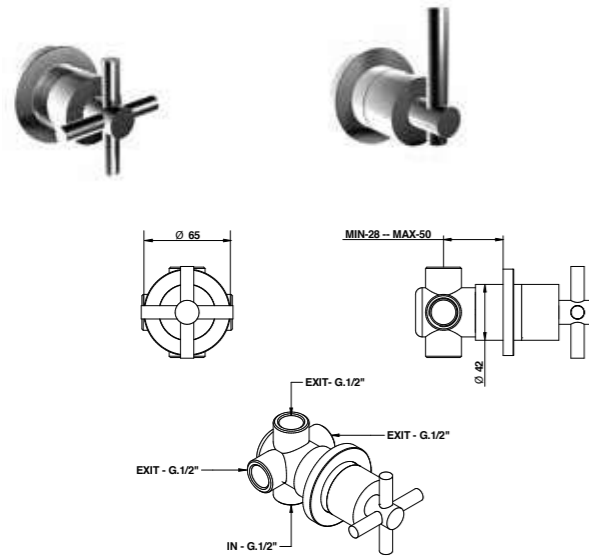
DOCCETTA
HANDSHOWER



DEVIATORE
DIVERTER

30556/3 NEW - 31556/3

Deviatore a 3 uscite (1 entrata - 3 uscite). 3 exits built in diverter (1 in 3 out).

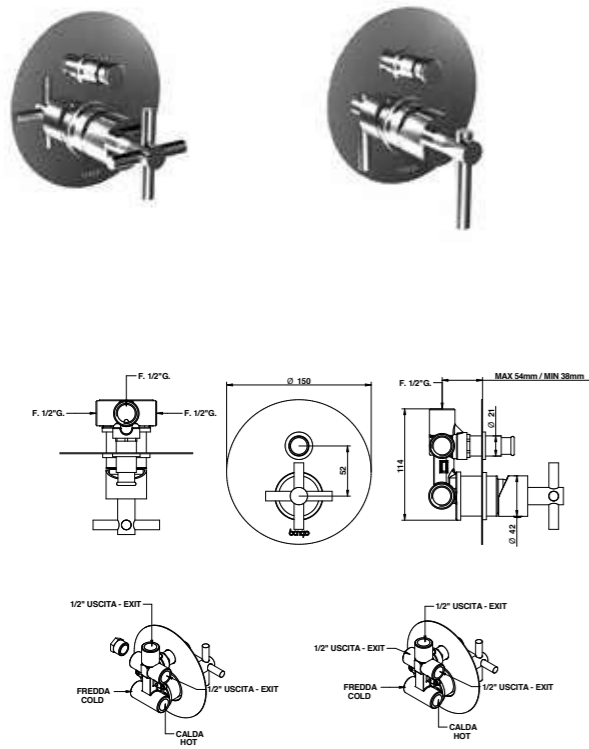


RICAMBI / SPARE PARTS

9808

30329 - 31329

Miscelatore incasso con deviatore automatico a 2 uscite e cartuccia tradizionale. Built-in mixer with 2 way automatic diverter.



FINITURE E COLORI / FINISHES AND COLOURS



* Disponibile su richiesta / Available on demand

ARTICOLO COMPLETO / COMPLETE ITEM

30556CR03 - 31556CR03
CR

PARTE INCASSO / BUILT-IN PART **PARTE ESTERNA DA ABBINARE** / EXTERNAL MATCHING PART

FINITURE / FINISHES

30556/3 **30556CR03EU**
31556CR03EU
CR

09494

31556/3 **30556NE03EU**
31556NE03EU
NE

09494

30556NS03EU
31556NS03EU
NS/BI/ON/BU

30556FA03EU
31556FA03EU
FA/OR/NM/CM/IM

30556TT03EU
31556TT03EU
TT/AM/OM/OP/HM/BM

30556XX03EU
31556XX03EU *
XX

* XX: Per tutte le altre finiture fattibili riferirsi a questa fascia di prezzo. / Refer to this line of price for all other realizable finishes.

PROLUNGA / MIXER EXTENSION

00109CRPR

ARTICOLO COMPLETO / COMPLETE ITEM

30329CR00 - 31329CR00
CR

Il corpo incasso non può essere anticipato. / Built-in body cannot be delivered separately in advance.

Non disponibile in altre finiture. / Not available in other finishes.

PROLUNGA / MIXER EXTENSION

00102CRPRPR

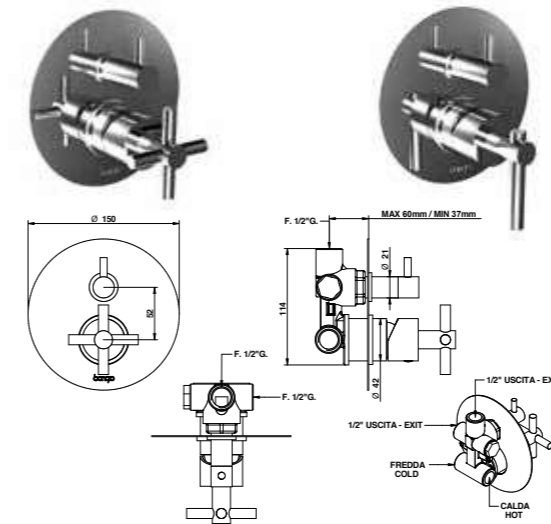
OPTIONAL: Scatola incasso per cartongesso / Built-in box for drywall and cavity wall **09702PBOX**

RICAMBI / SPARE PARTS

9813 **00114CRPR**

30319 - 31319

Miscelatore incasso con deviatore meccanico a 2 uscite e cartuccia tradizionale. Built-in mixer with 2 way mechanical diverter.



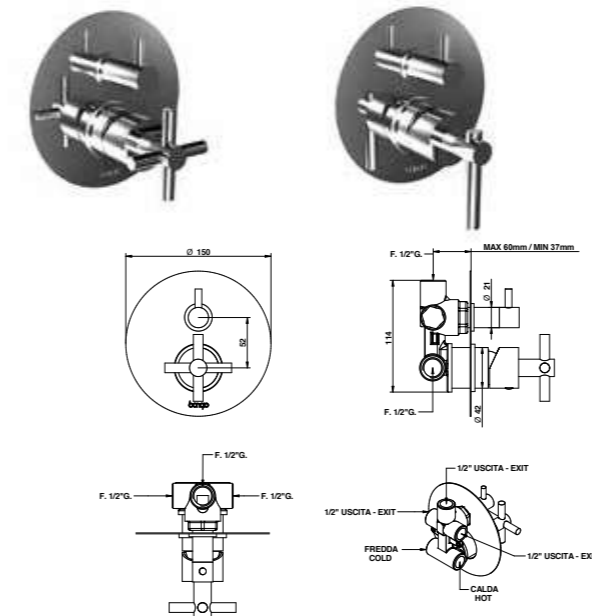
OPTIONAL: Scatola incasso per cartongesso / Built-in box for drywall and cavity wall **09702PBOX**

RICAMBI / SPARE PARTS

9813 **9861**

30319/3 - 31319/3

Miscelatore incasso con deviatore meccanico a 3 uscite e cartuccia tradizionale. Built-in mixer with 3 way mechanical diverter.



OPTIONAL: Scatola incasso per cartongesso / Built-in box for drywall and cavity wall **09702PBOX**

RICAMBI / SPARE PARTS

9813 **9860**

ACCESSORI E RICAMBI / ACCESSORIES AND SPARE PARTS



ARTICOLO COMPLETO / COMPLETE ITEM

30319CR00 - 31319CR00
CR

PARTE INCASSO / BUILT-IN PART **PARTE ESTERNA DA ABBINARE** / EXTERNAL MATCHING PART

FINITURE / FINISHES

30319 **30319CREU**
31319CREU
CR

09763

31319 **30319NEEU**
31319NEEU
NE

09763

30319NSEU
31319NSEU
NS/BI/ON/BU

30319FAEU
31319FAEU
FA/OR/NM/CM/IM

30319TTEU
31319TTEU
TT/AM/OM/OP/HM/BM

30319XXEU
31319XXEU *
XX

* XX: Per tutte le altre finiture fattibili riferirsi a questa fascia di prezzo. / Refer to this line of price for all other realizable finishes.

PROLUNGA / MIXER EXTENSION

00102CRPRP3

ARTICOLO COMPLETO / COMPLETE ITEM

30319CR03 - 31319CR03
CR

PARTE INCASSO / BUILT-IN PART **PARTE ESTERNA DA ABBINARE** / EXTERNAL MATCHING PART

FINITURE / FINISHES

30319/3 **30319CR03EU**
31319CR03EU
CR

09763/3

31319/3 **30319NE03EU**
31319NE03EU
NE

09763/3

30319NS03EU
31319NS03EU
NS/BI/ON/BU

30319FA03EU
31319FA03EU
FA/OR/NM/CM/IM

30319TT03EU
31319TT03EU
TT/AM/OM/OP/HM/BM

30319XX03EU
31319XX03EU *
XX

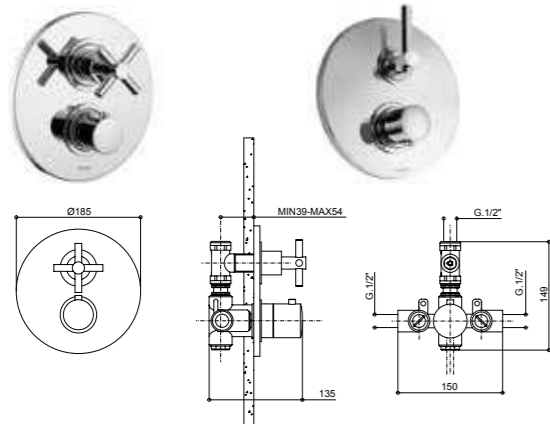
* XX: Per tutte le altre finiture fattibili riferirsi a questa fascia di prezzo. / Refer to this line of price for all other realizable finishes.

PROLUNGA / MIXER EXTENSION

00102CRPRP3

30544 - 31544

Termostatico incasso 1/2". 1/2" built-in thermostatic mixer.



Pressione dinamica minima di utilizzo: 3 bar
Portata a pressione dinamica: 3 bar - 32 l/min - 38° Mix / Minimum dynamic pressure of use: 3 bar
Flow rates at dynamic pressure: 3 bar - 32 l/min - 38° Mix

PROLUNGA / MIXER EXTENSION

00105CRTCPR

RICAMBI / SPARE PARTS

8900TM * **9788 ◻**

*Cartuccia miscelatrice / Mixer cartridge
◻Cartuccia apertura-chiusura / Open-close cartridge

ARTICOLO COMPLETO / COMPLETE ITEM

30544CR00 - 31544CR00
CR

PARTE INCASSO / BUILT-IN PART **PARTE ESTERNA DA ABBINARE** / EXTERNAL MATCHING PART

FINITURE / FINISHES

30544 **30544CREU**
31544 **31544CREU**
CR

09787 **30544NEEU**
31544 **31544NEEU ***
NE

09787 **30544NSEU**
31544NSEU *
NS/BI/ON/BU

30544FAEU
 31544FAEU *
 FA/OR/NM/CM/IM

30544TTEU
 31544TTEU *
 TT/AM/OM/OP/HM/BM

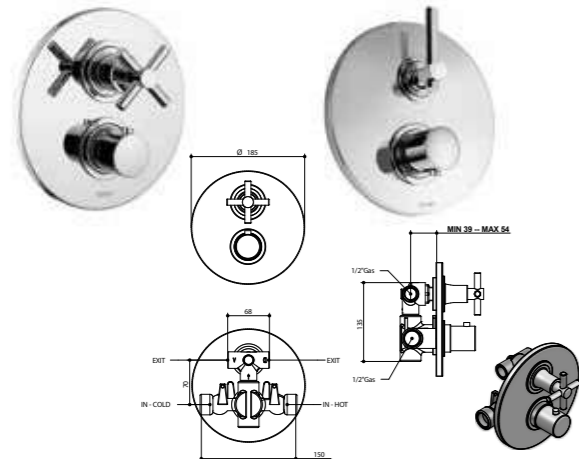
30544XXEU
 31544XXEU ◻
 XX

* Nelle varianti colore verniciate e satinare alcuni particolari saranno in finitura galvanica per garantire gli standard qualitativi. / To assure our quality standard on colored and satin product, some details remain in galvanic finishes.

◻ XX: Per tutte le altre finiture fattibili riferirsi a questa fascia di prezzo. / Refer to this line of price for all other realizable finishes.

30549 - 31549

Miscelatore termostatico incasso 1/2" con deviatore a 2 uscite. 1/2" built-in thermostatic mixer with 2 way diverter.



PROLUNGA / MIXER EXTENSION

00105CRTC49PR

RICAMBI / SPARE PARTS

8900TM * **9788/02 ◻**

*Cartuccia miscelatrice / Mixer cartridge
◻Cartuccia di apertura-chiusura e deviazione / Diverter and open-close cartridge

FINITURE E COLORI / FINISHES AND COLOURS



* Disponibile su richiesta / Available on demand

ARTICOLO COMPLETO / COMPLETE ITEM

30549CR00 - 31549CR00
CR

PARTE INCASSO / BUILT-IN PART **PARTE ESTERNA DA ABBINARE** / EXTERNAL MATCHING PART

FINITURE / FINISHES

30549 **30549CREU**
31549 **31549CREU**
CR

09728 **30549NEEU**
31549 **31549NEEU ***
NE

09728 **30549NSEU**
31549NSEU *
NS/BI/ON/BU

30549FAEU
 31549FAEU *
 FA/OR/NM/CM/IM

30549TTEU
 31549TTEU *
 TT/AM/OM/OP/HM/BM

30549XXEU
 31549XXEU ◻
 XX

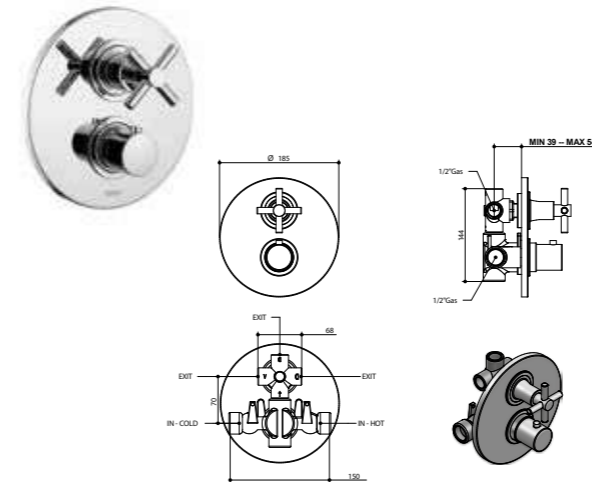
* Nelle varianti colore verniciate e satinare alcuni particolari saranno in finitura galvanica per garantire gli standard qualitativi. / To assure our quality standard on colored and satin product, some details remain in galvanic finishes.

◻ XX: Per tutte le altre finiture fattibili riferirsi a questa fascia di prezzo. / Refer to this line of price for all other realizable finishes.

Pressione dinamica minima di utilizzo: 3 bar
Portata a pressione dinamica: 3 bar - 15 l/min - 38° Mix - 3 bar - 23 l/min - 38° Mix / Minimum dynamic pressure of use: 3 bar
Flow rates at dynamic pressure: 3 bar - 15 l/min - 38° Mix - 3 bar - 23 l/min - 38° Mix

30549/3

Miscelatore termostatico incasso 1/2" con deviatore a 3 uscite. 1/2" built-in thermostatic mixer with 3 way diverter.



PROLUNGA / MIXER EXTENSION

00051CRTC49PR

RICAMBI / SPARE PARTS

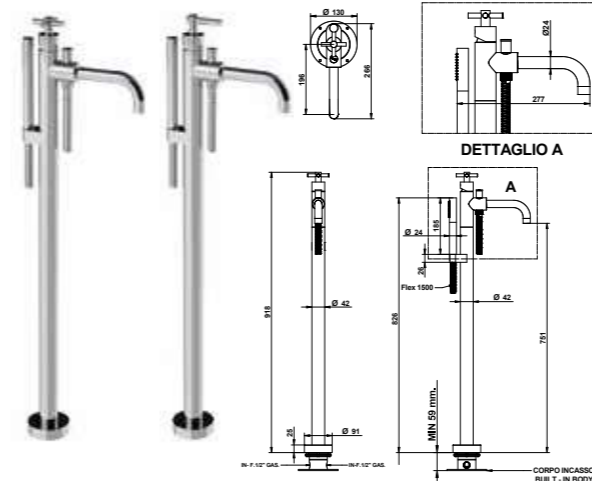
8900TM * **9788/3 ◻**

*Cartuccia miscelatrice / Mixer cartridge
◻Cartuccia di apertura-chiusura e deviazione / Diverter and open-close cartridge

30534/D - 31534/D

Miscelatore vasca a pavimento con set doccia e deviatore. Bath mixer to the floor with shower set and diverter.

Dettaglio flessibili / Flexible details pag. 42



RICAMBI / SPARE PARTS

9812 **9996CR**

9600CR **00850CR0E**

00116CR **00850XX00 ***

9600XXPV ◻

* Ricambio per finiture diverse dal cromo. / Spare parts for different finishes.
◻ Per le finiture verniciate e satinare il flessibile verrà fornito in PVC nero. / The flexible hose will be supplied in black PVC for painted and matt finishes.

ACCESSORI E RICAMBI / ACCESSORIES AND SPARE PARTS

ARTICOLO COMPLETO / COMPLETE ITEM

30549CR03
CR

PARTE INCASSO / BUILT-IN PART **PARTE ESTERNA DA ABBINARE** / EXTERNAL MATCHING PART

FINITURE / FINISHES

09728/3 **30549CR03EU**
CR

30549NE03EU *
 NE

30549NS03EU *
 NS/BI/ON/BU

30549FA03EU *
 FA/OR/NM/CM/IM

30549TT03EU *
 TT/AM/OM/OP/HM/BM

30549XX03EU ◻
 XX

* Nelle varianti colore verniciate e satinare alcuni particolari saranno in finitura galvanica per garantire gli standard qualitativi. / To assure our quality standard on colored and satin product, some details remain in galvanic finishes.

◻ XX: Per tutte le altre finiture fattibili riferirsi a questa fascia di prezzo. / Refer to this line of price for all other realizable finishes.

Pressione dinamica minima di utilizzo: 3 bar
Portata a pressione dinamica: 3 bar - 15 l/min - 38° Mix - 3 bar - 23 l/min - 38° Mix / Minimum dynamic pressure of use: 3 bar
Flow rates at dynamic pressure: 3 bar - 15 l/min - 38° Mix - 3 bar - 23 l/min - 38° Mix

ARTICOLO COMPLETO / COMPLETE ITEM

30534CR0D - 31534CR0D
CR

PARTE INCASSO / BUILT-IN PART **PARTE ESTERNA DA ABBINARE** / EXTERNAL MATCHING PART

FINITURE / FINISHES

30534/D **30534CR0DEU**
31534/D **31534CR0DEU**
CR

09744 **30534NE0DEU**
31534/D **31534NE0DEU ***
NE

09744 **30534NS0DEU**
31534/D **31534NS0DEU ***
NS/BI/ON/BU

30534FA0DEU
 31534FA0DEU *
 FA/OR/NM/CM/IM

30534TT0DEU
 31534TT0DEU *
 TT/AM/OM/OP/HM/BM

30534XX0DEU
 31534XX0DEU ◻
 XX

* Nelle varianti colore verniciate e satinare alcuni particolari saranno in finitura galvanica per garantire gli standard qualitativi. / To assure our quality standard on colored and satin product, some details remain in galvanic finishes.

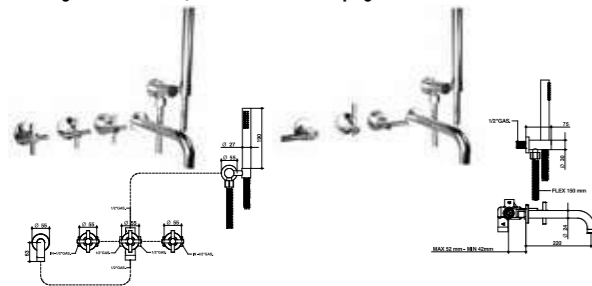
◻ XX: Per tutte le altre finiture fattibili riferirsi a questa fascia di prezzo. / Refer to this line of price for all other realizable finishes.



30430/D - 31430/D

Gruppo vasca incasso con set doccia duplex. Built-in bath and shower mixer with duplex shower set.

Dettaglio flessibili / Flexible details pag. 42



RICAMBI / SPARE PARTS 31430/D

9791 *	9792 □
--------	--------

RICAMBI / SPARE PARTS 31430/D

9791 *	9792 □
9999CR	09600CR
00850CR0E	00112DM
00850XX00 □	9600XXPV ▲

* Calda / Hot
 □ Fredda / Cold
 ▲ Ricambio per finiture diverse dal cromo. / Spare parts for different finishes.
 Per le finiture verniciate e satinare il flessibile verrà fornito in PVC nero. / The flexible hose will be supplied in black PVC for painted and matt finishes.

ARTICOLO COMPLETO / COMPLETE ITEM

30430CR0D - 31430CR0D
 CR

PARTE INCASSO BUILT-IN PART **PARTE ESTERNA DA ABBINARE EXTERNAL MATCHING PART**

FINITURE / FINISHES

30430/D	30430CR0DEU 31430CR0DEU CR
09680	30430NE0DEU 31430NE0DEU NE
31430/D	30430NS0DEU 31430NS0DEU NS/BI/ON/BU
09680/TL	30430FA0DEU 31430FA0DEU FA/OR/NM/CM/IM
	30430TT0DEU 31430TT0DEU TT/AM/OM/OP/BM/HM
	30430XX0DEU 31430XX0DEU *

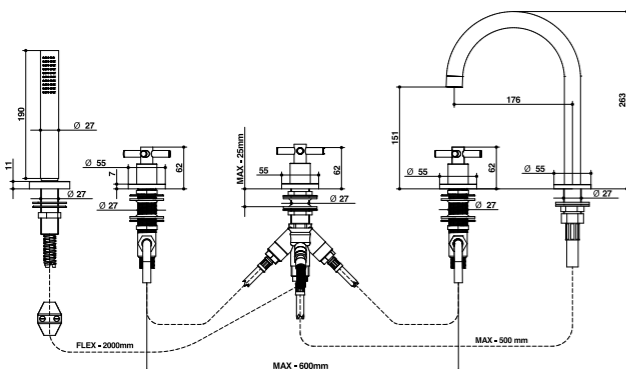
* XX: Per tutte le altre finiture fattibili riferirsi a questa fascia di prezzo. / Refer to this line of price for all other realizable finishes.

PROLUNGA / MIXER EXTENSION

00083CR00	3 pz. per articolo Cad. / Each
	/ 3 pcs needed

30431/D - 31431/D

Gruppo bordo vasca/cinque fori, con set doccia. Five holes deck bath and shower mixer with shower set.



ARTICOLO COMPLETO /// COMPLETE ITEM

30431CR0D - 31431CR0D
 CR

30431NE0D - 31431NE0D
 NE

30431NS0D - 31431NS0D
 NS/BI/ON/BU

30431FA0D - 31431FA0D
 FA/BM/NM/CM/IM/HM

30431TT0D - 31431TT0D
 TT/AM/OM/OP

30431XX0D - 31431XX0D *

* XX: Per tutte le altre finiture fattibili riferirsi a questa fascia di prezzo. / Refer to this line of price for all other realizable finishes.

RICAMBI // SPARE PARTS 30431/D

9791 *	9792 □
9999CR	9606CR
00850CR0E	00112DV
00850XX00 □	

RICAMBI // SPARE PARTS 31431/D

9791 *	9792 □
--------	--------

* Calda // Hot
 □ Fredda // Cold
 ▲ Ricambio per finiture diverse dal cromo. // Spare part for different finishes.
 Per le finiture verniciate e satinare il flessibile verrà fornito in PVC nero. //

FINITURE E COLORI / FINISHES AND COLOURS

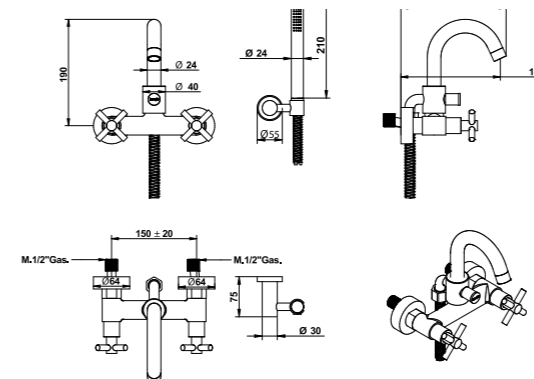


* Disponibile su richiesta / Available on demand

30536/D - 31536/D

Gruppo vasca/esterno/con set doccia/ Esternal bath and shower mixer with duplex shower set.

Dettaglio flessibili / Flexible details pag. 42



* Calda / Hot
 □ Fredda / Cold
 ▲ Ricambio per finiture diverse dal cromo. / Spare part for different finishes.
 Per le finiture verniciate e satinare il flessibile verrà fornito in PVC nero. / The flexible hose will be supplied in black PVC for painted and matt finishes.

ARTICOLO COMPLETO /// COMPLETE ITEM

30536CR0D - 31536CR0D
 CR

30536NE0D - 31536NE0D *

30536NS0D - 31536NS0D *

30536FA0D - 31536FA0D *

30536TT0D - 31536TT0D

30536XX0D - 31536XX0D □

* Nelle varianti colore/verniciate/satinare/alcuni particolari saranno in finitura galvanica per garantire gli standard qualitativi. // To assure our quality/standard/on colored and satin product, some details remain in galvanic finishes.
 □ XX: Per tutte le altre finiture fattibili riferirsi a questa fascia di prezzo. // Refer to this line of price for all other realizable finishes.

RICAMBI // SPARE PARTS 30536/D

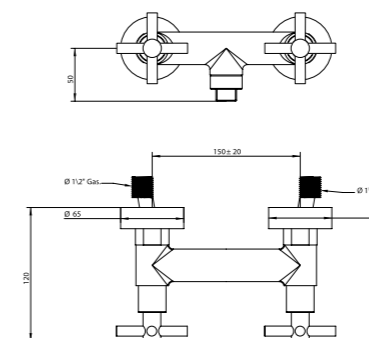
9791 *	9792 □
9999CR	09600CR
00850CR0E	00116CR
00850XX00 □	9600XXPV *

RICAMBI // SPARE PARTS 31536/D

9791 *	9792 □
--------	--------

30523 - 31523

Gruppo esterno per doccia. External shower mixer.



ARTICOLO COMPLETO /// COMPLETE ITEM

30523CR00 - 31523CR00
 CR

30523NE00 - 31523NE00 *

30523NS00 - 31523NS00 *

30523FA00 - 31523FA00 *

30523TT00 - 31523TT00 *

30523XX00 - 31523XX00 □

* Nelle varianti colore/verniciate/satinare/alcuni particolari saranno in finitura galvanica per garantire gli standard qualitativi. // To assure our quality/standard/on colored and satin product, some details remain in galvanic finishes.
 □ XX: Per tutte le altre finiture fattibili riferirsi a questa fascia di prezzo. // Refer to this line of price for all other realizable finishes.

Flessibile non incluso. // Flexible not included.

ABBINABILE A // TO MATCH WITH:
 Asta saliscendi // Sliding rail / B70

RICAMBI // SPARE PARTS 30523

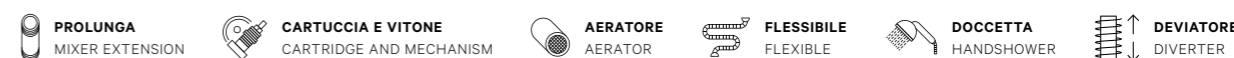
9791 *	9792 □
--------	--------

RICAMBI // SPARE PARTS 31523

9791 *	9792 □
--------	--------

* Calda // Hot
 □ Fredda // Cold

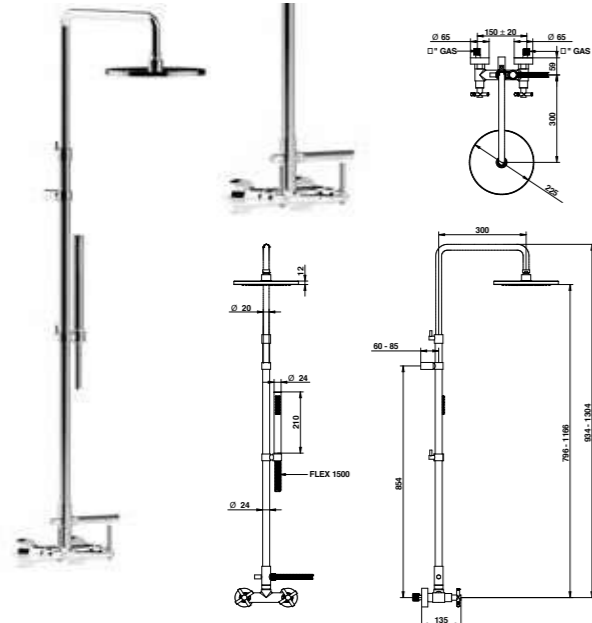
ACCESSORI E RICAMBI / ACCESSORIES AND SPARE PARTS



30537/D - 31537/D

Gruppo doccia esterno con tubo, soffione e set duplex. External shower mixer with tube, shower head and duplex shower set.

Dettaglio flessibili / Flexible details pag. 42



* Calda / Hot
 * Fredda / Cold
 □ Ricambio per finiture diverse dal cromo. / Spare part for different finishes.
 □ Per le finiture verniciate e satinare il flessibile verrà fornito in PVC nero. / The flexible hose will be supplied in black PVC for painted and matt finishes.

ARTICOLO COMPLETO / COMPLETE ITEM

30537CR0D - 31537CR0D
 CR

30537NE0D - 31537NE0D *
 NE

30537NS0D - 31537NS0D *
 NS/BI/ON/BU

30537FA0D - 31537FA0D *
 FA/OR/NM/CM/IM

30537TT0D - 31537TT0D *
 TT/AM/OM/OP/HM/BM

30537XX0D - 31537XX0D □
 XX

* Nelle varianti colore verniciate e satinare alcuni particolari saranno in finitura galvanica per garantire gli standard qualitativi. / To assure our quality standard on colored and satin product, some details remain in galvanic finishes.
 □ XX: Per tutte le altre finiture fattibili riferirsi a questa fascia di prezzo. / Refer to this line of price for all other realizable finishes.

RICAMBI / SPARE PARTS 30537/D

9791 *	9792 □
09600CR	00850CR0E
00121CR00	00850XX00 □
9600XXPV □	

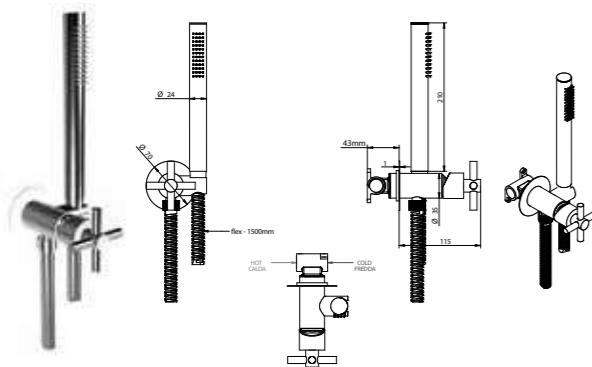
RICAMBI / SPARE PARTS 31537/D

9791 *	9792 □
--------	--------

30915 MISCELATORE INTEGRATO / INTEGRATED MIXER

Set doccia ad incasso con miscelatore tradizionale integrato ad uso doccia, vasca e bidet completo di doccetta. Duplex shower set with integrated traditional mixer for shower/bathtub and bidet.

Dettaglio flessibili / Flexible details pag. 42



RICAMBI / SPARE PARTS

9820/32	9600CR
00850CR0E	00850XX00 *
9600XXPV □	

* Ricambio per finiture diverse dal cromo. / Spare parts for different finishes.
 □ Per le finiture verniciate e satinare il flessibile verrà fornito in PVC nero. / The flexible hose will be supplied in black PVC for painted and matt finishes.

ARTICOLO COMPLETO / COMPLETE ITEM

30915CR00
 CR

PARTE INCASSO
 BUILT-IN PART

PARTE ESTERNA DA ABBINARE
 EXTERNAL MATCHING PART

09490/CT

FINITURE / FINISHES

30915CREU
 CR

30915NEEU *
 NE

30915NSEU *
 NS/BI/ON/BU

30915FAEU *
 FA/NM/CM/IM/OR

30915TTEU
 TT/AM/OM/OP/HM/BM

30915XXEU □
 XX

* Nelle varianti colore verniciate e satinare alcuni particolari saranno in finitura galvanica per garantire gli standard qualitativi. / To assure our quality standard on colored and satin product, some details remain in galvanic finishes.
 □ XX: Per tutte le altre finiture fattibili riferirsi a questa fascia di prezzo. / Refer to this line of price for all other realizable finishes.

FINITURE E COLORI / FINISHES AND COLOURS

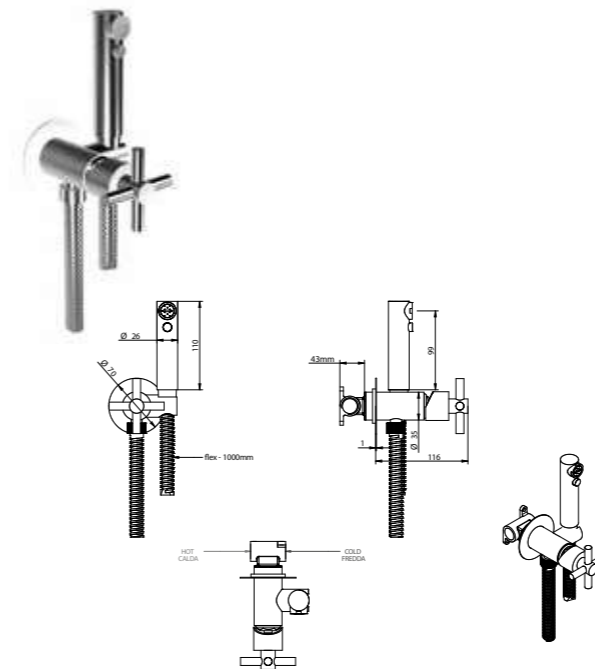


* Disponibile su richiesta / Available on demand

30916 MISCELATORE INTEGRATO / INTEGRATED MIXER

Set doccia bidet per wc ad incasso con miscelatore tradizionale integrato e doccetta. Shattaf shower set for wc with integrated traditional mixer and handshower.

Dettaglio flessibili / Flexible details pag. 42



ARTICOLO COMPLETO / COMPLETE ITEM

30916CR00
 CR

PARTE INCASSO
 BUILT-IN PART

PARTE ESTERNA DA ABBINARE
 EXTERNAL MATCHING PART

09490/CT

FINITURE / FINISHES

30916CREU
 CR

30916NEEU *
 NE

30916NSEU *
 NS/BI/ON/BU

30916FAEU *
 FA/NM/CM/IM/OR

30916TTEU
 TT/AM/OM/OP/HM/BM

30916XXEU □
 XX

* Nelle varianti colore verniciate e satinare alcuni particolari saranno in finitura galvanica per garantire gli standard qualitativi. / To assure our quality standard on colored and satin product, some details remain in galvanic finishes.
 □ XX: Per tutte le altre finiture fattibili riferirsi a questa fascia di prezzo. / Refer to this line of price for all other realizable finishes.

RICAMBI / SPARE PARTS

9820/32	09610CR
00904CRDO	



Art. 30401NS00

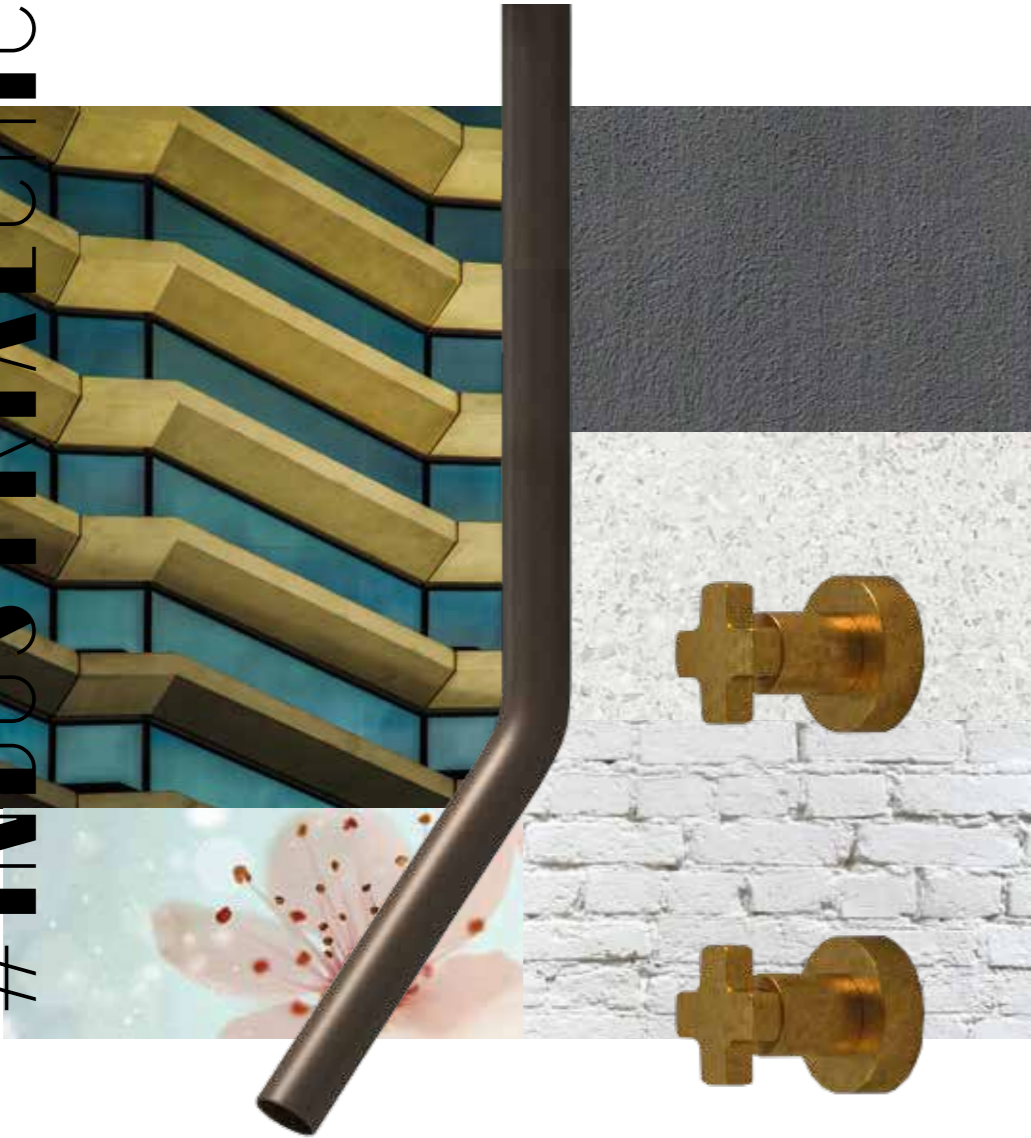
ACCESSORI E RICAMBI / ACCESSORIES AND SPARE PARTS



ALCOR

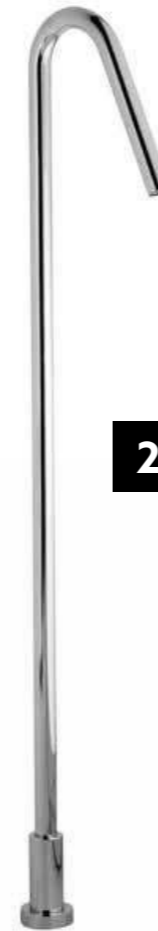
DESIGN CENTER DIRECTED BY
ANTONIO BONGIO

#INDUSTRIALCHIC



1

THE CULTURE OF MATERIALS



2



3

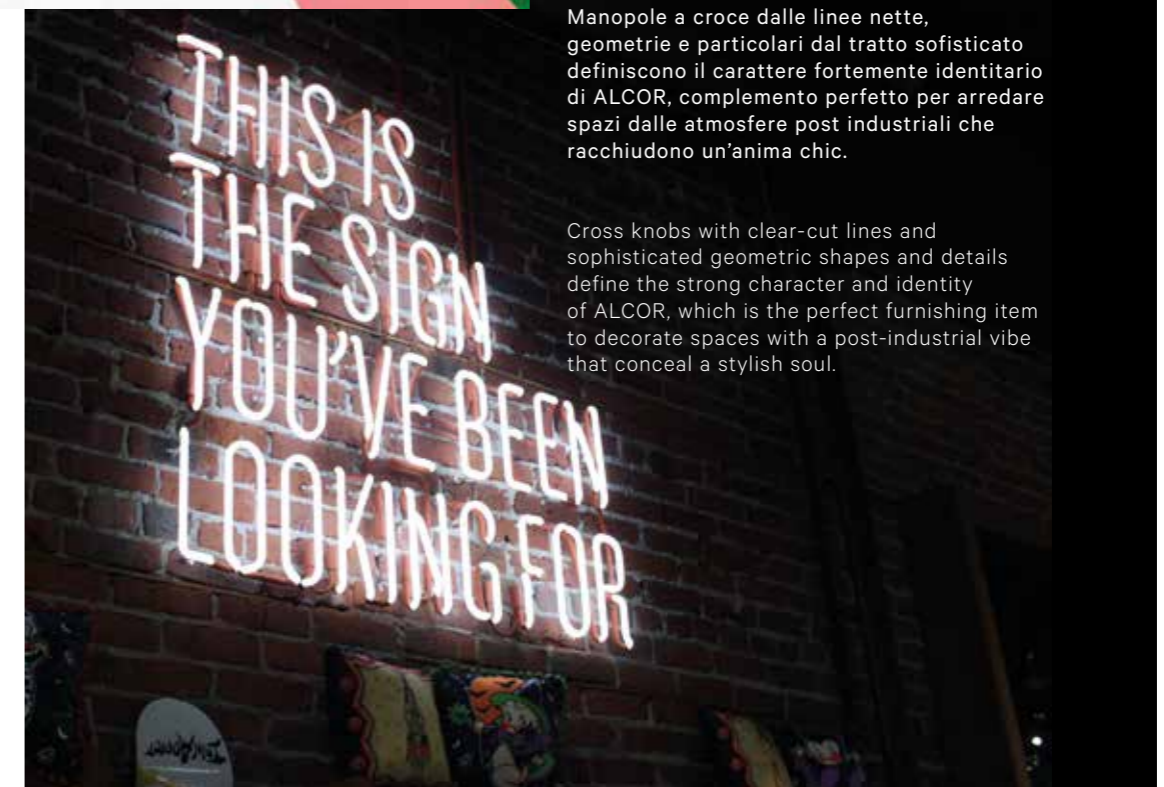
- 1. Art. 42400BU00
- 2. Art. 00985CR90
- 3. Art. 00877RB00 +
Art. 38030/Q (pag. 1057)

GEOMETRIE SOFISTICATE

*Sophisticated
geometric shapes*

Manopole a croce dalle linee nette, geometrie e particolari dal tratto sofisticato definiscono il carattere fortemente identitario di ALCOR, complemento perfetto per arredare spazi dalle atmosfere post industriali che racchiudono un'anima chic.

Cross knobs with clear-cut lines and sophisticated geometric shapes and details define the strong character and identity of ALCOR, which is the perfect furnishing item to decorate spaces with a post-industrial vibe that conceal a stylish soul.





LAVABO / WASHBASIN
 Art. 42400BU00
 Art. 00877RB00 +
 Art. 38030/Q

VASCA / BATHTUB
 Art. 42400BU00
 Art. 00985RB70

DOCCIA / SHOWER
 Art. 42400BU00
 Art. 42425BU00
 Art. 00830RB00
 Art. 00804RB30
 Art. 00882RB00

SPECIAL THANKS TO

 **atlas concorde**

www.atlasconcorde.com

LAVABO / WASHBASIN
Art. 42400BU00



#RAWURBANSOUL

LAVABO / WASHBASIN
Art. 42400BU00
Art. 00877TT00
Art. 38030/Q
Art. 42322BU00

Progetto / Project
Marco Giovinzano
Architect

Foto / Photo
Mariagiulia Serra





LAVABO / WASHBASIN
Art. 00877RB00 +
Art. 38030/O
Art. 42400BU00

INFORMAZIONI TECNICHE

Technical details



VITONI E CARTUCCE: La serie Alcor è dotata di vitoni a dischi ceramici da 1/4 di giro e di cartucce ø 35 mm. senza distributore tradizionale.

La temperatura d'impianto non deve superare i 70°C. La pressione di esercizio dell'impianto consigliata è di 3 bar.

EROGAZIONE: La serie Alcor ha un tipo di erogazione morbida. **I lavabi e i bidet sono forniti con limitatore di portata da 6l/m.**

SISTEMI DI DEVIAZIONE: I deviatori Bongio sono testati per funzionare da un minimo di 0,5 bar pressione.

INSTALLAZIONE: Tutti gli articoli ad incasso Bongio completi sono forniti di relative parti da incassare.

Gli articoli doccia e vasca esterni hanno un interasse di 15±20 mm.

Per gli articoli lavabo e bidet, monoforo e tre fori, da installarsi su piano devono essere realizzati fori di ø 35 mm massimo.

NOTA FINITURE FA / TT

I prodotti nelle finiture Ferro Antico (FA) e Terra di Toscana (TT) vengono realizzati con trattamenti manuali e, data la particolare lavorazione artigianale, possono presentare una colorazione non uniforme.

NOTA FINITURE ON / BU

Le finiture Ottone Naturale (ON) e Ottone Burattato (BU) sono finiture naturali che con il tempo a contatto con l'atmosfera cambiano di tonalità. Ricordano il sapore materico e grezzo delle vecchie rubinetterie utilizzate anche in esterno. Interessante contrasto anche per le serie più moderne.

CARTRIDGE & MECHANISM: Alcor series has 1/4' turn ceramic disc mechanism and ø 35 mms traditional cartridge.

The temperature of the plant should not exceed 70 degrees. The suggested working pressure of the plant has to be 3 bar.

SUPPLY: Alcor series has a soft supply. **Basin and bidet mixers have a standard limitation of flow to 6l/m.**

DIVERTING SYSTEMS: Bongio diverters have been tested to work properly starting from a minimum 0,5 bar pressure

INSTALLATION: All the built-in Bongio items are available with universal raw built-in body.

All the external shower and bath mixers have the 15±20 mms interaxe.

For the basin and bidet mixers - single or three holes - to be place on top deck, they require ø 35 mms maximum holes.

FINISHES NOTE FA / TT

Products in Ferro Antico (FA) and Terra di Toscana (TT) finish are made with manual treatments and may therefore display colour variations due to the particular craftsmanship.

NOTE ON FINISHES ON / BU

The Natural Brass (ON) and Hammered Brass (BU) finishes are natural finishes that change color over time by being in contact with the natural atmosphere. They are reminiscent of the materials and rustic nature of old outdoor taps, providing an enticing contrast even for the most modern series.

FINITURE E COLORI / FINISHES AND COLOURS

DETTAGLI / MORE INFO PAG. 38



CR
Cromo
Chrome



BU
Ottone Burattato
Hammered Brass



TT
Terra di Toscana
Tuscany Bronze



FA
Ferro Antico
Old Iron



NS
Nichel Spazzolato
Brushed Nickel



CM
Cromo Satinato
Matt Chrome



IM
Nichel Satinato
Matt Nickel



OP
Oro Spazzolato 24kt
24kt Brushed Gold



OM
Oro Satinato
Matt Gold



AM
Oro Rosa Satinato
Matt Rose Gold



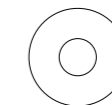
ON
Ottone Naturale
Natural Brass



HM
Oro Francese Satinato
Matt French Gold



BM
Bronzo Opaco
Matt Bronze



BI
Bianco Opaco
Matt White

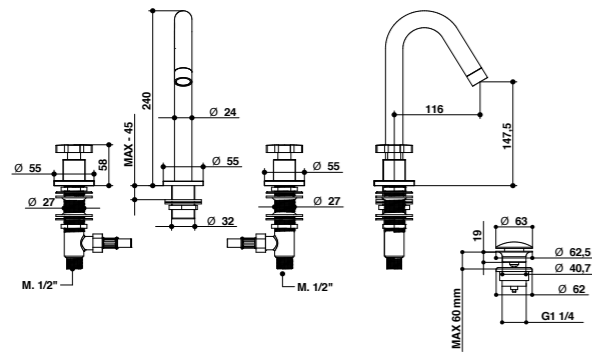


NE
Nero Opaco
Matt Black
(RAL 9005)

42401

Gruppo lavabo tre fori con piletta clic-clac.

Three holes basin mixer with clicclac waste.



ARTICOLO COMPLETO / COMPLETE ITEM

- 42401CR00**
CR
- 42401BU00**
BU/NS/BI/NE/ON
- 42401TT00**
TT/CM/IM
- 42401FA00**
FA/OP/OM/BM/HM
- 42401XX00 ***
XX

* XX: Per tutte le altre finiture fattibili riferirsi a questa fascia di prezzo. / Refer to this line of price for all other realizable finishes.

ABBINABILE A / TO MATCH WITH:
Sifone / Siphon - **0067CR00**

RICAMBI / SPARE PARTS

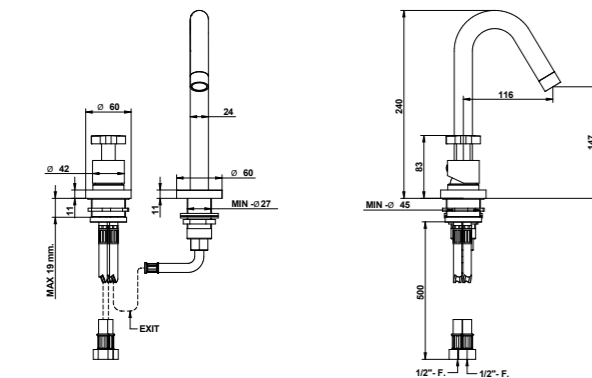
	9792 *		9792 □
	9999CR		

* Calda / Hot
□ Fredda / Cold

42302

Gruppo lavabo bordo piano due fori con cartuccia tradizionale e piletta clic-clac.

Two hole basin mixer with traditional cartridge and clic-clac waste.



ARTICOLO COMPLETO / COMPLETE ITEM

- 42302OR00**
CR
- 42302BU00**
BU/NS/BI/NE/ON
- 42302TT00**
TT/CM/IM
- 42302FA00**
FA/OP/OM/BM/HM
- 42302XX00 ***
XX

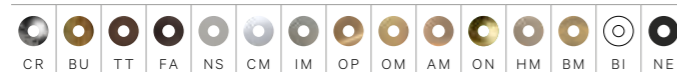
* XX: Per tutte le altre finiture fattibili riferirsi a questa fascia di prezzo. / Refer to this line of price for all other realizable finishes.

ABBINABILE A / TO MATCH WITH:
Sifone / Siphon - **0067CR00**

RICAMBI / SPARE PARTS

	9813		9999CR
--	-------------	--	---------------

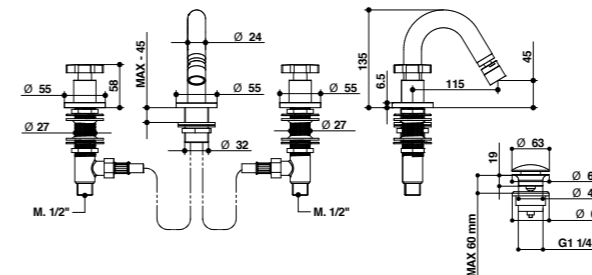
FINITURE E COLORI / FINISHES AND COLOURS



42403

Gruppo bidet tre fori con piletta clic-clac.

Three holes bidet mixer with clicclac waste.



ARTICOLO COMPLETO / COMPLETE ITEM

- 42403CR00**
CR
- 42403BU00**
BU/NS/BI/NE/ON
- 42403TT00**
TT/CM/IM
- 42403FA00**
FA/OP/OM/BM/HM
- 42403XX00 ***
XX

* XX: Per tutte le altre finiture fattibili riferirsi a questa fascia di prezzo. / Refer to this line of price for all other realizable finishes.

ABBINABILE A / TO MATCH WITH:
Sifone / Siphon - **00066CR00**

RICAMBI / SPARE PARTS

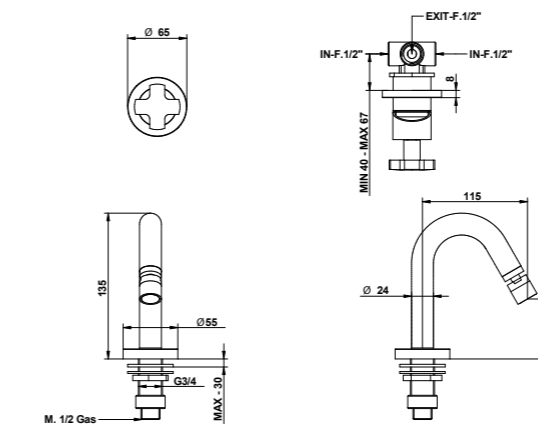
	9792 *		9792 □
	99980CR		

* Calda / Hot
□ Fredda / Cold

42303

Gruppo bidet con bocca da piano, miscelatore incasso a muro e piletta clic-clac.

Bidet set with deck spout, built-in mixer and clic-clac waste.



ARTICOLO COMPLETO / COMPLETE ITEM

- 42303CR00**
CR

PARTE INCASSO / BUILT-IN PART **PARTE ESTERNA DA ABBINARE / EXTERNAL MATCHING PART**

9761

FINITURE / FINISHES

- 42303CR00**
CR
- 42303BU00**
BU/NS/BI/NE/ON
- 42303TT00**
TT/CM/IM
- 42303FA00**
FA/OP/OM/BM/HM
- 42303XX00 ***
XX

* XX: Per tutte le altre finiture fattibili riferirsi a questa fascia di prezzo. / Refer to this line of price for all other realizable finishes.

ABBINABILE A / TO MATCH WITH:
Sifone / Siphon - **00066CR00**

PROLUNGA / MIXER EXTENSION

- 00100CRPRR**

OPTIONAL: Scatola incasso per cartongesso / Built-in box for drywall and cavity wall **09702PBOX**

RICAMBI / SPARE PARTS

	9813		9980CR
--	-------------	--	---------------

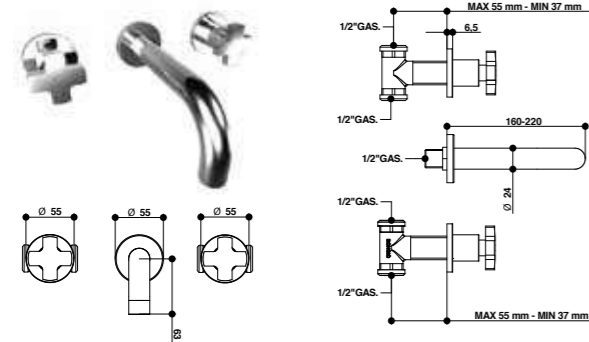
ACCESSORI E RICAMBI / ACCESSORIES AND SPARE PARTS



42438/16-22

Gruppo lavabo a parete con bocca 160-220 mm.

Wall basin mixer with 160-220 mms. spout.



ABBINABILE A / TO MATCH WITH:
Sifone / Siphon - **00067CR00**
Piletta clic-clac / Clic-clac waste - **00079CR00**

PROLUNGA / MIXER EXTENSION

00083CR00	2 pz. per articolo / 2 pcs needed	Cad. / Each
------------------	-----------------------------------	-------------

RICAMBI / SPARE PARTS

	9792 *		9792 □
	9999CR		

* Calda / Hot
□ Fredda / Cold

ARTICOLO COMPLETO / COMPLETE ITEM

42438CR16
CR
42438CR22
CR

PARTE INCASSO
BUILT-IN PART

PARTE ESTERNA DA ABBINARE
EXTERNAL MATCHING PART

09767

FINITURE / FINISHES

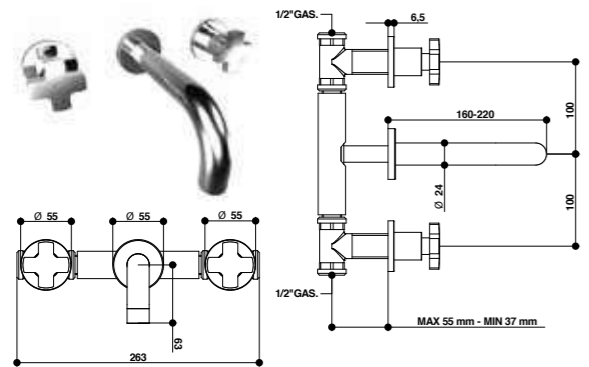
- 42438CR16EU**
CR
- 42438CR22EU**
CR
- 42438BU16EU**
BU/NS/BI/NE/ON
- 42438BU22EU**
BU/NS/BI/NE/ON
- 42438IM16EU**
IM/CM/TT
- 42438IM22EU**
IM/CM/TT
- 42438FA16EU**
FA/OP/OM/BM/HM
- 42438FA22EU**
FA/OP/OM/BM/HM
- 42438XX16EU ***
XX
- 42438XX22EU ***
XX

* XX: Per tutte le altre finiture fattibili riferirsi a questa fascia di prezzo. / Refer to this line of price for all other realizable finishes.

42438/1A-2A

Gruppo lavabo a parete con bocca 160-220 mm completo di connessioni incasso.

Wall basin mixer with 160-220 mms. spout complete with built-in connections.



PROLUNGA / MIXER EXTENSION

00083CR00	2 pz. per articolo / 2 pcs needed	Cad. / Each
------------------	-----------------------------------	-------------

RICAMBI / SPARE PARTS

	9792 *		9792 □
	9999CR		

* Calda / Hot
□ Fredda / Cold

ARTICOLO COMPLETO / COMPLETE ITEM

42438CR1A
CR
42438CR2A
CR

PARTE INCASSO
BUILT-IN PART

PARTE ESTERNA DA ABBINARE
EXTERNAL MATCHING PART

09767/T

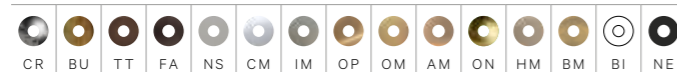
FINITURE / FINISHES

- 42438CR1AEU**
CR
- 42438CR2AEU**
CR
- 42438BU1AEU**
BU/NS/BI/NE/ON
- 42438BU2AEU**
BU/NS/BI/NE/ON
- 42438TT1AEU**
TT/CM/IM
- 42438TT2AEU**
TT/CM/IM
- 42438FA1AEU**
FA/OP/OM/BM/HM
- 42438FA2AEU**
FA/OP/OM/BM/HM
- 42438XX1AEU ***
XX
- 42438XX2AEU ***
XX

* XX: Per tutte le altre finiture fattibili riferirsi a questa fascia di prezzo. / Refer to this line of price for all other realizable finishes.

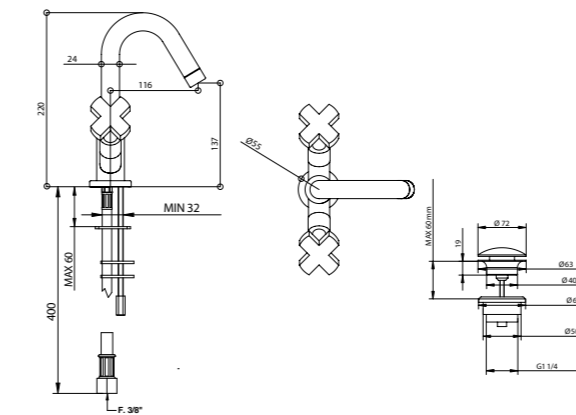
ABBINABILE A / TO MATCH WITH:
Sifone / Siphon - **00067CR00**
Piletta clic-clac / Clic-clac waste - **00079CR00**

FINITURE E COLORI / FINISHES AND COLOURS



42421

Monoforo lavabo con piletta clic-clac. Single hole basin mixer with clic-clac waste.



ARTICOLO COMPLETO / COMPLETE ITEM

42421CR00
CR

42421BU00
BU/NS/BI/NE/ON

42421TT00
TT/CM/IM

42421FA00
FA/OP/BM/OM/HM

42421XX00 *
XX

* XX: Per tutte le altre finiture fattibili riferirsi a questa fascia di prezzo. / Refer to this line of price for all other realizable finishes.

ABBINABILE A / TO MATCH WITH:
Sifone / Siphon - **00067CR00**

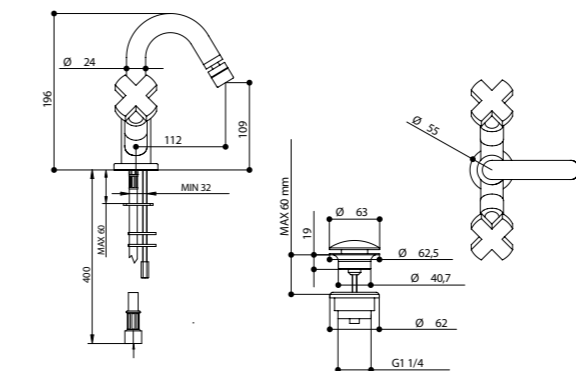
RICAMBI / SPARE PARTS

	9792 *		9791 □
	9999CR		

* Calda / Hot
□ Fredda / Cold

42422

Monoforo bidet con piletta clic-clac. Single hole bidet mixer with clic-clac waste.



ARTICOLO COMPLETO / COMPLETE ITEM

42422CR00
CR

42422BU00
BU/NS/BI/NE/ON

42422TT00
TT/CM/IM

42422FA00
FA/OP/BM/OM/HM

42422XX00 *
XX

* XX: Per tutte le altre finiture fattibili riferirsi a questa fascia di prezzo. / Refer to this line of price for all other realizable finishes.

ABBINABILE A / TO MATCH WITH:
Sifone / Siphon - **00066CR00**

RICAMBI / SPARE PARTS

	9792 *		9791 □
	9980CR		

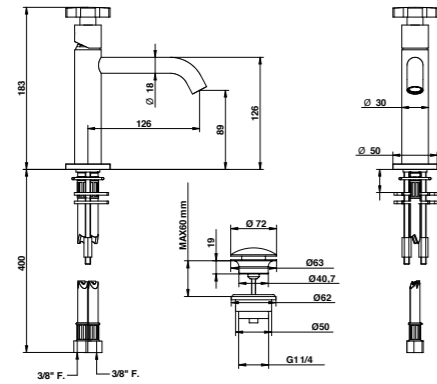
* Calda / Hot
□ Fredda / Cold

ACCESSORI E RICAMBI / ACCESSORIES AND SPARE PARTS



42321 NEW

Miscelatore lavabo con cartuccia tradizionale e piletta clic-clac. Basin mixer with clic-clac waste, traditional cartridge and clic-clac.



ARTICOLO COMPLETO / COMPLETE ITEM

- 42321CR00**
CR
- 42321BU00**
BU/NS/BI/NE/ON
- 42321TT00**
TT/CM/IM
- 42321FA00**
FA/OP/BM/HM/OM
- 42321XX00 ***
XX

* XX: Per tutte le altre finiture fattibili riferirsi a questa fascia di prezzo. / Refer to this line of price for all other realizable finishes.

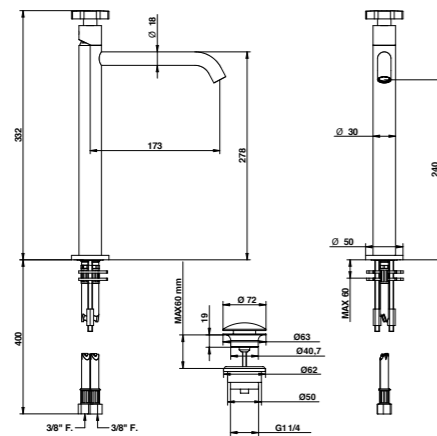
ABBINABILE A / TO MATCH WITH:
Sifone / Siphon - **00067CR00**

RICAMBI / SPARE PARTS

	9870		9392
--	-------------	--	-------------

42332

Miscelatore lavabo alto con bocca lunga, cartuccia tradizionale e piletta clic-clac. High basin mixer with conespout, traditional cartridge and clic-clac waste.



ARTICOLO COMPLETO / COMPLETE ITEM

- 42332CR00**
CR
- 42332BU00**
BU/NS/BI/NE/ON
- 42332TT00**
TT/CM/IM
- 42332FA00**
FA/OP/BM/HM/OM
- 424332XX00 ***
XX

* XX: Per tutte le altre finiture fattibili riferirsi a questa fascia di prezzo. / Refer to this line of price for all other realizable finishes.

ABBINABILE A / TO MATCH WITH:
Sifone / Siphon - **00067CR00**

RICAMBI / SPARE PARTS

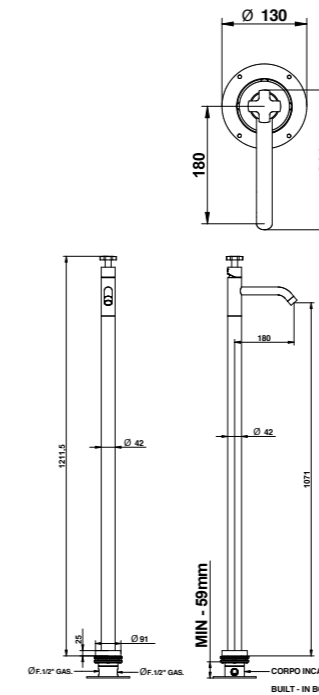
	9870		9392
--	-------------	--	-------------

FINITURE E COLORI / FINISHES AND COLOURS



42533

Miscelatore lavabo a pavimento. Floor basin mixer column



ARTICOLO COMPLETO / COMPLETE ITEM

- 42533CR00**
CR

PARTE INCASSO / BUILT-IN PART **PARTE ESTERNA DA ABBINARE / EXTERNAL MATCHING PART**

FINITURE / FINISHES

- 09744**
- 42533CREU**
CR
- 42533BUEU**
BU/NS/BI/NE/ON
- 42533TTEU**
TT/CM/IM
- 42533FAEU**
FA/OP/BM/HM/OM
- 42533XXEU ***
XX

* XX: Per tutte le altre finiture fattibili riferirsi a questa fascia di prezzo. / Refer to this line of price for all other realizable finishes.

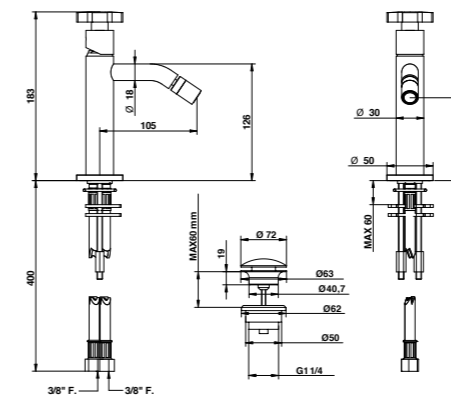
ABBINABILE A / TO MATCH WITH:
Sifone / Siphon - **00067CR00**
Piletta clic-clac / Clic-clac waste - **00079CRPR**

RICAMBI / SPARE PARTS

	9812		9996
--	-------------	--	-------------

42322

Miscelatore bidet con cartuccia tradizionale e piletta clic-clac. Bidet mixer with clic-clac waste.



ARTICOLO COMPLETO / COMPLETE ITEM

- 42322CR00**
CR
- 42322BU00**
BU/NS/BI/NE/ON
- 42322TT00**
TT/CM/IM
- 42322FA00**
FA/OP/BM/HM/OM
- 42322XX00 ***
XX

* XX: Per tutte le altre finiture fattibili riferirsi a questa fascia di prezzo. / Refer to this line of price for all other realizable finishes.

ABBINABILE A / TO MATCH WITH:
Sifone / Siphon - **00066CR00**

RICAMBI / SPARE PARTS

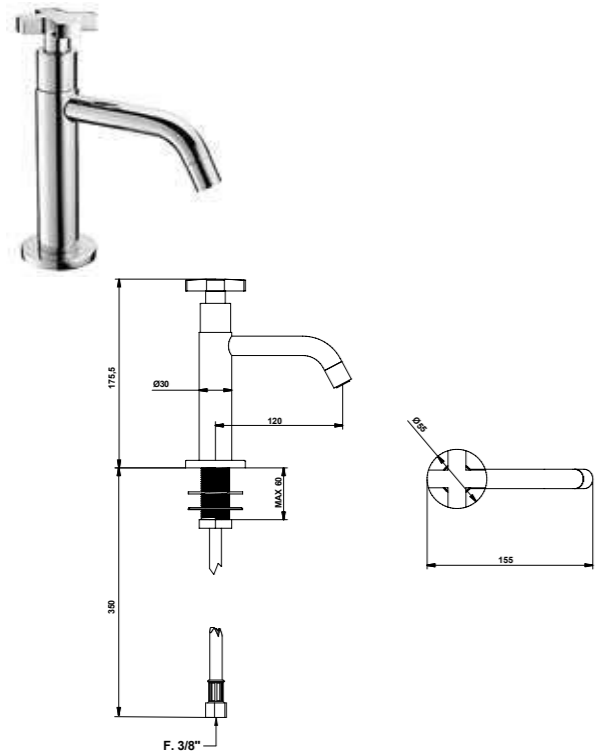
	9870		9393CR
--	-------------	--	---------------

ACCESSORI E RICAMBI / ACCESSORIES AND SPARE PARTS



42499

Rubinetto **monoacqua** senza scarico. **Mono water** tap without waste



ARTICOLO COMPLETO / COMPLETE ITEM

- 42499CR00**
CR
- 42499BU00**
BU/NS/BI/NE/ON
- 42499TT00**
TT/CM/IM
- 42499FA00**
FA/OP/BM/HM/OM
- 42499XX00 ***
XX

* XX: Per tutte le altre finiture fattibili riferirsi a questa fascia di prezzo. / Refer to this line of price for all other realizable finishes.

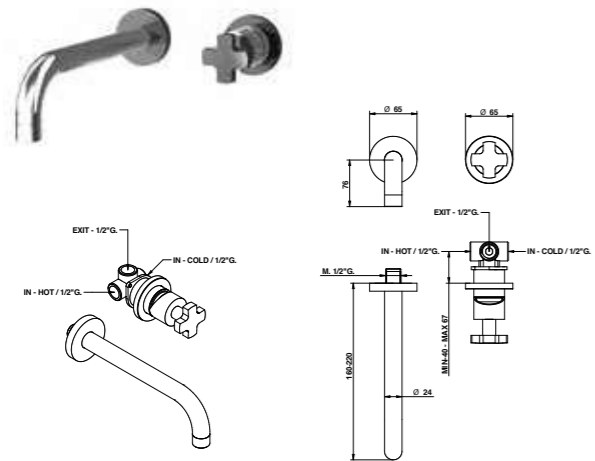
ABBINABILE A / TO MATCH WITH:
Sifone / Siphon - **00067CR00**
Piletta clic-clac / Clic-clac waste - **00079CR00**

RICAMBI / SPARE PARTS

	9792		9988
--	-------------	--	-------------

42338/15-22

Miscelatore lavabo incasso con **bocca** Built-in basin mixer with 160 - 220 mms. spout.



ARTICOLO COMPLETO / COMPLETE ITEM

- 42338CR16**
CR
- 42338CR22**
CR

PARTE INCASSO BUILT-IN PART PARTE ESTERNA DA ABBINARE EXTERNAL MATCHING PART

- | 09761 | FINITURE / FINISHES |
|-------|--------------------------------------|
| | 42338CR16EU
CR |
| | 42338CR22EU
CR |
| | 42338BU16EU
BU/NS/BI/NE/ON |
| | 42338BU22EU
BU/NS/BI/NE/ON |
| | 42338TT16EU
TT/CM/IM |
| | 42338TT22EU
TT/CM/IM |
| | 42338FA16EU
FA/OP/BM/HM/OM |
| | 42338FA22EU
FA/OP/BM/HM/OM |
| | 42338XX16EU *
XX |
| | 42338XX22EU *
XX |

* XX: Per tutte le altre finiture fattibili riferirsi a questa fascia di prezzo. / Refer to this line of price for all other realizable finishes.

ABBINABILE A / TO MATCH WITH:
Sifone / Siphon - **00067CR00**
Piletta clic-clac / Clic-clac waste - **00079CR00**

PROLUNGA / MIXER EXTENSION

	00100CRPRPR
--	--------------------

RICAMBI / SPARE PARTS

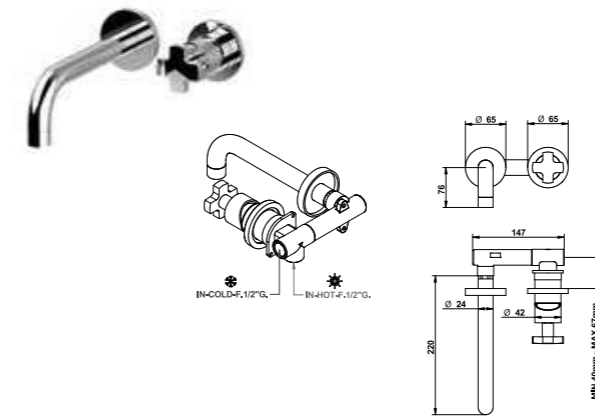
	9813		09999CR
--	-------------	--	----------------

FINITURE E COLORI / FINISHES AND COLOURS



42338/1A-2A

Miscelatore lavabo incasso. Built-in basin mixer with 160 mms and Lunghezza bocche 160 mm e 220 mm. 220 mms. spout.



* XX: Per tutte le altre finiture fattibili riferirsi a questa fascia di prezzo. / Refer to this line of price for all other realizable finishes.

ABBINABILE A / TO MATCH WITH:
Sifone / Siphon - **00067CR00**
Piletta clic-clac / Clic-clac waste - **00079CR00**

PROLUNGA / MIXER EXTENSION

	00100CRPRPR
--	--------------------

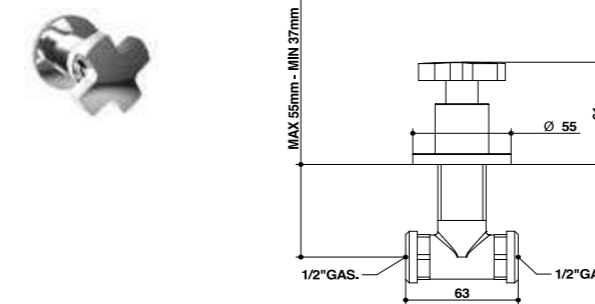
OPTIONAL: Scatola incasso per cartongesso / Built-in box for drywall and cavity wall **09702PBOX**

RICAMBI / SPARE PARTS

	9813		09999CR
--	-------------	--	----------------

42400

Rubinetto incasso 1/2". 1/2" built-in tap.



PROLUNGA / MIXER EXTENSION

	00083CR00
--	------------------

RICAMBI / SPARE PARTS

	9792 *		9792 °
--	---------------	--	---------------

* Calda / Hot
° Fredda / Cold

ARTICOLO COMPLETO / COMPLETE ITEM

- 42338CR1A**
CR
- 42338CR2A**
CR

PARTE INCASSO BUILT-IN PART PARTE ESTERNA DA ABBINARE EXTERNAL MATCHING PART

- | 09690 | FINITURE / FINISHES |
|-------|--------------------------------------|
| | 42338CR1AEU
CR |
| | 42338CR2AEU
CR |
| | 42338BU1AEU
BU/NS/NE/ON/BI |
| | 42338BU2AEU
BU/NS/NE/ON/BI |
| | 42338TT1AEU
TT/CM/IM |
| | 42338TT2AEU
TT/CM/IM |
| | 42338FA1AEU
FA/OP/BM/HM/OM |
| | 42338FA2AEU
FA/OP/BM/HM/OM |
| | 42338XX1AEU *
XX |
| | 42338XX2AEU *
XX |

ARTICOLO COMPLETO / COMPLETE ITEM

- 42400CR00**
CR

PARTE INCASSO BUILT-IN PART PARTE ESTERNA DA ABBINARE EXTERNAL MATCHING PART

- | 09777 | FINITURE / FINISHES |
|-------------------------------|------------------------------------|
| 09777
CALDA / hot | 42400CREU
CR |
| 09777
FREDDA / cold | 42400BUEU
BU/BI/NS/NE/ON |
| | 42400TTEU
TT/CM/IM |
| | 42400FAEU
FA/OP/BM/HM/OM |
| | 42400XXEU *
XX |

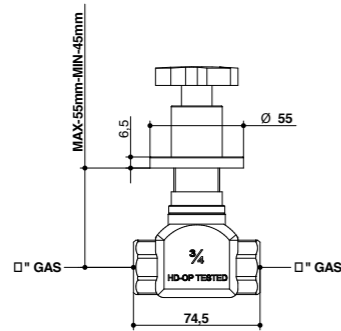
* XX: Per tutte le altre finiture fattibili riferirsi a questa fascia di prezzo. / Refer to this line of price for all other realizable finishes.

ACCESSORI E RICAMBI / ACCESSORIES AND SPARE PARTS



42498

Rubinetto incasso 3/4" vitone tradizionale. 3/4" built-in tap traditional mechanism.



PROLUNGA / MIXER EXTENSION

00083CR00

ARTICOLO COMPLETO / COMPLETE ITEM

42498CR00
CR

PARTE INCASSO BUILT-IN PART	PARTE ESTERNA DA ABBINARE EXTERNAL MATCHING PART
--------------------------------	---

FINITURE / FINISHES

09772 CALDA / hot	42498CREU CR
09772 FREDDA / cold	42498BUEU BU/NS/BI/NE/ ON
	42498TTEU TT/CM/IM
	42498FAEU FA/OP/BM/HM/ OM
	42498XXEU * XX

* XX: Per tutte le altre finiture fattibili riferirsi a questa fascia di prezzo. / Refer to this line of price for all other realizable finishes.

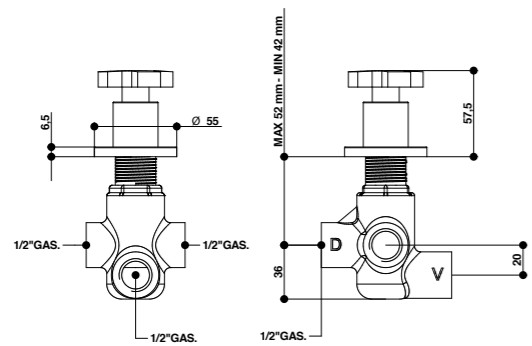
RICAMBI / SPARE PARTS

9804 *	9804 □
--------	--------

* Calda / Hot
□ Fredda / Cold

42425

Deviatore 4 vie (2 entrate 2 uscite). 4 ways built-in diverter (2 in - 2 out).



FINITURE E COLORI / FINISHES AND COLOURS



ARTICOLO COMPLETO / COMPLETE ITEM

42425CR00
CR

PARTE INCASSO BUILT-IN PART	PARTE ESTERNA DA ABBINARE EXTERNAL MATCHING PART
--------------------------------	---

FINITURE / FINISHES

09496	42425CREU CR
	42425BUEU BU/NS/BI/NE/ ON
	42425TTEU TT/CM/IM
	42425FAEU FA/OP/BM/HM/ OM
	42425XXEU * XX

* XX: Per tutte le altre finiture fattibili riferirsi a questa fascia di prezzo. / Refer to this line of price for all other realizable finishes.

PROLUNGA / MIXER EXTENSION

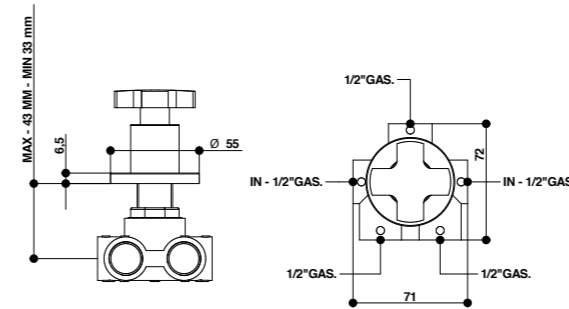
00083CR00

RICAMBI / SPARE PARTS

00112DM

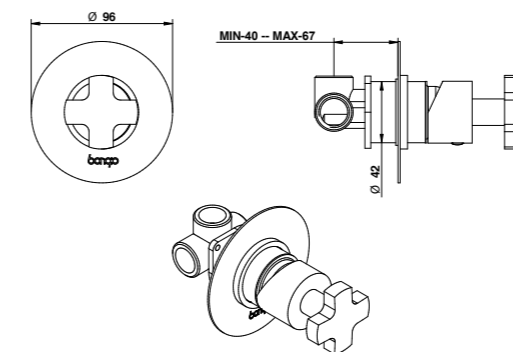
42425/5

Deviatore 5 vie (2 entrate 3 uscite). 5 way built-in diverter (2 in - 3 out).



42324

Miscelatore incasso con cartuccia tradizionale. Built-in mixer.



ACCESSORI E RICAMBI / ACCESSORIES AND SPARE PARTS



ARTICOLO COMPLETO / COMPLETE ITEM

42425CR05
CR

PARTE INCASSO BUILT-IN PART	PARTE ESTERNA DA ABBINARE EXTERNAL MATCHING PART
--------------------------------	---

FINITURE / FINISHES

09495	42425CR05EU CR
	42425BU05EU BU/NS/BI/NE/ ON
	42425TT05EU TT/CM/IM
	42425FA05EU FA/OP/BM/HM/ OM
	42425XX05EU * XX

* XX: Per tutte le altre finiture fattibili riferirsi a questa fascia di prezzo. / Refer to this line of price for all other realizable finishes.

PROLUNGA / MIXER EXTENSION

00083CR00

RICAMBI / SPARE PARTS

00113DM

ARTICOLO COMPLETO / COMPLETE ITEM

42324CR00
CR

PARTE INCASSO BUILT-IN PART	PARTE ESTERNA DA ABBINARE EXTERNAL MATCHING PART
--------------------------------	---

FINITURE / FINISHES

09761	42324CREU CR
	42324BUEU BU/NS/BI/NE/ ON
	42324TTEU TT/CM/IM
	42324FAEU FA/OP/BM/HM/ OM
	42324XXEU * XX

* XX: Per tutte le altre finiture fattibili riferirsi a questa fascia di prezzo. / Refer to this line of price for all other realizable finishes.

PROLUNGA / MIXER EXTENSION

00100CRPRR

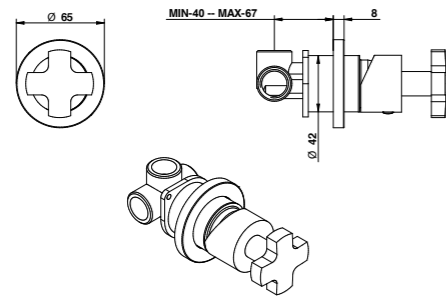
OPTIONAL: Scatola incasso per cartongesso / Built-in box for drywall and cavity wall **09702PBOX**

RICAMBI / SPARE PARTS

9813

42324/RP

Miscelatore incasso con cartuccia tradizionale. Built-in mixer.

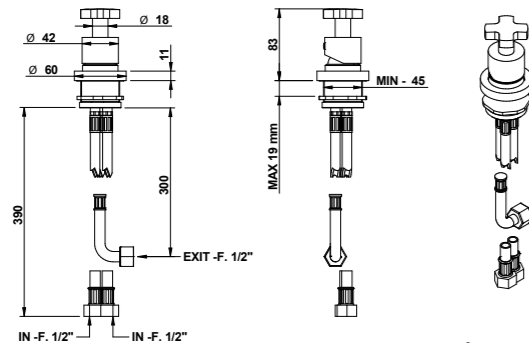


PROLUNGA / MIXER EXTENSION

00100CRPRR

42510

Miscelatore bordo piano. Mixer for deck installation.



ARTICOLO COMPLETO / COMPLETE ITEM

42324CRRP
CR

PARTE INCASSO BUILT-IN PART | **PARTE ESTERNA DA ABBINARE** EXTERNAL MATCHING PART

09761

FINITURE / FINISHES

42324CRPEU
CR

42324BURPEU
BU/NS/BI/ON/
NE

42324TTRPEU
TT/CM/IM

42324FARPEU
FA/OP/BM/HM/
OM

42324XXRPEU *
XX

* XX: Per tutte le altre finiture fattibili riferirsi a questa fascia di prezzo. / Refer to this line of price for all other realizable finishes.

OPTIONAL: Scatola incasso per cartongesso / Built-in box for drywall and cavity wall **09702PBOX**

RICAMBI / SPARE PARTS

9813

ARTICOLO COMPLETO / COMPLETE ITEM

42510CR00
CR

42510NS00
NS/ON/BI/NE

42510TT00
TT/CM/IM

42510FA00
FA/OP/BM/HM/OM

42510XX00 *
XX

* XX: Per tutte le altre finiture fattibili riferirsi a questa fascia di prezzo. / Refer to this line of price for all other realizable finishes.

RICAMBI / SPARE PARTS

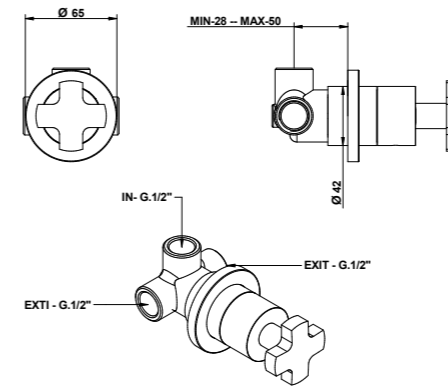
9813

FINITURE E COLORI / FINISHES AND COLOURS



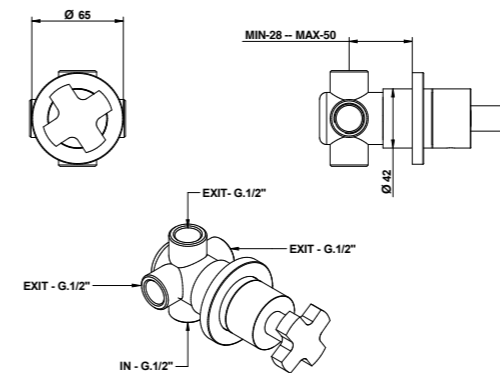
42556 NEW

Deviatore a 2 uscite (1 entrata 2 uscite). 2 exits built-in diverter (1 in 2 out).



42556/3

Deviatore a 3 uscite (1 entrata 3 uscite). 3 exits built-in diverter (1 in 3 out).



ACCESSORI E RICAMBI / ACCESSORIES AND SPARE PARTS



ARTICOLO COMPLETO / COMPLETE ITEM

42556CR00
CR

PARTE INCASSO BUILT-IN PART | **PARTE ESTERNA DA ABBINARE** EXTERNAL MATCHING PART

09491/2

FINITURE / FINISHES

42556CREU
CR

42556BUEU
BU/NS/BI/NE/
ON

42556TTEU
TT/CM/IM

42556FAEU
FA/OP/BM/HM/
OM

42556XXEU *
XX

* XX: Per tutte le altre finiture fattibili riferirsi a questa fascia di prezzo. / Refer to this line of price for all other realizable finishes.

PROLUNGA / MIXER EXTENSION

00109CRPR

RICAMBI / SPARE PARTS

9808/2

ARTICOLO COMPLETO / COMPLETE ITEM

42556CR03
CR

PARTE INCASSO BUILT-IN PART | **PARTE ESTERNA DA ABBINARE** EXTERNAL MATCHING PART

09494

FINITURE / FINISHES

42556CR03EU
CR

42556BU03EU
BU/NS/BI/NE/
ON

42556TT03EU
TT/CM/IM

42556FA03EU
FA/OP/BM/HM/
OM

42556XX03EU *
XX

* XX: Per tutte le altre finiture fattibili riferirsi a questa fascia di prezzo. / Refer to this line of price for all other realizable finishes.

PROLUNGA / MIXER EXTENSION

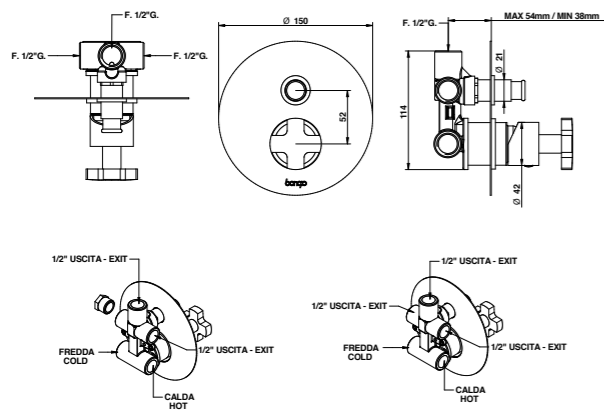
00109CRPR

RICAMBI / SPARE PARTS

9808

42329

Miscelatore incasso con deviatore automatico a 2 uscite e cartuccia tradizionale. Built-in mixer with 2 way automatic diverter.



ARTICOLO COMPLETO / COMPLETE ITEM

42329CR00
CR
Il corpo incasso non può essere anticipato. / Built-in body cannot be delivered separately in advance.
Non disponibile in altre finiture. / Not available in other finishes.

PROLUNGA / MIXER EXTENSION

00102CRPRR

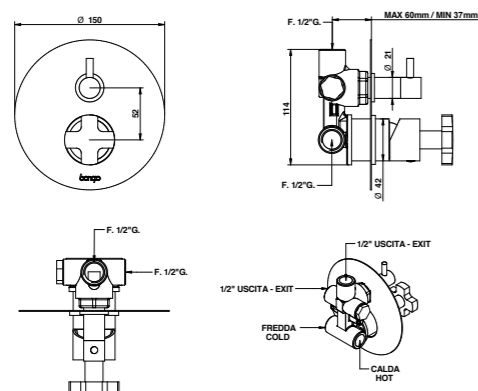
OPTIONAL: Scatola incasso per cartongesso / Built-in box for drywall and cavity wall **09702PBOX**

RICAMBI / SPARE PARTS

9813	00114CRPR
-------------	------------------

42319

Miscelatore incasso con deviatore meccanico a 2 uscite e cartuccia tradizionale. Built-in mixer with 2 way mechanical diverter.



ARTICOLO COMPLETO / COMPLETE ITEM

42319CR00
CR

PARTE INCASSO BUILT-IN PART
PARTE ESTERNA DA ABBINARE EXTERNAL MATCHING PART

09763

FINITURE / FINISHES

42319CREU
CR

42319BUEU
BU/NS/BI/ON/
NE

42319TTEU
TT/CM/IM

42319FAEU
FA/OP/BM/HM/
OM

42319XXEU *
XX

* XX: Per tutte le altre finiture fattibili riferirsi a questa fascia di prezzo. / Refer to this line of price for all other realizable finishes.

PROLUNGA / MIXER EXTENSION

00102CRPRP3

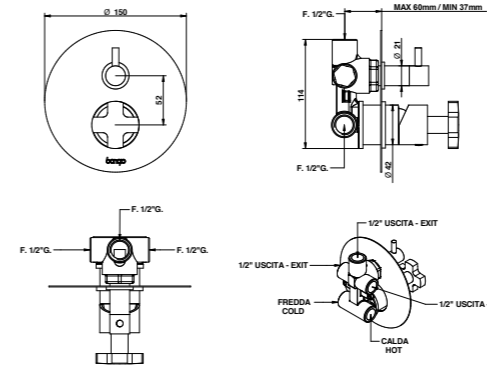
OPTIONAL: Scatola incasso per cartongesso / Built-in box for drywall and cavity wall **09702PBOX**

RICAMBI / SPARE PARTS

9813	9861
-------------	-------------

42319/3

Miscelatore incasso con deviatore meccanico a 3 uscite e cartuccia tradizionale. Built-in mixer with 3 way mechanical diverter.



RICAMBI / SPARE PARTS

9813	9860
-------------	-------------

ARTICOLO COMPLETO / COMPLETE ITEM

42319CR03
CR

PARTE INCASSO BUILT-IN PART
PARTE ESTERNA DA ABBINARE EXTERNAL MATCHING PART

09763/3

FINITURE / FINISHES

42319CR03EU
CR

42319BU03EU
BU/NS/BI/ON/
NE

42319TT03EU
TT/IM/CM

42319FA03EU
FA/OP/BM/HM/
OM

42319XX03EU *
XX

* XX: Per tutte le altre finiture fattibili riferirsi a questa fascia di prezzo. / Refer to this line of price for all other realizable finishes.

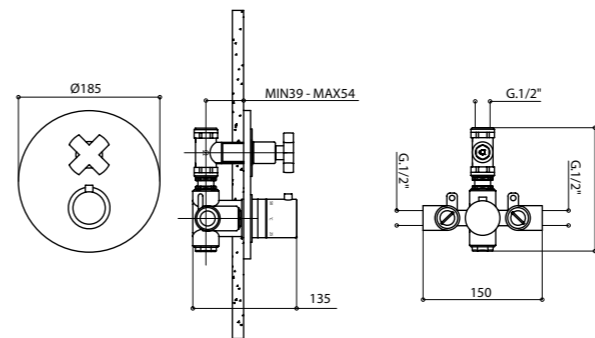
PROLUNGA / MIXER EXTENSION

00102CRPRP3

OPTIONAL: Scatola incasso per cartongesso / Built-in box for drywall and cavity wall **09702PBOX**

42544

Termostatico incasso 1/2". 1/2" built-in thermostatic mixer.



RICAMBI / SPARE PARTS

8900TM *	9788 ◊
-----------------	---------------

* Cartuccia miscelatrice / Mixer cartridge
◊ Cartuccia di apertura-chiusura / Open-close cartridge

ACCESSORI E RICAMBI / ACCESSORIES AND SPARE PARTS

ARTICOLO COMPLETO / COMPLETE ITEM

42544CR00
CR

PARTE INCASSO BUILT-IN PART
PARTE ESTERNA DA ABBINARE EXTERNAL MATCHING PART

09787

FINITURE / FINISHES

42544CREU
CR

42544BUEU *
BU/NS/BI/ON/
NE

42544TTEU *
TT/CM/IM

42544FAEU *
FA/OP/BM/HM/
OM

42544XXEU ◊
XX

* Nelle varianti colore verniciate e satinare alcuni particolari saranno in finitura galvanica per garantire gli standard qualitativi. / To assure our quality standard on colored and satin product, some details remain in galvanic finishes.

◊ XX: Per tutte le altre finiture fattibili riferirsi a questa fascia di prezzo. / Refer to this line of price for all other realizable finishes.

Pressione dinamica minima di utilizzo: 3 bar
Portata a pressione dinamica: 3 bar - 32 l/min - 38° Mix / Minimum dynamic pressure of use: 3 bar
Flow rates at dynamic pressure: 3 bar - 32 l/min - 38° Mix

PROLUNGA / MIXER EXTENSION

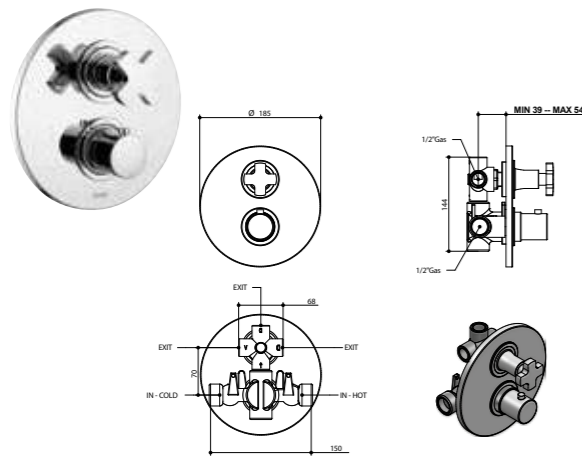
00105CRTCPR

FINITURE E COLORI / FINISHES AND COLOURS



42549

Miscelatore termostatico incasso 1/2" con deviatore a 2 uscite. 1/2" built-in thermostatic mixer with 2 way diverter.



PROLUNGA / MIXER EXTENSION

00105CRTC49PR

RICAMBI / SPARE PARTS

8900TM *	9788/02 ◻
----------	-----------

ARTICOLO COMPLETO / COMPLETE ITEM

42549CR00
CR

PARTE INCASSO BUILT-IN PART	PARTE ESTERNA DA ABBINARE EXTERNAL MATCHING PART
--------------------------------	---

FINITURE / FINISHES

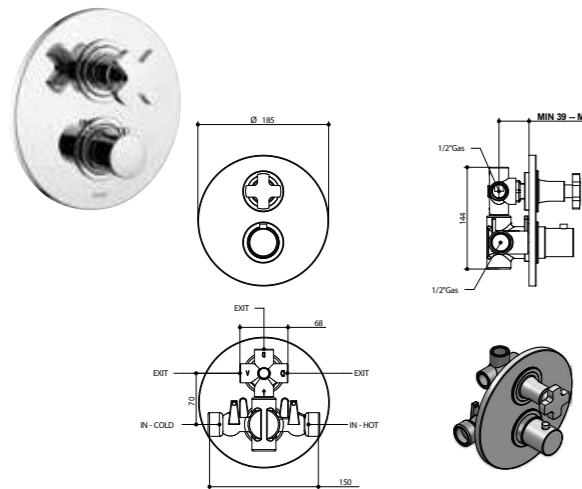
09728	42549CREU CR
	42549BUEU * BU/BI/NS/ON/ NE
	42549TTEU * TT/CM/IM
	42549FAEU * FA/OP/BM/HM/ OM
	42549XXEU ◻ XX

* Nelle varianti colore verniciate e satinare alcuni particolari saranno in finitura galvanica per garantire gli standard qualitativi. / To assure our quality standard on colored and satin product, some details remain in galvanic finishes.
◻ XX: Per tutte le altre finiture fattibili riferirsi a questa fascia di prezzo. / Refer to this line of price for all other realizable finishes.

Pressione dinamica minima di utilizzo: 3 bar
Portata a pressione dinamica: 3 bar - 23 l/min - 38° Mix - 3 bar - 15 l/min - 38° Mix / Minimum dynamic pressure of use: 3 bar
Flow rates at dynamic pressure: 3 bar - 23 l/min - 38° Mix - 3 bar - 15 l/min - 38° Mix

42549/3

Miscelatore termostatico incasso 1/2" con deviatore a 3 uscite. 1/2" built-in thermostatic mixer with 3 way diverter.



RICAMBI / SPARE PARTS

8900TM *	9788/03 ◻
----------	-----------

ARTICOLO COMPLETO / COMPLETE ITEM

42549CR03
CR

PARTE INCASSO BUILT-IN PART	PARTE ESTERNA DA ABBINARE EXTERNAL MATCHING PART
--------------------------------	---

FINITURE / FINISHES

09728/03	42549CR03EU CR
	42549BU03EU * BU/NS/BI/ON/ NE
	42549TT03EU * TT/CM/IM
	42549FA03EU * FA/OP/BM/HM/ OM
	42549XX03EU ◻ XX

* Nelle varianti colore verniciate e satinare alcuni particolari saranno in finitura galvanica per garantire gli standard qualitativi. / To assure our quality standard on colored and satin product, some details remain in galvanic finishes.
◻ XX: Per tutte le altre finiture fattibili riferirsi a questa fascia di prezzo. / Refer to this line of price for all other realizable finishes.

Pressione dinamica minima di utilizzo: 3 bar
Portata a pressione dinamica: 3 bar - 23 l/min - 38° Mix - 3 bar - 15 l/min - 38° Mix / Minimum dynamic pressure of use: 3 bar
Flow rates at dynamic pressure: 3 bar - 23 l/min - 38° Mix - 3 bar - 15 l/min - 38° Mix

RICAMBI / SPARE PARTS

8900TM *	9788/03 ◻
----------	-----------

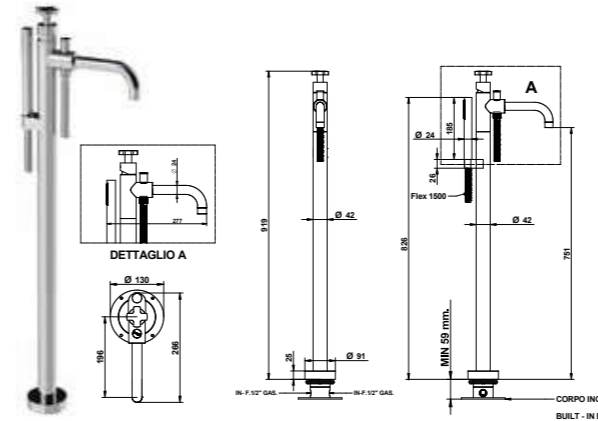
FINITURE E COLORI / FINISHES AND COLOURS



42534/D

Miscelatore vasca a pavimento. Floor mounted bath mixer with shower set and diverter.

Dettaglio flessibili / Flexible details pag. 42



RICAMBI / SPARE PARTS

9812	9996CR
9611CR	00850CR0E
00116CR	00850XX00 *
9600XXPV ◻	

* Ricambio per finiture diverse dal cromo. / Spare part for different finishes.
◻ Per le finiture verniciate e satinare il flessibile verrà fornito in PVC nero. / The flexible hose will be supplied in black PVC for painted and matt finishes.

ARTICOLO COMPLETO / COMPLETE ITEM

42534CR0D
CR

PARTE INCASSO BUILT-IN PART	PARTE ESTERNA DA ABBINARE EXTERNAL MATCHING PART
--------------------------------	---

FINITURE / FINISHES

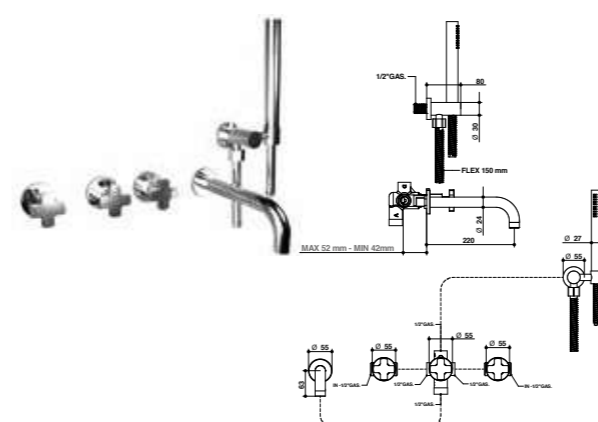
09744	42534CR0DEU CR
	42534BU0DEU * BU/NS/BI/ON/ NE
	42534TT0DEU * TT/CM/IM
	42534FA0DEU * FA/OP/BM/HM/ OM
	42534XX0DEU ◻ XX

* Nelle varianti colore verniciate e satinare alcuni particolari saranno in finitura galvanica per garantire gli standard qualitativi. / To assure our quality standard on colored and satin product, some details remain in galvanic finishes.
◻ XX: Per tutte le altre finiture fattibili riferirsi a questa fascia di prezzo. / Refer to this line of price for all other realizable finishes.

42430/D

Gruppo vasca incasso con set doccia duplex. Built-in bath and shower mixer with duplex shower set.

Dettaglio flessibili / Flexible details pag. 42



RICAMBI / SPARE PARTS

9792 *	9792 ◻
9999CR	09600CR
00850CR0E	00112DM
00850XX00 ◻	9600XXPV ◻

* Calda / Hot
◻ Fredda / Cold
◻ Ricambio per finiture diverse dal cromo. / Spare part for different finishes.
◻ Per le finiture verniciate e satinare il flessibile verrà fornito in PVC nero. / The flexible hose will be supplied in black PVC for painted and matt finishes.

ARTICOLO COMPLETO / COMPLETE ITEM

42430CR0D
CR

PARTE INCASSO BUILT-IN PART	PARTE ESTERNA DA ABBINARE EXTERNAL MATCHING PART
--------------------------------	---

FINITURE / FINISHES

09680	42430CR0DEU CR
	42430BU0DEU BU/NS/BI/NE/ ON
	42430TT0DEU TT/CM/IM
	42430FA0DEU FA/OP/BM/HM/ OM
	42430XX0DEU * XX

* XX: Per tutte le altre finiture fattibili riferirsi a questa fascia di prezzo. / Refer to this line of price for all other realizable finishes.

PROLUNGA / MIXER EXTENSION

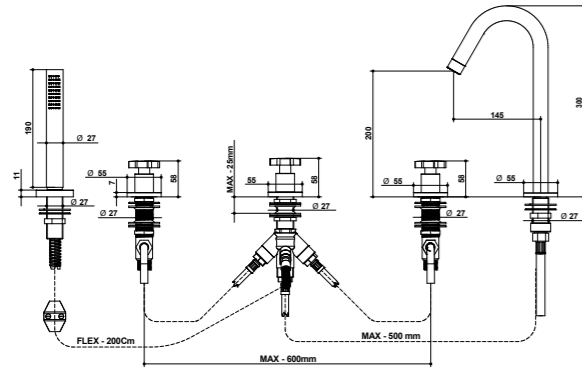
00083CR00
3 pz. per articolo / 3 pcs needed
Cad. / Each

ACCESSORI E RICAMBI / ACCESSORIES AND SPARE PARTS



42431/D

Gruppo bordo vasca cinque fori con set doccia. Five holes deck bath and shower mixer with shower set.



ARTICOLO COMPLETO / COMPLETE ITEM

- 42431CR0D
CR
- 42431BU0D
BU/NS/BI/ON/NE
- 42431TT0D
TT/CM/IM
- 42431FA0D
FA/OP/BM/HM/OM
- 42431XX0D *
XX

* XX: Per tutte le altre finiture fattibili riferirsi a questa fascia di prezzo. / Refer to this line of price for all other realizable finishes.

RICAMBI / SPARE PARTS

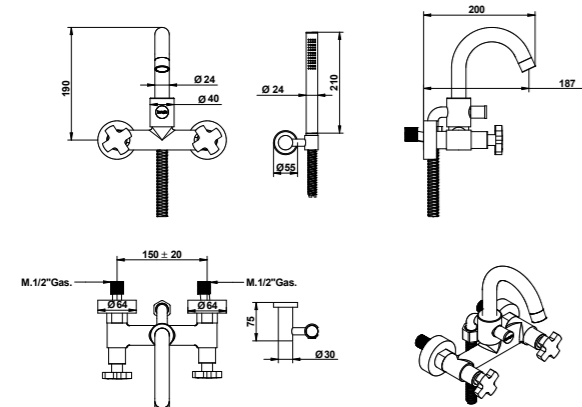
	9792 *		9792 □
	9999CR		9606CR
	00850CR0E		00112VI
	00850XX00 □		

* Calda / Hot
 □ Fredda / Cold
 □ Ricambio per finiture diverse dal cromo. / Spare part for different finishes.

42536/D

Gruppo vasca esterno con set doccia duplex. External bath and shower mixer with duplex shower set.

Dettaglio flessibili / Flexible details pag. 42



ARTICOLO COMPLETO / COMPLETE ITEM

- 42536CR0D
CR
- 42536BU0D *
BU/NS/BI/ON/NE
- 42536TT0D *
TT/CM/IM
- 42536FA0D *
FA/OP/BM/HM/OM
- 42536XX0D □
XX

* Nelle varianti colore verniciate e satinare alcuni particolari saranno in finitura galvanica per garantire gli standard qualitativi. / To assure our quality standard on colored and satin product, some details remain in galvanic finishes.
 □ XX: Per tutte le altre finiture fattibili riferirsi a questa fascia di prezzo. / Refer to this line of price for all other realizable finishes.

RICAMBI / SPARE PARTS

	9792 *		9792 □
	9999CR		09600CR
	00850CR0E		00116CR
	00850XX00 □		9600XXPV □

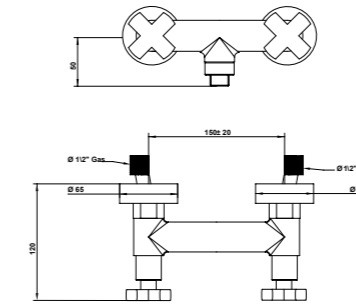
* Calda / Hot
 □ Fredda / Cold
 □ Ricambio per finiture diverse dal cromo. / Spare part for different finishes.
 □ Per le finiture verniciate e satinare il flessibile verrà fornito in PVC nero. / The flexible hose will be supplied in black PVC for painted and matt finishes.

FINITURE E COLORI / FINISHES AND COLOURS



42523

Gruppo doccia esterno. External shower mixer.



ARTICOLO COMPLETO / COMPLETE ITEM

- 42523CR00
CR
- 42523BU00
BU/NS/BI/NE/ON
- 42523TT00
TT/CM/IM
- 42523FA00
FA/OP/BM/HM/OM
- 42523XX00 *
XX

* XX: Per tutte le altre finiture fattibili riferirsi a questa fascia di prezzo. / Refer to this line of price for all other realizable finishes.

ABBINABILE A / TO MATCH WITH:
 Asta saliscendi / Sliding rail - 870

RICAMBI / SPARE PARTS

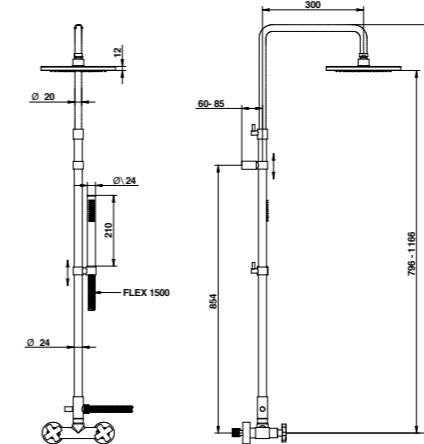
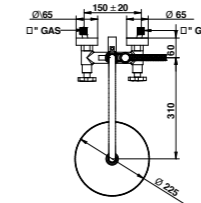
	9792 *		9792 □
--	--------	--	--------

* Calda / Hot
 □ Fredda / Cold

42537/D

Gruppo doccia esterno con tubo, soffione e set doccia. External shower mixer with tube, shower head and shower set.

Dettaglio flessibili / Flexible details pag. 42



ARTICOLO COMPLETO / COMPLETE ITEM

- 42537CR0D
CR
- 42537BU0D *
BU/BI/NS/NE/ON
- 42537TT0D *
TT/FA/CM/IM/OP/BM/HM/OM
- 42537XX0D □
XX

* Nelle varianti colore verniciate e satinare alcuni particolari saranno in finitura galvanica per garantire gli standard qualitativi. / To assure our quality standard on colored and satin product, some details remain in galvanic finishes.
 □ XX: Per tutte le altre finiture fattibili riferirsi a questa fascia di prezzo. / Refer to this line of price for all other realizable finishes.

RICAMBI / SPARE PARTS

	9792 *		9792 □
	9999CR		09600CR
	00850CR0E		00121CR00
	00850XX00 □		9600XXPV □

* Calda / Hot
 □ Fredda / Cold
 □ Ricambio per finiture diverse dal cromo. / Spare part for different finishes.
 □ Per le finiture verniciate e satinare il flessibile verrà fornito in PVC nero. / The flexible hose will be supplied in black PVC for painted and matt finishes.

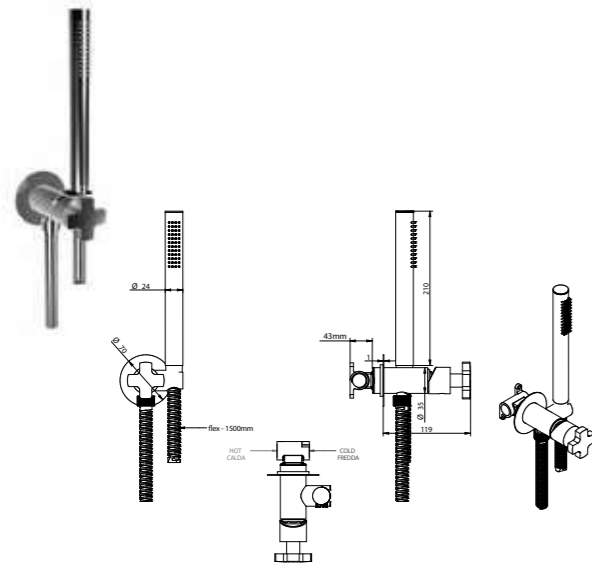
ACCESSORI E RICAMBI / ACCESSORIES AND SPARE PARTS



42915 MISCELATORE INTEGRATO / INTEGRATED MIXER

Set doccia ad incasso con miscelatore tradizionale integrato ad uso doccia, vasca e bidet completo di doccetta.

Duplex shower set with integrated traditional mixer for shower/bathtub and bidet.



*Ricambio per finiture diverse dal cromo. / Spare part for different finishes.
 □ Per le finiture verniciate e satinare il flessibile verrà fornito in PVC nero. / The flexible hose will be supplied in black PVC for painted and matt finishes.

ARTICOLO COMPLETO / COMPLETE ITEM

42915CR00
CR

PARTE INCASSO BUILT-IN PART	PARTE ESTERNA DA ABBINARE EXTERNAL MATCHING PART
--------------------------------	---

09490/CT

FINITURE / FINISHES

42915CREU
CR

42915BUEU
BU/NS/BI/NE/
ON

42915TTEU
TT/CM/IM

42915FAEU
FA/OP/BM/HM/
OM

42915XXEU *
XX

* XX: Per tutte le altre finiture fattibili riferirsi a questa fascia di prezzo. / Refer to this line of price for all other realizable finishes.

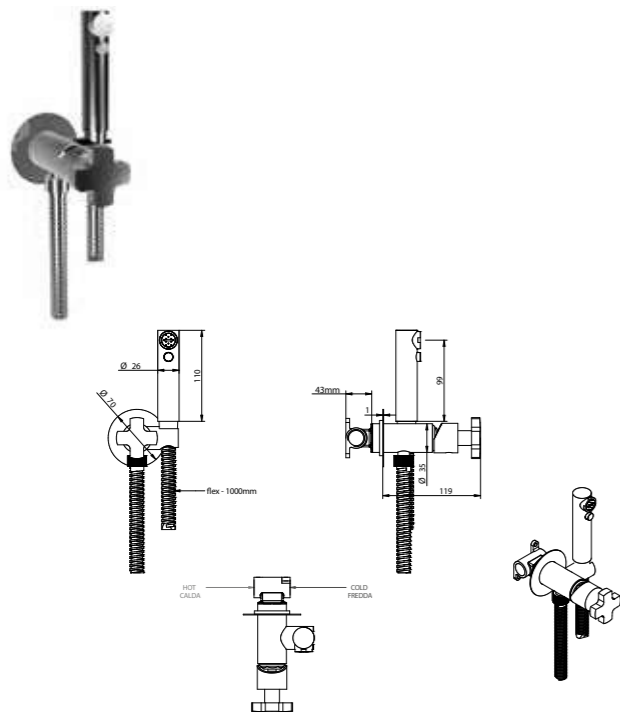
RICAMBI / SPARE PARTS

9820/32	09610CR
00850CR00	00850XX00 *
9600XXPV □	

42916 MISCELATORE INTEGRATO / INTEGRATED MIXER

Set doccia bidet per wc ad incasso con miscelatore tradizionale integrato e doccetta.

Shattaf shower set for wc with integrated traditional mixer and handshower.



ARTICOLO COMPLETO / COMPLETE ITEM

42916CR00
CR

PARTE INCASSO BUILT-IN PART	PARTE ESTERNA DA ABBINARE EXTERNAL MATCHING PART
--------------------------------	---

09490/CT

FINITURE / FINISHES

42916CREU
CR

42916BUEU *
BU/NS/BI/NE/
ON

42916TTEU *
TT/CM/IM

42916FAEU *
FA/OP/BM/HM/
OM

42916XXEU □
XX

* Nelle varianti colore verniciate e satinare alcuni particolari saranno in finitura galvanica per garantire gli standard qualitativi. / To assure our quality standard on colored and satin product, some details remain in galvanic finishes.

□ XX: Per tutte le altre finiture fattibili riferirsi a questa fascia di prezzo. / Refer to this line of price for all other realizable finishes.

RICAMBI / SPARE PARTS

9820/32	09610CR
00904CRDO	

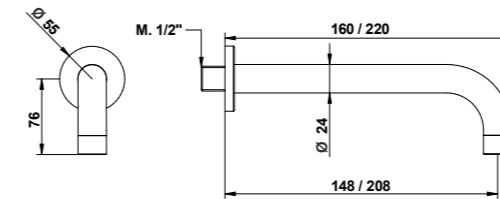
FINITURE E COLORI / FINISHES AND COLOURS



986/16-22

Bocca incasso Ø 24 mm, 160-220 mm lunghezza, 1/2M.

Built-in spout, 24 mms. Ø, 1/2M, 160-220 mms. long.



ARTICOLO COMPLETO / COMPLETE ITEM

00986CR16
CR

00986CR22
CR

00986BU16
BU/NS/BI/NE/ON

00986BU22
BU/NS/BI/NE/ON

00986FA16
FA/OP/BM/HM/OM

00986FAP22
FA/OP/BM/HM/OM

00986TT16
TT/CM/IM

00986TT22
TT/CM/IM

00986XX16 *
XX

00986XX22 *
XX

* XX: Per tutte le altre finiture fattibili riferirsi a questa fascia di prezzo. / Refer to this line of price for all other realizable finishes.

OPTIONAL: Rosone standard. / Flange standard. **00253CR00**
 OPTIONAL: Rosone Ø 80 mm. / Flange Ø 80 mms. **00253CR80**

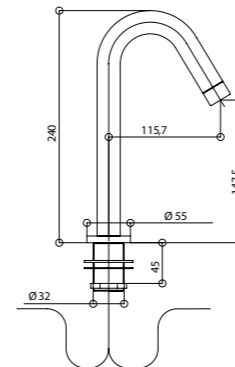
RICAMBI / SPARE PARTS

9999CR

42800

Bocca lavabo.

Basin spout.



ARTICOLO COMPLETO / COMPLETE ITEM

42800CR00
CR

42800NS00
NS/NE/BI

42800OP00
OP

42800XX00 *
XX

* XX: Per tutte le altre finiture fattibili riferirsi a questa fascia di prezzo. / Refer to this line of price for all other realizable finishes.

RICAMBI / SPARE PARTS

9999CR

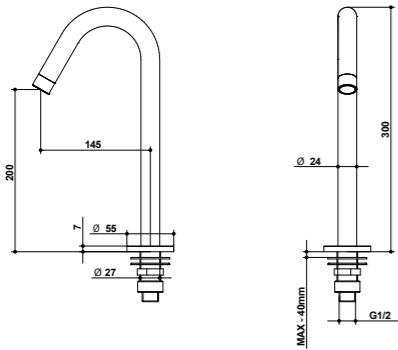
ACCESSORI E RICAMBI / ACCESSORIES AND SPARE PARTS



983 NEW

Bocca bordo vasca.

Bath spout.



ARTICOLO COMPLETO / COMPLETE ITEM

00983CR00
CR

00983NS00
NS/NE/BI

00983OP00
OP/TT/FA

00983XX00 *
XX

* XX: Per tutte le altre finiture fattibili riferirsi a questa fascia di prezzo. / Refer to this line of price for all other realizable finishes.

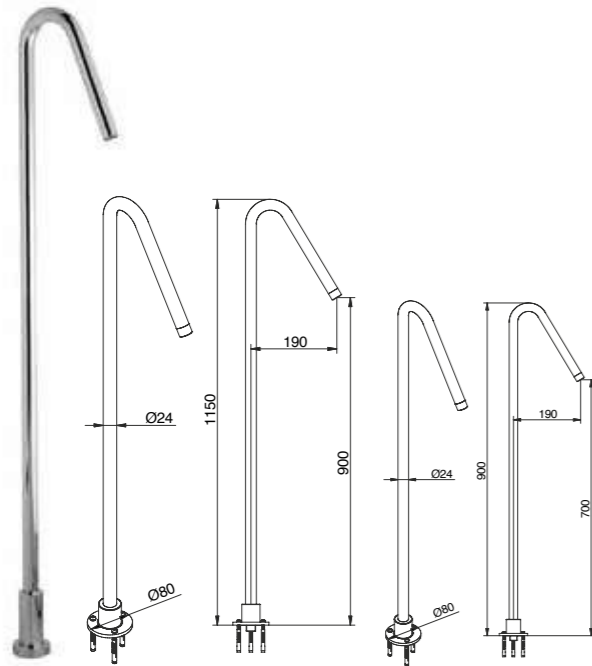
RICAMBI / SPARE PARTS

 **9999CR**

985/70-90

Bocca lavabo a pavimento 985/90.
Bocca vasca a pavimento 985/70.

Floor mounted basin spout 985/90.
Floor mounted bath spout 985/70.



ARTICOLO COMPLETO / COMPLETE ITEM

00985CR70
CR

00985CR90
CR

00985NE70
NE/BI/NS/ON

00985NE90
NE/BI/NS/ON

00985BM70
BM

00985BM90
BM

00985IM70
IM

00985IM90
IM

00985HM70
HM/OM/FA/CM/TT/OP

00985HM90
HM/OM/FA/CM/TT/OP

Non disponibile nella finitura BU / Not available BU

RICAMBI / SPARE PARTS

 **9999CR**

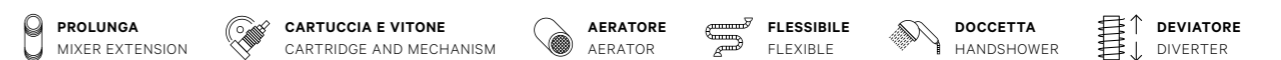


Art. 42401CR00

FINITURE E COLORI / FINISHES AND COLOURS



ACCESSORI E RICAMBI / ACCESSORIES AND SPARE PARTS



PROJECT

COLLECTIONS

PAG. 452

GIO2 *New*

PAG. 478

T MIX18

PAG. 496

O'CLOCK

PAG. 518

T.UBE

PAG. 540

ON

PAG. 570

LINE

PAG. 596

T MIX / T LEVA LATERALE / T SQUARE

PAG. 622

REEF

PAG. 636

PI7



GIO²

bongio

DESIGN CENTER DIRECTED BY
ANTONIO BONGIO



RENEWED
SEVENTIES
ATTITUDE

ATTITUDINE CONTEMPORANEA

Contemporary attitude

L'inconfondibile personalità degli Anni '70 rivisitata in ambienti dall'appeal contemporaneo. Un design prezioso che esplora accostamenti eclettici tra materiali e colori storici ma sempre attuali, valorizzando il potenziale di ogni ambiente grazie alle eleganti finiture della collezione Gio2.

The unmistakable personality of the '70s revisited in environments with contemporary appeal. A precious design that explores eclectic combinations of historical but always up-to-date materials and colours, enhancing the potential of any environment thanks to the elegant finishes of the Gio2 collection.



1. Art. 80520HMPR.
2. Art. 80538HMPR.
3. Art. 80522NEPR.

LAVABO / WASHBASIN
Art. 80520CMR

VASCA / BATHTUB
Art. 80550CMDPR

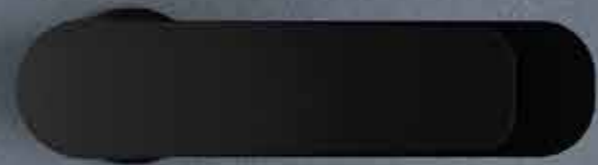
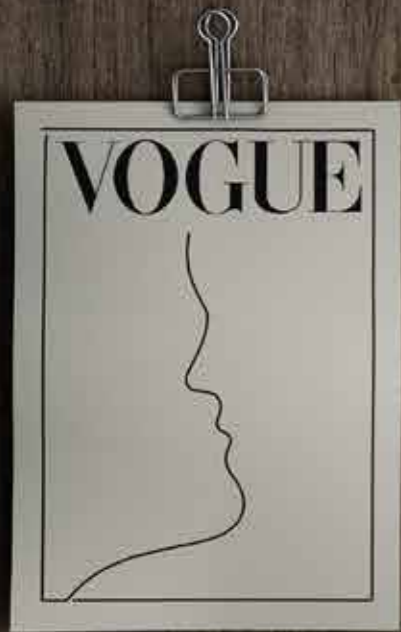
DOCCIA / SHOWER
Art. 80524CMRPPR

BIDET / BIDET
Art. 80522CMR





LAVABO / WASHBASIN
Art. 80520HMPR



LAVABO / WASHBASIN
Art. 80521HMPR
Art. 80521NEPR
Art. 80521CMPR

Art. 80520NEPR
Art. 80520CMPR





LAVABO / WASHBASIN
Art. 80538NEPR

VASCA / BATHTUB
Art. 80550CMADPR



#ECLECTICGIO2





LAVABO / WASHBASIN
Art. 80538NEPR

DOCCIA / SHOWER
Art. 80524NEPR
Art. 00889NER1



INFORMAZIONI TECNICHE

Technical details

Disponibile anche in ottone CW510 con quantitativo inferiore allo 0,2% di piombo
Available also in CW510 brass with a quantity of less than 0.2% lead



CARTUCCIA: La serie Gio2 è dotata di diverse tipologie di cartucce: cartuccia ø 25 mm e cartuccia ø 35 mm senza distributore. La temperatura d'impianto non deve superare i 70°C. La pressione di esercizio dell'impianto consigliata è di 3 bar.

EROGAZIONE: La serie Gio2 ha un tipo di erogazione morbida. Disponibile aeratore con portata 6 l/m su richiesta per progetti.

SISTEMI DI DEVIAZIONE: I deviatori Bongio sono testati per funzionare da un minimo di 0,5 bar pressione.

INSTALLAZIONE: Tutti gli articoli ad incasso Bongio completi sono forniti di relative parti incasso.

Gli articoli doccia e vasca esterni hanno un interasse di 15±20 mm.

Per gli articoli lavabo e bidet, monoforo e tre fori, da installarsi su piano, devono essere realizzati fori ø 35 mm massimo.

*** NOTA 100% BRASS CW510: la serie Gio2 è realizzata anche in ottone CW510 con quantitativo inferiore allo 0,2% di piombo.**

CARTRIDGE: Gio2 series uses different kind of cartridges: ø 25 mms and ø 35 mms without distributor.

The temperature of the plant must not exceed 70°. The ideal working pressure of the plant is 3 bar.

SUPPLY: Gio2 series has a soft supply. Available aerator with flow rate 6/l on request for project.

DIVERTING SYSTEMS: Bongio diverters have been tested to work properly starting from a minimum 0,5 bar pressure

INSTALLATION: All the built-in Bongio items are available with universal raw built-in body.

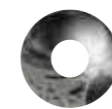
All the external shower and bath mixers have the 15±20 mms interaxe.

For the basin and bidet mixers - single or three holes - to be place on top deck, they require ø 35 mms maximum holes.

*** NOTE 100% BRASS CW510: Gio2 series is also made of CW510 brass with a quantity of less than 0.2% lead.**

FINITURE E COLORI / FINISHES AND COLOURS

DETTAGLI / MORE INFO PAG. 38



CR
Cromo
Chrome



NE
Nero Opaco
Matt Black
(RAL 9005)



CM
Cromo Satinato
Matt Chrome



NS
Nichel Spazzolato
Brushed Nickel



OR
Oro 24kt
24kt Gold



OP
Oro Spazzolato 24kt
24kt Brushed Gold



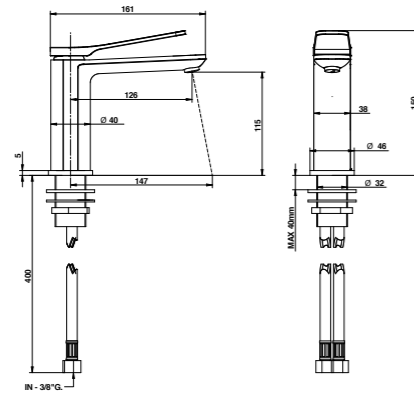
HM
Oro Francese Satinato
Matt French Gold

LAVABO / WASHBASIN
Art. 80538CM2APR
Art. 80521CRPR
Art. 80520NEPR

Disponibile anche in ottone CW510
con quantitativo inferiore allo 0,2% di piombo
Available also in CW510 brass
with a quantity of less than 0.2% lead

80721/PR SENZA PILETTA / WITHOUT WASTE

Miscelatore lavabo senza piletta clic-clac. Basin mixer without clic-clac waste.


ARTICOLO COMPLETO / COMPLETE ITEM

80721CRPR
CR

80721NEPR
NE

80721CMPR
CM/NS

80721HMPR
HM

80721ORPR
OR/OP

Non disponibile in altre finiture. / Not available in other finishes.

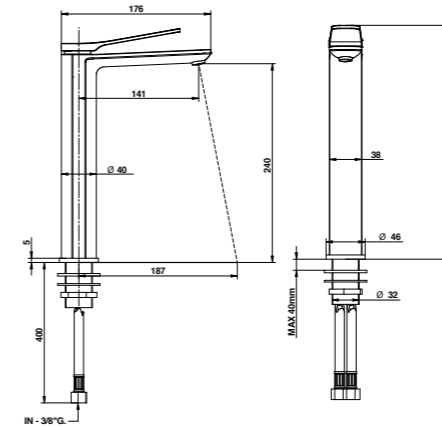
ABBINABILE A / TO MATCH WITH:
Sifone / Siphon - **00067CR00**
Piletta clic-clac / Clic-clac waste - **00079CRPR**

RICAMBI / SPARE PARTS

	9853		9377
--	------	--	------

80720/PR SENZA PILETTA / WITHOUT WASTE

Miscelatore lavabo alto senza piletta clic-clac. High basin mixer without clic-clac waste.


ARTICOLO COMPLETO / COMPLETE ITEM

80720CRPR
CR

80720NEPR
NE

80720CMPR
CM/NS

80720HMPR
HM

80720ORPR
OR/OP

Non disponibile in altre finiture. / Not available in other finishes.

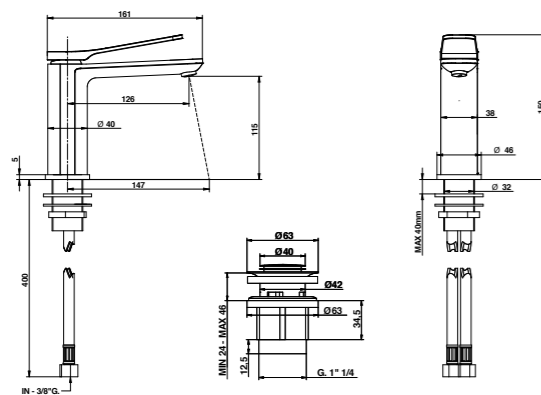
ABBINABILE A / TO MATCH WITH:
Sifone / Siphon - **00067CR00**
Piletta clic-clac acciaio / Stainless steel clic-clac waste - **00079CRPR**

RICAMBI / SPARE PARTS

	9853		9377
--	------	--	------

80521/PR CON PILETTA / WITH WASTE

Miscelatore lavabo con piletta in ottone clic-clac. Basin mixer with clic-clac waste.


ARTICOLO COMPLETO / COMPLETE ITEM

80521CRPR
CR

80521NEPR
NE

80521CMPR
CM/NS

80521HMPR
HM

80521ORPR
OR/OP

Non disponibile in altre finiture. / Not available in other finishes.

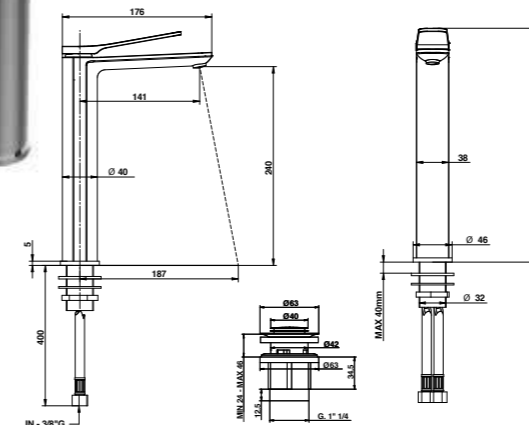
ABBINABILE A / TO MATCH WITH:
Sifone / Siphon - **00067CR00**

RICAMBI / SPARE PARTS

	9853		9377
--	------	--	------

80520/PR CON PILETTA / WITH WASTE

Miscelatore lavabo alto con piletta clic-clac in ottone. High basin mixer with clic-clac waste.


ARTICOLO COMPLETO / COMPLETE ITEM

80520CRPR
CR

80520NEPR
NE

80520CMPR
CM/NS

80520HMPR
HM

80520ORPR
OR/OP

Non disponibile in altre finiture. / Not available in other finishes.

ABBINABILE A / TO MATCH WITH:
Sifone / Siphon - **00067CR00**

RICAMBI / SPARE PARTS

	9853		9377
--	------	--	------

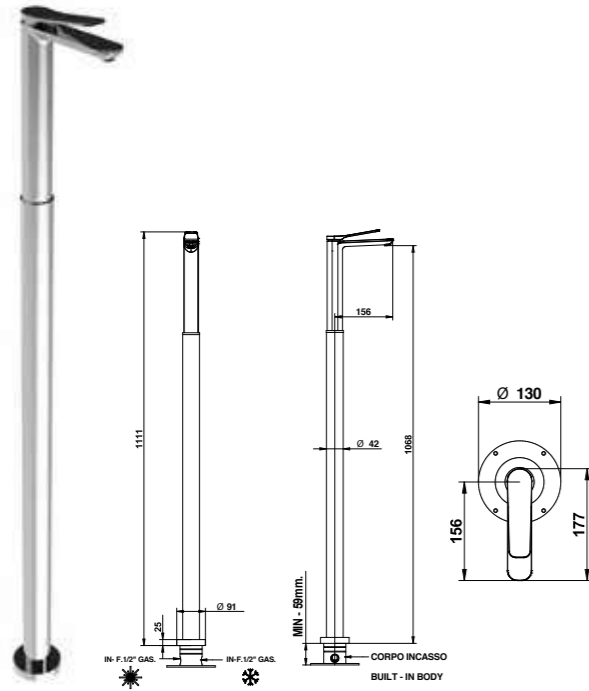
FINITURE E COLORI / FINISHES AND COLOURS

ACCESSORI E RICAMBI / ACCESSORIES AND SPARE PARTS


Disponibile anche in ottone CW510 con quantitativo inferiore allo 0,2% di piombo
Available also in CW510 brass with a quantity of less than 0.2% lead

80533/PR

Miscelatore lavabo a pavimento Floor mounted basin mixer.

**ARTICOLO COMPLETO / COMPLETE ITEM**

80533CRPR
CR

PARTE INCASSO BUILT-IN PART
PARTE ESTERNA DA ABBINARE EXTERNAL MATCHING PART

FINITURE / FINISHES

9744

80533CRPREU
CR

80533NEPREU
NE

80533CMPREU
CM/NS

80533HMPREU
HM

80533ORPREU
OR/OP

Non disponibile in altre finiture. / Not available in other finishes.

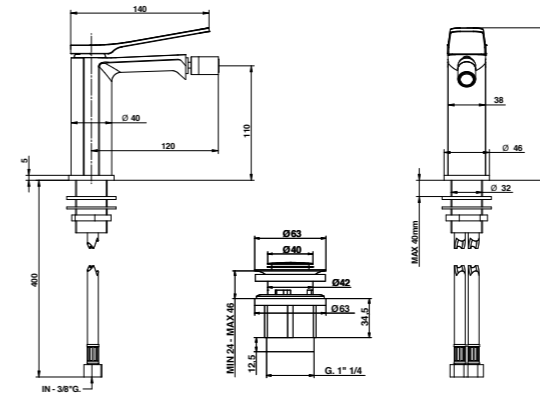
ABBINABILE A / TO MATCH WITH:
Sifone / Siphon - **00067CR00**
Piletta clic-clac / Clic-clac waste - **00079CRPR**

RICAMBI / SPARE PARTS

	9853		9377
--	------	--	------

80522/PR CON PILETTA / WITH WASTE

Miscelatore bidet con piletta clic-clac in ottone. Bidet mixer with clic-clac waste.

**ARTICOLO COMPLETO / COMPLETE ITEM**

80522CRPR
CR

80522NEPR
NE

80522CMPR
CM/NS

80522HMPR
HM

80522ORPR
OR/OP

Non disponibile in altre finiture. / Not available in other finishes.

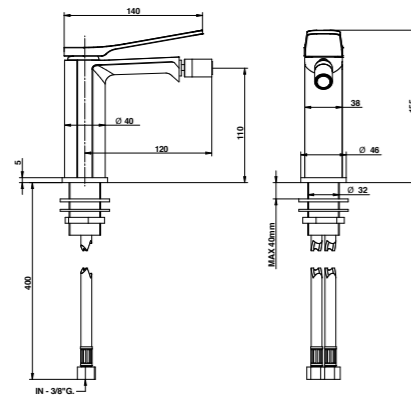
ABBINABILE A / TO MATCH WITH:
Sifone / Siphon - **00066CR00**

RICAMBI / SPARE PARTS

	9853		9977CR
--	------	--	--------

80722/PR SENZA PILETTA / WITHOUT WASTE

Miscelatore bidet senza piletta clic-clac. Bidet mixer without clic-clac waste.

**ARTICOLO COMPLETO / COMPLETE ITEM**

80722CRPR
CR

80722NEPR
NE

80722CMPR
CM/NS

80722HMPR
HM

80722ORPR
OR/OP

Non disponibile in altre finiture. / Not available in other finishes.

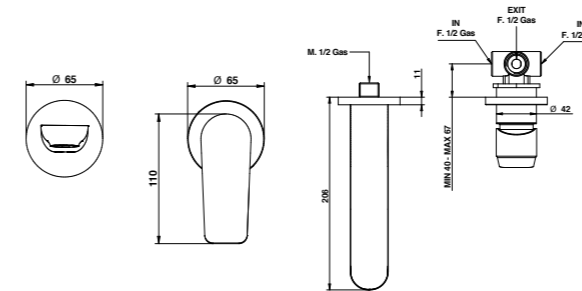
ABBINABILE A / TO MATCH WITH:
Sifone / Siphon - **00066CR00**
Piletta clic-clac / Clic-clac waste - **00079CRPR**

RICAMBI / SPARE PARTS

	9853		9977CR
--	------	--	--------

80538/PR

Miscelatore lavabo incasso con bocca Built-in basin mixer with 206 mms. 206 mm. spout.

**ARTICOLO COMPLETO / COMPLETE ITEM**

80538CRPR
CR

PARTE INCASSO BUILT-IN PART
PARTE ESTERNA DA ABBINARE EXTERNAL MATCHING PART

FINITURE / FINISHES

9761

80538CRPREU
CR

80538NEPREU
NE

80538CMPREU
CM/NS

80538HMPREU
HM

80538ORPREU
OR/OP

Non disponibile in altre finiture. / Not available in other finishes.

ABBINABILE A / TO MATCH WITH:
Sifone / Siphon - **00067CR00**
Piletta clic-clac / Clic-clac waste - **00079CRPR**

PROLUNGA / MIXER EXTENSION

	00100CRPRPR
--	-------------

RICAMBI / SPARE PARTS

	9813		9378
--	------	--	------

FINITURE E COLORI / FINISHES AND COLOURS**ACCESSORI E RICAMBI / ACCESSORIES AND SPARE PARTS**

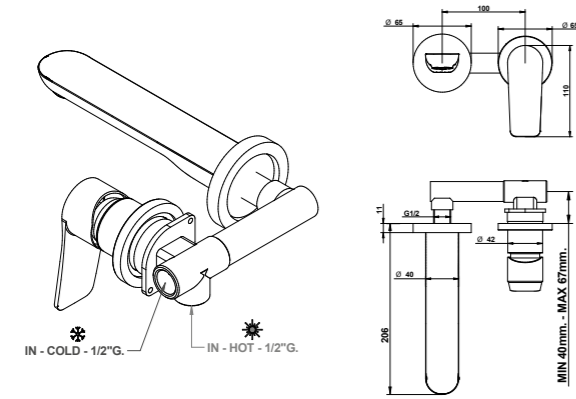
Disponibile anche in ottone CW510 con quantitativo inferiore allo 0,2% di piombo
Available also in CW510 brass with a quantity of less than 0.2% lead



80538/2APR

Miscelatore lavabo incasso con bocca 206 mm completo di connessioni incasso.

Built-in basin mixer with 206 mms. spout complete with built-in connection.



ARTICOLO COMPLETO / COMPLETE ITEM

80538CR2APR
CR

PARTE INCASSO BUILT-IN PART	PARTE ESTERNA DA ABBINARE EXTERNAL MATCHING PART
--------------------------------	---

FINITURE / FINISHES

09690

80538CR2APREU
CR

80538NE2APREU
NE

80538CM2APREU
CM/NS

80538HM2APREU
HM

80538OR2APREU
OR/OP

Non disponibile in altre finiture. / Not available in other finishes.

PROLUNGA / MIXER EXTENSION

00100CRPRR

OPTIONAL: Scatola incasso per cartongesso / Built-in box for drywall and cavity wall **09702PBOX**

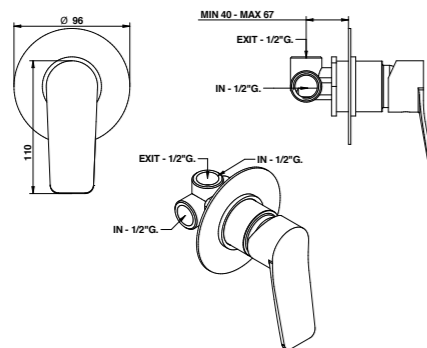
RICAMBI / SPARE PARTS

9813 **9378**

80524/PR

Miscelatore doccia incasso

Built-in shower mixer



ARTICOLO COMPLETO / COMPLETE ITEM

80524CRPR
CR

PARTE INCASSO BUILT-IN PART	PARTE ESTERNA DA ABBINARE EXTERNAL MATCHING PART
--------------------------------	---

FINITURE / FINISHES

9761

80524CRPREU
CR

80524NEPREU
NE

80524CMPREU
CM/NS

80524HMPREU
HM

80524ORPREU
OR/OP

Non disponibile in altre finiture. / Not available in other finishes.

PROLUNGA / MIXER EXTENSION

00100CRPRR

OPTIONAL: Scatola incasso per cartongesso / Built-in box for drywall and cavity wall **09702PBOX**

RICAMBI / SPARE PARTS

9813

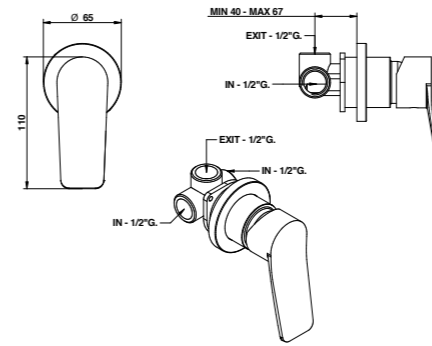
FINITURE E COLORI / FINISHES AND COLOURS



80524/RPPR

Miscelatore doccia incasso

Built-in shower mixer



ARTICOLO COMPLETO / COMPLETE ITEM

80524CRRPPR
CR

PARTE INCASSO BUILT-IN PART	PARTE ESTERNA DA ABBINARE EXTERNAL MATCHING PART
--------------------------------	---

FINITURE / FINISHES

09761

80524CRRPPREU
CR

80524NERPPREU
NE

80524CMRPPREU
CM/NS

80524HMRPPREU
HM

80524ORRPPREU
OR/OP

Non disponibile in altre finiture. / Not available in other finishes.

PROLUNGA / MIXER EXTENSION

00100CRPRR

OPTIONAL: Scatola incasso per cartongesso / Built-in box for drywall and cavity wall **09702PBOX**

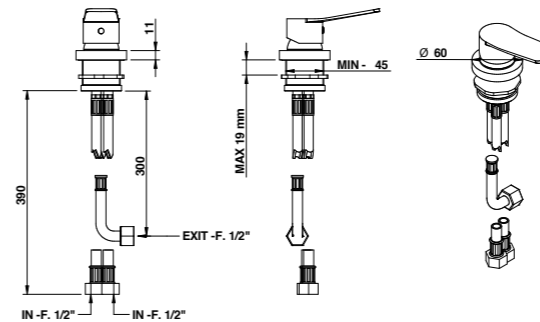
RICAMBI / SPARE PARTS

9813

80510/PR

Miscelatore bordo piano.

Mixer for deck installation.



ARTICOLO COMPLETO / COMPLETE ITEM

80510CRPR
CR

80510NEPR
NE

80510CMPR
CM/NS

80510HMPR
HM

80510ORPR
OR/OP

Non disponibile in altre finiture. / Not available in other finishes.

RICAMBI / SPARE PARTS

9813

ACCESSORI E RICAMBI / ACCESSORIES AND SPARE PARTS

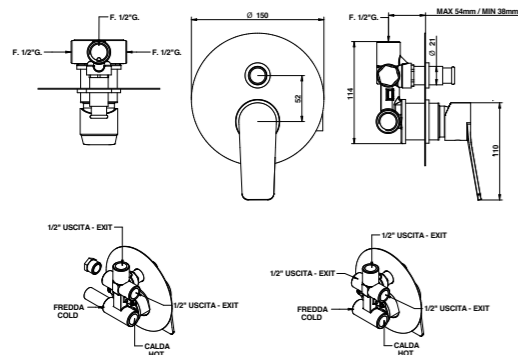


Disponibile anche in ottone CW510 con quantitativo inferiore allo 0,2% di piombo
Available also in CW510 brass with a quantity of less than 0.2% lead

80529/PR NEW

Miscelatore doccia incasso con deviatore automatico a 2 uscite

Built-in shower mixer with 2 exit automatic diverter


ARTICOLO COMPLETO / COMPLETE ITEM

80529CRPR
CR

Non disponibile in altre finiture. / Not available in other finishes.

Il corpo incasso non può essere anticipato. / Built-in body cannot be delivered separately in advance.

PROLUNGA / MIXER EXTENSION

00102CRPRR

OPTIONAL: Scatola incasso per cartongesso / Built-in box for drywall and cavity wall **09702PBOX**

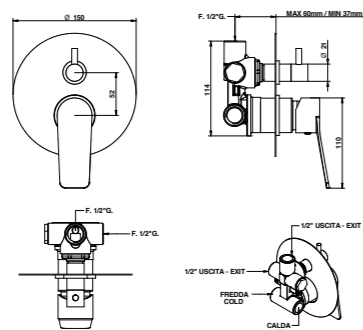
RICAMBI / SPARE PARTS

9813 **00114CRPR**

80519/PR

Miscelatore incasso doccia con deviatore meccanico a 2 uscite

Built-in shower mixer with 2 exit mechanical diverter


ARTICOLO COMPLETO / COMPLETE ITEM

80519CRPR
CR

PARTE INCASSO / BUILT-IN PART
PARTE ESTERNA DA ABBINARE / EXTERNAL MATCHING PART

FINITURE / FINISHES

9763

80519CRPREU
CR

80519NEPREU
NE

80519CMPREU
CM/NS

80519HMPREU
HM

80519ORPREU
OR/OP

Non disponibile in altre finiture. / Not available in other finishes.

PROLUNGA / MIXER EXTENSION

00102CRPRP3

OPTIONAL: Scatola incasso per cartongesso / Built-in box for drywall and cavity wall **09702PBOX**

RICAMBI / SPARE PARTS

9813 **9861**

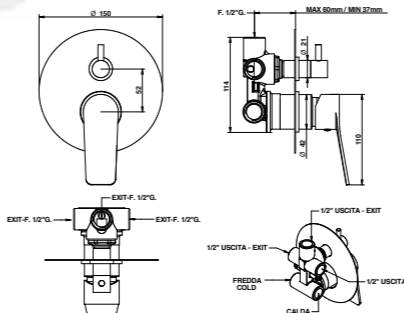
Disponibili in abbinamento miscelatori termostatici ad incasso / Available combined with built-in thermostatic mixers:
art. 68549/PR pag. 562 - art. 68569/PR pag. 563 - art. 68569/3PR pag. 564

FINITURE E COLORI / FINISHES AND COLOURS

80519/3PR

Miscelatore incasso con deviatore meccanico a 3 uscite.

Built-in mixer with 3 way mechanical diverter.


ARTICOLO COMPLETO / COMPLETE ITEM

80519CR03PR
CR

PARTE INCASSO / BUILT-IN PART
PARTE ESTERNA DA ABBINARE / EXTERNAL MATCHING PART

FINITURE / FINISHES

9763/3

80519CR03PREU
CR

80519NE03PREU
NE

80519CM03PREU
CM/NS

80519HM03PREU
HM

80519OR03PREU
OR/OP

Non disponibile in altre finiture. / Not available in other finishes.

PROLUNGA / MIXER EXTENSION

00102CRPRP3

OPTIONAL: Scatola incasso per cartongesso / Built-in box for drywall and cavity wall **09702PBOX**

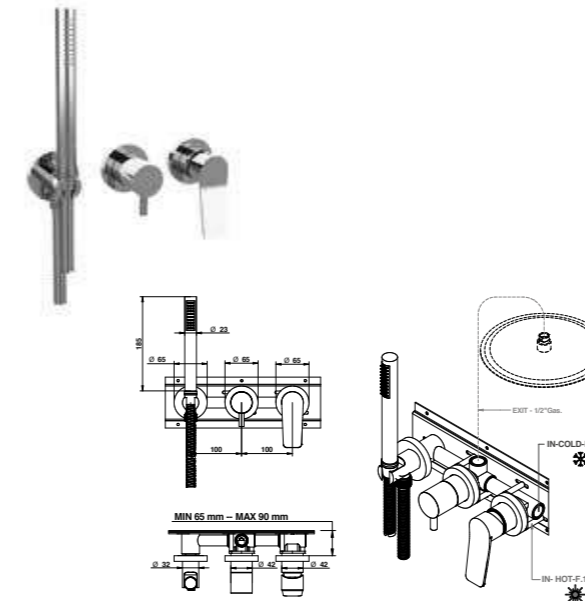
RICAMBI / SPARE PARTS

9813 **09860**

80551/ADPR

Gruppo doccia incasso completo di connessioni, miscelatore, deviatore e set doccia con piastra interna per fissaggio semplificato.

Built-in shower mixer with connection, mixer, diverter and handshower set with easy installation internal plate.

Dettaglio flessibili / Flexible details pag. 42

PROLUNGA / MIXER EXTENSION

68113CRPR

ARTICOLO COMPLETO / COMPLETE ITEM

80551CRADPR
CR

PARTE INCASSO / BUILT-IN PART
PARTE ESTERNA DA ABBINARE / EXTERNAL MATCHING PART

FINITURE / FINISHES

0969000DP

80551CRADPREU
CR

80551NEADPREU
NE

80551CMADPREU
CM/NS

80551HMADPREU
HM

80551ORADPREU
OR/OP

Non disponibile in altre finiture. / Not available in other finishes.

RICAMBI / SPARE PARTS

9813 **9611CR00**

00850CR0E **9808/2**

00850XX00 * **9600XXPV □**

* Ricambio per finiture diverse dal cromo. / Spare part for different finishes.
□ Per le finiture verniciate e satinare il flessibile verrà fornito in PVC nero. / The flexible hose will be supplied in black PVC for painted and matt finishes.

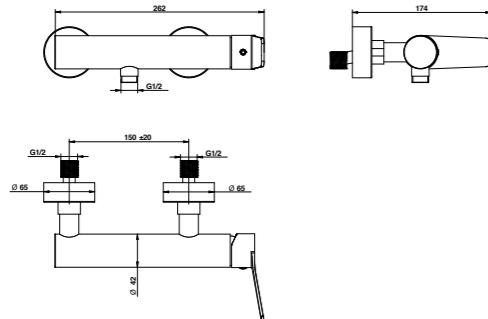
Disponibili in abbinamento miscelatori termostatici ad incasso / Available combined with built-in thermostatic mixers:
art. 68549/PR pag. 562 - art. 68569/PR pag. 563 - art. 68569/3PR pag. 564

ACCESSORI E RICAMBI / ACCESSORIES AND SPARE PARTS


Disponibile anche in ottone CW510
con quantitativo inferiore allo 0,2% di piombo
Available also in CW510 brass
with a quantity of less than 0.2% lead

80523/PR

Miscelatore esterno per doccia External shower mixer



ARTICOLO COMPLETO / COMPLETE ITEM

80523CRPR
CR

80523NEPR
NE

80523CMPR
CM/NS

80523HMPR
HM

80523ORPR
OR/OP

Non disponibile in altre finiture. / Not available in other finishes.

ABBINABILE A / TO MATCH WITH:
Saliscendi / Sliding rail - 870

RICAMBI / SPARE PARTS

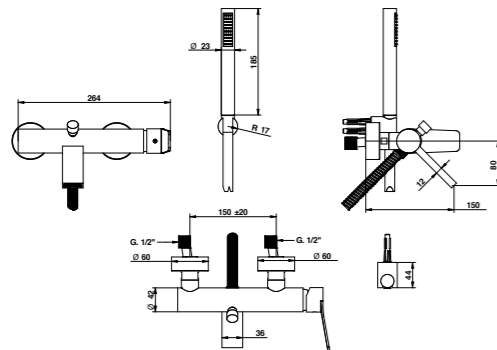


9838

80526/DPR

Miscelatore vasca esterno con set doccia External bath and shower mixer with shower set.

Dettaglio flessibili / Flexible details pag. 42



ARTICOLO COMPLETO / COMPLETE ITEM

80526CRODPR
CR

80526NEODPR *
NE

80526CMODPR *
CM/NS

80526HMODPR *
HM

80526ORODPR
OR/OP

* Nelle varianti colore verniciate e satinare alcuni particolari saranno in finitura galvanica per garantire gli standard qualitativi. / To assure our quality standard on colored and satin product, some details remain in galvanic finishes.

Non disponibile in altre finiture. / Not available in other finishes.

RICAMBI / SPARE PARTS



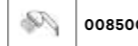
9819



9972



9611



00850CROE



00136CR



00850XX00 *



9600XXPV □

* Ricambio per finiture diverse dal cromo. / Spare part for different finishes.
□ Per le finiture verniciate e satinare il flessibile verrà fornito in PVC nero. / The flexible hose will be supplied in black PVC for painted and matt finishes.

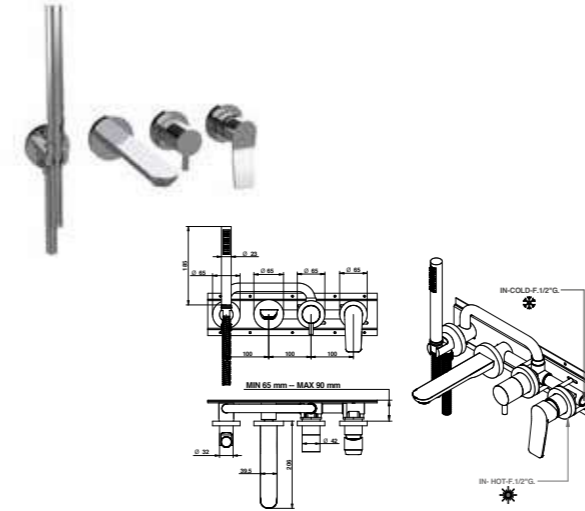
FINITURE E COLORI / FINISHES AND COLOURS



80550/ADPR

Gruppo vasca incasso completo di connessioni, miscelatore, deviatore e set doccia con piastra interna per fissaggio semplificato. Built-in bath mixer with mixer, diverter, connection and handshower set with easy installation internal plate.

Dettaglio flessibili / Flexible details pag. 42



PROLUNGA / MIXER EXTENSION

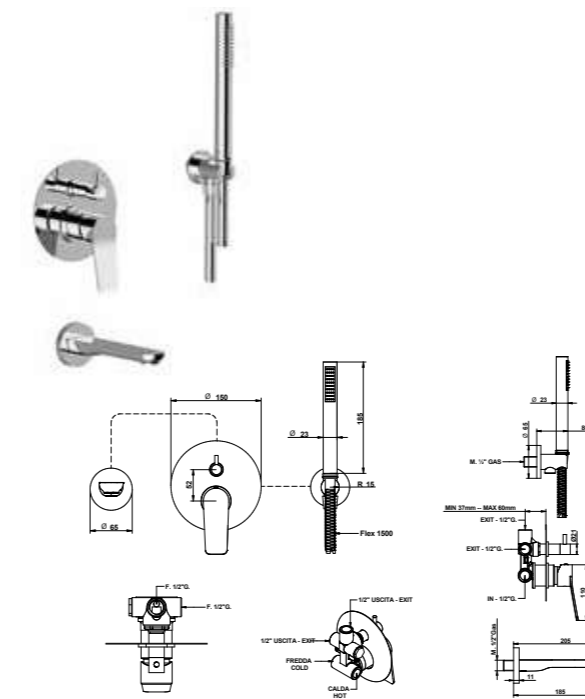


68113CRVAPR

80530/DPR

Gruppo vasca incasso con set doccia e deviatore meccanico. Built-in bath and shower mixer with shower set and mechanical diverter.

Dettaglio flessibili / Flexible details pag. 42



PROLUNGA / MIXER EXTENSION



00102CRPRP3

ACCESSORI E RICAMBI / ACCESSORIES AND SPARE PARTS



PROLUNGA
MIXER EXTENSION



CARTUCCIA E VITONE
CARTRIDGE AND MECHANISM



AERATORE
AERATOR



FLESSIBILE
FLEXIBLE



DOCCETTA
HANDSHOWER



DEVIATORE
DIVERTER

ARTICOLO COMPLETO / COMPLETE ITEM

80550CRADPR
CR

PARTE INCASSO
BUILT-IN PART

PARTE ESTERNA DA ABBINARE
EXTERNAL MATCHING PART

FINITURE / FINISHES

0969000VA

80550CRADPREU
CR

80550NEADPREU
NE

80550CMADPREU
CM/NS

80550HMADPREU
HM

80550ORADPREU
OR/OP

Non disponibile in altre finiture. / Not available in other finishes.

RICAMBI / SPARE PARTS



9813



9378/VA



9611CR00



00850CROE



9808/2



00850XX00 *



9600XXPV □

* Ricambio per finiture diverse dal cromo. / Spare part for different finishes.
□ Per le finiture verniciate e satinare il flessibile verrà fornito in PVC nero. / The flexible hose will be supplied in black PVC for painted and matt finishes.

ARTICOLO COMPLETO / COMPLETE ITEM

80530CRODPR
CR

PARTE INCASSO
BUILT-IN PART

PARTE ESTERNA DA ABBINARE
EXTERNAL MATCHING PART

FINITURE / FINISHES

9763

80530CRODPREU
CR

80530NEODPREU
NE

80530CMODPREU
CM/NS

80530HMODPREU
HM

80530ORODPREU
OR/OP

Non disponibile in altre finiture. / Not available in other finishes.

OPTIONAL: Scatola incasso per cartongesso / Built-in box for drywall and cavity wall 09702PBOX

RICAMBI / SPARE PARTS



9813



9999CR



9611CR



9861



00850CROE



00850XX00 *



9600XXPV □

* Ricambio per finiture diverse dal cromo. / Spare part for different finishes.
□ Per le finiture verniciate e satinare il flessibile verrà fornito in PVC nero. / The flexible hose will be supplied in black PVC for painted and matt finishes.

T MIX18

DESIGN CENTER DIRECTED BY
ANTONIO BONGIO

#DECOR
EVERYWHERE



UNLEASH
YOUR CREATIVITY



RIGORE E SEMPLICITÀ

Rigour and simplicity

La particolare apertura della bocca, le forme rigorose e le linee rigide e minimali rendono T MIX18 il complemento d'arredo ideale per ambienti che fanno della linearità e della pulizia formale il proprio mood.

The special opening of the spout, the jagged, sharp lines and the minimal shapes make T MIX18 the ideal furnishing item for environments where linearity and formal clarity set the mood.

#MIXANDMATCH



2

#GRAPHICLOOK

1. Art. 08521CRPR
2. Art. 43007CR60DA



LAVABO / WASHBASIN
Art. 08538CRPR

VASCA / BATHTUB
Art. 08530CRODPR

ACCESSORI / ACCESSORIES
Art. 43001CRDA
Art. 43007CR60DA
Art. 43027CRDA



SPECIAL THANKS TO

Tecnografica
italian wallpaper
www.tecnografica.net

#CHROMEADDICTED



LAVABO / WASHBASIN
 Art. 08521CRPR
 Art. 08532CRPR



INFORMAZIONI TECNICHE

Technical details



CARTUCCIA: La serie T Mix18 è dotata di diverse tipologie di cartucce: cartuccia \varnothing 25 mm e cartuccia \varnothing 35 mm senza distributore. La temperatura d'impianto non deve superare i 70°C. La pressione di esercizio dell'impianto consigliata è di 3 bar.

EROGAZIONE: I lavabi e i bidet sono forniti con limitatori di portata da 6l/m.

SISTEMI DI DEVIAZIONE: I deviatori Bongio sono testati per funzionare da un minimo di 0,5 bar pressione.

INSTALLAZIONE: Tutti gli articoli ad incasso Bongio completi sono forniti di relative parti da incassare.

Per i miscelatori lavabo e bidet da installarsi su piano, devono essere realizzati fori di \varnothing 35 mm. massimo.

CARTRIDGE: T Mix18 series uses different kind of cartridges: \varnothing 25 mms and \varnothing 35 mms without distributor.

The temperature of the plant must not exceed 70°. The ideal working pressure of the plant is 3 bar.

SUPPLY: Basin and bidet mixers have a standard limitation of flow to 6l/m which reduces the water waste.

DIVERTING SYSTEMS: Bongio diverters have been tested to work properly starting from a minimum 0,5 bar pressure

INSTALLATION: All the built-in Bongio items are available with universal raw built-in body.

For the basin and bidet mixers - single or three holes - to be place on top deck, they require \varnothing 35 mms maximum holes.

FINITURE E COLORI / FINISHES AND COLOURS

DETTAGLI / MORE INFO PAG. 38



CR
Cromo
Chrome



NS
Nichel Spazzolato
Brushed Nickel



NE
Nero Opaco
Matt Black
(RAL 9005)



OR
Oro 24kt
24kt Gold



OP
Oro Spazzolato 24kt
24kt Brushed Gold

SPECIAL THANKS TO

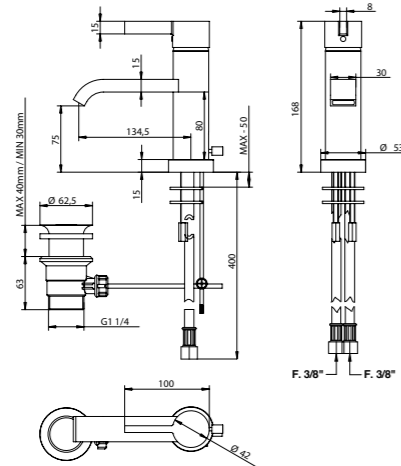
T **Tecnografica**
italian wallpaper

www.tecnografica.net

LAVABO / WASHBASIN
Art. 08538CRPR

08521/PR NEW

Miscelatore lavabo con scarico 1.1/4" Basin mixer with 1.1/4" pop-up waste. in ottone.

**ARTICOLO COMPLETO / COMPLETE ITEM**

08521CRPR
CR

08521NSPR
NS/NE

08521ORPR
OR/OP

Non disponibile in altre finiture. / Not available in other finishes.

ABBINABILE A / TO MATCH WITH:
Sifone / Siphon - **00067CR00**

PROLUNGA / MIXER EXTENSION

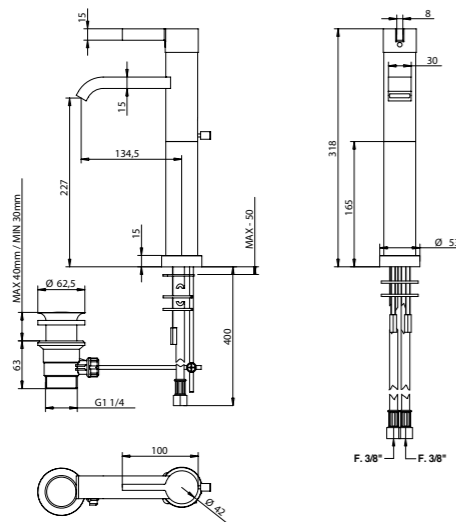
000943CR15

RICAMBI / SPARE PARTS

9862 **9397**

08532/PR NEW

Miscelatore lavabo con prolunga 150 mm e scarico 1.1/4" in ottone. Basin mixer with 150 mms. extension and 1.1/4" pop-up waste.

**ARTICOLO COMPLETO / COMPLETE ITEM**

08532CRPR
CR

08532NSPR
NS/NE

08532ORPR
OR/OP

Non disponibile in altre finiture. / Not available in other finishes.

ABBINABILE A / TO MATCH WITH:
Sifone / Siphon - **00067CR00**

PROLUNGA / MIXER EXTENSION

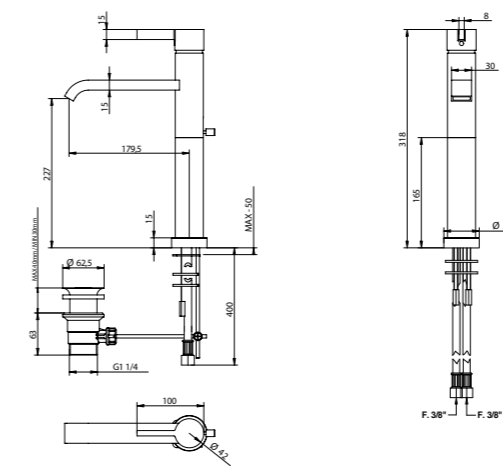
000943CR15

RICAMBI / SPARE PARTS

9862 **9397**

FINITURE E COLORI / FINISHES AND COLOURS**08520/PR**

Miscelatore lavabo con bocca lunga, prolunga 150 mm e scarico 1.1/4". Basin mixer with long spout, 150 mms and 1.1/4" pop-up waste.

**ARTICOLO COMPLETO / COMPLETE ITEM**

08520CRPR
CR

08520NSPR
NS/NE

08520ORPR
OR/OP

Non disponibile in altre finiture. / Not available in other finishes.

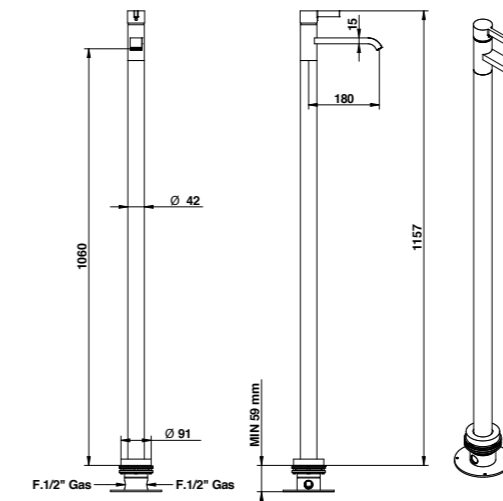
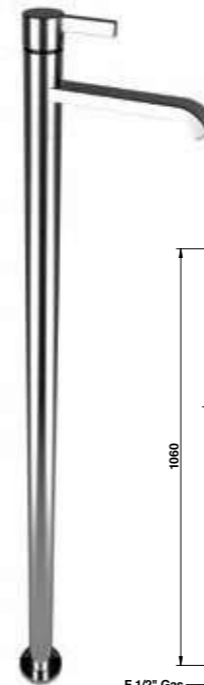
ABBINABILE A / TO MATCH WITH:
Sifone / Siphon - **00067CR00**

RICAMBI / SPARE PARTS

9862 **9397**

08533/PR

Miscelatore lavabo a pavimento. Floor mounted basin mixer.

**ARTICOLO COMPLETO / COMPLETE ITEM**

08533CRPR
CR

PARTE INCASSO
BUILT-IN PART

PARTE ESTERNA DA ABBINARE
EXTERNAL MATCHING PART

FINITURE / FINISHES

09744

08533CRPREU
CR

08533NSPREU
NS/NE

08533ORPREU
OR/OP

Non disponibile in altre finiture. / Not available in other finishes.

ABBINABILE A / TO MATCH WITH:
Sifone / Siphon - **00067CR00**
Piletta clic-clac / Clic-clac waste - **00079CRPR**

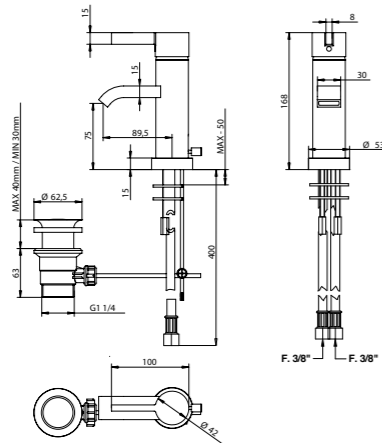
RICAMBI / SPARE PARTS

9862 **9397**

ACCESSORI E RICAMBI / ACCESSORIES AND SPARE PARTS

08522/PR

Miscelatore bidet con scarico 1.1/4" in ottone. Bidet mixer with 1.1/4" pop-up waste. in ottone.



ARTICOLO COMPLETO / COMPLETE ITEM

08522CRPR
CR

08522NSPR
NS/NE

08522ORPR
OR/OP

Non disponibile in altre finiture. / Not available in other finishes.

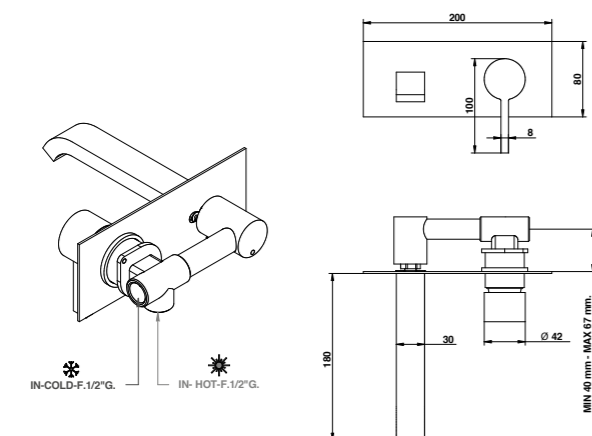
ABBINABILE A / TO MATCH WITH:
Sifone / Siphon - 00066CR00

RICAMBI / SPARE PARTS

	9862		9397
--	------	--	------

08539/PR

Miscelatore lavabo incasso con bocca 180 mm e piastra. Built-in basin mixer with 180 mms. spout and plate.



ARTICOLO COMPLETO / COMPLETE ITEM

08539CRPR
CR

PARTE INCASSO BUILT-IN PART

PARTE ESTERNA DA ABBINARE EXTERNAL MATCHING PART

FINITURE / FINISHES

09729

08539CRPREU
CR

08539NSPREU
NS

08539ORPREU
OR/OP

Non disponibile in altre finiture. / Not available in other finishes.

ABBINABILE A / TO MATCH WITH:
Sifone / Siphon - 00067CR00
Piletta clic-clac / Clic-clac waste - 00079CRPR

OPTIONAL: Scatola incasso per cartongesso / Built-in box for drywall and cavity wall 09702PBOX

RICAMBI / SPARE PARTS

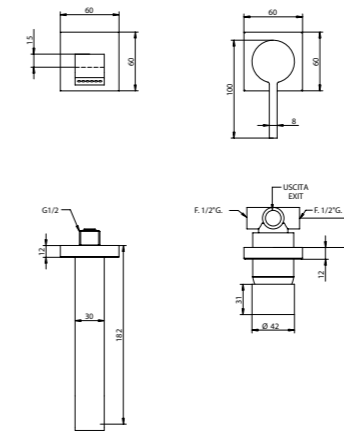
	9813		9397
--	------	--	------

FINITURE E COLORI / FINISHES AND COLOURS



08538/PR

Miscelatore lavabo incasso con bocca 180 mm. Built-in basin mixer with 180 mms. spou.



ARTICOLO COMPLETO / COMPLETE ITEM

08538CRPR
CR

PARTE INCASSO BUILT-IN PART

PARTE ESTERNA DA ABBINARE EXTERNAL MATCHING PART

FINITURE / FINISHES

09761

08538CRPREU
CR

08538NSPREU
NS/NE

08538ORPREU
OR/OP

Non disponibile in altre finiture. / Not available in other finishes.

ABBINABILE A / TO MATCH WITH:
Sifone / Siphon - 00067CR00
Piletta clic-clac / Clic-clac waste - 00079CRPR

PROLUNGA / MIXER EXTENSION

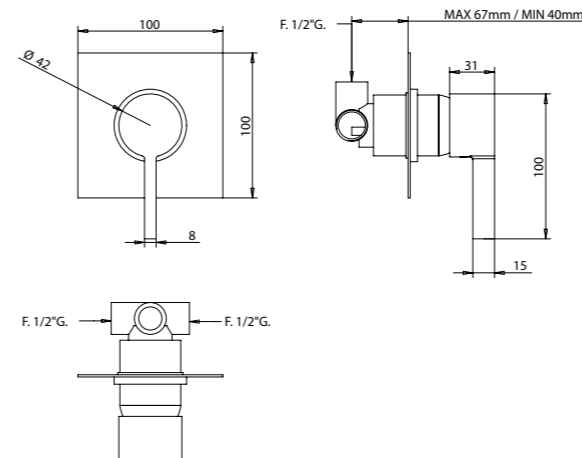
00100CRPRPR

RICAMBI / SPARE PARTS

	9813		9397
--	------	--	------

08524/PR

Miscelatore incasso. Built-in mixer.



ARTICOLO COMPLETO / COMPLETE ITEM

08524CRPR
CR

PARTE INCASSO BUILT-IN PART

PARTE ESTERNA DA ABBINARE EXTERNAL MATCHING PART

FINITURE / FINISHES

09761

08524CRPREU
CR

08524NSPREU
NS/NE

08524ORPREU
OR/OP

Non disponibile in altre finiture. / Not available in other finishes.

PROLUNGA / MIXER EXTENSION

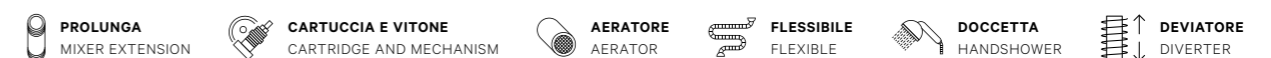
00100CRPRPR

OPTIONAL: Scatola incasso per cartongesso / Built-in box for drywall and cavity wall 09702PBOX

RICAMBI / SPARE PARTS

	9813
--	------

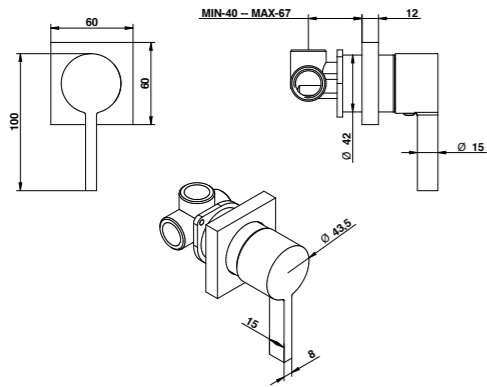
ACCESSORI E RICAMBI / ACCESSORIES AND SPARE PARTS



08524/RPPR

Miscelatore incasso.

Built-in mixer.

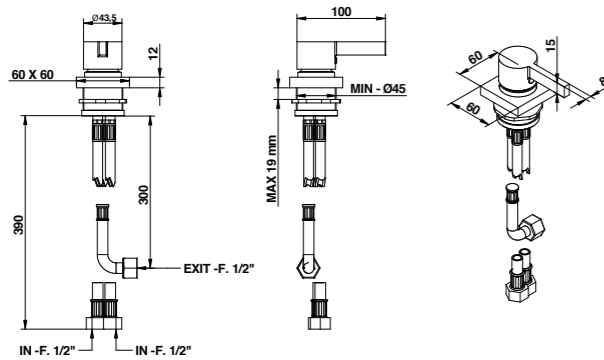
**ARTICOLO COMPLETO / COMPLETE ITEM****08524CRRPPR**
CR**PARTE INCASSO**
BUILT-IN PART**PARTE ESTERNA DA ABBINARE**
EXTERNAL MATCHING PART**FINITURE / FINISHES**

09761

08524CRRPPREU
CR**08524NSRPPREU**
NS/NE**08524ORRPPREU**
OR/OP**Non disponibile in altre finiture. / Not available in other finishes.****PROLUNGA / MIXER EXTENSION**
00100CRPPR
OPTIONAL: Scatola incasso per cartongesso / Built-in box for drywall and cavity wall **09702PBOX****RICAMBI / SPARE PARTS**
9813
08510/PR

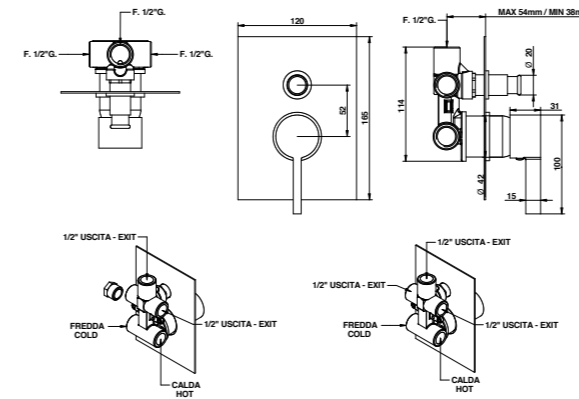
Miscelatore bordo piano.

Mixer for deck installation.

**ARTICOLO COMPLETO / COMPLETE ITEM****08510CRPR**
CR**08510NSPR**
NS/NE**08510ORPR**
OR/OP**Non disponibile in altre finiture. / Not available in other finishes.****RICAMBI / SPARE PARTS**
9813
FINITURE E COLORI / FINISHES AND COLOURS**08529/PR**

Miscelatore incasso con deviatore automatico a due uscite.

Built-in mixer with 2 way automatic diverter.

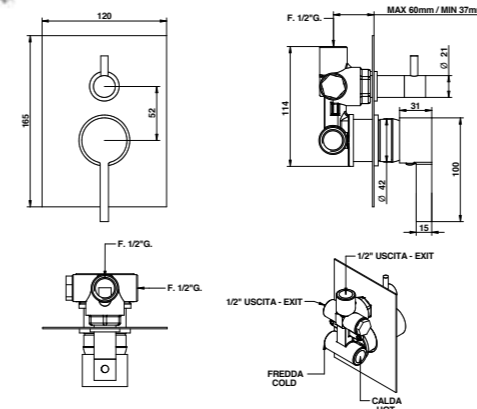
**ARTICOLO COMPLETO / COMPLETE ITEM****08529CRPR**
CR**Non disponibile in altre finiture. / Not available in other finishes.**

Il corpo incasso non può essere anticipato. / Built-in body cannot be delivered separately in advance.

PROLUNGA / MIXER EXTENSION
00102CRPPR
OPTIONAL: Scatola incasso per cartongesso / Built-in box for drywall and cavity wall **09702PBOX****RICAMBI / SPARE PARTS**
9813
00114CRPR
08519/PR

Miscelatore incasso con deviatore meccanico a 2 uscite.

Built-in mixer with 2 way mechanical diverter.

**ARTICOLO COMPLETO / COMPLETE ITEM****08519CRPR**
CR**PARTE INCASSO**
BUILT-IN PART**PARTE ESTERNA DA ABBINARE**
EXTERNAL MATCHING PART**FINITURE / FINISHES**

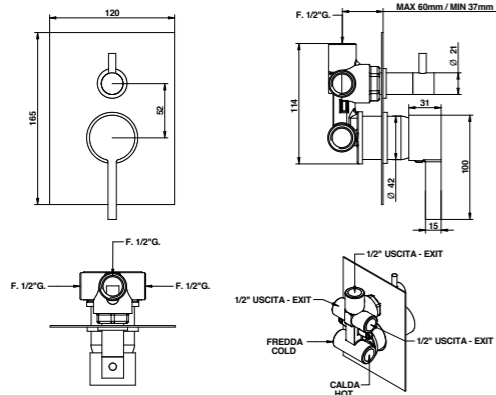
09763

08519CRPREU
CR**08519NSPREU**
NS/NE**08519ORPREU**
OR/OP**Non disponibile in altre finiture. / Not available in other finishes.****PROLUNGA / MIXER EXTENSION**
00102CRPPR3
OPTIONAL: Scatola incasso per cartongesso / Built-in box for drywall and cavity wall **09702PBOX****RICAMBI / SPARE PARTS**
9813
9861
ACCESSORI E RICAMBI / ACCESSORIES AND SPARE PARTS

08519/3PR

Miscelatore incasso con deviatore meccanico a 3 uscite.

Built-in mixer with 3 way mechanical diverter.



ARTICOLO COMPLETO / COMPLETE ITEM

08519CR03PR
CR

PARTE INCASSO
BUILT-IN PART

PARTE ESTERNA DA ABBINARE
EXTERNAL MATCHING PART

FINITURE / FINISHES

09763/3

08519CR03PREU
CR

08519NS03PREU
NS/NE

08519OR03PREU
OR/OP

Non disponibile in altre finiture. / Not available in other finishes.

PROLUNGA / MIXER EXTENSION

00102CRPRP3

OPTIONAL: Scatola incasso per cartongesso / Built-in box for drywall and cavity wall **09702PBOX**

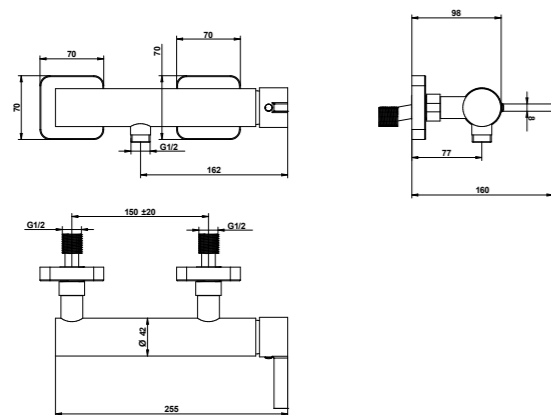
RICAMBI / SPARE PARTS

9813 09860

08523/PR

Miscelatore doccia esterno.

External shower mixer.



ARTICOLO COMPLETO / COMPLETE ITEM

08523CRPR
CR

08523NSPR
NS/NE

08523ORPR
OR/OP

Non disponibile in altre finiture. / Not available in other finishes.

ABBINABILE A / TO MATCH WITH:
Asta saliscendi / Sliding rail - **870**

RICAMBI / SPARE PARTS

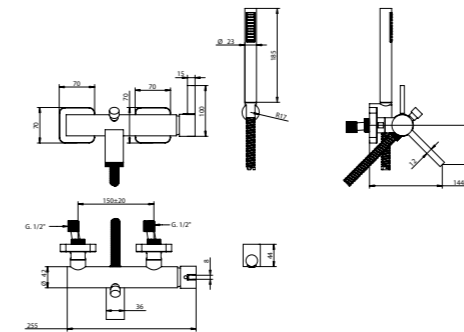
9838

08526/DPR

Miscelatore vasca esterno con set doccia.

External bath mixer with shower set.

Dettaglio flessibili / Flexible details pag. 42



ARTICOLO COMPLETO / COMPLETE ITEM

08526CR0DPR
CR

08526NS0DPR *
NS/NE

08526OR0DPR
OR/OP

* Nelle varianti colore verniciate e satinare alcuni particolari saranno in finitura galvanica per garantire gli standard qualitativi. / To assure our quality standard on colored and satin product, some details remain in galvanic finishes.

Non disponibile in altre finiture. / Not available in other finishes.

RICAMBI / SPARE PARTS

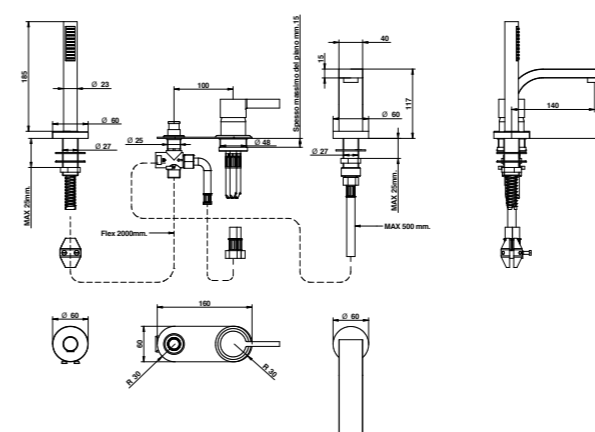
	9819		9972
	9611CR		00850CROE
	00136CR		00850XX00 *
	9600XXPV □		

* Ricambio per finiture diverse dal cromo. / Spare part for different finishes.
□ Per le finiture verniciate e satinare il flessibile verrà fornito in PVC nero. / The flexible hose will be supplied in black PVC for painted and matt finishes.

08531/DPR

Miscelatore bordo vasca con set doccia.

Deck bath mixer with handshower set.



ARTICOLO COMPLETO / COMPLETE ITEM

08531CR0DPR
CR

08531NS0DPR
NS/NE

08531OR0DPR
OR/OP

Non disponibile in altre finiture. / Not available in other finishes.

RICAMBI / SPARE PARTS

	9813		9982CR
	9606CR		00850CROE
	00127CR		00850XX00 *

* Ricambio per finiture diverse dal cromo. / Spare part for different finishes.

FINITURE E COLORI / FINISHES AND COLOURS



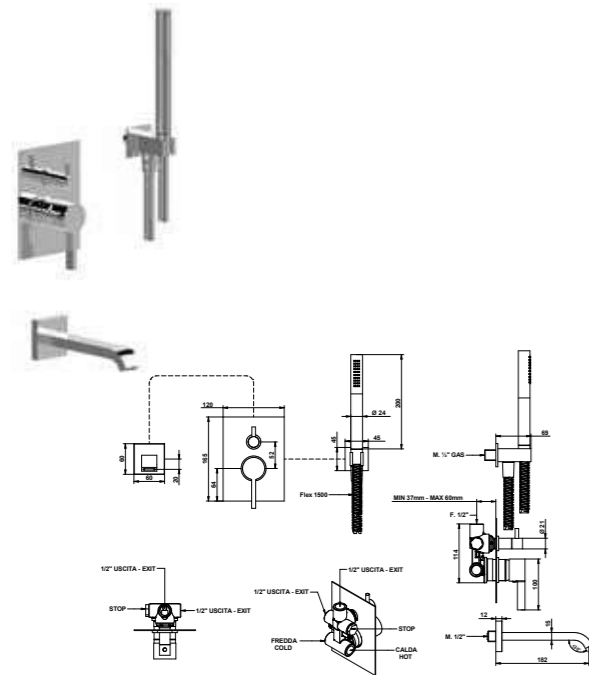
ACCESSORI E RICAMBI / ACCESSORIES AND SPARE PARTS



08530/DPR

Gruppo vasca incasso con set doccia duplex e deviatore meccanico. Built-in bath and shower mixer with duplex shower set and mechanical diverter.

Dettaglio flessibili / Flexible details pag. 42



ARTICOLO COMPLETO / COMPLETE ITEM

08530CR0DPR
CR

PARTE INCASSO BUILT-IN PART PARTE ESTERNA DA ABBINARE EXTERNAL MATCHING PART

FINITURE / FINISHES

09763 08530CR0DPREU
CR

08530NS0DPREU
NS/NE

08530OR0DPREU
OR/OP

Non disponibile in altre finiture. / Not available in other finishes.

PROLUNGA / MIXER EXTENSION

00102CRPRP3

OPTIONAL: Scatola incasso per cartongesso / Built-in box for drywall and cavity wall 09702PBOX

RICAMBI / SPARE PARTS

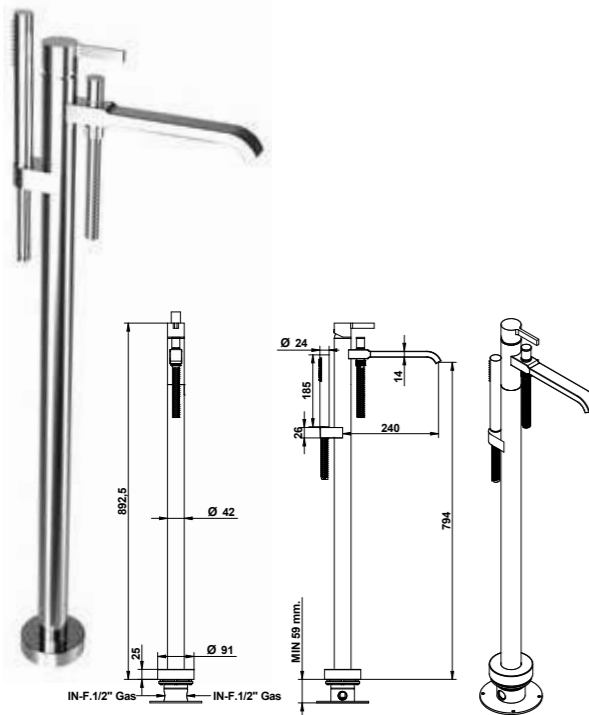
	9813		9611CR
	00850CROE		9860
	00850XX00 *		9600XXPV □

* Ricambio per finiture diverse dal cromo. / Spare part for different finishes.
□ Per le finiture verniciate e satinare il flessibile verrà fornito in PVC nero. / The flexible hose will be supplied in black PVC for painted and matt finishes.

08534/DPR

Miscelatore vasca a pavimento con set doccia e deviatore. Floor mounted bath mixer with shower set and diverter.

Dettaglio flessibili / Flexible details pag. 42



ARTICOLO COMPLETO / COMPLETE ITEM

08534CR0DPR
CR

PARTE INCASSO BUILT-IN PART PARTE ESTERNA DA ABBINARE EXTERNAL MATCHING PART

FINITURE / FINISHES

09744 08534CR0DPREU
CR

08534NS0DPREU *
NS/NE

08534OR0DPREU
OR/OP

* Nelle varianti colore verniciate e satinare alcuni particolari saranno in finitura galvanica per garantire gli standard qualitativi. / To assure our quality standard on colored and satin product, some details remain in galvanic finishes.

Non disponibile in altre finiture. / Not available in other finishes.

RICAMBI / SPARE PARTS

	9812		9611
	00850CROE		00138
	00850XX00 *		9600XXPV □

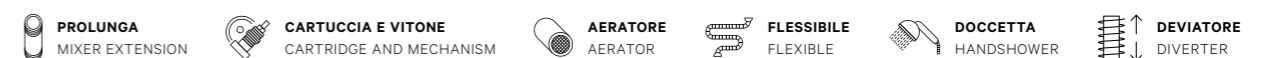
* Ricambio per finiture diverse dal cromo. / Spare part for different finishes.
□ Per le finiture verniciate e satinare il flessibile verrà fornito in PVC nero. / The flexible hose will be supplied in black PVC for painted and matt finishes.

FINITURE E COLORI / FINISHES AND COLOURS



Art. 08538CRPR

ACCESSORI E RICAMBI / ACCESSORIES AND SPARE PARTS



O'CLOCK

DESIGN BY MARCO POLETTI



#SEACOLORS

COZY ATMOSPHERE

LA BELLEZZA DELLA SEMPLICITÀ

The beauty of simplicity

Con le sue forme sinuose, semplici e sempre attuali O'CLOCK ricorda che la funzione non è secondaria al design. Perfetto in spazi contemporanei o in progetti di ristrutturazioni, incarna un'idea di modernità che sa convivere con ogni stile.

With its sinuous, simple and timeless shapes, O'CLOCK reminds us that function is no less important than design. Perfect for contemporary spaces or renovation projects, this line embodies an idea of modernity that knows how to blend in with any style.



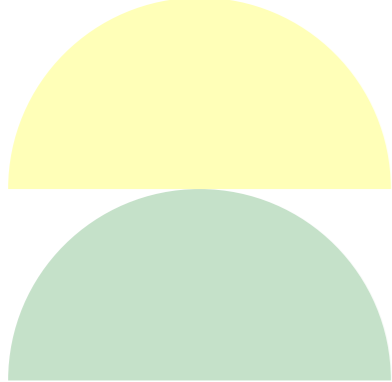
#CAPRISTYLE



- 1. Art. 14538CR22
- 2. Art. 14889CR00
- 3. Art. 14522CRPR
- 4. Art. 04101BI00

#NEWTRADITION





#RETROCONTEMPORARY

LAVABO / WASHBASIN
Art. 14538BI22

BIDET / BIDET
Art. 14522BI

DOCCIA / SHOWER
Art. 14889BI00
Art. 14529BIPR
Art. 830BIPRM1

VASCA / BATHTUB
Art. 14534BIODPR

ACCESSORI / ACCESSORIES
Art. 44001BI00
Art. 30027BI00
Art. 44033BI00
Art. 04101BI00





#TIMELESSLOOK

LAVABO / WASHBASIN
Art. 14521CRPR



LAVABO / WASHBASIN
Art. 14521NSPR

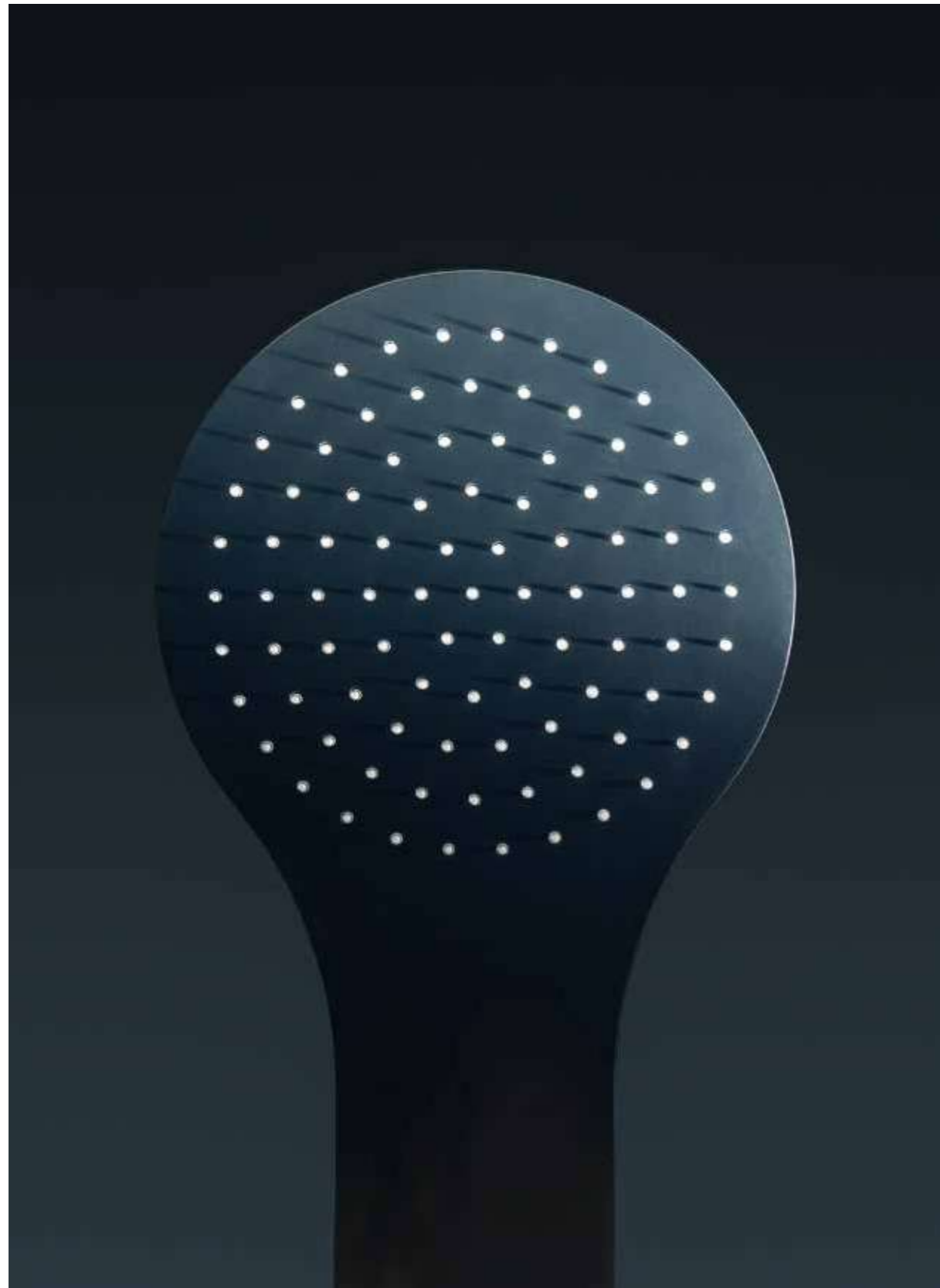


LAVABO / WASHBASIN
 Art. 14521NEPR
 Art. 14521BIPR
 Art. 14521OPPR
 Art. 14521NSPR
 Art. 14521CRPR



LAVABO / WASHBASIN
 Art. 14521NEPR

Art. 14889NE00



INFORMAZIONI TECNICHE

Technical details



CARTUCCIA: La serie O'Clock è dotata di diverse tipologie di cartucce: cartuccia ø 25 mm e cartuccia ø 35 mm senza distributore. La temperatura d'impianto non deve superare i 70°C. La pressione di esercizio dell'impianto consigliata è di 3 bar.

EROGAZIONE: La serie O'clock ha un tipo di erogazione morbida. **I lavabi e i bidet sono forniti con limitatore di portata da 6 l/m.**

SISTEMI DI DEVIAZIONE: I deviatori Bongio sono testati per funzionare da un minimo di 0,5 bar pressione.

INSTALLAZIONE: Tutti gli articoli ad incasso completi Bongio sono forniti di relative parti da incassare.

Per i miscelatori lavabo e bidet da installarsi su piano, devono essere realizzati fori di ø 35 mm. massimo.

ENERGY ECONOMY SYSTEM (SU RICHIESTA) è una tecnologia che permette di fornire acqua fredda con la leva posizionata nel mezzo. Il risparmio di energia, di acqua calda ed il risparmio economico sono assicurati nel rispetto dell'ambiente.

CARTRIDGE: O'Clock series uses different kind of cartridges: ø 25 mms and ø 35 mms without distributor.

The temperature of the plant must not exceed 70°. The ideal working pressure of the plant is 3 bar.

SUPPLY: O'clock series has a soft supply. **Basin and bidet mixers have a standard limitation of flow to 6 l/m which reduces the water waste.**

DIVERTING SYSTEMS: Bongio diverters have been tested to work properly starting from a minimum 0,5 bar pressure.

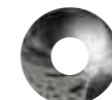
INSTALLATION: All the built-in Bongio items are available with universal raw built-in body.

For the basin and bidet mixers - single or three holes - to be place on top deck, they require ø 35 mms maximum holes.

ENERGY ECONOMY SYSTEM (UPON REQUEST) is a technology that supplies cold water with the lever placed in the middle. Energy saving, hot water saving and economic saving are granted in the respect of the ambience.

FINITURE E COLORI / FINISHES AND COLOURS

DETTAGLI / MORE INFO PAG. 38



CR
Cromo
Chrome



CN
Cromo Nero
Black Chrome



NS
Nichel Spazzolato
Brushed Nickel



PL
Platinum



NM
Cromo Nero Satinato
Matt Black Chrome



HM
Oro Francese Satinato
Matt French Gold



AM
Oro Rosa Satinato
Matt Rose Gold



BI
Bianco Opaco
Matt White



NE
Nero Opaco
Matt Black
(RAL 9005)



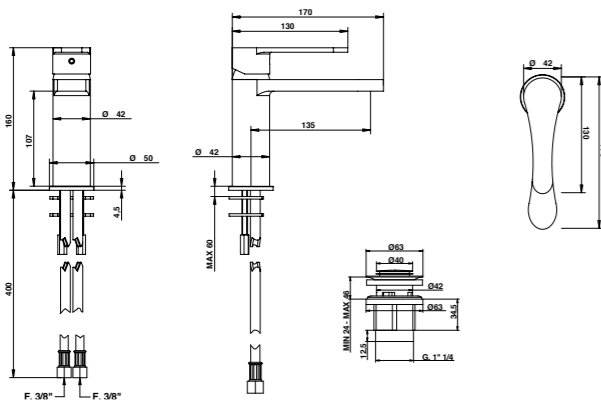
OR
Oro 24kt
24kt Gold



OP
Oro Spazzolato 24kt
24kt Brushed Gold

14521/PR

Miscelatore lavabo con piletta clic-clac in ottone. Basin mixer with clic-clac waste.



ARTICOLO COMPLETO / COMPLETE ITEM

14521CRPR
CR

14521NSPR
NS

14521NEPR
NE/BI

14521PLPR
PL

14521AMPR
AM/NM/HM/CN

14521XXPR *
XX

* XX: Per tutte le altre finiture fattibili riferirsi a questa fascia di prezzo. / Refer to this line of price for all other realizable finishes.

Non disponibile in TT - BU - ON - BM / Not available TT - BU - ON - BM

ABBINABILE A / TO MATCH WITH:
Sifone / Siphon - **00067CR00**

PROLUNGA / MIXER EXTENSION

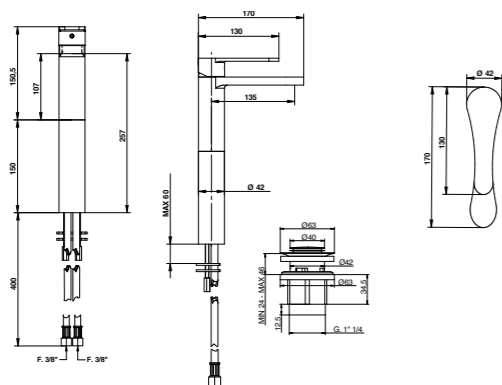
940CR15

RICAMBI / SPARE PARTS

9840 **9982**

14532/PR

Miscelatore lavabo con prolunga 15 cm e piletta clic-clac in ottone. Basin mixer with 15 cms. extension and clic-clac waste.



ARTICOLO COMPLETO / COMPLETE ITEM

14532CRPR
CR

14532NSPR
NS

14532NEPR
NE/BI

14532PLPR
PL

14532AMPR
AM/NM/HM/CN

14532XXPR *
XX

* XX: Per tutte le altre finiture fattibili riferirsi a questa fascia di prezzo. / Refer to this line of price for all other realizable finishes.

Non disponibile in TT - BU - ON - BM / Not available TT - BU - ON - BM

ABBINABILE A / TO MATCH WITH:
Sifone / Siphon - **00067CR00**

PROLUNGA / MIXER EXTENSION

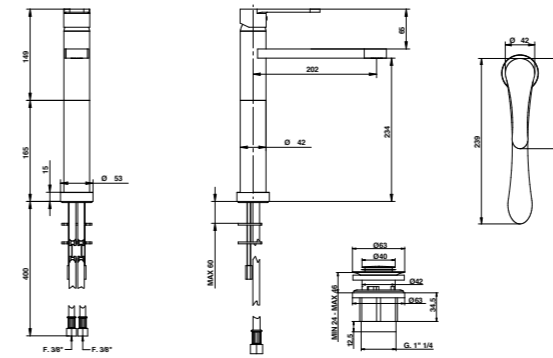
00940CR15

RICAMBI / SPARE PARTS

9840 **9982**

14520/PR

Miscelatore lavabo con prolunga 150 mm e bocca lunga completo di piletta clic-clac in ottone. Basin mixer with 150 mms extension long spout and clic-clac waste.



ARTICOLO COMPLETO / COMPLETE ITEM

14520CRPR
CR

14520NSPR
NS

14520NEPR
NE/BI

14520PLPR
PL

14520AMPR
AM/NM/HM/CN

14520XXPR *
XX

* XX: Per tutte le altre finiture fattibili riferirsi a questa fascia di prezzo. / Refer to this line of price for all other realizable finishes.

Non disponibile in TT - BU - ON - BM / Not available TT - BU - ON - BM

ABBINABILE A / TO MATCH WITH:
Sifone / Siphon - **00067CR00**

PROLUNGA / MIXER EXTENSION

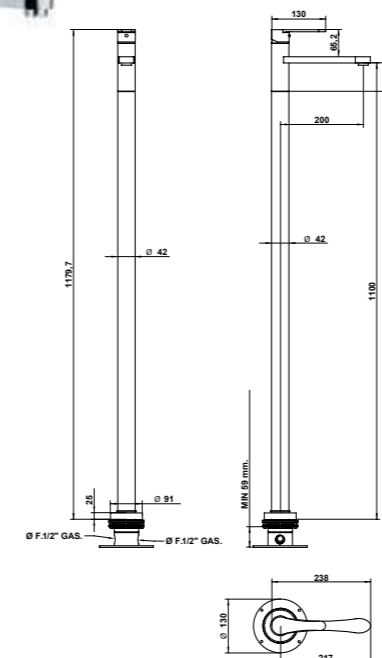
00930CR15

RICAMBI / SPARE PARTS

9812 **9982**

14533/PR

Miscelatore lavabo a pavimento. Floor mounted basin mixer.



ARTICOLO COMPLETO / COMPLETE ITEM

14533CRPR
CR

PARTE INCASSO
BUILT-IN PART

PARTE ESTERNA DA ABBINARE
EXTERNAL MATCHING PART

09744

FINITURE / FINISHES

14533CRPREU
CR

14533NSPREU
NS

14533BIPREU
BI/NE

14533PLPREU
PL

14533AMPREU
AM/NM/HM/CN

14533XXPREU *
XX

* XX: Per tutte le altre finiture fattibili riferirsi a questa fascia di prezzo. / Refer to this line of price for all other realizable finishes.

Non disponibile in TT - BU - ON - BM / Not available TT - BU - ON - BM

ABBINABILE A / TO MATCH WITH:
Sifone / Siphon - **00067CR00**
Piletta clic-clac / Clic-clac waste - **00079CRPR**

RICAMBI / SPARE PARTS

9812 **9982**

Energy Economy System su richiesta / Energy Economy System upon request

FINITURE E COLORI / FINISHES AND COLOURS



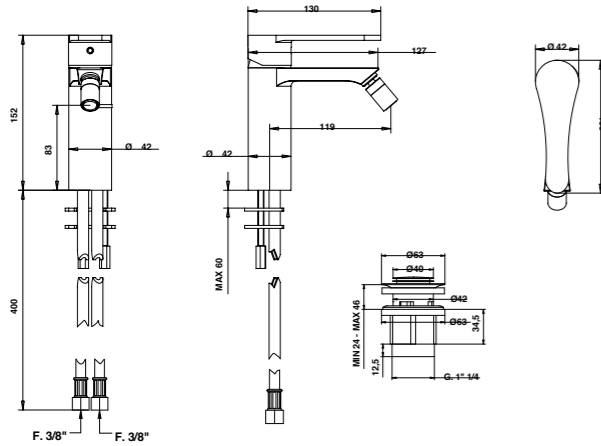
Energy Economy System su richiesta / Energy Economy System upon request

ACCESSORI E RICAMBI / ACCESSORIES AND SPARE PARTS



14522/PR

Miscelatore bidet con piletta clic/clac in ottone. Bidet mixer with clic-clac waste.



ARTICOLO COMPLETO / COMPLETE ITEM

14522CRPR
CR

14522NSPR
NS

14522NEPR
NE/BI

14522PLPR
PL

14522AMP
AM/NM/HM/CN

14522XXPR *
XX

* XX: Per tutte le altre finiture fattibili riferirsi a questa fascia di prezzo. / Refer to this line of price for all other realizable finishes.

Non disponibile in TT - BU - ON - BM / Not available TT - BU - ON - BM

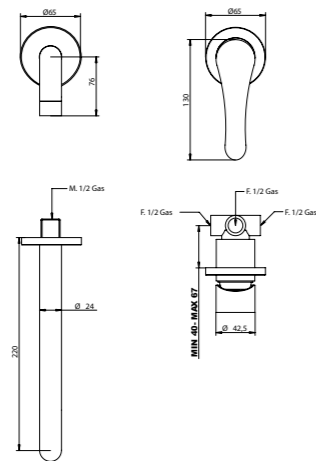
ABBINABILE A / TO MATCH WITH:
Sifone / Siphon - **00066CR00**

RICAMBI / SPARE PARTS

	9840		9977CR
--	------	--	--------

14438/22PR

Miscelatore lavabo incasso con bocca 230 mm. Built-in basin mixer with 230 mms. spout.



ARTICOLO COMPLETO / COMPLETE ITEM

14438CR22PR
CR

PARTE INCASSO
BUILT-IN PART

PARTE ESTERNA DA ABBINARE
EXTERNAL MATCHING PART

09761

FINITURE / FINISHES

14438CR22PREU
CR

14438NS22PREU
NS

14438NEEU
NE/BI

14438PLEU
PL

14438AMEU
AM/NM/HM/CN

14438XXEU *
XX

* XX: Per tutte le altre finiture fattibili riferirsi a questa fascia di prezzo. / Refer to this line of price for all other realizable finishes.

Non disponibile in TT - BU - ON - BM / Not available TT - BU - ON - BM

ABBINABILE A / TO MATCH WITH:
Sifone / Siphon - **00067CR00**
Piletta clic-clac / Clic-clac waste - **00079CRPR**

PROLUNGA / MIXER EXTENSION

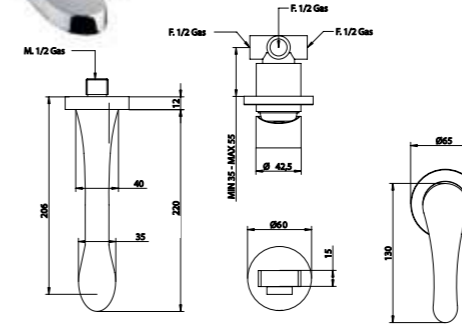
	00100CRPRPR
--	-------------

RICAMBI / SPARE PARTS

	9813		9999CR
--	------	--	--------

14538/22PR

Miscelatore monocomando lavabo incasso con bocca da 220 mm. Built-in basin mixer with 220 mms. spout.



ARTICOLO COMPLETO / COMPLETE ITEM

14538CR22PR
CR

PARTE INCASSO
BUILT-IN PART

PARTE ESTERNA DA ABBINARE
EXTERNAL MATCHING PART

09761

FINITURE / FINISHES

14538CR22PREU
CR

14538NS22PREU
NS

14538NE22PREU
NE/BI

14538PL22PREU
PL

14538AM22PREU
AM/NM/HM/CN

14538XX22PREU *
XX

* XX: Per tutte le altre finiture fattibili riferirsi a questa fascia di prezzo. / Refer to this line of price for all other realizable finishes.

Disponibile con bocca da 160 mm. / Available with 160 mms. spout.

Non disponibile in TT - BU - ON - BM / Not available TT - BU - ON - BM

PROLUNGA / MIXER EXTENSION

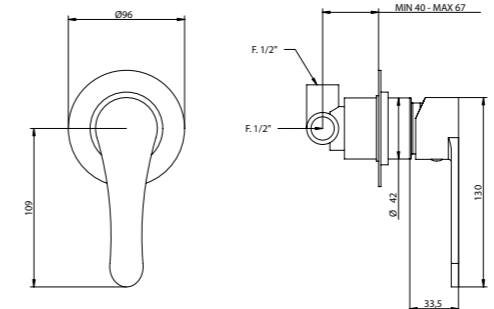
	00100CRPRPR
--	-------------

RICAMBI / SPARE PARTS

	9813		9982
--	------	--	------

14524/PR

Miscelatore incasso. Built-in mixer.



ARTICOLO COMPLETO / COMPLETE ITEM

14524CRPR
CR

PARTE INCASSO
BUILT-IN PART

PARTE ESTERNA DA ABBINARE
EXTERNAL MATCHING PART

09761

FINITURE / FINISHES

14524CRPREU
CR

14524NSPREU
NS/PL/NE/BI

14524AMPREU
AM/NM/HM/CN

14524XXPREU *
XX

* XX: Per tutte le altre finiture fattibili riferirsi a questa fascia di prezzo. / Refer to this line of price for all other realizable finishes.

Non disponibile in TT - BU - ON - BM / Not available TT - BU - ON - BM

PROLUNGA / MIXER EXTENSION

	00100CRPRPR
--	-------------

OPTIONAL: Scatola incasso per cartongesso / Built-in box for drywall and cavity wall **09702PBOX**

RICAMBI / SPARE PARTS

	9813
--	------

Energy Economy System su richiesta / Energy Economy System upon request

FINITURE E COLORI / FINISHES AND COLOURS



Energy Economy System su richiesta / Energy Economy System upon request

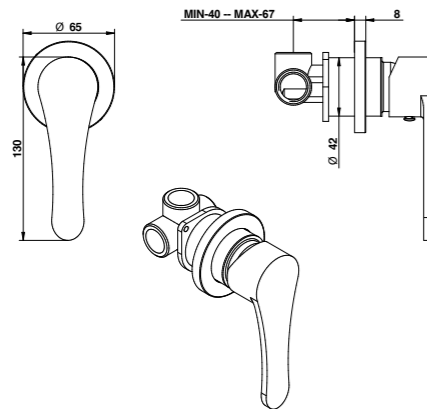
ACCESSORI E RICAMBI / ACCESSORIES AND SPARE PARTS



14524/RPPR

Miscelatore incasso.

Built-in mixer.

**ARTICOLO COMPLETO / COMPLETE ITEM****14524CRRPPR**
CR**PARTE INCASSO**
BUILT-IN PART**PARTE ESTERNA DA ABBINARE**
EXTERNAL MATCHING PART**FINITURE / FINISHES**

09761

14524CRRPPREU
CR**14524NSRPPREU**
NS/PL/NE/BI**14524AMRPPREU**
AM/NM/HM/CN**14524XXRPPREU ***
XX

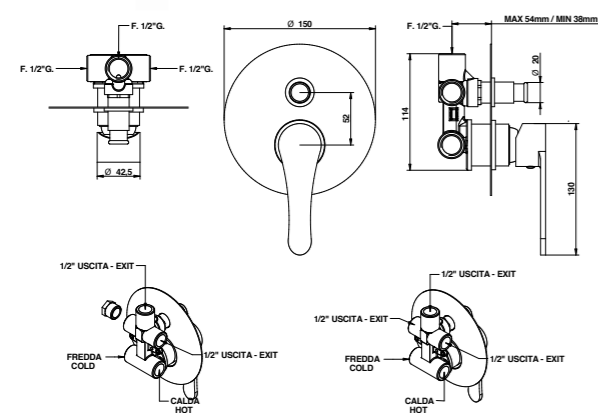
* XX: Per tutte le altre finiture fattibili riferirsi a questa fascia di prezzo. / Refer to this line of price for all other realizable finishes.

Non disponibile in TT - BU - ON - BM / Not available TT - BU - ON - BM

PROLUNGA / MIXER EXTENSION
00100CRPRR
OPTIONAL: Scatola incasso per cartongesso / Built-in box for drywall and cavity wall **09702PBOX****RICAMBI / SPARE PARTS**
9813
14529/PR

Miscelatore incasso con deviatore automatico a 2 uscite.

Built-in mixer with 2 way automatic diverter.

**ARTICOLO COMPLETO / COMPLETE ITEM****14529CRPR**
CR

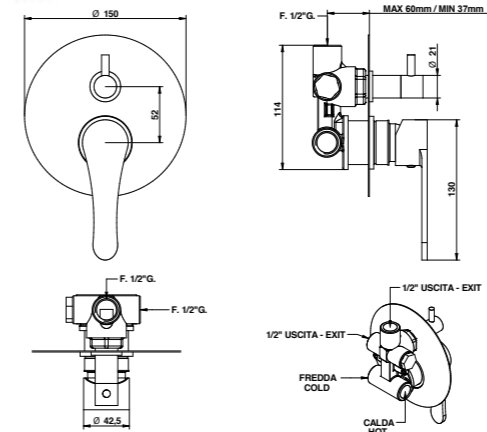
Non disponibile in altre finiture. / Not available in other finishes.

Il corpo incasso non può essere anticipato. / Built-in body cannot be delivered separately in advance.

PROLUNGA / MIXER EXTENSION
00102CRPRR
OPTIONAL: Scatola incasso per cartongesso / Built-in box for drywall and cavity wall **09702PBOX****RICAMBI / SPARE PARTS**
9813
00114CRPR
14519/PR

Miscelatore incasso con deviatore meccanico a 2 uscite.

Built-in mixer with 2 way mechanical diverter.

**ARTICOLO COMPLETO / COMPLETE ITEM****14519CRPR**
CR**PARTE INCASSO**
BUILT-IN PART**PARTE ESTERNA DA ABBINARE**
EXTERNAL MATCHING PART**FINITURE / FINISHES**

09763

14519CRPREU
CR**14519NSPREU**
NS/PL/NE/BI**14519AMPREU**
AM/NM/HM/CN**14519XXPREU ***
XX

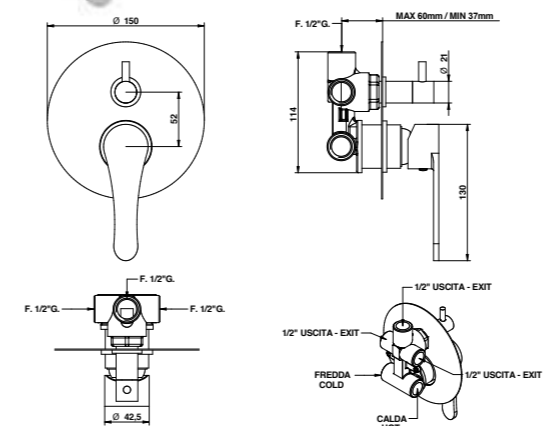
* XX: Per tutte le altre finiture fattibili riferirsi a questa fascia di prezzo. / Refer to this line of price for all other realizable finishes.

Non disponibile in TT - BU - ON - BM / Not available TT - BU - ON - BM

PROLUNGA / MIXER EXTENSION
00102CRPRP3
OPTIONAL: Scatola incasso per cartongesso / Built-in box for drywall and cavity wall **09702PBOX****RICAMBI / SPARE PARTS**
9813
9861
14519/3PR

Miscelatore incasso con deviatore meccanico a 3 uscite.

Built-in mixer with 3 way mechanical diverter.

**ARTICOLO COMPLETO / COMPLETE ITEM****14519CR03PR**
CR**PARTE INCASSO**
BUILT-IN PART**PARTE ESTERNA DA ABBINARE**
EXTERNAL MATCHING PART**FINITURE / FINISHES**

09763/3

14519CR03PREU
CR**14519NS03PREU**
NS/PL/NE/BI**14519AM03PREU**
AM/NM/HM/CN**14519XX03PREU ***
XX

* XX: Per tutte le altre finiture fattibili riferirsi a questa fascia di prezzo. / Refer to this line of price for all other realizable finishes.

Non disponibile in TT - BU - ON - BM / Not available TT - BU - ON - BM

PROLUNGA / MIXER EXTENSION
00102CRPRP3
OPTIONAL: Scatola incasso per cartongesso / Built-in box for drywall and cavity wall **09702PBOX****RICAMBI / SPARE PARTS**
9813
09860

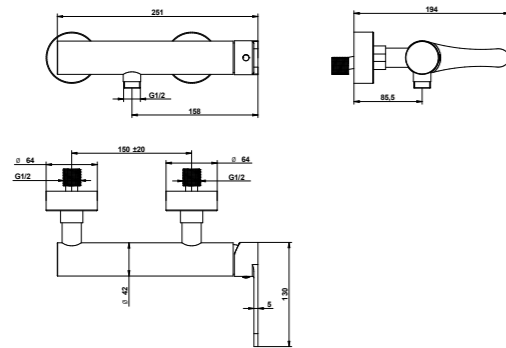
Energy Economy System su richiesta / Energy Economy System upon request

Energy Economy System su richiesta / Energy Economy System upon request

FINITURE E COLORI / FINISHES AND COLOURS**ACCESSORI E RICAMBI / ACCESSORIES AND SPARE PARTS**

14523/PR

Miscelatore doccia esterno. External shower mixer.



ARTICOLO COMPLETO / COMPLETE ITEM

14523CRPR
CR

14523NSPR
NS/PL/NE/BI

14523AMPR
AM/NM/HM/CN

14523XXPR *
XX

* XX: Per tutte le altre finiture fattibili riferirsi a questa fascia di prezzo. / Refer to this line of price for all other realizable finishes.

Non disponibile in TT - BU - ON - BM / Not available TT - BU - ON - BM

ABBINABILE A / TO MATCH WITH:
Saliscendi / Sliding rail - 14876/PR

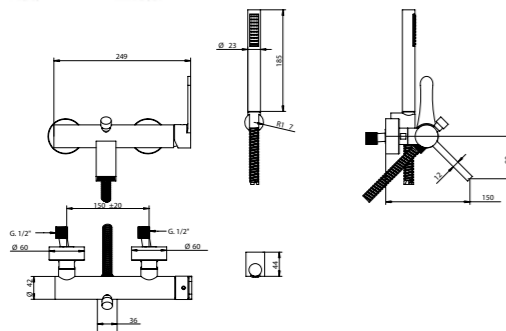
RICAMBI / SPARE PARTS

9838

14526/DPR

Miscelatore vasca esterno con set doccia. External bath mixer with shower set.

Dettaglio flessibili / Flexible details pag. 42



ARTICOLO COMPLETO / COMPLETE ITEM

14526CR0DPR
CR

14526NS0DPR *
NS/PL/NE/BI

14526CN0DPR
CN

14526XX0DPR *
XX

* Nelle varianti colore verniciate e satinare alcuni particolari saranno in finitura galvanica per garantire gli standard qualitativi. / To assure our quality standard on colored and satin product, some details remain in galvanic finishes.

* XX: Per tutte le altre finiture fattibili riferirsi a questa fascia di prezzo. / Refer to this line of price for all other realizable finishes.

Non disponibile in TT - BU - ON - BM - AM - NM - CM - IM - HM / Not available TT - BU - ON - BM - AM - NM - CM - IM - HM

RICAMBI / SPARE PARTS

9819	9972
9611CR	00850CROE
00136CR	00850XX00 *
9600XXPV □	

* Ricambio per finiture diverse dal cromo. / Spare part for different finishes.
□ Per le finiture verniciate e satinare il flessibile verrà fornito in PVC nero. / The flexible hose will be supplied in black PVC for painted and matt finishes.

Energy Economy System su richiesta / Energy Economy System upon request

FINITURE E COLORI / FINISHES AND COLOURS



14530/DPR

Gruppo vasca incasso completo con set doccia duplex e deviatore. Built-in bath & shower mixer with duplex shower set and mechanical diverter.

Dettaglio flessibili / Flexible details pag. 42



ARTICOLO COMPLETO / COMPLETE ITEM

14530CR0DPR
CR

PARTE INCASSO
BUILT-IN PART

PARTE ESTERNA DA ABBINARE
EXTERNAL MATCHING PART

9763

FINITURE / FINISHES

14530CR0DPREU
CR

14530NS0DPREU
NS/PL

14530NE0DPREU
NE/BI

14530AM0DPREU
AM/NM/HM/CN

14530XX0DPREU *
XX

* XX: Refer to this line of price for all other realizable finishes. / Refer to this line of price for all other realizable finishes.

Non disponibile in TT - BU - ON - BM / Not available TT - BU - ON - BM

PROLUNGA / MIXER EXTENSION

00102CRPRP3

OPTIONAL: Scatola incasso per cartongesso / Built-in box for drywall and cavity wall 09702PBOX

RICAMBI / SPARE PARTS

9813	9999CR
9611CR	00850CROE
9861	00850XX00 *
9600XXPV □	

* Ricambio per finiture diverse dal cromo. / Spare part for different finishes.
□ Per le finiture verniciate e satinare il flessibile verrà fornito in PVC nero. / The flexible hose will be supplied in black PVC for painted and matt finishes.

Energy Economy System su richiesta / Energy Economy System upon request

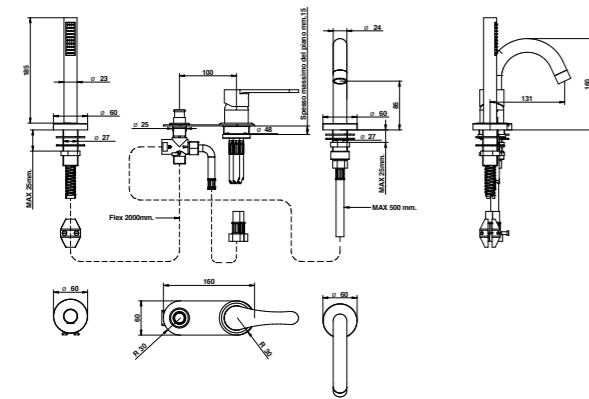
ACCESSORI E RICAMBI / ACCESSORIES AND SPARE PARTS



14531/DPR

Miscelatore bordo vasca con set doccia.

Deck bath mixer with handshower set.



ARTICOLO COMPLETO / COMPLETE ITEM

14531CR0DPR
CR

14531PL0DPR
PL/NE/BI

14531NS0DPR
NS

14531AM0DPR
AM/NM/HM/CN

14531XX0DPR *
XX

* XX: Per tutte le altre finiture fattibili riferirsi a questa fascia di prezzo. / Refer to this line of price for all other realizable finishes.

Non disponibile in TT - BU - ON - BM / Not available TT - BU - ON - BM

RICAMBI / SPARE PARTS

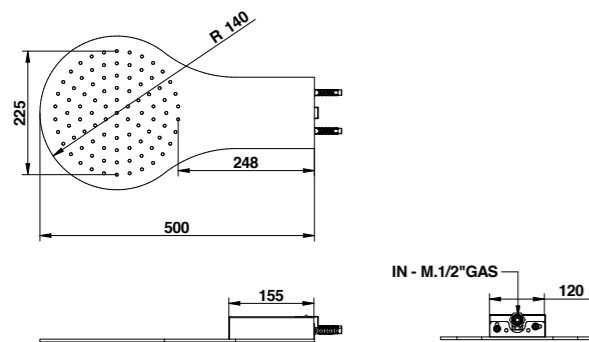
	9813		9385CR
	9606CR		00850CROE
	00127CR		00850XX00 *

* Ricambio per finiture diverse dal cromo. / Spare part for different finishes.

14889/SL

Soffione doccia tondo a parete in acciaio con funzione pioggia non ispezionabile.

Steel wall shower head with rain function not inspectionable.



ARTICOLO COMPLETO / COMPLETE ITEM

14889CRSL
CR

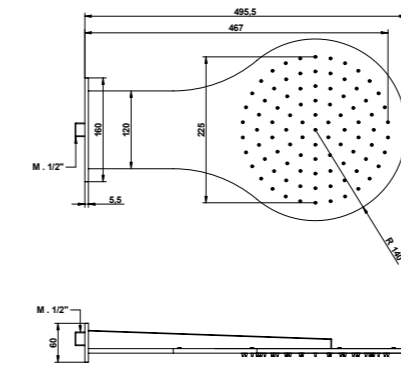
Sistema anticalcare Fast Clean. Pressione dinamica minima di utilizzo 0,5 bar. Portata a pressione dinamica 3 bar - 20 l/min. / Fast Clean shower. Minimum dynamic pressure of use 0,5 bar. Flow rates at dynamic pressure 3 bar - 20 l/min.

Non disponibile in altre finiture. / Not available in other finishes.

14889

Soffione doccia tondo a parete in acciaio con funzione pioggia ispezionabile.

Steel wall shower head with rain function inspectionable.



ARTICOLO COMPLETO / COMPLETE ITEM

14889CR00
CR

14889NE00
NE/BI

14889NS00
NS/PL

14889CN00
CN

14889XX00 *
XX

* XX: Per tutte le altre finiture fattibili riferirsi a questa fascia di prezzo. / Refer to this line of price for all other realizable finishes.

Sistema anticalcare Fast Clean. Pressione dinamica minima di utilizzo 0,5 bar. Portata a pressione dinamica: uscita doccia 3 bar - 15 l/min. / Fast Clean shower. Minimum dynamic pressure of use 0,5 bar. Flow rates at dynamic pressure: rain exit 3 bar - 15 l/min.

Non disponibile in TT - BU - ON - BM - AM - NM - CM - IM - HM - OM / Not available TT - BU - ON - BM - AM - NM - CM - IM - HM - OM

Energy Economy System su richiesta / Energy Economy System upon request

FINITURE E COLORI / FINISHES AND COLOURS



Energy Economy System su richiesta / Energy Economy System upon request

ACCESSORI E RICAMBI / ACCESSORIES AND SPARE PARTS



T·UBE

DESIGN BY FEDERICO ROSSI

#UNCONVENTIONAL



1

MAKE THE
DIF F E R E N C E

T·UBE



IRONIA CONTEMPORANEA

Contemporary irony

Essenziale e minimalista T.UBE abita il contemporaneo con personalità creativa. Le linee e le rifiniture colorate ne fanno un complemento d'arredo giocoso, adatto a inserirsi in ambienti pop che rileggono il mondo con ironia.

Essential and minimalist, T.UBE inhabits the contemporary with creative personality. Its coloured lines and finishes make it a playful furnishing item suitable to decorate pop-art environments that reinterpret the world with a sense of irony.



#SIMPLY
CREATIVE

1. Art. 64532CRRSPR



LAVABO / WASHBASIN
Art. 68439RSPR

**COLONNA DOCCIA /
SHOWER COLUMN**
Art. 32131BIRS

DOCCIA / SHOWER
Art. 68524BIPR
Art. 00936BI03
Art. 00888CRC3
Art. 00893CR00

ARREDI / FURNITURE
Art. 00067RS00
Art. 30007RS40
Art. DR201NE00
Art. DR200NE00
Art. S1306BI20

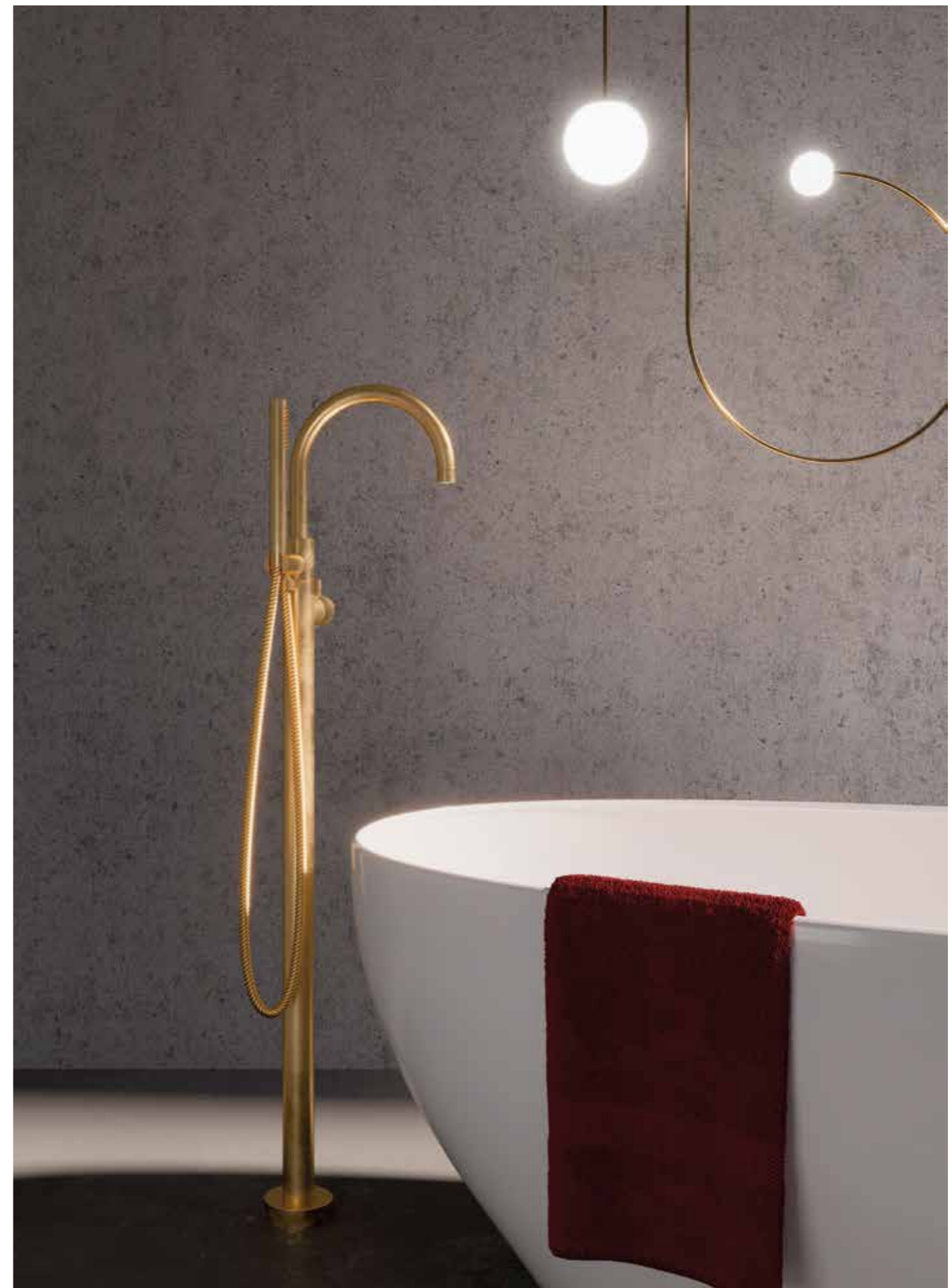
#UNIQUE ATMOSPHERE



LAVABO / WASHBASIN
Art. 68439RSPR
Art. 64521CRCRPR

ARREDI / FURNITURE
Art. 30007RS40
Art. 30023RS

DOCCIA / SHOWER
Art. 64634/ODPR





Art. 64532CRRSPR



#DETAIL SHOUTS

LAVABO / WASHBASIN
Art. 64521CRCRPR



INFORMAZIONI TECNICHE

Technical details



CARTUCCIA: La serie Tube è dotata di diverse tipologie di cartucce: cartuccia \varnothing 25 mm e cartuccia \varnothing 35 mm senza distributore. La temperatura d'impianto non deve superare i 70°C. La pressione di esercizio dell'impianto consigliata è di 3 bar.

EROGAZIONE: La serie Tube ha un tipo di erogazione morbida. **I lavabi e i bidet sono forniti con limitatore di portata da 6 l/m.**

SISTEMI DI DEVIAZIONE: I deviatori Bongio sono testati per funzionare da un minimo di 0,5 bar pressione.

INSTALLAZIONE: Tutti gli articoli ad incasso Bongio completi sono forniti di relative parti incasso.

Gli articoli doccia e vasca esterni hanno un interasse di 15 \pm 20 mm.

Per gli articoli lavabo e bidet, monoforo e tre fori, da installarsi su piano, devono essere realizzati fori \varnothing 35 mm massimo.

CARTRIDGE: Tube series uses different kind of cartridges: \varnothing 25 mms and \varnothing 35 mms without distributor.

The temperature of the plant must not exceed 70°. The ideal working pressure of the plant is 3 bar.

SUPPLY: Tube series has a soft supply. **Basin and bidet mixers have a standard limitation of flow to 6 l/m which reduces the water waste.**

DIVERTING SYSTEMS: Bongio diverters have been tested to work properly starting from a minimum 0,5 bar pressure.

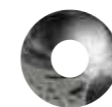
INSTALLATION: All the built-in Bongio items are available with universal raw built-in body.

All the external shower and bath mixers have the 15 \pm 20 mms interaxe.

For the basin and bidet mixers - single or three holes - to be place on top deck, they require \varnothing 35 mms maximum holes.

FINITURE E COLORI / FINISHES AND COLOURS

DETTAGLI / MORE INFO PAG. 38



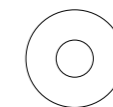
CR
Cromo
Chrome



NS
Nichel Spazzolato
Brushed Nickel



NE
Nero Opaco
Matt Black
(RAL 9005)



BI
Bianco Opaco
Matt White



RS
Rosso
Red
(RAL 3000)



SB
Fragola
Strawberry
(RAL 4010)



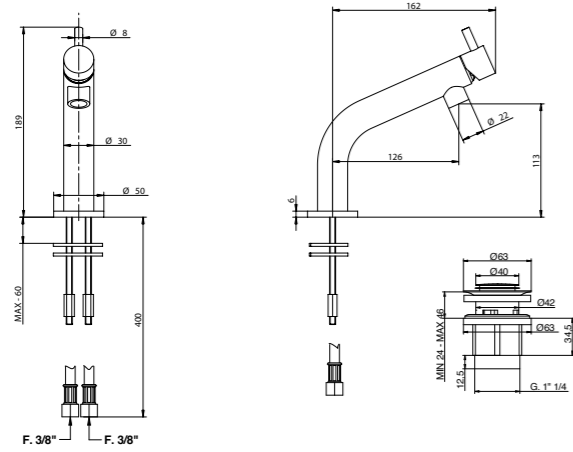
LI
Lime



SS
Supersky
(RAL 5015)

64521/PR

Miscelatore lavabo con piletta clic-clac in ottone. Basin mixer with clic-clac waste.



ARTICOLO COMPLETO / COMPLETE ITEM

64521CRCRPR
CRCR/CRRS/CRSS/CRBI/CRNE/CRLI/CRSB

64521NENEPR
NENE/BIBI

64521NSNSPR
NSNS

64521XXXXPR *
XXXX

* XXXX: Per tutte le altre finiture monocromatiche (es. OROR) fattibili riferirsi a questa fascia di prezzo. / Refer to this line of price for all other realizable monochrome finishes.

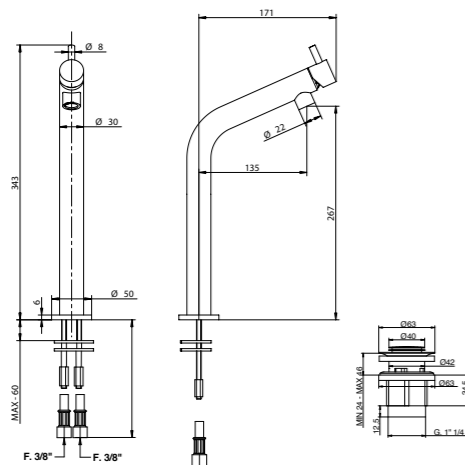
ABBINABILE A / TO MATCH WITH:
Sifone / Siphon - **00067CR00**

RICAMBI / SPARE PARTS

	9870		9983
--	-------------	--	-------------

64532/PR

Miscelatore lavabo alto girevole con piletta clic-clac in ottone. High swivel basin mixer with clic-clac waste.



ARTICOLO COMPLETO / COMPLETE ITEM

64532CRCRPR
CRCR/CRRS/CRSS/CRBI/CRNE/CRLI/CRSB

64532NENEPR
NENE/BIBI

64532NSNSPR
NSNS

64532XXXXPR *
XXXX

* XXXX: Per tutte le altre finiture monocromatiche (es. OROR) fattibili riferirsi a questa fascia di prezzo. / Refer to this line of price for all other realizable monochrome finishes.

ABBINABILE A / TO MATCH WITH:
Sifone / Siphon - **00067CR00**

RICAMBI / SPARE PARTS

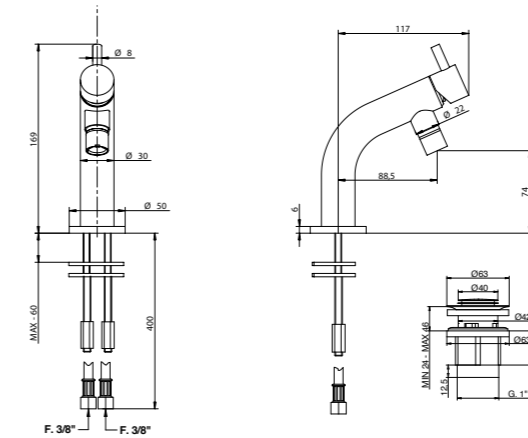
	9870		9983
--	-------------	--	-------------

FINITURE E COLORI / FINISHES AND COLOURS



64522/PR

Miscelatore bidet con piletta clic-clac in ottone. Bidet mixer with clic-clac waste.



ARTICOLO COMPLETO / COMPLETE ITEM

64522CRCRPR
CRCR/CRRS/CRSS/CRBI/CRNE/CRLI/CRSB

64522NENEPR
NENE/BIBI

64522NSNSPR
NSNS

64522XXXXPR *
XXXX

* XXXX: Per tutte le altre finiture monocromatiche (es. OROR) fattibili riferirsi a questa fascia di prezzo. / Refer to this line of price for all other realizable monochrome finishes.

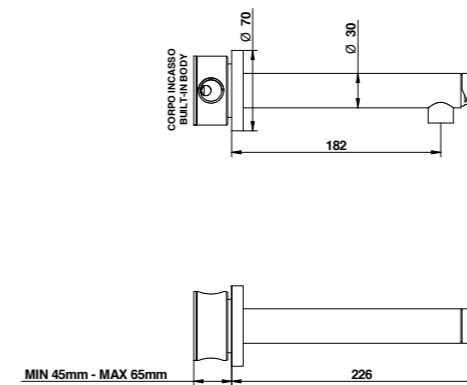
ABBINABILE A / TO MATCH WITH:
Sifone / Siphon - **00066CR00**

RICAMBI / SPARE PARTS

	9870		9370
--	-------------	--	-------------

64439/PR

Miscelatore lavabo incasso 226 mm con miscelatore tradizionale incluso nella bocca. Wall basin mixer 226 mm. with mixer placed in the spout.



ARTICOLO COMPLETO / COMPLETE ITEM

64439CRCRPR
CRCR/CRRS/CRSS/CRBI/CRNE/CRLI/CRSB

PARTE INCASSO BUILT-IN PART	PARTE ESTERNA DA ABBINARE EXTERNAL MATCHING PART
---------------------------------------	--

09695

FINITURE / FINISHES

64439CRCRPREU
CRCR/CRRS/CRSS/CRBI/CRNE/CRLI/CRSB

64439NENEPREU
NENE/BIBI

64439NSNSPREU
NSNS

64439XXXXPREU *
XXXX

* XXXX: Per tutte le altre finiture monocromatiche (es. OROR) fattibili riferirsi a questa fascia di prezzo. / Refer to this line of price for all other realizable monochrome finishes.

ABBINABILE A / TO MATCH WITH:
Sifone / Siphon - **00067CR00**
Piletta clic-clac / Clic-clac waste - **00079CRPR**

RICAMBI / SPARE PARTS

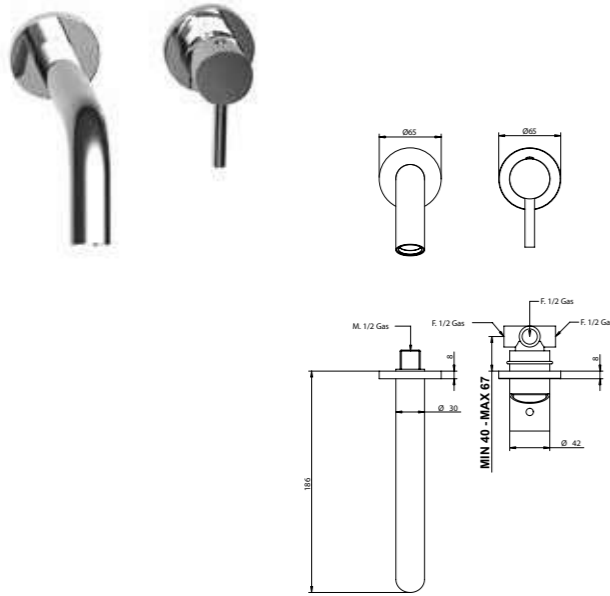
	9870		9372
--	-------------	--	-------------

ACCESSORI E RICAMBI / ACCESSORIES AND SPARE PARTS



64538/PR

Miscelatore lavabo incasso con bocca 194 mm. Built-in basin mixer with 194 mms. spout.

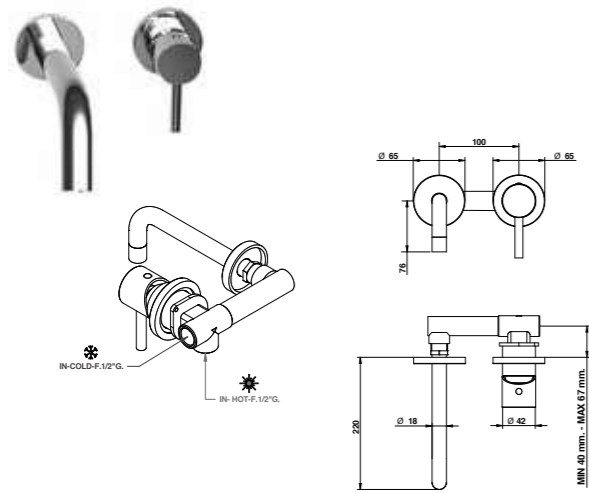


RICAMBI / SPARE PARTS



64538/2APR

Miscelatore lavabo incasso con bocca 220 mm completo di connessioni incasso. Built-in basin mixer with 220 mms.spout complete with built-in connections.



OPTIONAL: Scatola incasso per cartongesso / Built-in box for drywall and cavity wall **09702PBOX**

RICAMBI / SPARE PARTS



FINITURE E COLORI / FINISHES AND COLOURS



ARTICOLO COMPLETO / COMPLETE ITEM

64538CRCRPR
CRCR/CRRS/CRSS/CRBI/CRNE/CRLI/CRSB

PARTE INCASSO / BUILT-IN PART
PARTE ESTERNA DA ABBINARE / EXTERNAL MATCHING PART

FINITURE / FINISHES

09761

64538CRCRPREU
CRCR/CRRS/CRSS/CRBI/
CRNE/CRLI/CRSB

64538NENEPREU *
NENE/BIBI

64538NSNSPREU
NSNS

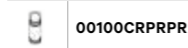
64538XXXXPREU □
XXXX

* Nelle varianti colore verniciate e satinare alcuni particolari saranno in finitura galvanica per garantire gli standard qualitativi. / To assure our quality standard on colored and satin product, some details remain in galvanic finishes.

□ XXXX: Per tutte le altre finiture monocromatiche (es. OROR) fattibili riferirsi a questa fascia di prezzo. / Refer to this line of price for all other realizable monochrome finishes.

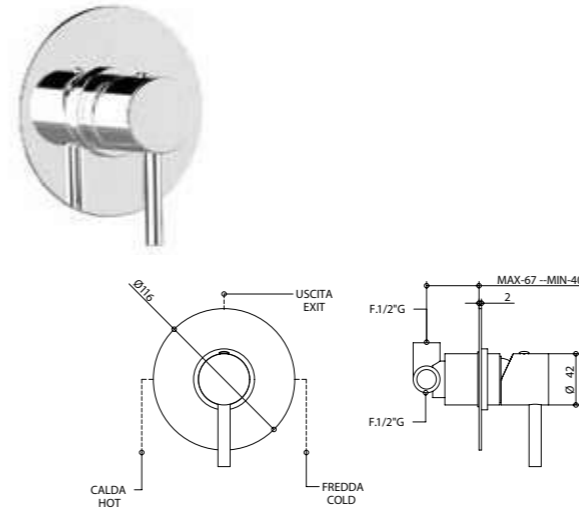
ABBINABILE A / TO MATCH WITH:
Sifone / Siphon - **00067CR00**
Piletta clic-clac / Clic-clac waste - **00079CRPR**

PROLUNGA / MIXER EXTENSION



64524/PR

Miscelatore incasso. Built-in mixer.



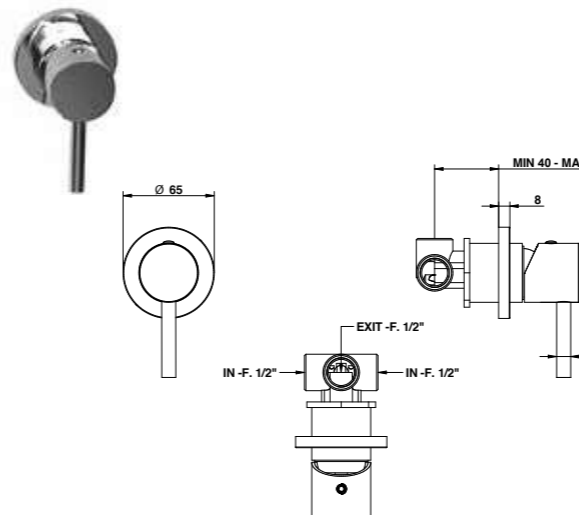
OPTIONAL: Scatola incasso per cartongesso / Built-in box for drywall and cavity wall **09702PBOX**

RICAMBI / SPARE PARTS



64524/RPPR

Miscelatore incasso. Built-in mixer.



OPTIONAL: Scatola incasso per cartongesso / Built-in box for drywall and cavity wall **09702PBOX**

RICAMBI / SPARE PARTS



ACCESSORI E RICAMBI / ACCESSORIES AND SPARE PARTS



ARTICOLO COMPLETO / COMPLETE ITEM

64524CRCRPR
CRCR/CRRS/CRSS/CRBI/CRNE/CRLI/CRSB

PARTE INCASSO / BUILT-IN PART
PARTE ESTERNA DA ABBINARE / EXTERNAL MATCHING PART

FINITURE / FINISHES

09761

64524CRCRPREU
CRCR/CRRS/CRSS/CRBI/
CRNE/CRLI/CRSB

64524NENEPREU *
NENE/BIBI

64524NSNSPREU
NSNS

64524XXXXPREU □
XXXX

* Nelle varianti colore verniciate e satinare alcuni particolari saranno in finitura galvanica per garantire gli standard qualitativi. / To assure our quality standard on colored and satin product, some details remain in galvanic finishes.

□ XXXX: Per tutte le altre finiture monocromatiche (es. OROR) fattibili riferirsi a questa fascia di prezzo. / Refer to this line of price for all other realizable monochrome finishes.

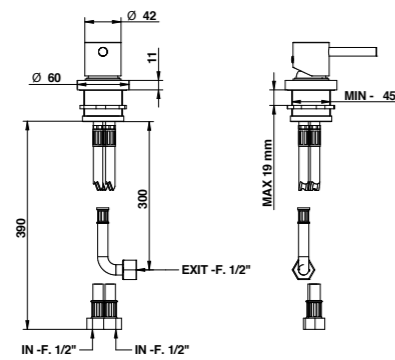
PROLUNGA / MIXER EXTENSION



64510/PR

Miscelatore bordo piano.

Mixer for deck installation.



ARTICOLO COMPLETO / COMPLETE ITEM

64510CRCRPR
 CRCR/CRRS/CRSS/CRBI/CRNE/CRLI/CRSB

64510NENEPR *
 NENE/BIBI

64510NSNSPR
 NSNS

64510XXXXPR □
 XXXX

* Nelle varianti colore verniciate e satinare alcuni particolari saranno in finitura galvanica per garantire gli standard qualitativi. / To assure our quality standard on colored and satin product, some details remain in galvanic finishes.

□ XXXX: Per tutte le altre finiture monocromatiche (es. OROR) fattibili riferirsi a questa fascia di prezzo. / Refer to this line of price for all other realizable monochrome finishes.

RICAMBI / SPARE PARTS

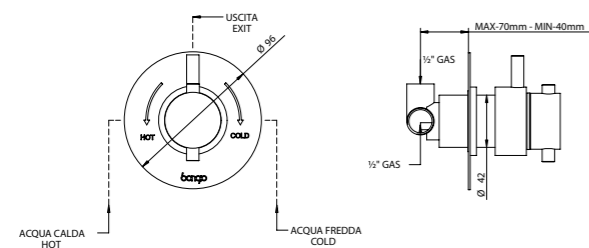


9813

64544/PR

Miscelatore termostatico incasso coassiale.

Coaxial built-in thermostatic mixer.



ARTICOLO COMPLETO / COMPLETE ITEM

64544CRCRPR
 CRCR/CRRS/CRSS/CRBI/CRNE/CRLI/CRSB

64544NENEPR *
 NENE/BIBI

64544NSNSPR
 NSNS

64544XXXXPR □
 XXXX

* Nelle varianti colore verniciate e satinare alcuni particolari saranno in finitura galvanica per garantire gli standard qualitativi. / To assure our quality standard on colored and satin product, some details remain in galvanic finishes.

□ XXXX: Per tutte le altre finiture monocromatiche (es. OROR) fattibili riferirsi a questa fascia di prezzo. / Refer to this line of price for all other realizable monochrome finishes.

Portata a pressione dinamica 3 bar - 32 l/min - 38° Mix / Flow rates at dynamic pressure 3 bar - 32 l/min - 38° Mix

Il corpo incasso non può essere anticipato. / Built-in body cannot be delivered separately in advance.

PROLUNGA / MIXER EXTENSION



00107CRPR

OPTIONAL: Scatola incasso per cartongesso / Built-in box for drywall and cavity wall **09702PBOX**

RICAMBI / SPARE PARTS



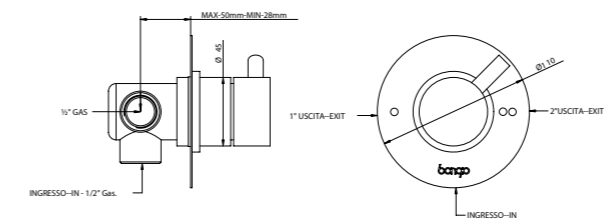
9811

FINITURE E COLORI / FINISHES AND COLOURS



64525/2PR

Deviatore 2-vie (1 entrata - 2 uscite). 2-way diverter (1 in - 2 out).



ARTICOLO COMPLETO / COMPLETE ITEM

64525CRCR02PR
 CRCR/CRRS/CRSS/CRBI/CRNE/CRLI/CRSB

PARTE INCASSO
 BUILT-IN PART

PARTE ESTERNA DA ABBINARE
 EXTERNAL MATCHING PART

9491/2

FINITURE / FINISHES

64525CRCR02PREU
 CRCR/CRRS/CRSS/CRBI/CRNE/CRLI/CRSB

64525NENE02PREU
 NENE/BIBI

64525NSNS02PREU
 NSNS

64525XXXX02PREU *
 XXXX

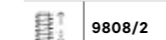
* XXXX: Per tutte le altre finiture monocromatiche (es. OROR) fattibili riferirsi a questa fascia di prezzo. / Refer to this line of price for all other realizable monochrome finishes.

PROLUNGA / MIXER EXTENSION



00109CRPR

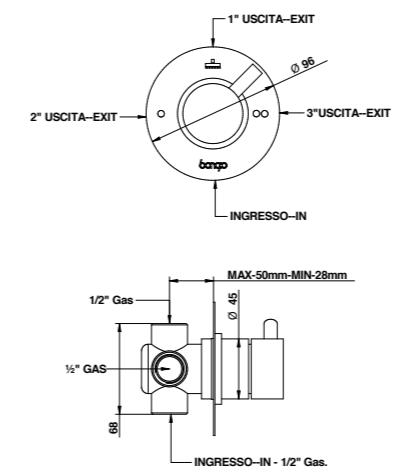
RICAMBI / SPARE PARTS



9808/2

64525/3PR

Deviatore 3-vie (1 entrata - 3 uscite). 3-ways diverter (1 in - 3 out).



ARTICOLO COMPLETO / COMPLETE ITEM

64525CRCR03PR
 CR

PARTE INCASSO
 BUILT-IN PART

PARTE ESTERNA DA ABBINARE
 EXTERNAL MATCHING PART

9494

FINITURE / FINISHES

64525CRCR03PREU
 CRCR/CRRS/CRSS/CRBI/CRNE/CRLI/CRSB

64525NENE03PREU
 NENE/BIBI

64525NSNS03PREU
 NSNS

64525XXXX03PREU *
 XXXX

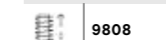
* XXXX: Per tutte le altre finiture monocromatiche (es. OROR) fattibili riferirsi a questa fascia di prezzo. / Refer to this line of price for all other realizable monochrome finishes.

PROLUNGA / MIXER EXTENSION



00109CRPR

RICAMBI / SPARE PARTS



9808

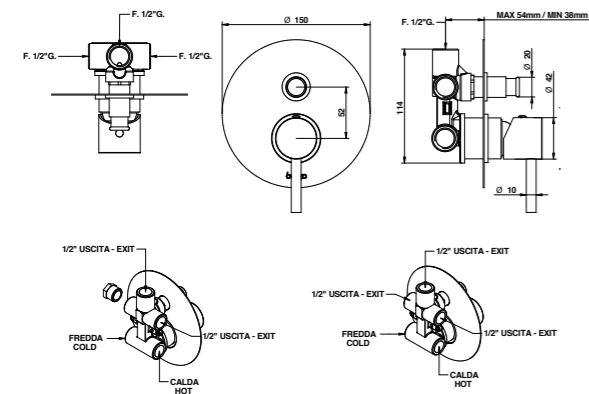
ACCESSORI E RICAMBI / ACCESSORIES AND SPARE PARTS



64529/PR

Miscelatore incasso con deviatore automatico a 2 uscite.

Built-in mixer with 2 way automatic diverter.



ARTICOLO COMPLETO / COMPLETE ITEM

64529CRCRPR
CRCR/CRRS/CRSS/CRBI/CRNE/CRLI/CRSB

Non disponibile in altre finiture. / Not available in other finishes.

Il corpo incasso non può essere anticipato. / Built-in body cannot be delivered separately in advance.

PROLUNGA / MIXER EXTENSION

00102CRPRR

OPTIONAL: Scatola incasso per cartongesso / Built-in box for drywall and cavity wall **09702PBOX**

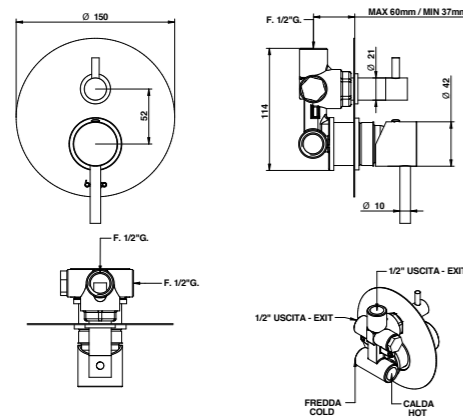
RICAMBI / SPARE PARTS

9813 **00114CRPR**

64519/PR

Miscelatore incasso con deviatore meccanico a 2 uscite.

Built-in mixer with 2 way mechanical diverter.



ARTICOLO COMPLETO / COMPLETE ITEM

64519CRCRPR
CR

PARTE INCASSO / BUILT-IN PART **PARTE ESTERNA DA ABBINARE** / EXTERNAL MATCHING PART

09763

FINITURE / FINISHES

64519CRCRPREU
CRCR/CRRS/CRSS/CRBI/CRNE/CRLI/CRSB

64519NENEPREU *
NENE/BIBI

64519NSNSPREU
NSNS

64519XXXXPREU □
XXXX

* Nelle varianti colore verniciate e satinare alcuni particolari saranno in finitura galvanica per garantire gli standard qualitativi. / To assure our quality standard on colored and satin product, some details remain in galvanic finishes.

□ XXXX: Per tutte le altre finiture monocromatiche (es. OROR) fattibili riferirsi a questa fascia di prezzo. / Refer to this line of price for all other realizable monochrome finishes.

PROLUNGA / MIXER EXTENSION

00102CRPRP3

OPTIONAL: Scatola incasso per cartongesso / Built-in box for drywall and cavity wall **09702PBOX**

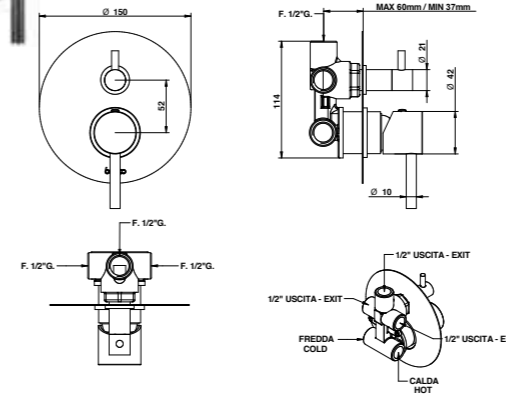
RICAMBI / SPARE PARTS

9813 **9861**

64519/3PR

Miscelatore incasso con deviatore meccanico a 3 uscite.

Built-in mixer with 3 exits mechanical diverter.



PROLUNGA / MIXER EXTENSION

00102CRPRP3

ARTICOLO COMPLETO / COMPLETE ITEM

64519CRCR03PR
CR

PARTE INCASSO / BUILT-IN PART **PARTE ESTERNA DA ABBINARE** / EXTERNAL MATCHING PART

09763/3

FINITURE / FINISHES

64519CRCR03PREU
CRCR/CRRS/CRSS/CRBI/CRNE/CRLI/CRSB

64519NENE03PREU *
NENE/BIBI

64519NSNS03PREU
NSNS

64519XXXX03PREU □
XXXX

* Nelle varianti colore verniciate e satinare alcuni particolari saranno in finitura galvanica per garantire gli standard qualitativi. / To assure our quality standard on colored and satin product, some details remain in galvanic finishes.

□ XXXX: Per tutte le altre finiture monocromatiche (es. OROR) fattibili riferirsi a questa fascia di prezzo. / Refer to this line of price for all other realizable monochrome finishes.

OPTIONAL: Scatola incasso per cartongesso / Built-in box for drywall and cavity wall **09702PBOX**

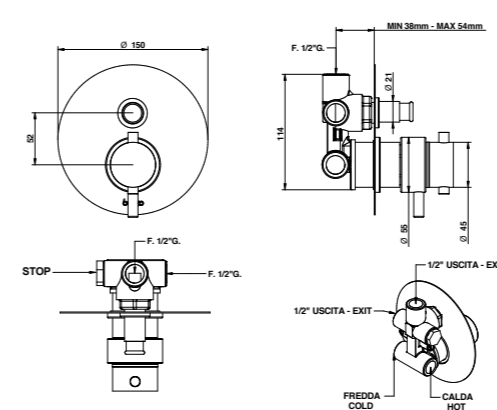
RICAMBI / SPARE PARTS

9813 **09860**

64549/PR

Miscelatore termostatico incasso coassiale con deviatore automatico a 2 uscite.

Coaxial built-in thermostatic mixer with 2 way automatic diverter.



ARTICOLO COMPLETO / COMPLETE ITEM

64549CRCRPR
CRCR/CRRS/CRSS/CRBI/CRNE/CRLI/CRSB

64549NENEPR *
NENE/BIBI

64549NSNSPR
NSNS

64549XXXXPR □
XXXX

* Nelle varianti colore verniciate e satinare alcuni particolari saranno in finitura galvanica per garantire gli standard qualitativi. / To assure our quality standard on colored and satin product, some details remain in galvanic finishes.

□ XXXX: Per tutte le altre finiture monocromatiche (es. OROR) fattibili riferirsi a questa fascia di prezzo. / Refer to this line of price for all other realizable monochrome finishes.

Portata a pressione dinamica 3 bar - 20,5 l/min - 38° Mix / Flow rates at dynamic pressure 3 bar - 20,5 l/min - 38° Mix

Il corpo incasso non può essere anticipato. / Built-in body cannot be delivered separately in advance.

PROLUNGA / MIXER EXTENSION

00108CRPRR

OPTIONAL: Scatola incasso per cartongesso / Built-in box for drywall and cavity wall **09702PBOX**

RICAMBI / SPARE PARTS

9811 **00114CRPR**

FINITURE E COLORI / FINISHES AND COLOURS

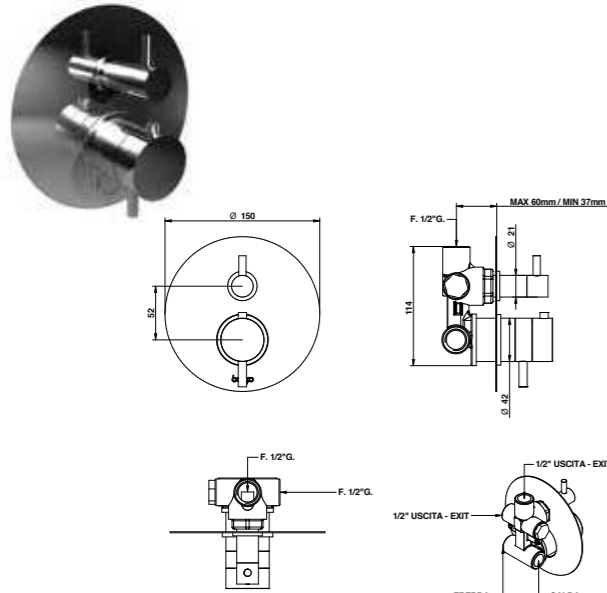


ACCESSORI E RICAMBI / ACCESSORIES AND SPARE PARTS



64569/PR

Termostatico incasso coassiale con deviatore meccanico 2 uscite. Coaxial built-in thermostatic mixer with 2 way mechanical diverter.

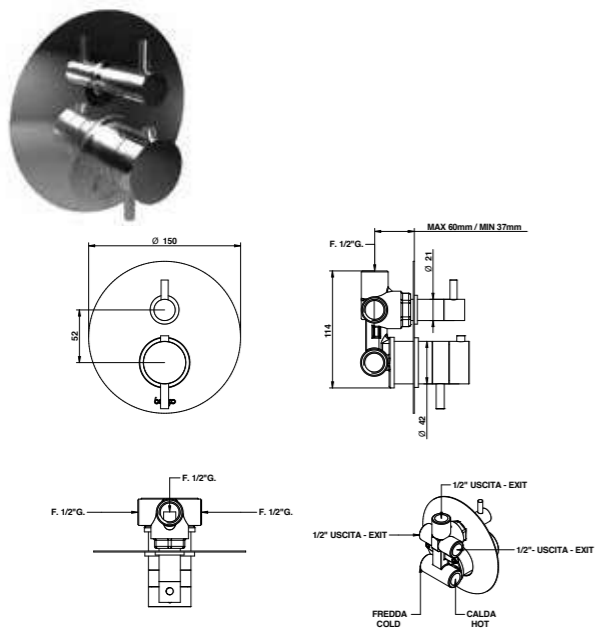


PROLUNGA / MIXER EXTENSION

00102CRPRP3

64569/3PR

Miscelatore termostatico incasso coassiale con deviatore meccanico a 3 uscite. Coaxial built-in thermostatic mixer with 3 way mechanical diverter.



FINITURE E COLORI / FINISHES AND COLOURS



ARTICOLO COMPLETO / COMPLETE ITEM

64569CRCRPR
CR

PARTE INCASSO BUILT-IN PART | **PARTE ESTERNA DA ABBINARE** EXTERNAL MATCHING PART

09766

FINITURE / FINISHES

64569CRCRPREU
CRCR/CRRS/CRSS/CRBI/
CRNE/CRLI/CRSB

64569NENEPREU *
NENE/BIBI

64569NSNSPREU
NSNS

64569XXXXPREU □
XXXX

* Nelle varianti colore verniciate e satinare alcuni particolari saranno in finitura galvanica per garantire gli standard qualitativi. / To assure our quality standard on colored and satin product, some details remain in galvanic finishes.

□ XXXX: Per tutte le altre finiture monocromatiche (es. OROR) fattibili riferirsi a questa fascia di prezzo. / Refer to this line of price for all other realizable monochrome finishes.

Portata a pressione dinamica 3 bar - 17 l/min - 38° Mix / Flow rates at dynamic pressure 3 bar - 17 l/min - 38° Mix

OPTIONAL: Scatola incasso per cartongesso / Built-in box for drywall and cavity wall **09702PBOX**

RICAMBI / SPARE PARTS

9250 | 09861

ARTICOLO COMPLETO / COMPLETE ITEM

64569CRCR03PR
CR

PARTE INCASSO BUILT-IN PART | **PARTE ESTERNA DA ABBINARE** EXTERNAL MATCHING PART

09766/03

FINITURE / FINISHES

64569CRCR03PREU
CRCR/CRRS/CRSS/CRBI/
CRNE/CRLI/CRSB

64569NENE03PREU *
NENE/BIBI

64569NSNS03PREU
NSNS

64569XXXX03PREU □
XXXX

* Nelle varianti colore verniciate e satinare alcuni particolari saranno in finitura galvanica per garantire gli standard qualitativi. / To assure our quality standard on colored and satin product, some details remain in galvanic finishes.

□ XXXX: Per tutte le altre finiture monocromatiche (es. OROR) fattibili riferirsi a questa fascia di prezzo. / Refer to this line of price for all other realizable monochrome finishes.

PROLUNGA / MIXER EXTENSION

00102CRPRP3

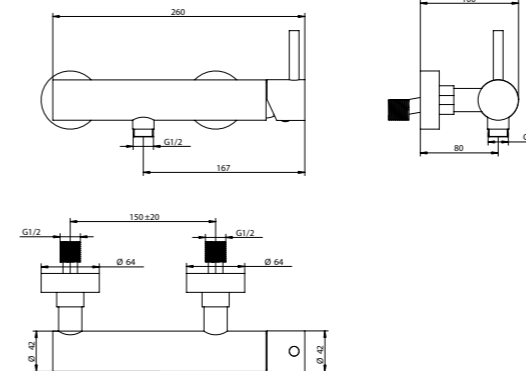
OPTIONAL: Scatola incasso per cartongesso / Built-in box for drywall and cavity wall **09702PBOX**

RICAMBI / SPARE PARTS

9250 | 09860

64523/PR

Miscelatore doccia esterno. External shower mixer.



ARTICOLO COMPLETO / COMPLETE ITEM

64523CRCRPR
CRCR/CRRS/CRSS/CRBI/CRNE/CRLI/CRSB

64523NENEPR
NENE/BIBI

64523NSNSPR
NSNS

64523XXXXPR *
XXXX

* XXXX: Per tutte le altre finiture monocromatiche (es. OROR) fattibili riferirsi a questa fascia di prezzo. / Refer to this line of price for all other realizable monochrome finishes.

ABBINABILE A / TO MATCH WITH:
Saliscendi / Sliding rail - **870**

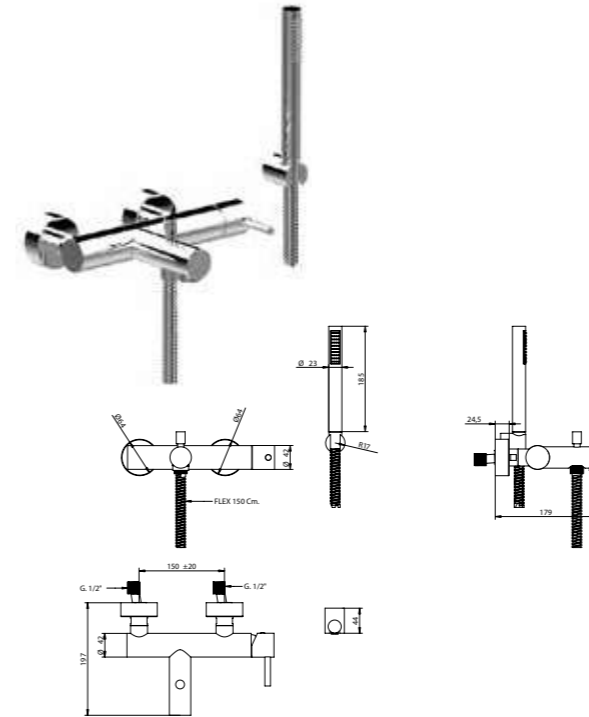
RICAMBI / SPARE PARTS

9838

64526/DPR

Miscelatore vasca esterno con set doccia. External bath mixer with shower set.

Dettaglio flessibili / Flexible details pag. 42



ARTICOLO COMPLETO / COMPLETE ITEM

64526CRCR0DPR
CRCR/CRRS/CRSS/CRBI/CRNE/CRLI/CRSB

64526NENE0DPR *
NENE/BIBI

64526NSNS0DPR
NSNS

64526XXXX0DPR □
XXXX

* Nelle varianti colore verniciate e satinare alcuni particolari saranno in finitura galvanica per garantire gli standard qualitativi. / To assure our quality standard on colored and satin product, some details remain in galvanic finishes.

□ XXXX: Per tutte le altre finiture monocromatiche (es. OROR) fattibili riferirsi a questa fascia di prezzo. / Refer to this line of price for all other realizable monochrome finishes.

RICAMBI / SPARE PARTS

9871	9972
9611CR	00850CROE
00136CR	00850XX00 *
9600XXPV □	

* Ricambio per finiture diverse dal cromo. / Spare part for different finishes.
□ Per le finiture verniciate e satinare il flessibile verrà fornito in PVC nero. / The flexible hose will be supplied in black PVC for painted and matt finishes.

ACCESSORI E RICAMBI / ACCESSORIES AND SPARE PARTS



64530/DPR

Gruppo vasca incasso con set doccia duplex e deviatore meccanico. Built-in bath and shower mixer with duplex shower set and mechanical diverter.

Dettaglio flessibili / Flexible details pag. 42



ARTICOLO COMPLETO / COMPLETE ITEM

64530CRCR0DPR
CRCR/CRRS/CRSS/CRBI/CRNE/CRLI/CRSB

PARTE INCASSO BUILT-IN PART **PARTE ESTERNA DA ABBINARE** EXTERNAL MATCHING PART

FINITURE / FINISHES

09763 **64530CRCR0DPREU**
CRCR

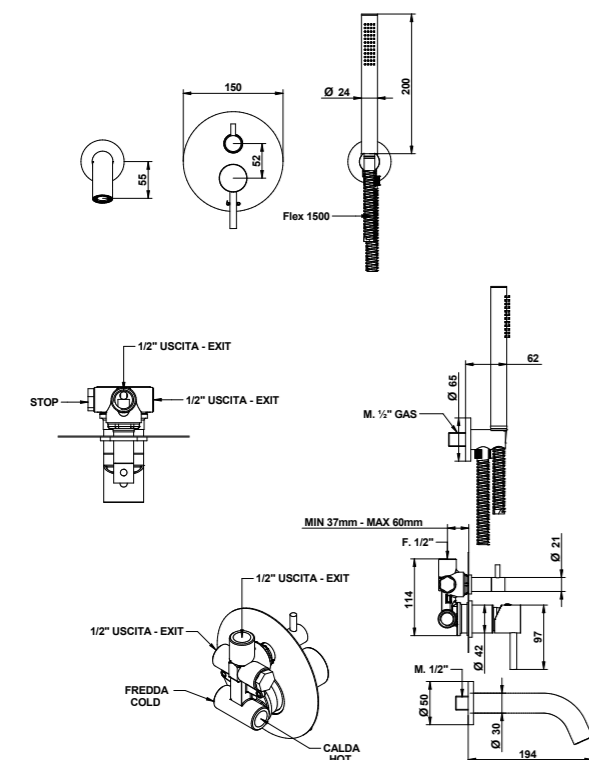
64530NENE0DPREU *
NENE/BIBI

64530NSNS0DPREU
NSNS

64530XXXX0DPREU □
XXXX

* Nelle varianti colore verniciate e satinare alcuni particolari saranno in finitura galvanica per garantire gli standard qualitativi. / To assure our quality standard on colored and satin product, some details remain in galvanic finishes.

□ XXXX: Per tutte le altre finiture monocromatiche (es. OROR) fattibili riferirsi a questa fascia di prezzo. / Refer to this line of price for all other realizable monochrome finishes.



PROLUNGA / MIXER EXTENSION

00102CRPRP3

OPTIONAL: Scatola incasso per cartongesso / Built-in box for drywall and cavity wall **09702PBOX**

RICAMBI / SPARE PARTS

	9813		9371
	9611CR		00114CRPR
	00850XX00 *		9600XXPV □

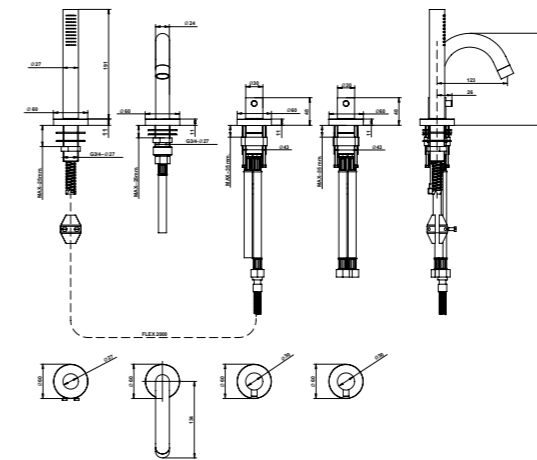
* Ricambio per finiture diverse dal cromo. / Spare part for different finishes.
□ Per le finiture verniciate e satinare il flessibile verrà fornito in PVC nero. / The flexible hose will be supplied in black PVC for painted and matt finishes.

FINITURE E COLORI / FINISHES AND COLOURS



64531/DPR

Gruppo bordo vasca quattro fori con set doccia e cartuccia progressiva. Four holes deck bath and shower mixer with shower set.



ARTICOLO COMPLETO / COMPLETE ITEM

64531CRCR0DPR
CRCR/CRRS/CRSS/CRBI/CRNE/CRLI/CRSB

64531NENE0DPR
NENE/BIBI

64531NSNS0DPR
NSNS

64531XXXX0DPR *
XXXX

* XXXX: Per tutte le altre finiture monocromatiche (es. OROR) fattibili riferirsi a questa fascia di prezzo. / Refer to this line of price for all other realizable monochrome finishes.

RICAMBI / SPARE PARTS

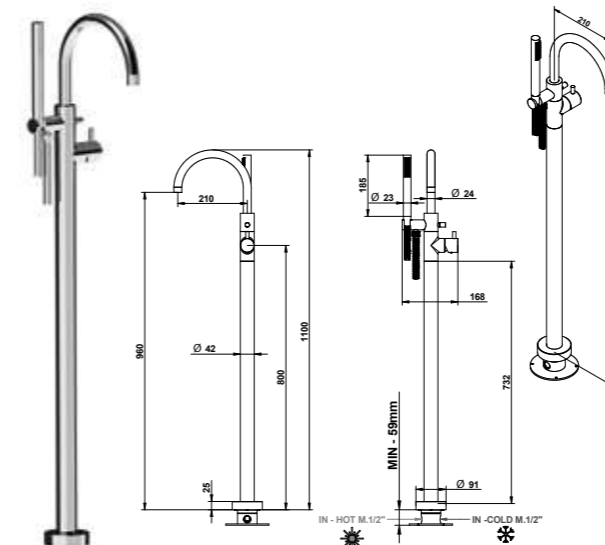
	9822		9985CR
	9606CR		00850CROE
	9821		00850XX00 *

* Ricambio per finiture diverse dal cromo. / Spare part for different finishes.

64634/DPR

Miscelatore vasca da pavimento con set doccia. Floor mounted bath mixer with shower set and diverter.

Dettaglio flessibili / Flexible details pag. 42



ARTICOLO COMPLETO / COMPLETE ITEM

64634CRCR0DPR
CR

PARTE INCASSO BUILT-IN PART **PARTE ESTERNA DA ABBINARE** EXTERNAL MATCHING PART

FINITURE / FINISHES

09744 **64634CRCR0DPREU**
CRCR/CRRS/CRSS/CRBI/CRNE/CRLI/CRSB

64634NENE0DPREU *
NENE/BIBI

64634NSNS0DPREU
NSNS

64634XXXX0DPREU □
XXXX

* Nelle varianti colore verniciate e satinare alcuni particolari saranno in finitura galvanica per garantire gli standard qualitativi. / To assure our quality standard on colored and satin product, some details remain in galvanic finishes.

□ XXXX: Per tutte le altre finiture monocromatiche (es. OROR) fattibili riferirsi a questa fascia di prezzo. / Refer to this line of price for all other realizable monochrome finishes.

RICAMBI / SPARE PARTS

	9813		9999
	9611CR		00850CROE
	00138		00850XX00 *
	9600XXPV □		

* Ricambio per finiture diverse dal cromo. / Spare part for different finishes.
□ Per le finiture verniciate e satinare il flessibile verrà fornito in PVC nero. / The flexible hose will be supplied in black PVC for painted and matt finishes.

ACCESSORI E RICAMBI / ACCESSORIES AND SPARE PARTS



ON

DESIGN CENTER DIRECTED BY
ANTONIO BONGIO



#GEOMETRIES

DESIGN

ADDICTED



#GRAPHIC



SEMPLICE CON STILE

Simple, with style

ON si fa interprete di un'eleganza minimale e fuori dal tempo in cui forma e funzione si integrano perfettamente. Le linee rotonde e morbide si intersecano dando origine a un gioco di volumi, per un total look che conferisce carattere a ogni ambiente.

ON becomes the symbol of a minimal and timeless elegance where shape and function blend seamlessly. The round and soft lines intersect producing an interplay of volumes, for a total look that will add character to any living space.

- 1. Art. 68521RBPR
- 2. Art. 68534TT0DPR
- 3. Art. DR200AN00



VASCA / BATHTUB
Art. 68534TTODPR

LAVABO / WASHBASIN
Art. 68532TTPR

BIDET / BIDET
Art. 68522TTPR

DOCCIA / SHOWER
Art. 00882TT00
Art. 00804TT30
Art. 68524TTPR
Art. 00866TT0R
Art. 00830TTB1

ACCESSORI / ACCESSORIES
Art. 44033TT00
Art. 00067TT00
Art. DR200AN00
Art. DR102TTUB



DOCCIA / SHOWER
 Art. 00882TT00
 Art. 00804TT30
 Art. 68524TTPR
 Art. 00866TTOR
 Art. 00830TTB1

ACCESSORI / ACCESSORIES
 Art. 44033TT00
 Art. 00067TT00
 Art. DR200AN00
 Art. DR102TTUB



#MATTFINISHESLOVER

CM

AM

HM

OM



LAVABO / WASHBASIN
Art. 68501CNPR



LAVABO DA TERRA / FREE STANDING WASHBASIN
Art. 68533BIPR

#SMARTLOOK



LAVABO / WASHBASIN
Art. 68532TTPR

INFORMAZIONI TECNICHE

Technical details



CARTUCCIA: La serie On è dotata di diverse tipologie di cartucce: cartuccia \varnothing 25 mm e cartuccia \varnothing 35 mm senza distributore. La temperatura d'impianto non deve superare i 70°C. La pressione di esercizio dell'impianto consigliata è di 3 bar.

EROGAZIONE: La serie On ha un tipo di erogazione morbida. **I lavabi e i bidet sono forniti con limitatore di portata da 6 l/m.**

SISTEMI DI DEVIAZIONE: I deviatori Bongio sono testati per funzionare da un minimo di 0,5 bar pressione.

INSTALLAZIONE: Tutti gli articoli ad incasso Bongio completi sono forniti di relative parti incasso.

Gli articoli doccia e vasca esterni hanno un interasse di 15±20 mm.

Per gli articoli lavabo e bidet, monoforo e tre fori, da installarsi su piano, devono essere realizzati fori \varnothing 35 mm massimo.

NOTA FINITURE FA / TT: I prodotti nelle finiture Ferro Antico (FA) e Terra di Toscana (TT) vengono realizzati con trattamenti manuali e, data la particolare lavorazione artigianale, possono presentare una colorazione non uniforme.

CARTRIDGE: On series uses different kind of cartridges: \varnothing 25 mms and \varnothing 35 mms without distributor.

The temperature of the plant must not exceed 70°. The ideal working pressure of the plant is 3 bar.

SUPPLY: On series has a soft supply. **Basin and bidet mixers have a standard limitation of flow to 6 l/m which reduces the water waste.**

DIVERTING SYSTEMS: Bongio diverters have been tested to work properly starting from a minimum 0,5 bar pressure

INSTALLATION: All the built-in Bongio items are available with universal raw built-in body.

All the external shower and bath mixers have the 15±20 mms interaxe.

For the basin and bidet mixers - single or three holes - to be place on top deck, they require \varnothing 35 mms maximum holes.

FINISHES NOTE FA / TT: Products in Ferro Antico (FA) and Terra di Toscana (TT) finish are made with manual treatments and may therefore display colour variations due to the particular craftsmanship.

FINITURE E COLORI / FINISHES AND COLOURS

DETTAGLI / MORE INFO PAG. 38



CR
Cromo
Chrome



CN
Cromo Nero
Black Chrome



NS
Nichel Spazzolato
Brushed Nickel



FA
Ferro Antico
Old Iron



TT
Terra di Toscana
Tuscany Bronze



CM
Cromo Satinato
Matt Chrome



NM
Cromo Nero Satinato
Matt Black Chrome



BU
Ottone Burattato
Hammered Brass



BM
Bronzo Opaco
Matt Bronze



AM
Oro Rosa Satinato
Matt Rose Gold



IM
Nichel Satinato
Matt Nickel



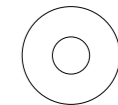
HM
Oro Francese Satinato
Matt French Gold



OM
Oro Satinato
Matt Gold



NE
Nero Opaco
Matt Black
(RAL 9005)



BI
Bianco Opaco
Matt White



WM*
Balena
Whale



RM*
Rouille
Rust



BB*
Bronzo Bianco
White Bronze

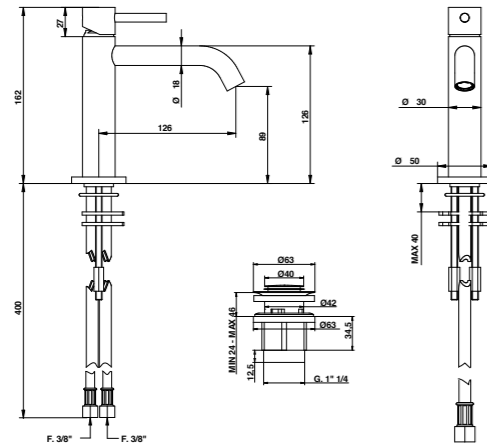


OA*
Oro Rosa
Rose Gold

* Disponibile su richiesta / Available on request

68521/PR

Miscelatore lavabo con piletta in ottone clic-clac. Basin mixer with clic-clac waste.



ARTICOLO COMPLETO / COMPLETE ITEM

68521CRPR
CR

68521BIPR
BI/NE

68521NSPR
NS/BU/BM/ON/CM/IM

68521CNPR
CN/FA

68521TTPR
TT/AM/NM/HM/OM

68521XXPR *
XX

* XX: Per tutte le altre finiture fattibili riferirsi a questa fascia di prezzo. / Refer to this line of price for all other realizable finishes.

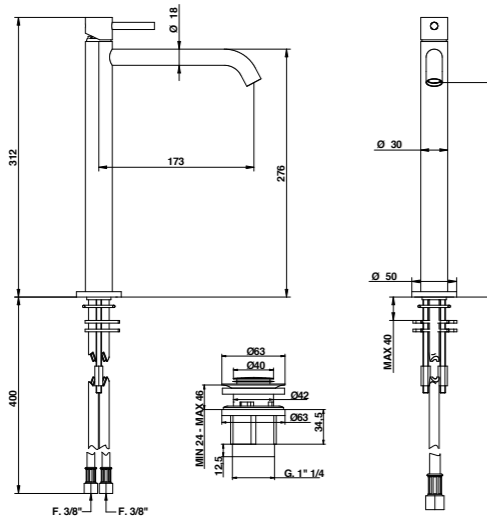
ABBINABILE A / TO MATCH WITH:
Sifone / Siphon - **00067CR00**

RICAMBI / SPARE PARTS

	9870		9392
--	------	--	------

68532/PR

Miscelatore lavabo alto con scarico clic-clac in ottone. High basin mixer with clic-clac waste.



ARTICOLO COMPLETO / COMPLETE ITEM

68532CRPR
CR

68532BIPR
BI/NE

68532NSPR
NS/BU/BM/ON/CM/IM

68532CNPR
CN/FA

68532TTPR
TT/AM/NM/HM/OM

68532XXPR *
XX

* XX: Per tutte le altre finiture fattibili riferirsi a questa fascia di prezzo. / Refer to this line of price for all other realizable finishes.

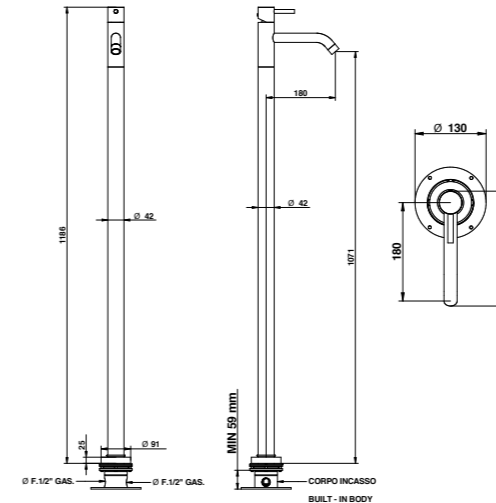
ABBINABILE A / TO MATCH WITH:
Sifone / Siphon - **00067CR00**

RICAMBI / SPARE PARTS

	9870		9392
--	------	--	------

68533/PR

Miscelatore lavabo a pavimento. Floor mounted basin mixer.



ARTICOLO COMPLETO / COMPLETE ITEM

68533CRPR
CR

PARTE INCASSO
BUILT-IN PART

PARTE ESTERNA DA ABBINARE
EXTERNAL MATCHING PART

09744

FINITURE / FINISHES

68533CRPREU
CR

68533BIPREU
BI/NE

68533NSPREU
NS/BU/BM/ON/CM/IM

68533CNPREU
CN/FA

68533TTPREU
TT/AM/NM/HM/OM

68533XXPREU *
XX

* XX: Per tutte le altre finiture fattibili riferirsi a questa fascia di prezzo. / Refer to this line of price for all other realizable finishes.

ABBINABILE A / TO MATCH WITH:

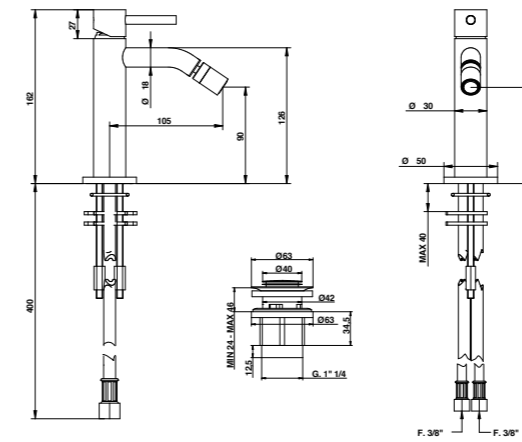
Sifone / Siphon - **00067CR00**
Piletta clic-clac / Clic-clac waste - **00079CRPR**

RICAMBI / SPARE PARTS

	9812		9996
--	------	--	------

68522/PR

Miscelatore bidet con piletta clic-clac. Bidet mixer with clic-clac waste.



ARTICOLO COMPLETO / COMPLETE ITEM

68522CRPR
CR

68522BIPR
BI/NE

68522NSPR
NS/BU/BM/ON/CM/IM

68522CNPR
CN/FA

68522TTPR
TT/AM/NM/HM/OM

68522XXPR *
XX

* XX: Per tutte le altre finiture fattibili riferirsi a questa fascia di prezzo. / Refer to this line of price for all other realizable finishes.

RICAMBI / SPARE PARTS

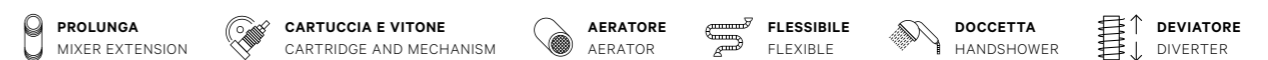
	9870		9393CR
--	------	--	--------

FINITURE E COLORI / FINISHES AND COLOURS



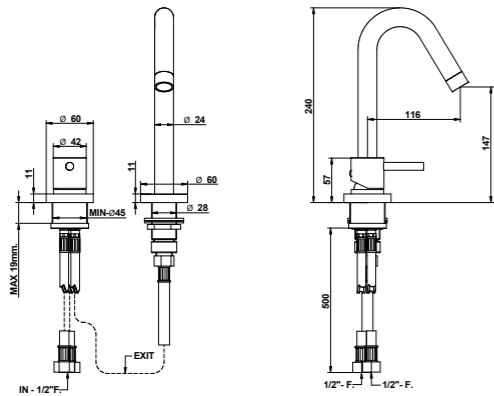
* Disponibile su richiesta / Available on demand

ACCESSORI E RICAMBI / ACCESSORIES AND SPARE PARTS



68501/PR

Gruppo lavabo bordo piano 2 fori con piletta clic-clac in ottone. Two holes basin mixer with clic-clac waste.



ARTICOLO COMPLETO / COMPLETE ITEM

- 68501CRPR**
CR
- 68501BIPR**
BI/NE
- 68501NSPR**
NS/BU/BM/ON/CM/IM
- 68501CNPR**
CN/FA
- 68501TTPR**
TT/AM/NM/HM/OM
- 68501XXPR ***
XX

* XX: Per tutte le altre finiture fattibili riferirsi a questa fascia di prezzo. / Refer to this line of price for all other realizable finishes.

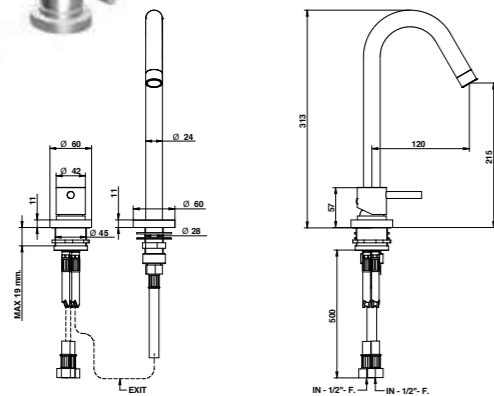
ABBINABILE A / TO MATCH WITH:
Sifone / Siphon - **00067CR00**

RICAMBI / SPARE PARTS

	9813		9999CR
--	-------------	--	---------------

68501/H NEW

Gruppo lavabo bordo piano 2 fori, con bocca alta e piletta clic-clac in ottone. Two holes basin mixer with high spout and clic-clac waste.



ARTICOLO COMPLETO / COMPLETE ITEM

- 68501CROHPR**
CR
- 68501BIOHPR**
BI/NE
- 68501NSOHPR**
NS/BU/BM/ON/CM/IM
- 68501CNOHPR**
CN/FA
- 68501TTOHPR**
TT/AM/NM/HM/OM
- 68501XXOHPR ***
XX

* XX: Per tutte le altre finiture fattibili riferirsi a questa fascia di prezzo. / Refer to this line of price for all other realizable finishes.

ABBINABILE A / TO MATCH WITH:
Sifone / Siphon - **00067CR00**

RICAMBI / SPARE PARTS

	9813		9999CR
--	-------------	--	---------------

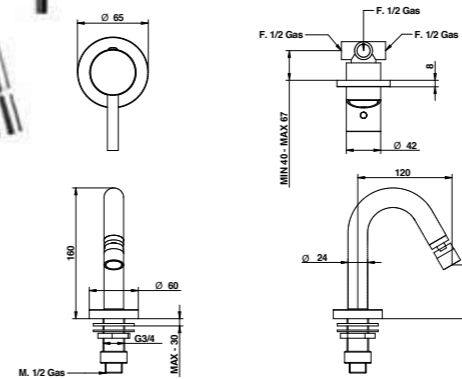
FINITURE E COLORI / FINISHES AND COLOURS



* Disponibile su richiesta / Available on demand

68503/PR

Gruppo bidet con bocca da piano, miscelatore incasso a muro e piletta clic-clac in ottone. Bidet set with deck spout, built-in mixer and clic-clac waste.



PROLUNGA / MIXER EXTENSION

00100CRPRR

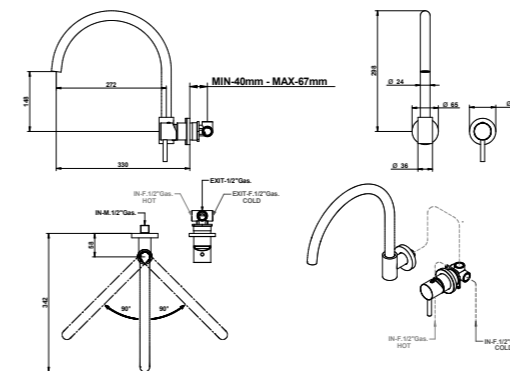
OPTIONAL: Scatola incasso per cartongesso / Built-in box for drywall and cavity wall **09702PBOX**

RICAMBI / SPARE PARTS

	9813		9980CR
--	-------------	--	---------------

68570 NEW

Gruppo lavello miscelatore a parete con bocca girevole. Wall kitchen mixer with swivel spout.



ACCESSORI E RICAMBI / ACCESSORIES AND SPARE PARTS



ARTICOLO COMPLETO / COMPLETE ITEM

68503CRPR
CR

PARTE INCASSO / BUILT-IN PART **PARTE ESTERNA DA ABBINARE / EXTERNAL MATCHING PART**

09761

FINITURE / FINISHES

- 68503CRPREU**
CR
- 68503BIPREU ***
BI/NE
- 68503NSPREU ***
NS/BU/BM/ON/CM/IM
- 68503CNPREU ***
CN/FA
- 68503TTPREU ***
TT/AM/NM/HM/OM
- 68503XXPREU □**
XX

* Nelle varianti colore verniciate e satinare alcuni particolari saranno in finitura galvanica per garantire gli standard qualitativi. / To assure our quality standard on colored and satin product, some details remain in galvanic finishes.

□ XX: Per tutte le altre finiture fattibili riferirsi a questa fascia di prezzo. / Refer to this line of price for all other realizable finishes.

ABBINABILE A / TO MATCH WITH:
Sifone / Siphon - **00066CR00**

ARTICOLO COMPLETO / COMPLETE ITEM

68570CR00
CR

PARTE INCASSO / BUILT-IN PART **PARTE ESTERNA DA ABBINARE / EXTERNAL MATCHING PART**

09761

FINITURE / FINISHES

- 68570CREU**
CR
- 68570NEEU ***
NE/NS/BI/BU/ON

* Nelle varianti colore verniciate e satinare alcuni particolari saranno in finitura galvanica per garantire gli standard qualitativi. / To assure our quality standard on colored and satin product, some details remain in galvanic finishes.

Non disponibile in altre finiture. / Not available in other finishes.

PROLUNGA / MIXER EXTENSION

00100CRPRR

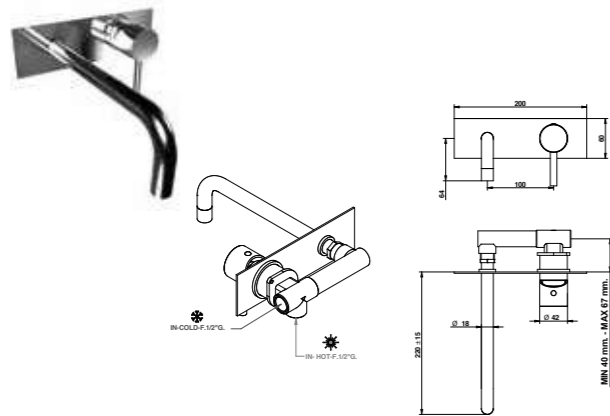
RICAMBI / SPARE PARTS

	9813		9379
--	-------------	--	-------------

68539/22PR

Miscelatore lavabo incasso con bocca 220mm e piastra.

Built-in basin mixer with 220 mms spout and plate.



PROLUNGA / MIXER EXTENSION

00100CRPRR

OPTIONAL: Scatola incasso per cartongesso / Built-in box for drywall and cavity wall **09702PBOX**

RICAMBI / SPARE PARTS

9813 **9988CR**

ARTICOLO COMPLETO / COMPLETE ITEM

68539CR22PR
CR

PARTE INCASSO BUILT-IN PART
PARTE ESTERNA DA ABBINARE EXTERNAL MATCHING PART

FINITURE / FINISHES

09690

68539CR22PREU
CR

68539BI22PREU *
BI/NE

68539NS22PREU *
NS/CM/IM

68539CN22PREU *
CN/FA

68539AM22PREU *
AM/NM/HM/OM

68539XX22PREU [Ⓢ]
XX

* Nelle varianti colore verniciate e satinare alcuni particolari saranno in finitura galvanica per garantire gli standard qualitativi. / To assure our quality standard on colored and satin product, some details remain in galvanic finishes.

[Ⓢ] XX: Per tutte le altre finiture fattibili riferirsi a questa fascia di prezzo. / Refer to this line of price for all other realizable finishes.

Non disponibile in TT - BU - ON - BM / Not available TT - BU - ON - BM

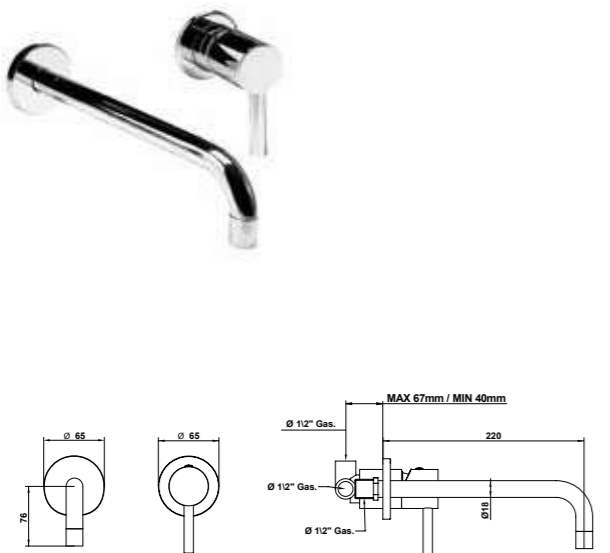
Disponibile con bocca da 160 mm. Prezzi uguali a 68539/22PR. / Available with 160 mm spout. Same prices as 68539/22PR.

ABBINABILE A / TO MATCH WITH:
Sifone / Siphon - **00067CROO**
Piletta clic-clac / Clic-clac waste - **00079CRPR**

68538/22PR

Miscelatore lavabo incasso con bocca 220 mm.

Built-in basin mixer with 220 mms. spout.



PROLUNGA / MIXER EXTENSION

00100CRPRR

RICAMBI / SPARE PARTS

9813 **9988CR**

ARTICOLO COMPLETO / COMPLETE ITEM

68538CR22PR
CR

PARTE INCASSO BUILT-IN PART
PARTE ESTERNA DA ABBINARE EXTERNAL MATCHING PART

FINITURE / FINISHES

09761

68538CR22PREU
CR

68538BI22PREU *
BI/NE

68538NS22PREU *
NS/BU/BM/ON/
CM/IM

68538CN22PREU *
CN/FA

68538TT22PREU *
TT/AM/NM/HM/
OM

68538XX22PREU [Ⓢ]
XX

* Nelle varianti colore verniciate e satinare alcuni particolari saranno in finitura galvanica per garantire gli standard qualitativi. / To assure our quality standard on colored and satin product, some details remain in galvanic finishes.

[Ⓢ] XX: Per tutte le altre finiture fattibili riferirsi a questa fascia di prezzo. / Refer to this line of price for all other realizable finishes.

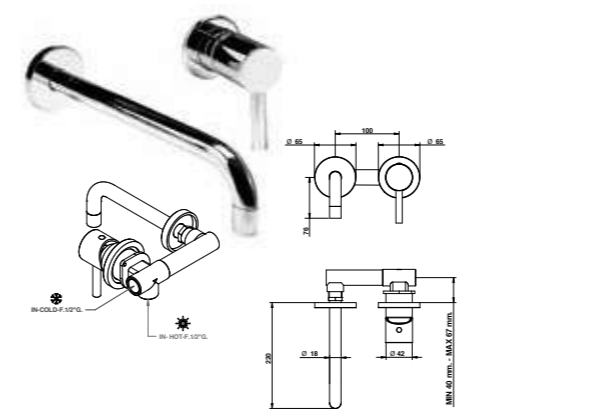
Disponibile con bocca da 160 mm. Prezzi uguali a 68538/22PR. / Available with 160 mm spout. Same prices as 68538/22PR.

ABBINABILE A / TO MATCH WITH:
Sifone / Siphon - **00067CROO**
Piletta clic-clac / Clic-clac waste - **00079CRPR**

68538/2APR

Miscelatore lavabo incasso con bocca 220 mm completo di connessioni incasso.

Built-in basin mixer with 220 mms.spout complete with built-in connections.



ABBINABILE A / TO MATCH WITH:
Sifone / Siphon - **00067CROO**
Piletta clic-clac / Clic-clac waste - **00079CRPR**

PROLUNGA / MIXER EXTENSION

00100CRPRR

OPTIONAL: Scatola incasso per cartongesso / Built-in box for drywall and cavity wall **09702PBOX**

RICAMBI / SPARE PARTS

9813 **9988CR**

ARTICOLO COMPLETO / COMPLETE ITEM

68538CR2APR
CR

PARTE INCASSO BUILT-IN PART
PARTE ESTERNA DA ABBINARE EXTERNAL MATCHING PART

FINITURE / FINISHES

09690

68538CR2APREU
CR

68538BI2APREU *
BI/NE

68538NS2APREU *
NS/BU/BM/ON/
CM/IM

68538CN2APREU *
CN/FA

68538TT2APREU *
TT/AM/NM/HM/
OM

68538XX2APREU [Ⓢ]
XX

* Nelle varianti colore verniciate e satinare alcuni particolari saranno in finitura galvanica per garantire gli standard qualitativi. / To assure our quality standard on colored and satin product, some details remain in galvanic finishes.

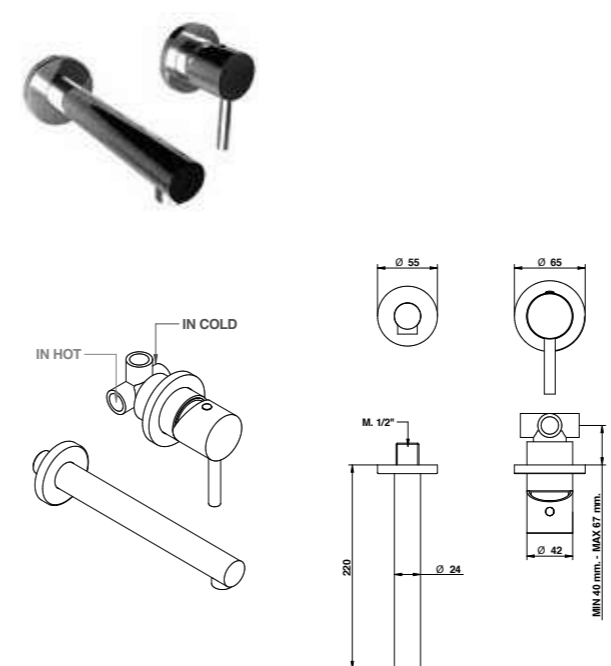
[Ⓢ] XX: Per tutte le altre finiture fattibili riferirsi a questa fascia di prezzo. / Refer to this line of price for all other realizable finishes.

Disponibile con bocca da 160 mm. Prezzi uguali a 68538/2APR. / Available with 160 mm spout. Same prices as 68538/2APR.

68738/22PR

Miscelatore lavabo incasso con bocca 220 mm.

Built-in basin mixer with 220 mms. spout.



RICAMBI / SPARE PARTS

9813 **9989CR**

ARTICOLO COMPLETO / COMPLETE ITEM

68738CR22PR
CR

PARTE INCASSO BUILT-IN PART
PARTE ESTERNA DA ABBINARE EXTERNAL MATCHING PART

FINITURE / FINISHES

09761

68738CR22PREU
CR

68738BI22PREU *
BI/NE

68738NS22PREU
NS

68738XX22PREU [Ⓢ]
XX

* Nelle varianti colore verniciate e satinare alcuni particolari saranno in finitura galvanica per garantire gli standard qualitativi. / To assure our quality standard on colored and satin product, some details remain in galvanic finishes.

[Ⓢ] XX: Per tutte le altre finiture fattibili riferirsi a questa fascia di prezzo. / Refer to this line of price for all other realizable finishes.

Non disponibile in TT - BU - ON - BM - OM - AM - NM - HM - CM - IM - FA - RB / Not available TT - BU - ON - BM - OM - AM - NM - HM - CM - IM - FA - RB

ABBINABILE A / TO MATCH WITH:
Sifone / Siphon - **00067CROO**
Piletta clic-clac / Clic-clac waste - **00079CRPR**

PROLUNGA / MIXER EXTENSION

00100CRPRR

OPTIONAL: Scatola incasso per cartongesso / Built-in box for drywall and cavity wall **09702PBOX**

FINITURE E COLORI / FINISHES AND COLOURS

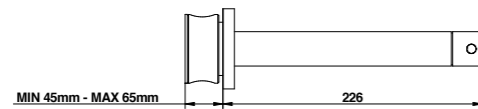
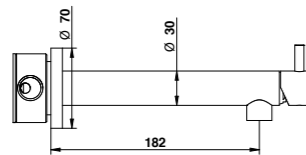


ACCESSORI E RICAMBI / ACCESSORIES AND SPARE PARTS



68439/PR

Miscelatore lavabo incasso da 226 Wall basin mixer with 226 mms. spout mm con cartuccia tradizionale inclusa with traditional cartridge in the spout, nella bocca.



ARTICOLO COMPLETO / COMPLETE ITEM

68439CRPR
CR

PARTE INCASSO BUILT-IN PART **PARTE ESTERNA DA ABBINARE** EXTERNAL MATCHING PART

FINITURE / FINISHES

09695

68439CRPREU
CR

68439BIPREU
BI/NE

68439NSPREU
NS/BU/BM/ON/
CM/IM

68439CNPREU
CN/FA

68439TTPREU
TT/AM/NM/HM/
OM

68439XXPREU *
XX

* XX: Per tutte le altre finiture fattibili riferirsi a questa fascia di prezzo. / Refer to this line of price for all other realizable finishes.

ABBINABILE A / TO MATCH WITH:

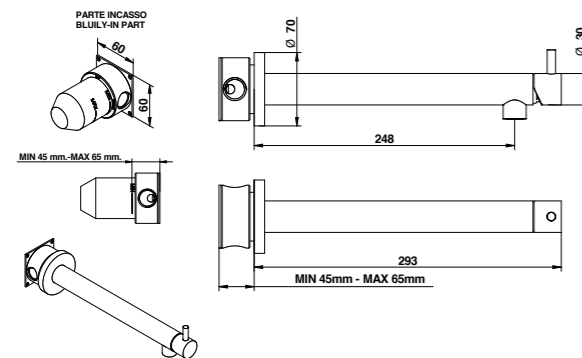
Sifone / Siphon - **00067CR00**
Piletta clic-clac / Clic-clac waste - **00079CRPR**

RICAMBI / SPARE PARTS

9870	9372
------	------

68439/OL NEW BOCCA LUNGA / LONG SPOUT

Miscelatore lavabo incasso da 293 Wall basin mixer with 293 mms spout mm con cartuccia tradizionale incluso with traditional cartridge placed in the nella bocca.



ARTICOLO COMPLETO / COMPLETE ITEM

68439CROLPR
CR

PARTE INCASSO BUILT-IN PART **PARTE ESTERNA DA ABBINARE** EXTERNAL MATCHING PART

FINITURE / FINISHES

09695

68439CROLPREU
CR

68439BIOLPREU
BI/NE

68439NSOLPREU
NS/BU/BM/ON/
CM/IM

68439CNOLPREU
CN/FA

68439TTOLEPREU
TT/AM/NM/HM/
OM

68439XXOLPREU *
XX

* XX: Per tutte le altre finiture fattibili riferirsi a questa fascia di prezzo. / Refer to this line of price for all other realizable finishes.

ABBINABILE A / TO MATCH WITH:

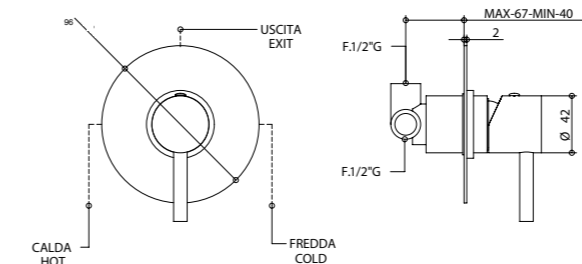
Sifone / Siphon - **00067CR00**
Piletta clic-clac / Clic-clac waste - **00079CRPR**

RICAMBI / SPARE PARTS

9870	9372
------	------

68524/PR

Miscelatore incasso. Built in mixer.



OPTIONAL: Scatola incasso per cartongesso / Built-in box for drywall and cavity wall **09702PBOX**

RICAMBI / SPARE PARTS

9813

ARTICOLO COMPLETO / COMPLETE ITEM

68524CRPR
CR

PARTE INCASSO BUILT-IN PART **PARTE ESTERNA DA ABBINARE** EXTERNAL MATCHING PART

FINITURE / FINISHES

09761

68524CRPREU
CR

68524BIPREU *
BI/NE

68524NSPREU *
NS/BU/BM/ON/
CM/IM

68524CNPREU *
CN/FA

68524TTPREU *
TT/AM/NM/HM/
OM

68524XXPREU *
XX

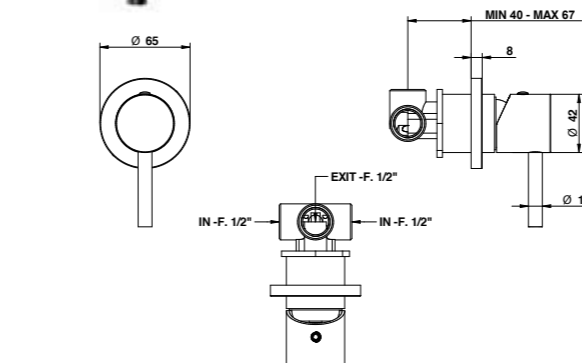
* Nelle varianti colore verniciate e satinare alcuni particolari saranno in finitura galvanica per garantire gli standard qualitativi. / To assure our quality standard on colored and satin product, some details remain in galvanic finishes.
* XX: Per tutte le altre finiture fattibili riferirsi a questa fascia di prezzo. / Refer to this line of price for all other realizable finishes.

PROLUNGA / MIXER EXTENSION

00100CRPRR

68524/RPPR

Miscelatore incasso. Built-in mixer.



OPTIONAL: Scatola incasso per cartongesso / Built-in box for drywall and cavity wall **09702PBOX**

RICAMBI / SPARE PARTS

9813

ARTICOLO COMPLETO / COMPLETE ITEM

68524CRRPPR
CR

PARTE INCASSO BUILT-IN PART **PARTE ESTERNA DA ABBINARE** EXTERNAL MATCHING PART

FINITURE / FINISHES

09761

68524CRRPPREU
CR

68524BIRPPREU *
BI/NE

68524NSRPPREU *
NS/BU/BM/ON/
CM/IM

68524CNRPPREU *
CN/FA

68524TRPPREU *
TT/AM/NM/HM/
OM

68524XXRPPREU *
XX

* Nelle varianti colore verniciate e satinare alcuni particolari saranno in finitura galvanica per garantire gli standard qualitativi. / To assure our quality standard on colored and satin product, some details remain in galvanic finishes.
* XX: Per tutte le altre finiture fattibili riferirsi a questa fascia di prezzo. / Refer to this line of price for all other realizable finishes.

PROLUNGA / MIXER EXTENSION

00100CRPRR

FINITURE E COLORI / FINISHES AND COLOURS



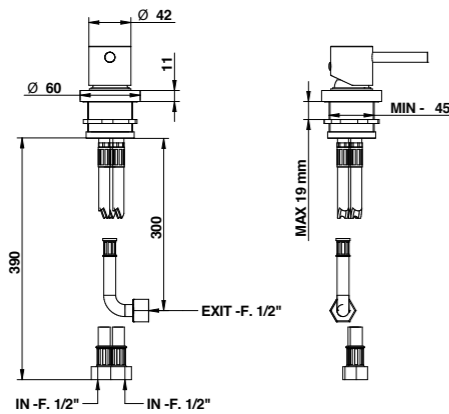
* Disponibile su richiesta / Available on demand

ACCESSORI E RICAMBI / ACCESSORIES AND SPARE PARTS



68510/PR

Miscelatore bordo piano. Mixer for deck installation.



ARTICOLO COMPLETO / COMPLETE ITEM

68510CRPR
CR

68510BIPR *
BI/NE

68510NSPR *
NS/BU/BM/ON/CM/IM

68510CNPR *
CN/FA

68510TTPR *
TT/AM/NM/HM/OM

68510XXPR *
XX

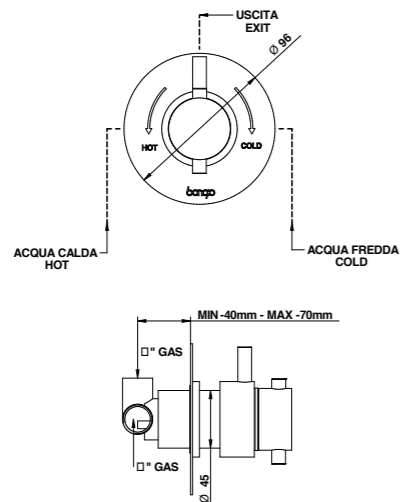
* Nelle varianti colore verniciate e satinare alcuni particolari saranno in finitura galvanica per garantire gli standard qualitativi. / To assure our quality standard on colored and satin product, some details remain in galvanic finishes.
* XX: Per tutte le altre finiture fattibili riferirsi a questa fascia di prezzo. / Refer to this line of price for all other realizable finishes.

RICAMBI / SPARE PARTS

9813

68544/PR

Termostatico coassiale incasso. Coaxial thermostatic built-in mixer.



ARTICOLO COMPLETO / COMPLETE ITEM

68544CRPR
CR

68544BIPR *
BI/NE

68544NSPR *
NS/BU/BM/ON/CM/IM

68544CNPR *
CN/FA

68544TTPR *
TT/AM/NM/HM/OM

68544XXPR *
XX

* Nelle varianti colore verniciate e satinare alcuni particolari saranno in finitura galvanica per garantire gli standard qualitativi. / To assure our quality standard on colored and satin product, some details remain in galvanic finishes.
* XX: Per tutte le altre finiture fattibili riferirsi a questa fascia di prezzo. / Refer to this line of price for all other realizable finishes.

Portata a pressione dinamica 3 bar - 20,5 l/min - 38° Mix / Flow rates at dynamic pressure 3 bar - 20,5 l/min - 38° Mix

Il corpo incasso non può essere anticipato. / Built-in body cannot be delivered separately in advance.

PROLUNGA / MIXER EXTENSION

00107CRPR

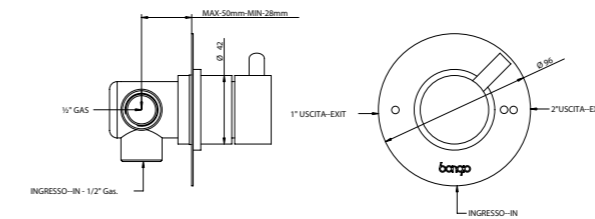
OPTIONAL: Scatola incasso per cartongesso / Built-in box for drywall and cavity wall **09702PBOX**

RICAMBI / SPARE PARTS

9811

68525/2PR

Deviatore 2-uscite (1 entrata - 2 uscite). 2-way diverter (1 in - 2 out).

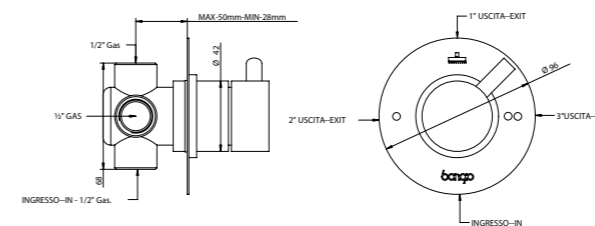


RICAMBI / SPARE PARTS

9808/2

68525/3PR

Deviatore a 3 uscite (1 entrata - 3 uscite). 3 ways diverter (1 in - 3 out).



RICAMBI / SPARE PARTS

9808

ARTICOLO COMPLETO / COMPLETE ITEM

68525CR02PR
CR

PARTE INCASSO
BUILT-IN PART

PARTE ESTERNA DA ABBINARE
EXTERNAL MATCHING PART

FINITURE / FINISHES

09491/2

68525CR02PREU
CR

68525BIO2PREU
BI/NE

68525NS02PREU
NS/BU/BM/ON/CM/IM

68525CN02PREU
CN/FA

68525TT02PREU
TT/AM/NM/HM/OM

68525XX02PREU *
XX

* XX: Per tutte le altre finiture fattibili riferirsi a questa fascia di prezzo. / Refer to this line of price for all other realizable finishes.

ABBINABILE A / TO MATCH WITH:
Miscelatore incasso / Built-in mixer - **68524**
Miscelatore incasso / Built-in mixer - **68544**

PROLUNGA / MIXER EXTENSION

00109CRPR

ARTICOLO COMPLETO / COMPLETE ITEM

68525CR03PR
CR

PARTE INCASSO
BUILT-IN PART

PARTE ESTERNA DA ABBINARE
EXTERNAL MATCHING PART

FINITURE / FINISHES

09494

68525CR03PREU
CR

68525BIO3PREU
BI/NE

68525NS03PREU
NS/BU/BM/ON/CM/IM

68525CN03PREU
CN/FA

68525TT03PREU
TT/AM/NM/HM/OM

68525XX03PREU *
XX

* XX: Per tutte le altre finiture fattibili riferirsi a questa fascia di prezzo. / Refer to this line of price for all other realizable finishes.

ABBINABILE A / TO MATCH WITH:
Miscelatore incasso / Built-in mixer - **68524**
Miscelatore incasso / Built-in mixer - **68544**

PROLUNGA / MIXER EXTENSION

00109CRPR

FINITURE E COLORI / FINISHES AND COLOURS



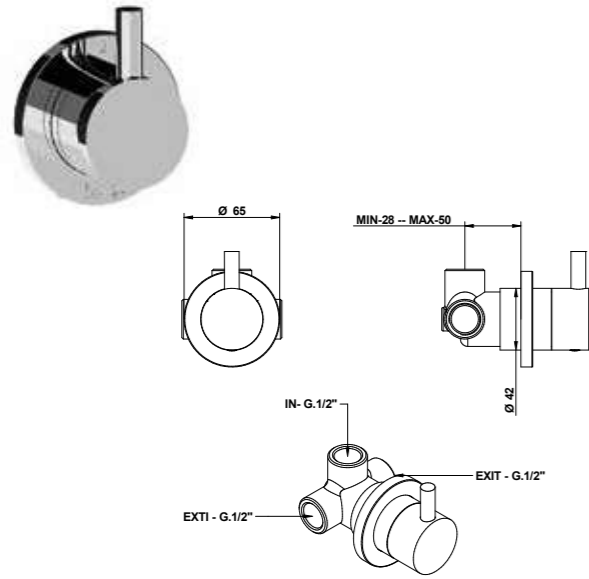
* Disponibile su richiesta / Available on demand

ACCESSORI E RICAMBI / ACCESSORIES AND SPARE PARTS



68556/CRPR

Deviatore 2-uscite (1 entrata - 2 uscite) con rosone piccolo. / 2-way diverter (1 inlet - 2 outlets) with small flange.

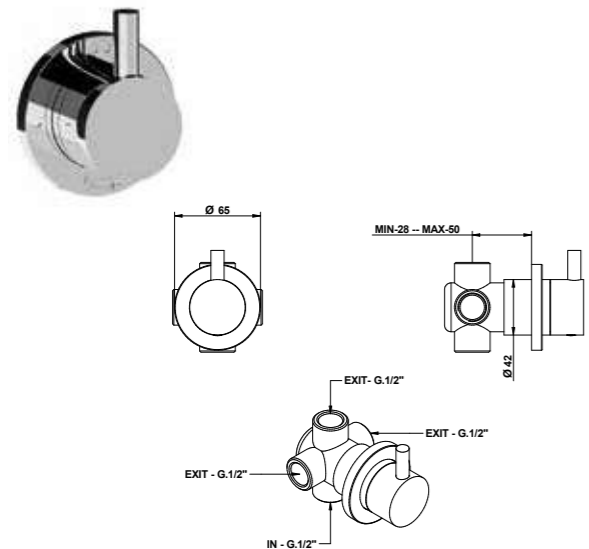


RICAMBI / SPARE PARTS

	9808/2
--	--------

68556/3PR

Deviatore a 3 uscite (1 entrata - 3 uscite) con rosone piccolo. / 3 ways diverter (1 in- 3 out) with small flange.



RICAMBI / SPARE PARTS

	9808
--	------

ARTICOLO COMPLETO / COMPLETE ITEM

68556CRPR
CR

PARTE INCASSO / BUILT-IN PART **PARTE ESTERNA DA ABBINARE** / EXTERNAL MATCHING PART

09491/2

FINITURE / FINISHES

68556CRPREU
CR

68556BIPREU
BI/NE

68556NSPREU
NS/BU/BM/ON/
CM/IM

68556CNPREU
CN/FA

68556TTPREU
TT/AM/NM/HM/
OM

68556XXPREU *
XX

* XX: Per tutte le altre finiture fattibili riferirsi a questa fascia di prezzo. / Refer to this line of price for all other realizable finishes.

ABBINABILE A / TO MATCH WITH:
Miscelatore incasso / Built-in mixer - **68524**
Miscelatore incasso / Built-in mixer - **68544**

PROLUNGA / MIXER EXTENSION

	00109CRPR
--	-----------

ARTICOLO COMPLETO / COMPLETE ITEM

68556CR03PR
CR

PARTE INCASSO / BUILT-IN PART **PARTE ESTERNA DA ABBINARE** / EXTERNAL MATCHING PART

9491

FINITURE / FINISHES

68556CR03PREU
CR

68556BI03PREU
BI/NE

68556NS03PREU
NS/BU/BM/ON/
CM/IM

68556CN03PREU
CN/FA

68556TT03PREU
TT/AM/NM/HM/
OM

68556XX03PREU *
XX

* XX: Per tutte le altre finiture fattibili riferirsi a questa fascia di prezzo. / Refer to this line of price for all other realizable finishes.

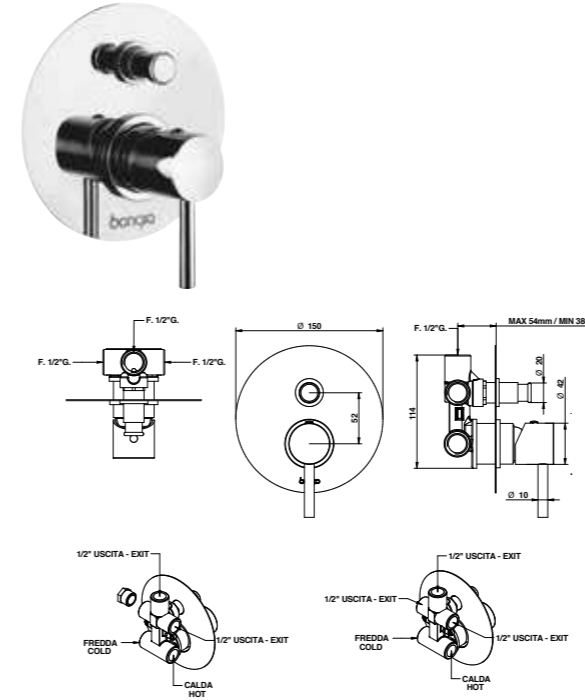
ABBINABILE A / TO MATCH WITH:
Miscelatore incasso / Built-in mixer - **68524**
Miscelatore incasso / Built-in mixer - **68544**

PROLUNGA / MIXER EXTENSION

	00109CRPR
--	-----------

68529/PR

Miscelatore incasso con deviatore automatico a due uscite. / Built-in mixer with 2 way automatic diverter.



ARTICOLO COMPLETO / COMPLETE ITEM

68529CRPR
CR

Il corpo incasso non può essere anticipato. / Built-in body cannot be delivered separately in advance.

Non disponibile in altre finiture. / Not available in other finishes.

PROLUNGA / MIXER EXTENSION

	00102CRPRPR
--	-------------

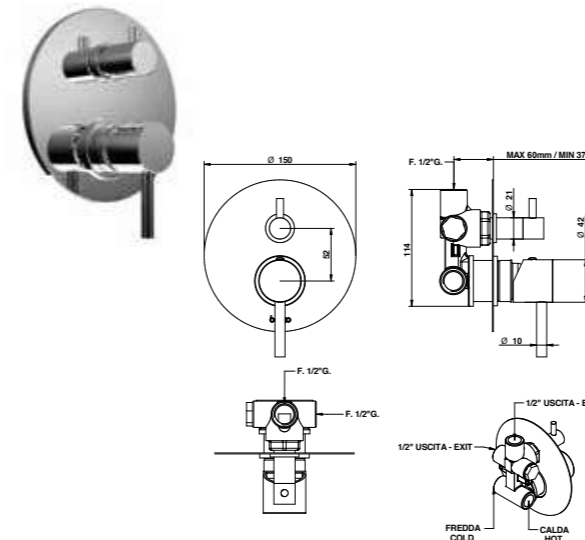
OPTIONAL: Scatola incasso per cartongesso / Built-in box for drywall and cavity wall **09702PBOX**

RICAMBI / SPARE PARTS

	9813		00114CRPR
--	------	--	-----------

68519/PR

Miscelatore incasso con deviatore meccanico a due uscite. / Built-in mixer with 2 way mechanical diverter.



ARTICOLO COMPLETO / COMPLETE ITEM

68519CRPR
CR

PARTE INCASSO / BUILT-IN PART **PARTE ESTERNA DA ABBINARE** / EXTERNAL MATCHING PART

09763

FINITURE / FINISHES

68519CRPREU
CR

68519BIPREU *
BI/NE

68519NSPREU *
NS/BU/BM/ON/
CM/IM

68519CNPREU *
CN/FA

68519TTPREU *
TT/AM/NM/HM/
OM

68519XXPREU *
XX

* Nelle varianti colore verniciate e satinata alcuni particolari saranno in finitura galvanica per garantire gli standard qualitativi. / To assure our quality standard on colored and satin product, some details remain in galvanic finishes.
* XX: Per tutte le altre finiture fattibili riferirsi a questa fascia di prezzo. / Refer to this line of price for all other realizable finishes.

PROLUNGA / MIXER EXTENSION

	00102CRPRP3
--	-------------

RICAMBI / SPARE PARTS

	9813		9861
--	------	--	------

ACCESSORI E RICAMBI / ACCESSORIES AND SPARE PARTS



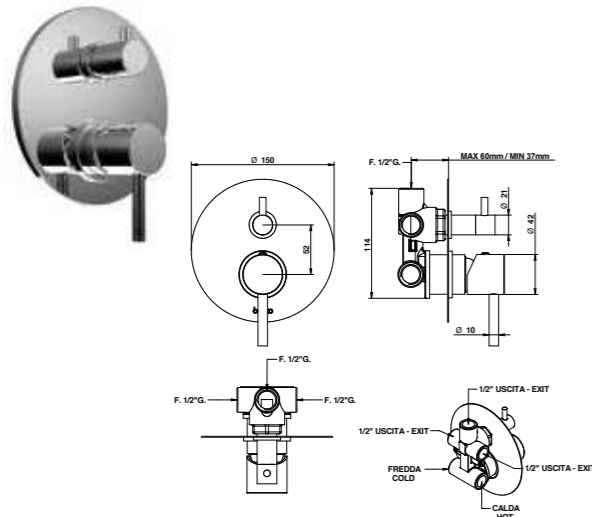
FINITURE E COLORI / FINISHES AND COLOURS



* Disponibile su richiesta / Available on demand

68519/3PR

Miscelatore incasso con deviatore meccanico a 3 uscite. / Built-in mixer with 3 way mechanical diverter.



OPTIONAL: Scatola incasso per cartongesso / Built-in box for drywall and cavity wall **09702PBOX**

RICAMBI / SPARE PARTS

	9813		09860
--	-------------	--	--------------

ARTICOLO COMPLETO / COMPLETE ITEM

68519CR03PR
CR

PARTE INCASSO BUILT-IN PART	PARTE ESTERNA DA ABBINARE EXTERNAL MATCHING PART
--------------------------------	---

09763/3

FINITURE / FINISHES

68519CR03PREU
CR

68519BI03PREU *
BI/NE

68519NS03PREU *
NS/BU/BM/ON/
CM/IM

68519CN03PREU *
CN/FA

68519TT03PREU *
TT/AM/NM/HM/
OM

68519XX03PREU □
XX

* Nelle varianti colore verniciate e satinare alcuni particolari saranno in finitura galvanica per garantire gli standard qualitativi. / To assure our quality standard on colored and satin product, some details remain in galvanic finishes.

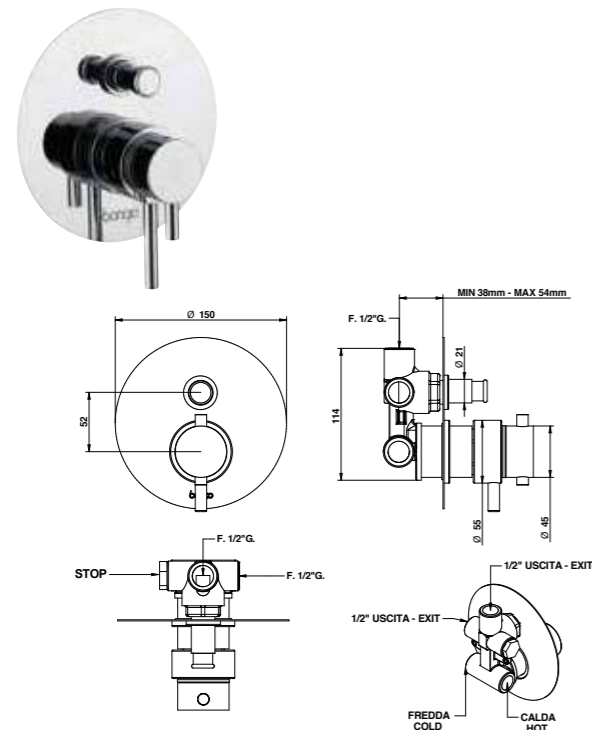
□ XX: Per tutte le altre finiture fattibili riferirsi a questa fascia di prezzo. / Refer to this line of price for all other realizable finishes.

PROLUNGA / MIXER EXTENSION

	00102CRPR3
--	-------------------

68549/PR

Termostatico incasso coassiale con deviatore automatico a due uscite. / Coaxial built-in thermostatic mixer with 2 way automatic diverter.



FINITURE E COLORI / FINISHES AND COLOURS



ARTICOLO COMPLETO / COMPLETE ITEM

68549CRPR
CR

68549BIPR *
BI/NE

68549NSPR *
NS/BU/BM/ON/CM/IM

68549CNPR *
CN/FA

68549TTPR *
TT/AM/NM/HM/OM

68549XXPR □
XX

* Nelle varianti colore verniciate e satinare alcuni particolari saranno in finitura galvanica per garantire gli standard qualitativi. / To assure our quality standard on colored and satin product, some details remain in galvanic finishes.

□ XX: Per tutte le altre finiture fattibili riferirsi a questa fascia di prezzo. / Refer to this line of price for all other realizable finishes.

Portata a pressione dinamica 3 bar - 20,5 l/min - 38° Mix / Flow rates at dynamic pressure 3 bar - 20,5 l/min - 38° Mix

Il corpo incasso non può essere anticipato. / Built-in body cannot be delivered separately in advance.

PROLUNGA / MIXER EXTENSION

	00108CRPR
--	------------------

OPTIONAL: Scatola incasso per cartongesso / Built-in box for drywall and cavity wall **09702PBOX**

RICAMBI / SPARE PARTS

	9811		00114CRPR
--	-------------	--	------------------

68569/PR

Termostatico incasso coassiale con deviatore meccanico a due uscite. / Coaxial built-in thermostatic mixer with 2 exits mechanical diverter.



ARTICOLO COMPLETO / COMPLETE ITEM

68569CRPR
CR

PARTE INCASSO BUILT-IN PART	PARTE ESTERNA DA ABBINARE EXTERNAL MATCHING PART
--------------------------------	---

09766

FINITURE / FINISHES

68569CRPREU
CR

68569BIPREU *
BI/NE

68569NSPREU *
NS/BU/BM/ON/
CM/IM

68569CNPREU *
CN/FA

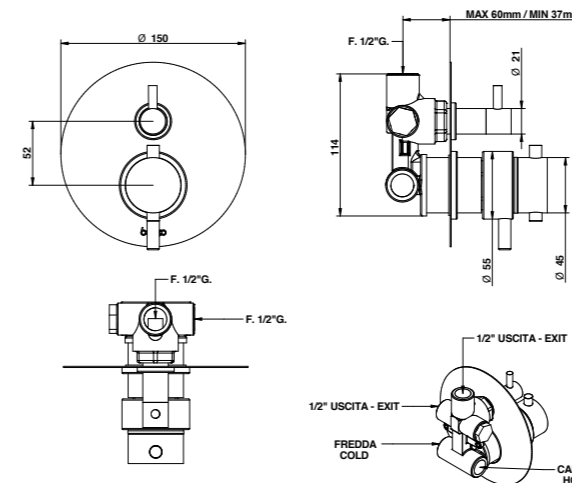
68569TTPREU *
TT/AM/NM/HM/
OM

68569XXPREU □
XX

* Nelle varianti colore verniciate e satinare alcuni particolari saranno in finitura galvanica per garantire gli standard qualitativi. / To assure our quality standard on colored and satin product, some details remain in galvanic finishes.

□ XX: Per tutte le altre finiture fattibili riferirsi a questa fascia di prezzo. / Refer to this line of price for all other realizable finishes.

Disponibile con deviatore automatico 68549/PR. Pressione dinamica minima di utilizzo 0,5 bar. Portata a pressione dinamica 3 bar - 17 l/min. / Available with automatic diverter 68549/PR. Minimum dynamic pressure of use 0,5 bar. Flow rates at dynamic pressure 3 bar - 17 l/min.



PROLUNGA / MIXER EXTENSION

	00102CRPR3
--	-------------------

OPTIONAL: Scatola incasso per cartongesso / Built-in box for drywall and cavity wall **09702PBOX**

RICAMBI / SPARE PARTS

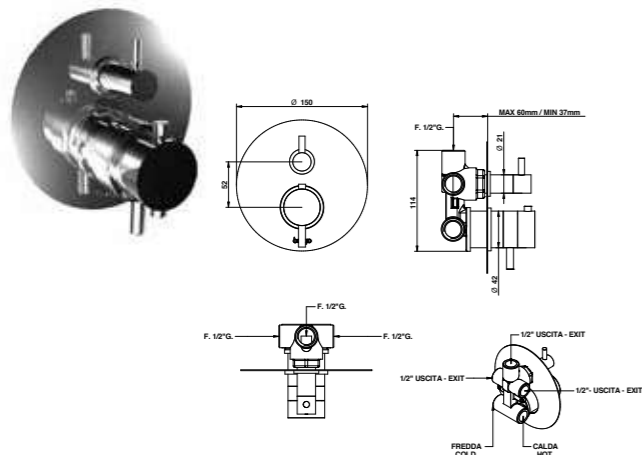
	9250		09861
--	-------------	--	--------------

ACCESSORI E RICAMBI / ACCESSORIES AND SPARE PARTS



68569/3PR

Miscelatore termostatico incasso coaxiale con deviatore meccanico a 3 uscite. / Coaxial built-in thermostatic mixer with 3 exits mechanical diverter.



PROLUNGA / MIXER EXTENSION

00102CRPRP3

OPTIONAL: Scatola incasso per cartongesso / Built-in box for drywall and cavity wall **09702PBOX**

RICAMBI / SPARE PARTS

9250	09860
-------------	--------------

ARTICOLO COMPLETO / COMPLETE ITEM

68569CR03PR
CR

PARTE INCASSO BUILT-IN PART	PARTE ESTERNA DA ABBINARE EXTERNAL MATCHING PART
--------------------------------	---

09766/3

FINITURE / FINISHES

68569CR03PREU
CR

68569BI03PREU *
BI/NE

68569NS03PREU *
NS/BU/BM/ON/
CM/IM

68569CN03PREU *
CN/FA

68569TT03PREU *
TT/AM/NM/HM/
OM

68569XX03PREU □
XX

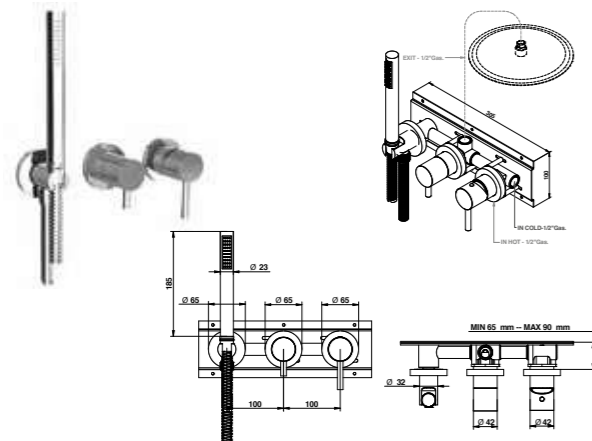
* Nelle varianti colore verniciate e satinare alcuni particolari saranno in finitura galvanica per garantire gli standard qualitativi. / To assure our quality standard on colored and satin product, some details remain in galvanic finishes.
□ XX: Per tutte le altre finiture fattibili riferirsi a questa fascia di prezzo. / Refer to this line of price for all other realizable finishes.

Pressione dinamica minima di utilizzo 0,5 bar. Portata a pressione dinamica 3 bar - 17 l/min / Minimum dynamic pressure of use 0,5 bar. Flow rates at dynamic pressure 3 bar - 17 l/min.

68551/ADPR NEW

Gruppo doccia incasso completo di miscelatore, deviatore, connessioni e set doccetta con piastra interna per fissaggio semplificato. / Built-in shower mixer with mixer, diverter, connection and handshower set with easy installation internal plate.

Dettaglio flessibili / Flexible details pag. 42



RICAMBI / SPARE PARTS

9813	09611CR00
00850CROE	9808/2
00850XX00 *	9600XXPV □

* Ricambio per finiture diverse dal cromo. / Spare part for different finishes.
□ Per le finiture verniciate e satinare il flessibile verrà fornito in PVC nero. / The flexible hose will be supplied in black PVC for painted and matt finishes.

ARTICOLO COMPLETO / COMPLETE ITEM

68551CRADPR
CR

PARTE INCASSO BUILT-IN PART	PARTE ESTERNA DA ABBINARE EXTERNAL MATCHING PART
--------------------------------	---

0969000DP

FINITURE / FINISHES

68551CRADPREU
CR

68551BIADPREU *
BI/NE

68551NSADPREU *
NS/BU/BM/ON/
CM/IM

68551CNADPREU *
CN/FA

68551TTADPREU *
TT/AM/NM/HM/
OM

68551XXADPREU □
XX

* Nelle varianti colore verniciate e satinare alcuni particolari saranno in finitura galvanica per garantire gli standard qualitativi. / To assure our quality standard on colored and satin product, some details remain in galvanic finishes.
□ XX: Per tutte le altre finiture fattibili riferirsi a questa fascia di prezzo. / Refer to this line of price for all other realizable finishes.

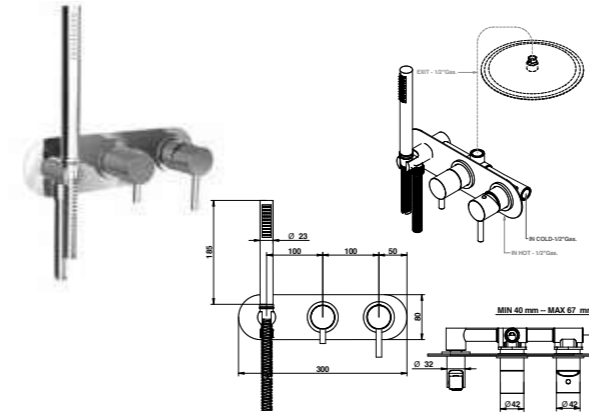
PROLUNGA / MIXER EXTENSION

68113CRPR

68552/ADPR NEW

Gruppo doccia incasso completo di miscelatore, deviatore, connessione e set doccetta con piastra. / Built-in shower mixer with mixer, diverter, connection and handshower set with plate.

Dettaglio flessibili / Flexible details pag. 42



RICAMBI / SPARE PARTS

9813	09611CR00
00850CROE	9808/2
00850XX00 *	9600XXPV □

* Ricambio per finiture diverse dal cromo. / Spare part for different finishes.
□ Per le finiture verniciate e satinare il flessibile verrà fornito in PVC nero. / The flexible hose will be supplied in black PVC for painted and matt finishes.

ARTICOLO COMPLETO / COMPLETE ITEM

68552CRADPR
CR

PARTE INCASSO BUILT-IN PART	PARTE ESTERNA DA ABBINARE EXTERNAL MATCHING PART
--------------------------------	---

0969000DO

FINITURE / FINISHES

68552CRADPREU
CR

68552BIADPREU *
BI/NE

68552NSADPREU *
NS/CM/IM

68552CNADPREU *
CN/FA

68552NMADPREU *
NM/HM/OM

68552XXADPREU □
XX

* Nelle varianti colore verniciate e satinare alcuni particolari saranno in finitura galvanica per garantire gli standard qualitativi. / To assure our quality standard on colored and satin product, some details remain in galvanic finishes.
□ XX: Per tutte le altre finiture fattibili riferirsi a questa fascia di prezzo. / Refer to this line of price for all other realizable finishes.

Non disponibile in TT - BM - ON - BU - AM / Not available TT - BM - ON - BU - AM

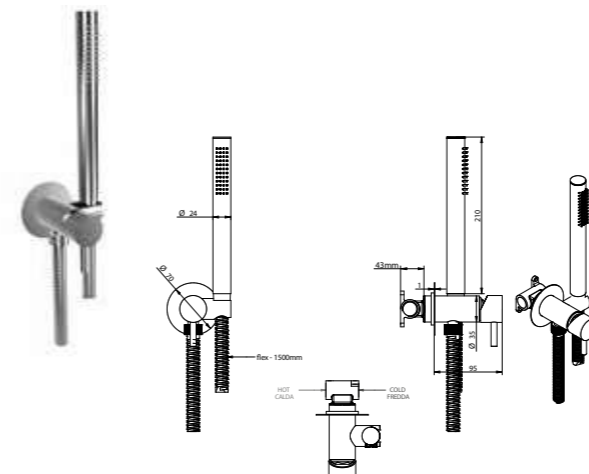
PROLUNGA / MIXER EXTENSION

68113CRPR

32915 NEW

Set doccia ad incasso con miscelatore integrato tradizionale ad uso doccia, vasca e bidet completo di doccetta. / Duplex shower set with traditional mixer integrated for shower/bathtub and bidet.

Dettaglio flessibili / Flexible details pag. 42



RICAMBI / SPARE PARTS

9820/32	09611CR00
850CROE	00850XX00 *
9600XXPV □	

* Ricambio per finiture diverse dal cromo. / Spare part for different finishes.
□ Per le finiture verniciate e satinare il flessibile verrà fornito in PVC nero. / The flexible hose will be supplied in black PVC for painted and matt finishes.

ARTICOLO COMPLETO / COMPLETE ITEM

32915CR00
CR

PARTE INCASSO BUILT-IN PART	PARTE ESTERNA DA ABBINARE EXTERNAL MATCHING PART
--------------------------------	---

09490/CT

FINITURE / FINISHES

32915CREU
CR

32915BIEU
BI/NE

32915NSEU
NS/BU/BM/ON/
CM/IM

32915CNEU
CN/FA

32915TTEU
TT/AM/NM/HM/
OM

32915XXEU *
XX

* XX: Per tutte le altre finiture fattibili riferirsi a questa fascia di prezzo. / Refer to this line of price for all other realizable finishes.

PROLUNGA / MIXER EXTENSION

00916CRPR

FINITURE E COLORI / FINISHES AND COLOURS

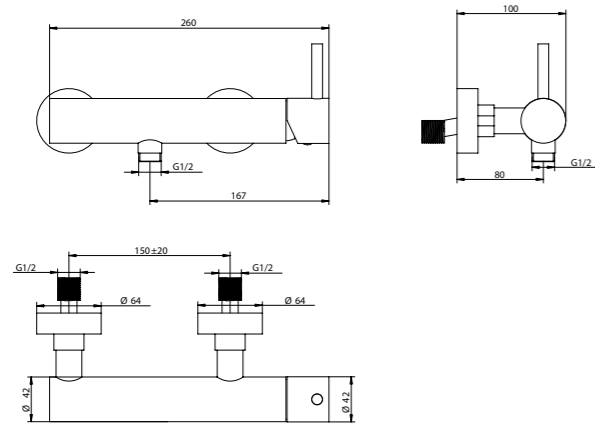


ACCESSORI E RICAMBI / ACCESSORIES AND SPARE PARTS



68523/PR

Miscelatore doccia esterno. External shower mixer.



ARTICOLO COMPLETO / COMPLETE ITEM

- 68523CRPR**
CR
- 68523BIPR**
BI/NE
- 68523NSPR**
NS/BU/BM/ON/CM/IM
- 68523CNPR**
CN/FA
- 68523TTPR**
TT/AM/NM/HM/OM
- 68523XXPR ***
XX

* XX: Per tutte le altre finiture fattibili riferirsi a questa fascia di prezzo. / Refer to this line of price for all other realizable finishes.

ABBINABILE A / TO MATCH WITH:
Saliscendi / Sliding rail - **870**

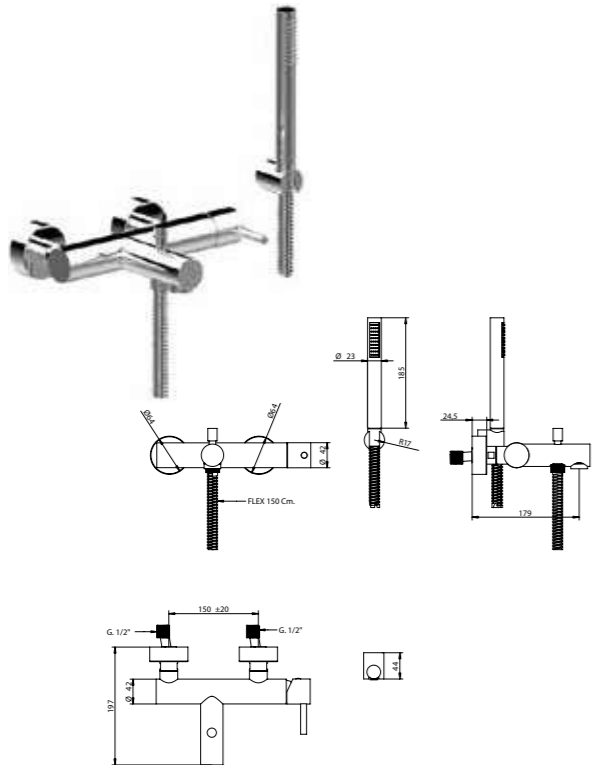
RICAMBI / SPARE PARTS

	9838
--	-------------

68526/DPR

Miscelatore vasca esterno con set doccia. External bath and shower mixer with shower set.

Dettaglio flessibili / Flexible details pag. 42



ARTICOLO COMPLETO / COMPLETE ITEM

- 68526CRODPR**
CR
- 68526BIODPR ***
BI/NE
- 68526NSODPR**
NS/BU/BM/ON/CM/IM
- 68526CNODPR ***
CN/FA
- 68526TTODPR ***
TT/AM/NM/HM/OM
- 68526XXODPR ***
XX

* Nelle varianti colore verniciate e satinare alcuni particolari saranno in finitura galvanica per garantire gli standard qualitativi. / To assure our quality standard on colored and satin product, some details remain in galvanic finishes.

* XX: Per tutte le altre finiture fattibili riferirsi a questa fascia di prezzo. / Refer to this line of price for all other realizable finishes.

RICAMBI / SPARE PARTS

	9871		9997CR
	9611CR		00850CROE
	00136CR		00850XX00 *
	9600XXPV *		

* Ricambio per finiture diverse dal cromo. / Spare part for different finishes.
* Per le finiture verniciate e satinare il flessibile verrà fornito in PVC nero. / The flexible hose will be supplied in black PVC for painted and matt finishes.

FINITURE E COLORI / FINISHES AND COLOURS

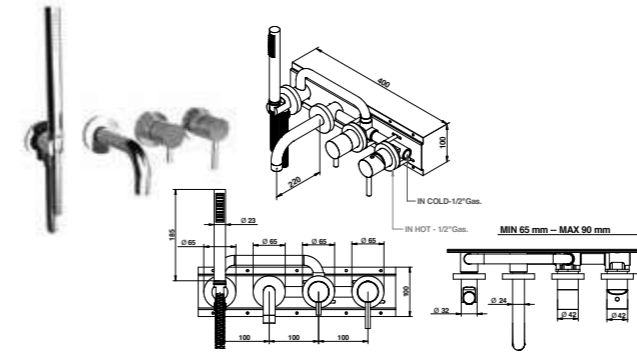


* Disponibile su richiesta / Available on demand

68550/ADPR NEW

Gruppo vasca incasso completo di miscelatore, deviatore, connessioni e set doccia con piastra interna per fissaggio semplificato. Builtin bath mixer with mixer, diverter, connection and handshower set with easy installation internal plate.

Dettaglio flessibili / Flexible details pag. 42



RICAMBI / SPARE PARTS

	9813		09999CR
	9611CR		00850CROE
	9808/2		00850XX00 *
	9600XXPV *		

* Ricambio per finiture diverse dal cromo. / Spare part for different finishes.
* Per le finiture verniciate e satinare il flessibile verrà fornito in PVC nero. / The flexible hose will be supplied in black PVC for painted and matt finishes.

ARTICOLO COMPLETO / COMPLETE ITEM

- 68550CRADPR**
CR

PARTE INCASSO / BUILT-IN PART **PARTE ESTERNA DA ABBINARE / EXTERNAL MATCHING PART**

0969000VA

FINITURE / FINISHES

- 68550CRADPREU**
CR
- 68550BIADPREU ***
BI/NE
- 68550NSADPREU ***
NS/BU/BM/ON/CM/IM
- 68550CNADPREU ***
CN/FA
- 68550TTADPREU ***
TT/AM/NM/HM/OM
- 68550XXADPREU ***
XX

* Nelle varianti colore verniciate e satinare alcuni particolari saranno in finitura galvanica per garantire gli standard qualitativi. / To assure our quality standard on colored and satin product, some details remain in galvanic finishes.

* XX: Per tutte le altre finiture fattibili riferirsi a questa fascia di prezzo. / Refer to this line of price for all other realizable finishes.

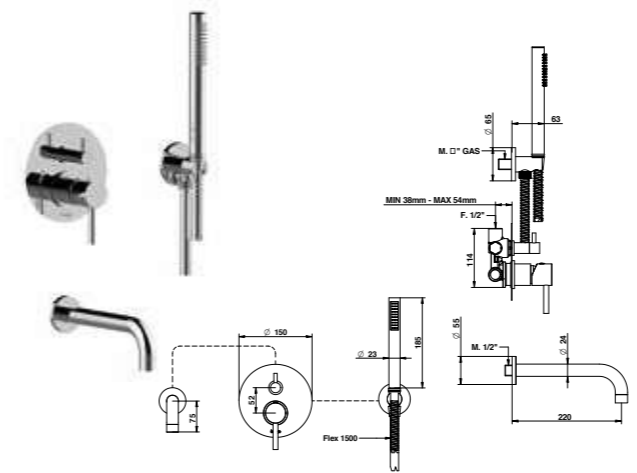
PROLUNGA / MIXER EXTENSION

	68113CRVAPR
--	--------------------

68530/DPR

Gruppo vasca incasso con set doccia e deviatore meccanico. Builtin bath and shower mixer with shower set and mechanical diverter.

Dettaglio flessibili / Flexible details pag. 42



RICAMBI / SPARE PARTS

	9813		9999CR
	9611CR		9860
	00850XX00 *		9600XXPV *

* Ricambio per finiture diverse dal cromo. / Spare part for different finishes.
* Per le finiture verniciate e satinare il flessibile verrà fornito in PVC nero. / The flexible hose will be supplied in black PVC for painted and matt finishes.

ARTICOLO COMPLETO / COMPLETE ITEM

- 68530CRODPR**
CR

PARTE INCASSO / BUILT-IN PART **PARTE ESTERNA DA ABBINARE / EXTERNAL MATCHING PART**

09763

FINITURE / FINISHES

- 68530CRODPREU**
CR
- 68530BIODPREU ***
BI/NE
- 68530NSODPREU ***
NS/BU/BM/ON/CM/IM
- 68530CNODPREU ***
CN/FA
- 68530TTODPREU ***
TT/AM/NM/HM/OM
- 68530XXODPREU ***
XX

* Nelle varianti colore verniciate e satinare alcuni particolari saranno in finitura galvanica per garantire gli standard qualitativi. / To assure our quality standard on colored and satin product, some details remain in galvanic finishes.

* XX: Per tutte le altre finiture fattibili riferirsi a questa fascia di prezzo. / Refer to this line of price for all other realizable finishes.

PROLUNGA / MIXER EXTENSION

	00102CRPRP3
--	--------------------

OPTIONAL: Scatola incasso per cartongesso / Built-in box for drywall and cavity wall **09702PBOX**

ACCESSORI E RICAMBI / ACCESSORIES AND SPARE PARTS



68534/DPR

Miscelatore vasca da pavimento con set doccia. Floor mounted bath mixer with shower set.

Dettaglio flessibili / Flexible details pag. 42



ARTICOLO COMPLETO / COMPLETE ITEM

68534CRODPR
CR

PARTE INCASSO BUILT-IN PART	PARTE ESTERNA DA ABBINARE EXTERNAL MATCHING PART
--------------------------------	---

FINITURE / FINISHES

09744 **68534CRODPREU**
CR

68534BIODPREU *
BI/NE

68534NSODPREU *
NS/BU/BM/ON/
CM/IM

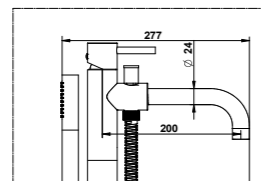
68534CNODPREU *
CN/FA

68534TTODPREU *
TT/AM/NM/HM/
OM

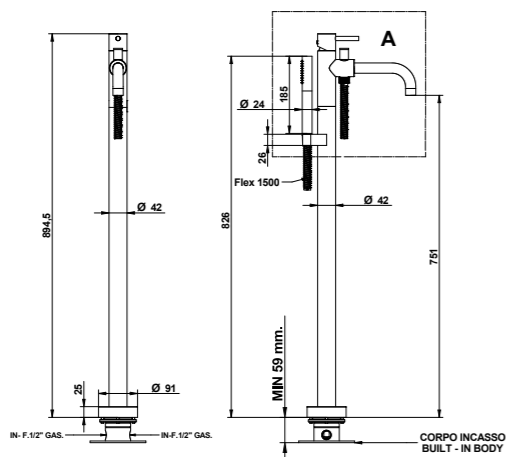
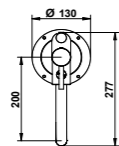
68534XXODPREU □
XX

* Nelle varianti colore verniciate e satinare alcuni particolari saranno in finitura galvanica per garantire gli standard qualitativi. / To assure our quality standard on colored and satin product, some details remain in galvanic finishes.

□ XX: Per tutte le altre finiture fattibili riferirsi a questa fascia di prezzo. / Refer to this line of price for all other realizable finishes.



DETTAGLIO A



RICAMBI / SPARE PARTS

	9812		9996CR
	9611CR		00850CROE
	00116CR		00850XX00 *
	9600XXPV □		

* Ricambio per finiture diverse dal cromo. / Spare part for different finishes.
□ Per le finiture verniciate e satinare il flessibile verrà fornito in PVC nero. / The flexible hose will be supplied in black PVC for painted and matt finishes.

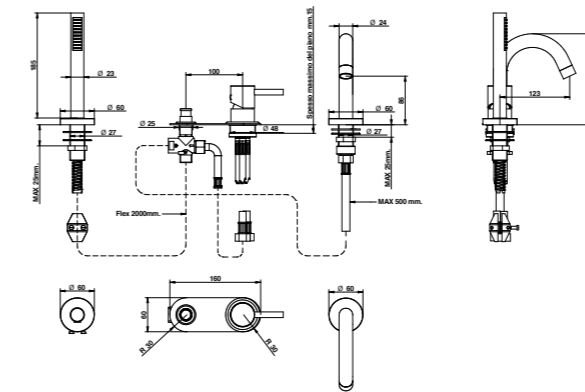
FINITURE E COLORI / FINISHES AND COLOURS



* Disponibile su richiesta / Available on demand

68531/DPR

Gruppo bordo vasca con set doccia. Bath & shower mixer for deck installation with shower set.



ARTICOLO COMPLETO / COMPLETE ITEM

68531CRODPR
CR

68531BIODPR
BI/NE

68531NSODPR *
NS/BU/BM/ON/CM/IM

68531CNODPR
CN/FA

68531TTODPR
TT/AM/NM/HM/OM

68531XXODPR
XX

* Nelle varianti colore verniciate e satinare alcuni particolari saranno in finitura galvanica per garantire gli standard qualitativi. / To assure our quality standard on colored and satin product, some details remain in galvanic finishes.

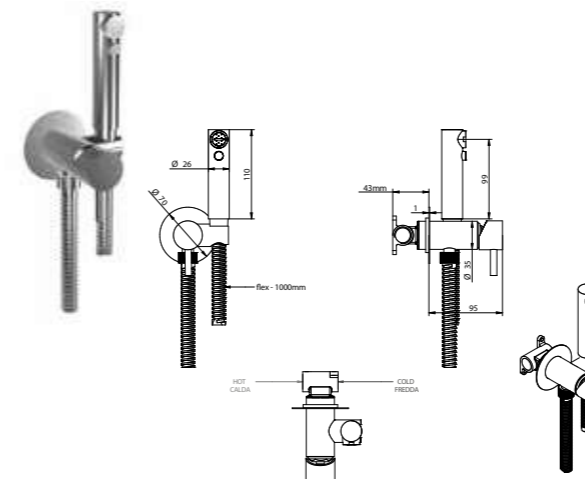
RICAMBI / SPARE PARTS

	9813		9385CR
	9606CR		00850CROE
	00127CR		00850XX00 *

* Ricambio per finiture diverse dal cromo. / Spare part for different finishes.

32916

Set doccia bidet per wc ad incasso con miscelatore tradizionale integrato e doccetta. Shattaf shower set for wc with integrated traditional mixer and handshower.



ARTICOLO COMPLETO / COMPLETE ITEM

32916CRO0
CR

PARTE INCASSO BUILT-IN PART	PARTE ESTERNA DA ABBINARE EXTERNAL MATCHING PART
--------------------------------	---

FINITURE / FINISHES

09490/CT **32916CREU**
CR

32916NSEU *
NS/BM/CM/IM/
BU/ON/BI/NE

32916CNEU *
CN/FA

32916TTEU *
TT/AM/NM/OM/
HM

32916XXEU □
XX

* Nelle varianti colore verniciate e satinare alcuni particolari saranno in finitura galvanica per garantire gli standard qualitativi. / To assure our quality standard on colored and satin product, some details remain in galvanic finishes.

□ XX: Per tutte le altre finiture fattibili riferirsi a questa fascia di prezzo. / Refer to this line of price for all other realizable finishes.

RICAMBI / SPARE PARTS

	9820/32		9610CR
	00904CRDO		9605XXPV *
	00904XXDO □		

* Per le finiture verniciate e satinare il flessibile verrà fornito in PVC nero. / The flexible hose will be supplied in black PVC for painted and matt finishes.
□ Ricambio per finiture diverse dal cromo. / Spare part for different finishes.

ACCESSORI E RICAMBI / ACCESSORIES AND SPARE PARTS



LINE

DESIGN CENTER DIRECTED BY
ANTONIO BONGIO

#citylife



1

METROPOLITAN
lifestyle

LINE

SLANCIO
GRINTOSO

Gritty momentum

#linedesign



3



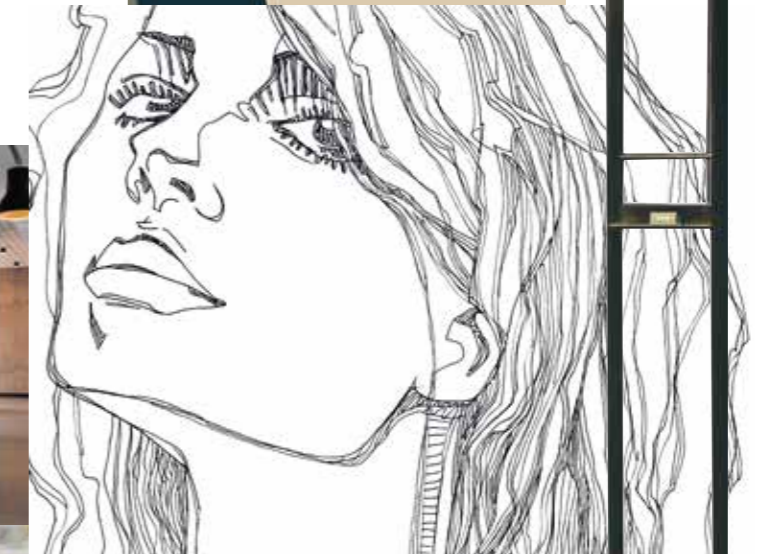
Le forme minimali e pulite enfatizzano lo stile aggressivo e ricercato di LINE. Lo slancio del corpo e del comando, le linee definite, la disponibilità nelle finiture bianco, nero e cromo e la serie completa di accessori lo rendono perfetto per ambienti dal total look grintoso e di tendenza.

Minimal and clean shapes emphasise LINE's aggressive and refined style. The momentum of the body and handle, the clear-cut lines and variety of finishes in white, black and chrome along with the full range of accessories make LINE perfect to decorate living spaces with a gritty and trendy total look.

1. Art. 67521NEPR
2. Art. DR100NEUB
3. Art. 43001CRDA
4. Art. SI302NE40



4



2

#urbanmood



SPECIAL THANKS TO


Tecnografica
 italian wallpaper

www.tecnografica.net



LAVABO / WASHBASIN
Art. 67539FAPR

VASCA / BATHTUB
Art. 67534FA0DPR

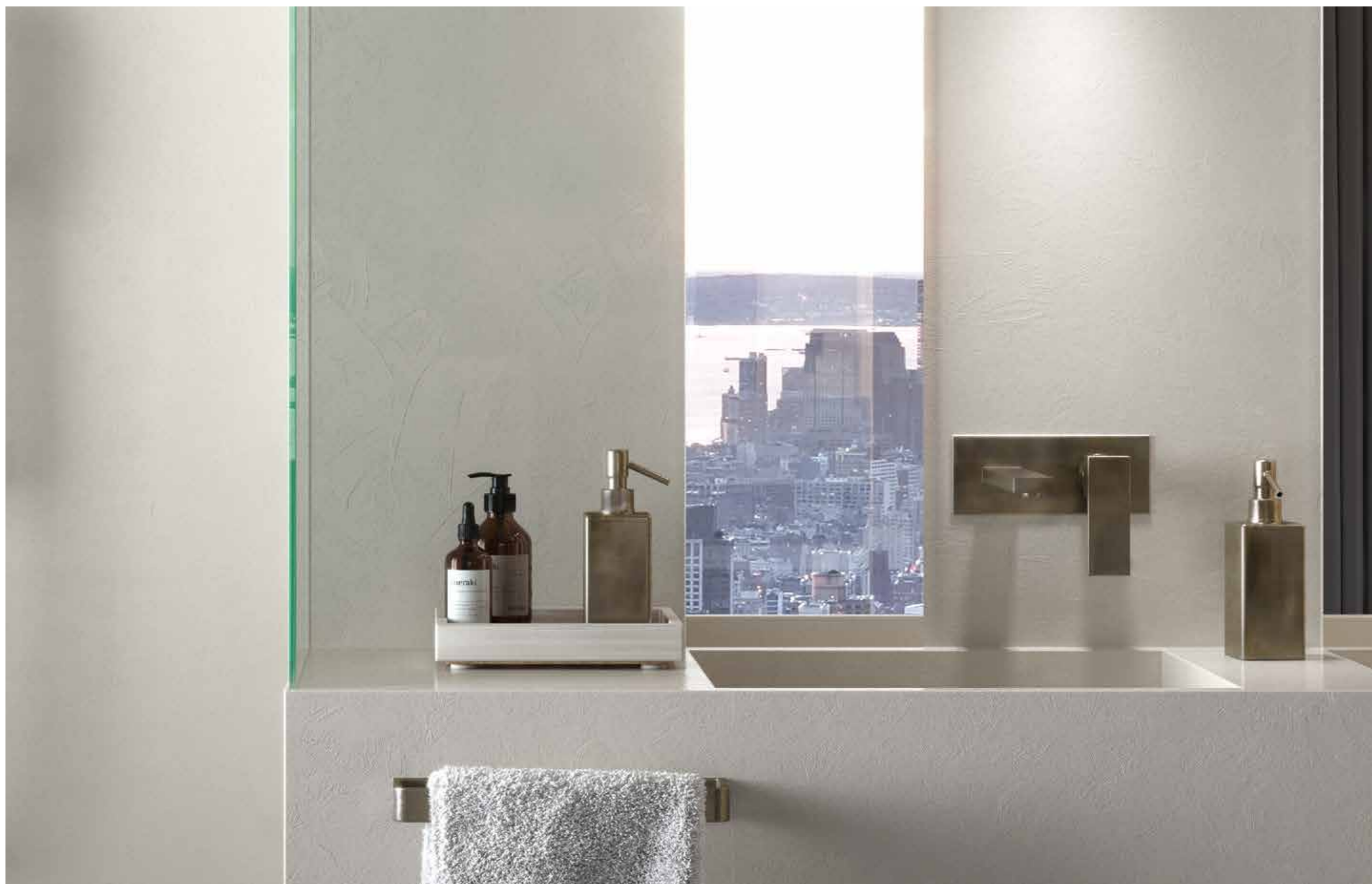
DOCCIA / SHOWER
Art. 67519FA03PR
Art. 00874FA00
Art. 00897FA00
Art. 00889FALL

ACCESSORI / ACCESSORIES
Art. 43027FADA
Art. 43001FADA

ARREDI / FURNITURE
Art. DR100NEUB
Art. DR200NE00
Art. SI302NE40



LAVABO / WASHBASIN
Art. 67520FAPR



LAVABO / WASHBASIN
Art. 67539FAPR

ACCESSORI / ACCESSORIES
Art. 43027FADA
Art. 43007FA60DA



#coldline



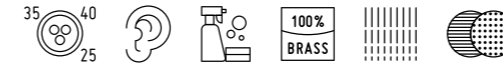
#warmline



LAVABO / WASHBASIN
Art. 67520BIPR

INFORMAZIONI TECNICHE

Technical details



CARTUCCIA: La serie Line è dotata di diverse tipologie di cartucce: cartuccia \varnothing 25 mm e cartuccia \varnothing 35 mm senza distributore. La temperatura d'impianto non deve superare i 70°C. La pressione di esercizio dell'impianto consigliata è di 3 bar.

EROGAZIONE: La serie Line ha un tipo di erogazione morbida. **I lavabi e i bidet sono forniti con limitatore di portata da 6 l/m.**

SISTEMI DI DEVIAZIONE: I deviatori Bongio sono testati per funzionare da un minimo di 0,5 bar pressione.

INSTALLAZIONE: Tutti gli articoli ad incasso Bongio completi sono forniti di relative parti da incassare. Per i miscelatori lavabo e bidet da installarsi su piano, devono essere realizzati fori di \varnothing 35 mm. massimo.

NOTA FINITURE FA / TT: I prodotti nelle finiture Ferro Antico (FA) e Terra di Toscana (TT) vengono realizzati con trattamenti manuali e, data la particolare lavorazione artigianale, possono presentare una colorazione non uniforme.

CARTRIDGE: Line series uses different kind of cartridges: \varnothing 25 mms and \varnothing 35 mms without distributor.

The temperature of the plant must not exceed 70°. The ideal working pressure of the plant is 3 bar.

SUPPLY: Line series has a soft supply. **Basin and bidet mixers have a standard limitation of flow to 6 l/m which reduces the water waste.**

DIVERTING SYSTEMS: Bongio diverters have been tested to work properly starting from a minimum 0,5 bar pressure

INSTALLATION: All the built-in Bongio items are available with universal raw built-in body.

For the basin and bidet mixers - single or three holes - to be place on top deck, they require \varnothing 35 mms maximum holes.

FINISHES NOTE FA / TT: Products in Ferro Antico (FA) and Terra di Toscana (TT) finish are made with manual treatments and may therefore display colour variations due to the particular craftsmanship.

FINITURE E COLORI / FINISHES AND COLOURS

DETTAGLI / MORE INFO PAG. 38



CR
Cromo
Chrome



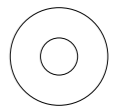
NS
Nichel Spazzolato
Brushed Nickel



FA
Ferro Antico
Old Iron



NE
Nero Opaco
Matt Black
(RAL 9005)



BI
Bianco Opaco
Matt White



CM
Cromo Satinato
Matt Chrome



NM
Cromo Nero Satinato
Matt Black Chrome



IM
Nichel Satinato
Matt Nickel



HM
Oro Francese Satinato
Matt French Gold



OM
Oro Satinato
Matt Gold



AM
Oro Rosa Satinato
Matt Rose Gold



CN*
Cromo Nero
Black Chrome

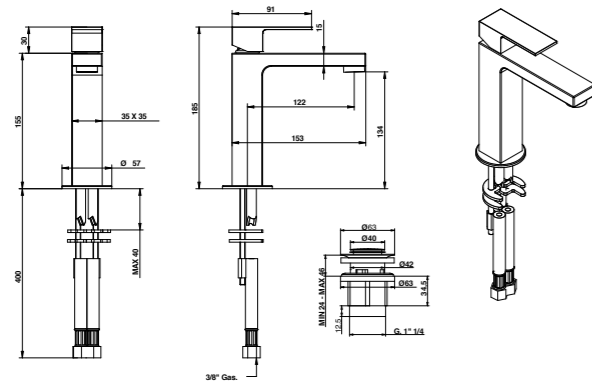


OR*
Oro 24kt
24kt Gold

* Disponibile su richiesta / Available on request

67521/PR

Miscelatore lavabo con piletta clic-clac ottone. Basin mixer with clic-clac waste. ottone.



ARTICOLO COMPLETO / COMPLETE ITEM

67521CRPR
CR

67521BIPR
BI/NE

67521NSPR
NS

67521FAPR
FA

67521CMPR
CM/IM/CN

67521AMPR
AM/NM/OM/HM

67521XXPR *
XX

* XX: Per tutte le altre finiture fattibili riferirsi a questa fascia di prezzo. / Refer to this line of price for all other realizable finishes.

Non disponibile in BU - TT - BM - ON / Not available BU - TT - BM - ON

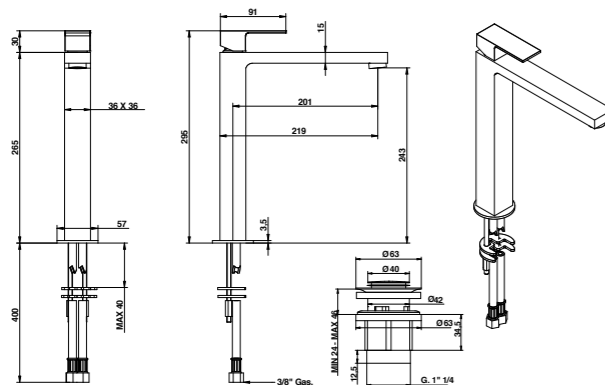
ABBINABILE A / TO MATCH WITH:
Sifone / Siphon - **00067CROQ**

RICAMBI / SPARE PARTS

	9870		9998CR
--	------	--	--------

67520/PR NEW

Miscelatore lavabo con bocca lunga, prolunga 15 cm e scarico clic-clac ottone. Basin mixer with long spout, 15 cms. extension and clic-clac waste. ottone.



ARTICOLO COMPLETO / COMPLETE ITEM

67520CRPR
CR

67520BIPR
BI/NE

67520NSPR
NS

67520FAPR
FA

67520CMPR
CM/IM/CN

67520AMPR
AM/NM/OM/HM

67520XXPR *
XX

* XX: Per tutte le altre finiture fattibili riferirsi a questa fascia di prezzo. / Refer to this line of price for all other realizable finishes.

Non disponibile in BU - TT - BM - ON / Not available BU - TT - BM - ON

ABBINABILE A / TO MATCH WITH:
Sifone / Siphon - **00067CROQ**

RICAMBI / SPARE PARTS

	9870		9998CR
--	------	--	--------

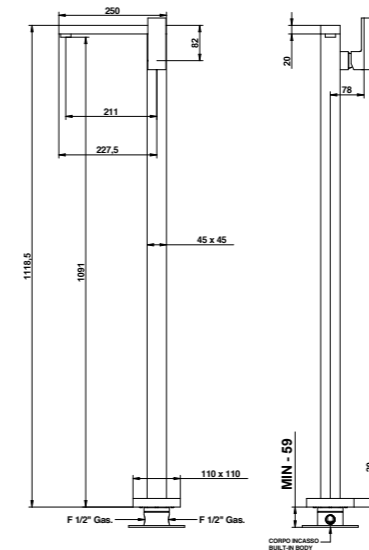
FINITURE E COLORI / FINISHES AND COLOURS



* Disponibile su richiesta / Available on demand

67533/PR

Miscelatore lavabo a pavimento. Floor mounted basin mixer.



RICAMBI / SPARE PARTS

	9813		9984CR
--	------	--	--------

ARTICOLO COMPLETO / COMPLETE ITEM

67533CRPR
CR

PARTE INCASSO
BUILT-IN PART

PARTE ESTERNA DA ABBINARE
EXTERNAL MATCHING PART

09744

FINITURE / FINISHES

67533CRPREU
CR

67533BIPREU
BI/NE

67533NSPREU
NS

67533FAPREU
FA

67533CMPREU
CM/IM/CN

67533AMPREU
AM/NM/OM/HM

67533XXPREU *
XX

* XX: Per tutte le altre finiture fattibili riferirsi a questa fascia di prezzo. / Refer to this line of price for all other realizable finishes.

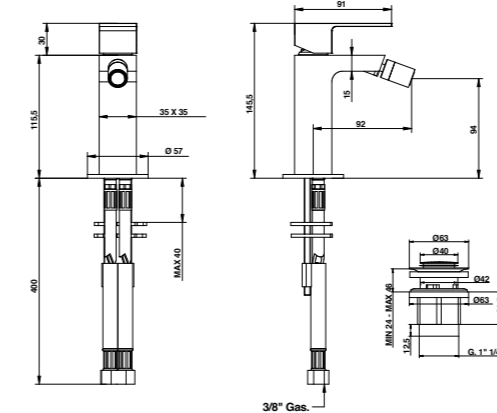
Non disponibile in BU - TT - BM - ON / Not available BU - TT - BM - ON

ABBINABILE A / TO MATCH WITH:
Sifone / Siphon - **00067CROQ**

Piletta clic-clac / Clic-clac waste - **00079CROQ**

67522/PR

Miscelatore bidet con piletta clic-clac ottone. Bidet mixer with brass clic-clac waste. ottone.



ARTICOLO COMPLETO / COMPLETE ITEM

67522CRPR
CR

67522BIPR
BI/NE

67522NSPR
NS

67522FAPR
FA

67522CMPR
CM/IM/CN

67522AMPR
AM/NM/OM/HM

67522XXPR *
XX

* XX: Per tutte le altre finiture fattibili riferirsi a questa fascia di prezzo. / Refer to this line of price for all other realizable finishes.

Non disponibile in BU - TT - BM - ON / Not available BU - TT - BM - ON

RICAMBI / SPARE PARTS

	9870		9976CR
--	------	--	--------

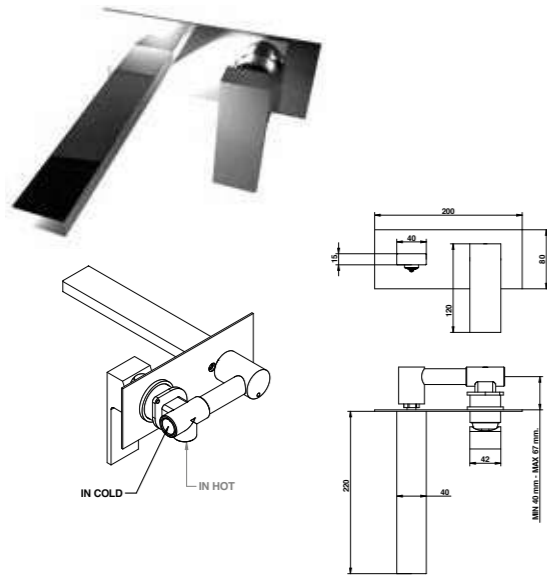
ACCESSORI E RICAMBI / ACCESSORIES AND SPARE PARTS



67539/PR

Miscelatore lavabo incasso con bocca 220 mm e piastra.

Built-in basin mixer with 220 mms. spout and plate.



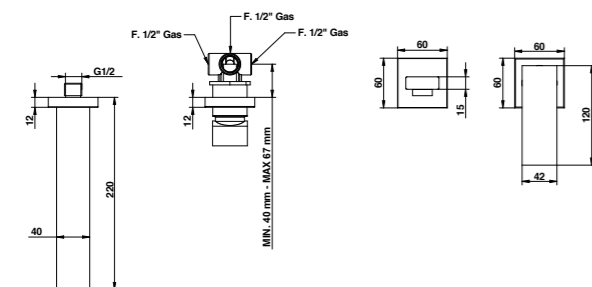
ABBINABILE A / TO MATCH WITH:
Sifone / Siphon - **00067CR00**
Piletta clic-clac / Clic-clac waste - **00079CR00**

RICAMBI / SPARE PARTS

	9813		9984
--	------	--	------

67538/22PR

Miscelatore lavabo incasso con bocca 22 cms. Built-in basin mixer with 22 cms. spout.



RICAMBI / SPARE PARTS

	9813		9984
--	------	--	------

PROLUNGA / MIXER EXTENSION

	00100CRPRR
--	------------

FINITURE E COLORI / FINISHES AND COLOURS



* Disponibile su richiesta / Available on demand

ARTICOLO COMPLETO / COMPLETE ITEM

67539CRPR
CR

PARTE INCASSO / BUILT-IN PART
PARTE ESTERNA DA ABBINARE / EXTERNAL MATCHING PART

09729

FINITURE / FINISHES

67539CRPREU
CR

67539BIPREU *
BI/NE

67539NSPREU
NS

67539FAPREU *
FA

67539CMPREU *
CM/IM/CN

67539AMPREU *
AM/NM/OM/HM

67539XXPREU □
XX

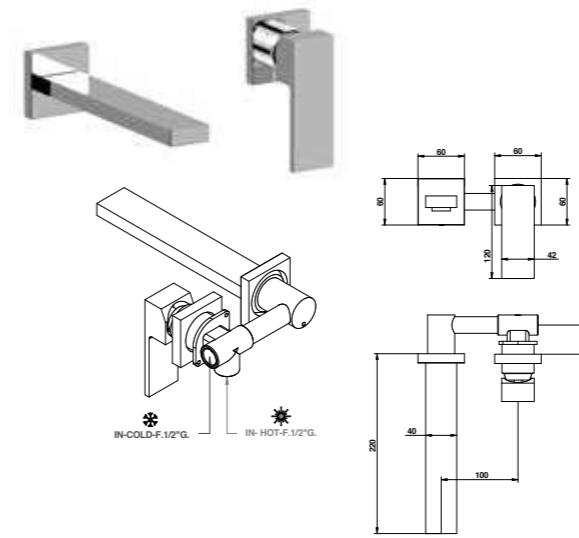
* Nelle varianti colore verniciate e satinare alcuni particolari saranno in finitura galvanica per garantire gli standard qualitativi. / To assure our quality standard on colored and satin product, some details remain in galvanic finishes.
□ XX: Per tutte le altre finiture fattibili riferirsi a questa fascia di prezzo. / Refer to this line of price for all other realizable finishes.

Non disponibile in BU - TT - BM - ON / Not available BU - TT - BM - ON

67538/2APR

Miscelatore lavabo incasso con bocca 220 mm completo di connessioni incasso.

Built-in basin mixer with 220 mms. spout complete with built-in connections.



ABBINABILE A / TO MATCH WITH:
Sifone / Siphon - **00067CR00**
Piletta clic-clac / Clic-clac waste - **00079CR00**

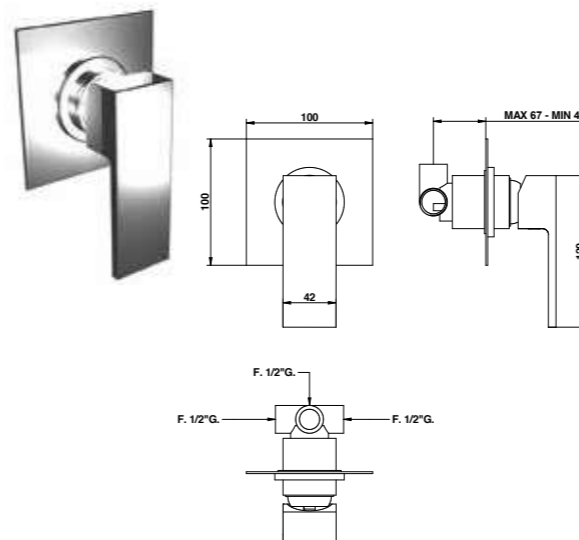
RICAMBI / SPARE PARTS

	9813		9984
--	------	--	------

67524/PR

Miscelatore incasso.

Built in mixer.



RICAMBI / SPARE PARTS

	9813
--	------

ACCESSORI E RICAMBI / ACCESSORIES AND SPARE PARTS



ARTICOLO COMPLETO / COMPLETE ITEM

67538CR2APR
CR

PARTE INCASSO / BUILT-IN PART
PARTE ESTERNA DA ABBINARE / EXTERNAL MATCHING PART

09729

FINITURE / FINISHES

67538CR2APREU
CR

67538BI2APREU *
BI/NE

67538NS2APREU
NS

67538FA2APREU *
FA

67538CM2APREU *
CM/IM/CN

67538AM2APREU *
AM/NM/OM/HM

67538XX2APREU □
XX

* Nelle varianti colore verniciate e satinare alcuni particolari saranno in finitura galvanica per garantire gli standard qualitativi. / To assure our quality standard on colored and satin product, some details remain in galvanic finishes.
□ XX: Per tutte le altre finiture fattibili riferirsi a questa fascia di prezzo. / Refer to this line of price for all other realizable finishes.

Non disponibile in BU - TT - BM - ON / Not available BU - TT - BM - ON

ARTICOLO COMPLETO / COMPLETE ITEM

67524CRPR
CR

PARTE INCASSO / BUILT-IN PART
PARTE ESTERNA DA ABBINARE / EXTERNAL MATCHING PART

09761

FINITURE / FINISHES

67524CRPREU
CR

67524BIPREU *
BI/NE

67524NSPREU
NS

67524FAPREU *
FA

67524CMPREU *
CM/IM/CN

67524AMPREU *
AM/NM/OM/HM

67524XXPREU □
XX

* Nelle varianti colore verniciate e satinare alcuni particolari saranno in finitura galvanica per garantire gli standard qualitativi. / To assure our quality standard on colored and satin product, some details remain in galvanic finishes.
□ XX: Per tutte le altre finiture fattibili riferirsi a questa fascia di prezzo. / Refer to this line of price for all other realizable finishes.

Non disponibile in BU - ON - TT - BM / Not available BU - ON - TT - BM

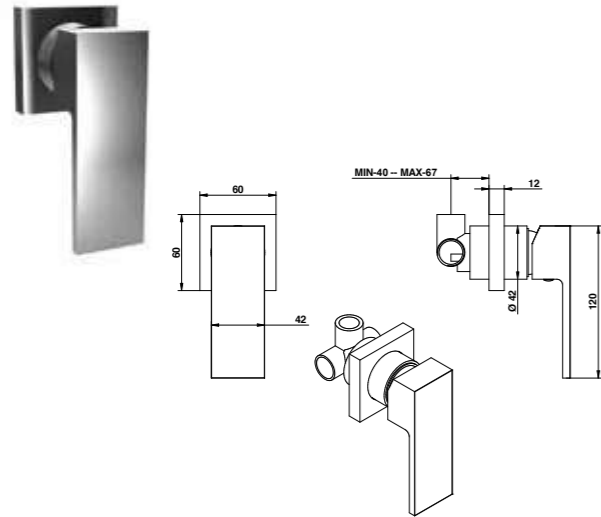
PROLUNGA / MIXER EXTENSION

	00100CRPRR
--	------------

67524/RPPR

Miscelatore incasso.

Built in mixer.



PROLUNGA / MIXER EXTENSION

00100CRPPR

OPTIONAL: Scatola incasso per cartongesso / Built-in box for drywall and cavity wall **09702PBOX**

RICAMBI / SPARE PARTS

9813

ARTICOLO COMPLETO / COMPLETE ITEM

67524CRPPR
CRPARTE INCASSO
BUILT-IN PARTPARTE ESTERNA DA ABBINARE
EXTERNAL MATCHING PART

FINITURE / FINISHES

09761

67524CRPPREU
CR67524BIRPPREU *
BI/NE67524NSRPPREU
NS67524FARPPREU *
FA67524CMRPPREU *
CM/IM/CN67524AMRPPREU *
AM/NM/OM/HM67524XXRPPREU □
XX

* Nelle varianti colore verniciate e satinare alcuni particolari saranno in finitura galvanica per garantire gli standard qualitativi. / To assure our quality standard on colored and satin product, some details remain in galvanic finishes.
□ XX: Per tutte le altre finiture fattibili riferirsi a questa fascia di prezzo. / Refer to this line of price for all other realizable finishes.

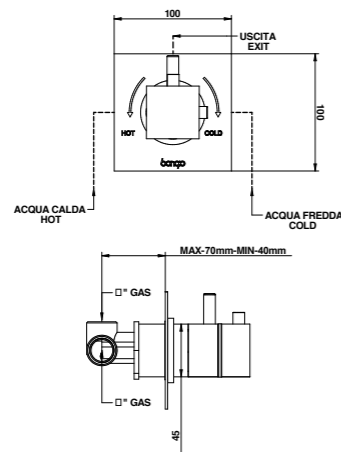
Non disponibile in BU - TT - BM - ON / Not available BU - TT - BM - ON

OPTIONAL: Scatola incasso per cartongesso / Built-in box for drywall and cavity wall **09702PBOX**

67544/PR

Termostatico coassiale incasso.

Coaxial thermostatic built-in mixer.



ARTICOLO COMPLETO / COMPLETE ITEM

67544CRPR
CR67544BIPR *
BI/NE67544NSPR
NS67544CMPR *
CM/IM/CN67544AMPR *
AM/NM/OM/HM67544XXPR □
XX

* Nelle varianti colore verniciate e satinare alcuni particolari saranno in finitura galvanica per garantire gli standard qualitativi. / To assure our quality standard on colored and satin product, some details remain in galvanic finishes.
□ XX: Per tutte le altre finiture fattibili riferirsi a questa fascia di prezzo. / Refer to this line of price for all other realizable finishes.

Portata a pressione dinamica 3 bar - 20,5 l/min - 38° Mix. / Flow rates at dynamic pressure 3 bar - 20,5 l/min - 38° Mix.

Non disponibile in BU - TT - BM - ON / Not available BU - TT - BM - ON

Il corpo incasso non può essere anticipato. / Built-in body cannot be delivered separately in advance.

PROLUNGA / MIXER EXTENSION

00107CRPR

OPTIONAL: Scatola incasso per cartongesso / Built-in box for drywall and cavity wall **09702PBOX**

RICAMBI / SPARE PARTS

9811

FINITURE E COLORI / FINISHES AND COLOURS

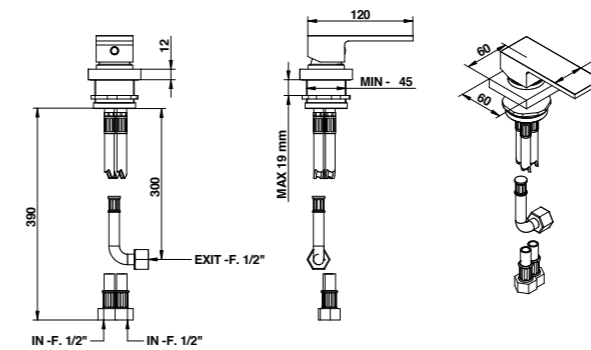


* Disponibile su richiesta / Available on demand

67510/PR

Miscelatore bordo piano.

Mixer for deck installation.



ARTICOLO COMPLETO / COMPLETE ITEM

67510CRPR
CR67510BIPR *
BI/NE67510NSPR
NS67510FAPR *
FA67510CMPR *
CM/IM/CN67510AMPR *
AM/NM/OM/HM67510XXPR □
XX

* Nelle varianti colore verniciate e satinare alcuni particolari saranno in finitura galvanica per garantire gli standard qualitativi. / To assure our quality standard on colored and satin product, some details remain in galvanic finishes.

□ XX: Per tutte le altre finiture fattibili riferirsi a questa fascia di prezzo. / Refer to this line of price for all other realizable finishes.

Non disponibile in BU - TT - BM - ON / Not available BU - TT - BM - ON

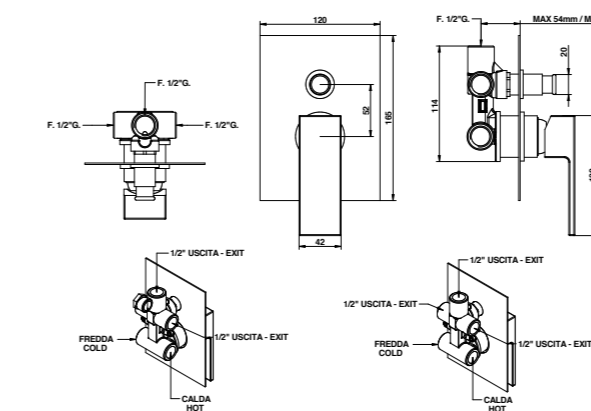
RICAMBI / SPARE PARTS

9813

67529/PR

Miscelatore incasso con deviatore automatico a 2 uscite.

Built-in mixer with 2 way automatic diverter.



ARTICOLO COMPLETO / COMPLETE ITEM

67529CRPR
CR

Non disponibile in altre finiture. / Not available in other finishes.

Il corpo incasso non può essere anticipato. / Built-in body cannot be delivered separately in advance.

PROLUNGA / MIXER EXTENSION

00102CRPPR

OPTIONAL: Scatola incasso per cartongesso / Built-in box for drywall and cavity wall **09702PBOX**

RICAMBI / SPARE PARTS

9813

00114CRPR

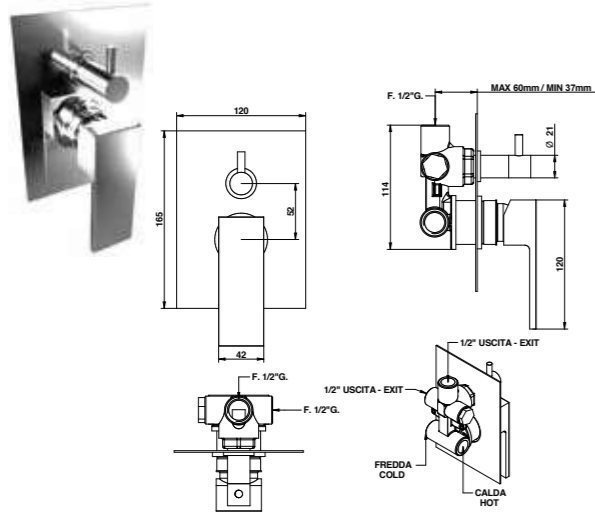
ACCESSORI E RICAMBI / ACCESSORIES AND SPARE PARTS



67519/PR

Miscelatore incasso con deviatore meccanico a 2 uscite.

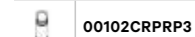
Built-in mixer with 2 way mechanical diverter.



RICAMBI / SPARE PARTS



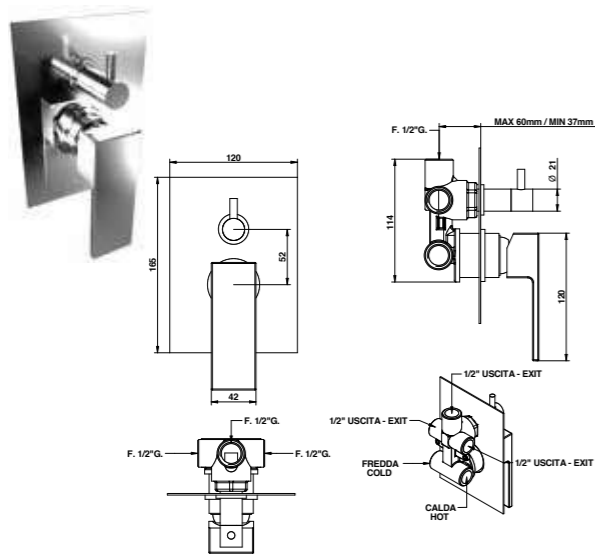
PROLUNGA / MIXER EXTENSION



67519/3PR

Miscelatore incasso con deviatore meccanico a 3 uscite.

Built-in mixer with 3 way mechanical diverter.



OPTIONAL: Scatola incasso per cartongesso / Built-in box for drywall and cavity wall **09702PBOX**

RICAMBI / SPARE PARTS



FINITURE E COLORI / FINISHES AND COLOURS



ARTICOLO COMPLETO / COMPLETE ITEM

67519CRPR
CR

PARTE INCASSO
BUILT-IN PART

PARTE ESTERNA DA ABBINARE
EXTERNAL MATCHING PART

09763

FINITURE / FINISHES

67519CRPREU
CR

67519BIPREU *
BI/NE

67519NSPREU
NS

67519FAPREU *
FA

67519CMPREU *
CM/IM/CN

67519AMPREU *
AM/NM/OM/HM

67519XXPREU □
XX

* Nelle varianti colore verniciate e satinare alcuni particolari saranno in finitura galvanica per garantire gli standard qualitativi. / To assure our quality standard on colored and satin product, some details remain in galvanic finishes.

□ XX: Per tutte le altre finiture fattibili riferirsi a questa fascia di prezzo. / Refer to this line of price for all other realizable finishes.

Non disponibile in BU - TT - BM - ON / Not available BU - TT - BM - ON

OPTIONAL: Scatola incasso per cartongesso / Built-in box for drywall and cavity wall **09702PBOX**

ARTICOLO COMPLETO / COMPLETE ITEM

67519CR03PR
CR

PARTE INCASSO
BUILT-IN PART

PARTE ESTERNA DA ABBINARE
EXTERNAL MATCHING PART

09763/3

FINITURE / FINISHES

67519CR03PREU
CR

67519BI03PREU *
BI/NE

67519NS03PREU
NS

67519FA03PREU *
FA

67519CM03PREU *
CM/IM/CN

67519AM03PREU *
AM/NM/OM/HM

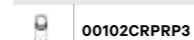
67519XX03PREU □
XX

* Nelle varianti colore verniciate e satinare alcuni particolari saranno in finitura galvanica per garantire gli standard qualitativi. / To assure our quality standard on colored and satin product, some details remain in galvanic finishes.

□ XX: Per tutte le altre finiture fattibili riferirsi a questa fascia di prezzo. / Refer to this line of price for all other realizable finishes.

Non disponibile in BU - TT - BM - ON / Not available BU - TT - BM - ON

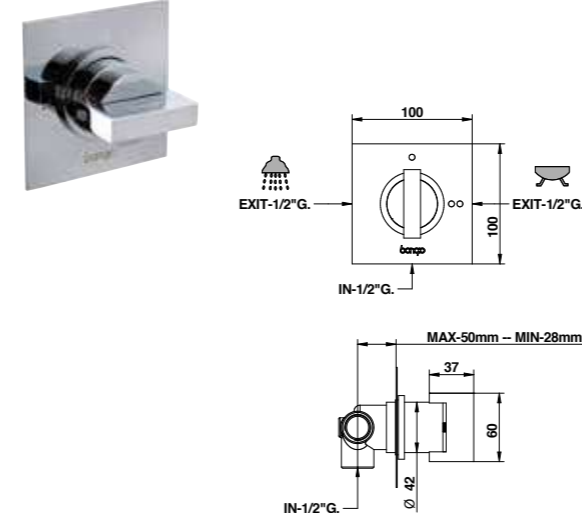
PROLUNGA / MIXER EXTENSION



67525/2PR

Deviatore a 2 uscite (1 entrata - 2 uscite).

2 way diverter (1 in - 2 out).



PROLUNGA / MIXER EXTENSION



RICAMBI / SPARE PARTS



ARTICOLO COMPLETO / COMPLETE ITEM

67525CR02PR
CR

PARTE INCASSO
BUILT-IN PART

PARTE ESTERNA DA ABBINARE
EXTERNAL MATCHING PART

9491/2

FINITURE / FINISHES

67525CR02PREU
CR

67525BI02PREU
BI/NE

67525NS02PREU
NS

67525FA02PREU
FA

67525CM02PREU
CM/IM/CN

67525AM02PREU
AM/NM/OM/HM

67525XX02PREU *
XX

* XX: Per tutte le altre finiture fattibili riferirsi a questa fascia di prezzo. / Refer to this line of price for all other realizable finishes.

Non disponibile in BU - TT - BM - ON / Not available BU - TT - BM - ON

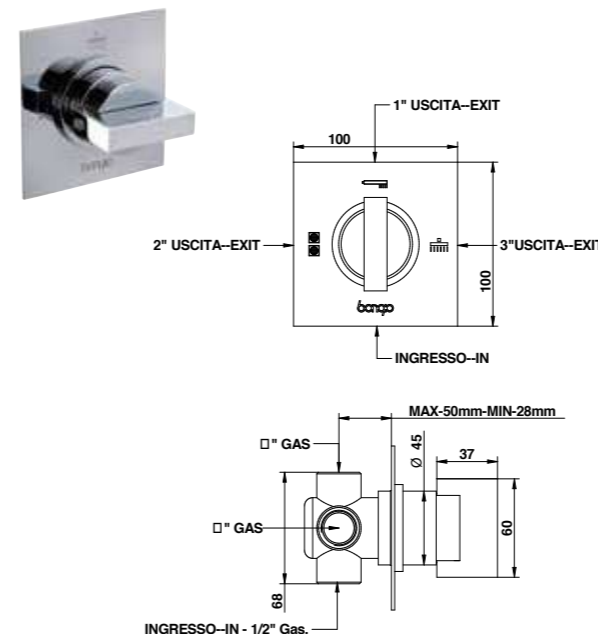
ABBINABILE A / TO MATCH WITH:

Miscelatore incasso / Built-in mixer - **67524**
Miscelatore incasso / Built-in mixer - **67544**

67525/3PR

Deviatore a 3 uscite (1 entrata - 3 uscite).

3 ways diverter (1 in - 3 out).



RICAMBI / SPARE PARTS



ARTICOLO COMPLETO / COMPLETE ITEM

67525CR03PR
CR

PARTE INCASSO
BUILT-IN PART

PARTE ESTERNA DA ABBINARE
EXTERNAL MATCHING PART

9494

FINITURE / FINISHES

67525CR03PREU
CR

67525BI03PREU
BI/NE

67525NS03PREU
NS

67525FA03PREU
FA

67525CM03PREU
CM/IM/CN

67525AM03PREU
AM/NM/OM/HM

67525XX03PREU *
XX

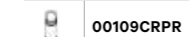
* XX: Per tutte le altre finiture fattibili riferirsi a questa fascia di prezzo. / Refer to this line of price for all other realizable finishes.

Non disponibile in BU - TT - BM - ON / Not available BU - TT - BM - ON

ABBINABILE A / TO MATCH WITH:

Miscelatore incasso / Built-in mixer - **67524**
Miscelatore incasso / Built-in mixer - **67544**

PROLUNGA / MIXER EXTENSION



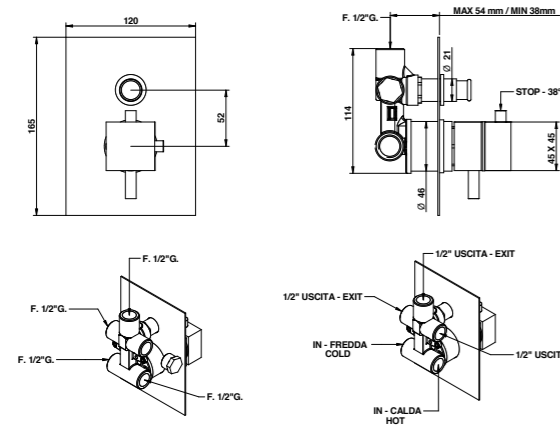
ACCESSORI E RICAMBI / ACCESSORIES AND SPARE PARTS



* Disponibile su richiesta / Available on demand

67549/PR

Termostatico incasso coassiale con deviatore automatico a 2 uscite. / Coaxial built-in thermostatic mixer with 2 way automatic diverter.



ARTICOLO COMPLETO / COMPLETE ITEM

67549CRPR
CR

67549BIPR *
BI/NE

67549NSPR
NS

67549CMPR *
CM/IM/CN

67549AMP *
AM/NM/OM/HM

67549XXPR □
XX

* Nelle varianti colore verniciate e satinare alcuni particolari saranno in finitura galvanica per garantire gli standard qualitativi. / To assure our quality standard on colored and satin product, some details remain in galvanic finishes.
□ XX: Per tutte le altre finiture fattibili riferirsi a questa fascia di prezzo. / Refer to this line of price for all other realizable finishes.

Non disponibile in BU - TT - BM - ON / Not available BU - TT - BM - ON

Il corpo incasso non può essere anticipato. / Built-in body cannot be delivered separately in advance.

PROLUNGA / MIXER EXTENSION

00108CRPRP

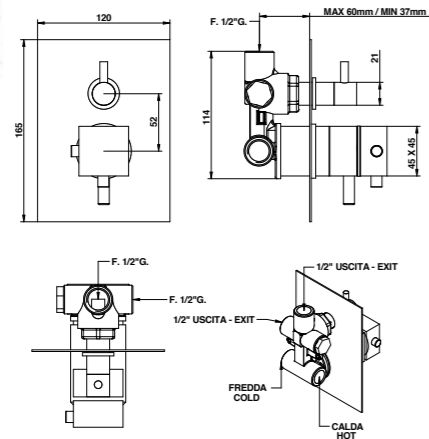
OPTIONAL: Scatola incasso per cartongesso / Built-in box for drywall and cavity wall **09702PBOX**

RICAMBI / SPARE PARTS

9811 **00114CRPR**

67569/PR

Termostatico incasso coassiale con deviatore meccanico a 2 uscite. / Coaxial built-in thermostatic mixer with 2 way mechanical diverter.



ARTICOLO COMPLETO / COMPLETE ITEM

67569CRPR
CR

PARTE INCASSO / **PARTE ESTERNA DA ABBINARE**
BUILT-IN PART / EXTERNAL MATCHING PART

09766

FINITURE / FINISHES

67569CRPREU
CR

67569BIPREU *
BI/NE

67569NSPREU
NS

67569CMPREU *
CM/IM/CN

67569AMPREU *
AM/NM/OM/HM

67569XXPREU □
XX

* Nelle varianti colore verniciate e satinare alcuni particolari saranno in finitura galvanica per garantire gli standard qualitativi. / To assure our quality standard on colored and satin product, some details remain in galvanic finishes.
□ XX: Per tutte le altre finiture fattibili riferirsi a questa fascia di prezzo. / Refer to this line of price for all other realizable finishes.

Portata a pressione dinamica 3 bar - 17 l/min - 38° Mix / Flow rates at dynamic pressure 3 bar - 17 l/min - 38° Mix

Non disponibile in BU - TT - BM - ON / Non disponibile in BU - TT - BM - ON

PROLUNGA / MIXER EXTENSION

00102CRPRP3

OPTIONAL: Scatola incasso per cartongesso / Built-in box for drywall and cavity wall **09702PBOX**

RICAMBI / SPARE PARTS

9250 **09861**

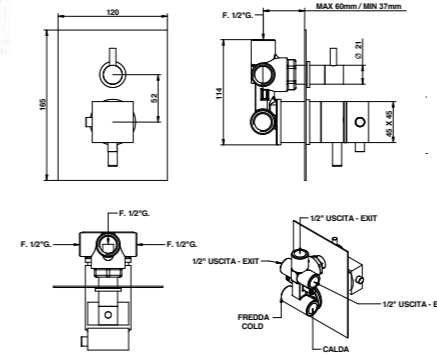
FINITURE E COLORI / FINISHES AND COLOURS



* Disponibile su richiesta / Available on demand

67569/3PR

Miscelatore termostatico incasso coassiale con deviatore meccanico a 3 uscite. / Coaxial built-in thermostatic mixer with 3 way mechanical diverter.



PROLUNGA / MIXER EXTENSION

00102CRPRP3

RICAMBI / SPARE PARTS

9250 **09860**

ARTICOLO COMPLETO / COMPLETE ITEM

67569CR03PR
CR

PARTE INCASSO / **PARTE ESTERNA DA ABBINARE**
BUILT-IN PART / EXTERNAL MATCHING PART

09766/03

FINITURE / FINISHES

67569CR03PREU
CR

67569BI03PREU *
BI/NE

67569NS03PREU
NS

67569CM03PREU *
CM/IM/CN

67569AM03PREU *
AM/NM/OM/HM

67569XX03PREU □
XX

* Nelle varianti colore verniciate e satinare alcuni particolari saranno in finitura galvanica per garantire gli standard qualitativi. / To assure our quality standard on colored and satin product, some details remain in galvanic finishes.
□ XX: Per tutte le altre finiture fattibili riferirsi a questa fascia di prezzo. / Refer to this line of price for all other realizable finishes.

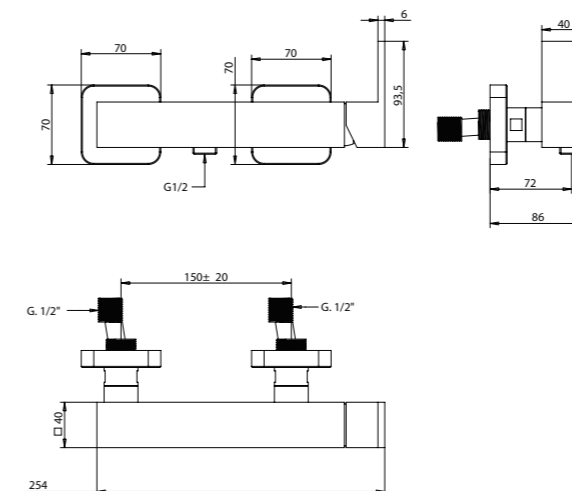
Portata a pressione dinamica 3 bar - 17 l/min - 38° Mix / Flow rates at dynamic pressure 3 bar - 17 l/min - 38° Mix

Non disponibile in BU - TT - BM - ON / Not available BU - TT - BM - ON

OPTIONAL: Scatola incasso per cartongesso / Built-in box for drywall and cavity wall **09702PBOX**

67523/PR

Miscelatore doccia esterno. / External shower mixer.



ARTICOLO COMPLETO / COMPLETE ITEM

67523CRPR
CR

67523NEPR
NE/BI

67523NSPR
NS

67523FAPR
FA

67523CMPR
CM/IM/CN

67523AMP
AM/NM/OM/HM

67523XXPR *
XX

* XX: Per tutte le altre finiture fattibili riferirsi a questa fascia di prezzo. / Refer to this line of price for all other realizable finishes.

Non disponibile in BU - TT - BM - ON / Not available BU - TT - BM - ON

ABBINABILE A / TO MATCH WITH:
Saliscendi / Sliding rail - **874**

RICAMBI / SPARE PARTS

9838

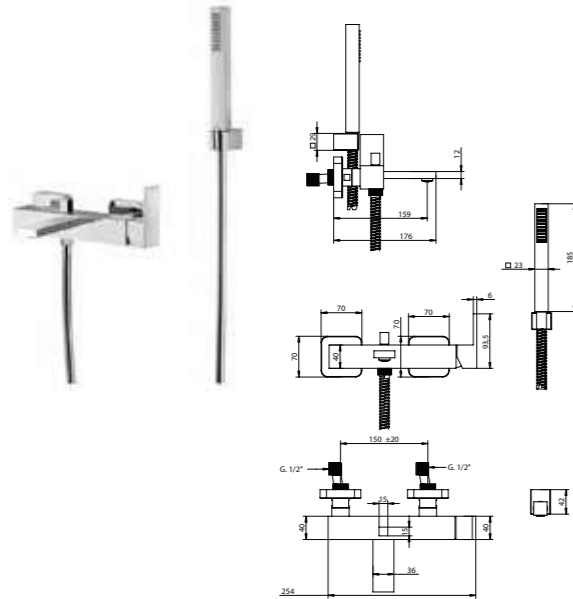
ACCESSORI E RICAMBI / ACCESSORIES AND SPARE PARTS



67526/DPR

Miscelatore vasca esterno con set doccia. External bath and shower mixer with duplex shower set.

Dettaglio flessibili / Flexible details pag. 42



* Ricambio per finiture diverse dal cromo. / Spare part for different finishes.
 □ Per le finiture verniciate e satinare il flessibile verrà fornito in PVC nero. / The flexible hose will be supplied in black PVC for painted and matt finishes.

ARTICOLO COMPLETO / COMPLETE ITEM

67526CR0DPR
CR

67526BI0DPR *
BI/NE

67526NS0DPR
NS

67526FA0DPR *
FA

67526CM0DPR *
CM/IM/CN

67526AM0DPR *
AM/NM/OM/HM

67526XX0DPR □
XX

* Nelle varianti colore verniciate e satinare alcuni particolari saranno in finitura galvanica per garantire gli standard qualitativi. / To assure our quality standard on colored and satin product, some details remain in galvanic finishes.
 □ XX: Per tutte le altre finiture fattibili riferirsi a questa fascia di prezzo. / Refer to this line of price for all other realizable finishes.

Non disponibile in BU - TT - BM - ON / Not available BU - TT - BM - ON

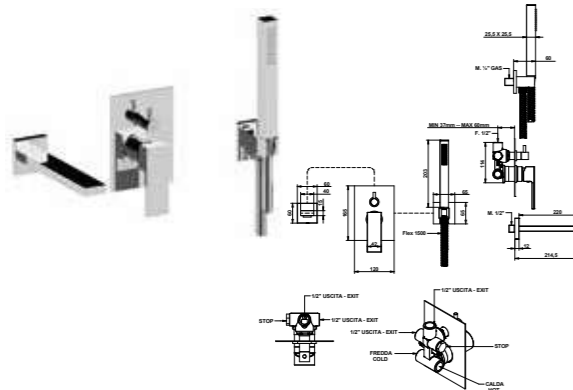
RICAMBI / SPARE PARTS

	9838		9982
	9611CR		00854CROE
	00115CRPR		00854XX00 *
	9600XXPV □		

67530/DPR

Gruppo vasca incasso con set doccia duplex e deviatore meccanico. Built-in bath and shower mixer with duplex shower set and mechanical diverter.

Dettaglio flessibili / Flexible details pag. 42



OPTIONAL: Scatola incasso per cartongesso / Built-in box for drywall and cavity wall **09702PBOX**

RICAMBI / SPARE PARTS

	9813		9984/VA
	9611CR		00854CROE
	9861		00854XX00 *
	9600XXPV □		

* Ricambio per finiture diverse dal cromo. / Spare part for different finishes.
 □ Per le finiture verniciate e satinare il flessibile verrà fornito in PVC nero. / The flexible hose will be supplied in black PVC for painted and matt finishes.

ARTICOLO COMPLETO / COMPLETE ITEM

67530CR0DPR
CR

PARTE INCASSO
BUILT-IN PART

PARTE ESTERNA DA ABBINARE
EXTERNAL MATCHING PART

9763

FINITURE / FINISHES

67530CR0DPREU
CR

67530BI0DPREU *
BI/NE

67530NS0DPREU
NS

67530FA0DPREU *
FA

67530CM0DPREU *
CM/IM/CN

67530AM0DPREU *
AM/NM/OM/HM

67530XX0DPREU □
XX

* Nelle varianti colore verniciate e satinare alcuni particolari saranno in finitura galvanica per garantire gli standard qualitativi. / To assure our quality standard on colored and satin product, some details remain in galvanic finishes.
 □ XX: Per tutte le altre finiture fattibili riferirsi a questa fascia di prezzo. / Refer to this line of price for all other realizable finishes.

Non disponibile in BU - TT - BM - ON / Not available BU - TT - BM - ON

PROLUNGA / MIXER EXTENSION

00102CRPRP3

FINITURE E COLORI / FINISHES AND COLOURS

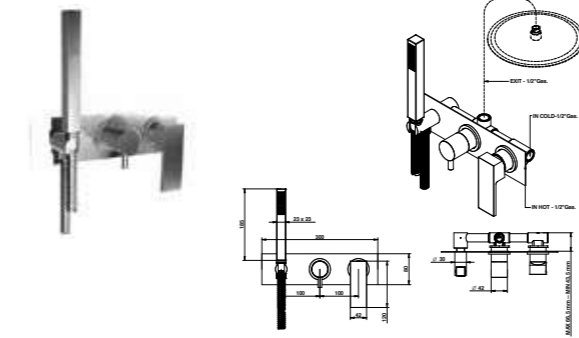


* Disponibile su richiesta / Available on demand

67552/ADPR NEW

Gruppo doccia incasso completo di connessione, miscelatore, deviatore e set doccetta con piastra. Built-in shower mixer with connection, mixer, diverter and handshower set with plate.

Dettaglio flessibili / Flexible details pag. 42



RICAMBI / SPARE PARTS

	9813		9611CR
	00854CROE		9808/2
	00854XX00 *		9600XXPV □

* Ricambio per finiture diverse dal cromo. / Spare part for different finishes.
 □ Per le finiture verniciate e satinare il flessibile verrà fornito in PVC nero. / The flexible hose will be supplied in black PVC for painted and matt finishes.

ARTICOLO COMPLETO / COMPLETE ITEM

67552CRADPR
CR

PARTE INCASSO
BUILT-IN PART

PARTE ESTERNA DA ABBINARE
EXTERNAL MATCHING PART

096900DO

FINITURE / FINISHES

67552CRADPREU
CR

67552BIADPREU *
BI/NE

67552NSADPREU
NS

67552FAADPREU *
FA

67552CMADPREU *
CM/IM/CN

67552AMADPREU *
AM/NM/OM/HM

67552XXADPREU □
XX

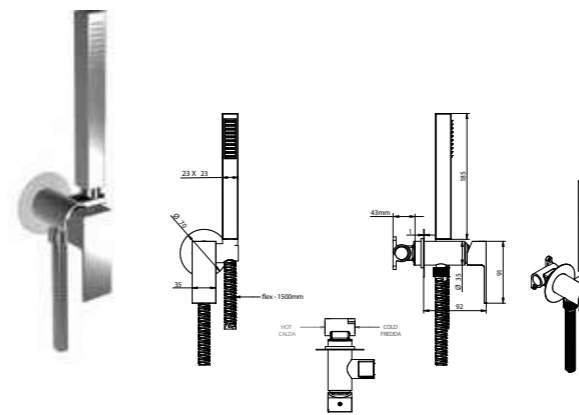
* Nelle varianti colore verniciate e satinare alcuni particolari saranno in finitura galvanica per garantire gli standard qualitativi. / To assure our quality standard on colored and satin product, some details remain in galvanic finishes.
 □ XX: Per tutte le altre finiture fattibili riferirsi a questa fascia di prezzo. / Refer to this line of price for all other realizable finishes.

Non disponibile in BU - TT - BM - ON / Not available BU - TT - BM - ON

67915 NEW

Set doccia ad incasso con miscelatore tradizionale integrato ad uso doccia, vasca e bidet. Duplex shower set with integrated traditional mixer for shower/bathtub and bidet.

Dettaglio flessibili / Flexible details pag. 42



RICAMBI / SPARE PARTS

	9820/32		09611CR
	00854CROE		00854XX00 *
	9600XXPV □		

* Ricambio per finiture diverse dal cromo. / Spare part for different finishes.
 □ Per le finiture verniciate e satinare il flessibile verrà fornito in PVC nero. / The flexible hose will be supplied in black PVC for painted and matt finishes.

ARTICOLO COMPLETO / COMPLETE ITEM

67915CR00
CR

PARTE INCASSO
BUILT-IN PART

PARTE ESTERNA DA ABBINARE
EXTERNAL MATCHING PART

09490/CT

FINITURE / FINISHES

67915CREU
CR

67915BIEU *
BI/NE

67915NSEU
NS

67915FAEU *
FA

67915CMEU *
CM/IM/CN

67915AMEU *
AM/NM/OM/HM

67915XXEU □
XX

* Nelle varianti colore verniciate e satinare alcuni particolari saranno in finitura galvanica per garantire gli standard qualitativi. / To assure our quality standard on colored and satin product, some details remain in galvanic finishes.
 □ XX: Per tutte le altre finiture fattibili riferirsi a questa fascia di prezzo. / Refer to this line of price for all other realizable finishes.

Non disponibile in BU - TT - BM - ON / Not available BU - TT - BM - ON

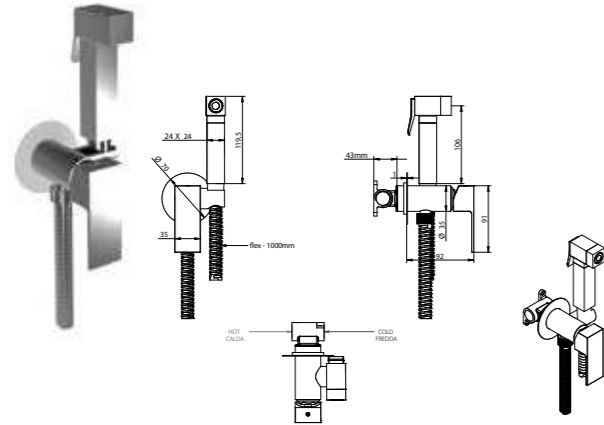
ACCESSORI E RICAMBI / ACCESSORIES AND SPARE PARTS



67916 NEW

Set doccia bidet per wc ad incasso con miscelatore tradizionale integrato e doccetta.

Shattaf shower set for wc with traditional mixer integrated and handshower.



RICAMBI / SPARE PARTS

	9820/32		9610CR
	00910CRDO		9605XXPV *
	00910XXDO □		

* Per le finiture verniciate e satinare il flessibile verrà fornito in PVC nero. / The flexible hose will be supplied in black PVC for painted and matt finishes.
□ Ricambio per finiture diverse dal cromo. / Spare part for different finishes.

ARTICOLO COMPLETO / COMPLETE ITEM

67916CR00
CR

PARTE INCASSO BUILT-IN PART PARTE ESTERNA DA ABBINARE EXTERNAL MATCHING PART

09490/CT

FINITURE / FINISHES

67916CREU
CR

67916BIEU *
BI/NE

67916NSEU
NS

67916FAEU *
FA

67916CMEU *
CM/IM/CN

67916AMEU *
AM/NM/OM/HM

67916XXEU □
XX

* Nelle varianti colore verniciate e satinare alcuni particolari saranno in finitura galvanica per garantire gli standard qualitativi. / To assure our quality standard on colored and satin product, some details remain in galvanic finishes.

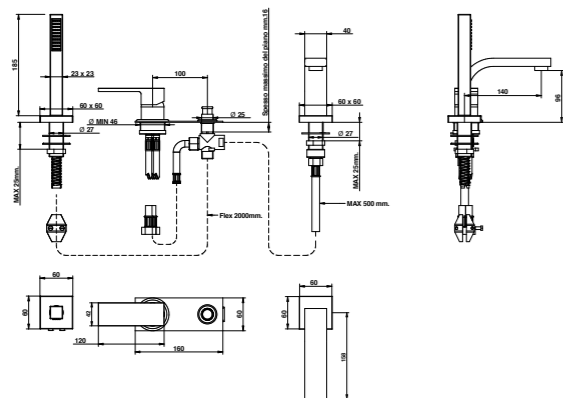
□ XX: Per tutte le altre finiture fattibili riferirsi a questa fascia di prezzo. / Refer to this line of price for all other realizable finishes.

Non disponibile in BU - TT - BM - ON / Not available BU - TT - BM - ON

67531/DPR

Miscelatore bordo vasca con set doccia.

Deck bath mixer with handshower set.



ARTICOLO COMPLETO / COMPLETE ITEM

67531CR0DPR
CR

67531BI0DPR *
BI/NE

67531NS0DPR
NS

67531FA0DPR *
FA

67531CM0DPR *
CM/IM/CN

67531AM0DPR *
AM/NM/OM/HM

67531XX0DPR □
XX

* Nelle varianti colore verniciate e satinare alcuni particolari saranno in finitura galvanica per garantire gli standard qualitativi. / To assure our quality standard on colored and satin product, some details remain in galvanic finishes.

□ XX: Per tutte le altre finiture fattibili riferirsi a questa fascia di prezzo. / Refer to this line of price for all other realizable finishes.

Non disponibile in BU - TT - BM - ON / Not available BU - TT - BM - ON

RICAMBI / SPARE PARTS

	9813		9982
	9606CR		00854CROE
	00127CR		00854XX00 *

* Ricambio per finiture diverse dal cromo. / Spare part for different finishes.

FINITURE E COLORI / FINISHES AND COLOURS



* Disponibile su richiesta / Available on demand

67534/DPR

Miscelatore vasca da pavimento con set doccia.

Floor mounted bath mixer with shower set and diverter.

Dettaglio flessibili / Flexible details pag. 42



ARTICOLO COMPLETO / COMPLETE ITEM

67534CR0DPR
CR

PARTE INCASSO BUILT-IN PART PARTE ESTERNA DA ABBINARE EXTERNAL MATCHING PART

09744

FINITURE / FINISHES

67534CRODPREU
CR

67534BIODPREU *
BI/NE

67534NSODPREU
NS

67534FAODPREU *
FA

67534AMODPREU *
AM/NM/OM/HM

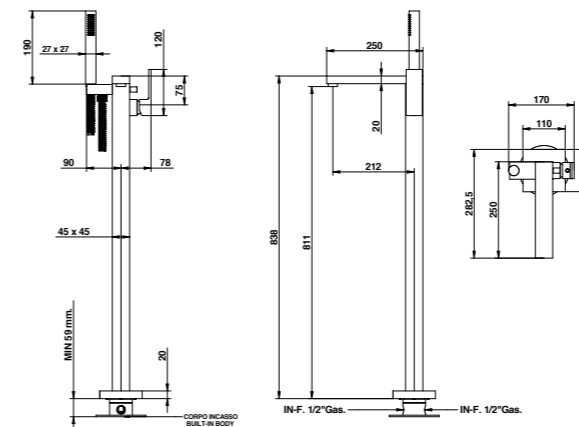
67534CMODPREU *
CM/IM/CN

67534XXODPREU □
XX

* Nelle varianti colore verniciate e satinare alcuni particolari saranno in finitura galvanica per garantire gli standard qualitativi. / To assure our quality standard on colored and satin product, some details remain in galvanic finishes.

□ XX: Per tutte le altre finiture fattibili riferirsi a questa fascia di prezzo. / Refer to this line of price for all other realizable finishes.

Non disponibile in BU - TT - BM - ON / Not available BU - TT - BM - ON

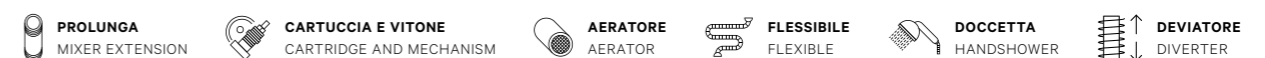


RICAMBI / SPARE PARTS

	9813		9998CR
	9611CR		00854CROE
	00138		00854XX00 *
	9600XXPV □		

* Ricambio per finiture diverse dal cromo. / Spare part for different finishes.
□ Per le finiture verniciate e satinare il flessibile verrà fornito in PVC nero. / The flexible hose will be supplied in black PVC for painted and matt finishes.

ACCESSORI E RICAMBI / ACCESSORIES AND SPARE PARTS



T·MIX T·LEVA LATERALE

DESIGN CENTER DIRECTED BY
ANTONIO BONGIO

#PROJECT



1

CREATIVE DIALOGUE

DETTAGLIO VERSATILE

Versatile details

Funzionalità ed estetica in dialogo creativo: la collezione coniuga la ricercata forma ad arco con soluzioni tecnologiche evolute. L'ampia gamma di finiture e accessori e le due varianti - T MIX con leva incorporata e T LEVA LATERALE - ne fanno una serie poliedrica dalle innumerevoli possibilità applicative.

Functionality and aesthetics set within a creative dialogue: this collection combines the refined arched shape with advanced technological solutions. The broad range of finishes and accessories and the two versions - T MIX with built-in lever and T LEVA LATERALE - make it a versatile series that lends itself to a variety of applications.

#DESIGNMIX



1. Art. 32521CRPR

T-SQUARE

DESIGN CENTER DIRECTED BY
ANTONIO BONGIO



ECLECTIC
PROFILE



#GEOMETRY

ARMONIA DELLE FORME

The harmony of shapes

T SQUARE rappresenta la massima espressione della bellezza formale. La rotondità del corpo che si inserisce sulla base squadrata e la finitura cromo ne esaltano l'armonia espressiva che arricchisce con eleganza geometrica ambienti metropolitani dal look attuale.

T SQUARE represents the ultimate expression of formal beauty. The roundness of the body that fits into the square-shaped base and the chrome finish enhance its expressive harmony, which adorns modern city environments with a touch of geometric elegance.

1. Art. 52521CRPR

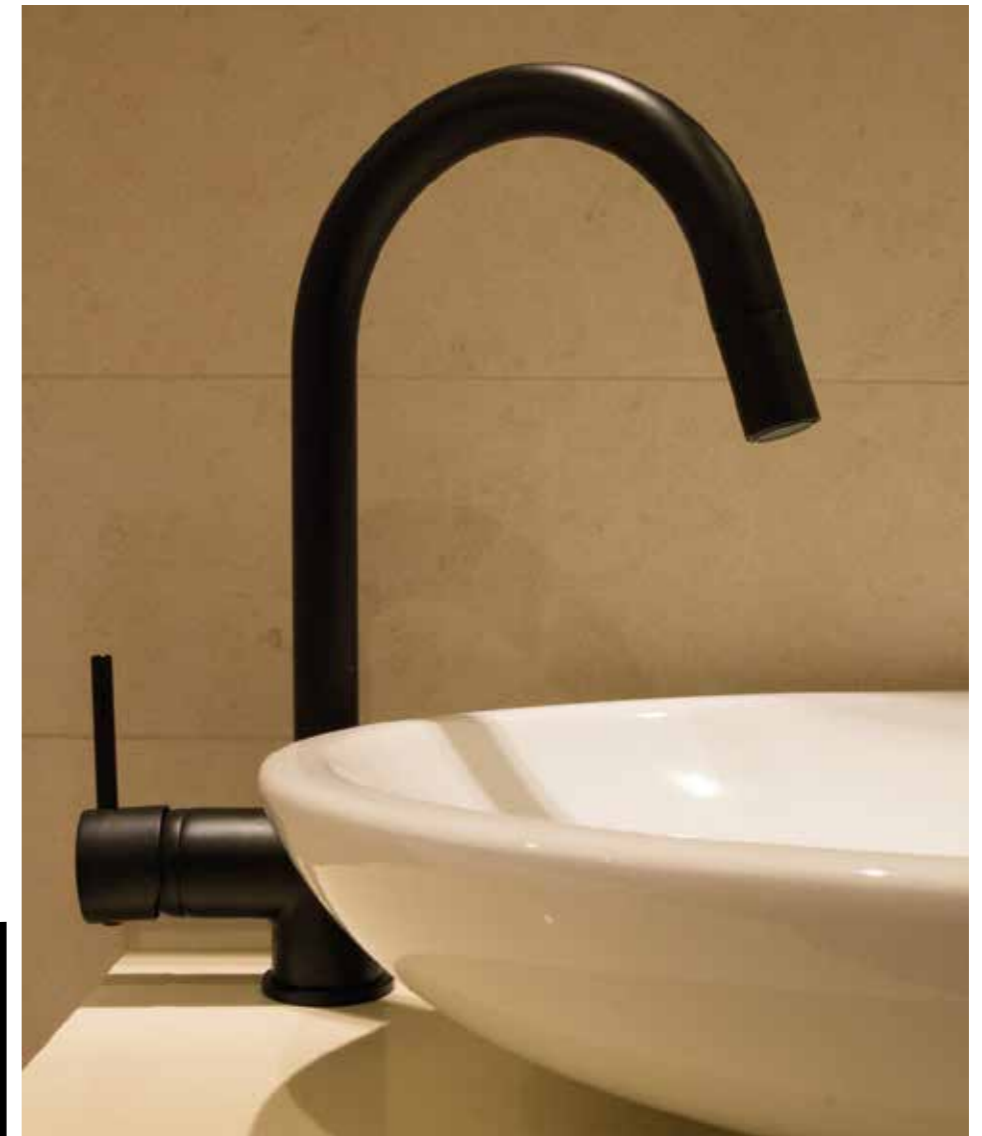
#URBAN SHAPES





LAVABO / WASHBASIN
Art. 32583RBPR

#DARKELEGANCE



LAVABO / WASHBASIN
Art. 32583NEPR



BEAUTY SALON - Kuwait



LAVABO / WASHBASIN
Art. 32539CRPR



Art. 52521CRPR



#GOODVIBES

LAVABO / WASHBASIN
Art. 32538CR22PR

INFORMAZIONI TECNICHE

Technical details



CARTUCCIA: La Serie T Mix, T Leva Laterale e T Square è dotata di cartuccia ø 35 mm con e senza distributore a seconda degli articoli. La temperatura d'impianto non deve superare i 70°C. La pressione di esercizio dell'impianto consigliata è di 3 bar.

TERMOSTATICI: La serie T Mix, T Leva Laterale e T Square monta sugli incassi doccia la cartuccia termostatica ø 40 mm predisposta per pulsante di sicurezza antiscottatura per bloccare la temperatura a 38°C. La temperatura d'impianto deve essere compresa tra minimo 10°C e massimo 65°C, inoltre la temperatura dell'acqua calda in entrata, nel miscelatore, deve essere di almeno 10°C superiore alla massima temperatura dell'acqua calda desiderata in uscita. La pressione di esercizio consigliata è di 3 bar e la massima differenza di pressione tra entrata acqua calda ed entrata acqua fredda deve essere di 1,5 bar.

EROGAZIONE: La serie T Mix, T Leva Laterale e T Square ha un tipo di erogazione morbida. **I lavabi e i bidet sono forniti con limitatore di portata da 6 l/m.**

SISTEMI DI DEVIAZIONE: I deviatori Bongio sono testati per funzionare da un minimo di 0,5 bar pressione.

INSTALLAZIONE: Tutti gli articoli ad incasso Bongio completi sono forniti di relative parti da incassare.

Gli articoli doccia e vasca esterni hanno un interasse di 15±20 mm.

Per gli articoli lavabo e bidet, monoforo e tre fori, da installarsi su piano, devono essere realizzati fori ø 35 mm massimo.

CARTRIDGE: T Mix, T Leva Laterale and T Square series has a ø 35 mms cartridge with or without distributor, depending on the items. The temperature of the plant must not exceed 70°. The ideal working pressure of the plant is 3 bar.

THERMOSTATIC MIXERS: T Mix, T Leva Laterale and T Square series has on the built in shower mixers a ø 40 mms thermostatic cartridge. Prepared for a security system plug to stop at a maximum temperature of 38° to avoid warm shock. The temperature of the plant must be levelled between a minimum of 10° and a maximum of 65°, the temperature of the incoming warm water in the mixer, must be 10° higher than the maximum temperature of the warm water desired at the exit. The Ideal working pressure should be 3 bar and the maximum pressure difference between warm water entry and cold water entry must be 1,5 bar.

SUPPLY: T Mix, T Leva Laterale and T Square series has a soft supply. **Basin and bidet mixers have a standard limitation of flow to 6 l/m which reduces the water waste.**

DIVERTING SYSTEMS: Bongio diverters have been tested to work properly starting from a minimum 0,5 bar pressure

INSTALLATION: All the built-in mixers Bongio items are available with universal raw built-in body.

All the external shower and bath mixers have the 15±20 mms interaxe.

For the basin and bidet mixers - single or three holes - to be place on top deck, they require ø 35 mms maximum holes.

FINITURE E COLORI / FINISHES AND COLOURS

DETTAGLI / MORE INFO PAG. 38



CR
Cromo
Chrome



NS
Nichel Spazzolato
Brushed Nickel



OR
Oro 24kt
24kt Gold



ON
Ottone Naturale
Natural Brass



BU
Ottone Burattato
Hammered Brass



NE
Nero Opaco
Matt Black
(RAL 9005)



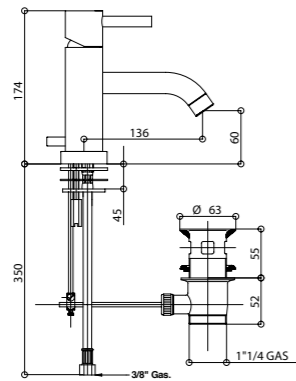
BI
Bianco Opaco
Matt White



RB
Moka Opaco
Matt Moka

32521/PR - 52521/PR

Miscelatore lavabo con scarico 1.1/4" Basin mixer with 1.1/4" pop-up waste in ottone.

**ARTICOLO COMPLETO / COMPLETE ITEM**

32521CRPR - 52521CRPR
CR

32521NSPR - 52521NSPR *
NS/NE/BI/ON/BU/RB

32521ORPR - 52521ORPR
OR

32521XXPR - 52521XXPR □
XX

* Nelle varianti colore verniciate e satinare alcuni particolari saranno in finitura galvanica per garantire gli standard qualitativi. / To assure our quality standard on colored and satin product, some details remain in galvanic finishes.

□ XX: Per tutte le altre finiture fattibili riferirsi a questa fascia di prezzo. / Refer to this line of price for all other realizable finishes.

ABBINABILE A / TO MATCH WITH:
Sifone / Siphon - **00067CR00**
Sifone / Siphon - **00065CR00**

PROLUNGA / MIXER EXTENSION

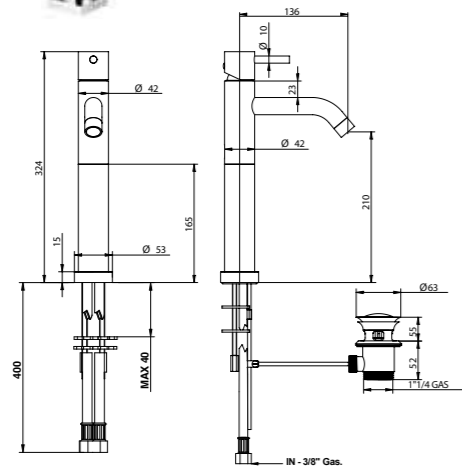
00930CR15

RICAMBI / SPARE PARTS

9812 **9999CR**

32532/PR - 52532/PR

Miscelatore lavabo con prolunga 150 mm e scarico 1.1/4" in ottone. Basin mixer with 150 mms. extension and 1.1/4" pop-up waste.

**ARTICOLO COMPLETO / COMPLETE ITEM**

32532CRPR - 52532CRPR
CR

32532NSPR - 52532NSPR *
NS/NE/BI/ON/BU/RB

32532ORPR - 52532ORPR
OR

32532XXPR - 52532XXPR □
XX

* Nelle varianti colore verniciate e satinare alcuni particolari saranno in finitura galvanica per garantire gli standard qualitativi. / To assure our quality standard on colored and satin product, some details remain in galvanic finishes.

□ XX: Per tutte le altre finiture fattibili riferirsi a questa fascia di prezzo. / Refer to this line of price for all other realizable finishes.

ABBINABILE A / TO MATCH WITH:
Sifone / Siphon - **00067CR00**
Sifone / Siphon - **00065CR00**

PROLUNGA / MIXER EXTENSION

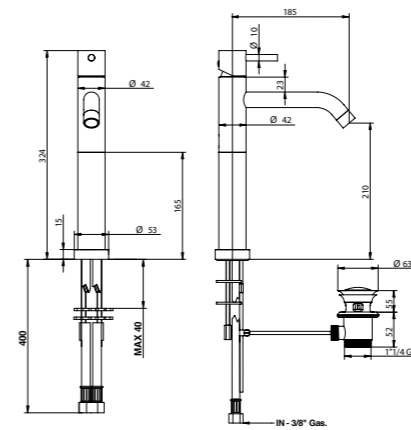
00930CR15

RICAMBI / SPARE PARTS

9812 **9999CR**

32520/PR - 52520/PR

Miscelatore lavabo con bocca lunga, prolunga 150 mm e scarico in ottone 1.1/4". Basin mixer with long spout, 150 mms. extension and 1.1/4" pop-up waste.

**ARTICOLO COMPLETO / COMPLETE ITEM**

32520CRPR - 52520CRPR
CR

32520NSPR - 52520NSPR *
NS/NE/BI/ON/BU/RB

32520ORPR - 52520ORPR
OR

32520XXPR - 52520XXPR □
XX

* Nelle varianti colore verniciate e satinare alcuni particolari saranno in finitura galvanica per garantire gli standard qualitativi. / To assure our quality standard on colored and satin product, some details remain in galvanic finishes.

□ XX: Per tutte le altre finiture fattibili riferirsi a questa fascia di prezzo. / Refer to this line of price for all other realizable finishes.

PROLUNGA / MIXER EXTENSION

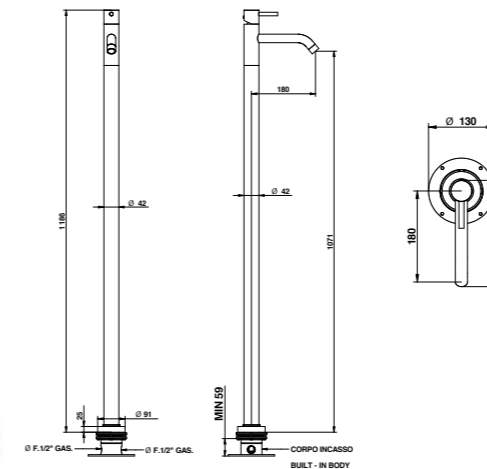
00930CR15

RICAMBI / SPARE PARTS

9812 **9999CR**

32533/PR

Miscelatore lavabo a pavimento. Floor mounted basin mixer.

**ARTICOLO COMPLETO / COMPLETE ITEM**

32533CRPR
CR

PARTE INCASSO
BUILT-IN PART

PARTE ESTERNA DA ABBINARE
EXTERNAL MATCHING PART

09744

FINITURE / FINISHES

32533CRPREU
CR

32533NSPREU *
NS/NE/BI/ON/
RB

32533ORPREU
OR

32533XXPREU □
XX

* Nelle varianti colore verniciate e satinare alcuni particolari saranno in finitura galvanica per garantire gli standard qualitativi. / To assure our quality standard on colored and satin product, some details remain in galvanic finishes.

□ XX: Per tutte le altre finiture fattibili riferirsi a questa fascia di prezzo. / Refer to this line of price for all other realizable finishes.

Non disponibile in BU / Not available BU

ABBINABILE A / TO MATCH WITH:
Sifone / Siphon - **00067CR00**
Sifone / Siphon - **00065CR00**

Piletta clic-clac / Clic-clac waste - **00079CRPR**

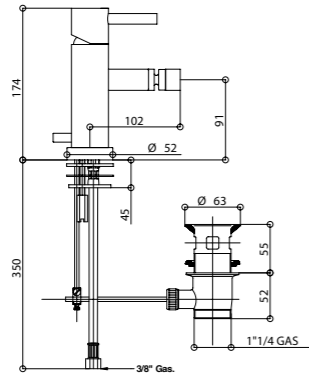
RICAMBI / SPARE PARTS

9812 **9999CR**

FINITURE E COLORI / FINISHES AND COLOURS**ACCESSORI E RICAMBI / ACCESSORIES AND SPARE PARTS**

32522/PR - 52522/PR

Miscelatore bidet con scarico 1.1/4" Bidet mixer with 1.1/4" pop-up waste in ottone.



ARTICOLO COMPLETO / COMPLETE ITEM

32522CRPR - 52522CRPR
CR

32522NSPR - 52522NSPR *
NS/NE/BI/ON/BU/RB

32522ORPR - 52522ORPR
OR

32522XXPR - 52522XXPR ◻
XX

* Nelle varianti colore verniciate e satinare alcuni particolari saranno in finitura galvanica per garantire gli standard qualitativi. / To assure our quality standard on colored and satin product, some details remain in galvanic finishes.
◻ XX: Per tutte le altre finiture fattibili riferirsi a questa fascia di prezzo. / Refer to this line of price for all other realizable finishes.

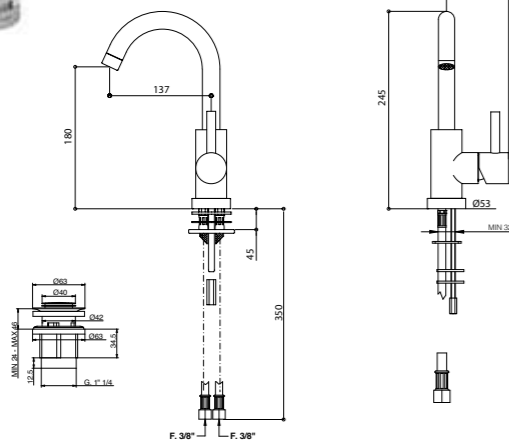
ABBINABILE A / TO MATCH WITH:
Sifone / Siphon - **00066CR00**

RICAMBI / SPARE PARTS

	9812		9980CR
--	-------------	--	---------------

32581/PR

Miscelatore lavabo con bocca bassa girevole completo e piletta clic-clac in ottone.



ARTICOLO COMPLETO / COMPLETE ITEM

32581CRPR
CR

32581NEPR *
NE/BI/ON/BU/RB

32581NSPR *
NS

32581ORPR
OR

32581XXPR ◻
XX

* Nelle varianti colore verniciate e satinare alcuni particolari saranno in finitura galvanica per garantire gli standard qualitativi. / To assure our quality standard on colored and satin product, some details remain in galvanic finishes.
◻ XX: Per tutte le altre finiture fattibili riferirsi a questa fascia di prezzo. / Refer to this line of price for all other realizable finishes.

ABBINABILE A / TO MATCH WITH:
Sifone / Siphon - **00067CR00**
Sifone / Siphon - **00065CR00**

PROLUNGA / MIXER EXTENSION

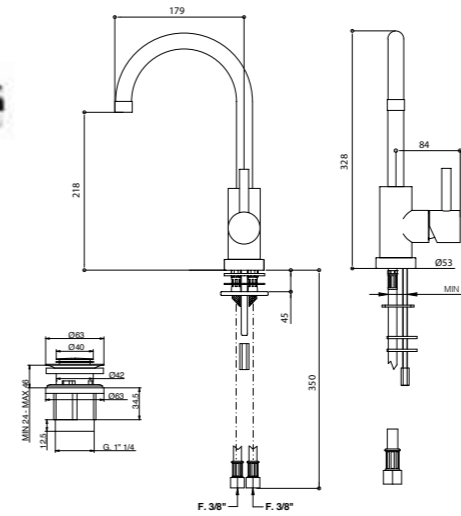
	00942CR15
--	------------------

RICAMBI / SPARE PARTS

	9838		9999CR
--	-------------	--	---------------

32583/PR

Miscelatore lavabo con bocca alta girevole e piletta clic-clac in ottone.



ARTICOLO COMPLETO / COMPLETE ITEM

32583CRPR
CR

32583NEPR *
NE/BI/ON/BU/RB

32583NSPR *
NS

32583ORPR
OR

32583XXPR ◻
XX

* Nelle varianti colore verniciate e satinare alcuni particolari saranno in finitura galvanica per garantire gli standard qualitativi. / To assure our quality standard on colored and satin product, some details remain in galvanic finishes.
◻ XX: Per tutte le altre finiture fattibili riferirsi a questa fascia di prezzo. / Refer to this line of price for all other realizable finishes.

ABBINABILE A / TO MATCH WITH:
Sifone / Siphon - **00067CR00**
Sifone / Siphon - **00065CR00**

PROLUNGA / MIXER EXTENSION

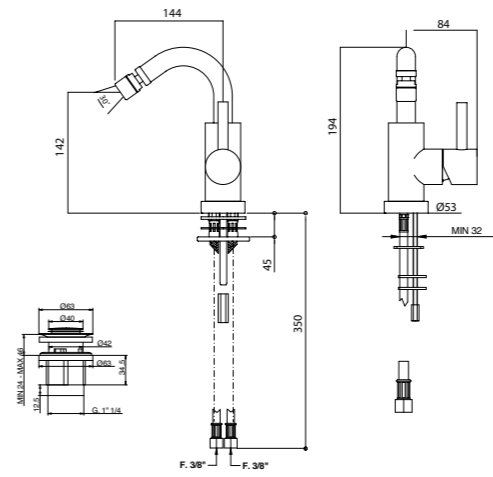
	00942CR15
--	------------------

RICAMBI / SPARE PARTS

	9838		9999CR
--	-------------	--	---------------

32582/PR

Miscelatore bidet con bocca girevole e piletta clic-clac.



ARTICOLO COMPLETO / COMPLETE ITEM

32582CRPR
CR

32582NEPR *
NE/BI/ON/BU/RB

32582NSPR *
NS

32582ORPR
OR

32582XXPR ◻
XX

* Nelle varianti colore verniciate e satinare alcuni particolari saranno in finitura galvanica per garantire gli standard qualitativi. / To assure our quality standard on colored product, some details remain in galvanic finishes.
◻ XX: Per tutte le altre finiture fattibili riferirsi a questa fascia di prezzo. / Refer to this line of price for all other realizable finishes.

ABBINABILE A / TO MATCH WITH:
Sifone / Siphon - **00066CR00**

RICAMBI / SPARE PARTS

	9838		9980CR
--	-------------	--	---------------

FINITURE E COLORI / FINISHES AND COLOURS



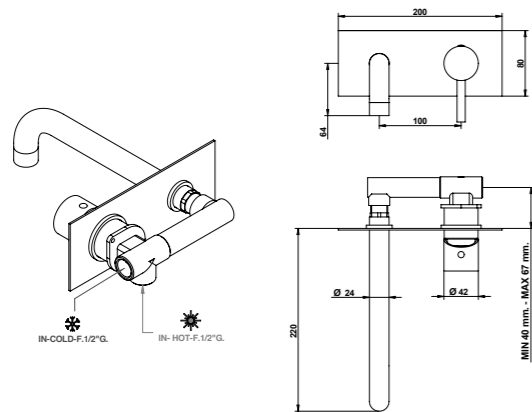
ACCESSORI E RICAMBI / ACCESSORIES AND SPARE PARTS



32539/PR

Miscelatore lavabo incasso con bocca 220 mm e piastra.

Built-in basin mixer with 220 mms. spout and plate.



ARTICOLO COMPLETO / COMPLETE ITEM

32539CRPR
CR

PARTE INCASSO BUILT-IN PART PARTE ESTERNA DA ABBINARE EXTERNAL MATCHING PART

FINITURE / FINISHES

09690

32539CRPREU
CR

32539NSPREU *
NS/NE/BI/RB

32539ORPREU
OR

32539XXPREU [□]
XX

* Nelle varianti colore verniciate e satinare alcuni particolari saranno in finitura galvanica per garantire gli standard qualitativi. / To assure our quality standard on colored and satin product, some details remain in galvanic finishes.

[□] XX: Per tutte le altre finiture fattibili riferirsi a questa fascia di prezzo. / Refer to this line of price for all other realizable finishes.

Disponibile con bocca da 160 mm. / Available with 160 mms spout.

Non disponibile in TT - BM - BU - ON / Not available TT - BM - BU - ON

ABBINABILE A / TO MATCH WITH:

Sifone / Siphon - 00067CR00

Sifone / Siphon - 00065CR00

Piletta clic-clac / Clic-clac waste - 00079CRPR

RICAMBI / SPARE PARTS



9813

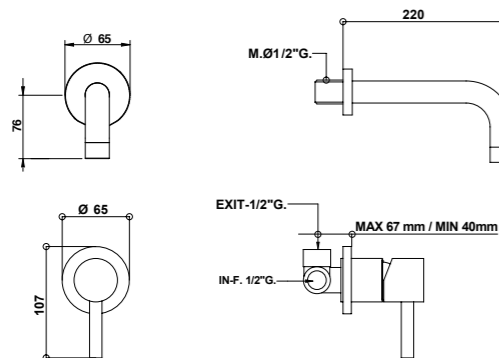


9999CR

32538/22PR - 52538/22PR

Miscelatore lavabo incasso con bocca 220 mm.

Built-in basin mixer with 220 mms. spout.



ARTICOLO COMPLETO / COMPLETE ITEM

32538CR22PR - 52538CR22PR
CR

PARTE INCASSO BUILT-IN PART PARTE ESTERNA DA ABBINARE EXTERNAL MATCHING PART

FINITURE / FINISHES

09761

32538CR22PREU
52538CR22PREU
CR

09761

32538NS22PREU
52538NS22PREU *
NS/NE/BI/ON/
BU/RB

32538OR22PREU
52538OR22PREU
OR

32538XX22PREU
52538XX22PREU [□]
XX

* Nelle varianti colore verniciate e satinare alcuni particolari saranno in finitura galvanica per garantire gli standard qualitativi. / To assure our quality standard on colored and satin product, some details remain in galvanic finishes.

[□] XX: Per tutte le altre finiture fattibili riferirsi a questa fascia di prezzo. / Refer to this line of price for all other realizable finishes.

Disponibile con bocca da 160 mm. / Available with 160 mms spout.

ABBINABILE A / TO MATCH WITH:

Sifone / Siphon - 00067CR00

Sifone / Siphon - 00065CR00

Piletta clic-clac / Clic-clac waste - 00079CRPR

PROLUNGA / MIXER EXTENSION



00100CRPRPR

RICAMBI / SPARE PARTS



9813



9999CR

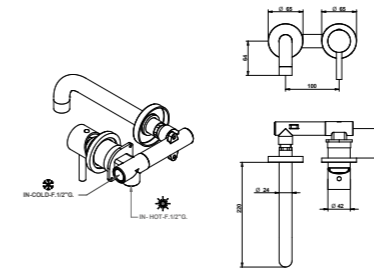
FINITURE E COLORI / FINISHES AND COLOURS



32538/2APR - 52538/2APR

Miscelatore lavabo incasso con bocca 220 mm completo di connessioni incasso.

Built-in basin mixer with 220 mms.spout complete with built-in connections.



PROLUNGA / MIXER EXTENSION



00100CRPRPR

RICAMBI / SPARE PARTS



9813



9999CR

ARTICOLO COMPLETO / COMPLETE ITEM

32538CR2APR - 52538CR2APR
CR

PARTE INCASSO BUILT-IN PART PARTE ESTERNA DA ABBINARE EXTERNAL MATCHING PART

FINITURE / FINISHES

32538/2APR

32538CR2APREU
52538CR2APREU
CR

9690

52538/2APR

32538NS2APREU
52538NS2APREU *
NS/NE/BI/ON/
BU/RB

9690

32538OR2APREU
52538OR2APREU
OR

32538XX2APREU
52538XX2APREU [□]
XX

* Nelle varianti colore verniciate e satinare alcuni particolari saranno in finitura galvanica per garantire gli standard qualitativi. / To assure our quality standard on colored and satin product, some details remain in galvanic finishes.

[□] XX: Per tutte le altre finiture fattibili riferirsi a questa fascia di prezzo. / Refer to this line of price for all other realizable finishes.

Disponibile con bocca da 160 mm. / Available with 160 mms spout.

ABBINABILE A / TO MATCH WITH:

Sifone / Siphon - 00067CR00

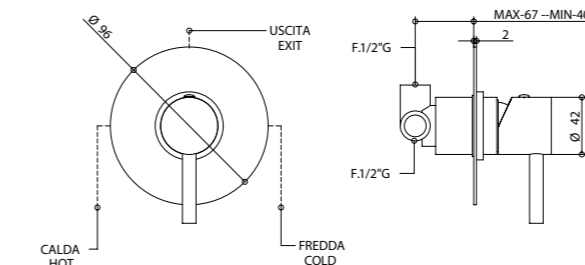
Sifone / Siphon - 00065CR00

Piletta clic-clac / Clic-clac waste - 00079CRPR

32524/PR - 52524/PR

Miscelatore incasso.

Built-in mixer.



ARTICOLO COMPLETO / COMPLETE ITEM

32524CRPR - 52524CRPR
CR

PARTE INCASSO BUILT-IN PART PARTE ESTERNA DA ABBINARE EXTERNAL MATCHING PART

FINITURE / FINISHES

32524/PR

32524CRPREU
52524CRPREU
CR

09761

52524/PR

32524NSPREU
52524NSPREU *
NS/NE/BI/ON/
BU/RB

09761

32524ORPREU
52524ORPREU
OR

32524XXPREU
52524XXPREU [□]
XX

* Nelle varianti colore verniciate e satinare alcuni particolari saranno in finitura galvanica per garantire gli standard qualitativi. / To assure our quality standard on colored and satin product, some details remain in galvanic finishes.

[□] XX: Per tutte le altre finiture fattibili riferirsi a questa fascia di prezzo. / Refer to this line of price for all other realizable finishes.

OPTIONAL: Scatola incasso per cartongesso / Built-in box for drywall and cavity wall 09702PBOX

RICAMBI / SPARE PARTS



9813

PROLUNGA / MIXER EXTENSION



00100CRPRPR

ACCESSORI E RICAMBI / ACCESSORIES AND SPARE PARTS



PROLUNGA
MIXER EXTENSION



CARTUCCIA E VITONE
CARTRIDGE AND MECHANISM



AERATORE
AERATOR



FLESSIBILE
FLEXIBLE



DOCCETTA
HANDSHOWER

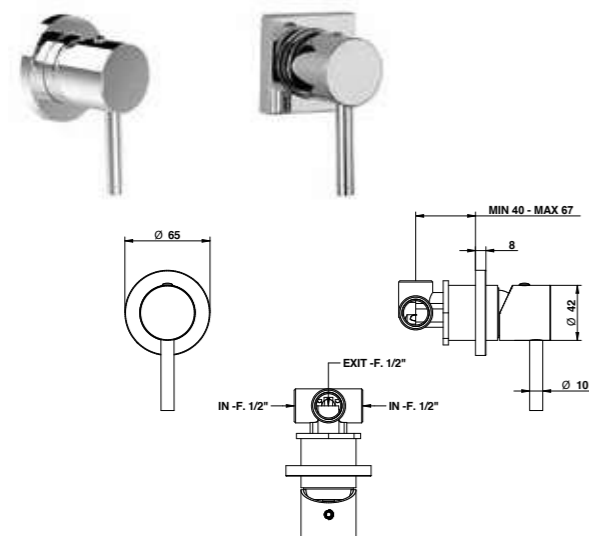


DEVIATORE
DIVERTER

32524/RPPR - 52524/RPPR

Miscelatore incasso.

Built-in mixer.



RICAMBI / SPARE PARTS



9813

ARTICOLO COMPLETO / COMPLETE ITEM

32524CRPPR - 52524CRPPR
CRPARTE INCASSO
BUILT-IN PARTPARTE ESTERNA DA ABBINARE
EXTERNAL MATCHING PART

FINITURE / FINISHES

32524/RPPR

32524CRPPPREU
52524CRPPPREU
CR

09761

52524/RPPR

32524NSRPPREU
52524NSRPPREU *
NS/NE/BI/ON/
BU/RB

09761

32524ORPPREU
52524ORPPREU
OR32524XXRPPREU
52524XXRPPREU □
XX

* Nelle varianti colore verniciate e satinare alcuni particolari saranno in finitura galvanica per garantire gli standard qualitativi. / To assure our quality standard on colored and satin product, some details remain in galvanic finishes.

□ XX: Per tutte le altre finiture fattibili riferirsi a questa fascia di prezzo. / Refer to this line of price for all other realizable finishes.

PROLUNGA / MIXER EXTENSION



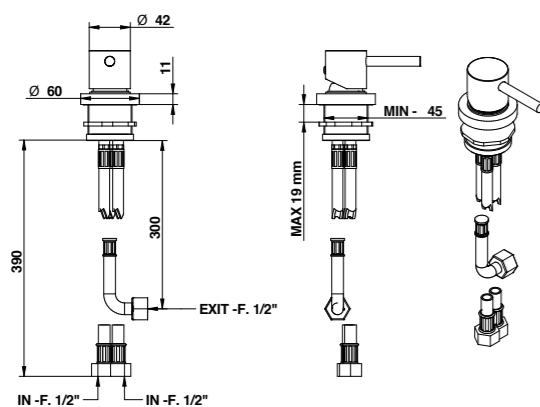
00100CRPPR

OPTIONAL: Scatola incasso per cartongesso / Built-in box for drywall and cavity wall **09702PBOX**

32510/PR - 52510/PR

Miscelatore bordo piano.

Mixer for deck installation.



FINITURE E COLORI / FINISHES AND COLOURS



ARTICOLO COMPLETO / COMPLETE ITEM

32510CRPR - 52510CRPR
CR32510NSPR - 52510NSPR *
NS/NE/BI/ON/BU/RB32510ORPR - 52510ORPR
OR32510NSPR - 52510NSPR □
XX

* Nelle varianti colore verniciate e satinare alcuni particolari saranno in finitura galvanica per garantire gli standard qualitativi. / To assure our quality standard on colored and satin product, some details remain in galvanic finishes.

□ XX: Per tutte le altre finiture fattibili riferirsi a questa fascia di prezzo. / Refer to this line of price for all other realizable finishes.

RICAMBI / SPARE PARTS

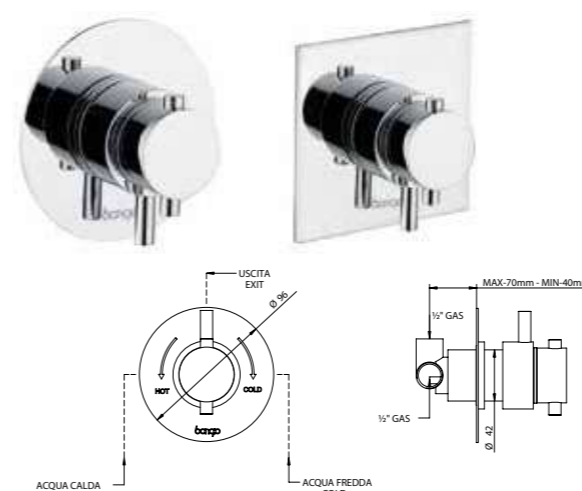


9813

32544/PR - 52544/PR

Termostatico incasso coassiale.

Coaxial built-in thermostatic mixer.



OPTIONAL: Scatola incasso per cartongesso / Built-in box for drywall and cavity wall **09702PBOX**

RICAMBI / SPARE PARTS



9811

ARTICOLO COMPLETO / COMPLETE ITEM

32544CRPR - 52544CRPR
CR32544NSPR - 52544NSPR *
NS/NE/BI/ON/BU/RB32544ORPR - 52544ORPR
OR32544XXPR - 52544XXPR □
XX

* Nelle varianti colore verniciate e satinare alcuni particolari saranno in finitura galvanica per garantire gli standard qualitativi. / To assure our quality standard on colored and satin product, some details remain in galvanic finishes.

□ XX: Per tutte le altre finiture fattibili riferirsi a questa fascia di prezzo. / Refer to this line of price for all other realizable finishes.

Portata a pressione dinamica 3 bar - 20,5 l/min - 38° Mix / Flow rates at dynamic pressure 3 bar - 20,5 l/min - 38° Mix

Il corpo incasso non può essere anticipato. / Built-in body cannot be delivered separately in advance.

PROLUNGA / MIXER EXTENSION

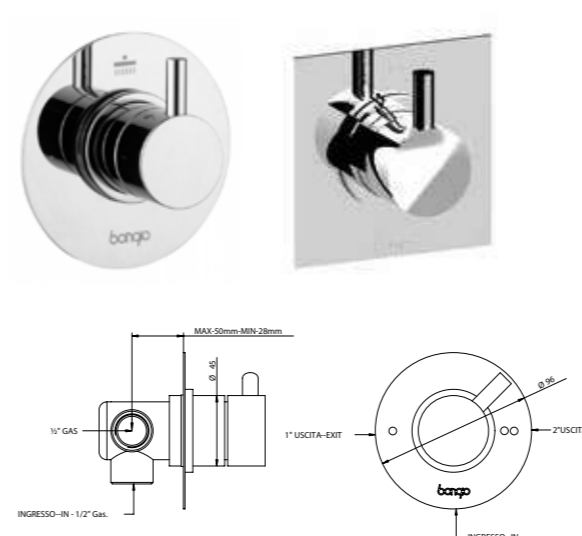


00107CRPR

32525/02PR - 52525/02PR

Deviatore 2 uscite (1 entrata - 2 uscite).

2 ways diverter (1 in - 2 out).



RICAMBI / SPARE PARTS



9808/2

ARTICOLO COMPLETO / COMPLETE ITEM

32525CR02PR - 52525CR02PR
CRPARTE INCASSO
BUILT-IN PARTPARTE ESTERNA DA ABBINARE
EXTERNAL MATCHING PART

FINITURE / FINISHES

32525/02PR

32525CR02PREU
52525CR02PREU
CR

09491/2

52525/02PR

32525NS02PREU
52525NS02PREU *
NS/NE/BI/ON/
BU/RB

09491/2

32525OR02PREU
52525OR02PREU
OR32525XX02PREU
52525XX02PREU □
XX

* Nelle varianti colore verniciate e satinare alcuni particolari saranno in finitura galvanica per garantire gli standard qualitativi. / To assure our quality standard on colored and satin product, some details remain in galvanic finishes.

□ XX: Per tutte le altre finiture fattibili riferirsi a questa fascia di prezzo. / Refer to this line of price for all other realizable finishes.

ABBINABILE A / TO MATCH WITH:
Miscelatore incasso / Built-in mixer - **32524**
Miscelatore incasso / Built-in mixer - **32544**

PROLUNGA / MIXER EXTENSION



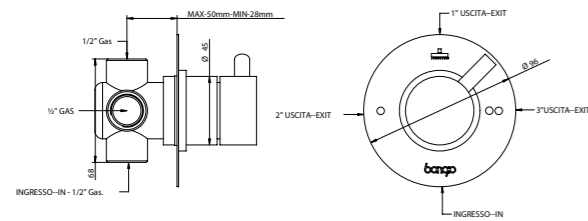
00109CRPR

ACCESSORI E RICAMBI / ACCESSORIES AND SPARE PARTS

PROLUNGA
MIXER EXTENSIONCARTUCCIA E VITONE
CARTRIDGE AND MECHANISMAERATORE
AERATORFLESSIBILE
FLEXIBLEDOCCETTA
HANDSHOWERDEVIATORE
DIVERTER

32525/03PR - 52525/03PR

Deviatore 3 vie (1 entrata - 3 uscite). 3 ways diverter (1 in - 3 out).

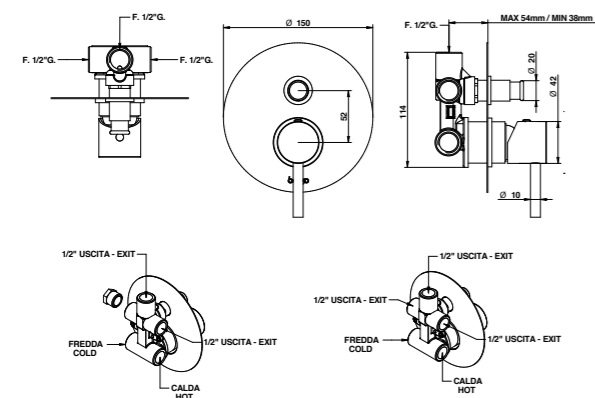


RICAMBI / SPARE PARTS

9808

32529/PR - 52529/PR

Miscelatore incasso con deviatore automatico a 2 uscite. Built-in mixer with 2 way automatic diverter.



FINITURE E COLORI / FINISHES AND COLOURS



ARTICOLO COMPLETO / COMPLETE ITEM

32525CR03PR - 52525CR03PR
CR

PARTE INCASSO / BUILT-IN PART **PARTE ESTERNA DA ABBINARE** / EXTERNAL MATCHING PART

FINITURE / FINISHES

32525/03PR

32525CR03PREU
52525CR03PREU
CR

09494

52525/03PR

32525NS03PREU
52525NS03PREU
NS/NE/BI/ON/
BU/RB

09494

32525OR03PREU
52525OR03PREU
OR

32525XX03PREU
52525XX03PREU *
XX

* XX: Per tutte le altre finiture fattibili riferirsi a questa fascia di prezzo. / Refer to this line of price for all other realizable finishes.

Portata a pressione dinamica - 1° uscita doccia 3 bar - 16,5 l/min, - 2° uscita doccia 3 bar - 16,5 l/min, - 3° uscita vasca 3 bar - 30 l/min. / Flow rates at dynamic pressure - 1° shower exit 3 bar - 16,5 l/min, - 2° shower exit 3 bar - 16,5 l/min, - 3° bath exit 3 bar - 30 l/min.

ABBINABILE A / TO MATCH WITH:
Miscelatore termostatico / Thermostatic mixer - 32544/PR - 32524/PR
Miscelatore incasso / Built-in mixer - 32524 - 32544

PROLUNGA / MIXER EXTENSION

00109CRPR

ARTICOLO COMPLETO / COMPLETE ITEM

32529CRPR - 52529CRPR
CR

Il corpo incasso non può essere anticipato. / Built-in body cannot be delivered separately in advance.

Non disponibile in altre finiture. / Not available in other finishes.

PROLUNGA / MIXER EXTENSION

00102CRPRPR

OPTIONAL: Scatola incasso per cartongesso / Built-in box for drywall and cavity wall 09702PBOX

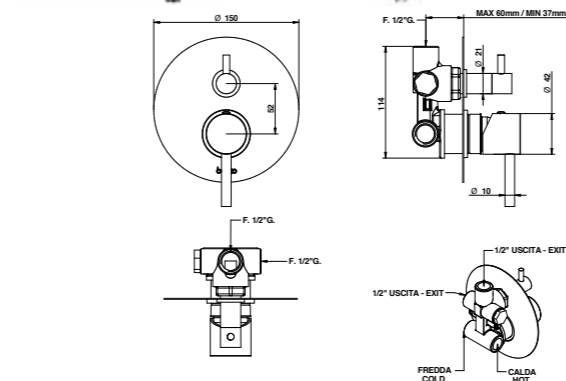
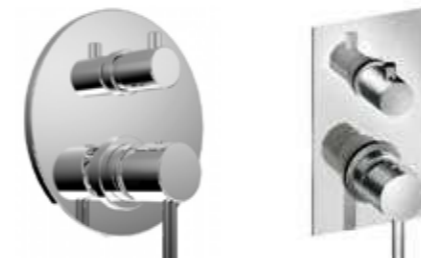
RICAMBI / SPARE PARTS

9813

00114CRPR

32519/PR - 52519/PR

Miscelatore incasso con deviatore meccanico a 2 uscite. Built-in mixer with 2 way mechanical diverter.



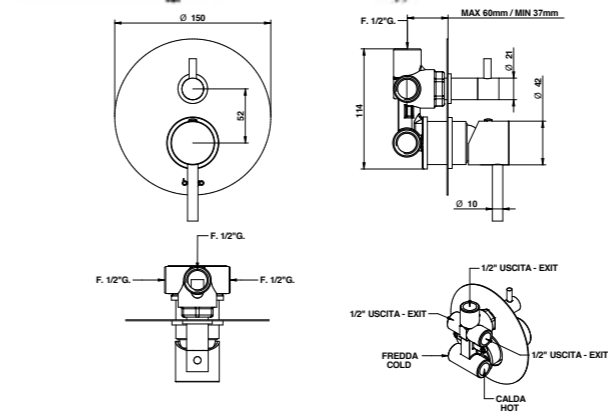
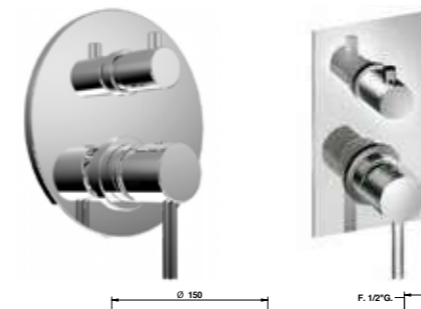
RICAMBI / SPARE PARTS

9813

9861

32519/3PR - 52519/3PR

Miscelatore incasso con deviatore meccanico a 3 uscite. Built-in mixer with 3 WAY mechanical diverter.



ACCESSORI E RICAMBI / ACCESSORIES AND SPARE PARTS

PROLUNGA
MIXER EXTENSION

CARTUCCIA E VITONE
CARTRIDGE AND MECHANISM

AERATORE
AERATOR

FLESSIBILE
FLEXIBLE

DOCCETTA
HANDSHOWER

DEVIATORE
DIVERTER

ARTICOLO COMPLETO / COMPLETE ITEM

32519CRPR - 52519CRPR
CR

PARTE INCASSO / BUILT-IN PART **PARTE ESTERNA DA ABBINARE** / EXTERNAL MATCHING PART

FINITURE / FINISHES

32519/PR

32519CRPREU
52519CRPREU
CR

09763

52519/PR

32519NSPREU
52519NSPREU *
NS/NE/BI/ON/
BU/RB

09763

32519ORPREU
52519ORPREU
OR

32519XXPREU
52519XXPREU *
XX

* Nelle varianti colore verniciate e satinare alcuni particolari saranno in finitura galvanica per garantire gli standard qualitativi. / To assure our quality standard on colored and satin product, some details remain in galvanic finishes.

XX: Per tutte le altre finiture fattibili riferirsi a questa fascia di prezzo. / Refer to this line of price for all other realizable finishes.

PROLUNGA / MIXER EXTENSION

00102CRPRP3

OPTIONAL: Scatola incasso per cartongesso / Built-in box for drywall and cavity wall 09702PBOX

ARTICOLO COMPLETO / COMPLETE ITEM

32519CR03PR - 52519CR03PR
CR

PARTE INCASSO / BUILT-IN PART **PARTE ESTERNA DA ABBINARE** / EXTERNAL MATCHING PART

FINITURE / FINISHES

32519/3PR

32519CR03PREU
52519CR03PREU
CR

09763/3

52519/3PR

32519NS03PREU
52519NS03PREU *
NS/NE/BI/ON/
BU/RB

09763/3

32519OR03PREU
52519OR03PREU
OR

32519XX03PREU
52519XX03PREU *
XX

* Nelle varianti colore verniciate e satinare alcuni particolari saranno in finitura galvanica per garantire gli standard qualitativi. / To assure our quality standard on colored and satin product, some details remain in galvanic finishes.

XX: Per tutte le altre finiture fattibili riferirsi a questa fascia di prezzo. / Refer to this line of price for all other realizable finishes.

PROLUNGA / MIXER EXTENSION

00102CRPRP3

OPTIONAL: Scatola incasso per cartongesso / Built-in box for drywall and cavity wall 09702PBOX

RICAMBI / SPARE PARTS

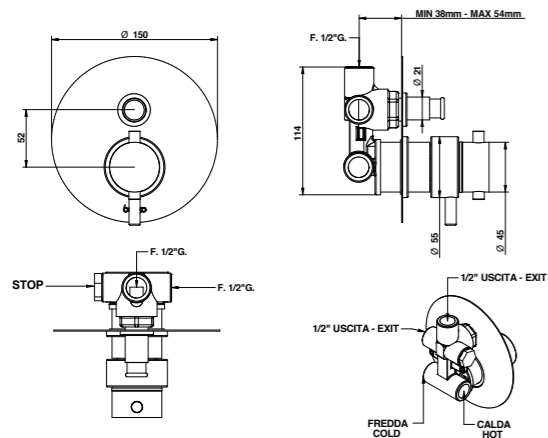
9813

09860

32549/PR - 52549

Termostatico incasso coassiale con deviatore automatico a 2 uscite.

Coaxial built-in thermostatic mixer with 2 way automatic diverter.



ARTICOLO COMPLETO / COMPLETE ITEM

32549CRPR - 52549CRPR *
CR

32549NSPR - 52549NSPR *
NS/NE/BI/ON/BU/RB

32549ORPR - 52549ORPR *
OR

32549XXPR - 52549XXPR ◊
XX

* Nelle varianti colore verniciate e satinare alcuni particolari saranno in finitura galvanica per garantire gli standard qualitativi. / To assure our quality standard on colored and satin product, some details remain in galvanic finishes.

◊ XX: Per tutte le altre finiture fattibili riferirsi a questa fascia di prezzo. / Refer to this line of price for all other realizable finishes.

Portata a pressione dinamica: 3 bar - 20,5 l/min - 38° Mix / Flow rates at dynamic pressure: 3 bar - 20,5 l/min - 38° Mix

Il corpo incasso non può essere anticipato. / Built-in body cannot be delivered separately in advance.

PROLUNGA / MIXER EXTENSION

00108CRPRR

OPTIONAL: Scatola incasso per cartongesso / Built-in box for drywall and cavity wall **09702PBOX**

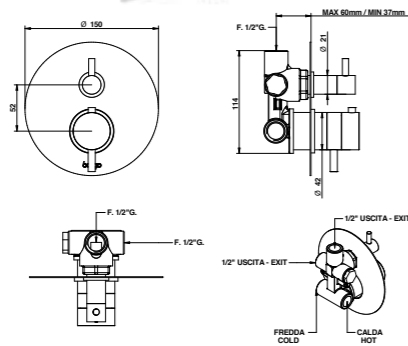
RICAMBI / SPARE PARTS

9811 **00114CRPR**

32569/PR - 52569/PR

Termostatico incasso coassiale con deviatore meccanico a 2 uscite.

Coaxial built-in thermostatic mixer with 2 way mechanical diverter.



ARTICOLO COMPLETO / COMPLETE ITEM

32569CRPR - 52569CRPR
CR

PARTE INCASSO **PARTE ESTERNA DA ABBINARE**
BUILT-IN PART EXTERNAL MATCHING PART

FINITURE / FINISHES

32569/PR **32569CRPREU**
52569CRPREU
CR

52569/PR **32569NSPREU**
52569NSPREU *
NS/NE/BI/ON/
BU/RB

32569ORPREU
52569ORPREU
OR

32569XXPREU
52569XXPREU ◊
XX

* Nelle varianti colore verniciate e satinare alcuni particolari saranno in finitura galvanica per garantire gli standard qualitativi. / To assure our quality standard on colored and satin product, some details remain in galvanic finishes.

◊ XX: Per tutte le altre finiture fattibili riferirsi a questa fascia di prezzo. / Refer to this line of price for all other realizable finishes.

Portata a pressione dinamica: 3 bar - 17 l/min - 38° Mix / Flow rates at dynamic pressure: 3 bar - 17 l/min - 38° Mix

PROLUNGA / MIXER EXTENSION

00102CRPRP3

OPTIONAL: Scatola incasso per cartongesso / Built-in box for drywall and cavity wall **09702PBOX**

RICAMBI / SPARE PARTS

9250 **09861**

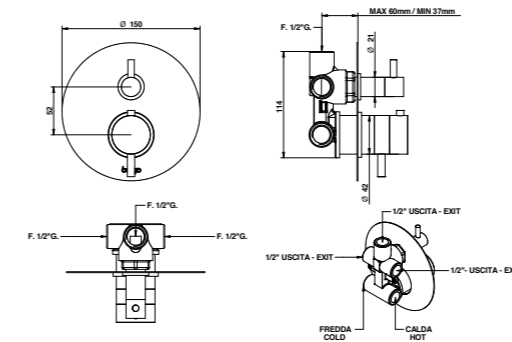
FINITURE E COLORI / FINISHES AND COLOURS



32569/3PR - 52569/3PR

Miscelatore termostatico incasso coassiale con deviatore meccanico a 3 uscite.

Coaxial built-in thermostatic mixer with 3 exits mechanical diverter.



OPTIONAL: Scatola incasso per cartongesso / Built-in box for drywall and cavity wall **09702PBOX**

RICAMBI / SPARE PARTS

9250 **09860**

ARTICOLO COMPLETO / COMPLETE ITEM

32569CR03PR - 52569CR03PR
CR

PARTE INCASSO **PARTE ESTERNA DA ABBINARE**
BUILT-IN PART EXTERNAL MATCHING PART

FINITURE / FINISHES

32569/3PR **32569CR03PREU**
52569CR03PREU
CR

52569/3PR **32569NS03PREU**
52569NS03PREU *
NS/NE/BI/ON/
BU/RB

32569OR03PREU
52569OR03PREU
OR

32569XX03PREU
52569XX03PREU ◊
XX

* Nelle varianti colore verniciate e satinare alcuni particolari saranno in finitura galvanica per garantire gli standard qualitativi. / To assure our quality standard on colored and satin product, some details remain in galvanic finishes.

◊ XX: Per tutte le altre finiture fattibili riferirsi a questa fascia di prezzo. / Refer to this line of price for all other realizable finishes.

Portata a pressione dinamica: 3 bar - 17 l/min - 38° Mix / Flow rates at dynamic pressure: 3 bar - 17 l/min - 38° Mix

PROLUNGA / MIXER EXTENSION

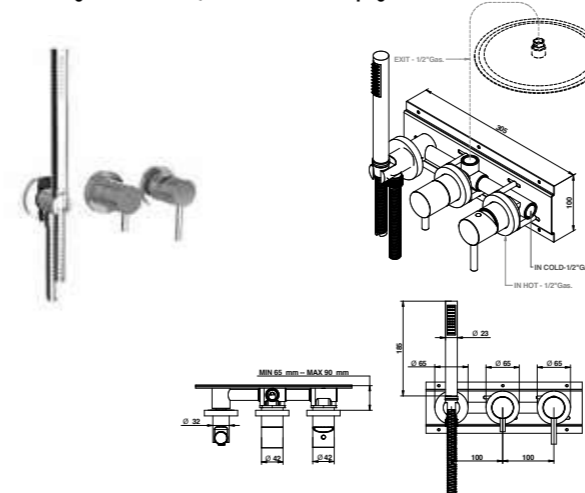
00102CRPRP3

32551/AD NEW

Gruppo doccia incasso completo di miscelatore, deviatore, connessioni e set doccia.

Built-in shower mixer with mixer, diverter, connection and handshower set.

Dettaglio flessibili / Flexible details pag. 42



RICAMBI / SPARE PARTS

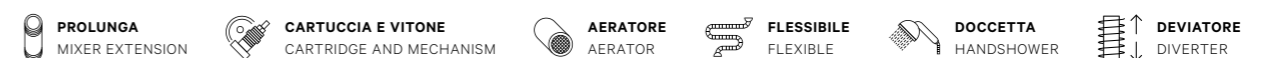
9813 **9611CR**

00850CROE **9808/2**

00850XX00 * **9600XXPV** ◊

* Ricambio per finiture diverse dal cromo. / Spare part for different finishes.
◊ Per le finiture verniciate e satinare il flessibile verrà fornito in PVC nero. / The flexible hose will be supplied in black PVC for painted and matt finishes.

ACCESSORI E RICAMBI / ACCESSORIES AND SPARE PARTS



ARTICOLO COMPLETO / COMPLETE ITEM

32551CRADPR
CR

PARTE INCASSO **PARTE ESTERNA DA ABBINARE**
BUILT-IN PART EXTERNAL MATCHING PART

FINITURE / FINISHES

096900DP **32551CRADPREU**
CR

32551NSADPREU *
NS/NE/BI/ON/
BU/RB

32551ORADPREU
OR

32551XXADPREU ◊
XX

* Nelle varianti colore verniciate e satinare alcuni particolari saranno in finitura galvanica per garantire gli standard qualitativi. / To assure our quality standard on colored and satin product, some details remain in galvanic finishes.

◊ XX: Per tutte le altre finiture fattibili riferirsi a questa fascia di prezzo. / Refer to this line of price for all other realizable finishes.

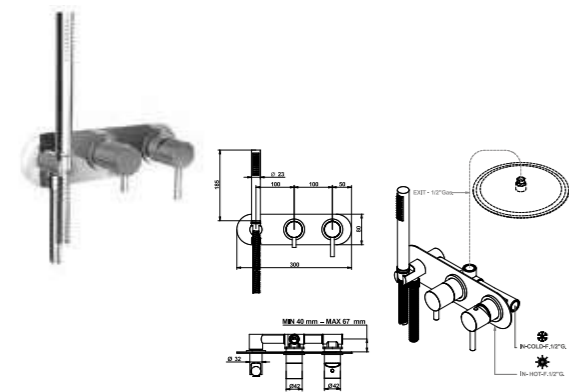
PROLUNGA / MIXER EXTENSION

68113CRPR

32551/PD NEW

Gruppo doccia incasso completo di miscelatore, deviatore, connessione e set doccetta con piastra. Built-in shower mixer with mixer, diverter, connection and handshower set with plate.

Dettaglio flessibili / Flexible details pag. 42



RICAMBI / SPARE PARTS

	9813		9611CR
	00850CROE		9808/2
	00850XX00 *		9600XXPV □

* Ricambio per finiture diverse dal cromo. / Spare part for different finishes.
 □ Per le finiture verniciate e satinare il flessibile verrà fornito in PVC nero. / The flexible hose will be supplied in black PVC for painted and matt finishes.

ARTICOLO COMPLETO / COMPLETE ITEM

32551CRPDP
CR

PARTE INCASSO / BUILT-IN PART **PARTE ESTERNA DA ABBINARE** / EXTERNAL MATCHING PART

FINITURE / FINISHES

0969000DO

32551CRPDP
CR

32551NEPDP *
NE/BI/RB

32551ORPDP
OR

32551XXPDP □
XX

* Nelle varianti colore verniciate e satinare alcuni particolari saranno in finitura galvanica per garantire gli standard qualitativi. / To assure our quality standard on colored and satin product, some details remain in galvanic finishes.
 □ XX: Per tutte le altre finiture fattibili riferirsi a questa fascia di prezzo. / Refer to this line of price for all other realizable finishes.

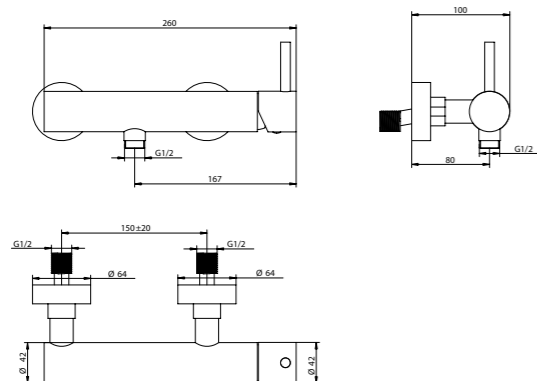
Non disponibile in ON - BU / Not available ON - BU

PROLUNGA / MIXER EXTENSION

68113CRPR

32523/PR - 52523/PR

Miscelatore doccia esterno. External shower mixer.



ARTICOLO COMPLETO / COMPLETE ITEM

32523CRPR - 52523CRPR
CR

32523NSPR - 52523NSPR
NS/NE/BI/ON/BU/RB

32523ORPR - 52523ORPR
OR

32523XXPR - 52523XXPR *
XX

* XX: Per tutte le altre finiture fattibili riferirsi a questa fascia di prezzo. / Refer to this line of price for all other realizable finishes.

ABBINABILE A / TO MATCH WITH:
Saliscendi / Sliding rail - **870**

RICAMBI / SPARE PARTS

9838

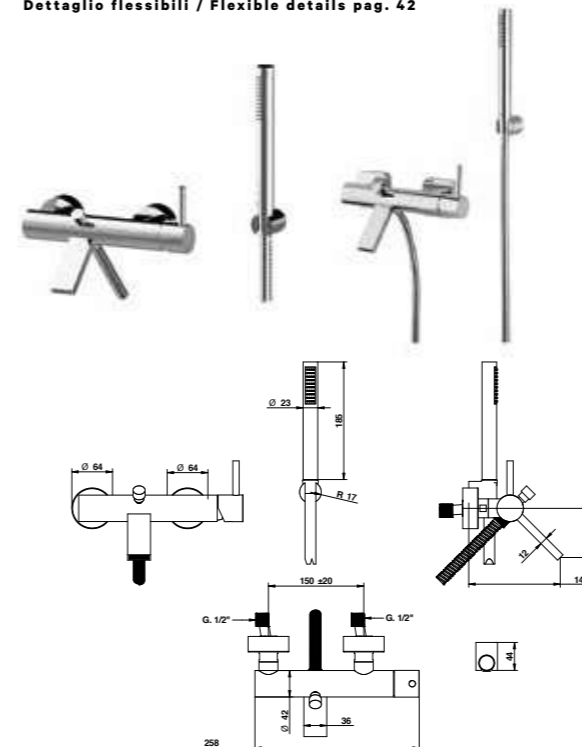
FINITURE E COLORI / FINISHES AND COLOURS



32526/DPR - 52526/DPR

Miscelatore vasca esterno con set doccia. External bath mixer with shower set.

Dettaglio flessibili / Flexible details pag. 42



ARTICOLO COMPLETO / COMPLETE ITEM

32526CR0DPR - 52526CR0DPR
CR

32526NS0DPR - 52526NS0DPR *
NS/NE/BI/RB

32526OR0DPR - 52526OR0DPR
OR

32526XX0DPR - 52526XX0DPR □
XX

* Nelle varianti colore verniciate e satinare alcuni particolari saranno in finitura galvanica per garantire gli standard qualitativi. / To assure our quality standard on colored and satin product, some details remain in galvanic finishes.

□ XX: Per tutte le altre finiture fattibili riferirsi a questa fascia di prezzo. / Refer to this line of price for all other realizable finishes.

Non disponibile in TT - BU - ON - BM - AM - NM - CM - IM - HM / Not available TT - BU - ON - BM - AM - NM - CM - IM - HM

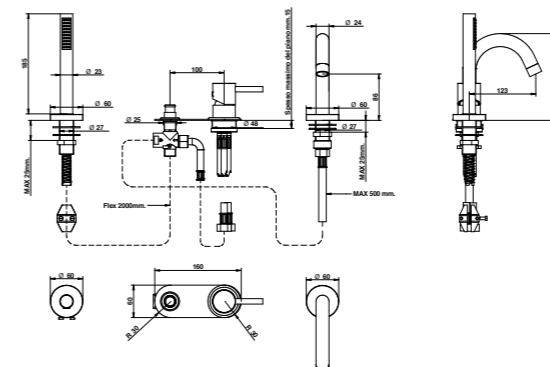
RICAMBI / SPARE PARTS

	9838		9972
	9611CR		00850CROE
	00136CR		00850XX00 *
	9600XXPV □		

* Ricambio per finiture diverse dal cromo. / Spare part for different finishes.
 □ Per le finiture verniciate e satinare il flessibile verrà fornito in PVC nero. / The flexible hose will be supplied in black PVC for painted and matt finishes.

32531/DPR

Gruppo bordo vasca con set doccia. Bath & shower mixer for deck installation with shower set.



ARTICOLO COMPLETO / COMPLETE ITEM

32531CR0DPR
CR

32531NS0DPR *
NS/NE/BI/ON/BU/RB

32531OR0DPR
OR

32531XX0DPR □
XX

* Nelle varianti colore verniciate e satinare alcuni particolari saranno in finitura galvanica per garantire gli standard qualitativi. / To assure our quality standard on colored and satin product, some details remain in galvanic finishes.

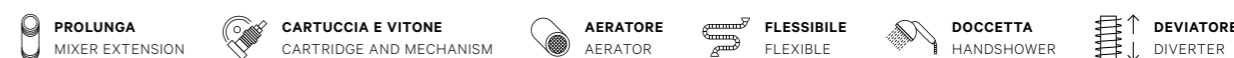
□ XX: Per tutte le altre finiture fattibili riferirsi a questa fascia di prezzo. / Refer to this line of price for all other realizable finishes.

RICAMBI / SPARE PARTS

	9813		9385CR
	9606CR		00850CROE
	00127CR		00850XX00 *
	9600XXPV □		

* Ricambio per finiture diverse dal cromo. / Spare part for different finishes.
 □ Per le finiture verniciate e satinare il flessibile verrà fornito in PVC nero. / The flexible hose will be supplied in black PVC for painted and matt finishes.

ACCESSORI E RICAMBI / ACCESSORIES AND SPARE PARTS



32530/DPR - 52530/ODPR

Gruppo vasca incasso con set doccia duplex con deviatore meccanico. / Built-in bath and shower mixer with duplex shower set with mechanical diverter.

Dettaglio flessibili / Flexible details pag. 42



ARTICOLO COMPLETO / COMPLETE ITEM

32530CR0DPR - 52530CR0DPR
CR

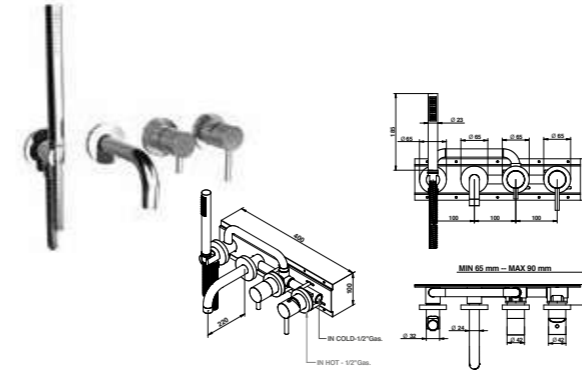
PARTE INCASSO BUILT-IN PART	PARTE ESTERNA DA ABBINARE EXTERNAL MATCHING PART
	FINITURE / FINISHES
32530/DPR	32530CR0DPREU 52530CR0DPREU CR
9763	
52530/ODPR	32530NS0DPREU 52530NS0DPREU * NS/NE/BI/ON/ BU/RB
9763	
	32530OR0DPREU 52530OR0DPREU OR
	32530XX0DPREU 52530XX0DPREU ◻ XX

* Nelle varianti colore verniciate e satinare alcuni particolari saranno in finitura galvanica per garantire gli standard qualitativi. / To assure our quality standard on colored and satin product, some details remain in galvanic finishes.
◻ XX: Per tutte le altre finiture fattibili riferirsi a questa fascia di prezzo. / Refer to this line of price for all other realizable finishes.

32550/AD NEW

Gruppo vasca incasso completo di miscelatore, deviatore, connessioni e set doccia. / Built-in bath mixer with mixer, diverter, connection and handshower set.

Dettaglio flessibili / Flexible details pag. 42



RICAMBI / SPARE PARTS

	9813		09999CR
	09611CR		00850CR0E
	9808/2		00850XX00 *
	9600XPV ◻		

* Ricambio per finiture diverse dal cromo. / Spare part for different finishes.
◻ Per le finiture verniciate e satinare il flessibile verrà fornito in PVC nero. / The flexible hose will be supplied in black PVC for painted and matt finishes.

ARTICOLO COMPLETO / COMPLETE ITEM

32550CRADPR
CR

PARTE INCASSO BUILT-IN PART	PARTE ESTERNA DA ABBINARE EXTERNAL MATCHING PART
	FINITURE / FINISHES
0969000VA	32550CRADPREU CR
	32550NSADPREU * NS/NE/BI/ON/ BU/RB
	32550ORADPREU OR
	32550XXADPREU ◻ XX

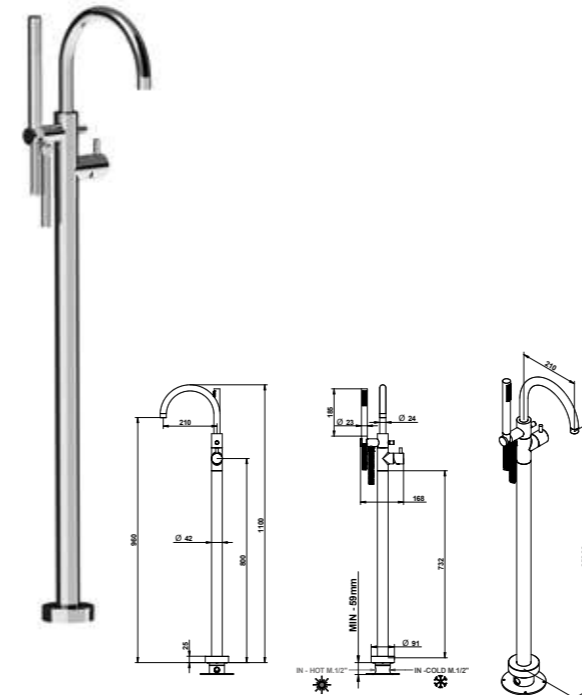
* Nelle varianti colore verniciate e satinare alcuni particolari saranno in finitura galvanica per garantire gli standard qualitativi. / To assure our quality standard on colored and satin product, some details remain in galvanic finishes.
◻ XX: Per tutte le altre finiture fattibili riferirsi a questa fascia di prezzo. / Refer to this line of price for all other realizable finishes.

PROLUNGA / MIXER EXTENSION

	68113CRVAPR
--	--------------------

32634/DPR

Miscelatore vasca da pavimento con set doccia. / Floor mounted bath mixer with shower set and diverter.



ARTICOLO COMPLETO / COMPLETE ITEM

32634CR0DPR
CR

PARTE INCASSO BUILT-IN PART	PARTE ESTERNA DA ABBINARE EXTERNAL MATCHING PART
	FINITURE / FINISHES
09744	32634NE0DPREU * NE/BI
	32634NS0DPREU NS
	32634XX0DPREU ◻ XX

* Nelle varianti colore verniciate e satinare alcuni particolari saranno in finitura galvanica per garantire gli standard qualitativi. / To assure our quality standard on colored and satin product, some details remain in galvanic finishes.
◻ XX: Per tutte le altre finiture monocromatiche (es. OROR) fattibili riferirsi a questa fascia di prezzo. / Refer to this line of price for all other realizable monochrome finishes.

RICAMBI / SPARE PARTS

	9813		9999
	9611CR		00850CR0E
	00138		00850XX00 *
	9600XPV ◻		

* Ricambio per finiture diverse dal cromo. / Spare part for different finishes.
◻ Per le finiture verniciate e satinare il flessibile verrà fornito in PVC nero. / The flexible hose will be supplied in black PVC for painted and matt finishes.

FINITURE E COLORI / FINISHES AND COLOURS



PROLUNGA / MIXER EXTENSION

	00102CRPRP3
--	--------------------

OPTIONAL: Scatola incasso per cartongesso / Built-in box for drywall and cavity wall **09702PBOX**

RICAMBI / SPARE PARTS

	9813		9999CR
	9611CR		9860
	00850CR0E		00850XX00 *
	9600XPV ◻		

* Ricambio per finiture diverse dal cromo. / Spare part for different finishes.
◻ Per le finiture verniciate e satinare il flessibile verrà fornito in PVC nero. / The flexible hose will be supplied in black PVC for painted and matt finishes.

ACCESSORI E RICAMBI / ACCESSORIES AND SPARE PARTS



REEEF

DESIGN CENTER DIRECTED BY
ANTONIO BONGIO

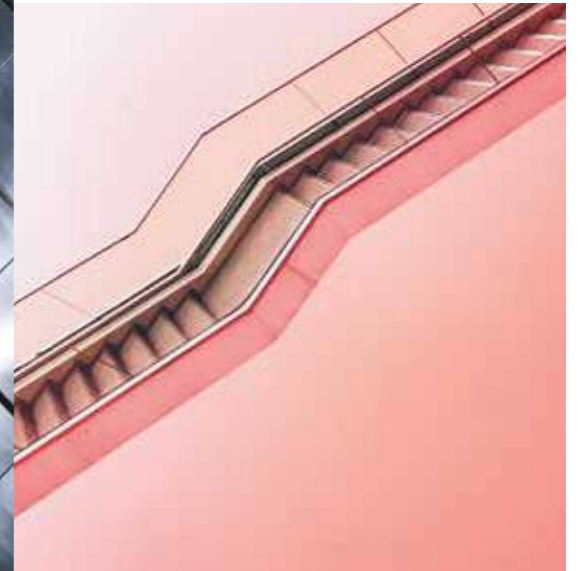
#SIMPLYBEAUTY



1

REFINED
ELEGANCE

REEEF



GEOMETRIE NETTE

Sharp geometric shapes

Forme pulite e geometrie nette, REEF fa delle sue linee minimali un punto di forza, trasformandosi in un piccolo oggetto di design. L'estetica essenziale lo rende adatto ad ambienti e progetti dallo stile estremamente contemporaneo ed equilibrato.

With its clean lines and sharp geometric shapes, REEF turns its minimalist style into strength, becoming a small designer object. The essential aesthetics makes it suitable to decorate spaces and projects with a highly contemporary and balanced style.



#DESIGNCODE



INFORMAZIONI TECNICHE

Technical details



CARTUCCIA: La serie Reef è dotata di diverse tipologie di cartucce: cartuccia ø 25 mm e cartuccia ø 35 mm senza distributore. La temperatura d'impianto non deve superare i 70°C. La pressione di esercizio dell'impianto consigliata è di 3 bar.

EROGAZIONE: La serie Reef ha un tipo di erogazione morbida. **I lavabi e i bidet sono forniti con limitatore di portata da 6 l/m.**

SISTEMI DI DEVIAZIONE: I deviatori Bongio sono testati per funzionare da un minimo di 0,5 bar pressione.

INSTALLAZIONE: Tutti gli articoli ad incasso Bongio completi sono forniti di relative parti da incassare.

Per i miscelatori lavabo e bidet da installarsi su piano, devono essere realizzati fori di ø 35 mm massimo.

CARTRIDGE: Reef series uses different kind of cartridges: ø 25 mms and ø 35 mms without distributor.

The temperature of the plant must not exceed 70°. The ideal working pressure of the plant is 3 bar.

SUPPLY: Reef series has a soft supply. **Basin and bidet mixers have a standard limitation of flow to 6 l/m which reduces the water waste.**

DIVERTING SYSTEMS: Bongio diverters have been tested to work properly starting from a minimum 0,5 bar pressure.

INSTALLATION: All the built-in Bongio items are available with universal raw built-in body.

For the basin and bidet mixers - single or three holes - to be place on top deck, they require ø 35 mms maximum holes.



FINITURE E COLORI / FINISHES AND COLOURS

DETTAGLI / MORE INFO PAG. 38



CR
Cromo
Chrome



NS
Nichel Spazzolato
Brushed Nickel



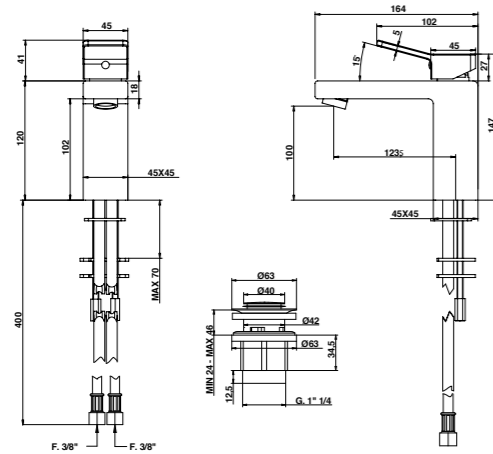
OR
Oro
Gold



NE
Nero Opaco
Matt Black
(RAL 9005)

53521/PR

Miscelatore lavabo con piletta clic-clac in ottone. Basin mixer with clic-clac waste. clic-clac in ottone.

**ARTICOLO COMPLETO / COMPLETE ITEM**

53521CRPR
CR

53521NSPR
NS/NE

53521ORPR
OR

Non disponibile in altre finiture. / Not available in other finishes.

ABBINABILE A / TO MATCH WITH:
Sifone / Siphon - **00067CROQ**

PROLUNGA / MIXER EXTENSION

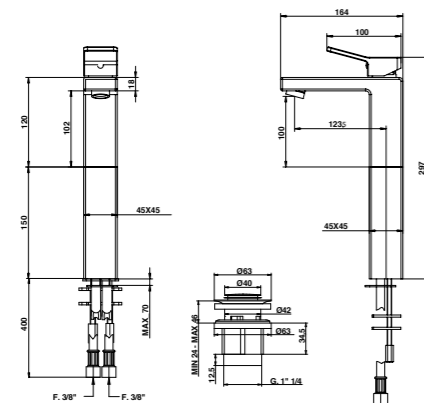
00932CR15

RICAMBI / SPARE PARTS

9818 **9982**

53532/PR

Miscelatore lavabo con prolunga 150 mm e piletta clic-clac in ottone. Basin mixer with 150 mms. extension clic-clac waste.

**ARTICOLO COMPLETO / COMPLETE ITEM**

53532CRPR
CR

53532NSPR
NS/NE

53532ORPR
OR

Non disponibile in altre finiture. / Not available in other finishes.

ABBINABILE A / TO MATCH WITH:
Sifone / Siphon - **00067CROQ**

PROLUNGA / MIXER EXTENSION

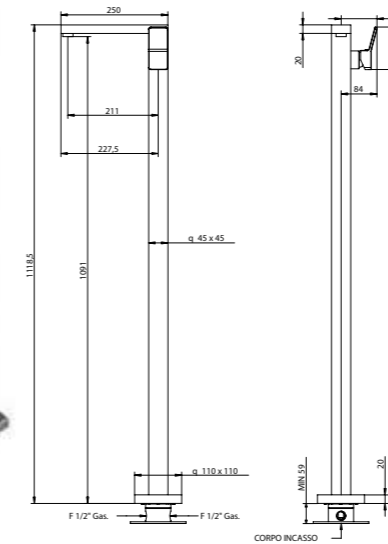
00932CR15

RICAMBI / SPARE PARTS

9818 **9982**

FINITURE E COLORI / FINISHES AND COLOURS**53533/PR**

Miscelatore lavabo a pavimento. Floor mounted basin mixer.

**ARTICOLO COMPLETO / COMPLETE ITEM**

53533CRPR
CR

PARTE INCASSO
BUILT-IN PART

PARTE ESTERNA DA ABBINARE
EXTERNAL MATCHING PART

FINITURE / FINISHES

09744

53533CRPREU
CR

53533NSPREU
NS/NE

53533ORPREU
OR

Non disponibile in altre finiture. / Not available in other finishes.

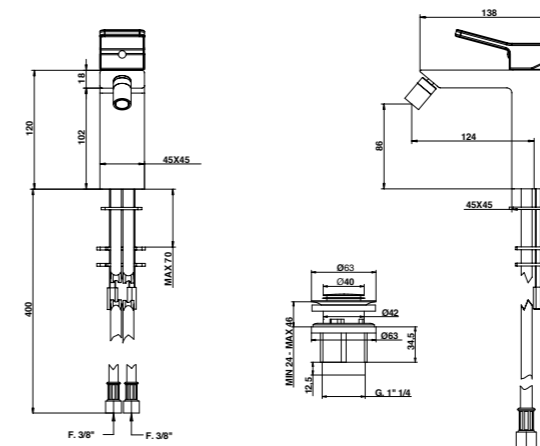
ABBINABILE A / TO MATCH WITH:
Sifone / Siphon - **00067CROQ**
Piletta clic-clac / Clic-clac waste - **00079CROQ**

RICAMBI / SPARE PARTS

9813 **9982**

53522/PR

Miscelatore bidet con piletta clic-clac in ottone. Bidet mixer with brass clic-clac waste.

**ARTICOLO COMPLETO / COMPLETE ITEM**

53522CRPR
CR

53522NSPR
NS/NE

53522ORPR
OR

Non disponibile in altre finiture. / Not available in other finishes.

ABBINABILE A / TO MATCH WITH:
Sifone / Siphon - **00066CROO**

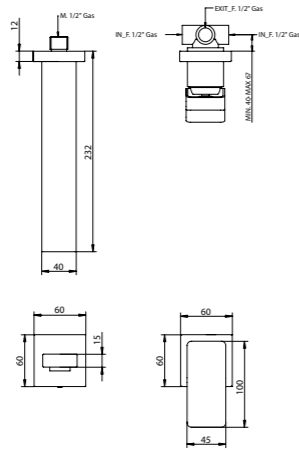
RICAMBI / SPARE PARTS

9818 **9977CR**

ACCESSORI E RICAMBI / ACCESSORIES AND SPARE PARTS

53538/22PR

Miscelatore lavabo incasso con bocca da 230 mm. Built-in basin mixer with 230 mms. spout.



ARTICOLO COMPLETO / COMPLETE ITEM

53538CR22PR
CR

PARTE INCASSO / BUILT-IN PART | **PARTE ESTERNA DA ABBINARE** / EXTERNAL MATCHING PART

FINITURE / FINISHES

- 09761**
- 53538CR22PREU**
CR
 - 53538NS22PREU**
NS/NE
 - 53538OR22PREU**
OR

Non disponibile in altre finiture. / Not available in other finishes.

ABBINABILE A / TO MATCH WITH:
Sifone / Siphon - **00067CROQ**
Piletta clic-clac / Clic-clac waste - **00079CROQ**

PROLUNGA / MIXER EXTENSION

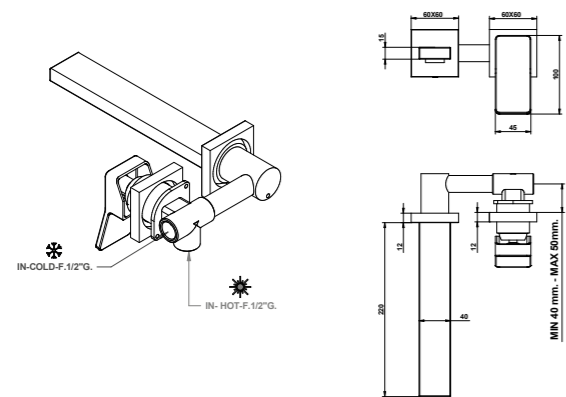
00100CRPRR

RICAMBI / SPARE PARTS

- | | |
|-------------|-------------|
| 9813 | 9984 |
|-------------|-------------|

53538/2APR

Miscelatore lavabo incasso con bocca 220 mm completo di connessioni incasso. Built-in basin mixer with 220 mms. spout complete with built-in connections.



ARTICOLO COMPLETO / COMPLETE ITEM

53538CR2APR
CR

PARTE INCASSO / BUILT-IN PART | **PARTE ESTERNA DA ABBINARE** / EXTERNAL MATCHING PART

FINITURE / FINISHES

- 09729**
- 53538CR2APREU**
CR
 - 53538NS2APREU**
NS/NE
 - 53538OR2APREU**
OR

Non disponibile in altre finiture. / Not available in other finishes.

ABBINABILE A / TO MATCH WITH:
Sifone / Siphon - **00067CROQ**
Piletta clic-clac / Clic-clac waste - **00079CROQ**

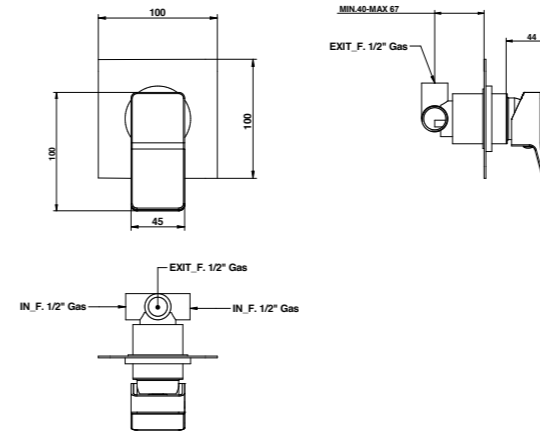
OPTIONAL: Scatola incasso per cartongesso / Built-in box for drywall and cavity wall **09702PBOX**

RICAMBI / SPARE PARTS

- | | |
|-------------|-------------|
| 9813 | 9984 |
|-------------|-------------|

53524/PR

Miscelatore incasso. Built-in mixer.



ARTICOLO COMPLETO / COMPLETE ITEM

53524CRPR
CR

PARTE INCASSO / BUILT-IN PART | **PARTE ESTERNA DA ABBINARE** / EXTERNAL MATCHING PART

FINITURE / FINISHES

- 09761**
- 53524CRPREU**
CR
 - 53524NSPREU**
NS/NE
 - 53524ORPREU**
OR

Non disponibile in altre finiture. / Not available in other finishes.

PROLUNGA / MIXER EXTENSION

00100CRPR

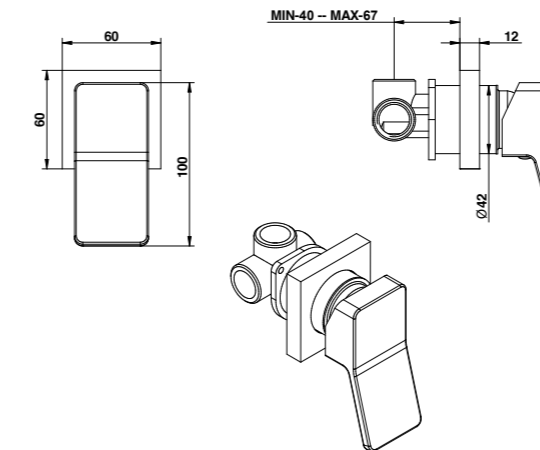
OPTIONAL: Scatola incasso per cartongesso / Built-in box for drywall and cavity wall **09702PBOX**

RICAMBI / SPARE PARTS

- | |
|-------------|
| 9813 |
|-------------|

53524/RPPR

Miscelatore incasso. Built-in mixer.



ARTICOLO COMPLETO / COMPLETE ITEM

53524CRRPPR
CR

PARTE INCASSO / BUILT-IN PART | **PARTE ESTERNA DA ABBINARE** / EXTERNAL MATCHING PART

FINITURE / FINISHES

- 09761**
- 53524CRRPPREU**
CR
 - 53524NSRPPREU**
NS/NE
 - 53524ORRPPREU**
OR

Non disponibile in altre finiture. / Not available in other finishes.

PROLUNGA / MIXER EXTENSION

0100CRPR

OPTIONAL: Scatola incasso per cartongesso / Built-in box for drywall and cavity wall **09702PBOX**

RICAMBI / SPARE PARTS

- | |
|-------------|
| 9813 |
|-------------|

FINITURE E COLORI / FINISHES AND COLOURS

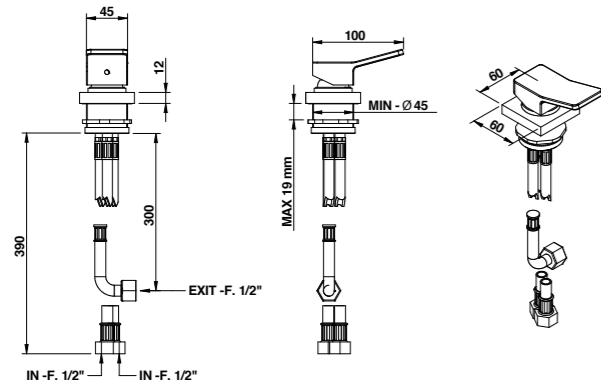


ACCESSORI E RICAMBI / ACCESSORIES AND SPARE PARTS



53510/PR

Miscelatore bordo piano. Mixer for deck installation.



ARTICOLO COMPLETO / COMPLETE ITEM

53510CRPR
CR

53510NSPR
NS/NE

53510ORPR
OR

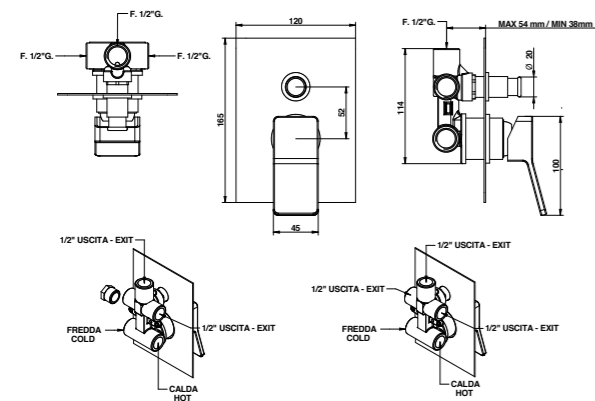
Non disponibile in altre finiture. / Not available in other finishes.

RICAMBI / SPARE PARTS

9813

53529/PR

Miscelatore incasso con deviatore automatico a 2 uscite. Built-in mixer with 2 way automatic diverter.



ARTICOLO COMPLETO / COMPLETE ITEM

53529CRPR
CR

Non disponibile in altre finiture. / Not available in other finishes.

Il corpo incasso non può essere anticipato. / Built-in body cannot be delivered separately in advance.

PROLUNGA / MIXER EXTENSION

00102CRPRPR

OPTIONAL: Scatola incasso per cartongesso / Built-in box for drywall and cavity wall **09702PBOX**

RICAMBI / SPARE PARTS

9813

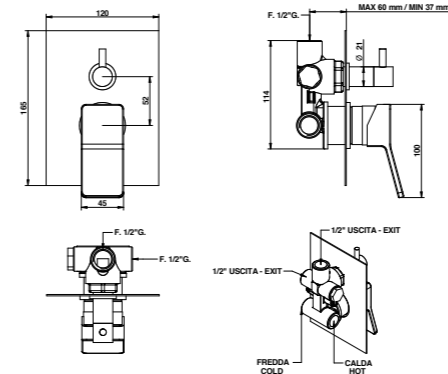
00114CRPR

FINITURE E COLORI / FINISHES AND COLOURS



53519/PR

Miscelatore incasso con deviatore meccanico a 2 uscite. Built-in mixer with 2 way mechanical diverter.



ARTICOLO COMPLETO / COMPLETE ITEM

53519CRPR
CR

PARTE INCASSO BUILT-IN PART **PARTE ESTERNA DA ABBINARE** EXTERNAL MATCHING PART

FINITURE / FINISHES

09763

53519CRPREU
CR

53519NSPREU
NS/NE

53519ORPREU
OR

Non disponibile in altre finiture. / Not available in other finishes.

PROLUNGA / MIXER EXTENSION

00102CRPRP3

OPTIONAL: Scatola incasso per cartongesso / Built-in box for drywall and cavity wall **09702PBOX**

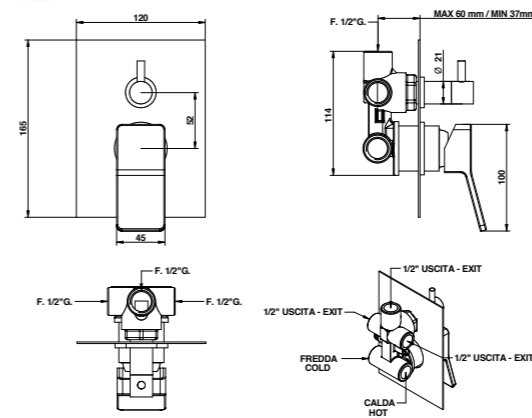
RICAMBI / SPARE PARTS

9813

9861

53519/3PR

Miscelatore incasso con deviatore meccanico a 3 uscite. Built-in mixer with 3 way mechanical diverter.



ARTICOLO COMPLETO / COMPLETE ITEM

53519CR03PR
CR

PARTE INCASSO BUILT-IN PART **PARTE ESTERNA DA ABBINARE** EXTERNAL MATCHING PART

FINITURE / FINISHES

09763/3

53519CR03PREU
CR

53519NS03PREU
NS/NE

53519OR03PREU
OR

Non disponibile in altre finiture. / Not available in other finishes.

PROLUNGA / MIXER EXTENSION

00102CRPRP3

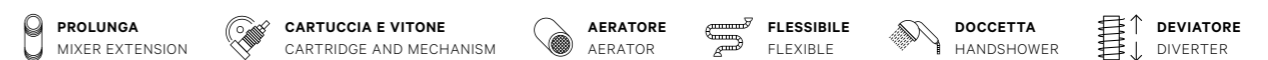
OPTIONAL: Scatola incasso per cartongesso / Built-in box for drywall and cavity wall **09702PBOX**

RICAMBI / SPARE PARTS

9813

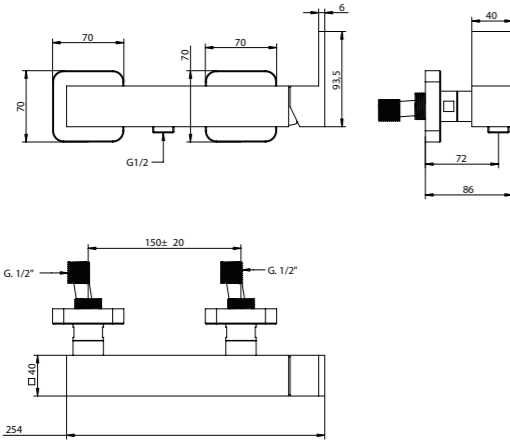
09860

ACCESSORI E RICAMBI / ACCESSORIES AND SPARE PARTS



53523/PR

Miscelatore doccia esterno. External shower mixer.



ARTICOLO COMPLETO / COMPLETE ITEM

53523CRPR
CR

53523NSPR
NS/NE

53523ORPR
OR

Non disponibile in altre finiture. / Not available in other finishes.

ABBINABILE A / TO MATCH WITH:
Saliscendi / Sliding rail - 874

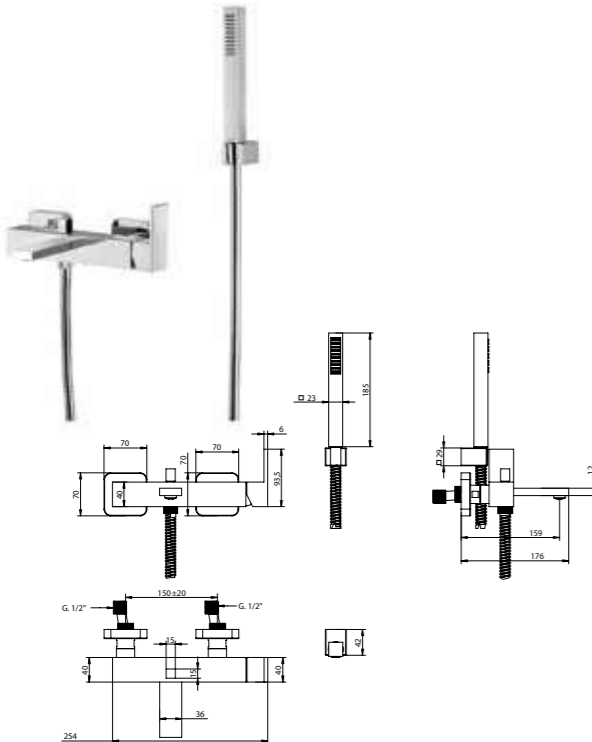
RICAMBI / SPARE PARTS

9838

53526/DPR

Miscelatore vasca esterno con set doccia. External bath mixer with shower set.

Dettaglio flessibili / Flexible details pag. 42



ARTICOLO COMPLETO / COMPLETE ITEM

53526CRODPR
CR

53526NSODPR
NS/NE

53526ORODPR
OR

Non disponibile in altre finiture. / Not available in other finishes.

RICAMBI / SPARE PARTS

9838

9611CR

00115CRPR

9600XPV

9982

00854CROE

00854XX00 *

* Ricambio per finiture diverse dal cromo. / Spare part for different finishes.
 † Per le finiture verniciate e satinato il flessibile verrà fornito in PVC nero. / The flexible hose will be supplied in black PVC for painted and matt finishes.

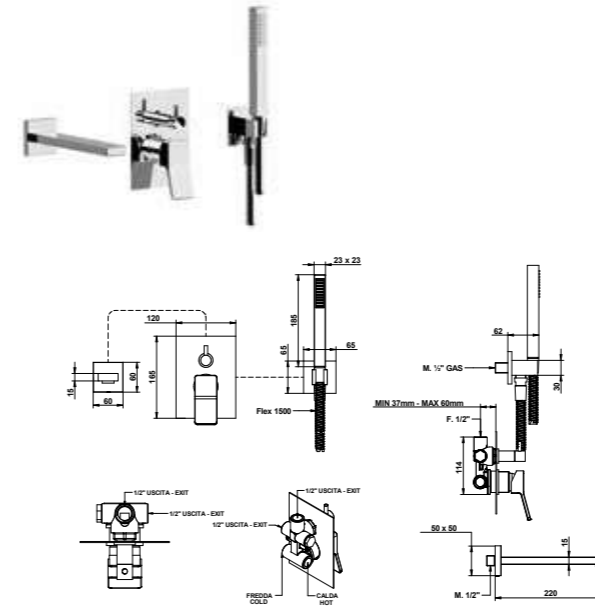
FINITURE E COLORI / FINISHES AND COLOURS



53530/DPR

Gruppo vasca incasso con set doccia duplex e deviatore meccanico. Built-in bath and shower mixer with duplex shower set and mechanical diverter.

Dettaglio flessibili / Flexible details pag. 42



* Ricambio per finiture diverse dal cromo. / Spare part for different finishes.
 † Per le finiture verniciate e satinato il flessibile verrà fornito in PVC nero. / The flexible hose will be supplied in black PVC for painted and matt finishes.

ARTICOLO COMPLETO / COMPLETE ITEM

53530CRODPR
CR

PARTE INCASSO
BUILT-IN PART

PARTE ESTERNA DA ABBINARE
EXTERNAL MATCHING PART

FINITURE / FINISHES

9763

53530CRODPREU
CR

53530NSODPREU
NS/NE

53530ORODPREU
OR

Non disponibile in altre finiture. / Not available in other finishes.

PROLUNGA / MIXER EXTENSION

00102CRPRP3

OPTIONAL: Scatola incasso per cartongesso / Built-in box for drywall and cavity wall **09702PBOX**

RICAMBI / SPARE PARTS

9813

9611CR

9861

9600XPV

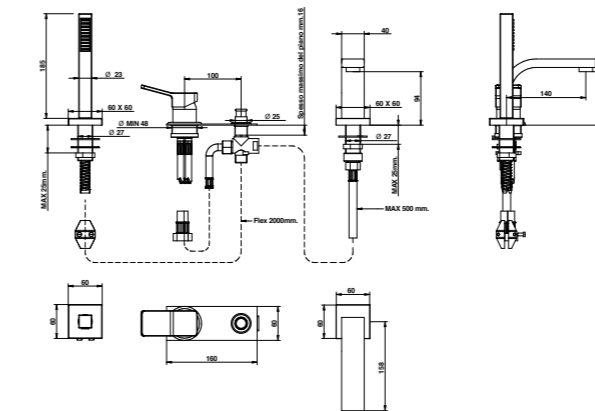
9984/VA

00854CROE

00854XX00 *

53531/DPR

Miscelatore bordo vasca con set doccia. Deck bath mixer with handshower set.



ARTICOLO COMPLETO / COMPLETE ITEM

53531CRODPR
CR

53531NSODPR
NS/NE

53531ORODPR
OR

RICAMBI / SPARE PARTS

9813

9606CR

00127CR

9982

00854CROE

00854XX00 *

* Ricambio per finiture diverse dal cromo. / Spare part for different finishes.

ACCESSORI E RICAMBI / ACCESSORIES AND SPARE PARTS



53534/ODPR

Miscelatore vasca a pavimento con set doccia e deviatore. Floor mounted bath mixer with shower set and diverter.

Dettaglio flessibili / Flexible details pag. 42**ARTICOLO COMPLETO / COMPLETE ITEM**

53534CR
ODPR

PARTE INCASSO
BUILT-IN PART

PARTE ESTERNA DA ABBINARE
EXTERNAL MATCHING PART

FINITURE / FINISHES

09744

53534CR
ODPREU

53534NS
ODPREU *

53534OR
ODPREU

* Nelle varianti colore verniciate e satinare alcuni particolari saranno in finitura galvanica per garantire gli standard qualitativi. / To assure our quality standard on colored and satin product, some details remain in galvanic finishes.

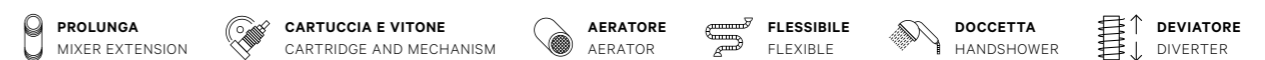
RICAMBI / SPARE PARTS

	9813		9982
	9611CR		00854CROE
	00138		00854XX00 *
	9600XPV □		

* Ricambio per finiture diverse dal cromo. / Spare part for different finishes.
* Per le finiture verniciate e satinare il flessibile verrà fornito in PVC nero. / The flexible hose will be supplied in black PVC for painted and matt finishes.



Art. 53521CRPR

FINITURE E COLORI / FINISHES AND COLOURS**ACCESSORI E RICAMBI / ACCESSORIES AND SPARE PARTS**

PI7

DESIGN CENTER DIRECTED BY
ANTONIO BONGIO



FREEDOM SENSATION

1

PUREZZA QUOTIDIANA

Routine purity

Purezza, sostanza e funzionalità sono i tre principi che fanno di PI7 il protagonista della quotidianità. Le linee squadrate e compatte e la finitura cromo danno vita a un look adatto a soddisfare ogni esigenza stilistica.

Purity, essence and functionality are the three principles that make PI7 the star of everyday life. The square, compact lines and chrome finish create a look that will fit any decorative style.



#CONCRETE



#VERSATILE

1. Art.07521CRPR

INFORMAZIONI TECNICHE

Technical details



CARTUCCIA: La serie PI7 è dotata di diverse tipologie di cartucce: cartuccia \varnothing 35 mm con e senza distributore. La temperatura d'impianto non deve superare i 70°C. La pressione di esercizio dell'impianto consigliata è di 3 bar.
EROGAZIONE: La serie PI7 ha un tipo di erogazione morbida. **I lavabi e i bidet sono forniti con limitatore di portata da 6 l/m.**
SISTEMI DI DEVIAZIONE: I deviatori Bongio sono testati per funzionare da un minimo di 0,5 bar pressione.
INSTALLAZIONE: Tutti gli articoli ad incasso Bongio completi sono forniti di relative parti da incassare. Per i miscelatori lavabo e bidet da installarsi su piano, devono essere realizzati fori di \varnothing 35 mm massimo.

CARTRIDGE: PI7 series uses different kind of cartridges: \varnothing 35 mms with or without distributor. The temperature of the plant must not exceed 70°. The ideal working pressure of the plant is 3 bar.
SUPPLY: PI7 series has a soft supply. **Basin and bidet mixers have a standard limitation of flow to 6 l/m which reduces the water waste.**
DIVERTING SYSTEMS: Bongio diverters have been tested to work properly starting from a minimum 0,5 bar pressure.
INSTALLATION: All the built-in items are available with universal raw built-in body. For the basin and bidet mixers - single or three holes - to be place on top deck, they require \varnothing 35 mms maximum holes.



LAVABO / WASHBASIN
 Art. 07521CRPR
 Art. 07520CRPR

FINITURE E COLORI / FINISHES AND COLOURS

DETTAGLI / MORE INFO PAG. 38

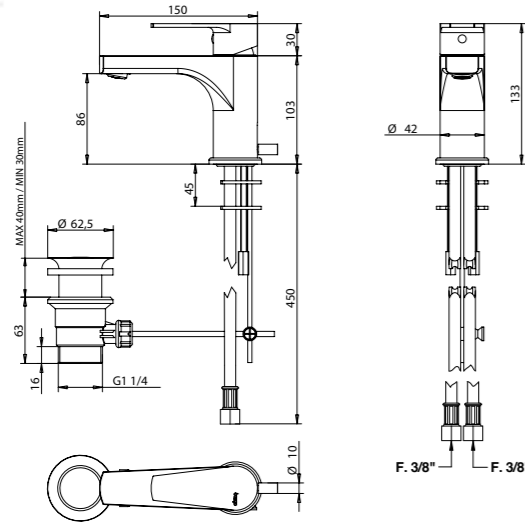


CR
 Cromo
 Chrome

Disponibili le finiture NS - NE - OR solo su richiesta per progetti
 NS - NE - OR finishes available only upon request for specific projects.

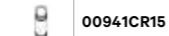
07521/PR

Miscelatore lavabo con scarico 1.1/4". Basin mixer with 1.1/4" pop-up waste.

**ARTICOLO COMPLETO / COMPLETE ITEM****07521CRPR**
CR

Non disponibile in altre finiture. / Not available in other finishes.

ABBINABILE A / TO MATCH WITH:
Sifone / Siphon - **00067CR00**
Sifone / Siphon - **00065CR00**

PROLUNGA / MIXER EXTENSION

00941CR15

RICAMBI / SPARE PARTS

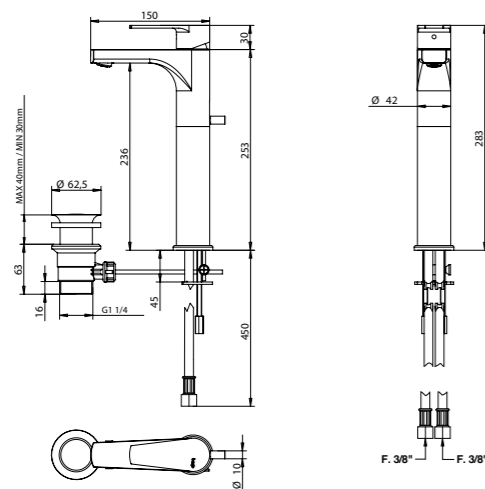
9847



9982

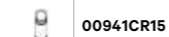
07532/PR

Miscelatore lavabo con prolunga 150 mm e scarico 1.1/4". Basin mixer with 150 mms. extension and 1.1/4" pop-up waste.

**ARTICOLO COMPLETO / COMPLETE ITEM****07532CRPR**
CR

Non disponibile in altre finiture. / Not available in other finishes.

ABBINABILE A / TO MATCH WITH:
Sifone / Siphon - **00067CR00**
Sifone / Siphon - **00065CR00**

PROLUNGA / MIXER EXTENSION

00941CR15

RICAMBI / SPARE PARTS

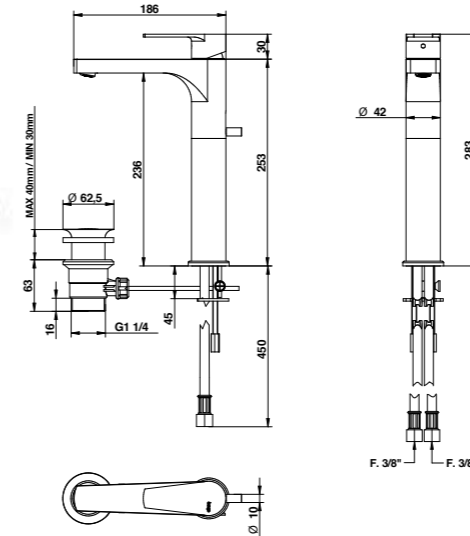
9847



9982

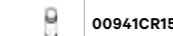
07520/PR

Miscelatore lavabo con prolunga 150 mm, bocca lunga e scarico 1.1/4". Basin mixer with 150 mms. extension long spout and 1.1/4" pop-up waste.

**ARTICOLO COMPLETO / COMPLETE ITEM****07520CRPR**
CR

Non disponibile in altre finiture. / Not available in other finishes.

ABBINABILE A / TO MATCH WITH:
Sifone / Siphon - **00067CR00**
Sifone / Siphon - **00065CR00**

PROLUNGA / MIXER EXTENSION

00941CR15

RICAMBI / SPARE PARTS

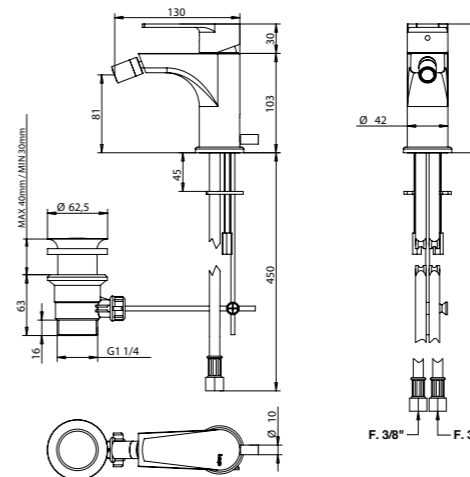
9847



9982

07522/PR

Miscelatore bidet con scarico 1.1/4". Bidet mixer with 1.1/4" pop-up waste.

**ARTICOLO COMPLETO / COMPLETE ITEM****07522CRPR**
CR

Non disponibile in altre finiture. / Not available in other finishes.

ABBINABILE A / TO MATCH WITH:
Sifone / Siphon - **00066CR00**

RICAMBI / SPARE PARTS

9847



9393CR

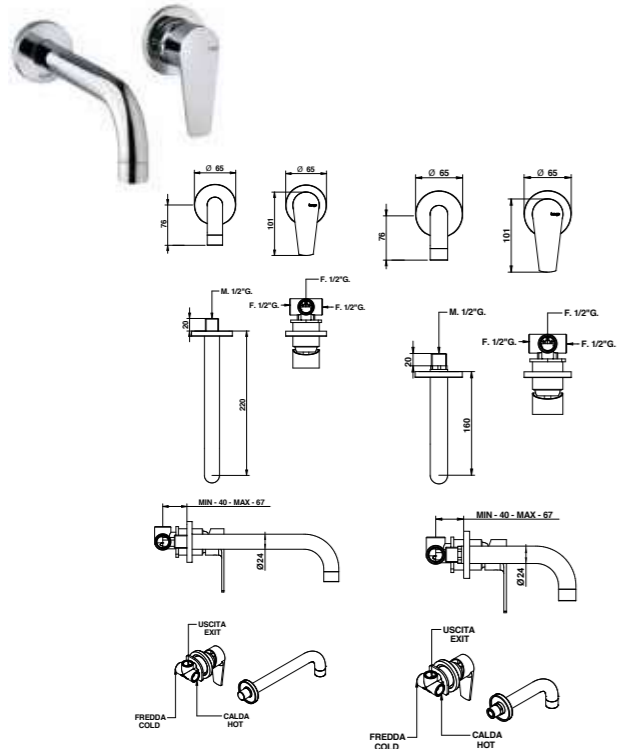
FINITURE E COLORI / FINISHES AND COLOURS

CR

ACCESSORI E RICAMBI / ACCESSORIES AND SPARE PARTS**PROLUNGA**
MIXER EXTENSION**CARTUCCIA E VITONE**
CARTRIDGE AND MECHANISM**AERATORE**
AERATOR**FLESSIBILE**
FLEXIBLE**DOCCETTA**
HANDSHOWER**DEVIATORE**
DIVERTER

07538/16-22PR

Miscelatore lavabo incasso con bocca 160 - 220 mm. Built-in basin mixer with 160 - 220 mms. spout.

**ARTICOLO COMPLETO / COMPLETE ITEM**

07538CR16PR
CR

07538CR22PR
CR

PARTE INCASSO / BUILT-IN PART
PARTE ESTERNA DA ABBINARE / EXTERNAL MATCHING PART

FINITURE / FINISHES

09761

07538CR16PREU
CR

07538CR22PREU
CR

Non disponibile in altre finiture. / Not available in other finishes.

ABBINABILE A / TO MATCH WITH:
Sifone / Siphon - **00067CR00**
Sifone / Siphon - **00065CR00**
Piletta clic-clac / Clic-clac waste - **00079CRPR**

PROLUNGA / MIXER EXTENSION

00100CRPRPR

RICAMBI / SPARE PARTS

9830



9999CR

07538/1A - 2APR

Miscelatore lavabo incasso con bocca 160 - 220 mm completo di connessioni incasso.

Built-in basin mixer with 160 - 220 mms spout complete with built-in connection.

**ARTICOLO COMPLETO / COMPLETE ITEM**

07538CR1APR
CR

07538CR2APR
CR

PARTE INCASSO / BUILT-IN PART
PARTE ESTERNA DA ABBINARE / EXTERNAL MATCHING PART

FINITURE / FINISHES

09690

07538CR1APREU
CR

07538CR2APREU
CR

Non disponibile in altre finiture. / Not available in other finishes.

ABBINABILE A / TO MATCH WITH:
Sifone / Siphon - **00067CR00**
Sifone / Siphon - **00065CR00**
Piletta clic-clac / Clic-clac waste - **00079CRPR**

PROLUNGA / MIXER EXTENSION

00100CRPRPR

RICAMBI / SPARE PARTS

9830



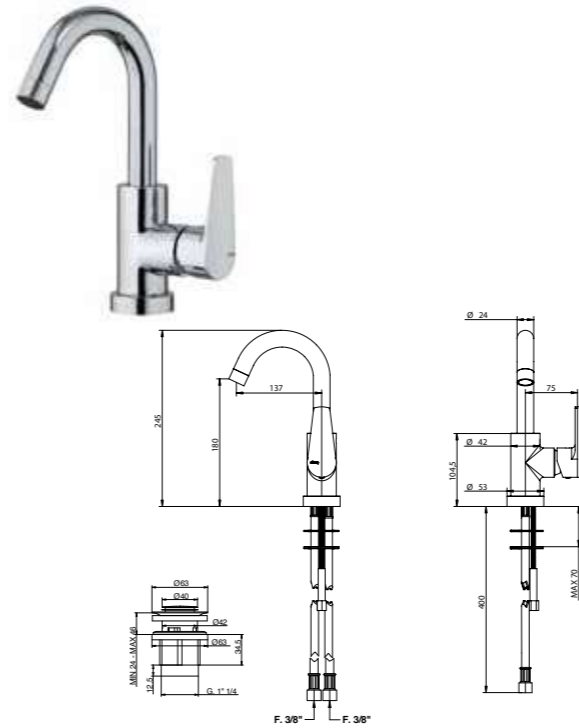
9999CR

FINITURE E COLORI / FINISHES AND COLOURS

CR

07581/PR

Miscelatore lavabo con bocca bassa girevole e piletta clic-clac. Basin mixer with short swivel spout and clic-clac waste.

**ARTICOLO COMPLETO / COMPLETE ITEM**

07581CRPR
CR

Non disponibile in altre finiture. / Not available in other finishes.

ABBINABILE A / TO MATCH WITH:
Sifone / Siphon - **00067CR00**
Sifone / Siphon - **00065CR00**

PROLUNGA / MIXER EXTENSION

00942CR15

RICAMBI / SPARE PARTS

9838



9999CR

07583/PR

Miscelatore lavabo con bocca alta girevole e piletta clic-clac. Basin mixer with clic-clac waste.

**ARTICOLO COMPLETO / COMPLETE ITEM**

07583CRPR
CR

Non disponibile in altre finiture. / Not available in other finishes.

ABBINABILE A / TO MATCH WITH:
Sifone / Siphon - **00067CR00**
Sifone / Siphon - **00065CR00**

PROLUNGA / MIXER EXTENSION

00942CR15

RICAMBI / SPARE PARTS

9838



9999CR

ACCESSORI E RICAMBI / ACCESSORIES AND SPARE PARTS

PROLUNGA
MIXER EXTENSION



CARTUCCIA E VITONE
CARTRIDGE AND MECHANISM



AERATORE
AERATOR



FLESSIBILE
FLEXIBLE



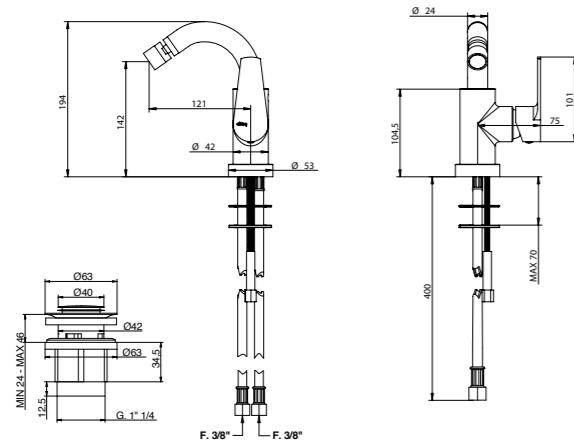
DOCCETTA
HANDSHOWER



DEVIATORE
DIVERTER

07582/PR

Miscelatore bidet con bocca girevole e piletta clic-clac. Bidet mixer with swivel spout and clic-clac waste.



ARTICOLO COMPLETO / COMPLETE ITEM

07582CRPR
CR

Non disponibile in altre finiture. / Not available in other finishes.

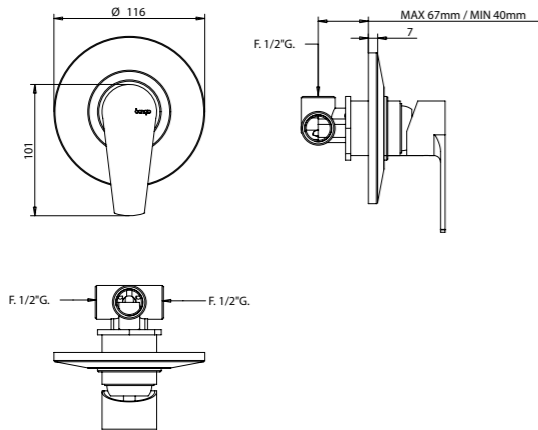
ABBINABILE A / TO MATCH WITH:
Sifone / Siphon - **00066CROO**

RICAMBI / SPARE PARTS

9838	9980CR
-------------	---------------

07524/PR

Miscelatore incasso. Built-in mixer.



ARTICOLO COMPLETO / COMPLETE ITEM

07524CRPR
CR

PARTE INCASSO / BUILT-IN PART **PARTE ESTERNA DA ABBINARE** / EXTERNAL MATCHING PART

FINITURE / FINISHES

09761 **07524CRPREU**
CR

Non disponibile in altre finiture. / Not available in other finishes.

PROLUNGA / MIXER EXTENSION

00100CRPRPR

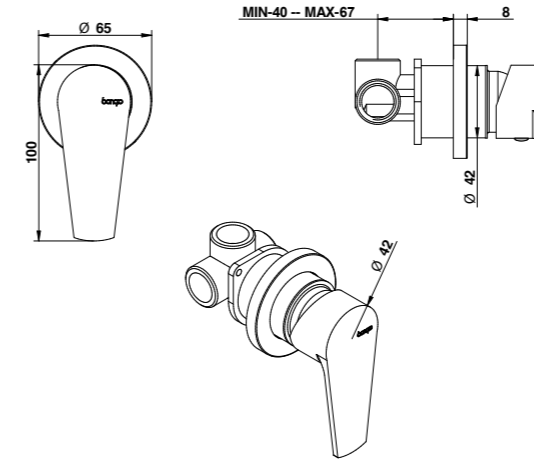
OPTIONAL: Scatola incasso per cartongesso / Built-in box for drywall and cavity wall **09702PBOX**

RICAMBI / SPARE PARTS

9830

07524/RPPR

Miscelatore incasso. Built-in mixer.



ARTICOLO COMPLETO / COMPLETE ITEM

07524CRPPR
CR

PARTE INCASSO / BUILT-IN PART **PARTE ESTERNA DA ABBINARE** / EXTERNAL MATCHING PART

FINITURE / FINISHES

09761 **07524CRPPREU**
CR

Non disponibile in altre finiture. / Not available in other finishes.

PROLUNGA / MIXER EXTENSION

0100CRPRPR

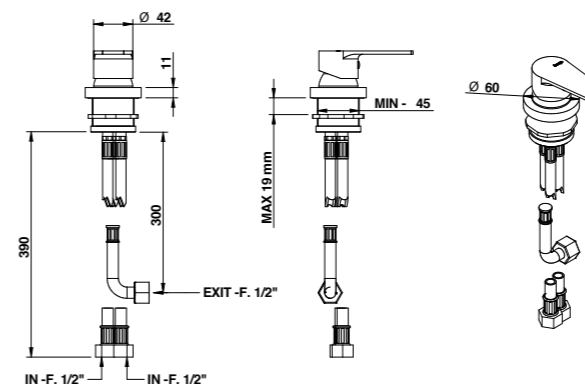
OPTIONAL: Scatola incasso per cartongesso / Built-in box for drywall and cavity wall **09702PBOX**

RICAMBI / SPARE PARTS

9830

07510/PR

Miscelatore bordo piano. Mixer for deck installation.



ARTICOLO COMPLETO / COMPLETE ITEM

07510CRPR
CR

Non disponibile in altre finiture. / Not available in other finishes.

RICAMBI / SPARE PARTS

9830

FINITURE E COLORI / FINISHES AND COLOURS



CR

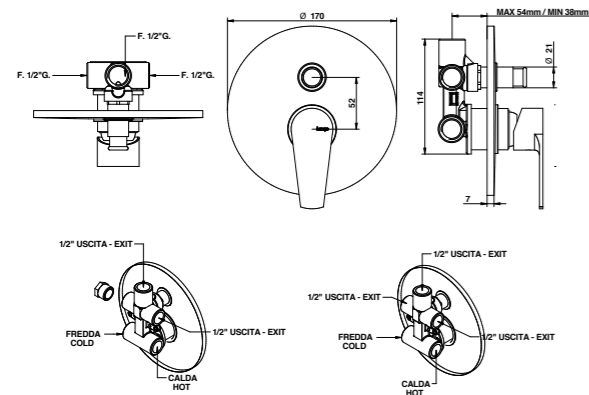
ACCESSORI E RICAMBI / ACCESSORIES AND SPARE PARTS



07529/PR

Miscelatore incasso con deviatore automatico a 2 uscite.

Built-in mixer with 2 way automatic diverter.



ARTICOLO COMPLETO / COMPLETE ITEM

07529CRPR
CR

Non disponibile in altre finiture. / Not available in other finishes.

Il corpo incasso non può essere anticipato. / Built-in body cannot be delivered separately in advance.

PROLUNGA / MIXER EXTENSION

00102CRPRR

OPTIONAL: Scatola incasso per cartongesso / Built-in box for drywall and cavity wall **09702PBOX**

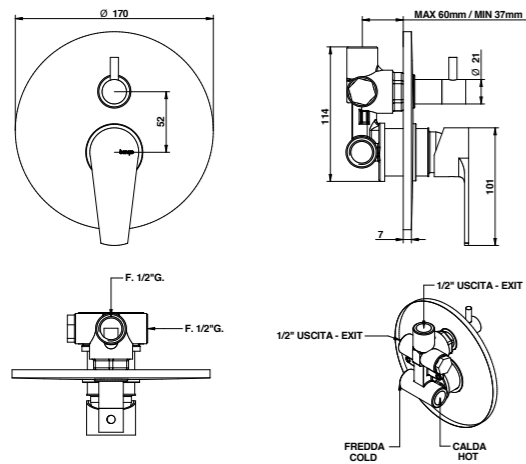
RICAMBI / SPARE PARTS

9830 **00114CRPR**

07519/PR

Miscelatore incasso con deviatore meccanico a 2 uscite.

Built-in mixer with 2 way mechanical diverter.



ARTICOLO COMPLETO / COMPLETE ITEM

07519CRPR
CR

PARTE INCASSO **PARTE ESTERNA DA ABBINARE**
BUILT-IN PART EXTERNAL MATCHING PART

FINITURE / FINISHES

09763 **07519CRPREU**
CR

Non disponibile in altre finiture. / Not available in other finishes.

PROLUNGA / MIXER EXTENSION

00102CRPRP3

OPTIONAL: Scatola incasso per cartongesso / Built-in box for drywall and cavity wall **09702PBOX**

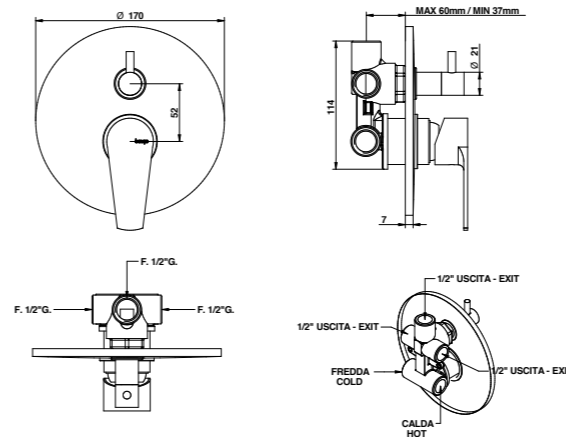
RICAMBI / SPARE PARTS

9830 **9861**

07519/3PR

Miscelatore incasso con deviatore meccanico a 3 uscite.

Built-in mixer with 3 exits mechanical diverter.



ARTICOLO COMPLETO / COMPLETE ITEM

07519CR03PR
CR

PARTE INCASSO **PARTE ESTERNA DA ABBINARE**
BUILT-IN PART EXTERNAL MATCHING PART

FINITURE / FINISHES

09763/03 **07519CR03PREU**
CR

Non disponibile in altre finiture. / Not available in other finishes.

PROLUNGA / MIXER EXTENSION

00102CRPRP3

OPTIONAL: Scatola incasso per cartongesso / Built-in box for drywall and cavity wall **09702PBOX**

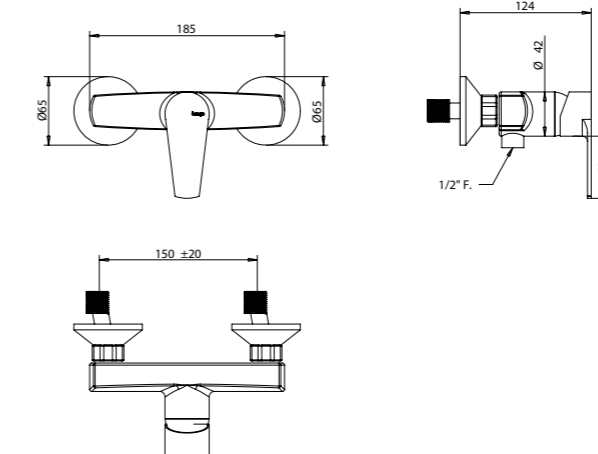
RICAMBI / SPARE PARTS

9830 **09860**

07523/PR

Miscelatore doccia esterno.

External shower mixer.



ARTICOLO COMPLETO / COMPLETE ITEM

07523CRPR
CR

Non disponibile in altre finiture. / Not available in other finishes.

ABBINABILE A / TO MATCH WITH:
Saliscendi / Sliding rail - **875CR3GPR**

RICAMBI / SPARE PARTS

9847

FINITURE E COLORI / FINISHES AND COLOURS



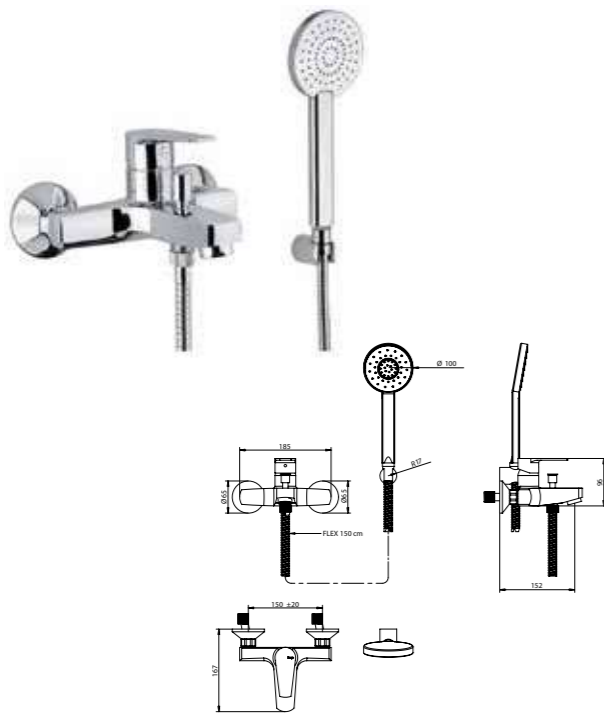
CR

ACCESSORI E RICAMBI / ACCESSORIES AND SPARE PARTS



07526/DPR

Miscelatore vasca esterno completo di set doccia. External bath and shower mixer with duplex shower set.



ARTICOLO COMPLETO / COMPLETE ITEM

07526CR0DPR
CR

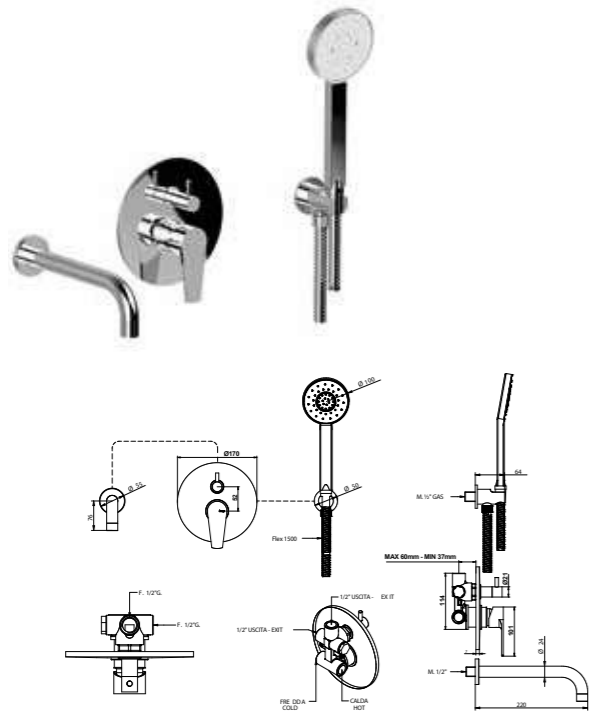
Non disponibile in altre finiture. / Not available in other finishes.

RICAMBI / SPARE PARTS

9847	9997CR
9611CR	00941CR00
00132CR	

07530/DPR

Gruppo vasca incasso con set doccia duplex e deviatore meccanico. Built-in bath and shower mixer with duplex shower set and mechanical diverter.



ARTICOLO COMPLETO / COMPLETE ITEM

07530CR0DPR
CR

PARTE INCASSO **PARTE ESTERNA DA ABBINARE**
BUILT-IN PART EXTERNAL MATCHING PART

FINITURE / FINISHES

09763 **07530CR0DPREU**
CR

Non disponibile in altre finiture. / Not available in other finishes.

PROLUNGA / MIXER EXTENSION

00102CRPRPR

RICAMBI / SPARE PARTS

9830	9999CR
9611CR	00941CR00
00114CRPR	

FINITURE E COLORI / FINISHES AND COLOURS



CR

07531/D

Miscelatore bordo vasca completo di set doccia. Deck bath mixer with handshower set.



ARTICOLO COMPLETO / COMPLETE ITEM

07531CR0DPR
CR

Non disponibile in altre finiture. / Not available in other finishes.

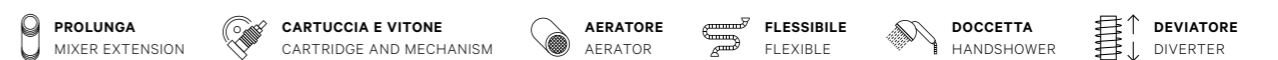
RICAMBI / SPARE PARTS

9830	9385CR
9606CR	00850CR0E
00127CR	



Art. 07521CRPR

ACCESSORI E RICAMBI / ACCESSORIES AND SPARE PARTS



CLASSIC

COLLECTIONS

PAG. 652

ROYALE80 / IMPERO / IMPERO METAL

PAG. 680

FLEUR BLANC&NOIR

PAG. 704

CRISTALLO / RIVOLI

PAG. 728

RADIANT

PAG. 748

AXEL

PAG. 772

OXFORD LUX / MILLE NUITS / CAPRI

PAG. 794

LA TOSCA

PAG. 814

TURANDOT

ROYALE80 & IMPERO

DESIGN CENTER DIRECTED BY
ANTONIO BONGIO



INNATE
PASSION
FOR LUXURY

1

ROYALE80 & IMPERO

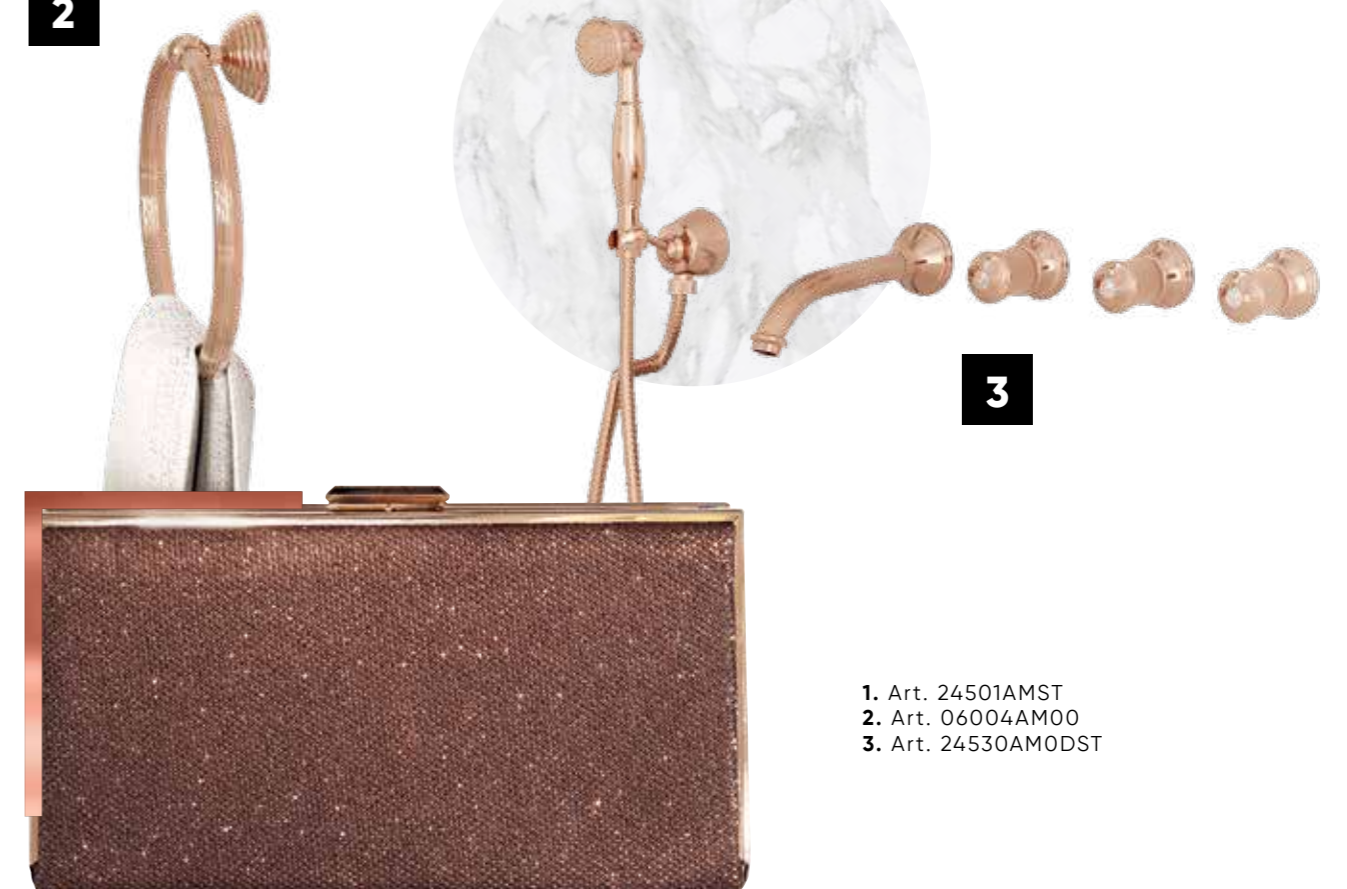
SCENOGRAFIE FUNZIONALI

Functional scenic designs

Prezioso nelle finiture e tecnologico nelle funzionalità, ROYALE80 è una collezione di impatto scenografico che arricchisce tutti gli ambienti dal mood decorativo accentuato come quelli dell'hôtellerie e degli spazi dell'ospitalità. I cristalli Swarovski® e la raffinata lavorazione dei metalli lo rendono adatto anche ad applicazioni residenziali dal gusto ricercato.

Owing to its elegant finishes and sophisticated technological features, ROYALE80 is a collection with a strong visual impact that is meant to decorate environments with an accentuated decorative mood like those we find in hotels and accommodation facilities. The Swarovski® crystals and elegant metal finishes, though, also make it suitable for residential applications with a refined taste.

2



3

1. Art. 24501AMST
2. Art. 06004AM00
3. Art. 24530AMODST





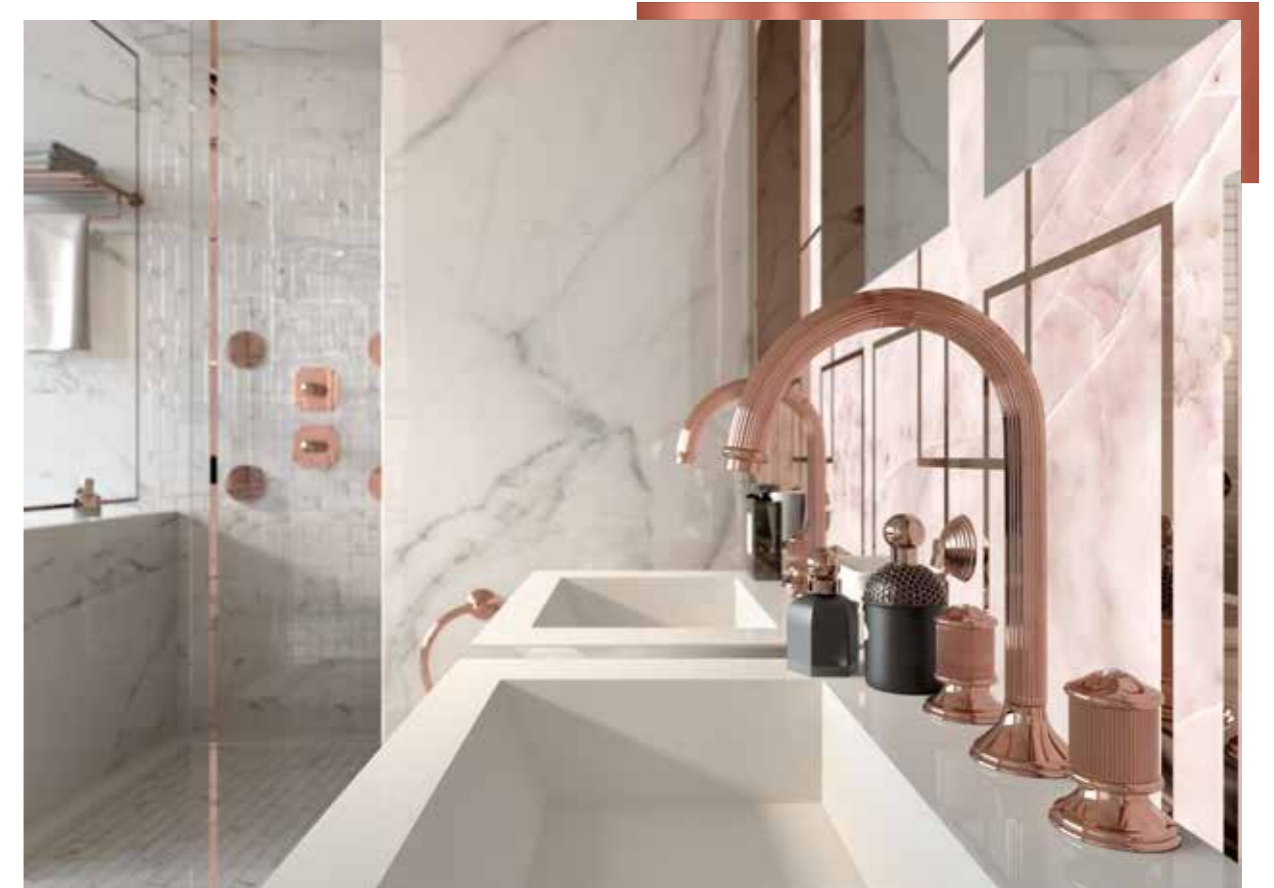
LAVABO / WASHBASIN
Art. 24501AMST

BIDET / BIDET
Art. 24503AMST

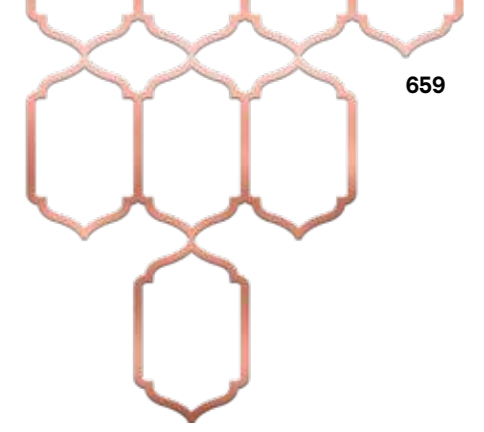
DOCCIA / SHOWER
Art. 00888AMC4RPR
Art. 06524AM00
Art. 06556AM00
Art. 00867AMNR
Art. 00893AM0R

VASCA / BATHTUB
Art. 24530AMODST

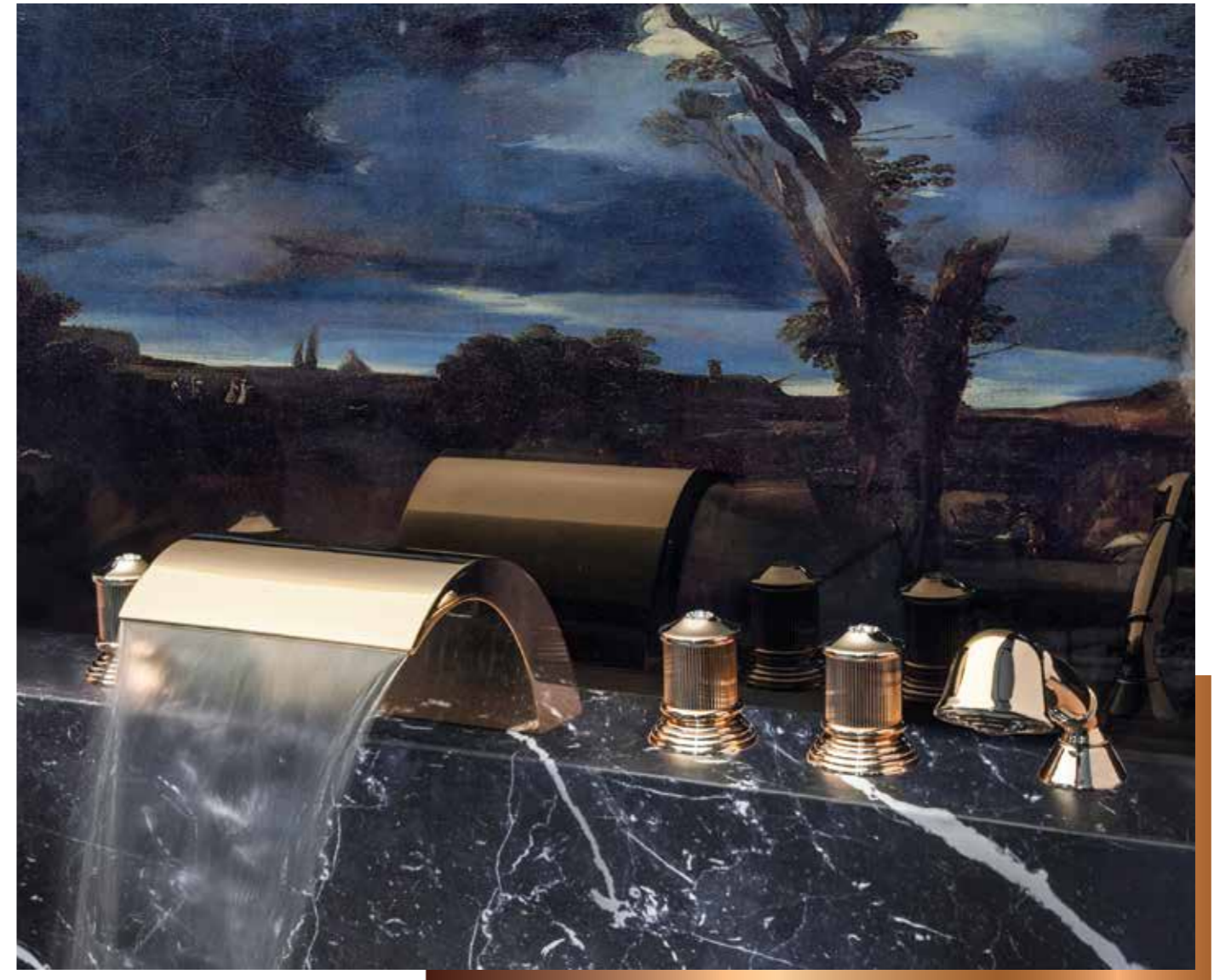
ACCESSORI / ACCESSORIES
Art. 06001AM00
Art. 06004AM00
Art. 06008AM00
Art. 06014AM00
Art. 06015AM00
Art. 21025AM00
Art. 04104AM00
Art. 04101AM00
Art. 44033AM00



#PRICELESSBEAUTY



#REFINEDTASTE



VASCA / BATHTUB
Art. 065350ROD

LAVABO / WASHBASIN
Art. 24501ORST

DOCCIA / SHOWER
Art. 06549OR00

#GOLDENELEGANCE



INFORMAZIONI TECNICHE

Technical details



VITONI: La serie Royale80 & Impero è dotata di vitoni a dischi ceramici 1/4 giro e di cartuccia progressiva Ø 35 mm.

Il funzionamento della cartuccia miscelatrice avviene con movimento rotatorio in senso orario, permettendo un erogazione dell'acqua da completamente fredda a miscelata per passare a tutta calda, questo sistema permette una notevole riduzione di consumo di acqua calda.

La temperatura d'impianto non deve superare i 70°C. La pressione di esercizio dell'impianto consigliata è di 3 bar.

EROGAZIONE: La serie Royale80 & Impero ha un tipo di erogazione morbida. I lavabi e i bidet sono forniti con limitatore di portata da 6l/m, permettendo un notevole risparmio d'acqua.

INSTALLAZIONE: Tutti gli articoli ad incasso Bongio completi sono forniti di relative parti incasso.

Gli articoli doccia e vasca esterni hanno un interasse di 15±20 mm.

Per gli articoli lavabo e bidet, monoforo e tre fori, da installarsi su piano, devono essere realizzati fori Ø 35 mm massimo.

MECHANISM: Royale80 & Impero series has 1/4' turn ceramic disc mechanism and Ø 35 mms. progressive cartridge.

The progressive cartridge works through a turning clock wise movement obtaining a water supply from completely cold to mixed water to total hot water, highly reducing hot water consumption.

The temperature of the plant should not exceed 70 degrees. The suggested working pressure of the plant has to be 3 bar.

SUPPLY: Royale80 & Impero series has a soft supply. Basin and bidet mixers have a standard limitation of flow to 6l/m which reduces the water waste.

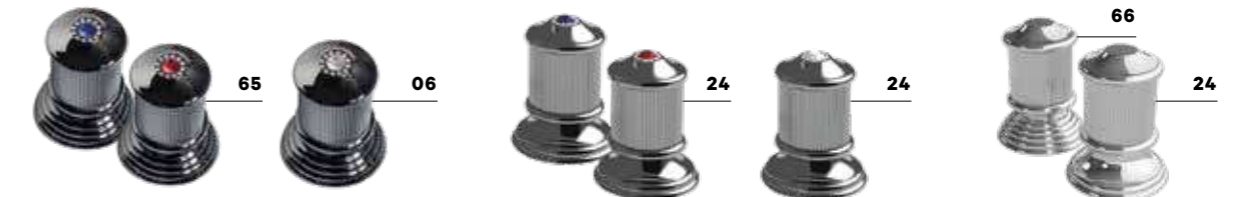
INSTALLATION: All the built-in Bongio items are available with universal raw built-in body.

All the external shower and bath mixers have the 15±20 mms interaxe.

For the basin and bidet mixers - single or three holes - to be place on top deck, they require Ø 35 mms maximum holes.

MANIGLIE / HANDLES

Elementi Swarovsky® / Swarovsky® Elements



65...
Rosso e Blu
Red and Blu
(...RB)

06...
Trasparente
Transparent
(...ST)

24.../RB
Rosso e Blu
Red and Blu
(...RB)

24.../ST
Trasparente
Transparent
(...ST)

66... - 24.../CL
Caldo / Freddo
Hot / Cold
(...CL)
Senza / without Swarovsky

FINITURE E COLORI / FINISHES AND COLOURS

DETTAGLI / MORE INFO PAG. 38



CR
Cromo
Chrome



CN
Cromo Nero
Black Chrome



NI
Nichel Lucido
Light Nickel



OR
Oro 24kt
24kt Gold



OP
Oro Spazzolato 24kt
24kt Brushed Gold



AM
Oro Rosa Satinato
Matt Rose Gold

06501-65501-66501

Gruppo lavabo tre fori completo di scarico 1.1/4". Three holes basin mixer with 1.1/4" pop-up waste.



ARTICOLO COMPLETO / COMPLETE ITEM

06501CR00 - 65501CR00 - 66501CR00
CR

06501OR00 - 65501OR00 - 66501OR00
OR

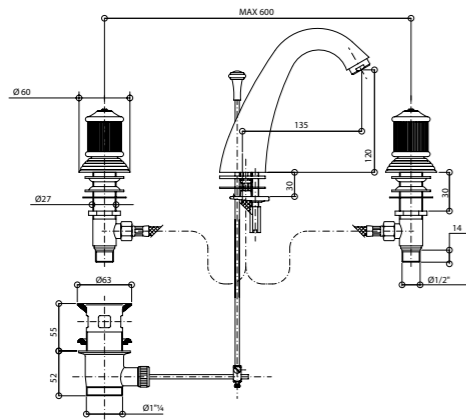
06501AM00 - 65501AM00 - 66501AM00
AM/OP/CN/NI

06501XX00 - 65501XX00 - 66501XX00 *
XX

* XX: Per tutte le altre finiture fattibili riferirsi a questa fascia di prezzo. / Refer to this line of price for all other realizable finishes.

Non disponibile in BM - TT - BU - ON - FA - IM - NM - OM - HM - CM / Not available BM - TT - BU - ON - FA - IM - NM - OM - HM - CM

ABBINABILE A / TO MATCH WITH:
Sifone / Siphon - **00065CR00**



RICAMBI / SPARE PARTS

	9792 *		9792 □
	9998CR		

* Calda / Hot
* Fredda / Cold

06503-65503-66503

Gruppo bidet tre fori completa di scarico 1.1/4". Three holes bidet mixer with 1.1/4" pop-up waste.



ARTICOLO COMPLETO / COMPLETE ITEM

06503CR00 - 65503CR00 - 66503CR00
CR

06503OR00 - 65503OR00 - 66503OR00
OR

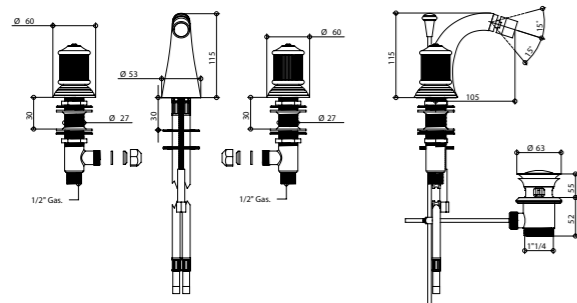
06503AM00 - 65503AM00 - 66503AM00
AM/OP/CN/NI

06503XX00 - 65503XX00 - 66503XX00 *
XX

* XX: Per tutte le altre finiture fattibili riferirsi a questa fascia di prezzo. / Refer to this line of price for all other realizable finishes.

Non disponibile in BM - TT - BU - ON - FA - IM - NM - OM - HM - CM / Not available BM - TT - BU - ON - FA - IM - NM - OM - HM - CM

ABBINABILE A / TO MATCH WITH:
Sifone / Siphon - **00066CR00**



RICAMBI / SPARE PARTS

	9792 *		9792 □
	9979CR		

* Calda / Hot
* Fredda / Cold

FINITURE E COLORI / FINISHES AND COLOURS



ACCESSORI COORDINATI / CO-ORDINATED ACCESSORIES PAG. 864

06521-65521-66521

Monoforo lavabo completo di scarico 1.1/4". Single hole basin mixer with 1.1/4" pop-up waste.



ARTICOLO COMPLETO / COMPLETE ITEM

06521CR00 - 65521CR00 - 66521CR00
CR

06521OR00 - 65521OR00 - 66521OR00
OR

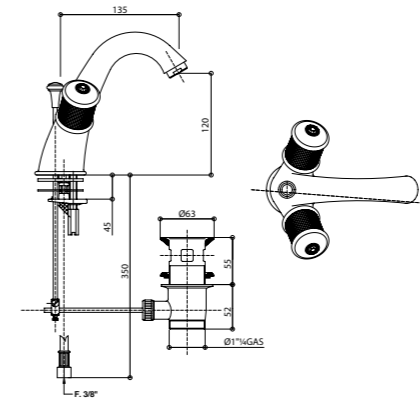
06521AM00 - 65521AM00 - 66521AM00
AM/OP/CN/NI

06521XX00 - 65521XX00 - 66521XX00 *
XX

* XX: Per tutte le altre finiture fattibili riferirsi a questa fascia di prezzo. / Refer to this line of price for all other realizable finishes.

Non disponibile in BM - TT - BU - ON - FA - IM - NM - OM - HM - CM / Not available BM - TT - BU - ON - FA - IM - NM - OM - HM - CM

ABBINABILE A / TO MATCH WITH:
Sifone / Siphon - **00065CR00**



PROLUNGA / MIXER EXTENSION

	945CR15
--	----------------

RICAMBI / SPARE PARTS

	9792 *		9791 □
	9998CR		

* Calda / Hot
* Fredda / Cold

06532-65532-66532 NEW

Monoforo lavabo con prolunga 150 mm, completo di scarico 1.1/4". Single hole basin mixer with 150 mms. extension and 1.1/4" popup waste.



ARTICOLO COMPLETO / COMPLETE ITEM

06532CR00 - 65532CR00 - 66532CR00
CR

06532OR00 - 65532OR00 - 66532OR00
OR

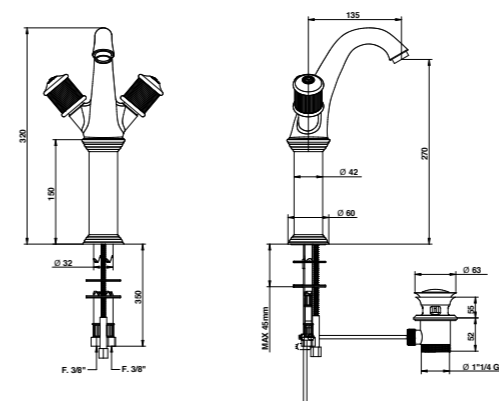
06532AM00 - 65532AM00 - 66532AM00
AM/OP/CN/NI

06532XX00 - 65532XX00 - 66532XX00 *
XX

* XX: Per tutte le altre finiture fattibili riferirsi a questa fascia di prezzo. / Refer to this line of price for all other realizable finishes.

Non disponibile in BM - TT - BU - ON - FA - IM - NM - OM - HM - CM / Not available BM - TT - BU - ON - FA - IM - NM - OM - HM - CM

ABBINABILE A / TO MATCH WITH:
Sifone / Siphon - **00065CR00**



PROLUNGA / MIXER EXTENSION

	945CR15
--	----------------

RICAMBI / SPARE PARTS

	9792 *		9791 □
	9998CR		

* Calda / Hot
* Fredda / Cold

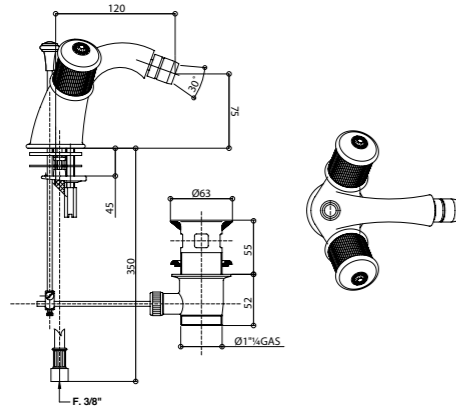
ACCESSORI E RICAMBI / ACCESSORIES AND SPARE PARTS



ROYALE 80 / IMPERO
FLEUR BLANC&NOIR
CRISTALLO / RIVOLI
RADIANT
AXEL
OXFORD LUX / MILLE NUITS
CAPRI
LA TOSCA
TURANDOT
CLASSIC

06522-65522-66522

Monoforo bidet completo di scarico 1.1/4". Single hole bidet mixer with 1.1/4" pop-up waste.



ARTICOLO COMPLETO / COMPLETE ITEM

06522CR00 - 65522CR00 - 66522CR00
CR

06522OR00 - 65522OR00 - 66522OR00
OR

06522AM00 - 65522AM00 - 66522AM00
AM/OP/CN/NI

06522XX00 - 65522XX00 - 66522XX00 *
XX

* XX: Per tutte le altre finiture fattibili riferirsi a questa fascia di prezzo. / Refer to this line of price for all other realizable finishes.

Non disponibile in BM - TT - BU - ON - FA - IM - NM - OM - HM - CM / Not available BM - TT - BU - ON - FA - IM - NM - OM - HM - CM

ABBINABILE A / TO MATCH WITH:
Sifone / Siphon - **00066CR00**

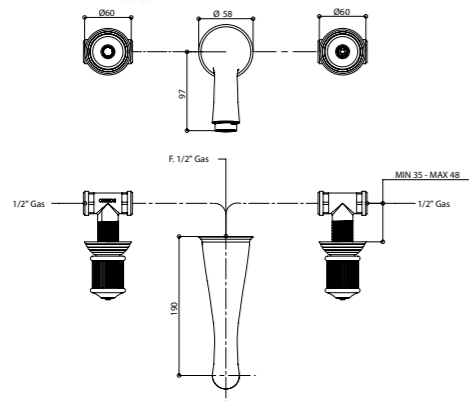
RICAMBI / SPARE PARTS

	9792 *		9791 □
	9979CR		

* Calda / Hot
□ Fredda / Cold

06538-65538-66538

Gruppo lavabo incasso a parete, bocca 190 mm. Wall basin mixer with mms. 190 spout, bocca 190 mm.



ARTICOLO COMPLETO / COMPLETE ITEM

06538CR00 - 65538CR00 - 66538CR00
CR

PARTE INCASSO BUILT-IN PART **PARTE ESTERNA DA ABBINARE EXTERNAL MATCHING PART**

FINITURE / FINISHES

09767
06538CREU
65538CREU
66538CREU
CR

06538OREU
65538OREU
66538OREU
OR

06538AMEU
65538AMEU
66538AMEU
AM/OP/CN/NI

06538XXEU
65538XXEU
66538XXEU *
XX

* XX: Per tutte le altre finiture fattibili riferirsi a questa fascia di prezzo. / Refer to this line of price for all other realizable finishes.

Non disponibile in BM - TT - BU - ON - FA - IM - NM - OM - HM - CM / Not available BM - TT - BU - ON - FA - IM - NM - OM - HM - CM

ABBINABILE A / TO MATCH WITH:
Sifone / Siphon - **00065CR00**
Piletta clic-clac / Clic-clac waste - **00079CR00**

PROLUNGA / MIXER EXTENSION

0008300CS
2 pz. per articolo / 2 pcs needed Cad. / Each

RICAMBI / SPARE PARTS

	9792 *		9792 □
	9998CR		

* Calda / Hot
□ Fredda / Cold

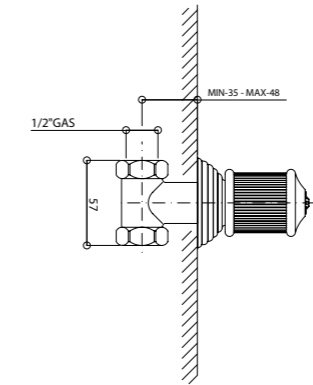
FINITURE E COLORI / FINISHES AND COLOURS



ACCESSORI COORDINATI / CO-ORDINATED ACCESSORIES PAG. 864

06500-65500-66500

Rubinetto incasso 1/2". 1/2" built-in tap.



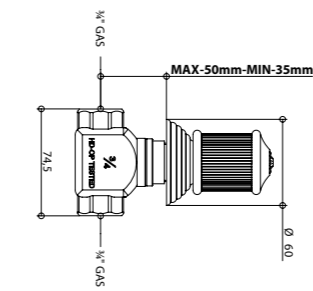
RICAMBI / SPARE PARTS

	9792 *		9792 □
--	--------	--	--------

* Calda / Hot
□ Fredda / Cold

06498-65498-66498

Rubinetto incasso da 3/4" vitone 3/4" built-in tap traditional mechanism. tradizionale.



RICAMBI / SPARE PARTS

	9804 *		9804 □
--	--------	--	--------

* Calda / Hot
□ Fredda / Cold

ACCESSORI E RICAMBI / ACCESSORIES AND SPARE PARTS



ARTICOLO COMPLETO / COMPLETE ITEM

06500CR00 - 65500CR00 - 66500CR00
CR

PARTE INCASSO BUILT-IN PART **PARTE ESTERNA DA ABBINARE EXTERNAL MATCHING PART**

FINITURE / FINISHES

09777
CALDA / hot

06500CREU
65500CREU
66500CREU
CR

09777
FREDDA / cold

06500OREU
65500OREU
66500OREU
OR

06500AMEU
65500AMEU
66500AMEU
AM/OP/CN/NI

06500XXEU
65500XXEU
66500XXEU *
XX

* XX: Per tutte le altre finiture fattibili riferirsi a questa fascia di prezzo. / Refer to this line of price for all other realizable finishes.

Non disponibile in BM - TT - BU - ON - FA - IM - NM - OM - HM - CM / Not available BM - TT - BU - ON - FA - IM - NM - OM - HM - CM

PROLUNGA / MIXER EXTENSION

0008300CS

ARTICOLO COMPLETO / COMPLETE ITEM

06498CR00 - 65498CR00 - 66498CR00
CR

PARTE INCASSO BUILT-IN PART **PARTE ESTERNA DA ABBINARE EXTERNAL MATCHING PART**

FINITURE / FINISHES

09772
CALDA / hot

06498CREU
65498CREU
66498CREU
CR

09772
FREDDA / cold

06498OREU
65498OREU
66498OREU
OR

06498AMEU
65498AMEU
66498AMEU
AM/OP/CN/NI

06498XXEU
65498XXEU
66498XXEU *
XX

* XX: Per tutte le altre finiture fattibili riferirsi a questa fascia di prezzo. / Refer to this line of price for all other realizable finishes.

Non disponibile in BM - TT - BU - ON - FA - IM - NM - OM - HM - CM / Not available BM - TT - BU - ON - FA - IM - NM - OM - HM - CM

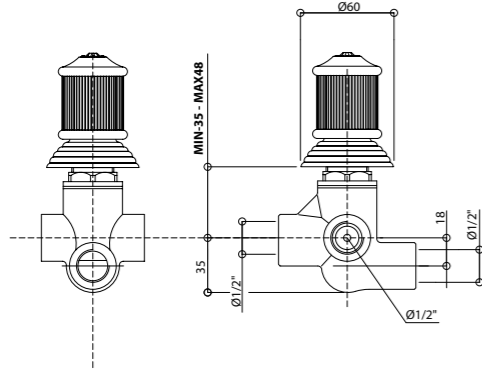
PROLUNGA / MIXER EXTENSION

0008300CS

ROYALE 80 / IMPERO
FLEUR BLANC&NOIR
CRISTALLO / RIVOLI
RADIANT
AXEL
OXFORD LUX / MILLE NUITS
CAPRI
LA TOSCA
TURANDOT
CLASSIC

06525-65525-66525

Deviatore 2 uscite (2 entrate 2 uscite). 2 exit built-in diverter (2 in - 2 out).



RICAMBI / SPARE PARTS

00112DM

ARTICOLO COMPLETO / COMPLETE ITEM

06525CR00 - 65525CR00 - 66525CR00
CR

PARTE INCASSO BUILT-IN PART **PARTE ESTERNA DA ABBINARE** EXTERNAL MATCHING PART

FINITURE / FINISHES

09496

06525CREU
65525CREU
66525CREU
CR

06525OREU
65525OREU
66525OREU
OR

06525AMEU
65525AMEU
66525AMEU
AM/OP/CN/NI

06525XXEU
65525XXEU
66525XXEU *
XX

* XX: Per tutte le altre finiture fattibili riferirsi a questa fascia di prezzo. / Refer to this line of price for all other realizable finishes.

Non disponibile in BM - TT - BU - ON - FA - IM - NM - OM - HM - CM / Not available BM - TT - BU - ON - FA - IM - NM - OM - HM - CM

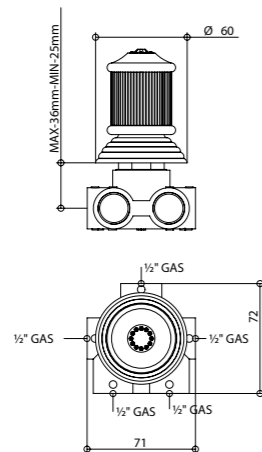
PROLUNGA / MIXER EXTENSION



0008300CS

06525/5-65525/5-66525/5

Deviatore 3 uscite (2 entrate 3 uscite). 3 exit built-in diverter (2 in - 3 out).



FINITURE E COLORI / FINISHES AND COLOURS



ARTICOLO COMPLETO / COMPLETE ITEM

06525CR05 - 65525CR05 - 66525CR05
CR

PARTE INCASSO BUILT-IN PART **PARTE ESTERNA DA ABBINARE** EXTERNAL MATCHING PART

FINITURE / FINISHES

09495

06525CR05EU
65525CR05EU
66525CR05EU
CR

06525OR05EU
65525OR05EU
66525OR05EU
OR

06525AM05EU
65525AM05EU
66525AM05EU
AM/OP/CN/NI

06525XX05EU
65525XX05EU
66525XX05EU *
XX

* XX: Per tutte le altre finiture fattibili riferirsi a questa fascia di prezzo. / Refer to this line of price for all other realizable finishes.

Non disponibile in BM - TT - BU - ON - FA - IM - NM - OM - HM - CM / Not available BM - TT - BU - ON - FA - IM - NM - OM - HM - CM

PROLUNGA / MIXER EXTENSION



0008300CS

RICAMBI / SPARE PARTS

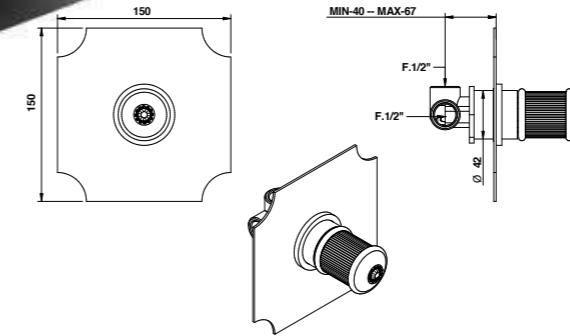


00113DM

ACCESSORI COORDINATI / CO-ORDINATED ACCESSORIES PAG. 864

06524-65524-66524

Miscelatore incasso con cartuccia progressiva. Built-in mixer with progressive cartridge.



RICAMBI / SPARE PARTS



9822

ARTICOLO COMPLETO / COMPLETE ITEM

06524CR00 - 65524CR00 - 66524CR00
CR

PARTE INCASSO BUILT-IN PART **PARTE ESTERNA DA ABBINARE** EXTERNAL MATCHING PART

FINITURE / FINISHES

09862/PG

06524CREU
65524CREU
66524CREU
CR

06524OREU
65524OREU
66524OREU
OR

06524AMEU
65524AMEU
66524AMEU
AM/OP/CN/NI

06524XXEU
65524XXEU
66524XXEU *
XX

* XX: Per tutte le altre finiture fattibili riferirsi a questa fascia di prezzo. / Refer to this line of price for all other realizable finishes.

Non disponibile in BM - TT - BU - ON - FA - IM - NM - OM - HM - CM / Not available BM - TT - BU - ON - FA - IM - NM - OM - HM - CM

PROLUNGA / MIXER EXTENSION

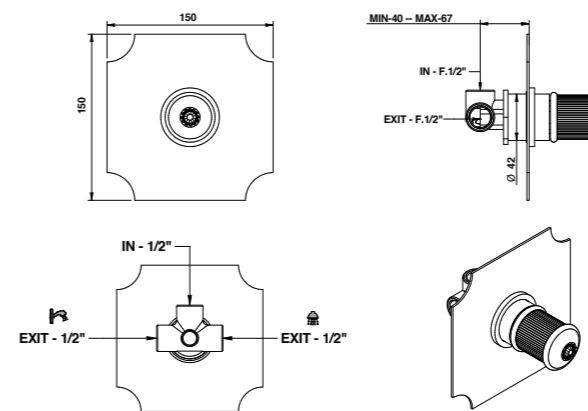


00100CRPRR

OPTIONAL: Scatola incasso per cartongesso / Built-in box for drywall and cavity wall **09702PBOX**

06556-65556-66556

Deviatore 2 uscite (1 entrata - 2 uscite). 2 exit diverter (1 in - 2 out).



ACCESSORI E RICAMBI / ACCESSORIES AND SPARE PARTS



PROLUNGA
MIXER EXTENSION



CARTUCCIA E VITONE
CARTRIDGE AND MECHANISM



AERATORE
AERATOR



FLESSIBILE
FLEXIBLE



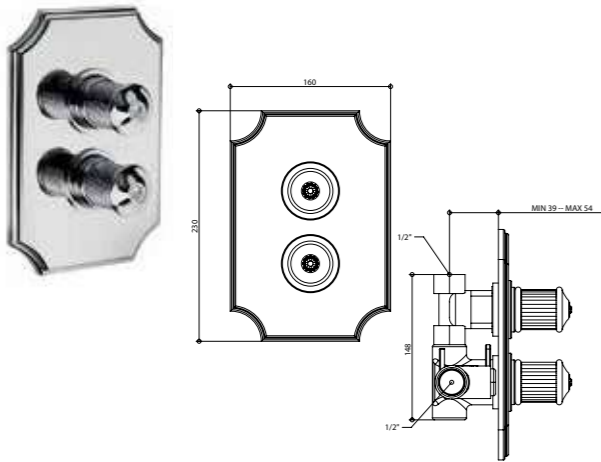
DOCCETTA
HANDSHOWER



DEVIATORE
DIVERTER

06544-65544-66544

Miscelatore termostatico doccia incasso 1/2". 1/2" built-in thermostatic mixer.



PROLUNGA / MIXER EXTENSION

00105CRCAPR

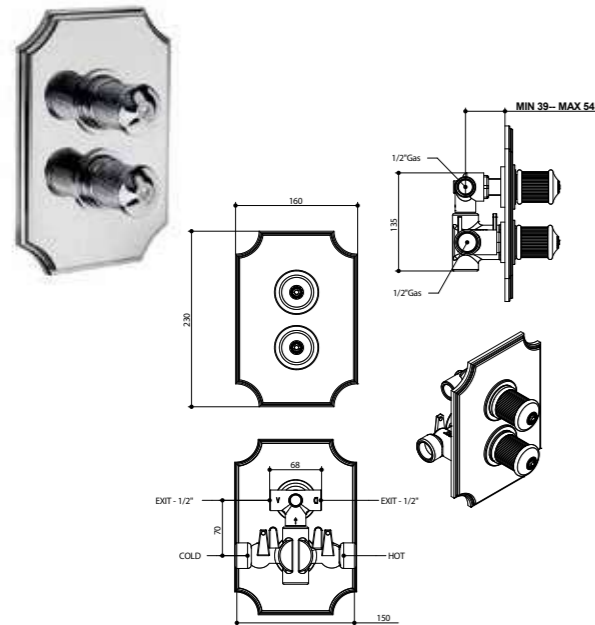
RICAMBI / SPARE PARTS

8900TM * 9788 ◻

*Cartuccia miscelatrice / Mixer cartridge
◻Cartuccia di apertura-chiusura / Open-close cartridge

06549-65549-66549

Miscelatore termostatico incasso 1/2" con deviatore a 2 uscite. 1/2" built-in thermostatic mixer with 2 way diverter.



RICAMBI / SPARE PARTS

8900TM * 9788/02 ◻

*Cartuccia miscelatrice / Mixer cartridge
◻Cartuccia di apertura-chiusura e deviazione / Diverter and open-close cartridge and diverter

FINITURE E COLORI / FINISHES AND COLOURS



ARTICOLO COMPLETO / COMPLETE ITEM

06544CR00 - 65544CR00 - 66544CR00 CR

PARTE INCASSO BUILT-IN PART **PARTE ESTERNA DA ABBINARE EXTERNAL MATCHING PART**

09787

FINITURE / FINISHES

06544CREU
65544CREU
66544CREU
CR

06544OREU
65544OREU
66544OREU
OR

06544AMEU
65544AMEU
66544AMEU
AM/OP/CN/NI

06544XXEU
65544XXEU
66544XXEU *
XX

* XX: Per tutte le altre finiture fattibili riferirsi a questa fascia di prezzo. / Refer to this line of price for all other realizable finishes.

Portata a pressione dinamica 3 bar - 32 l/min - 38° Mix / Flow rates at dynamic pressure 3 bar - 32 l/min - 38° Mix

Non disponibile in BM - TT - BU - ON - FA - IM - NM - OM - HM - CM / Not available BM - TT - BU - ON - FA - IM - NM - OM - HM - CM

ARTICOLO COMPLETO / COMPLETE ITEM

06549CR00 - 65549CR00 - 66549CR00 CR

PARTE INCASSO BUILT-IN PART **PARTE ESTERNA DA ABBINARE EXTERNAL MATCHING PART**

09728

FINITURE / FINISHES

06549CREU
65549CREU
66549CREU
CR

06549OREU
65549OREU
66549OREU
OR

06549AMEU
65549AMEU
66549AMEU
AM/OP/CN/NI

06549XXEU
65549XXEU
66549XXEU *
XX

* XX: Per tutte le altre finiture fattibili riferirsi a questa fascia di prezzo. / Refer to this line of price for all other realizable finishes.

Portata a pressione dinamica 3 bar - 23 l/min - 38° Mix - 3 bar - 15 l/min - 38° Mix / Flow rates at dynamic pressure 3 bar - 23 l/min - 38° Mix - 3 bar - 15 l/min - 38° Mix

Non disponibile in BM - TT - BU - ON - FA - IM - NM - OM - HM - CM / Not available BM - TT - BU - ON - FA - IM - NM - OM - HM - CM

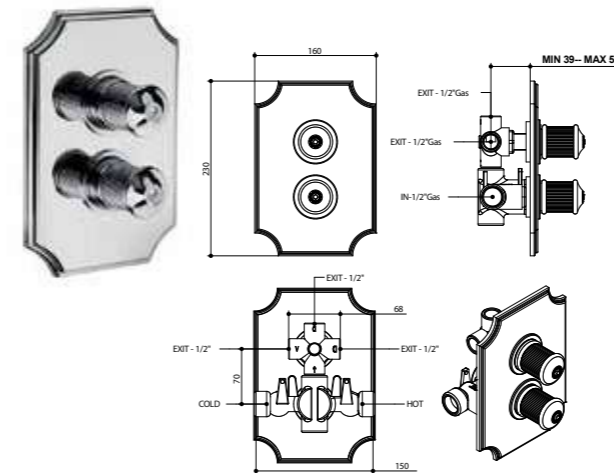
PROLUNGA / MIXER EXTENSION

00105CRCA49PR

ACCESSORI COORDINATI / CO-ORDINATED ACCESSORIES PAG. 864

06549/3-65549/3-66549/3

Miscelatore termostatico incasso 1/2" con deviatore a 3 uscite. 1/2" built-in thermostatic mixer with 3 way diverter.



PROLUNGA / MIXER EXTENSION

00105CRCA49PR

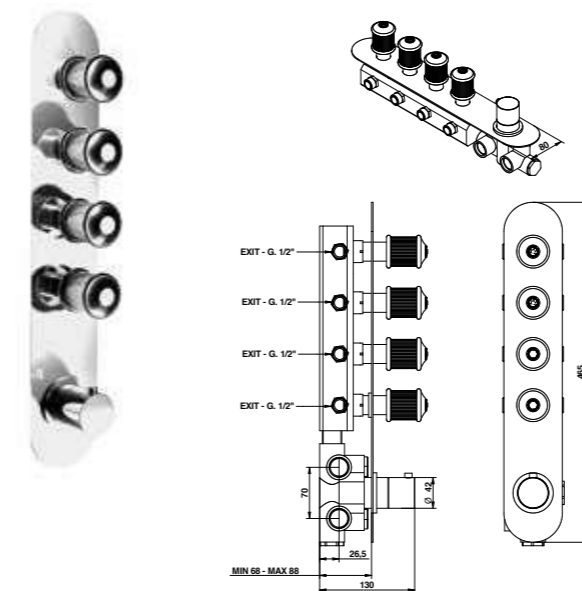
RICAMBI / SPARE PARTS

8900TM * 9788/03 ◻

*Cartuccia miscelatrice / Mixer cartridge
◻Cartuccia di apertura-chiusura e deviazione / Diverter and open-close cartridge

06542/4-65542/4-66542/4

Miscelatore termostatico incasso con 4 rubinetti di apertura/chiusura su piastra unica (4 uscite). Built-in thermostatic mixer with 4 open/close taps on single plate (4 exits).



RICAMBI / SPARE PARTS

09845 * 9794 ◻

*Cartuccia miscelatrice / Mixer cartridge
◻Cartuccia di apertura-chiusura / Open-close cartridge

ACCESSORI E RICAMBI / ACCESSORIES AND SPARE PARTS



ARTICOLO COMPLETO / COMPLETE ITEM

06549CR03 - 65549CR03 - 66549CR03 CR

PARTE INCASSO BUILT-IN PART **PARTE ESTERNA DA ABBINARE EXTERNAL MATCHING PART**

09728/03

FINITURE / FINISHES

06549CR03EU
65549CR03EU
66549CR03EU
CR

06549OR03EU
65549OR03EU
66549OR03EU
OR

06549AM03EU
65549AM03EU
66549AM03EU
AM/OP/CN/NI

06549XX03EU
65549XX03EU
66549XX03EU *
XX

* XX: Per tutte le altre finiture fattibili riferirsi a questa fascia di prezzo. / Refer to this line of price for all other realizable finishes.

Portata a pressione dinamica 3 bar - 23 l/min - 38° Mix - 3 bar - 15 l/min - 38° Mix / Flow rates at dynamic pressure 3 bar - 23 l/min - 38° Mix - 3 bar - 15 l/min - 38° Mix

Non disponibile in BM - TT - BU - ON - FA - IM - NM - OM - HM - CM / Not available BM - TT - BU - ON - FA - IM - NM - OM - HM - CM

ARTICOLO COMPLETO / COMPLETE ITEM

06542CR04 - 65542CR04 - 66542CR04 CR

PARTE INCASSO BUILT-IN PART **PARTE ESTERNA DA ABBINARE EXTERNAL MATCHING PART**

09730/04

FINITURE / FINISHES

06542CR04EU
65542CR04EU
66542CR04EU
CR

06542OR04EU
65542OR04EU
66542OR04EU
OR

06542AM04EU
65542AM04EU
66542AM04EU
AM/OP/CN/NI

06542XX04EU
65542XX04EU
66542XX04EU *
XX

* XX: Per tutte le altre finiture fattibili riferirsi a questa fascia di prezzo. / Refer to this line of price for all other realizable finishes.

Portata a pressione dinamica 3 bar - 23 l/min / Flow rates at dynamic pressure 3 bar - 23 l/min

Non disponibile in BM - TT - BU - ON - FA - IM - NM - OM - HM - CM / Not available BM - TT - BU - ON - FA - IM - NM - OM - HM - CM

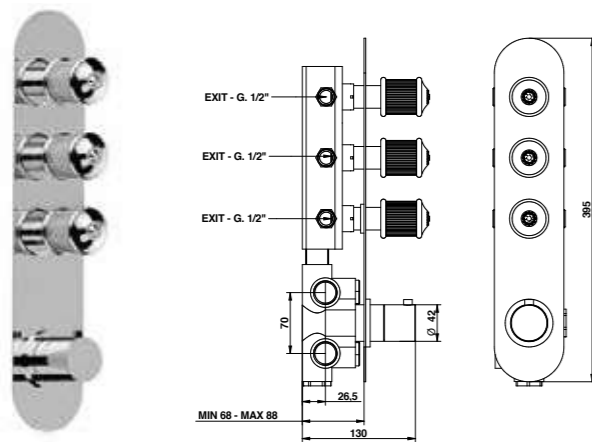
PROLUNGA / MIXER EXTENSION

00112CRPR04

06542/3-65542/3-66542/3 NEW

Miscelatore termostatico incasso con 3 rubinetti di apertura/chiusura su piastra unica (3 uscite).

Built-in thermostatic mixer with 3 open/close taps on single plate (3 exits).



PROLUNGA / MIXER EXTENSION

00112CRPR03

RICAMBI / SPARE PARTS

09845 *

9794 □

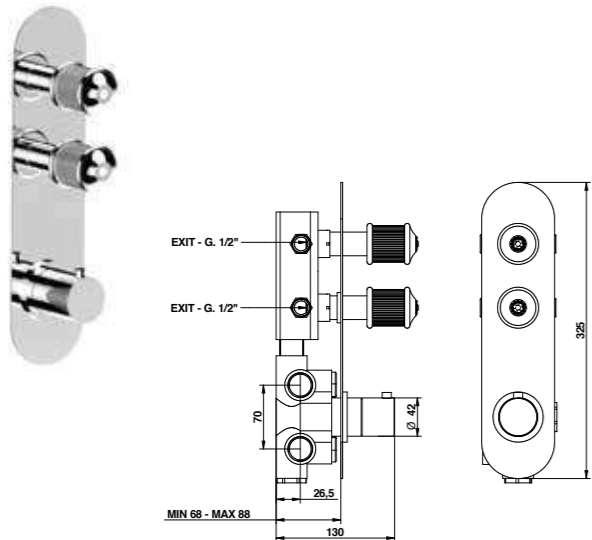
*Cartuccia miscelatrice / Mixer cartridge

□Cartuccia di apertura-chiusura / Open-close cartridge

06542/2-65542/2-66542/2 NEW

Miscelatore termostatico incasso con 2 rubinetti di apertura/chiusura su piastra unica (2 uscite).

Built-in thermostatic mixer with 2 open/close taps on single plate (2 exits).



RICAMBI / SPARE PARTS

09845 *

9794 □

*Cartuccia miscelatrice / Mixer cartridge

□Cartuccia di apertura-chiusura / Open-close cartridge

FINITURE E COLORI / FINISHES AND COLOURS



ARTICOLO COMPLETO / COMPLETE ITEM

06542CR03 - 65542CR03 - 66542CR03
CR

PARTE INCASSO
BUILT-IN PART

PARTE ESTERNA DA ABBINARE
EXTERNAL MATCHING PART

09730/3

FINITURE / FINISHES

06542CR03EU
65542CR03EU
66542CR03EU
CR

06542OR03EU
65542OR03EU
66542OR03EU
OR

06542AM03EU
65542AM03EU
66542AM03EU
AM/OP/CN/NI

06542XX03EU
65542XX03EU
66542XX03EU *
XX

* XX: Per tutte le altre finiture fattibili riferirsi a questa fascia di prezzo. / Refer to this line of price for all other realizable finishes.

Portata a pressione dinamica 3 bar - 23 l/min / Flow rates at dynamic pressure 3 bar - 23 l/min

Non disponibile in BM - TT - BU - ON - FA - IM - NM - OM - HM - CM / Not available BM - TT - BU - ON - FA - IM - NM - OM - HM - CM

ARTICOLO COMPLETO / COMPLETE ITEM

06542CR02 - 65542CR02 - 66542CR02
CR

PARTE INCASSO
BUILT-IN PART

PARTE ESTERNA DA ABBINARE
EXTERNAL MATCHING PART

09730/2

FINITURE / FINISHES

06542CR02EU
65542CR02EU
66542CR02EU
CR

06542OR02EU
65542OR02EU
66542OR02EU
OR

06542AM02EU
65542AM02EU
66542AM02EU
AM/OP/CN/NI

06542XX02EU
65542XX02EU
66542XX02EU *
XX

* XX: Per tutte le altre finiture fattibili riferirsi a questa fascia di prezzo. / Refer to this line of price for all other realizable finishes.

Portata a pressione dinamica 3 bar - 23 l/min / Flow rates at dynamic pressure 3 bar - 23 l/min

Non disponibile in BM - TT - BU - ON - FA - IM - NM - OM - HM - CM / Not available BM - TT - BU - ON - FA - IM - NM - OM - HM - CM

PROLUNGA / MIXER EXTENSION

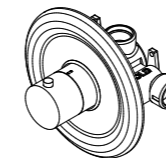
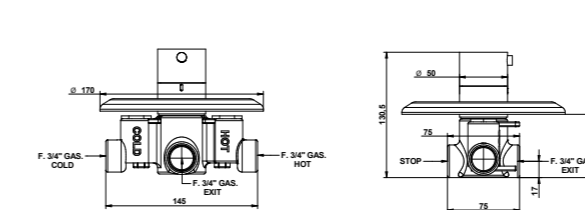
00112CRPR02

ACCESSORI COORDINATI / CO-ORDINATED ACCESSORIES PAG. 864

15554

Termostatico incasso da 3/4" senza chiusura.

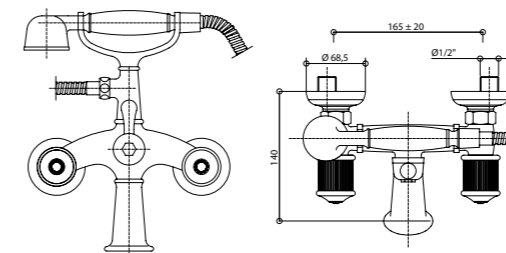
3/4" built-in thermostatic shower mixer without lock.



06526-65526-66526

Gruppo vasca esterno con set doccia. External bath and shower mixer with shower set.

Dettaglio flessibili / Flexible details pag. 42



ACCESSORI E RICAMBI / ACCESSORIES AND SPARE PARTS

PROLUNGA
MIXER EXTENSION

CARTUCCIA E VITONE
CARTRIDGE AND MECHANISM

AERATORE
AERATOR

FLESSIBILE
FLEXIBLE

DOCCETTA
HANDSHOWER

DEVIATORE
DIVERTER

ARTICOLO COMPLETO / COMPLETE ITEM

15554CR00
CR

PARTE INCASSO
BUILT-IN PART

PARTE ESTERNA DA ABBINARE
EXTERNAL MATCHING PART

09700

FINITURE / FINISHES

15554CREU
CR

15554NSEU
NS/NE/PL/ON/
BU/BI/RB

15554OREU
OR/CO/CN

15554OPEU
OP/CM/IM/NM/
HM/OM/BM

15554XXEU *
XX

* XX: Per tutte le altre finiture fattibili riferirsi a questa fascia di prezzo. / Refer to this line of price for all other realizable finishes.

ABBINABILE A / TO MATCH WITH:
Rubinetto incasso / Built-in tap - ...500 - ...498

RICAMBI / SPARE PARTS

9837

ARTICOLO COMPLETO / COMPLETE ITEM

06526CR00 - 65526CR00 - 66526CR00
CR

06526OR00 - 65526OR00 - 66526OR00
OR

06526AM00 - 65526AM00 - 66526AM00
AM/OP/CN/NI

06526XX00 - 65526XX00 - 66526XX00 *
XX

* XX: Per tutte le altre finiture fattibili riferirsi a questa fascia di prezzo. / Refer to this line of price for all other realizable finishes.

Non disponibile in BM - TT - BU - ON - FA - IM - NM - OM - HM - CM / Not available BM - TT - BU - ON - FA - IM - NM - OM - HM - CM

RICAMBI / SPARE PARTS

9792 *

9792 □

9600CR

00851CR00

00117/DV

00851XX00 □

9600XX00 *

* Calda / Hot

□ Fredda / Cold

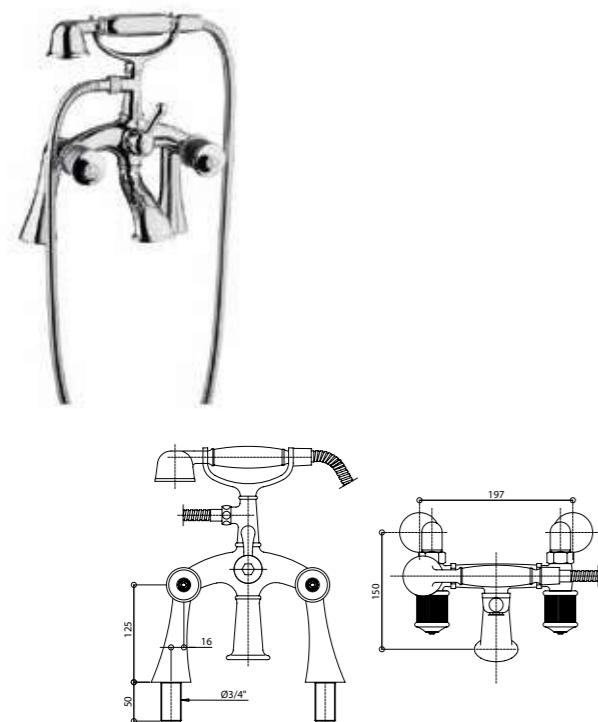
□ Ricambio per finiture diverse dal cromo. / Spare part for different finishes.

□ Nelle finiture verniciate e satinare i flessibili verranno forniti con calotta in delrin nero. / For painted and matt finishes, the flexible hoses will be supplied with black delrin conical connection.

06527-65527-66527

Gruppo vasca esterno su colonnette con set doccia. External bath and shower mixer on pillar connection with shower set.

Dettaglio flessibili / Flexible details pag. 42



ARTICOLO COMPLETO / COMPLETE ITEM

06527CR00 - 65527CR00 - 66527CR00
CR

06527OR00 - 65527OR00 - 66527OR00
OR

06527AM00 - 65527AM00 - 66527AM00
AM/OP/CN/NI

06527XX00 - 65527XX00 - 66527XX00 *
XX

* XX: Per tutte le altre finiture fattibili riferirsi a questa fascia di prezzo. / Refer to this line of price for all other realizable finishes.

Non disponibile in BM - TT - BU - ON - FA - IM - NM - OM - HM - CM / Not available BM - TT - BU - ON - FA - IM - NM - OM - HM - CM

RICAMBI / SPARE PARTS

9792 *	9792 □
9600CR	00851CR00
00117/DV	00851XX00 □
9600XX00 △	

* Calda / Hot

□ Fredda / Cold

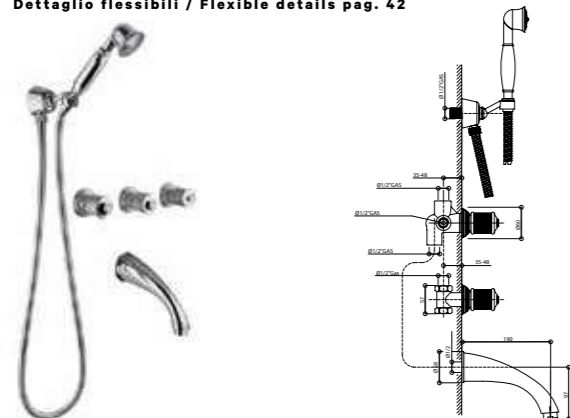
□ Ricambio per finiture diverse dal cromo. / Spare part for different finishes.

* Nelle finiture verniciate e satinare i flessibili verranno forniti con calotta in delrin nero. / For painted and matt finishes, the flexible hoses will be supplied with black delrin conical connection.

06530/D-65530/D-66530/D

Gruppo vasca incasso con set doccia duplex. Built-in bath and shower mixer with duplex shower set.

Dettaglio flessibili / Flexible details pag. 42



RICAMBI / SPARE PARTS

9792 *	9792 □
09997CR	9600CR
00851CR00	00112DM
00851XX00 □	9600XX00 △

* Calda / Hot

□ Fredda / Cold

□ Ricambio per finiture diverse dal cromo. / Spare part for different finishes.

* Nelle finiture verniciate e satinare i flessibili verranno forniti con calotta in delrin nero. / For painted and matt finishes, the flexible hoses will be supplied with black delrin conical connection.

FINITURE E COLORI / FINISHES AND COLOURS



ARTICOLO COMPLETO / COMPLETE ITEM

06530CR0D - 65530CR0D - 66530CR0D
CR

PARTE INCASSO BUILT-IN PART PARTE ESTERNA DA ABBINARE EXTERNAL MATCHING PART

FINITURE / FINISHES

09680

06530CR0DEU
65530CR0DEU
66530CR0DEU
CR

06530OR0DEU
65530OR0DEU
66530OR0DEU
OR

06530AM0DEU
65530AM0DEU
66530AM0DEU
AM/OP/CN/NI

06530XX0DEU
65530XX0DEU
66530XX0DEU *
XX

* XX: Per tutte le altre finiture fattibili riferirsi a questa fascia di prezzo. / Refer to this line of price for all other realizable finishes.

Non disponibile in BM - TT - BU - ON - FA - IM - NM - OM - HM - CM / Not available BM - TT - BU - ON - FA - IM - NM - OM - HM - CM

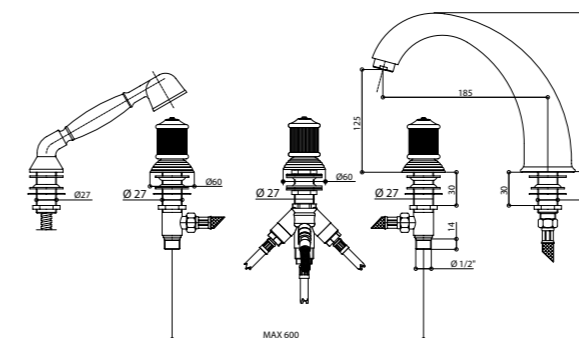
PROLUNGA / MIXER EXTENSION

0008300CS
3 pz. per articolo Cad. / Each
/ 3 pcs needed

ACCESSORI COORDINATI / CO-ORDINATED ACCESSORIES PAG. 864

06531/D-65531/D-66531/D

Gruppo bordo vasca cinque fori con set doccia. Five holes deck bath and shower mixer with shower set.



ARTICOLO COMPLETO / COMPLETE ITEM

06531CR0D - 65531CR0D - 66531CR0D
CR

06531OR0D - 65531OR0D - 66531OR0D
OR

06531AM0D - 65531AM0D - 66531AM0D
AM/OP/CN/NI

06531XX0D - 65531XX0D - 66531XX0D *
XX

* XX: Per tutte le altre finiture fattibili riferirsi a questa fascia di prezzo. / Refer to this line of price for all other realizable finishes.

Non disponibile in BM - TT - BU - ON - FA - IM - NM - OM - HM - CM / Not available BM - TT - BU - ON - FA - IM - NM - OM - HM - CM

RICAMBI / SPARE PARTS

9792 *	9792 □
09997CR	09607CR
00851CRBV	00112VI
00851XXBV □	

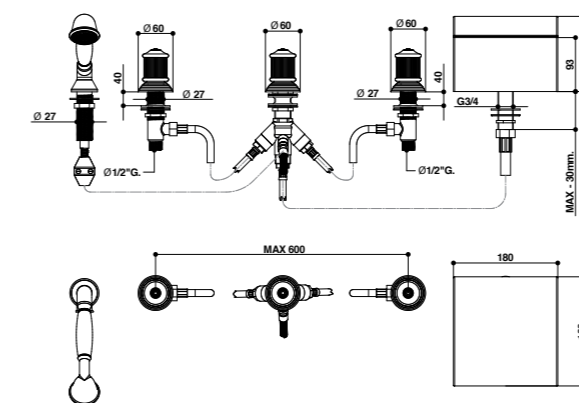
* Calda / Hot

□ Fredda / Cold

□ Ricambio per finiture diverse dal cromo. / Spare part for different finishes.

06535/D-65535/D-66535/D

Gruppo bordo vasca cinque fori, bocca a cascata e set doccia. Five holes deck bath and shower mixer with waterfall spout and shower set.



ARTICOLO COMPLETO / COMPLETE ITEM

06535CR0D - 65535CR0D - 66535CR0D
CR

06535OR0D - 65535OR0D - 66535OR0D
OR

06535OP0D - 65535OP0D - 66535OP0D
OP/CN/NI

06535XX0D - 65535XX0D - 66535XX0D *
XX

* XX: Per tutte le altre finiture fattibili riferirsi a questa fascia di prezzo. / Refer to this line of price for all other realizable finishes.

Non disponibile in BM - TT - BU - ON - FA - IM - NM - OM - HM - CM - AM / Not available BM - TT - BU - ON - FA - IM - NM - OM - HM - CM - AM

RICAMBI / SPARE PARTS

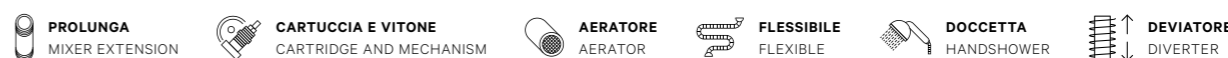
9792 *	9792 □
09607CR	00851CRBV
00112VI	00851XXBV □

* Calda / Hot

□ Fredda / Cold

□ Ricambio per finiture diverse dal cromo. / Spare part for different finishes.

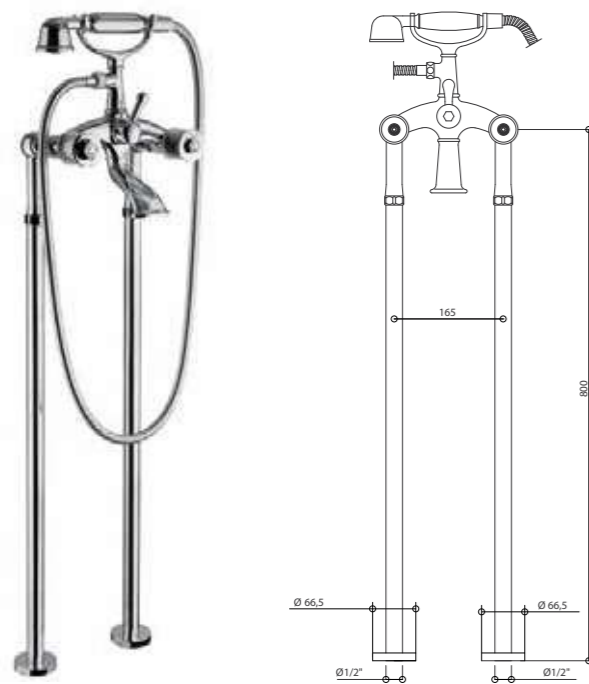
ACCESSORI E RICAMBI / ACCESSORIES AND SPARE PARTS



06528-65528-66528

Gruppo vasca esterno su colonnette da terra con set doccia. / Floor mounted bath and shower mixer with shower set.

Dettaglio flessibili / Flexible details pag. 42



ARTICOLO COMPLETO / COMPLETE ITEM

06528CR00 - 65528CR00 - 66528CR00
CR

06528OR00 - 65528OR00 - 66528OR00
OR

06528AM00 - 65528AM00 - 66528AM00
AM/OP/CN/NI

06528XX00 - 65528XX00 - 66528XX00 *
XX

* XX: Per tutte le altre finiture fattibili riferirsi a questa fascia di prezzo. / Refer to this line of price for all other realizable finishes.

Non disponibile in BM - TT - BU - ON - FA - IM - NM - OM - HM - CM / Not available BM - TT - BU - ON - FA - IM - NM - OM - HM - CM

RICAMBI / SPARE PARTS

	9792 *		9792 □
	9600CR		00851CR00
	00117/DV		00851XX00 □
	9600XX00 ▲		

* Calda / Hot

□ Fredda / Cold

▲ Ricambio per finiture diverse dal cromo. / Spare part for different finishes.

■ Nelle finiture verniciate e satinare i flessibili verranno forniti con calotta in delrin nero. / For painted and matt finishes, the flexible hoses will be supplied with black delrin conical connection.

06523-65523-66523

Gruppo doccia esterno. / External shower mixer.



ARTICOLO COMPLETO / COMPLETE ITEM

06523CR00 - 65523CR00 - 66523CR00
CR

06523OR00 - 65523OR00 - 66523OR00
OR

06523AM00 - 65523AM00 - 66523AM00
AM/OP/CN/NI

06523XX00 - 65523XX00 - 66523XX00 *
XX

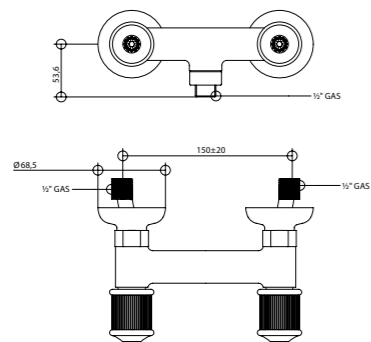
* XX: Per tutte le altre finiture fattibili riferirsi a questa fascia di prezzo. / Refer to this line of price for all other realizable finishes.

Non disponibile in BM - TT - BU - ON - FA - IM - NM - OM - HM - CM / Not available BM - TT - BU - ON - FA - IM - NM - OM - HM - CM

ABBINABILE A / TO MATCH WITH:

Asta saliscendi / Sliding rail - 871

Set doccia / Set duplex - 831



RICAMBI / SPARE PARTS

	9792 *		9792 □
--	--------	--	--------

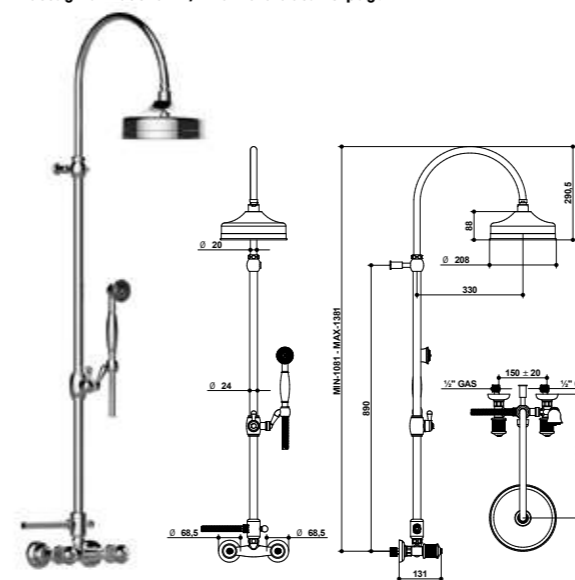
* Calda / Hot

□ Fredda / Cold

06537/D-65537/D-66537/D

Gruppo doccia esterno con tubo, soffione e set doccia duplex. / External shower mixer with tube, shower head and duplex shower set.

Dettaglio flessibili / Flexible details pag. 42



* Calda / Hot

□ Fredda / Cold

■ Ricambio per finiture diverse dal cromo. / Spare part for different finishes.

■ Nelle finiture verniciate e satinare i flessibili verranno forniti con calotta in delrin nero. / For painted and matt finishes, the flexible hoses will be supplied with black delrin conical connection.

ARTICOLO COMPLETO / COMPLETE ITEM

06537CR0D - 65537CR0D - 66537CR0D
CR

06537OR0D - 65537OR0D - 66537OR0D
OR

06537AM0D - 65537AM0D - 66537AM0D *
AM/OP/CN/NI

06537XX0D - 65537XX0D - 66537XX0D □
XX

* Nelle varianti colore verniciate e satinare alcuni particolari saranno in finitura galvanica per garantire gli standard qualitativi. / To assure our quality standard on colored and satin product, some details remain in galvanic finishes.

□ XX: Per tutte le altre finiture fattibili riferirsi a questa fascia di prezzo. / Refer to this line of price for all other realizable finishes.

Non disponibile in BM - TT - BU - ON - FA - IM - NM - OM - HM - CM / Not available BM - TT - BU - ON - FA - IM - NM - OM - HM - CM

Nelle varianti colore verniciate e satinare alcuni particolari saranno in finitura galvanica per garantire gli standard qualitativi. / To assure our

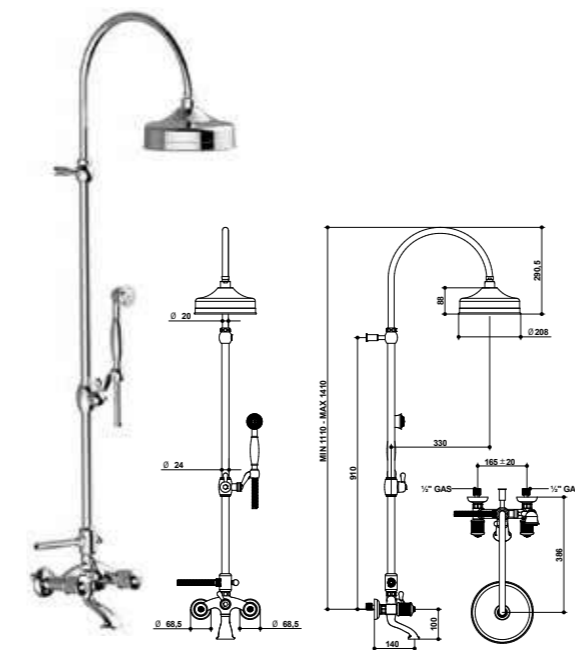
RICAMBI / SPARE PARTS

	9792 *		9792 □
	10860CR00		9600CR
	00851CR00		121CRCL
	00851XX00 □		9600XX00 ▲
	10860XX00 □		

06536/D-65536/D-66536/D

Gruppo vasca doccia esterno con tubo, soffione e set doccia duplex. / External bath shower mixer with tube, shower head and duplex shower set.

Dettaglio flessibili / Flexible details pag. 42



ARTICOLO COMPLETO / COMPLETE ITEM

06536CR0D - 65536CR0D - 66536CR0D
CR

06536OR0D - 65536OR0D - 66536OR0D
OR

06536AM0D - 65536AM0D - 66536AM0D *
AM/OP/CN/NI

06536XX0D - 65536XX0D - 66536XX0D □
XX

* Nelle varianti colore verniciate e satinare alcuni particolari saranno in finitura galvanica per garantire gli standard qualitativi. / To assure our quality standard on colored and satin product, some details remain in galvanic finishes.

□ XX: Per tutte le altre finiture fattibili riferirsi a questa fascia di prezzo. / Refer to this line of price for all other realizable finishes.

Non disponibile in BM - TT - BU - ON - FA - IM - NM - OM - HM - CM / Not available BM - TT - BU - ON - FA - IM - NM - OM - HM - CM

Nelle varianti colore verniciate e satinare alcuni particolari saranno in finitura galvanica per garantire gli standard qualitativi. / To assure our

RICAMBI / SPARE PARTS

	9792 *		9792 □
	10860CR00		9600CR
	00851CR00		121CRCL
	00117/DV		00851XX00 □
	9600XX00 ▲		10860XX00 □

* Calda / Hot

□ Fredda / Cold

▲ Ricambio per finiture diverse dal cromo. / Spare part for different finishes.

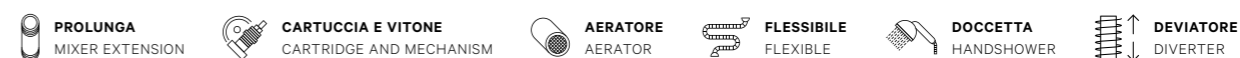
■ Nelle finiture verniciate e satinare i flessibili verranno forniti con calotta in delrin nero. / For painted and matt finishes, the flexible hoses will be supplied with black delrin conical connection.

FINITURE E COLORI / FINISHES AND COLOURS



ACCESSORI COORDINATI / CO-ORDINATED ACCESSORIES PAG. 864

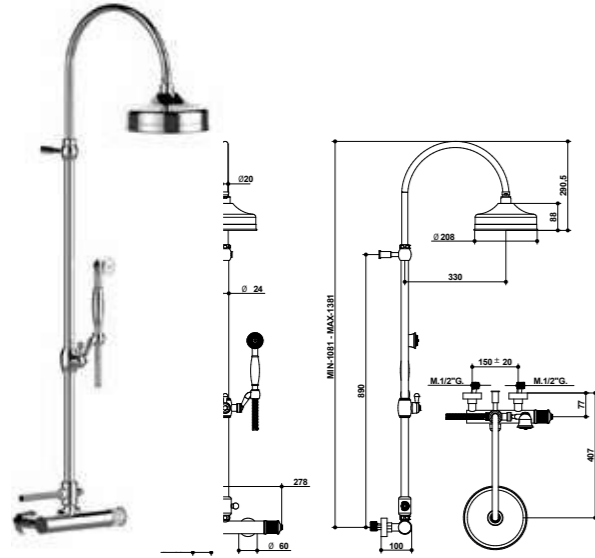
ACCESSORI E RICAMBI / ACCESSORIES AND SPARE PARTS



06555/D-65555/D-66555/D

Miscelatore doccia esterno con tubo, soffione e set doccia duplex. External shower mixer with tube, shower head and duplex shower set.

Dettaglio flessibili / Flexible details pag. 42



ARTICOLO COMPLETO / COMPLETE ITEM

06555CR0D - 65555CR0D - 66555CR0D
CR

06555OR0D - 65555OR0D - 66555OR0D
OR

06555AM0D - 65555AM0D - 66555AM0D *
AM/OP/CN/NI

06555XX0D - 65555XX0D - 66555XX0D □
XX

* Nelle varianti colore verniciate e satinare alcuni particolari saranno in finitura galvanica per garantire gli standard qualitativi. / To assure our quality standard on colored and satin product, some details remain in galvanic finishes.

□ XX: Per tutte le altre finiture fattibili riferirsi a questa fascia di prezzo. / Refer to this line of price for all other realizable finishes.

Non disponibile in BM - TT - BU - ON - FA - IM - NM - OM - HM - CM / Not available BM - TT - BU - ON - FA - IM - NM - OM - HM - CM

RICAMBI / SPARE PARTS

	9813		10860CR00
	00121CRCL		9600CR
	9600XX00 *		00851CR00
	00851XX00 □		10860XX00 □

* Nelle finiture verniciate e satinare i flessibili verranno forniti con calotta in delrin nero. / For painted and matt finishes, the flexible hoses will be supplied with black delrin conical connection.

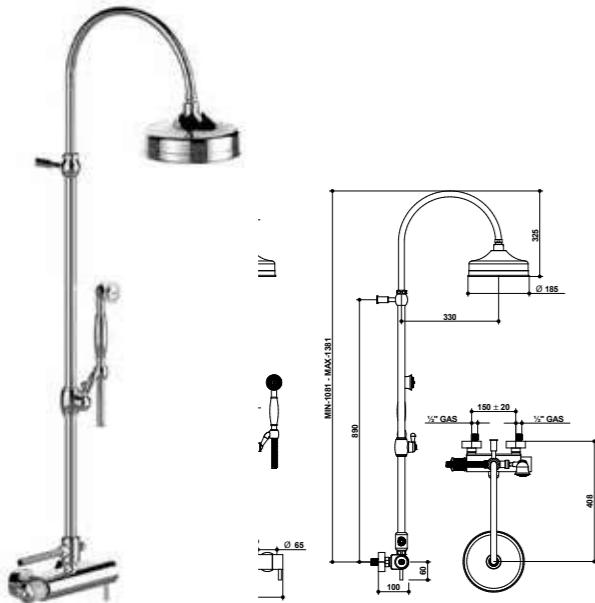
□ Ricambio per finiture diverse dal cromo. / Spare part for different finishes.

□ Per le finiture verniciate e satinare il flessibile verrà fornito in PVC nero. / The flexible hose will be supplied in black PVC for painted and matt finishes.

06547/D-65547/D-66547/D

Gruppo doccia esterno termostatico con tubo, soffione e set doccia duplex. External shower thermostatic with tube, shower head and duplex shower set.

Dettaglio flessibili / Flexible details pag. 42



ARTICOLO COMPLETO / COMPLETE ITEM

06547CR0D - 65547CR0D - 66547CR0D
CR

06547OR0D - 65547OR0D - 66547OR0D
OR

06547AM0D - 65547AM0D - 66547AM0D *
AM/OP/CN/NI

06547XX0D - 65547XX0D - 66547XX0D □
XX

* Nelle varianti colore verniciate e satinare alcuni particolari saranno in finitura galvanica per garantire gli standard qualitativi. / To assure our quality standard on colored and satin product, some details remain in galvanic finishes.

□ XX: Per tutte le altre finiture fattibili riferirsi a questa fascia di prezzo. / Refer to this line of price for all other realizable finishes.

Non disponibile in BM - TT - BU - ON - FA - IM - NM - OM - HM - CM / Not available BM - TT - BU - ON - FA - IM - NM - OM - HM - CM

RICAMBI / SPARE PARTS

	8900ES *		9792 □
	10860CR00		00121CRCL
	9600CR		9600XX00 □
	00851CR00		00851XX00 □
	10860XX00 □		

* Cartuccia miscelatrice / Mixer cartridge

□ Cartuccia di apertura-chiusura / Open-close cartridge

□ Nelle finiture verniciate e satinare i flessibili verranno forniti con calotta in delrin nero. / For painted and matt finishes, the flexible hoses will be supplied with black delrin conical connection.

□ Ricambio per finiture diverse dal cromo. / Spare part for different finishes.

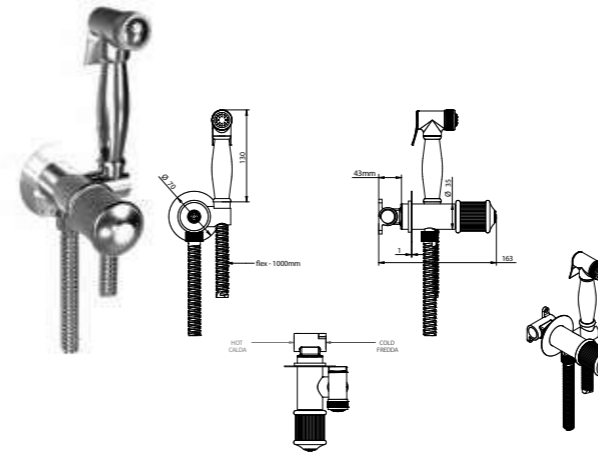
FINITURE E COLORI / FINISHES AND COLOURS



ACCESSORI COORDINATI / CO-ORDINATED ACCESSORIES PAG. 864

06916-66916 NEW

Set doccia bidet per wc ad incasso con miscelatore progressivo integrato e doccetta. Shattaff shower set for wc with integrated progressive mixer and hand shower.



RICAMBI / SPARE PARTS

	9820		09610CR
	00902CRDO		9605XXPV *
	00902XXD0 □		

* Nelle finiture verniciate e satinare i flessibili verranno forniti con calotta in delrin nero. / For painted and matt finishes, the flexible hoses will be supplied with black delrin conical connection.

□ Ricambio per finiture diverse dal cromo. / Spare part for different finishes.

ARTICOLO COMPLETO / COMPLETE ITEM

06916CR00 - 66916CR00
CR

PARTE INCASSO
BUILT-IN PART

PARTE ESTERNA DA ABBINARE
EXTERNAL MATCHING PART

09490/CP

FINITURE / FINISHES

06916CREU
66916CREU
CR

06916OREU
66916OREU
OR

06916AMEU
66916AMEU *
AM/OP/CN/NI

06916XXEU
66916XXEU □
XX

* Nelle varianti colore verniciate e satinare alcuni particolari saranno in finitura galvanica per garantire gli standard qualitativi. / To assure our quality standard on colored and satin product, some details remain in galvanic finishes.

□ XX: Per tutte le altre finiture fattibili riferirsi a questa fascia di prezzo. / Refer to this line of price for all other realizable finishes.

Non disponibile in BM - TT - BU - ON - FA - IM - NM - OM - HM - CM / Not available BM - TT - BU - ON - FA - IM - NM - OM - HM - CM

PROLUNGA / MIXER EXTENSION

00916CRPR



Art. 24538CRRB

ACCESSORI E RICAMBI / ACCESSORIES AND SPARE PARTS



FLEUR

DESIGN CENTER DIRECTED BY
ANTONIO BONGIO

#PRECIUOSDETAILS



ECLECTIC
MOOD

1

1. Art. 12501OR00

LUSO ESCLUSIVO

Exclusive luxury

Le linee floreali dorate a 24 carati e gli inserti in porcellana bianca e nera rendono FLEUR la soluzione perfetta non solo per le più esclusive applicazioni del lusso internazionale, ma anche per ambienti bagno di diversa ispirazione, cui si voglia conferire una connotazione di inconfondibile prestigio.

The 24-carat gold floral lines and black-and-white porcelain inserts make FLEUR the perfect solution not only for the most exclusive international luxury applications, but also for bathrooms with a different source of inspiration, where the aim is to give the living space a touch of unmistakable prestige.



#GOLD&BLACKALLURE





#LUYLIFE



DOCCIA / SHOWER
 Art. 008880R55
 Art. 125420R04
 Art. 008310R00
 Art. 008670RNR

LAVABO / WASHBASIN
 Art. 125010R00

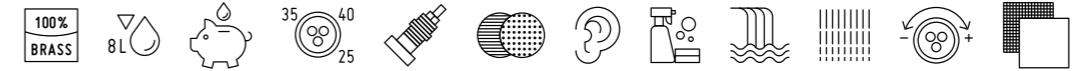
ACCESSORI / ACCESSORIES
 Art. 110120R00
 Art. 110180R00
 Art. 110070R50
 Art. 110010R00
 Art. 040420R00



VASCA / BATHTUB
Art. 12535OROD

INFORMAZIONI TECNICHE

Technical details



VITONI: Le serie Fleur Blanc e Noir sono dotate di vitoni a dischi ceramici 1/4 giro e di cartuccia progressiva Ø 35 mm. La temperatura d'impianto non deve superare i 70°C. La pressione di esercizio dell'impianto consigliata è di 3 bar.

EROGAZIONE: Le serie Fleur Blanc e Noir hanno un tipo di erogazione morbida. I lavabi e i bidet sono forniti con limitatore di portata da 6l/m, permettendo un notevole risparmio d'acqua.

INSTALLAZIONE: Tutti gli articoli ad incasso Bongio completi sono forniti di relative parti incasso.

Gli articoli doccia e vasca esterni hanno un interasse di 15±20 mm.

Per gli articoli lavabo e bidet, monoforo e tre fori, da installarsi su piano, devono essere realizzati fori Ø 35 mm massimo.

MECHANISM: Fleur Blanc and Noir series have 1/4' turn ceramic disc mechanism and Ø 35 mms. progressive cartridge.

The temperature of the plant should not exceed 70 degrees. The suggested working pressure of the plant has to be 3 bar.

SUPPLY: Fleur Blanc and Noir series have a soft supply. Basin and bidet mixers have a standard limitation of flow to 6l/m which reduces the water waste.

INSTALLATION: All the built-in Bongio items are available with universal raw built-in body.

All the external shower and bath mixers have the 15±20 mms interaxe.

For the basin and bidet mixers - single or three holes - to be place on top deck, they require Ø 35 mms maximum holes.

MANIGLIE / HANDLES



11... Porcellana Bianca + Decori Cromo o Oro / White Porcelain + Chrome or Golden Decors

12... Porcellana Nera + Decori Cromo o Oro / Black Porcelain + Chrome or Golden Decors

Maniglie 11... e 12... in abbinamento alle seguenti finiture:
Handles 11 ... and 12 ... combined with the following finishes:
NS - PL - NI - OP

FINITURE E COLORI / FINISHES AND COLOURS

DETTAGLI / MORE INFO PAG. 38



CR
Cromo
Chrome



NI
Nichel Lucido
Light Nickel



NS
Nichel Spazzolato
Brushed Nickel



PL
Platinum
Platinum



OR
Oro 24kt
24kt Gold

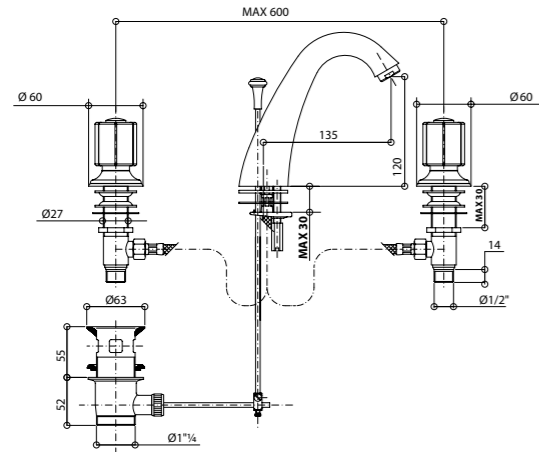


OP
Oro Spazzolato 24kt
24kt Brushed Gold

11501 BLANC-12501 NOIR

Gruppo lavabo tre fori completo di scarico 1.1/4".

Three holes basin mixer with 1.1/4" pop-up waste.



ARTICOLO COMPLETO / COMPLETE ITEM

11501CR00 - 12501CR00
CR

11501OR00 - 12501OR00 *
OR/NS/PL/NI

11501OP00 - 12501OP00 *
OP

* Disponibile solo con maniglia: bianco-cromo, nero-cromo, bianco-oro, nero-oro. / Available only with handle: white-chrome, black-chrome, white-gold, black-gold.

Non disponibile in altre finiture. / Not available in other finishes.

ABBINABILE A / TO MATCH WITH:
Sifone / Siphon - 00065CR00

RICAMBI / SPARE PARTS

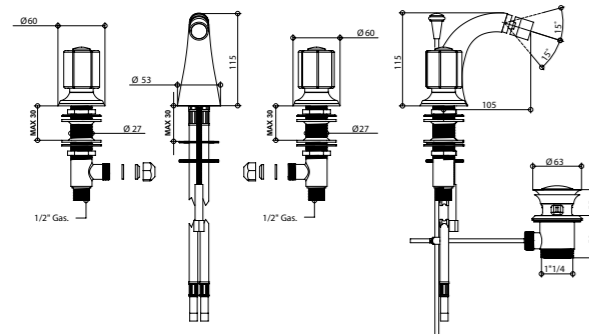
	9792 *		9792 □
	9998CR		

* Calda / Hot
□ Fredda / Cold

11503 BLANC-12503 NOIR

Gruppo bidet tre fori completo di scarico 1.1/4".

Three holes bidet mixer with 1.1/4" pop-up waste.



ARTICOLO COMPLETO / COMPLETE ITEM

11503CR00 - 12503CR00
CR

11503OR00 - 12503OR00 *
OR/NS/PL/NI

11503OP00 - 12503OP00 *
OP

* Disponibile solo con maniglia: bianco-cromo, nero-cromo, bianco-oro, nero-oro. / Available only with handle: white-chrome, black-chrome, white-gold, black-gold.

Non disponibile in altre finiture. / Not available in other finishes.

ABBINABILE A / TO MATCH WITH:
Sifone / Siphon - 00066CR00

RICAMBI / SPARE PARTS

	9792 *		9792 □
	9979CR		

* Calda / Hot
□ Fredda / Cold

FINITURE E COLORI / FINISHES AND COLOURS

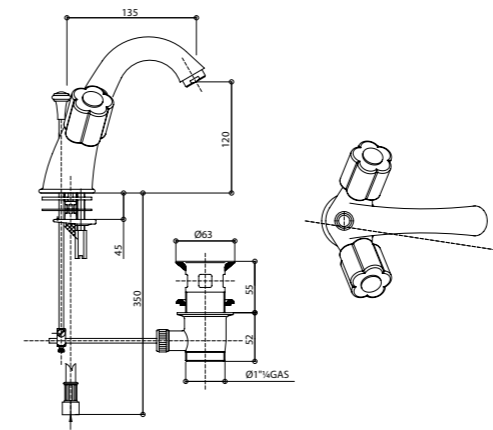


ACCESSORI COORDINATI / CO-ORDINATED ACCESSORIES PAG. 872

11521 BLANC-12521 NOIR

Monoforo lavabo completo di scarico 1.1/4".

Single hole basin mixer with 1.1/4" pop-up waste.



ARTICOLO COMPLETO / COMPLETE ITEM

11521CR00 - 12521CR00
CR

11521OR00 - 12521OR00 *
OR/NS/PL/NI

11521OP00 - 12521OP00 *
OP

* Disponibile solo con maniglia: bianco-cromo, nero-cromo, bianco-oro, nero-oro. / Available only with handle: white-chrome, black-chrome, white-gold, black-gold.

Non disponibile in altre finiture. / Not available in other finishes.

ABBINABILE A / TO MATCH WITH:
Sifone / Siphon - 00065CR00

PROLUNGA / MIXER EXTENSION

	945CR15
--	---------

RICAMBI / SPARE PARTS

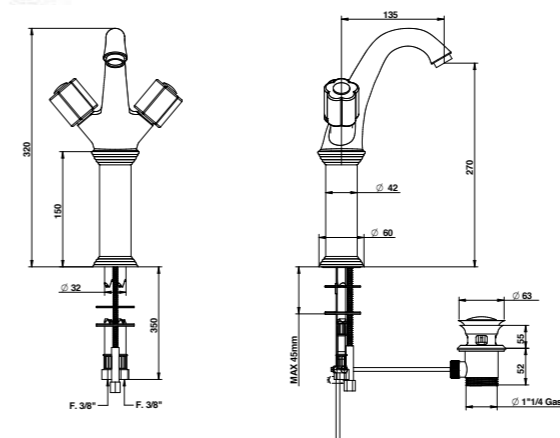
	9792 *		9791 □
	9998CR		

* Calda / Hot
□ Fredda / Cold

11532 BLANC-12532 NOIR

Monoforo lavabo con prolunga 150 mm., completo di scarico 1.1/4".

Single hole basin mixer with 150 mms. extension and 1.1/4" popup waste.



ARTICOLO COMPLETO / COMPLETE ITEM

11532CR00 - 12532CR00
CR

11532OR00 - 12532OR00 *
OR/NS/PL/NI

11532OP00 - 12532OP00 *
OP

* Disponibile solo con maniglia: bianco-cromo, nero-cromo, bianco-oro, nero-oro. / Available only with handle: white-chrome, black-chrome, white-gold, black-gold.

Non disponibile in altre finiture. / Not available in other finishes.

ABBINABILE A / TO MATCH WITH:
Sifone / Siphon - 00065CR00

PROLUNGA / MIXER EXTENSION

	945CR15
--	---------

RICAMBI / SPARE PARTS

	9792 *		9791 □
	9998CR		

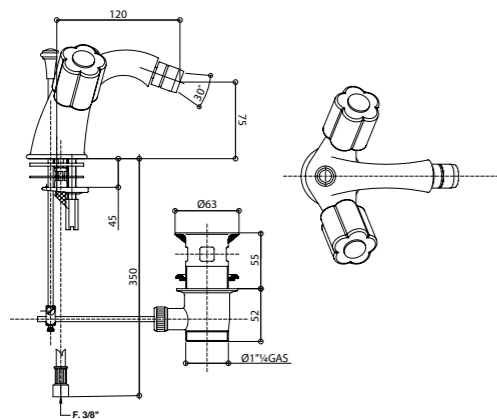
* Calda / Hot
□ Fredda / Cold

ACCESSORI E RICAMBI / ACCESSORIES AND SPARE PARTS



11522 BLANC-12522 NOIR

Monoforo bidet completo di scarico 1.1/4". Single hole bidet mixer with 1.1/4" pop-up waste.



ARTICOLO COMPLETO / COMPLETE ITEM

11522CR00 - 12522CR00
CR

11522OR00 - 12522OR00 *
OR/NS/PL/NI

11522OP00 - 12522OP00 *
OP

* Disponibile solo con maniglia: bianco-cromo, nero-cromo, bianco-oro, nero-oro. / Available only with handle: white-chrome, black-chrome, white-gold, black-gold.

Non disponibile in altre finiture. / Not available in other finishes.

ABBINABILE A / TO MATCH WITH:
Sifone / Siphon - **00066CR00**

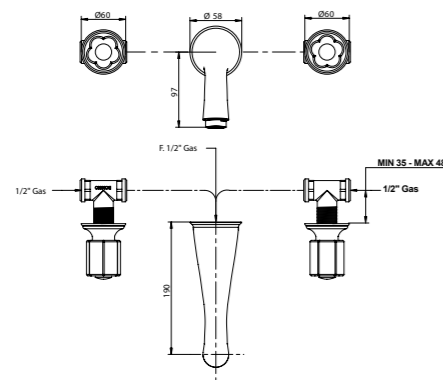
RICAMBI / SPARE PARTS

	9792 *		9791 □
	9978CR		

* Calda / Hot
□ Fredda / Cold

11538 BLANC-12538 NOIR

Gruppo lavabo incasso a parete, bocca 190 mm. Wall basin mixer with mms. 190 spout, bocca 190 mm.



ARTICOLO COMPLETO / COMPLETE ITEM

11538CR00 - 12538CR00
CR

PARTE INCASSO / BUILT-IN PART **PARTE ESTERNA DA ABBINARE / EXTERNAL MATCHING PART**

09767

FINITURE / FINISHES

11538CREU
12538CREU
CR

11538OREU
12538OREU *
OR/NS/PL/NI

11538OPEU
12538OPEU *
OP

* Disponibile solo con maniglia: bianco-cromo, nero-cromo, bianco-oro, nero-oro. / Available only with handle: white-chrome, black-chrome, white-gold, black-gold.

Disponibile con bocca 1004CR23. / Available with spout 1004CR23.

Non disponibile in altre finiture. / Not available in other finishes.

ABBINABILE A / TO MATCH WITH:
Sifone / Siphon - **00065CR00**
Piletta clic-clac / Clic-clac waste - **00079CR00**

PROLUNGA / MIXER EXTENSION

	0008300CS 2 pz. per articolo / 2 pcs needed Cad. / Each
--	--

RICAMBI / SPARE PARTS

	9792 *		9792 □
	9998CR		

* Calda / Hot
□ Freddo / Cold

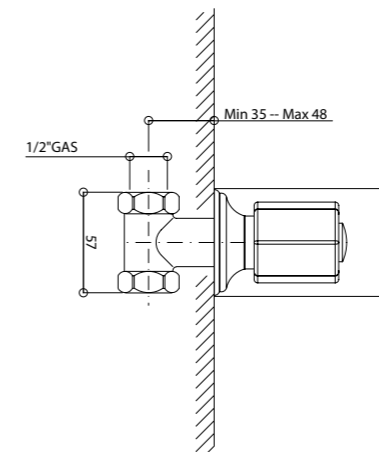
FINITURE E COLORI / FINISHES AND COLOURS



ACCESSORI COORDINATI / CO-ORDINATED ACCESSORIES PAG. 872

11500 BLANC-12500 NOIR

Rubinetto incasso 1/2". 1/2" built-in tap.



ARTICOLO COMPLETO / COMPLETE ITEM

11500CR00 - 12500CR00
CR

PARTE INCASSO / BUILT-IN PART **PARTE ESTERNA DA ABBINARE / EXTERNAL MATCHING PART**

09777
CALDA / hot

09777
FREDDA / cold

FINITURE / FINISHES

11500CREU
12500CREU
CR

11500OREU
12500OREU *
OR/NS/PL/NI

11500OPEU
12500OPEU *
OP

* Disponibile solo con maniglia: bianco-cromo, nero-cromo, bianco-oro, nero-oro. / Available only with handle: white-chrome, black-chrome, white-gold, black-gold.

Non disponibile in altre finiture. / Not available in other finishes.

PROLUNGA / MIXER EXTENSION

	0008300CS
--	------------------

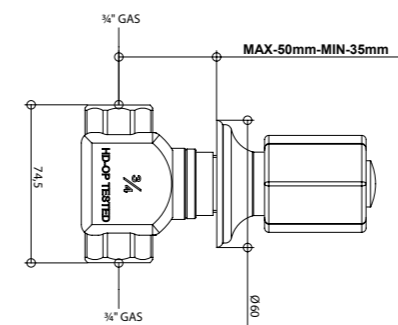
RICAMBI / SPARE PARTS

	9792 *		9792 □
--	---------------	--	---------------

* Calda / Hot
□ Fredda / Cold

11498 BLANC-12498 NOIR

Rubinetto incasso da 3/4" vitone tradizionale. 3/4" built-in tap traditional mechanism.f



ARTICOLO COMPLETO / COMPLETE ITEM

11498CR00 - 12498CR00
CR

PARTE INCASSO / BUILT-IN PART **PARTE ESTERNA DA ABBINARE / EXTERNAL MATCHING PART**

09772
CALDA / hot

09772
FREDDA / cold

FINITURE / FINISHES

11498CREU
12498CREU
CR

11498OREU
12498OREU *
OR/NS/PL/NI

11498OPEU
12498OPEU *
OP

* Disponibile solo con maniglia: bianco-cromo, nero-cromo, bianco-oro, nero-oro. / Available only with handle: white-chrome, black-chrome, white-gold, black-gold.

Non disponibile in altre finiture. / Not available in other finishes.

PROLUNGA / MIXER EXTENSION

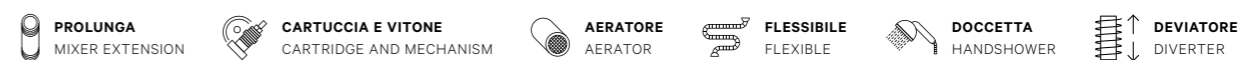
	0008300CS
--	------------------

RICAMBI / SPARE PARTS

	9804 *		9804 □
--	---------------	--	---------------

* Calda / Hot
□ Fredda / Cold

ACCESSORI E RICAMBI / ACCESSORIES AND SPARE PARTS

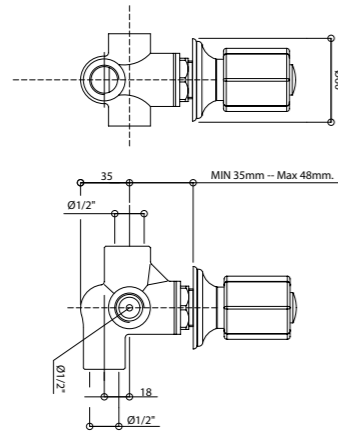


ROYALE 80 / IMPERO
FLEUR BLANC&NOIR
CRISTALLO / RIVOLI
RADIANT
AXEL
OXFORD LUX / MILLE NUITS
CAPRI
LA TOSCA
TURANDOT
CLASSIC

11525 BLANC-12525 NOIR

Deviatore 2 uscite (2 entrate 2 uscite).

2 exit built-in diverter (2 in - 2 out).



ARTICOLO COMPLETO / COMPLETE ITEM

11525CR00 - 12525CR00
CR

PARTE INCASSO
BUILT-IN PART

PARTE ESTERNA DA ABBINARE
EXTERNAL MATCHING PART

FINITURE / FINISHES

09496

11525CREU
12525CREU
CR

11525OREU
12525OREU *
OR/NS/PL/NI

11525OPEU
12525OPEU *
OP

* Disponibile solo con maniglia: bianco-cromo, nero-cromo, bianco-oro, nero-oro. / Available only with handle: white-chrome, black-chrome, white-gold, black-gold.

Non disponibile in altre finiture. / Not available in other finishes.

PROLUNGA / MIXER EXTENSION



0008300CS

RICAMBI / SPARE PARTS

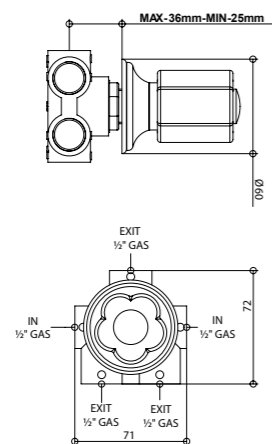


00112DM

11525/5 BLANC-12525/5 NOIR

Deviatore 3 uscite (2 entrate 3 uscite).

3 exit built-in diverter (2 in - 3 out).



ARTICOLO COMPLETO / COMPLETE ITEM

11525CR05 - 12525CR05
CR

PARTE INCASSO
BUILT-IN PART

PARTE ESTERNA DA ABBINARE
EXTERNAL MATCHING PART

FINITURE / FINISHES

09495

11525CR05EU
12525CR05EU
CR

11525OR05EU
12525OR05EU *
OR/PL/NI

11525OP05EU
12525OP05EU *
OP

* Disponibile solo con maniglia: bianco-cromo, nero-cromo, bianco-oro, nero-oro. / Available only with handle: white-chrome, black-chrome, white-gold, black-gold.

Non disponibile in altre finiture. / Not available in other finishes.

PROLUNGA / MIXER EXTENSION



0008300CS

RICAMBI / SPARE PARTS

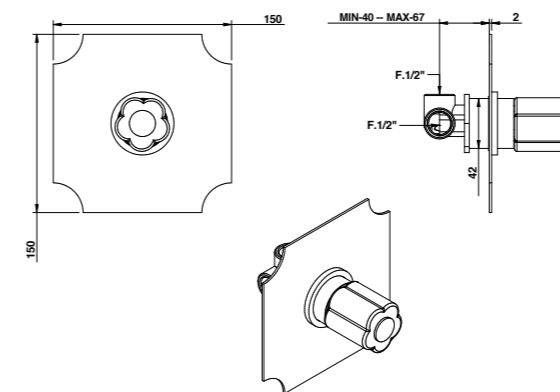


00113DM

11524 BLANC-12524 NOIR

Miscelatore incasso con cartuccia progressiva.

Built-in mixer with progressive cartridge.



ARTICOLO COMPLETO / COMPLETE ITEM

11524CR00 - 12524CR00
CR

PARTE INCASSO
BUILT-IN PART

PARTE ESTERNA DA ABBINARE
EXTERNAL MATCHING PART

FINITURE / FINISHES

09862/PG

11524CREU
12524CREU
CR

11524OREU
12524OREU *
OR/NS/PL/NI

11524OPEU
12524OPEU *
OP

* Disponibile solo con maniglia: bianco-cromo, nero-cromo, bianco-oro, nero-oro. / Available only with handle: white-chrome, black-chrome, white-gold, black-gold.

Non disponibile in altre finiture. / Not available in other finishes.

PROLUNGA / MIXER EXTENSION



00100CRPRR

OPTIONAL: Scatola incasso per cartongesso / Built-in box for drywall and cavity wall 09702PBOX

RICAMBI / SPARE PARTS

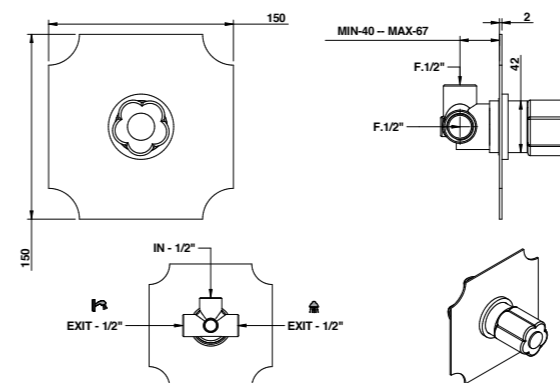


9822

11556 BLANC-12556 NOIR

Deviatore 2 uscite (1 entrata - 2 uscite).

2 exit diverter (1 in - 2 out).



ARTICOLO COMPLETO / COMPLETE ITEM

11556CR00 - 12556CR00
CR

PARTE INCASSO
BUILT-IN PART

PARTE ESTERNA DA ABBINARE
EXTERNAL MATCHING PART

FINITURE / FINISHES

9491/2

11556CREU
12556CREU
CR

11556OREU
12556OREU *
OR/NS/PL/NI

11556OPEU
12556OPEU *
OP

* Disponibile solo con maniglia: bianco-cromo, nero-cromo, bianco-oro, nero-oro. / Available only with handle: white-chrome, black-chrome, white-gold, black-gold.

Non disponibile in altre finiture. / Not available in other finishes.

PROLUNGA / MIXER EXTENSION



00109CRPR

RICAMBI / SPARE PARTS



9808/2

FINITURE E COLORI / FINISHES AND COLOURS



ACCESSORI COORDINATI / CO-ORDINATED ACCESSORIES PAG. 872

ACCESSORI E RICAMBI / ACCESSORIES AND SPARE PARTS



PROLUNGA
MIXER EXTENSION



CARTUCCIA E VITONE
CARTRIDGE AND MECHANISM



AERATORE
AERATOR



FLESSIBILE
FLEXIBLE



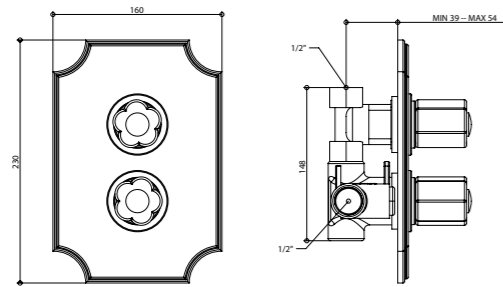
DOCCETTA
HANDSHOWER



DEVIATORE
DIVERTER

11544 BLANC-12544 NOIR

Miscelatore termostatico incasso 1/2". 1/2" built-in thermostatic mixer.



RICAMBI / SPARE PARTS

	8900TM *		9788 ◻
--	----------	--	--------

* Cartuccia miscelatrice / Mixer cartridge
◻ Cartuccia di apertura-chiusura / Open-close cartridge

ARTICOLO COMPLETO / COMPLETE ITEM

11544CR00 - 12544CR00
CR

PARTE INCASSO BUILT-IN PART	PARTE ESTERNA DA ABBINARE EXTERNAL MATCHING PART
--------------------------------	---

FINITURE / FINISHES

09787

11544CREU
12544CREU
CR

11544OREU
12544OREU *
OR/NS/PL/NI

11544OPEU
12544OPEU *
OP

* Disponibile solo con maniglia: bianco-cromo, nero-cromo, bianco-oro, nero-oro. / Available only with handle: white-chrome, black-chrome, white-gold, black-gold.

Portata a pressione dinamica 3 bar - 32 l/min - 38° Mix / Flow rates at dynamic pressure 3 bar - 32 l/min - 38° Mix

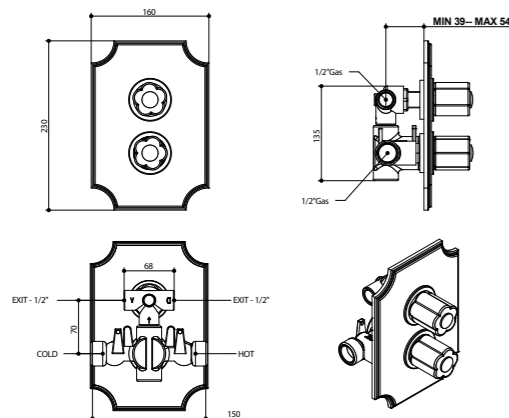
Non disponibile in altre finiture. / Not available in other finishes.

PROLUNGA / MIXER EXTENSION

	00105CRCAPR
--	-------------

11549 BLANC-12549 NOIR

Miscelatore termostatico incasso 1/2" con deviatore a 2 uscite. 1/2" built-in thermostatic mixer with 2 way diverter.



FINITURE E COLORI / FINISHES AND COLOURS



ARTICOLO COMPLETO / COMPLETE ITEM

11549CR00 - 12549CR00
CR

PARTE INCASSO BUILT-IN PART	PARTE ESTERNA DA ABBINARE EXTERNAL MATCHING PART
--------------------------------	---

FINITURE / FINISHES

09728

11549CREU
12549CREU
CR

11549OREU
12549OREU *
OR/NS/PL/NI

11549OPEU
12549OPEU *
OP

* Disponibile solo con maniglia: bianco-cromo, nero-cromo, bianco-oro, nero-oro. / Available only with handle: white-chrome, black-chrome, white-gold, black-gold.

Portata a pressione dinamica 3 bar - 23 l/min - 38° Mix - 3 bar - 15 l/min - 38° Mix / Flow rates at dynamic pressure 3 bar - 23 l/min - 38° Mix - 3 bar - 15 l/min - 38° Mix

Non disponibile in altre finiture. / Not available in other finishes.

PROLUNGA / MIXER EXTENSION

	00105CRCA49PR
--	---------------

RICAMBI / SPARE PARTS

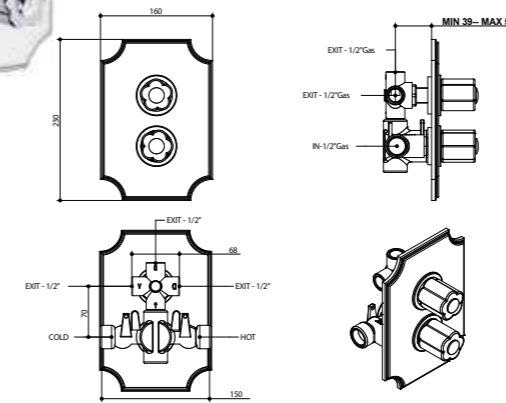
	8900TM *		9788/02 ◻
--	----------	--	-----------

* Cartuccia miscelatrice / Mixer cartridge
◻ Cartuccia di apertura-chiusura e deviazione / Open-close cartridge and diverter

ACCESSORI COORDINATI / CO-ORDINATED ACCESSORIES PAG. 872

11549/3 BLANC-12549/3 NOIR

Miscelatore termostatico incasso 1/2" con deviatore a 3 uscite. 1/2" built-in thermostatic mixer with 3 way diverter.



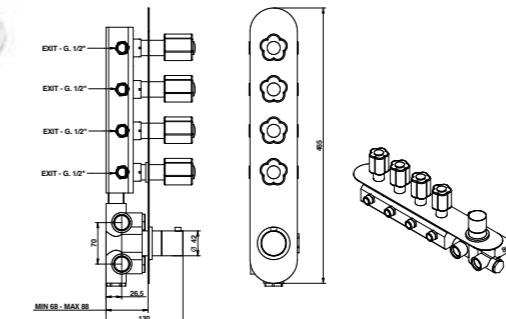
RICAMBI / SPARE PARTS

	8900TM *		9788/03 ◻
--	----------	--	-----------

* Cartuccia miscelatrice / Mixer cartridge
◻ Cartuccia di apertura-chiusura e deviazione / Open-close cartridge and diverter

11542/4 BLANC-12542/4 NOIR

Miscelatore termostatico incasso con 4 rubinetti di apertura/chiusura su piastra unica (4 uscite). Built-in thermostatic mixer with 4 open/close taps on single plate (4 exits).



ACCESSORI E RICAMBI / ACCESSORIES AND SPARE PARTS



ARTICOLO COMPLETO / COMPLETE ITEM

11549CR03 - 12549CR03
CR

PARTE INCASSO BUILT-IN PART	PARTE ESTERNA DA ABBINARE EXTERNAL MATCHING PART
--------------------------------	---

FINITURE / FINISHES

09728/03

11549CR03EU
12549CR03EU
CR

11549OR03EU
12549OR03EU *
OR/NS/PL/NI

11549OP03EU
12549OP03EU *
OP

* Disponibile solo con maniglia: bianco-cromo, nero-cromo, bianco-oro, nero-oro. / Available only with handle: white-chrome, black-chrome, white-gold, black-gold.

Portata a pressione dinamica 3 bar - 23 l/min - 38° Mix - 3 bar - 15 l/min - 38° Mix / Flow rates at dynamic pressure 3 bar - 23 l/min - 38° Mix - 3 bar - 15 l/min - 38° Mix

Non disponibile in altre finiture. / Not available in other finishes.

PROLUNGA / MIXER EXTENSION

	00105CRCA49PR
--	---------------

ARTICOLO COMPLETO / COMPLETE ITEM

11542CR04 - 12542CR04
CR

PARTE INCASSO BUILT-IN PART	PARTE ESTERNA DA ABBINARE EXTERNAL MATCHING PART
--------------------------------	---

FINITURE / FINISHES

09730/04

11542CR04EU
12542CR04EU
CR

11542OR04EU
12542OR04EU *
OR/NS/PL/NI

11542OP04EU
12542OP04EU *
OP

* Disponibile solo con maniglia: bianco-cromo, nero-cromo, bianco-oro, nero-oro. / Available only with handle: white-chrome, black-chrome, white-gold, black-gold.

Portata a pressione dinamica 3 bar - 23 l/min / Flow rates at dynamic pressure 3 bar - 23 l/min

Non disponibile in altre finiture. / Not available in other finishes.

PROLUNGA / MIXER EXTENSION

	00112CRPR04
--	-------------

RICAMBI / SPARE PARTS

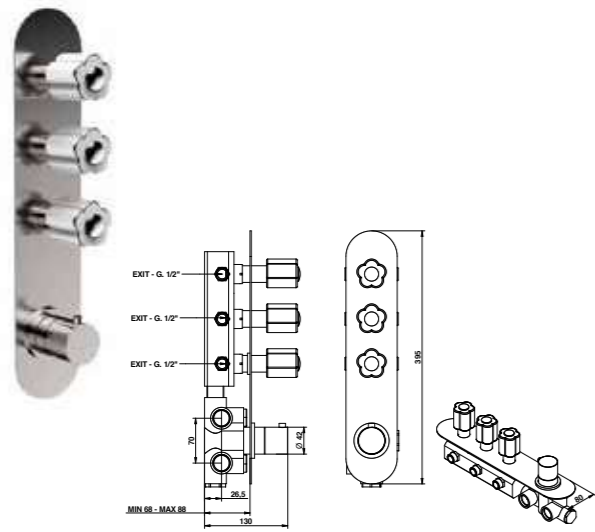
	09845 *		9794 ◻
--	---------	--	--------

* Cartuccia miscelatrice / Mixer cartridge
◻ Cartuccia di apertura-chiusura / Open-close cartridge

11542/3 BLANC-12542/3 NOIR NEW

Miscelatore termostatico incasso con 3 rubinetti di apertura/chiusura su piastra unica (3 uscite).

Built-in thermostatic mixer with 3 open/close taps on single plate (3 exits).



RICAMBI / SPARE PARTS

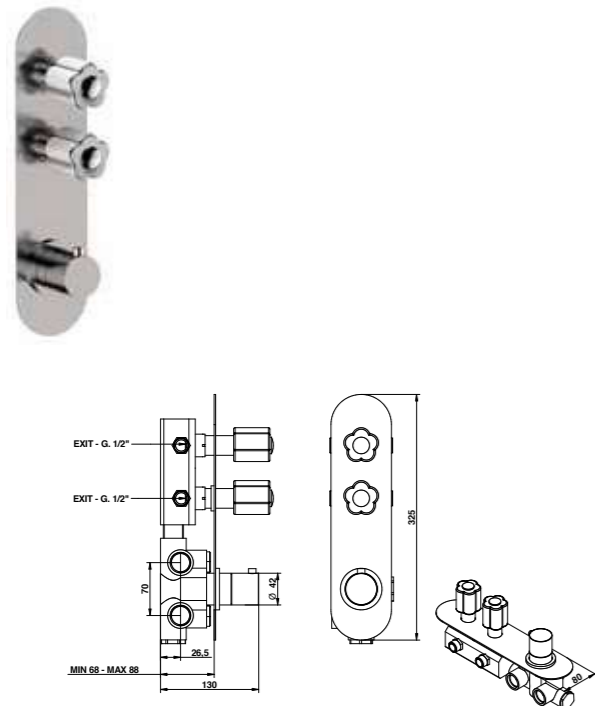
	09845 *		9794 ◻
--	---------	--	--------

* Cartuccia miscelatrice / Mixer cartridge
◻ Cartuccia di apertura-chiusura / Open-close cartridge

11542/2 BLANC-12542/2 NOIR NEW

Miscelatore termostatico incasso con 2 rubinetti di apertura/chiusura su piastra unica (2 uscite).

Built-in thermostatic mixer with 2 open/close taps on single plate (2 exits).



FINITURE E COLORI / FINISHES AND COLOURS



ARTICOLO COMPLETO / COMPLETE ITEM

11542CR03 - 12542CR03
CR

PARTE INCASSO BUILT-IN PART	PARTE ESTERNA DA ABBINARE EXTERNAL MATCHING PART
--------------------------------	---

09730/03

FINITURE / FINISHES

11542CR03EU
12542CR03EU
CR

11542OR03EU
12542OR03EU *
OR/NS/PL/NI

11542OP03EU
12542OP03EU *
OP

* Disponibile solo con maniglia: bianco-cromo, nero-cromo, bianco-oro, nero-oro. / Available only with handle: white-chrome, black-chrome, white-gold, black-gold.

Portata a pressione dinamica 3 bar - 23 l/min / Flow rates at dynamic pressure 3 bar - 23 l/min

Non disponibile in altre finiture. / Not available in other finishes.

PROLUNGA / MIXER EXTENSION

	00112CRPR03
--	-------------

ARTICOLO COMPLETO / COMPLETE ITEM

11542CR02 - 12542CR02
CR

PARTE INCASSO BUILT-IN PART	PARTE ESTERNA DA ABBINARE EXTERNAL MATCHING PART
--------------------------------	---

09730/02

FINITURE / FINISHES

11542CR02EU
12542CR02EU
CR

11542OR02EU
12542OR02EU *
OR/NS/PL/NI

11542OP02EU
12542OP02EU *
OP

* Disponibile solo con maniglia: bianco-cromo, nero-cromo, bianco-oro, nero-oro. / Available only with handle: white-chrome, black-chrome, white-gold, black-gold.

Portata a pressione dinamica 3 bar - 23 l/min / Flow rates at dynamic pressure 3 bar - 23 l/min

Non disponibile in altre finiture. / Not available in other finishes.

PROLUNGA / MIXER EXTENSION

	00112CRPR02
--	-------------

RICAMBI / SPARE PARTS

	09845 *		9794 ◻
--	---------	--	--------

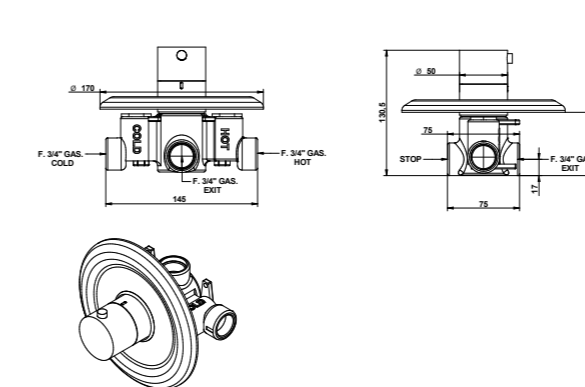
* Cartuccia miscelatrice / Mixer cartridge
◻ Cartuccia di apertura-chiusura / Open-close cartridge

ACCESSORI COORDINATI / CO-ORDINATED ACCESSORIES PAG. 872

15554

Termostatico incasso da 3/4" senza chiusura.

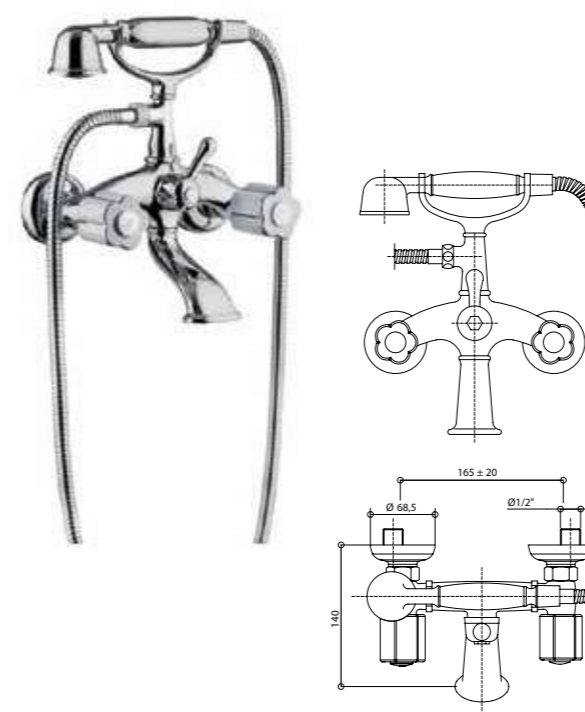
3/4" built-in thermostatic shower mixer without lock.



11526 BLANC-12526 NOIR

Gruppo vasca esterno con set doccia. External bath and shower mixer with shower set.

Dettaglio flessibili / Flexible details pag. 42



ACCESSORI E RICAMBI / ACCESSORIES AND SPARE PARTS



ARTICOLO COMPLETO / COMPLETE ITEM

15554CR00
CR

PARTE INCASSO BUILT-IN PART	PARTE ESTERNA DA ABBINARE EXTERNAL MATCHING PART
--------------------------------	---

09700

FINITURE / FINISHES

15554CREU
CR

15554NSEU
NS/NE/PL/ON/
BU/BI/RB

15554OREU
OR/CO/CN

15554OPEU
OP/CM/IM/NM/
HM/OM/BM

15554XXEU *
XX

* XX: Per tutte le altre finiture fattibili riferirsi a questa fascia di prezzo. / Refer to this line of price for all other realizable finishes.

ABBINABILE A / TO MATCH WITH:
Rubinetto incasso / Built-in tap - ...500 - ...498

RICAMBI / SPARE PARTS

	9837
--	------

ARTICOLO COMPLETO / COMPLETE ITEM

11526CR00 - 12526CR00
CR

11526OR00 - 12526OR00 *
OR/NS/PL/NI

11526OP00 - 12526OP00 *
OP

* Disponibile solo con maniglia: bianco-cromo, nero-cromo, bianco-oro, nero-oro. / Available only with handle: white-chrome, black-chrome, white-gold, black-gold.

Non disponibile in altre finiture. / Not available in other finishes.

Nelle varianti colore verniciate e satinare alcuni particolari saranno in finitura galvanica per garantire gli standard qualitativi. / To assure our quality standard on colored and satin product, some details remain in galvanic finishes.

RICAMBI / SPARE PARTS

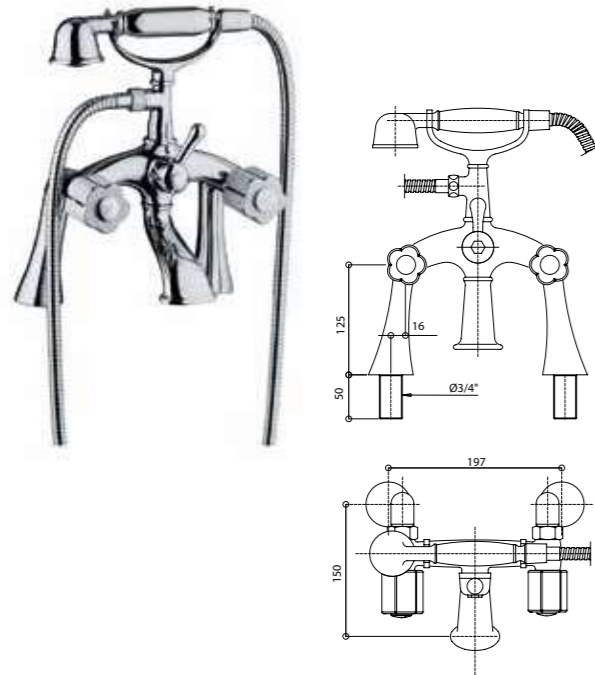
	9792 *		9792 ◻
	9600CR		00851CR
	00117/DV		00851XX00 ◻
	09600XX00 ◻		

* Calda / Hot
◻ Fredda / Cold
◻ Ricambio per finiture diverse dal cromo. / Spare part for different finishes.
◻ Nelle finiture verniciate e satinare i flessibili verranno forniti con calotta in delrin nero. / For painted and matt finishes, the flexible hoses will be supplied with black delrin conical connection.

11527 BLANC-12527 NOIR

Gruppo vasca esterno su colonnette con set doccia. / External bath and shower mixer on pillar connection with shower set.

Dettaglio flessibili / Flexible details pag. 42



ARTICOLO COMPLETO / COMPLETE ITEM

11527CR00 - 12527CR00
CR

11527OR00 - 12527OR00 *
OR/NS/PL/NI

11527OP00 - 12527OP00 *
OP

* Disponibile solo con maniglia: bianco-cromo, nero-cromo, bianco-oro, nero-oro. / Available only with handle: white-chrome, black-chrome, white-gold, black-gold.

Non disponibile in altre finiture. / Not available in other finishes.

RICAMBI / SPARE PARTS

	9792 *		9792 □
	9600CR		00851CR00
	00117/DV		00851XX00 □
	9600XX00 △		

* Calda / Hot

□ Fredda / Cold

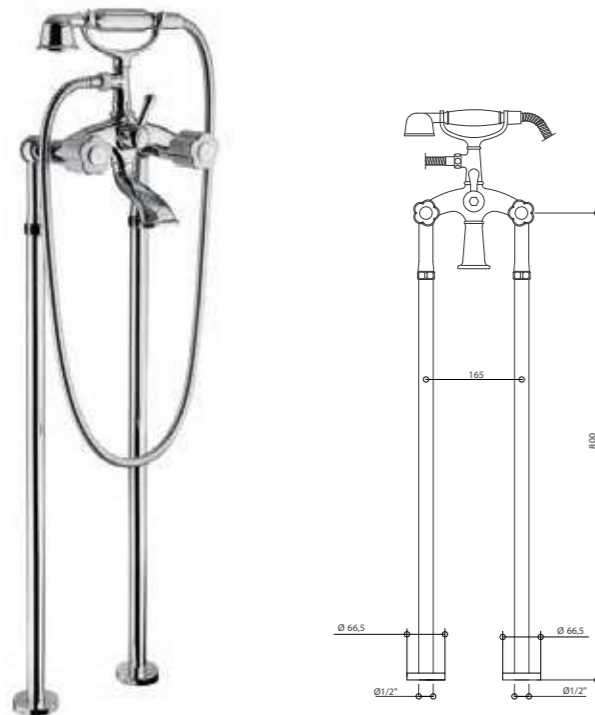
△ Ricambio per finiture diverse dal cromo. / Spare part for different finishes.

* Nelle finiture verniciate e satinare i flessibili verranno forniti con calotta in delrin nero. / For painted and matt finishes, the flexible hoses will be supplied with black delrin conical connection.

11528 BLANC-12528 NOIR

Gruppo vasca esterno su colonnette da terra con set doccia. / Floor mounted bath and shower mixer with shower set.

Dettaglio flessibili / Flexible details pag. 42



ARTICOLO COMPLETO / COMPLETE ITEM

11528CR00 - 12528CR00
CR

11528OR00 - 12528OR00 *
OR/NS/PL/NI

11528OP00 - 12528OP00 *
OP

* Disponibile solo con maniglia: bianco-cromo, nero-cromo, bianco-oro, nero-oro. / Available only with handle: white-chrome, black-chrome, white-gold, black-gold.

Non disponibile in altre finiture. / Not available in other finishes.

RICAMBI / SPARE PARTS

	9792 *		9792 □
	9600CR		00851CR00
	00117/DV		00851XX00 □
	9600XX00 △		

* Calda / Hot

□ Fredda / Cold

△ Ricambio per finiture diverse dal cromo. / Spare part for different finishes.

* Nelle finiture verniciate e satinare i flessibili verranno forniti con calotta in delrin nero. / For painted and matt finishes, the flexible hoses will be supplied with black delrin conical connection.

FINITURE E COLORI / FINISHES AND COLOURS



ACCESSORI COORDINATI / CO-ORDINATED ACCESSORIES PAG. 872

11530/D BLANC-12530/D NOIR

Gruppo vasca incasso con set doccia Built-in bath and shower mixer with duplex shower set.

Dettaglio flessibili / Flexible details pag. 42



ARTICOLO COMPLETO / COMPLETE ITEM

11530CR0D - 12530CR0D
CR

PARTE INCASSO
BUILT-IN PART

PARTE ESTERNA DA ABBINARE
EXTERNAL MATCHING PART

09680

FINITURE / FINISHES

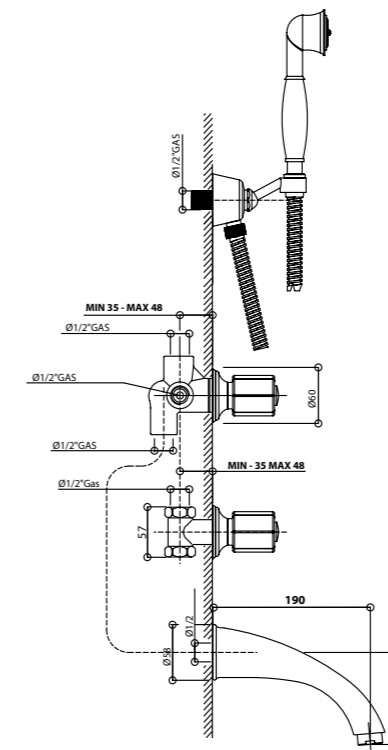
11530CR0DEU
12530CR0DEU
CR

11530OR0DEU
12530OR0DEU *
OR/NS/PL/NI

11530OP0DEU
12530OP0DEU *
OP

* Disponibile solo con maniglia: bianco-cromo, nero-cromo, bianco-oro, nero-oro. / Available only with handle: white-chrome, black-chrome, white-gold, black-gold.

Non disponibile in altre finiture. / Not available in other finishes.



PROLUNGA / MIXER EXTENSION

0008300CS
3 pz. per articolo Cad. / Each
/ 3 pcs needed

RICAMBI / SPARE PARTS

	9792 *		9792 □
	09997CR		9600CR
	00851CR00		00112DM
	00851XX00 □		9600XX00 △

* Calda / Hot

□ Fredda / Cold

△ Ricambio per finiture diverse dal cromo. / Spare part for different finishes.

* Nelle finiture verniciate e satinare i flessibili verranno forniti con calotta in delrin nero. / For painted and matt finishes, the flexible hoses will be supplied with black delrin conical connection.

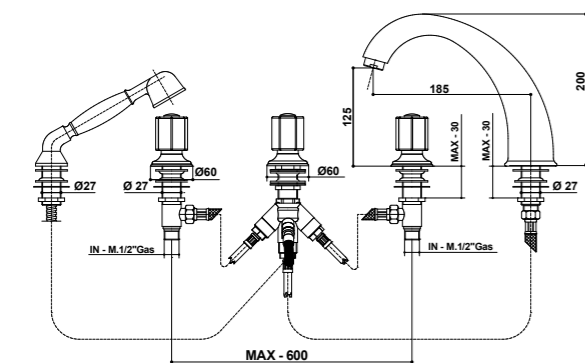
ACCESSORI E RICAMBI / ACCESSORIES AND SPARE PARTS



11531/D BLANC-12531/D NOIR

Gruppo bordo vasca cinque fori con set doccia.

Five holes deck bath and shower mixer with shower set.



ARTICOLO COMPLETO / COMPLETE ITEM

11531CR0D - 12531CR0D
CR

11531OR0D - 12531OR0D *
OR/NS/PL/NI

11531OP0D - 12531OP0D *
OP

* Disponibile solo con maniglia: bianco-cromo, nero-cromo, bianco-oro, nero-oro. / Available only with handle: white-chrome, black-chrome, white-gold, black-gold.

Non disponibile in altre finiture. / Not available in other finishes.

RICAMBI / SPARE PARTS

	9792 *		9792 □
	09997CR		09607CR
	00851CRBV		00112VI
	00851XXBV □		

* Calda / Hot

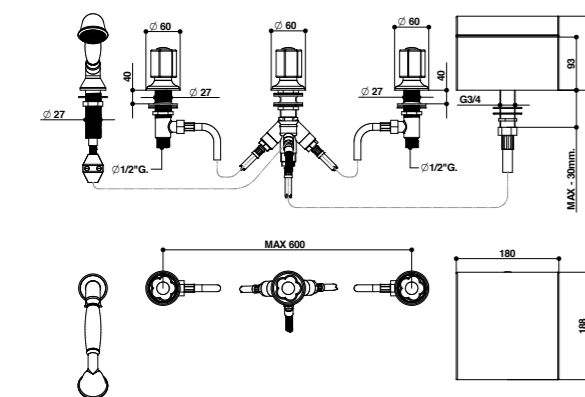
□ Fredda / Cold

□ Ricambio per finiture diverse dal cromo. / Spare part for different finishes.

11535/D BLANC-12535/D NOIR

Gruppo bordo vasca cinque fori con bocca a cascata e set doccia.

Five holes deck bath and shower mixer with waterfall spout and shower set.



ARTICOLO COMPLETO / COMPLETE ITEM

11535CR0D - 12535CR0D
CR

11535OR0D - 12535OR0D *
OR/NS/PL/NI

11535OP0D - 12535OP0D *
OP

* Disponibile solo con maniglia: bianco-cromo, nero-cromo, bianco-oro, nero-oro. / Available only with handle: white-chrome, black-chrome, white-gold, black-gold.

RICAMBI / SPARE PARTS

	9792 *		9792 □
	09607CR		00851CRBV
	00112VI		00851XXBV □

* Calda / Hot

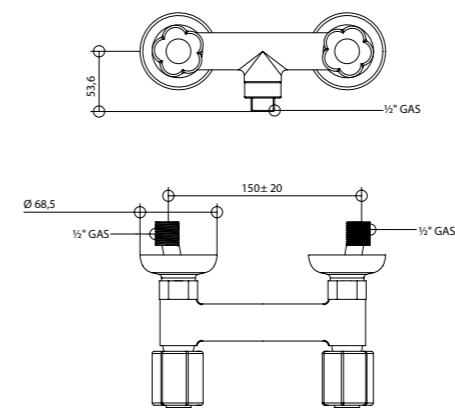
□ Fredda / Cold

□ Ricambio per finiture diverse dal cromo. / Spare part for different finishes.

11523 BLANC-12523 NOIR

Gruppo doccia esterno.

External shower mixer.



ARTICOLO COMPLETO / COMPLETE ITEM

11523CR00 - 12523CR00
CR

11523OR00 - 12523OR00 *
OR/NS/PL/NI

11523OP00 - 12523OP00 *
OP

* Disponibile solo con maniglia: bianco-cromo, nero-cromo, bianco-oro, nero-oro. / Available only with handle: white-chrome, black-chrome, white-gold, black-gold.

Non disponibile in altre finiture. / Not available in other finishes.

ABBINABILE A / TO MATCH WITH:
Asta saliscendi / Sliding rail - 871
Set doccia / Set duplex - 831

RICAMBI / SPARE PARTS

	9792 *		9792 □
--	--------	--	--------

* Calda / Hot

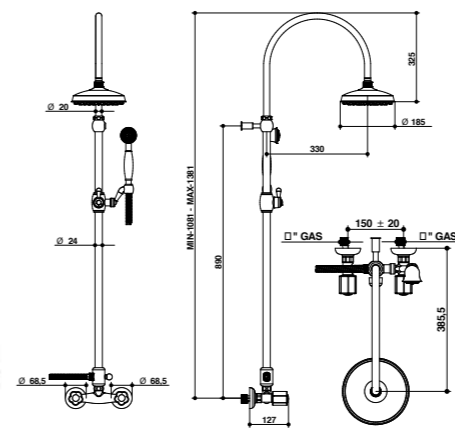
□ Fredda / Cold

11537/D BLANC-12537/D NOIR

Gruppo doccia esterno con tubo, soffione e set doccia duplex.

External shower mixer with tube, shower head and duplex shower set.

Dettaglio flessibili / Flexible details pag. 42



ARTICOLO COMPLETO / COMPLETE ITEM

11537CR0D - 12537CR0D
CR

11537OR0D - 12537OR0D *
OR/NS/PL/NI

11537OP0D - 12537OP0D *
OP

* Disponibile solo con maniglia: bianco-cromo, nero-cromo, bianco-oro, nero-oro. / Available only with handle: white-chrome, black-chrome, white-gold, black-gold.

Non disponibile in altre finiture. / Not available in other finishes.

RICAMBI / SPARE PARTS

	9792 *		9792 □
	10860CR		9600CR
	00851CR00		121CRCL
	00851XX00 □		9600XX00 □
	10860XX00 □		

* Calda / Hot

□ Fredda / Cold

□ Ricambio per finiture diverse dal cromo. / Spare part for different finishes.

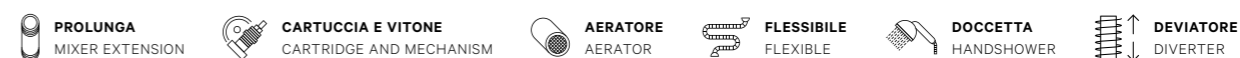
* Nelle finiture verniciate e satinare i flessibili verranno forniti con calotta in delrin nero. / For painted and matt finishes, the flexible hoses will be supplied with black delrin conical connection.

FINITURE E COLORI / FINISHES AND COLOURS



ACCESSORI COORDINATI / CO-ORDINATED ACCESSORIES PAG. 872

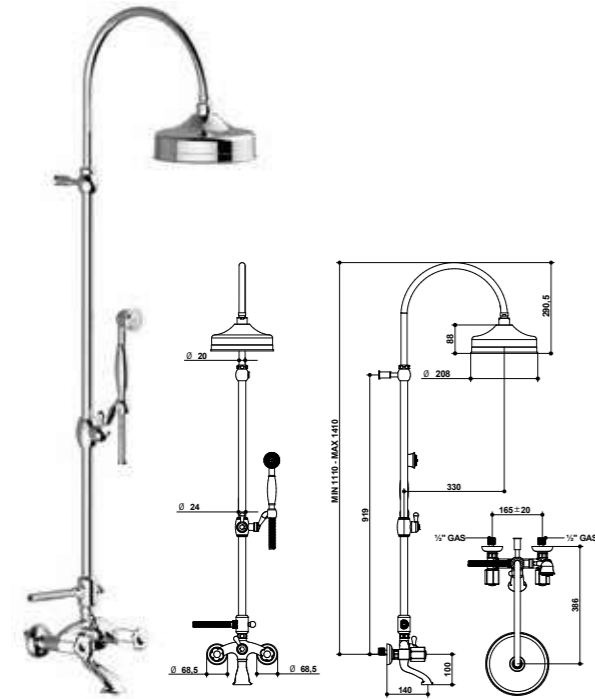
ACCESSORI E RICAMBI / ACCESSORIES AND SPARE PARTS



11536/D BLANC-12536/D NOIR

Gruppo vasca doccia esterno con tubo, soffione, e set doccia duplex. / External bath shower mixer with tube, shower head and duplex shower set.

Dettaglio flessibili / Flexible details pag. 42



ARTICOLO COMPLETO / COMPLETE ITEM

11536CR0D - 12536CR0D
CR

11536OR0D - 12536OR0D *
OR/NS/PL/NI

11536OP0D - 12536OP0D *
OP

* Disponibile solo con maniglia: bianco-cromo, nero-cromo, bianco-oro, nero-oro. / Available only with handle: white-chrome, black-chrome, white-gold, black-gold.

Non disponibile in altre finiture. / Not available in other finishes.

RICAMBI / SPARE PARTS

	9792 *		9792 □
	10860		9600CR
	00851CR00		121CRCL
	00117/DV		00851XX00 □
	9600XX00 ◻		10860XX00 □

* Calda / Hot

□ Fredda / Cold

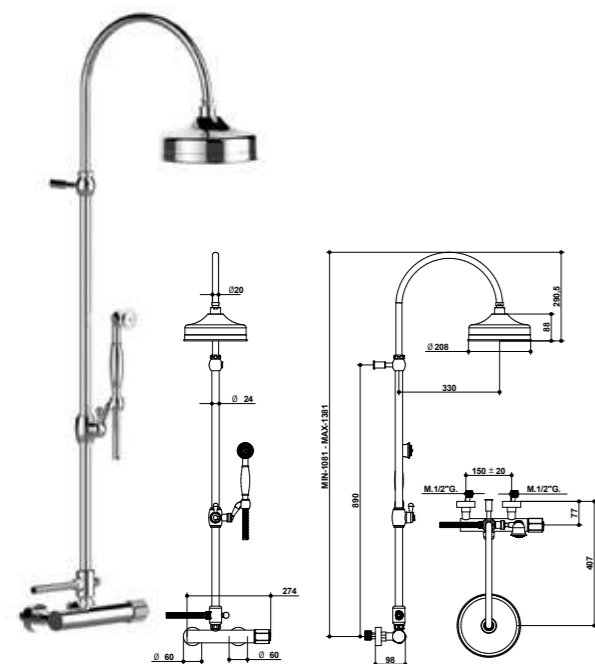
◻ Ricambio per finiture diverse dal cromo. / Spare part for different finishes.

* Nelle finiture verniciate e satinare i flessibili verranno forniti con calotta in delrin nero. / For painted and matt finishes, the flexible hoses will be supplied with black delrin conical connection.

11555/OD-12555/OD

Miscelatore doccia esterno con tubo, soffione e set doccia duplex. / External shower mixer with tube, shower head and duplex shower set.

Dettaglio flessibili / Flexible details pag. 42



ARTICOLO COMPLETO / COMPLETE ITEM

11555CR0D - 12555CR0D
CR

11555OR0D - 12555OR0D *
OR/NS/PL/NI

11555OP0D - 12555OP0D *
OP

* Disponibile solo con maniglia: bianco-cromo, nero-cromo, bianco-oro, nero-oro. / Available only with handle: white-chrome, black-chrome, white-gold, black-gold.

Non disponibile in altre finiture. / Not available in other finishes.

RICAMBI / SPARE PARTS

	9813		10860CR
	00121CRCL		9600CR
	9600XX00 *		00851CR00
	00851XX00 □		10860XX00 □

* Nelle finiture verniciate e satinare i flessibili verranno forniti con calotta in delrin nero. / For painted and matt finishes, the flexible hoses will be supplied with black delrin conical connection.

◻ Ricambio per finiture diverse dal cromo. / Spare part for different finishes.

FINITURE E COLORI / FINISHES AND COLOURS

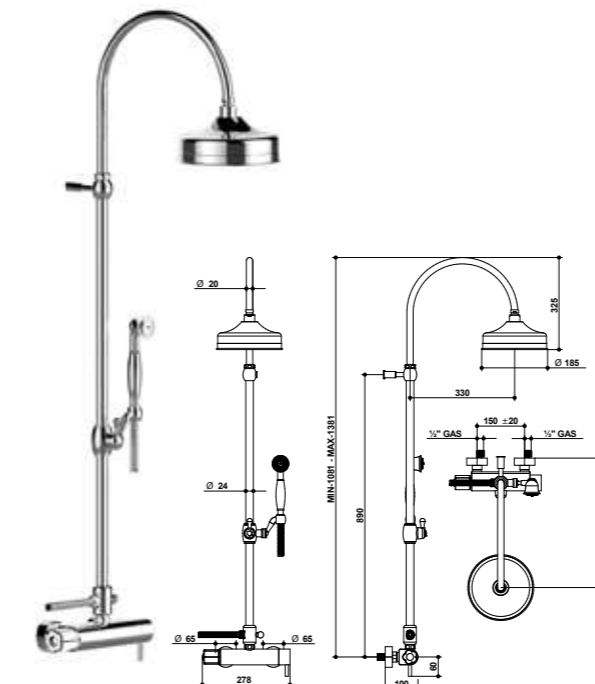


ACCESSORI COORDINATI / CO-ORDINATED ACCESSORIES PAG. 872

11547/OD-12547/OD

Gruppo doccia esterno termostatico con tubo, soffione e set doccia duplex. / External shower thermostatic with tube, shower head and duplex shower set.

Dettaglio flessibili / Flexible details pag. 42



ARTICOLO COMPLETO / COMPLETE ITEM

11547CR0D - 12547CR0D
CR

11547OR0D - 12547OR0D *
OR/NS/PL/NI

11547OP0D - 12547OP0D *
OP

* Disponibile solo con maniglia: bianco-cromo, nero-cromo, bianco-oro, nero-oro. / Available only with handle: white-chrome, black-chrome, white-gold, black-gold.

Non disponibile in altre finiture. / Not available in other finishes.

RICAMBI / SPARE PARTS

	8900ES *		9792 □
	10860CR00		00121CRCL
	9600CR		9600XX00 □
	00851CR00		00851XX00 ◻
	10860XX00 ◻		

* Cartuccia miscelatrice / Mixer cartridge

□ Cartuccia di apertura-chiusura / Open-close cartridge

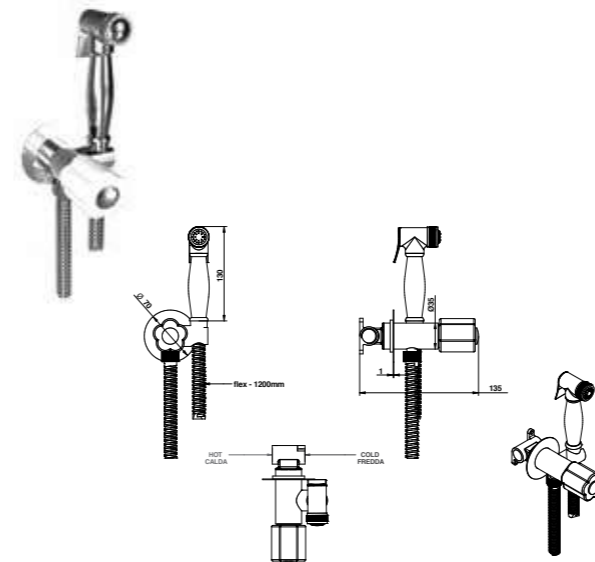
◻ Nelle finiture verniciate e satinare i flessibili verranno forniti con calotta in delrin nero. / For painted and matt finishes, the flexible hoses will be supplied with black delrin conical connection.

◻ Ricambio per finiture diverse dal cromo. / Spare part for different finishes.

11916 BLANC-12916 NOIR

Set doccia bidet per wc ad incasso con miscelatore progressivo integrato e doccia. / Shattaff shower set for wc with integrated progressive mixer and handshower.

Dettaglio flessibili / Flexible details pag. 42



ARTICOLO COMPLETO / COMPLETE ITEM

11916CR00 - 12916CR00
CR

PARTE INCASSO / BUILT-IN PART

FINITURE / FINISHES

9490/CP

11916CREU
12916CREU
CR

11916OREU
12916OREU *
OR/NS/PL/NI

11916OPEU
12916OPEU *
OP

* Disponibile solo con maniglia: bianco-cromo, nero-cromo, bianco-oro, nero-oro. / Available only with handle: white-chrome, black-chrome, white-gold, black-gold.

Non disponibile in altre finiture. / Not available in other finishes.

PROLUNGA / MIXER EXTENSION

00916CRPR

RICAMBI / SPARE PARTS

	9820		09610CR
	00902CRDO		9605XXPV *
	00902XX0D □		

* Nelle finiture verniciate e satinare i flessibili verranno forniti con calotta in delrin nero. / For painted and matt finishes, the flexible hoses will be supplied with black delrin conical connection.

◻ Ricambio per finiture diverse dal cromo. / Spare part for different finishes.

ACCESSORI E RICAMBI / ACCESSORIES AND SPARE PARTS



Cristallo

DESIGN CENTER DIRECTED BY
ANTONIO BONGIO

#luxurybathroom



1

Style & Beauty

INTRAMONTABILE BELLEZZA

Timeless beauty



Con le sue forme armoniche e le linee eleganti, CRISTALLO rappresenta l'intramontabile bellezza di un prodotto che va oltre le mode. Un dettaglio che diventa protagonista e rende sofisticato e attuale anche l'ambiente più classico.

With its harmonious shapes and sleek lines, represents the timeless beauty of a product that goes beyond fashion. A detail that becomes the protagonist and makes even the most classic of environments modern and sophisticated.



1. Art. 04501CR00

#timelesselegance

RIVOLI

DESIGN CENTER DIRECTED BY
ANTONIO BONGIO

#charminglover



TIMELESS
BEAUTY

RAFFINATO PROTAGONISTA

Refined protagonist

Le maniglie in vetro colorato aggiungono modernità al design classico, rendendo RIVOLI il protagonista raffinato di ambienti che raccontano un'eleganza e un fascino senza tempo. Disponibile anche in versione cromo e oro, questa collezione diventa un gioiello d'arredo, un segno distintivo che non passa mai inosservato.

Stained-glass handles add a modern touch to the classic design, making RIVOLI the refined protagonist of living spaces that reveal a timeless elegance and charm. Also available in chrome and gold, this collection becomes a true furnishing gem, a hallmark that never goes unnoticed.



#preciousdwellings

1. Art. 05521CR00
2. Art. 05521OP06 (su richiesta / upon request)

#goldenlore



VASCA / BATHTUB
Art. 05526OR00



LAVABO / WASHBASIN
Art. 05501OR00



LAVABO / WASHBASIN
Art. 04501OR00

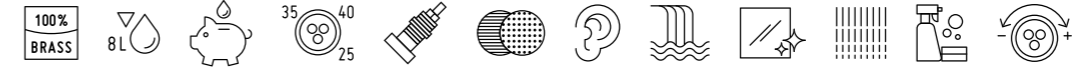


#sophisticatedcharm

LAVABO / WASHBASIN
Art. 05521CR00

INFORMAZIONI TECNICHE

Technical details



VITONI: La serie Rivoli-Cristallo è dotata di vitoni a dischi ceramici 1/4 giro e di cartuccia progressiva Ø 35 mm.

La temperatura d'impianto non deve superare i 70°C. La pressione di esercizio dell'impianto consigliata è di 3 bar.

EROGAZIONE: La serie Rivoli-Cristallo ha un tipo di erogazione morbida. **I lavabi e i bidet sono forniti con limitatore di portata da 6l/m, permettendo un notevole risparmio d'acqua.**

INSTALLAZIONE: Tutti gli articoli ad incasso Bongio completi sono forniti di relative parti incasso.

Gli articoli doccia e vasca esterni hanno un interasse di 15±20 mm.

Per gli articoli lavabo e bidet, monoforo e tre fori, da installarsi su piano, devono essere realizzati fori Ø 35 mm massimo.

Rubinetteria abbinabile ad accessori serie Fleur pag. 872

MECHANISM: Rivoli-Cristallo series has 1/4" turn ceramic disc mechanism and Ø 35 mms. progressive cartridge.

The temperature of the plant should not exceed 70 degrees. The suggested working pressure of the plant has to be 3 bar.

SUPPLY: Rivoli-Cristallo series has a soft supply. **Basin and bidet mixers have a standard limitation of flow to 6l/m which reduces the water waste.**

INSTALLATION: All the built-in Bongio items are available with universal raw built-in body.

All the external shower and bath mixers have the 15±20 mms interaxe.

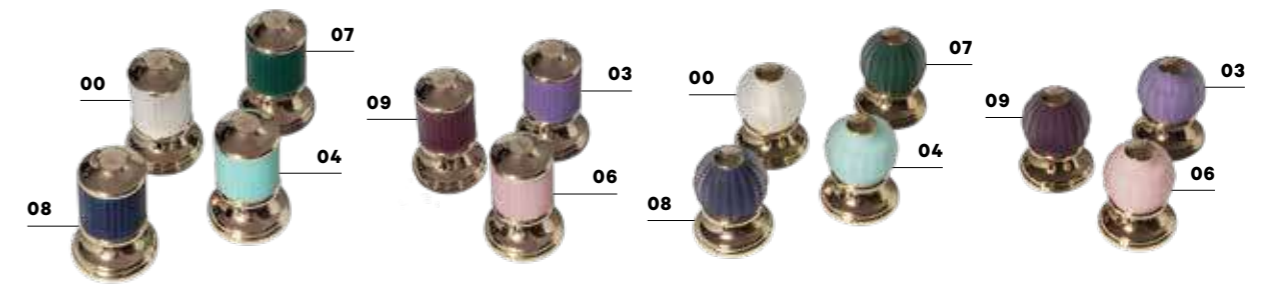
For the basin and bidet mixers - single or three holes - to be place on top deck, they require Ø 35 mms maximum holes.

Collection to match with Fleur accessories pag. 872

MANIGLIE IN CRISTALLO / CRYSTAL HANDLES

Per serie Cristallo / For Cristallo collection

Per serie Rivoli / For Rivoli collection



00 Bianco / White

07 Smeraldo / Emerald

04 Turchese / Turquoise

08 Blu Reale / Royal Blue

03 Lilla / Lilac

06 Rosa Antico / Antique Pink

09 Rubino / Ruby

FINITURE E COLORI / FINISHES AND COLOURS

DETTAGLI / MORE INFO PAG. 38



CR
Cromo
Chrome



OR
Oro 24kt
24kt Gold



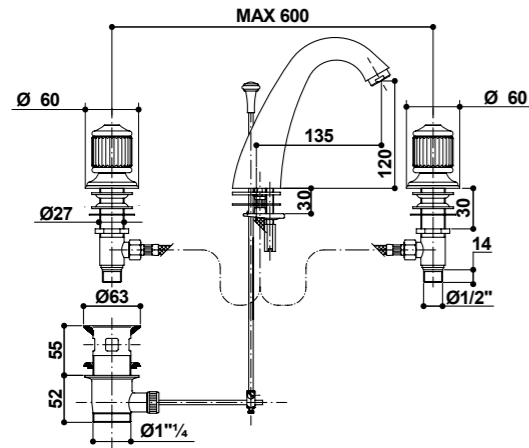
OA*
Oro Rosa
Rose Gold

* Disponibile su richiesta / Available on request

04501 - 05501

Gruppo lavabo tre fori completo di scarico 1.1/4".

Three holes basin mixer with 1.1/4" pop-up waste.



ARTICOLO COMPLETO / COMPLETE ITEM

04501CR00 - 05501CR00
CR00/CR03/CR04/CR06/CR07/CR08/CR09

04501OR00 - 05501OR00
OR00/OR03/OR04/OR06/CR07/OR08/OR09

04501XXXX - 05501XXXX *
XXXX

* XXXX: Per tutte le altre combinazioni colore fattibili riferirsi a questa fascia di prezzo. / Refer to this line of price for all other realizable color combinations.

ABBINABILE A / TO MATCH WITH:
Sifone / Siphon - **00065CR00**

Non disponibile in BM - TT - BU - ON - FA - IM - NM - OM - HM - CM - NE - BI - AM / Not available BM - TT - BU - ON - FA - IM - NM - OM - HM - CM - NE - BI - AM

RICAMBI / SPARE PARTS

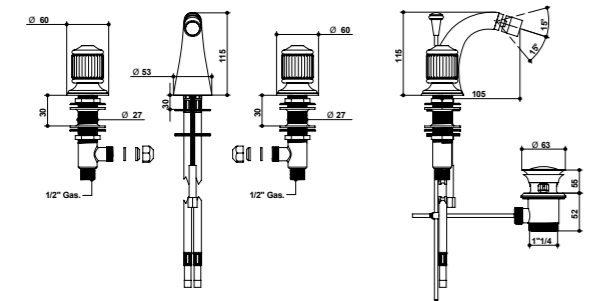
	9792 *		9792 □
	9998CR		

* Calda / Hot
* Fredda / Cold

04503 - 05503

Gruppo bidet tre fori con bocca completo di scarico 1.1/4".

Three holes bidet mixer with 1.1/4" pop-up waste.



ARTICOLO COMPLETO / COMPLETE ITEM

04503CR00 - 05503CR00
CR00/CR03/CR04/CR06/CR07/CR08/CR09

04503OR00 - 05503OR00
OR00/OR03/OR04/OR06/CR07/OR08/OR09

04503XXXX - 05503XXXX *
XXXX

* XXXX: Per tutte le altre combinazioni colore fattibili riferirsi a questa fascia di prezzo. / Refer to this line of price for all other realizable color combinations.

ABBINABILE A / TO MATCH WITH:
Sifone / Siphon - **00066CR00**

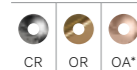
Non disponibile in BM - TT - BU - ON - FA - IM - NM - OM - HM - CM - NE - BI - AM / Not available BM - TT - BU - ON - FA - IM - NM - OM - HM - CM - NE - BI - AM

RICAMBI / SPARE PARTS

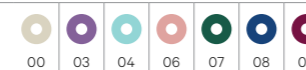
	9792 *		9792 □
	9979CR		

* Calda / Hot
* Fredda / Cold

FINITURE E COLORI / FINISHES AND COLOURS



MANIGLIE IN CRISTALLO / CRYSTAL HANDLES

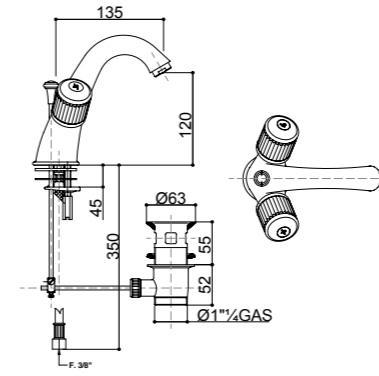


* Disponibile su richiesta / Available on demand

04521 - 05521

Monoforo lavabo completo di scarico 1.1/4".

Single hole basin mixer with 1.1/4" pop-up waste.



ARTICOLO COMPLETO / COMPLETE ITEM

04521CR00 - 05521CR00
CR00/CR03/CR04/CR06/CR07/CR08/CR09

04521OR00 - 05521OR00
OR00/OR03/OR04/OR06/CR07/OR08/OR09

04521XXXX - 05521XXXX *
XXXX

* XXXX: Per tutte le altre combinazioni colore fattibili riferirsi a questa fascia di prezzo. / Refer to this line of price for all other realizable color combinations.

ABBINABILE A / TO MATCH WITH:
Sifone / Siphon - **00065CR00**

Non disponibile in BM - TT - BU - ON - FA - IM - NM - OM - HM - CM - NE - BI - AM / Not available BM - TT - BU - ON - FA - IM - NM - OM - HM - CM - NE - BI - AM

PROLUNGA / MIXER EXTENSION

	945CR15
--	---------

RICAMBI / SPARE PARTS

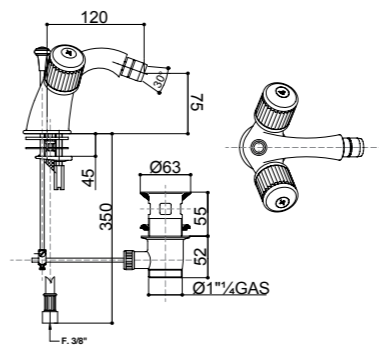
	9792 *		9791 □
	9998CR		

* Calda / Hot
* Fredda / Cold

04522 - 05522

Monoforo bidet completo di scarico 1.1/4".

Single hole basin mixer with 1.1/4" pop-up waste.



ARTICOLO COMPLETO / COMPLETE ITEM

04522CR00 - 05522CR00
CR00/CR03/CR04/CR06/CR07/CR08/CR09

04522OR00 - 05522OR00
OR00/OR03/OR04/OR06/CR07/OR08/OR09

04522XXXX - 05522XXXX *
XXXX

* XXXX: Per tutte le altre combinazioni colore fattibili riferirsi a questa fascia di prezzo. / Refer to this line of price for all other realizable color combinations.

ABBINABILE A / TO MATCH WITH:
Sifone / Siphon - **00066CR00**

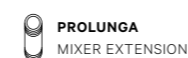
Non disponibile in BM - TT - BU - ON - FA - IM - NM - OM - HM - CM - NE - BI - AM / Not available BM - TT - BU - ON - FA - IM - NM - OM - HM - CM - NE - BI - AM

RICAMBI / SPARE PARTS

	9792 *		9791 □
	9978CR		

* Calda / Hot
* Fredda / Cold

ACCESSORI E RICAMBI / ACCESSORIES AND SPARE PARTS



PROLUNGA
MIXER EXTENSION



CARTUCCIA E VITONE
CARTRIDGE AND MECHANISM



AERATORE
AERATOR



FLESSIBILE
FLEXIBLE



DOCCETTA
HANDSHOWER



DEVIATORE
DIVERTER

FLEUR - ACCESSORI IN ABBINAMENTO / MATCHING ACCESSORIES PAG.872

04538 - 05538

Gruppo lavabo incasso a parete,
bocca 190 mm.

Wall basin mixer with mms. 190 spout.
bocca 190 mm.



ARTICOLO COMPLETO / COMPLETE ITEM

04538CR00 - 05538CR00
CR00/CR03/CR04/CR06/CR07/CR08/CR09

PARTE INCASSO
BUILT-IN PART

09767

PARTE ESTERNA DA ABBINARE
EXTERNAL MATCHING PART

FINITURE / FINISHES

04538CR00EU
05538CR00EU
CR00/CR03/CR04/CR06/
CR07/CR08/CR09

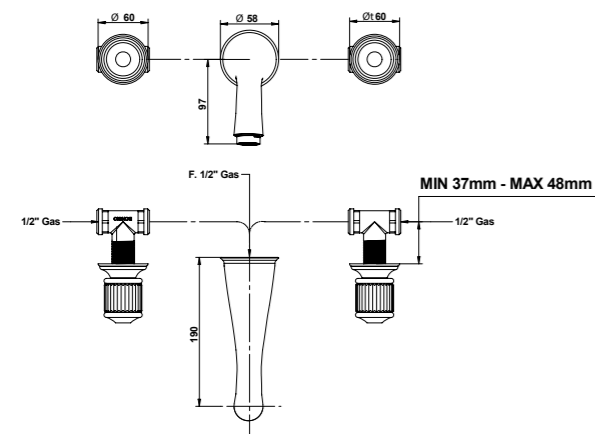
04538OR00EU
05538OR00EU
OR00/OR03/OR04/OR06/
OR07/OR08/OR09

04538XXXXEU
05538XXXXEU *
XXXX

* XXXX: Per tutte le altre combinazioni colore fattibili riferirsi a questa fascia di prezzo. / Refer to this line of price for all other realizable color combinations.

ABBINABILE A / TO MATCH WITH:
Sifone / Siphon - **00065CR00**
Piletta clic-clac / Clic-clac waste - **00079CR00**

Non disponibile in BM - TT - BU - ON - FA - IM - NM - OM - HM - CM - NE - BI - AM / Not available BM - TT - BU - ON - FA - IM - NM - OM - HM - CM - NE - BI - AM



PROLUNGA / MIXER EXTENSION

0008300CS
2 pz. per articolo Cad. / Each
/ 2 pcs needed

RICAMBI / SPARE PARTS

9792 * **9792 □**

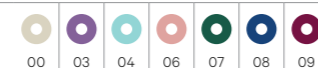
9998CR

* Calda / Hot
□ Fredda / Cold

FINITURE E COLORI / FINISHES AND COLOURS



MANIGLIE IN CRISTALLO / CRYSTAL HANDLES

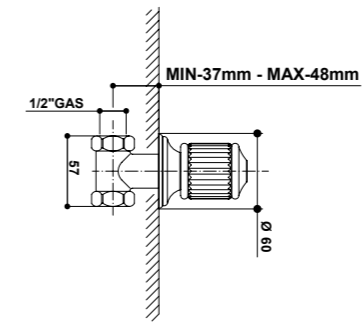


* Disponibile su richiesta / Available on demand

04500 - 05500

Rubinetti incasso 1/2".

1/2" built-in tap.



RICAMBI / SPARE PARTS

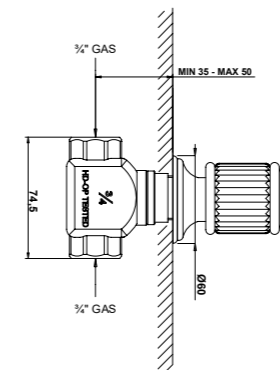
9792 * **9792 □**

* Calda / Hot
□ Fredda / Cold

04498 - 05498

Rubinetti incasso da 3/4" vitone
tradizionale.

3/4" built-in tap traditional mechanism.



RICAMBI / SPARE PARTS

9804 * **9804 □**

* Calda / Hot
□ Fredda / Cold

ARTICOLO COMPLETO / COMPLETE ITEM

04500CR00 - 05500CR00
CR00/CR03/CR04/CR06/CR07/CR08/CR09

PARTE INCASSO
BUILT-IN PART

09777
CALDA / hot
09777
FREDDA / cold

PARTE ESTERNA DA ABBINARE
EXTERNAL MATCHING PART

FINITURE / FINISHES

04500CR00EU
05500CR00EU
CR00/CR03/CR04/CR06/
CR07/CR08/CR09

04500OR00EU
05500OR00EU
OR00/OR03/OR04/OR06/
OR07/OR08/OR09

04500XXXXEU
05500XXXXEU *
XXXX

* XXXX: Per tutte le altre combinazioni colore fattibili riferirsi a questa fascia di prezzo. / Refer to this line of price for all other realizable color combinations.

Non disponibile in BM - TT - BU - ON - FA - IM - NM - OM - HM - CM - NE - BI - AM / Not available BM - TT - BU - ON - FA - IM - NM - OM - HM - CM - NE - BI - AM

PROLUNGA / MIXER EXTENSION

0008300CS

ARTICOLO COMPLETO / COMPLETE ITEM

04498CR00 - 05498CR00
CR00/CR03/CR04/CR06/CR07/CR08/CR09

PARTE INCASSO
BUILT-IN PART

09772
CALDA / hot
09772
FREDDA / cold

PARTE ESTERNA DA ABBINARE
EXTERNAL MATCHING PART

FINITURE / FINISHES

04498CR00EU
05498CR00EU
CR00/CR03/CR04/CR06/
CR07/CR08/CR09

04498OR00EU
05498OR00EU
OR00/OR03/OR04/OR06/
OR07/OR08/OR09

04498XXXXEU
05498XXXXEU *
XXXX

* XXXX: Per tutte le altre combinazioni colore fattibili riferirsi a questa fascia di prezzo. / Refer to this line of price for all other realizable color combinations.

Non disponibile in BM - TT - BU - ON - FA - IM - NM - OM - HM - CM - NE - BI - AM / Not available BM - TT - BU - ON - FA - IM - NM - OM - HM - CM - NE - BI - AM

PROLUNGA / MIXER EXTENSION

0008300CS

ACCESSORI E RICAMBI / ACCESSORIES AND SPARE PARTS

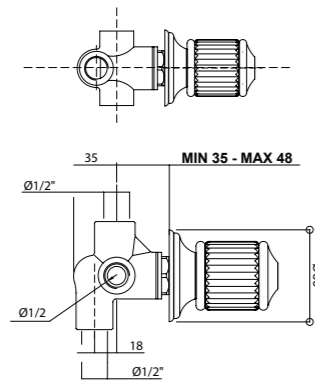
FLEUR - ACCESSORI IN ABBINAMENTO / MATCHING ACCESSORIES PAG. 872



04525 - 05525

Deviatore 3 uscite (2 entrate 3 uscite).

3 exit built-in diverter (2 in - 3 out).



RICAMBI / SPARE PARTS

00112DM

ARTICOLO COMPLETO / COMPLETE ITEM

04525CR00 - 05525CR00
CR00/CR03/CR04/CR06/CR07/CR08/CR09

PARTE INCASSO
BUILT-IN PART

PARTE ESTERNA DA ABBINARE
EXTERNAL MATCHING PART

FINITURE / FINISHES

09496

04525CR00EU
05525CR00EU
CR00/CR03/CR04/CR06/
CR07/CR08/CR09

04525OR00EU
05525OR00EU
OR00/OR03/OR04/OR06/
OR07/OR08/OR09

04525XXXEU
05525XXXEU *
XXXX

* XXXX: Per tutte le altre combinazioni colore fattibili riferirsi a questa fascia di prezzo. / Refer to this line of price for all other realizable color combinations.

Non disponibile in BM - TT - BU - ON - FA - IM - NM - OM - HM - CM - NE - BI - AM / Not available BM - TT - BU - ON - FA - IM - NM - OM - HM - CM - NE - BI - AM

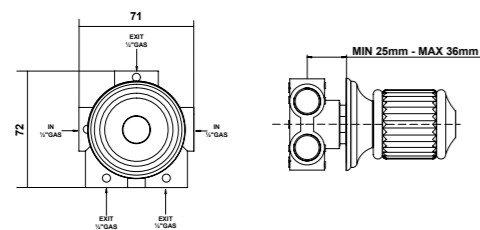
PROLUNGA / MIXER EXTENSION

0008300CS

04525/5 - 05525/5

Deviatore 3 uscite (2 entrate 3 uscite).

3 exit built-in diverter (2 in - 3 out).



RICAMBI / SPARE PARTS

00113DM

ARTICOLO COMPLETO / COMPLETE ITEM

04525CR005 - 05525CR005
CR00/CR03/CR04/CR06/CR07/CR08/CR09

PARTE INCASSO
BUILT-IN PART

PARTE ESTERNA DA ABBINARE
EXTERNAL MATCHING PART

FINITURE / FINISHES

09495

04525CR005EU
05525CR005EU
CR00/CR03/CR04/CR06/
CR07/CR08/CR09

04525OR005EU
05525OR005EU
OR00/OR03/OR04/OR06/
OR07/OR08/OR09

04525XXX05EU
05525XXX05EU *
XXXX

* XXXX: Per tutte le altre combinazioni colore fattibili riferirsi a questa fascia di prezzo. / Refer to this line of price for all other realizable color combinations.

Non disponibile in BM - TT - BU - ON - FA - IM - NM - OM - HM - CM - NE - BI - AM / Not available BM - TT - BU - ON - FA - IM - NM - OM - HM - CM - NE - BI - AM

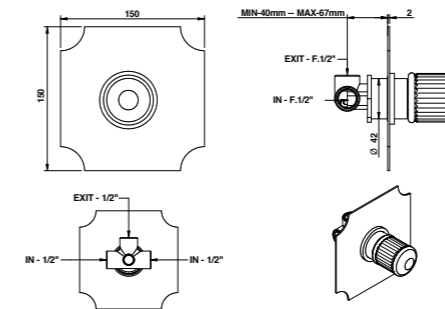
PROLUNGA / MIXER EXTENSION

0008300CS

04524 - 05524

Miscelatore incasso con cartuccia progressiva.

Built-in mixer with progressive cartridge.



OPTIONAL: Scatola incasso per cartongesso / Built-in box for drywall and cavity wall **09702PBOX**

RICAMBI / SPARE PARTS

9822

ARTICOLO COMPLETO / COMPLETE ITEM

04524CR00 - 05524CR00
CR00/CR03/CR04/CR06/CR07/CR08/CR09

PARTE INCASSO
BUILT-IN PART

PARTE ESTERNA DA ABBINARE
EXTERNAL MATCHING PART

FINITURE / FINISHES

09862/PG

04524CR00EU
05524CR00EU
CR00/CR03/CR04/CR06/
CR07/CR08/CR09

04524OR00EU
05524OR00EU
OR00/OR03/OR04/OR06/
OR07/OR08/OR09

04524XXXEU
05524XXXEU *
XXXX

* XXXX: Per tutte le altre combinazioni colore fattibili riferirsi a questa fascia di prezzo. / Refer to this line of price for all other realizable color combinations.

Non disponibile in BM - TT - BU - ON - FA - IM - NM - OM - HM - CM - NE - BI - AM / Not available BM - TT - BU - ON - FA - IM - NM - OM - HM - CM - NE - BI - AM

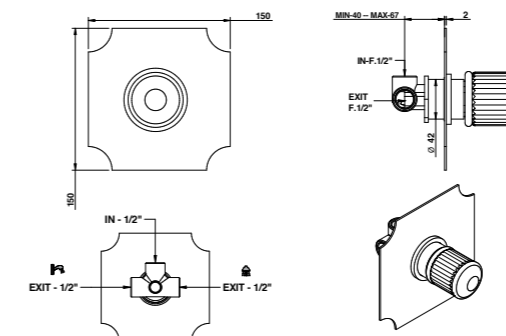
PROLUNGA / MIXER EXTENSION

00100CRPRP

04556 - 05556

Deviatore 2 uscite (1 entrata - 2 uscite).

2 exit diverter. (1 in - 2 out).



ARTICOLO COMPLETO / COMPLETE ITEM

04556CR00 - 05556CR00
CR00/CR03/CR04/CR06/CR07/CR08/CR09

PARTE INCASSO
BUILT-IN PART

PARTE ESTERNA DA ABBINARE
EXTERNAL MATCHING PART

FINITURE / FINISHES

09491/2

04556CR00EU
05556CR00EU
CR00/CR03/CR04/CR06/
CR07/CR08/CR09

04556OR00EU
05556OR00EU
OR00/OR03/OR04/OR06/
OR07/OR08/OR09

04556XXXEU
05556XXXEU *
XXXX

* XXXX: Per tutte le altre combinazioni colore fattibili riferirsi a questa fascia di prezzo. / Refer to this line of price for all other realizable color combinations.

Non disponibile in BM - TT - BU - ON - FA - IM - NM - OM - HM - CM - NE - BI - AM / Not available BM - TT - BU - ON - FA - IM - NM - OM - HM - CM - NE - BI - AM

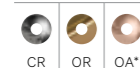
PROLUNGA / MIXER EXTENSION

00109CRPR

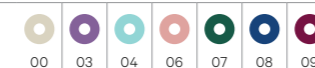
RICAMBI / SPARE PARTS

9808/2

FINITURE E COLORI / FINISHES AND COLOURS



MANIGLIE IN CRISTALLO / CRYSTAL HANDLES



* Disponibile su richiesta / Available on demand

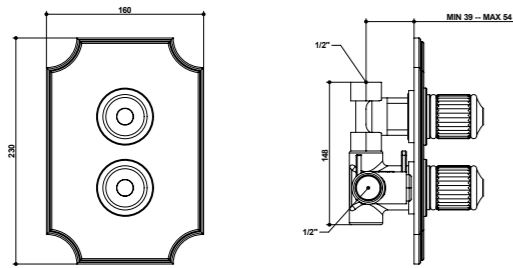
ACCESSORI E RICAMBI / ACCESSORIES AND SPARE PARTS



FLEUR - ACCESSORI IN ABBINAMENTO / MATCHING ACCESSORIES PAG.872

04544 - 05544

Miscelatore termostatico incasso 1/2". 1/2" built-in thermostatic mixer.



RICAMBI / SPARE PARTS



*Cartuccia miscelatrice / Mixer cartridge
 □ Cartuccia di apertura-chiusura / Open-close cartridge

ARTICOLO COMPLETO / COMPLETE ITEM

04544CR00 - 05544CR00
 CR00/CR03/CR04/CR06/CR07/CR08/CR09

PARTE INCASSO / BUILT-IN PART
PARTE ESTERNA DA ABBINARE / EXTERNAL MATCHING PART

FINITURE / FINISHES

09787

04544CR00EU
05544CR00EU
 CR00/CR03/CR04/CR06/
 CR07/CR08/CR09

04544OR00EU
05544OR00EU
 OR00/OR03/OR04/OR06/
 OR07/OR08/OR09

04544XXXEU
05544XXXEU *
 XXXX

* XXXX: Per tutte le altre combinazioni colore fattibili riferirsi a questa fascia di prezzo. / Refer to this line of price for all other realizable color combinations.

Portata a pressione dinamica 3 bar - 32 l/min - 38° Mix / Flow rates at dynamic pressure 3 bar - 32 l/min - 38° Mix

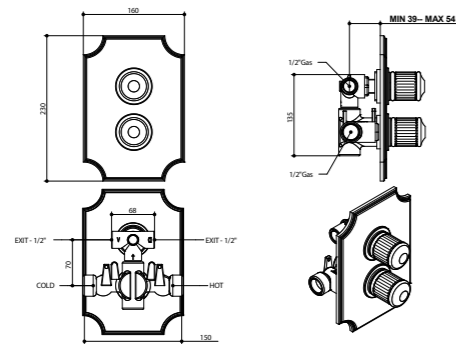
Non disponibile in BM - TT - BU - ON - FA - IM - NM - OM - HM - CM - NE - BI - AM / Not available BM - TT - BU - ON - FA - IM - NM - OM - HM - CM - NE - BI - AM

PROLUNGA / MIXER EXTENSION



04549 - 05549

Miscelatore termostatico incasso 1/2" con deviatore a 2 uscite. 1/2" built-in thermostatic mixer with 2 way diverter.



RICAMBI / SPARE PARTS



*Cartuccia miscelatrice / Mixer cartridge
 □ Cartuccia di apertura-chiusura e deviazione / Diverter and open-close cartridge

ARTICOLO COMPLETO / COMPLETE ITEM

04549CR00 - 05549CR00
 CR00/CR03/CR04/CR06/CR07/CR08/CR09

PARTE INCASSO / BUILT-IN PART
PARTE ESTERNA DA ABBINARE / EXTERNAL MATCHING PART

FINITURE / FINISHES

09728

04549CR00EU
05549CR00EU
 CR00/CR03/CR04/CR06/
 CR07/CR08/CR09

04549OR00EU
05549OR00EU
 OR00/OR03/OR04/OR06/
 OR07/OR08/OR09

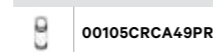
04549XXXEU
05549XXXEU *
 XXXX

* XXXX: Per tutte le altre combinazioni colore fattibili riferirsi a questa fascia di prezzo. / Refer to this line of price for all other realizable color combinations.

Portata a pressione dinamica 3 bar - 23 l/min - 38° Mix - 3 bar - 15 l/min - 38° Mix / Flow rates at dynamic pressure 3 bar - 23 l/min - 38° Mix - 3 bar - 15 l/min - 38° Mix

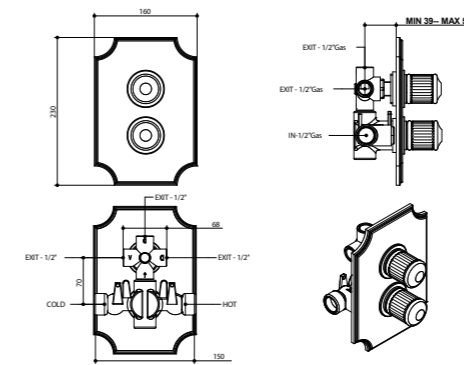
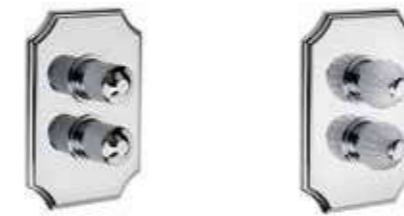
Non disponibile in BM - TT - BU - ON - FA - IM - NM - OM - HM - CM - NE - BI - AM / Not available BM - TT - BU - ON - FA - IM - NM - OM - HM - CM - NE - BI - AM

PROLUNGA / MIXER EXTENSION



04549/3 - 05549/3

Miscelatore termostatico incasso 1/2" con deviatore a 3 uscite. 1/2" built-in thermostatic mixer with 3 way diverter.



RICAMBI / SPARE PARTS



*Cartuccia miscelatrice / Mixer cartridge
 □ Cartuccia di apertura-chiusura e deviazione / Diverter and open-close

ARTICOLO COMPLETO / COMPLETE ITEM

04549CR0003 - 05549CR0003
 CR00/CR03/CR04/CR06/CR07/CR08/CR09

PARTE INCASSO / BUILT-IN PART
PARTE ESTERNA DA ABBINARE / EXTERNAL MATCHING PART

FINITURE / FINISHES

09728/03

04549CR0003EU
05549CR0003EU
 CR00/CR03/CR04/CR06/
 CR07/CR08/CR09

04549OR0003EU
05549OR0003EU
 OR00/OR03/OR04/OR06/
 OR07/OR08/OR09

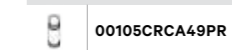
04549XXX03EU
05549XXX03EU *
 XXXX

* XXXX: Per tutte le altre combinazioni colore fattibili riferirsi a questa fascia di prezzo. / Refer to this line of price for all other realizable color combinations.

Portata a pressione dinamica 3 bar - 23 l/min - 38° Mix - 3 bar - 15 l/min - 38° Mix / Flow rates at dynamic pressure 3 bar - 23 l/min - 38° Mix - 3 bar - 15 l/min - 38° Mix

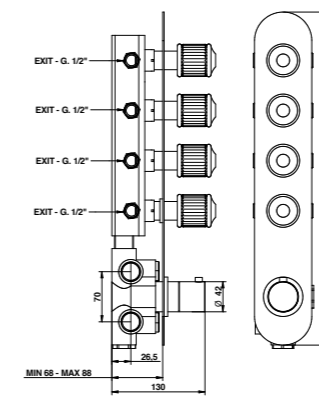
Non disponibile in BM - TT - BU - ON - FA - IM - NM - OM - HM - CM - NE - BI - AM / Not available BM - TT - BU - ON - FA - IM - NM - OM - HM - CM - NE - BI - AM

PROLUNGA / MIXER EXTENSION



04542/4 - 05542/4

Miscelatore termostatico incasso con 4 rubinetti di apertura/chiusura su piastra unica (4 uscite). Built-in thermostatic mixer with 4 open/close taps on single plate (4 out).



RICAMBI / SPARE PARTS



*Cartuccia miscelatrice / Mixer cartridge
 □ Cartuccia di apertura-chiusura / Open-close cartridge

ARTICOLO COMPLETO / COMPLETE ITEM

04542CR0004 - 05542CR0004
 CR00/CR03/CR04/CR06/CR07/CR08/CR09

PARTE INCASSO / BUILT-IN PART
PARTE ESTERNA DA ABBINARE / EXTERNAL MATCHING PART

FINITURE / FINISHES

09730/04

04542CR0004EU
05542CR0004EU
 CR00/CR03/CR04/CR06/
 CR07/CR08/CR09

04542OR0004EU
05542OR0004EU
 OR00/OR03/OR04/OR06/
 OR07/OR08/OR09

04542XXX04EU
05542XXX04EU *
 XXXX

* XXXX: Per tutte le altre combinazioni colore fattibili riferirsi a questa fascia di prezzo. / Refer to this line of price for all other realizable color combinations.

Portata a pressione dinamica 3 bar - 23 l/min / Flow rates at dynamic pressure 3 bar - 23 l/min

Non disponibile in BM - TT - BU - ON - FA - IM - NM - OM - HM - CM - NE - BI - AM / Not available BM - TT - BU - ON - FA - IM - NM - OM - HM - CM - NE - BI - AM

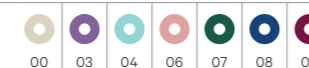
PROLUNGA / MIXER EXTENSION



FINITURE E COLORI / FINISHES AND COLOURS

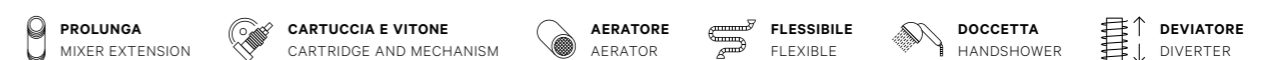


MANIGLIE IN CRISTALLO / CRYSTAL HANDLES



* Disponibile su richiesta / Available on demand

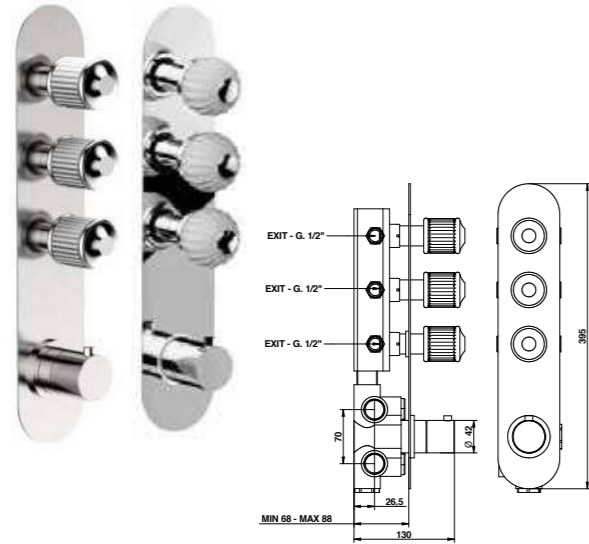
ACCESSORI E RICAMBI / ACCESSORIES AND SPARE PARTS



FLEUR - ACCESSORI IN ABBINAMENTO / MATCHING ACCESSORIES PAG.872

04542/3 - 05542/3 NEW

Miscelatore termostatico incasso con 3 rubinetti di apertura/chiusura su piastra unica (3 uscite). Built-in thermostatic mixer with 3 open/close taps on single plate (3 exits).



RICAMBI / SPARE PARTS

	09845 *		9794 □
--	---------	--	--------

* Cartuccia miscelatrice / Mixer cartridge
□ Cartuccia di apertura-chiusura / Open-close cartridge

ARTICOLO COMPLETO / COMPLETE ITEM

04542CR0003 - 05542CR0003
CR00/CR03/CR04/CR06/CR07/CR08/CR09

PARTE INCASSO BUILT-IN PART	PARTE ESTERNA DA ABBINARE EXTERNAL MATCHING PART
--------------------------------	---

09730/03

FINITURE / FINISHES

04542CR0003EU
05542CR0003EU
CR00/CR03/CR04/CR06/
CR07/CR08/CR09

04542OR0003EU
05542OR0003EU
OR00/OR03/OR04/OR06/
OR07/OR08/OR09

04542XXX03EU
05542XXX03EU *
XXXX

* XXXX: Per tutte le altre combinazioni colore fattibili riferirsi a questa fascia di prezzo. / Refer to this line of price for all other realizable color combinations.

Portata a pressione dinamica 3 bar - 23 l/min / Flow rates at dynamic pressure 3 bar - 23 l/min

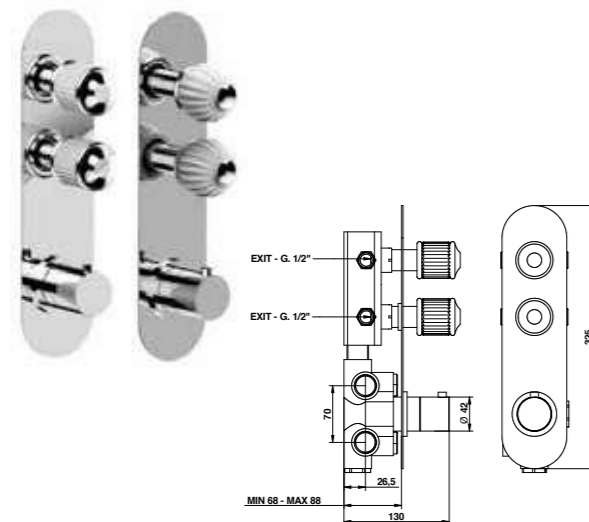
Non disponibile in BM - TT - BU - ON - FA - IM - NM - OM - HM - CM - NE - BI - AM / Not available BM - TT - BU - ON - FA - IM - NM - OM - HM - CM - NE - BI - AM

PROLUNGA / MIXER EXTENSION

	00112CRPR03
--	-------------

04542/2 - 05542/2 NEW

Miscelatore termostatico incasso con 2 rubinetti di apertura/chiusura su piastra unica (2 uscite). Built-in thermostatic mixer with 2 open/close taps on single plate (2 exits).



RICAMBI / SPARE PARTS

	09845 *		9794 □
--	---------	--	--------

* Cartuccia miscelatrice / Mixer cartridge
□ Cartuccia di apertura-chiusura / Open-close cartridge

ARTICOLO COMPLETO / COMPLETE ITEM

04542CR0002 - 05542CR0002
CR00/CR03/CR04/CR06/CR07/CR08/CR09

PARTE INCASSO BUILT-IN PART	PARTE ESTERNA DA ABBINARE EXTERNAL MATCHING PART
--------------------------------	---

09730/02

FINITURE / FINISHES

04542CR0002EU
05542CR0002EU
CR00/CR03/CR04/CR06/
CR07/CR08/CR09

04542OR0002EU
05542OR0002EU
OR00/OR03/OR04/OR06/
OR07/OR08/OR09

04542XXX02EU
05542XXX02EU *
XXXX

* XXXX: Per tutte le altre combinazioni colore fattibili riferirsi a questa fascia di prezzo. / Refer to this line of price for all other realizable color combinations.

Portata a pressione dinamica 3 bar - 23 l/min / Flow rates at dynamic pressure 3 bar - 23 l/min

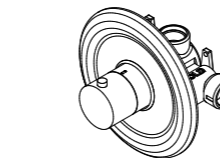
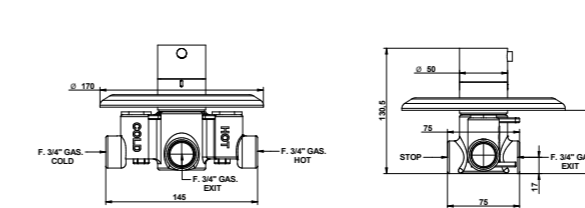
Non disponibile in BM - TT - BU - ON - FA - IM - NM - OM - HM - CM - NE - BI - AM / Not available BM - TT - BU - ON - FA - IM - NM - OM - HM - CM - NE - BI - AM

PROLUNGA / MIXER EXTENSION

	00112CRPR02
--	-------------

15554

Termostatico incasso da 3/4" senza chiusura. 3/4" built-in thermostatic shower mixer without lock.



ARTICOLO COMPLETO / COMPLETE ITEM

15554CR00
CR

PARTE INCASSO BUILT-IN PART	PARTE ESTERNA DA ABBINARE EXTERNAL MATCHING PART
--------------------------------	---

09700

FINITURE / FINISHES

15554CREU
CR

15554NSEU
NS/NE/PL/ON/
BU/BI/RB

15554OREU
OR/CO/CN

15554OPEU
OP/CM/IM/NM/
HM/OM/BM

15554XXEU *
XX

* XX: Per tutte le altre finiture fattibili riferirsi a questa fascia di prezzo. / Refer to this line of price for all other realizable finishes.

ABBINABILE A / TO MATCH WITH:
Rubinetto incasso / Built-in tap - ...500 - ...498

RICAMBI / SPARE PARTS

	9837
--	------

04526 - 05526

Gruppo vasca esterno con set doccia. External bath and shower mixer with shower set.

Dettaglio flessibili / Flexible details pag. 42



ARTICOLO COMPLETO / COMPLETE ITEM

04526CR00 - 05526CR00
CR00/CR03/CR04/CR06/CR07/CR08/CR09

04526OR00 - 05526OR00
OR00/OR03/OR04/OR06/CR07/CR08/CR09

04526XXX - 05526XXX *
XXXX

* XXXX: Per tutte le altre combinazioni colore fattibili riferirsi a questa fascia di prezzo. / Refer to this line of price for all other realizable color combinations.

Nelle varianti colore verniciate e satinare alcuni particolari saranno in finitura galvanica per garantire gli standard qualitativi. / To assure our quality standard on colored and satin product, some details remain in galvanic finishes.

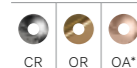
Non disponibile in BM - TT - BU - ON - FA - IM - NM - OM - HM - CM - NE - BI - AM / Not available BM - TT - BU - ON - FA - IM - NM - OM - HM - CM - NE - BI - AM

RICAMBI / SPARE PARTS

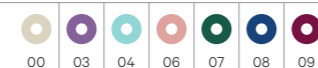
	9792 *		9792 □
	9600CR		00851CR00
	00117/DV		00851XX00 □
	9600XX00 ^		

* Calda / Hot
□ Fredda / Cold
□ Ricambio per finiture diverse dal cromo. / Spare part for different finishes.
^ Nelle finiture verniciate e satinare i flessibili verranno forniti con calotta in delrin nero. / For painted and matt finishes, the flexible hoses will be supplied with black delrin conical connection.

FINITURE E COLORI / FINISHES AND COLOURS



MANIGLIE IN CRISTALLO / CRYSTAL HANDLES



* Disponibile su richiesta / Available on demand

ACCESSORI E RICAMBI / ACCESSORIES AND SPARE PARTS



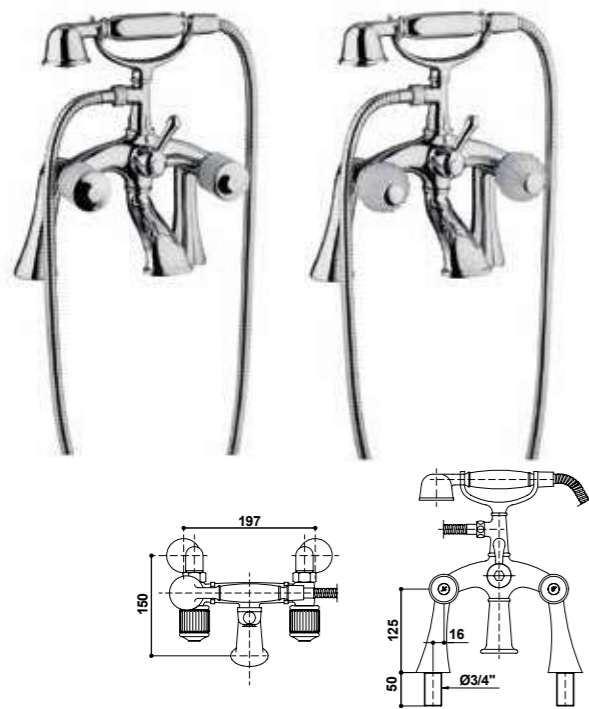
FLEUR - ACCESSORI IN ABBINAMENTO / MATCHING ACCESSORIES PAG.872

ROYALE 60 / IMPERO
FLEUR BLANC&NOIR
CRISTALLO / RIVOLI
RADIANT
AXEL
OXFORD LUX / MILLE NUITS
CAPRI
LA TOSCA
TURANDOT
CLASSIC

04527 - 05527

Gruppo vasca esterno su colonnette External bath and shower mixer on pillar connection with shower set.

Dettaglio flessibili / Flexible details pag. 42



ARTICOLO COMPLETO / COMPLETE ITEM

04527CR00 - 05527CR00
CR00/CR03/CR04/CR06/CR07/CR08/CR09

04527OR00 - 05527OR00
OR00/OR03/OR04/OR06/OR07/OR08/OR09

04527XXX - 05527XXX*
XXXX

* XXXX: Per tutte le altre combinazioni colore fattibili riferirsi a questa fascia di prezzo. / Refer to this line of price for all other realizable color combinations.

Non disponibile in BM - TT - BU - ON - FA - IM - NM - OM - HM - CM - NE - BI - AM / Not available BM - TT - BU - ON - FA - IM - NM - OM - HM - CM - NE - BI - AM

RICAMBI / SPARE PARTS

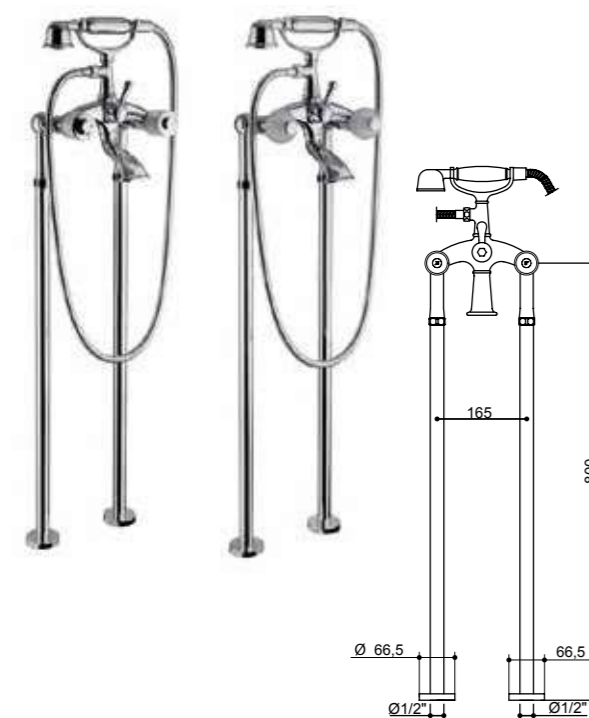
	9792 *		9792 □
	9600CR		00851CR00
	00117/DV		00851XX00 □
	9600XX00 ◊		

* Calda / Hot
 □ Fredda / Cold
 ◊ Ricambio per finiture diverse dal cromo. / Spare part for different finishes.
 * Nelle finiture verniciate e satinare i flessibili verranno forniti con calotta in delrin nero. / For painted and matt finishes, the flexible hoses will be supplied with black delrin conical connection.

04528 - 05528

Gruppo vasca esterno su colonnette Floor mounted bath and shower mixer da terra con set doccia. with shower set.

Dettaglio flessibili / Flexible details pag. 42



ARTICOLO COMPLETO / COMPLETE ITEM

04528CR00 - 05528CR00
CR00/CR03/CR04/CR06/CR07/CR08/CR09

04528OR00 - 05528OR00
OR00/OR03/OR04/OR06/OR07/OR08/OR09

04528XXX - 05528XXX*
XX

* XXXX: Per tutte le altre combinazioni colore fattibili riferirsi a questa fascia di prezzo. / Refer to this line of price for all other realizable color combinations.

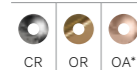
Non disponibile in BM - TT - BU - ON - FA - IM - NM - OM - HM - CM - NE - BI - AM / Not available BM - TT - BU - ON - FA - IM - NM - OM - HM - CM - NE - BI - AM

RICAMBI / SPARE PARTS

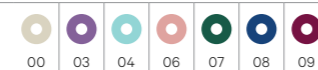
	9792 *		9792 □
	9600CR		00851CR00
	00117/DV		00851XX00 □
	9600XX00 ◊		

* Calda / Hot
 □ Fredda / Cold
 ◊ Ricambio per finiture diverse dal cromo. / Spare part for different finishes.
 * Nelle finiture verniciate e satinare i flessibili verranno forniti con calotta in delrin nero. / For painted and matt finishes, the flexible hoses will be supplied with black delrin conical connection.

FINITURE E COLORI / FINISHES AND COLOURS



MANIGLIE IN CRISTALLO / CRYSTAL HANDLES



* Disponibile su richiesta / Available on demand

04530/D - 05530/D

Gruppo vasca incasso con set doccia Built-in bath and shower mixer with duplex. duplex shower set.

Dettaglio flessibili / Flexible details pag. 42



ARTICOLO COMPLETO / COMPLETE ITEM

04530CR00D - 05530CR00D
CR00/CR03/CR04/CR06/CR07/CR08/CR09

PARTE INCASSO
BUILT-IN PART

PARTE ESTERNA DA ABBINARE
EXTERNAL MATCHING PART

FINITURE / FINISHES

09680

04530CR00DEU
05530CR00DEU
CR00/CR03/CR04/CR06/
CR07/CR08/CR09

04530OR00DEU
05530OR00DEU
OR00/OR03/OR04/OR06/
OR07/OR08/OR09

04530XXXDEU
05530XXXDEU*
XXXX

* XXXX: Per tutte le altre combinazioni colore fattibili riferirsi a questa fascia di prezzo. / Refer to this line of price for all other realizable color combinations.

Non disponibile in BM - TT - BU - ON - FA - IM - NM - OM - HM - CM - NE - BI - AM / Not available BM - TT - BU - ON - FA - IM - NM - OM - HM - CM - NE - BI - AM

PROLUNGA / MIXER EXTENSION

0008300CS
3 pz. per articolo Cad. / Each
/ 3 pcs needed

RICAMBI / SPARE PARTS

	9792 *		9792 □
	09997CR		9600CR
	00851CR00		00112DM
	00851XX00 □		9600XX00 ◊

* Calda / Hot
 □ Fredda / Cold
 ◊ Ricambio per finiture diverse dal cromo. / Spare part for different finishes.
 * Nelle finiture verniciate e satinare i flessibili verranno forniti con calotta in delrin nero. / For painted and matt finishes, the flexible hoses will be supplied with black delrin conical connection.

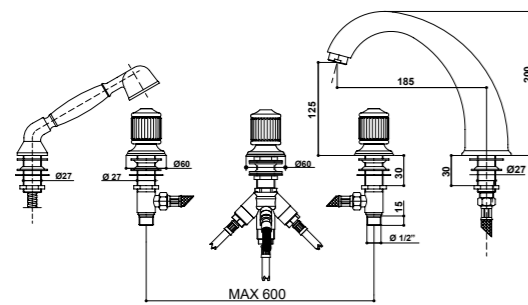
ACCESSORI E RICAMBI / ACCESSORIES AND SPARE PARTS

FLEUR - ACCESSORI IN ABBINAMENTO / MATCHING ACCESSORIES PAG.872



04531/D - 05531/D

Gruppo bordo vasca cinque fori con set doccia. Five holes deck bath and shower mixer with shower set.



ARTICOLO COMPLETO / COMPLETE ITEM

04531CR000D - 05531CR000D
CR00/CR03/CR04/CR06/CR07/CR08/CR09

04531OR000D - 05531OR000D
OR00/OR03/OR04/OR06/CR07/OR08/OR09

04531XXX0D - 05531XXX0D *
XXXX

* XXXX: Per tutte le altre combinazioni colore fattibili riferirsi a questa fascia di prezzo. / Refer to this line of price for all other realizable color combinations.

Non disponibile in BM - TT - BU - ON - FA - IM - NM - OM - HM - CM - NE - BI - AM / Not available BM - TT - BU - ON - FA - IM - NM - OM - HM - CM - NE - BI - AM

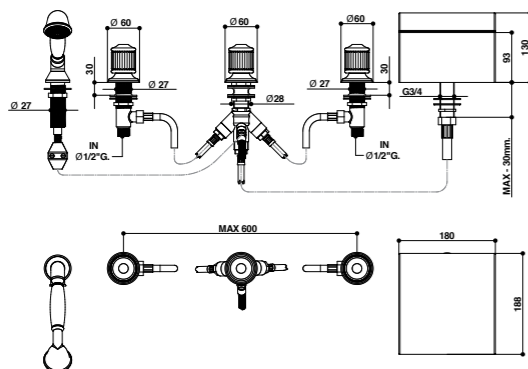
RICAMBI / SPARE PARTS

9792 *	9792 □
09997CR	09607CR
00851CRBV	00112VI
00851XXBV □	

* Calda / Hot
□ Fredda / Cold
□ Ricambio per finiture diverse dal cromo. / Spare part for different finishes.

04535/D - 05535/D

Gruppo bordo vasca con bocca a cascata e set doccia. Five holes deck bath and shower mixer with waterfall spout and shower set.



ARTICOLO COMPLETO / COMPLETE ITEM

04535CR000D - 05535CR000D
CR00/CR03/CR04/CR06/CR07/CR08/CR09

04535OR000D - 05535OR000D
OR00/OR03/OR04/OR06/CR07/OR08/OR09

04535XXX0D - 05535XXX0D *
XXXX

* XXXX: Per tutte le altre combinazioni colore fattibili riferirsi a questa fascia di prezzo. / Refer to this line of price for all other realizable color combinations.

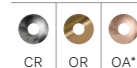
Non disponibile in BM - TT - BU - ON - FA - IM - NM - OM - HM - CM - NE - BI - AM / Not available BM - TT - BU - ON - FA - IM - NM - OM - HM - CM - NE - BI - AM

RICAMBI / SPARE PARTS

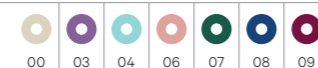
9792 *	9792 □
09607CR	00851CRBV
00112VI	00851XXBV □

* Calda / Hot
□ Fredda / Cold
□ Ricambio per finiture diverse dal cromo. / Spare part for different finishes.

FINITURE E COLORI / FINISHES AND COLOURS



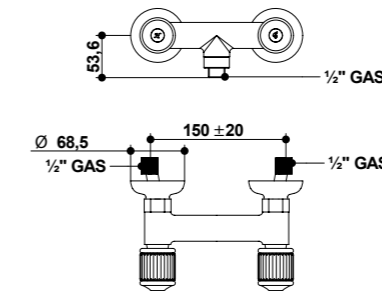
MANIGLIE IN CRISTALLO / CRYSTAL HANDLES



* Disponibile su richiesta / Available on demand

04523 - 05523

Gruppo doccia esterno. External shower mixer.



ARTICOLO COMPLETO / COMPLETE ITEM

04523CR00 - 05523CR00
CR00/CR03/CR04/CR06/CR07/CR08/CR09

04523OR00 - 05523OR00
OR00/OR03/CR04/OR06/CR07/OR08/OR09

04523XXX - 05523XXX *
XXXX

* XXXX: Per tutte le altre combinazioni colore fattibili riferirsi a questa fascia di prezzo. / Refer to this line of price for all other realizable color combinations.

ABBINABILE A / TO MATCH WITH:
Asta saliscendi / Sliding rail - 871
Set doccia / Set duplex - 831

Non disponibile in BM - TT - BU - ON - FA - IM - NM - OM - HM - CM - NE - BI - AM / Not available BM - TT - BU - ON - FA - IM - NM - OM - HM - CM - NE - BI - AM

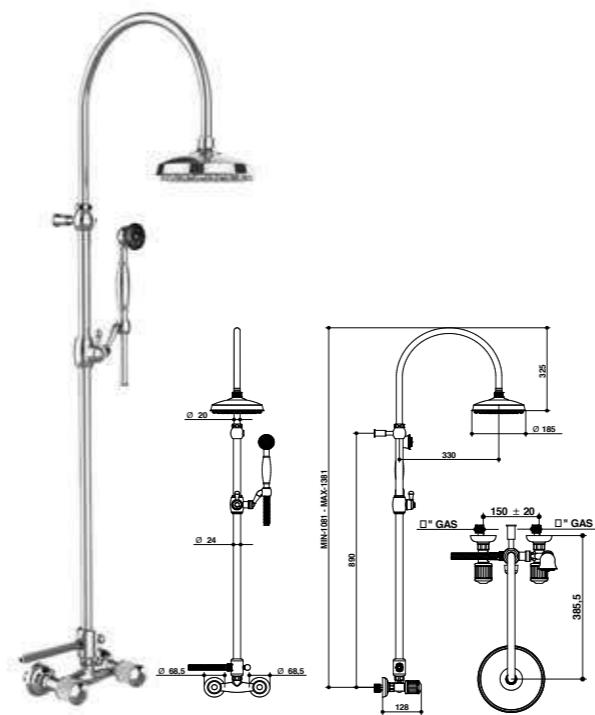
RICAMBI / SPARE PARTS

9792 *	9792 □
--------	--------

* Calda / Hot
□ Fredda / Cold

04537/D - 05537/D

Gruppo doccia esterno con tubo, soffione e set doccia duplex. External shower mixer with tube, shower head and duplex shower set.



ARTICOLO COMPLETO / COMPLETE ITEM

04537CR000D - 05537CR000D
CR00/CR03/CR04/CR06/CR07/CR08/CR09

04537OR000D - 05537OR000D
OR00/OR03/OR04/OR06/CR07/OR08/OR09

04537XXX0D - 05537XXX0D *
XXXX

* XXXX: Per tutte le altre combinazioni colore fattibili riferirsi a questa fascia di prezzo. / Refer to this line of price for all other realizable color combinations.

Non disponibile in BM - TT - BU - ON - FA - IM - NM - OM - HM - CM - NE - BI - AM / Not available BM - TT - BU - ON - FA - IM - NM - OM - HM - CM - NE - BI - AM

RICAMBI / SPARE PARTS

9792 *	9792 □
10860CR	9600CR
00851CR00	121CRCL
00851XX00 □	9600XX00 □
10860XX00 □	

* Calda / Hot
□ Fredda / Cold
□ Ricambio per finiture diverse dal cromo. / Spare part for different finishes.
* Nelle finiture verniciate e satinare i flessibili verranno forniti con calotta in delrin nero. / For painted and matt finishes, the flexible hoses will be supplied with black delrin conical connection.

ACCESSORI E RICAMBI / ACCESSORIES AND SPARE PARTS



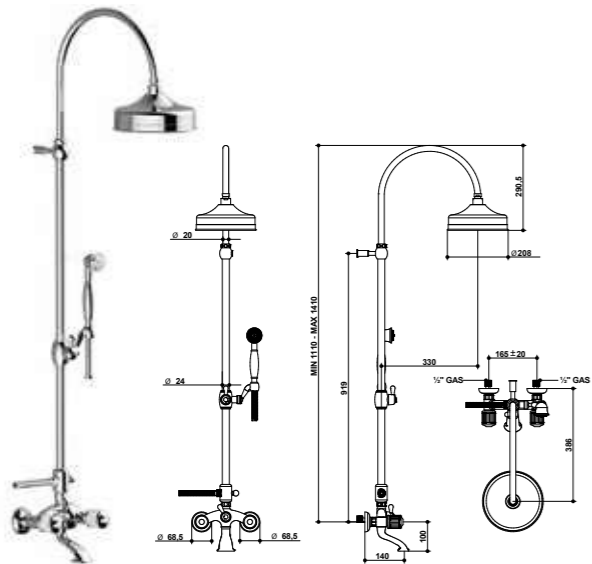
FLEUR - ACCESSORI IN ABBINAMENTO / MATCHING ACCESSORIES PAG.872

ROYALE 60 / IMPERO
FLEUR BLANC&NOIR
CRISTALLO / RIVOLI
RADIANT
AXEL
OXFORD LUX / MILLE NUITS
CAPRI
LA TOSCA
TURANDOT
CLASSIC

04536/D - 05536/D

Gruppo vasca/doccia esterno con tubo, soffione, e set doccia duplex. External bath/shower mixer with tube, shower head and duplex shower set.

Dettaglio flessibili / Flexible details pag. 42



Nelle varianti colore verniciate e satinare alcuni particolari saranno in finitura galvanica per garantire gli standard qualitativi. / To assure our quality standard on colored and satin product, some details remain in galvanic finishes.

ARTICOLO COMPLETO / COMPLETE ITEM

04536CR000D - 05536CR000D
CR00/CR03/CR04/CR06/CR07/CR08/CR09

04536OR000D - 05536OR000D
OR00/OR03/CR04/CR06/CR07/CR08/CR09

04536XXX0D - 05536XXX0D *
XXXX

* XXXX: Per tutte le altre combinazioni colore fattibili riferirsi a questa fascia di prezzo. / Refer to this line of price for all other realizable color combinations.

Non disponibile in BM - TT - BU - ON - FA - IM - NM - OM - HM - CM - NE - BI - AM / Not available BM - TT - BU - ON - FA - IM - NM - OM - HM - CM - NE - BI - AM

RICAMBI / SPARE PARTS

9792 *	9792 □
10860CR00	9600CR
00851CR00	121CRCL
00117-DV	9600XX00 □
10860XX00 ◊	00851XX00 ◊

* Calda / Hot

◊ Fredda / Cold

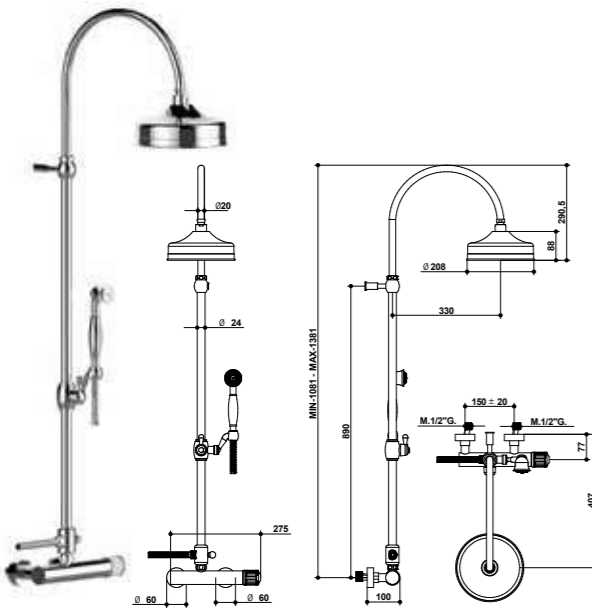
◻ Nelle finiture verniciate e satinare i flessibili verranno forniti con calotta in delrin nero. / For painted and matt finishes, the flexible hoses will be supplied with black delrin conical connection.

◊ Ricambio per finiture diverse dal cromo. / Spare part for different finishes.

04555/D - 05555/D

Miscelatore doccia esterno con tubo, soffione, e set doccia duplex. External shower mixer with tube, shower head and duplex shower set.

Dettaglio flessibili / Flexible details pag. 42



Nelle varianti colore verniciate e satinare alcuni particolari saranno in finitura galvanica per garantire gli standard qualitativi. / To assure our quality standard on colored and satin product, some details remain in galvanic finishes.

ARTICOLO COMPLETO / COMPLETE ITEM

04555CR000D - 05555CR000D
CR00/CR03/CR04/CR06/CR07/CR08/CR09

04555OR000D - 05555OR000D
OR00/OR03/CR04/CR06/CR07/CR08/CR09

04555XXX0D - 05555XXX0D *
XXXX

* XXXX: Per tutte le altre combinazioni colore fattibili riferirsi a questa fascia di prezzo. / Refer to this line of price for all other realizable color combinations.

Non disponibile in BM - TT - BU - ON - FA - IM - NM - OM - HM - CM - NE - BI - AM / Not available BM - TT - BU - ON - FA - IM - NM - OM - HM - CM - NE - BI - AM

RICAMBI / SPARE PARTS

9813	10860CR
00121CRCL	9600CR
9600XX00 *	00851CR00
00851XX00 ◊	10860XX00 ◊

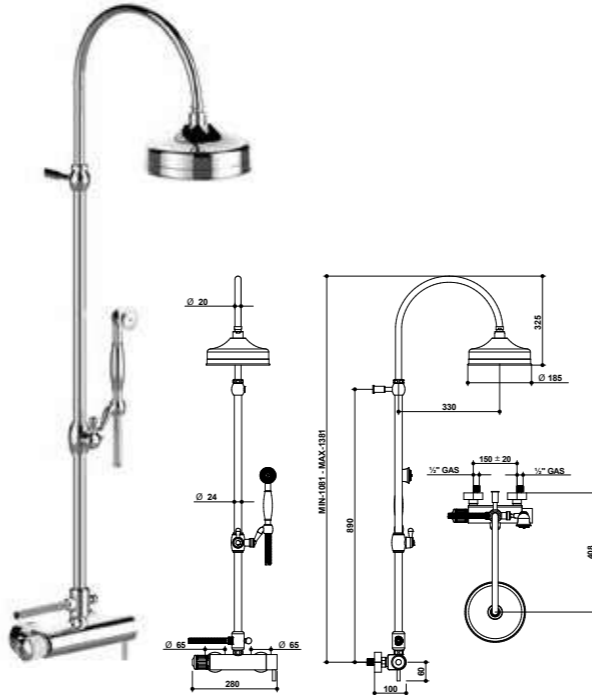
* Nelle finiture verniciate e satinare i flessibili verranno forniti con calotta in delrin nero. / For painted and matt finishes, the flexible hoses will be supplied with black delrin conical connection.

◊ Ricambio per finiture diverse dal cromo. / Spare part for different finishes.

04547/ D - 05547/D

Gruppo doccia esterno termostatico con tubo, soffione e set doccia duplex. External shower thermostatic with tube, shower head and duplex shower set.

Dettaglio flessibili / Flexible details pag. 42



ARTICOLO COMPLETO / COMPLETE ITEM

04547CR000D - 05547CR000D
CR00/CR03/CR04/CR06/CR07/CR08/CR09

04547OR000D - 05547OR000D
OR00/OR03/CR04/CR06/CR07/CR08/CR09

04547XXX0D - 05547XXX0D *
XXXX

* XXXX: Per tutte le altre combinazioni colore fattibili riferirsi a questa fascia di prezzo. / Refer to this line of price for all other realizable color combinations.

Non disponibile in BM - TT - ON - FA - IM - NM - OM - HM - CM - NE / Not available BM - TT - ON - FA - IM - NM - OM - HM - CM - NE

RICAMBI / SPARE PARTS

8900ES *	9792 □
10860CR	00121CRCL
9600CR	9600XX00 ◊
00851CR00	00851XX00 ◊
10860XX00 ◊	

* Cartuccia miscelatrice / Mixer cartridge

◊ Cartuccia di apertura-chiusura / Open-close cartridge

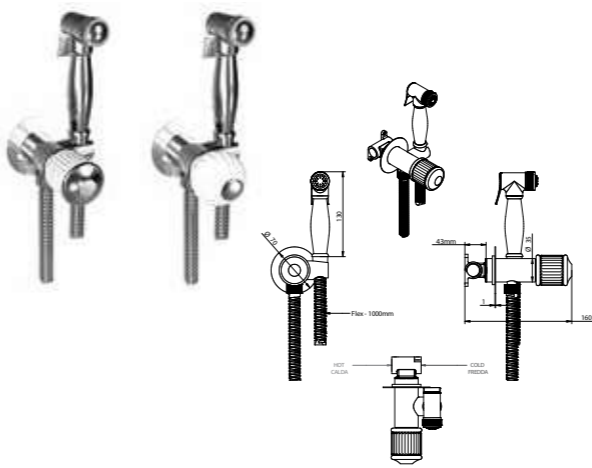
◻ Nelle finiture verniciate e satinare i flessibili verranno forniti con calotta in delrin nero. / For painted and matt finishes, the flexible hoses will be supplied with black delrin conical connection.

◊ Ricambio per finiture diverse dal cromo. / Spare part for different finishes.

04916 - 05916

Set doccia bidet per wc ad incasso con miscelatore progressivo integrato Shattaff shower set for wc with integrated progressive mixer and hand shower.

Dettaglio flessibili / Flexible details pag. 42



ARTICOLO COMPLETO / COMPLETE ITEM

04916CR00 - 05916CR00
CR00/CR03/CR04/CR06/CR07/CR08/CR09

PARTE INCASSO / BUILT-IN PART **PARTE ESTERNA DA ABBINARE / EXTERNAL MATCHING PART**

04916/CP

FINITURE / FINISHES

04916CR00EU
05916CR00EU
CR00/CR03/CR04/CR06/CR07/CR08/CR09

04916OR00EU
05916OR00EU
OR00/OR03/CR04/CR06/CR07/CR08/CR09

04916XXX0EU
05916XXX0EU *
XXXX

* XXXX: Per tutte le altre combinazioni colore fattibili riferirsi a questa fascia di prezzo. / Refer to this line of price for all other realizable color combinations.

Non disponibile in BM - TT - BU - ON - FA - IM - NM - OM - HM - CM - NE - BI - AM / Not available BM - TT - BU - ON - FA - IM - NM - OM - HM - CM - NE - BI - AM

PROLUNGA / MIXER EXTENSION

00916CRPR

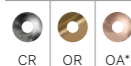
RICAMBI / SPARE PARTS

9820	09610CR
00902CRDO	9605XXPV *
00902XXDO ◊	

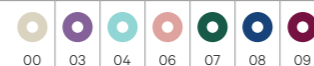
* Nelle finiture verniciate e satinare i flessibili verranno forniti con calotta in delrin nero. / For painted and matt finishes, the flexible hoses will be supplied with black delrin conical connection.

◊ Ricambio per finiture diverse dal cromo. / Spare part for different finishes.

FINITURE E COLORI / FINISHES AND COLOURS



MANIGLIE IN CRISTALLO / CRYSTAL HANDLES



* Disponibile su richiesta / Available on demand

ACCESSORI E RICAMBI / ACCESSORIES AND SPARE PARTS



FLEUR - ACCESSORI IN ABBINAMENTO / MATCHING ACCESSORIES PAG.872

RADIANT

DESIGN CENTER DIRECTED BY
ANTONIO BONGIO

#GOLDENAGE



LUXURY ATTRACTION



LUSO SUBLIME

Sublime luxury

Con le sue forme classiche, i dettagli ricercati anche negli accessori coordinati e la finitura oro, Radiant è simbolo di una nuova eleganza, lussuosa ma raffinata. Una collezione preziosa, che porta la cura del dettaglio ai massimi livelli, pensata per ambienti residenziali e commerciali esclusivi, dal fascino sublime.

With its classical forms and the elegant details also visible in the matching accessories and gold finish, Radiant is the symbol of a new elegance, luxurious and yet refined. A precious collection that brings the attention to detail to the highest levels and that has been conceived for exclusive residential and commercial spaces with a sublime appeal.

1. Art. 02501OR00
2. Art. 02004CO00
3. Art. 02007CO50



LAVABO / WASHBASIN
Art. 02521OROO

INFORMAZIONI TECNICHE

Technical details



VITONI: La serie Radiant è dotata di vitoni a dischi ceramici 1/4 giro e di diverse tipologie di cartucce: cartuccia Ø 25 mm e cartuccia Ø 35 mm senza distributore. La temperatura d'impianto non deve superare i 70°C. La pressione di esercizio dell'impianto consigliata è di 3 bar.

EROGAZIONE: La serie Radiant ha un tipo di erogazione morbida. **I lavabi e i bidet sono forniti con limitatore di portata da 6l/m, permettendo un notevole risparmio d'acqua.**

INSTALLAZIONE: Tutti gli articoli ad incasso Bongio completi sono forniti di relative parti incasso.

Gli articoli doccia e vasca esterni hanno un interasse di 15±20 mm.

Per gli articoli lavabo e bidet, monoforo e tre fori, da installarsi su piano, devono essere realizzati fori Ø 35 mm massimo.

MECHANISM: Radiant series has 1/4' turn ceramic disc mechanism and different kind of cartridges: Ø 25 mms. and Ø 35 mms. without distributor. The temperature of the plant should not exceed 70 degrees. The suggested working pressure of the plant has to be 3 bar.

SUPPLY: Radiant series serie has a soft supply. **Basin and bidet mixers have a standard limitation of flow to 6l/m which reduces the water waste.**

INSTALLATION: All the built-in Bongio items are available with universal raw built-in body.

All the external shower and bath mixers have the 15±20 mms interaxe.

For the basin and bidet mixers - single or three holes - to be place on top deck, they require Ø 35 mms maximum holes.

FINITURE E COLORI / FINISHES AND COLOURS

DETTAGLI / MORE INFO PAG. 38



CR
Cromo
Chrome



NI
Nichel Lucido
Light Nickel



NS
Nichel Spazzolato
Brushed Nickel



PL
Platinum
Platinum



OR
Oro 24kt
24kt Gold



CO
Cromo + Oro
Chrome + Gold



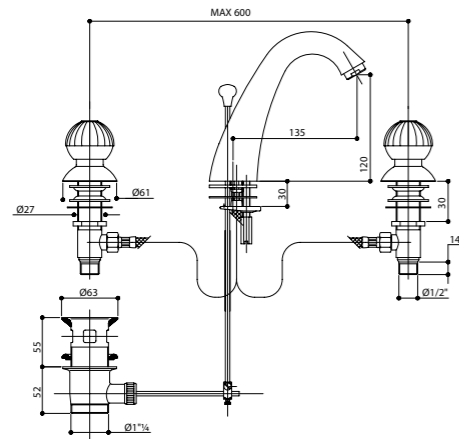
OA*
Oro Rosa
Rose Gold

* Disponibile su richiesta / Available on request

02501

Gruppo lavabo tre fori completo di scarico 1.1/4".

Three holes basin mixer with 1.1/4" pop-up waste.



ARTICOLO COMPLETO / COMPLETE ITEM

02501CR00
CR

02501CO00
CO

02501OR00
OR/PL/NS/NI

02501XX00 *
XX

* XX: Per tutte le altre finiture fattibili riferirsi a questa fascia di prezzo. / Refer to this line of price for all other realizable finishes.

Non disponibile in TT - BU - ON - FA - IM - NM - OM - HM - CM - AM / Not available TT - BU - ON - FA - IM - NM - OM - HM - CM - AM

ABBINABILE A / TO MATCH WITH:
Sifone / Siphon - 00065CR00

RICAMBI / SPARE PARTS

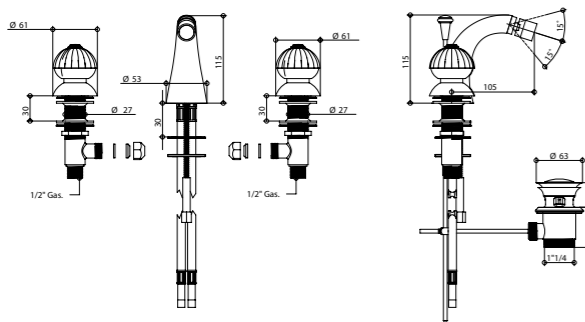
	9792 *		9792 □
	9998CR		

* Calda / Hot
□ Fredda / Cold

02503

Gruppo bidet tre fori con bocca completo di scarico 1.1/4".

Three holes bidet mixer with 1.1/4" pop-up waste.



ARTICOLO COMPLETO / COMPLETE ITEM

02503CR00
CR

02503CO00
CO

02503OR00
OR/PL/NS/NI

02503XX00 *
XX

* XX: Per tutte le altre finiture fattibili riferirsi a questa fascia di prezzo. / Refer to this line of price for all other realizable finishes.

Non disponibile in TT - BU - ON - FA - IM - NM - OM - HM - CM - AM / Not available TT - BU - ON - FA - IM - NM - OM - HM - CM - AM

ABBINABILE A / TO MATCH WITH:
Sifone / Siphon - 00066CR00

RICAMBI / SPARE PARTS

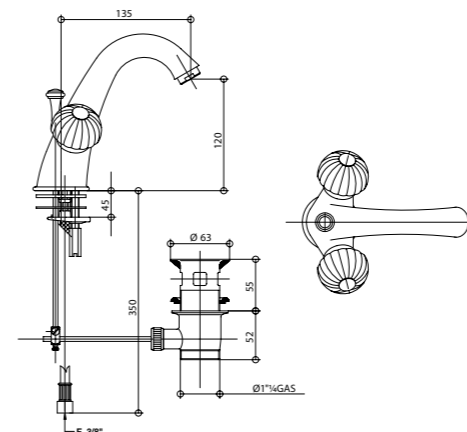
	9792 *		9792 □
	9979CR		

* Calda / Hot
□ Fredda / Cold

02521

Monoforo lavabo completo di scarico 1.1/4".

Single hole basin mixer with 1.1/4" pop-up waste.



ARTICOLO COMPLETO / COMPLETE ITEM

02521CR00
CR

02521CO00
CO

02521OR00
OR/PL/NS/NI

02521XX00 *
XX

* XX: Per tutte le altre finiture fattibili riferirsi a questa fascia di prezzo. / Refer to this line of price for all other realizable finishes.

Non disponibile in TT - BU - ON - FA - IM - NM - OM - HM - CM - AM / Not available TT - BU - ON - FA - IM - NM - OM - HM - CM - AM

ABBINABILE A / TO MATCH WITH:
Sifone / Siphon - 00065CR00

PROLUNGA / MIXER EXTENSION

	945CR15
--	---------

RICAMBI / SPARE PARTS

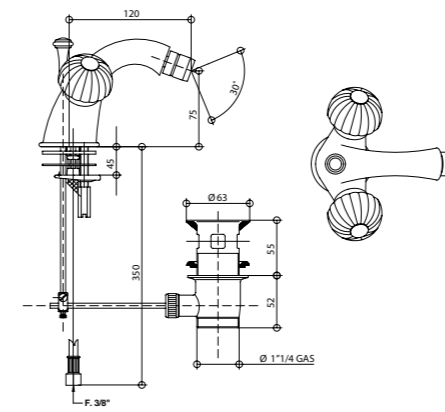
	9792 *		9791 □
	9998CR		

* Calda / Hot
□ Fredda / Cold

02522

Monoforo bidet completo di scarico 1.1/4".

Single hole bidet mixer 1.1/4" pop-up waste.



ARTICOLO COMPLETO / COMPLETE ITEM

02522CR00
CR

02522CO00
CO

02522OR00
OR/PL/NS/NI

02522XX00 *
XX

* XX: Per tutte le altre finiture fattibili riferirsi a questa fascia di prezzo. / Refer to this line of price for all other realizable finishes.

Non disponibile in TT - BU - ON - FA - IM - NM - OM - HM - CM - AM / Not available TT - BU - ON - FA - IM - NM - OM - HM - CM - AM

ABBINABILE A / TO MATCH WITH:
Sifone / Siphon - 00066CR00

RICAMBI / SPARE PARTS

	9792 *		9791 □
	9978CR		

* Calda / Hot
□ Fredda / Cold

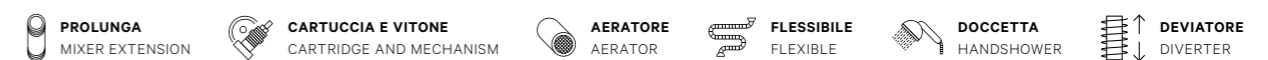
FINITURE E COLORI / FINISHES AND COLOURS



ACCESSORI COORDINATI / CO-ORDINATED ACCESSORIES PAG. 880

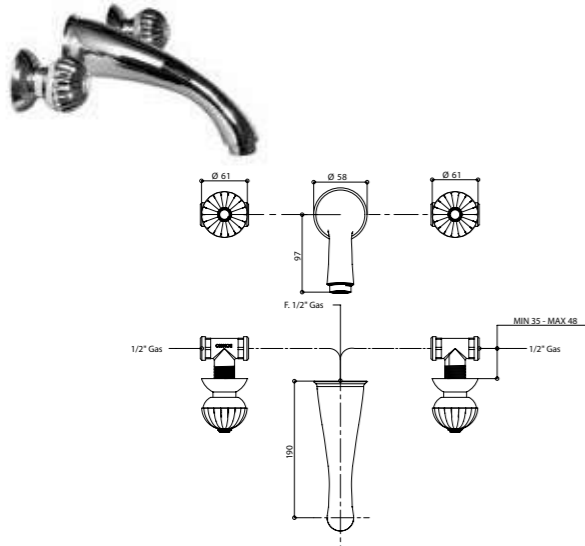
* Disponibile su richiesta / Available on demand

ACCESSORI E RICAMBI / ACCESSORIES AND SPARE PARTS



02538

Gruppo lavabo incasso a parete, bocca 190 mm. / Wall basin mixer with mms. 190 spout.



RICAMBI / SPARE PARTS	
9792 *	9792 □
9998CR	

*Calda / Hot
□Fredda / Cold

ARTICOLO COMPLETO / COMPLETE ITEM

02538CR00
CR

PARTE INCASSO BUILT-IN PART	PARTE ESTERNA DA ABBINARE EXTERNAL MATCHING PART
--------------------------------	---

FINITURE / FINISHES

09767	02538CREU CR
	02538COEU CO
	02538OREU OR/PL/NS/NI
	02538XXEU * XX

* XX: Per tutte le altre finiture fattibili riferirsi a questa fascia di prezzo. / Refer to this line of price for all other realizable finishes.

Non disponibile in TT - BU - ON - FA - IM - NM - OM - HM - CM - AM / Not available TT - BU - ON - FA - IM - NM - OM - HM - CM - AM

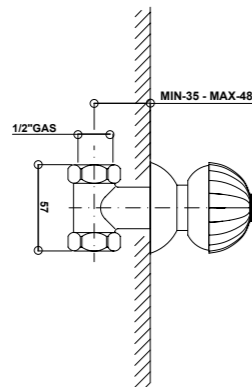
ABBINABILE A / TO MATCH WITH:
Sifone / Siphon - **00065CR00**
Piletta clic-clac / Clic-clac waste - **00079CR00**

PROLUNGA / MIXER EXTENSION

0008300CS	
2 pz. per articolo / 2 pcs needed	Cad. / Each

02500

Rubinetti incasso 1/2". / 1/2" built-in tap.



ARTICOLO COMPLETO / COMPLETE ITEM

02500CR00
CR

PARTE INCASSO BUILT-IN PART	PARTE ESTERNA DA ABBINARE EXTERNAL MATCHING PART
--------------------------------	---

FINITURE / FINISHES

09777	02500CREU CR
09777	02500COEU CO
	02500OREU OR/PL/NS/NI
	02500XXEU * XX

* XX: Per tutte le altre finiture fattibili riferirsi a questa fascia di prezzo. / Refer to this line of price for all other realizable finishes.

Non disponibile in TT - BU - ON - FA - IM - NM - OM - HM - CM - AM / Not available TT - BU - ON - FA - IM - NM - OM - HM - CM - AM

PROLUNGA / MIXER EXTENSION

0008300CS	
------------------	--

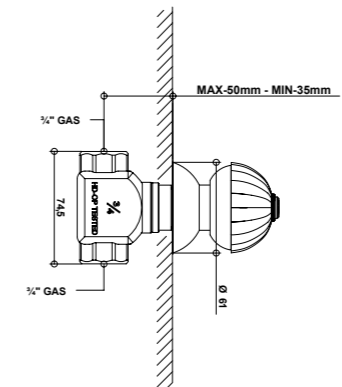
RICAMBI / SPARE PARTS

9792 *	9792 □
--------	--------

*Calda / Hot
□Fredda / Cold

02498

Rubinetti incasso da 3/4" vitone tradizionale. / 3/4" built-in tap traditional mechanism.



ARTICOLO COMPLETO / COMPLETE ITEM

02498CR00
CR

PARTE INCASSO BUILT-IN PART	PARTE ESTERNA DA ABBINARE EXTERNAL MATCHING PART
--------------------------------	---

FINITURE / FINISHES

09772	02498CREU CR
09772	02498COEU CO
	02498OREU OR/PL/NS/NI
	02498XXEU * XX

* XX: Per tutte le altre finiture fattibili riferirsi a questa fascia di prezzo. / Refer to this line of price for all other realizable finishes.

Non disponibile in TT - BU - ON - FA - IM - NM - OM - HM - CM - AM / Not available TT - BU - ON - FA - IM - NM - OM - HM - CM - AM

PROLUNGA / MIXER EXTENSION

0008300CS	
------------------	--

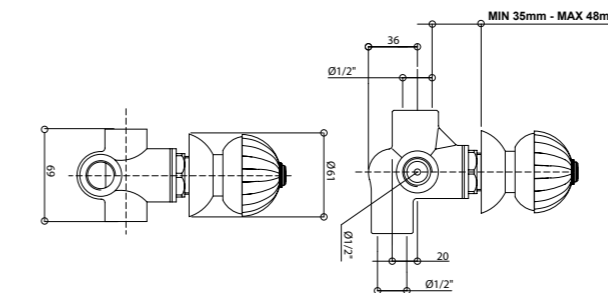
RICAMBI / SPARE PARTS

9804 *	9804 □
---------------	---------------

*Calda / Hot
□Fredda / Cold

02525

Deviatore 2 uscite (2 entrate 2 uscite). / 2 exit built-in diverter (2 in - 2 out).



ARTICOLO COMPLETO / COMPLETE ITEM

02525CR00
CR

PARTE INCASSO BUILT-IN PART	PARTE ESTERNA DA ABBINARE EXTERNAL MATCHING PART
--------------------------------	---

FINITURE / FINISHES

09496	02525CREU CR
	02525COEU CO
	02525OREU OR/PL/NS/NI
	02525XXEU * XX

* XX: Per tutte le altre finiture fattibili riferirsi a questa fascia di prezzo. / Refer to this line of price for all other realizable finishes.

Non disponibile in TT - BU - ON - FA - IM - NM - OM - HM - CM - AM / Not available TT - BU - ON - FA - IM - NM - OM - HM - CM - AM

PROLUNGA / MIXER EXTENSION

0008300CS	
------------------	--

RICAMBI / SPARE PARTS

00112DM	
----------------	--

FINITURE E COLORI / FINISHES AND COLOURS



ACCESSORI COORDINATI / CO-ORDINATED ACCESSORIES PAG. 880

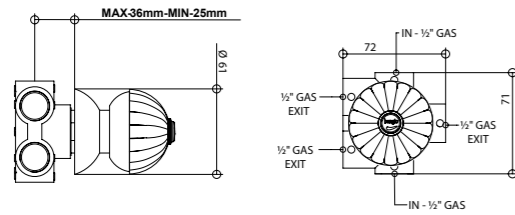
* Disponibile su richiesta / Available on demand

ACCESSORI E RICAMBI / ACCESSORIES AND SPARE PARTS



02525/5

Deviatore 3 uscite (2 entrate 3 uscite). 3 exit diverter (2 in - 3 out).



ARTICOLO COMPLETO / COMPLETE ITEM

02525CR05
CR

PARTE INCASSO / BUILT-IN PART **PARTE ESTERNA DA ABBINARE** / EXTERNAL MATCHING PART

FINITURE / FINISHES	
09495	02525CR05EU CR
	02525CO05EU CO
	02525OR05EU OR/PL/NS/NI
	02525XX05EU * XX

* XX: Per tutte le altre finiture fattibili riferirsi a questa fascia di prezzo. / Refer to this line of price for all other realizable finishes.

Non disponibile in TT - BU - ON - FA - IM - NM - OM - HM - CM - AM / Not available TT - BU - ON - FA - IM - NM - OM - HM - CM - AM

PROLUNGA / MIXER EXTENSION

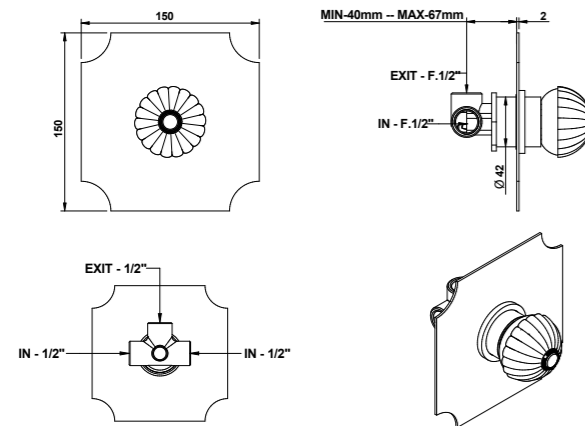
0008300CS

RICAMBI / SPARE PARTS

00113DM

02524

Miscelatore incasso con cartuccia progressiva. Built-in mixer with progressive cartridge.



ARTICOLO COMPLETO / COMPLETE ITEM

02524CR00
CR

PARTE INCASSO / BUILT-IN PART **PARTE ESTERNA DA ABBINARE** / EXTERNAL MATCHING PART

FINITURE / FINISHES	
09862/PG	02524CREU CR
	02524COEU CO
	02524OREU OR/PL/NS/NI
	02524XXEU * XX

* XX: Per tutte le altre finiture fattibili riferirsi a questa fascia di prezzo. / Refer to this line of price for all other realizable finishes.

Non disponibile in TT - BU - ON - FA - IM - NM - OM - HM - CM - AM / Not available TT - BU - ON - FA - IM - NM - OM - HM - CM - AM

PROLUNGA / MIXER EXTENSION

00100CRPRPR

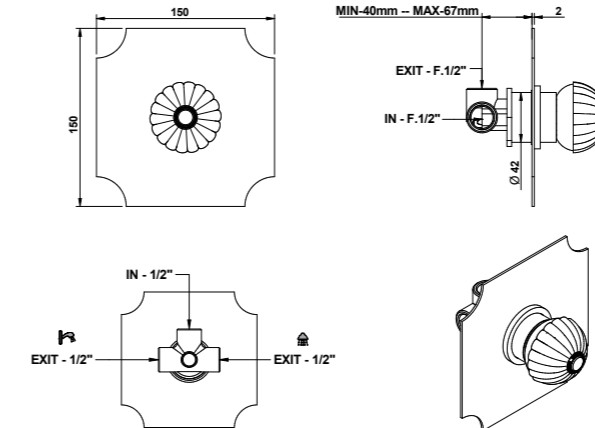
OPTIONAL: Scatola incasso per cartongesso / Built-in box for drywall and cavity wall **09702PBOX**

RICAMBI / SPARE PARTS

9822

02556

Deviatore 2 uscite (1 entrata - 2 uscite). 2 exit diverter (1 in - 2 out).



ARTICOLO COMPLETO / COMPLETE ITEM

02556CR00
CR

PARTE INCASSO / BUILT-IN PART **PARTE ESTERNA DA ABBINARE** / EXTERNAL MATCHING PART

FINITURE / FINISHES	
09491/2	02556CREU CR
	02556COEU CO
	02556OREU OR/PL/NS/NI
	02556XXEU * XX

* XX: Per tutte le altre finiture fattibili riferirsi a questa fascia di prezzo. / Refer to this line of price for all other realizable finishes.

Non disponibile in TT - BU - ON - FA - IM - NM - OM - HM - CM - AM / Not available TT - BU - ON - FA - IM - NM - OM - HM - CM - AM

PROLUNGA / MIXER EXTENSION

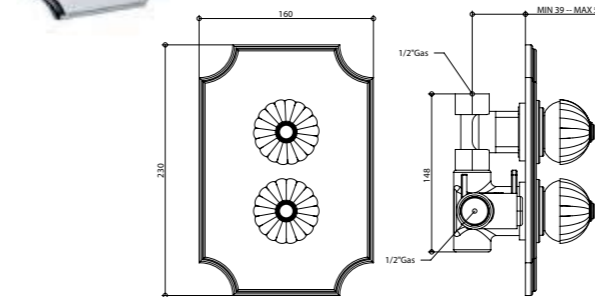
00109CRPR

RICAMBI / SPARE PARTS

9808/2

02544

Miscelatore termostatico incasso 1/2". 1/2" built-in thermostatic mixer.



ARTICOLO COMPLETO / COMPLETE ITEM

02544CR00
CR

PARTE INCASSO / BUILT-IN PART **PARTE ESTERNA DA ABBINARE** / EXTERNAL MATCHING PART

FINITURE / FINISHES	
09787	02544CREU CR
	02544COEU CO
	02544OREU OR/PL/NS/NI
	02544XXEU * XX

* XX: Per tutte le altre finiture fattibili riferirsi a questa fascia di prezzo. / Refer to this line of price for all other realizable finishes.

Portata a pressione dinamica 3 bar - 32 l/min - 38° Mix / Flow rates at dynamic pressure 3 bar - 32 l/min - 38° Mix

Non disponibile in TT - BU - ON - FA - IM - NM - OM - HM - CM - AM / Not available TT - BU - ON - FA - IM - NM - OM - HM - CM - AM

PROLUNGA / MIXER EXTENSION

00105CRCAPR

RICAMBI / SPARE PARTS

8900TM *

9788

* Cartuccia miscelatrice / Mixer cartridge
 ◻ Cartuccia di apertura-chiusura / Open-close cartridge

FINITURE E COLORI / FINISHES AND COLOURS



ACCESSORI COORDINATI / CO-ORDINATED ACCESSORIES PAG. 880

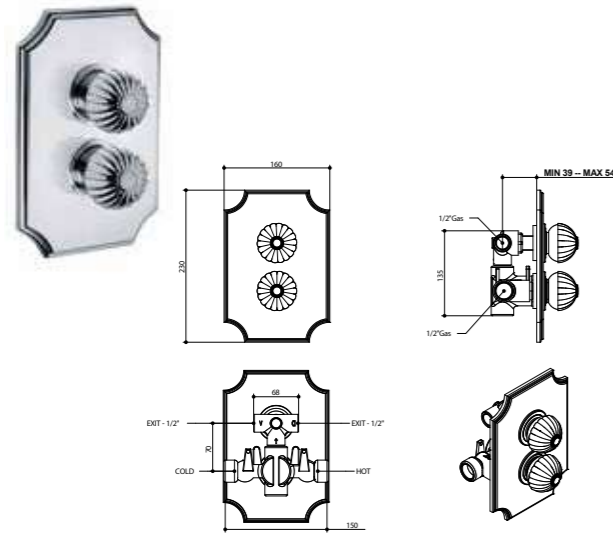
* Disponibile su richiesta / Available on demand

ACCESSORI E RICAMBI / ACCESSORIES AND SPARE PARTS



02549

Miscelatore termostatico incasso 1/2" con deviatore a 2 uscite. 1/2" built-in thermostatic mixer with 2 way diverter.



RICAMBI / SPARE PARTS

8900TM *	9788/02 □
----------	-----------

* Cartuccia miscelatrice / Mixer cartridge
 □ Cartuccia di apertura-chiusura e deviazione / Diverter and open-close cartridge

ARTICOLO COMPLETO / COMPLETE ITEM

02549CR00
CR

PARTE INCASSO BUILT-IN PART	PARTE ESTERNA DA ABBINARE EXTERNAL MATCHING PART
--------------------------------	---

FINITURE / FINISHES

09728	02549CREU CR
	02549COEU CO
	02549OREU OR/PL/NS/NI
	02549XXEU * XX

* XX: Per tutte le altre finiture fattibili riferirsi a questa fascia di prezzo. / Refer to this line of price for all other realizable finishes.

Portata a pressione dinamica 3 bar - 23 l/min - 38° Mix - 3 bar - 15 l/min - 38° Mix / Flow rates at dynamic pressure 3 bar - 23 l/min - 38° Mix - 3 bar - 15 l/min - 38° Mix

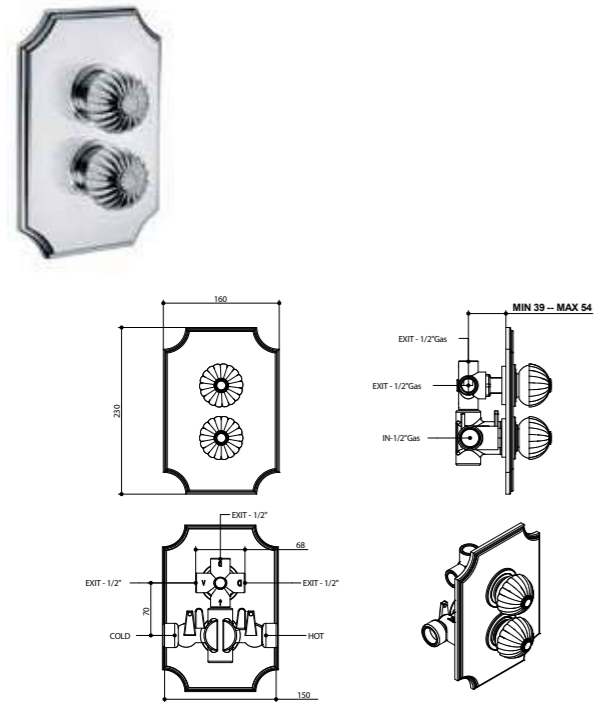
Non disponibile in TT - BU - ON - FA - IM - NM - OM - HM - CM - AM / Not available TT - BU - ON - FA - IM - NM - OM - HM - CM - AM

PROLUNGA / MIXER EXTENSION

00105CRCA49PR

02549/3

Miscelatore termostatico incasso 1/2" con deviatore a 3 uscite. 1/2" built-in thermostatic mixer with 3 way diverter.



FINITURE E COLORI / FINISHES AND COLOURS



ARTICOLO COMPLETO / COMPLETE ITEM

02549CR03
CR

PARTE INCASSO BUILT-IN PART	PARTE ESTERNA DA ABBINARE EXTERNAL MATCHING PART
--------------------------------	---

FINITURE / FINISHES

09728/03	02549CR03EU CR
	02549CO03EU CO
	02549OR03EU OR/PL/NS/NI
	02549XX03EU * XX

* XX: Per tutte le altre finiture fattibili riferirsi a questa fascia di prezzo. / Refer to this line of price for all other realizable finishes.

Portata a pressione dinamica 3 bar - 23 l/min - 38° Mix - 3 bar - 15 l/min - 38° Mix / Flow rates at dynamic pressure 3 bar - 23 l/min - 38° Mix - 3 bar - 15 l/min - 38° Mix

Non disponibile in TT - BU - ON - FA - IM - NM - OM - HM - CM - AM / Not available TT - BU - ON - FA - IM - NM - OM - HM - CM - AM

PROLUNGA / MIXER EXTENSION

00105CRCA49PR

RICAMBI / SPARE PARTS

8900TM *	9788/03 □
----------	-----------

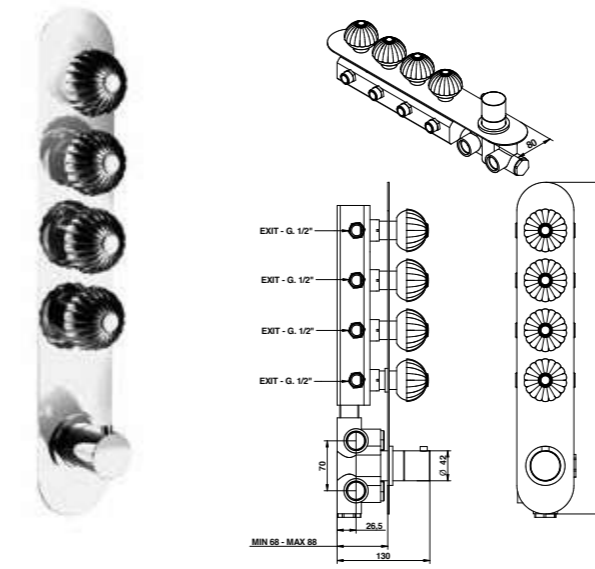
* Cartuccia miscelatrice / Mixer cartridge
 □ Cartuccia di apertura-chiusura e deviazione / Diverter and open-close cartridge

ACCESSORI COORDINATI / CO-ORDINATED ACCESSORIES PAG. 880

* Disponibile su richiesta / Available on demand

02542/4

Miscelatore termostatico incasso con 4 rubinetti di apertura/chiusura su piastra unica 4 uscite. Built-in thermostatic mixer with 4 open-close taps on single plate 4 way.



RICAMBI / SPARE PARTS

9845 *	9794 □
--------	--------

* Cartuccia miscelatrice / Mixer cartridge
 □ Cartuccia di apertura-chiusura / Open-close cartridge

ARTICOLO COMPLETO / COMPLETE ITEM

02542CR04
CR

PARTE INCASSO BUILT-IN PART	PARTE ESTERNA DA ABBINARE EXTERNAL MATCHING PART
--------------------------------	---

FINITURE / FINISHES

09730/04	02542CR04EU CR
	02542CO04EU CO
	02542OR04EU OR/PL/NS/NI
	02542XX04EU * XX

* XX: Per tutte le altre finiture fattibili riferirsi a questa fascia di prezzo. / Refer to this line of price for all other realizable finishes.

Portata a pressione dinamica 3 bar - 23 l/min / Flow rates at dynamic pressure 3 bar - 23 l/min

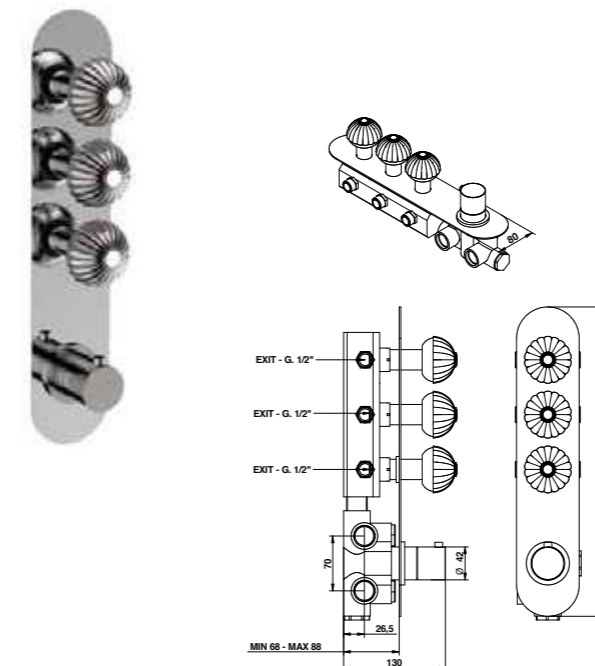
Non disponibile in TT - BU - ON - FA - IM - NM - OM - HM - CM - AM - BM / Not available TT - BU - ON - FA - IM - NM - OM - HM - CM - AM - BM

PROLUNGA / MIXER EXTENSION

0112CRPR04

02542/3 NEW

Miscelatore termostatico incasso con 3 rubinetti di apertura/chiusura su piastra unica (3 uscite). Built-in thermostatic mixer with 3 open/close taps on single plate (3 exits).



ACCESSORI E RICAMBI / ACCESSORIES AND SPARE PARTS



ARTICOLO COMPLETO / COMPLETE ITEM

02542CR03
CR

PARTE INCASSO BUILT-IN PART	PARTE ESTERNA DA ABBINARE EXTERNAL MATCHING PART
--------------------------------	---

FINITURE / FINISHES

09730/03	02542CR03EU CR
	02542CO03EU CO
	02542OR03EU OR/PL/NS/NI
	02542XX03EU * XX

* XX: Per tutte le altre finiture fattibili riferirsi a questa fascia di prezzo. / Refer to this line of price for all other realizable finishes.

Portata a pressione dinamica 3 bar - 23 l/min / Flow rates at dynamic pressure 3 bar - 23 l/min

Non disponibile in TT - BU - ON - FA - IM - NM - OM - HM - CM - AM - BM / Not available TT - BU - ON - FA - IM - NM - OM - HM - CM - AM - BM

PROLUNGA / MIXER EXTENSION

00112CRPR03

RICAMBI / SPARE PARTS

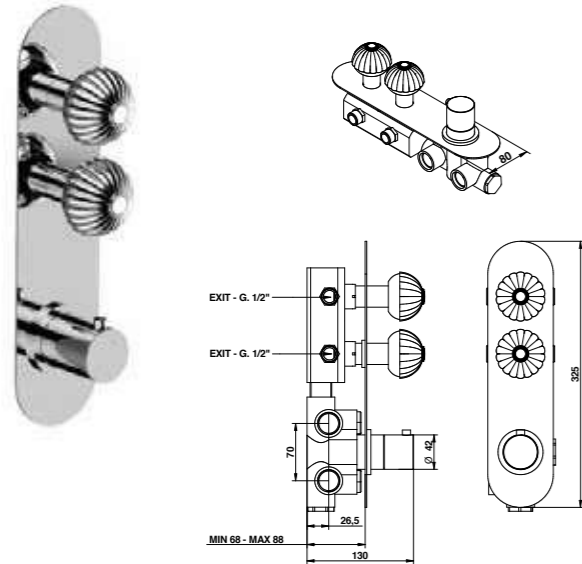
09845 *	9794 □
---------	--------

* Cartuccia miscelatrice / Mixer cartridge
 □ Cartuccia di apertura-chiusura / Open-close cartridge

02542/2 NEW

Miscelatore termostatico incasso con 2 rubinetti di apertura/chiusura su piastra unica (2 uscite).

Built-in thermostatic mixer with 2 open/close taps on single plate (2 exits).



RICAMBI / SPARE PARTS

	09845 *		9794 □
--	----------------	--	---------------

* Cartuccia miscelatrice / Mixer cartridge
□ Cartuccia di apertura-chiusura / Open-close cartridge

ARTICOLO COMPLETO / COMPLETE ITEM

02542CR02
CR

PARTE INCASSO BUILT-IN PART	PARTE ESTERNA DA ABBINARE EXTERNAL MATCHING PART
--------------------------------	---

FINITURE / FINISHES

09730/02	02542CR02EU CR
	02542CO02EU CO
	02542OR02EU OR/PL/NS/NI
	02542XX02EU * XX

* XX: Per tutte le altre finiture fattibili riferirsi a questa fascia di prezzo. / Refer to this line of price for all other realizable finishes.

Portata a pressione dinamica 3 bar - 23 l/min / Flow rates at dynamic pressure 3 bar - 23 l/min

Non disponibile in TT - BU - ON - FA - IM - NM - OM - HM - CM - AM - BM / Not available TT - BU - ON - FA - IM - NM - OM - HM - CM - AM - BM

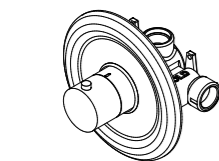
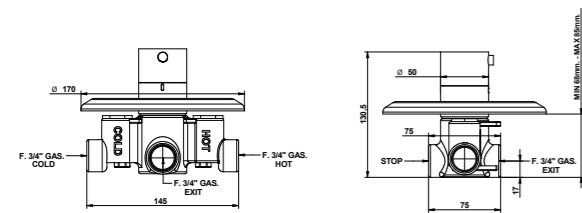
PROLUNGA / MIXER EXTENSION

	00112CRPR02
--	--------------------

15554

Termostatico incasso da 3/4" senza chiusura.

3/4" built-in thermostatic shower mixer without lock.



ARTICOLO COMPLETO / COMPLETE ITEM

15554CR00
CR

PARTE INCASSO BUILT-IN PART	PARTE ESTERNA DA ABBINARE EXTERNAL MATCHING PART
--------------------------------	---

FINITURE / FINISHES

09700	15554CREU CR
	15554NSEU NS/NE/PL/ON/ BU/BI/RB
	15554OREU OR/CO/CN
	15554OPEU OP/CM/IM/NM/ HM/OM/BM
	15554XXEU * XX

* XX: Per tutte le altre finiture fattibili riferirsi a questa fascia di prezzo. / Refer to this line of price for all other realizable finishes.

ABBINABILE A / TO MATCH WITH:
Rubinetto incasso / Built-in tap - ...500 - ...498

RICAMBI / SPARE PARTS

	9837
--	-------------

FINITURE E COLORI / FINISHES AND COLOURS



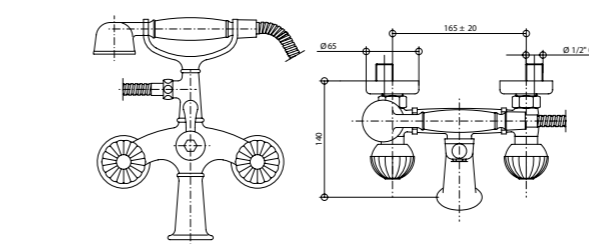
ACCESSORI COORDINATI / CO-ORDINATED ACCESSORIES PAG. 880

* Disponibile su richiesta / Available on demand

02526

Gruppo vasca esterno con set doccia. External bath and shower mixer with shower set.

Dettaglio flessibili / Flexible details pag. 42



ARTICOLO COMPLETO / COMPLETE ITEM

02526CR00
CR

02526CO00
CO

02526OR00
OR/PL/NS/NI

02526XX00 *
XX

* XX: Per tutte le altre finiture fattibili riferirsi a questa fascia di prezzo. / Refer to this line of price for all other realizable finishes.

Non disponibile in TT - BU - ON - FA - IM - NM - OM - HM - CM - AM / Not available TT - BU - ON - FA - IM - NM - OM - HM - CM - AM

RICAMBI / SPARE PARTS

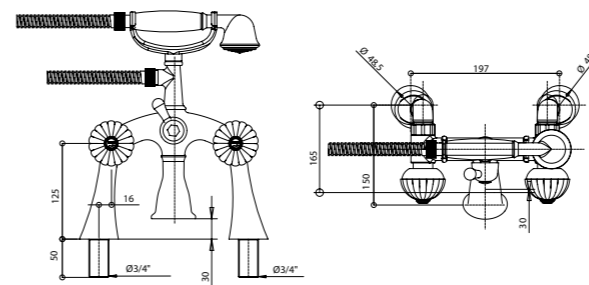
	9792 *		9792 □
	9600CR		00851CR00
	0011700DV		00851XX00 □
	9600XX00 *		

* Calda / Hot
□ Fredda / Cold
□ Ricambio per finiture diverse dal cromo. / Spare part for different finishes.
* Nelle finiture verniciate e satinare i flessibili verranno forniti con calotta in delrin nero. / For painted and matt finishes, the flexible hoses will be supplied with black delrin conical connection.

02527

Gruppo vasca esterno su colonnette con set doccia. External bath and shower mixer on pillar connection with shower set.

Dettaglio flessibili / Flexible details pag. 42



ARTICOLO COMPLETO / COMPLETE ITEM

02527CR00
CR

02527CO00
CO

02527OR00
OR/PL/NS/NI

02527XX00 *
XX

* XX: Per tutte le altre finiture fattibili riferirsi a questa fascia di prezzo. / Refer to this line of price for all other realizable finishes.

Non disponibile in TT - BU - ON - FA - IM - NM - OM - HM - CM - AM / Not available TT - BU - ON - FA - IM - NM - OM - HM - CM - AM

RICAMBI / SPARE PARTS

	9792 *		9792 □
	9600CR		00851CR00
	0011700DV		00851XX00 □
	9600XX00 *		

* Calda / Hot
□ Fredda / Cold
□ Ricambio per finiture diverse dal cromo. / Spare part for different finishes.
* Nelle finiture verniciate e satinare i flessibili verranno forniti con calotta in delrin nero. / For painted and matt finishes, the flexible hoses will be supplied with black delrin conical connection.

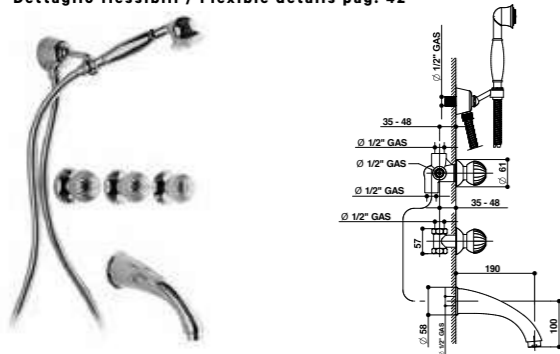
ACCESSORI E RICAMBI / ACCESSORIES AND SPARE PARTS



02530/D

Gruppo vasca incasso con set doccia duplex. Built-in bath and shower mixer with duplex shower set.

Dettaglio flessibili / Flexible details pag. 42



RICAMBI / SPARE PARTS

9792 *	9792 □
09997CR	9600CR
00851CR00	00112DM
00851XX00 □	9600XX00 ▲

* Calda / Hot
 □ Fredda / Cold
 □ Ricambio per finiture diverse dal cromo. / Spare part for different finishes.
 ▲ Nelle finiture verniciate e satinare i flessibili verranno forniti con calotta in delrin nero. / For painted and matt finishes, the flexible hoses will be supplied with black delrin conical connection.

ARTICOLO COMPLETO / COMPLETE ITEM

02530CR0D
 CR

PARTE INCASSO / BUILT-IN PART **PARTE ESTERNA DA ABBINARE** / EXTERNAL MATCHING PART

FINITURE / FINISHES

09680

02530CRODEU
 CR

02530CO0DEU
 CO

02530OR0DEU
 OR/PL/NS/NI

02530XX0DEU *
 XX

* XX: Per tutte le altre finiture fattibili riferirsi a questa fascia di prezzo. / Refer to this line of price for all other realizable finishes.

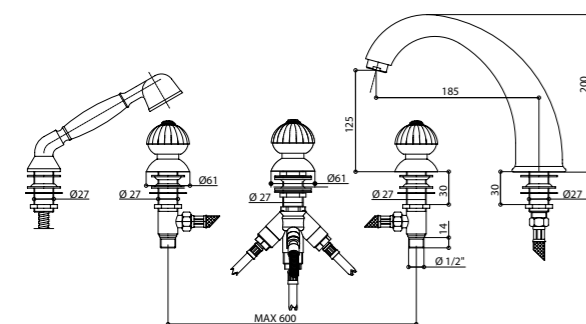
Non disponibile in TT - BU - ON - FA - IM - NM - OM - HM - CM - AM / Not available TT - BU - ON - FA - IM - NM - OM - HM - CM - AM

PROLUNGA / MIXER EXTENSION

0008300CS
 3 pz. per articolo / 3 pcs needed Cad. / Each

02531/D

Gruppo bordo vasca cinque fori con set doccia. Five holes deck bath and shower mixer with shower set.



ARTICOLO COMPLETO / COMPLETE ITEM

02531CR0D
 CR

02531CO0D
 CO

02531OR0D
 OR/PL/NS/NI

02531XX0D *
 XX

* XX: Per tutte le altre finiture fattibili riferirsi a questa fascia di prezzo. / Refer to this line of price for all other realizable finishes.

Non disponibile in TT - BU - ON - FA - IM - NM - OM - HM - CM - AM / Not available TT - BU - ON - FA - IM - NM - OM - HM - CM - AM

RICAMBI / SPARE PARTS

9792 *	9792 □
09997CR	09607CR
00851CRBV	00112VI
00851XXBV □	

* Calda / Hot
 □ Fredda / Cold
 □ Ricambio per finiture diverse dal cromo. / Spare part for different finishes.

FINITURE E COLORI / FINISHES AND COLOURS

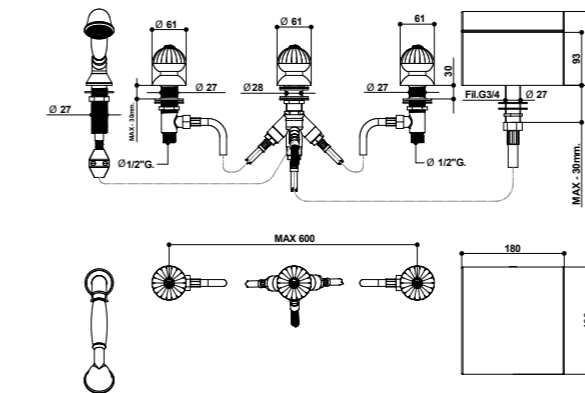


ACCESSORI COORDINATI / CO-ORDINATED ACCESSORIES PAG. 880

* Disponibile su richiesta / Available on demand

02535/D

Gruppo bordo vasca cinque fori con bocca a cascata e set doccia. Five holes deck bath and shower mixer with wate fall spout and shower set.



ARTICOLO COMPLETO / COMPLETE ITEM

02535CR0D
 CR

02535CO0D
 CO

02535OR0D
 OR/PL/NS/NI

02535XX0D *
 XX

* XX: Per tutte le altre finiture fattibili riferirsi a questa fascia di prezzo. / Refer to this line of price for all other realizable finishes.

Non disponibile in TT - BU - ON - FA - IM - NM - OM - HM - CM - AM / Not available TT - BU - ON - FA - IM - NM - OM - HM - CM - AM

RICAMBI / SPARE PARTS

9792 *	9792 □
09997CR	09607CR
00851CRBV	00112VI
00851XXBV □	

* Calda / Hot
 □ Fredda / Cold
 □ Ricambio per finiture diverse dal cromo. / Spare part for different finishes.

02528

Gruppo vasca esterno su colonnette da terra con set doccia. Floor mounted bath and shower mixer with shower set.

Dettaglio flessibili / Flexible details pag. 42



ARTICOLO COMPLETO / COMPLETE ITEM

02528CR00
 CR

02528CO00
 CO

02528OR00
 OR/PL/NS/NI

02528XX00 *
 XX

* XX: Per tutte le altre finiture fattibili riferirsi a questa fascia di prezzo. / Refer to this line of price for all other realizable finishes.

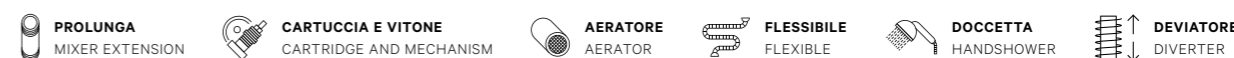
Non disponibile in TT - BU - ON - FA - IM - NM - OM - HM - CM - AM / Not available TT - BU - ON - FA - IM - NM - OM - HM - CM - AM

RICAMBI / SPARE PARTS

9792 *	9792 □
9600CR	00851CR00
0011700DV	00851XX00 □
9600XX00 ▲	

* Calda / Hot
 □ Fredda / Cold
 □ Ricambio per finiture diverse dal cromo. / Spare part for different finishes.
 ▲ Nelle finiture verniciate e satinare i flessibili verranno forniti con calotta in delrin nero. / For painted and matt finishes, the flexible hoses will be supplied with black delrin conical connection.

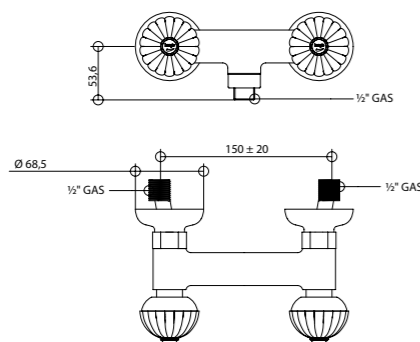
ACCESSORI E RICAMBI / ACCESSORIES AND SPARE PARTS



ROYALE 60 / IMPERO
 FLEUR BLANC&NOIR
 CRISTALLO / RIVOLI
 RADIANT
 AXEL
 OXFORD LUX / MILLE NUITS
 CAPRI
 LA TOSCA
 TURANDOT
 CLASSIC

02523

Gruppo doccia esterno. External shower mixer.



ARTICOLO COMPLETO / COMPLETE ITEM

- 02523CR00**
CR
- 02523CO00**
CO
- 02523OR00**
OR/PL/NS/NI
- 02523XX00 ***
XX

* XX: Per tutte le altre finiture fattibili riferirsi a questa fascia di prezzo. / Refer to this line of price for all other realizable finishes.

Non disponibile in TT - BU - ON - FA - IM - NM - OM - HM - CM - AM / Not available TT - BU - ON - FA - IM - NM - OM - HM - CM - AM

ABBINABILE A / TO MATCH WITH:
Saliscendi / Sliding rail - **871**
Set doccia / Set duplex - **831**

RICAMBI / SPARE PARTS

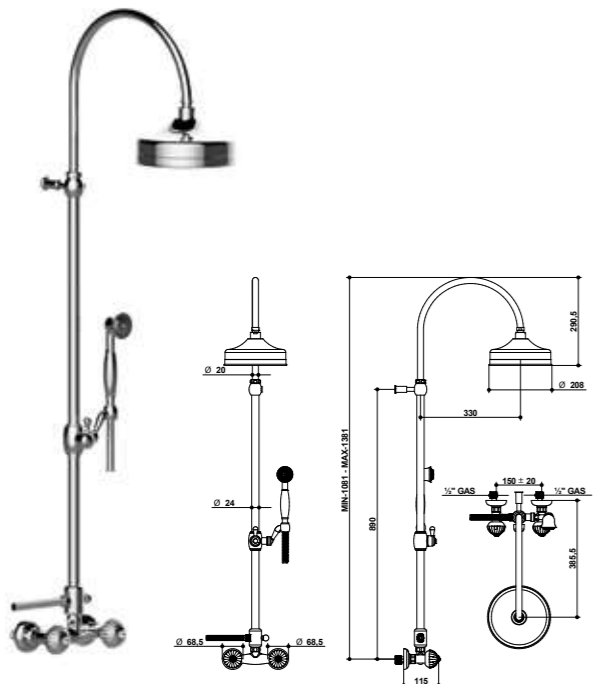
	9792 *		9792 □
--	---------------	--	---------------

* Calda / Hot
□ Fredda / Cold

02537/D

Gruppo doccia esterno con tubo, soffione e set doccia duplex. External shower mixer with tube, shower head and duplex shower set.

Dettaglio flessibili / Flexible details pag. 42



ARTICOLO COMPLETO / COMPLETE ITEM

- 02537CR0D**
CR
- 02537CO0D**
CO
- 02537OR0D**
OR/PL/NS/NI
- 02537XX0D ***
XX

* XX: Per tutte le altre finiture fattibili riferirsi a questa fascia di prezzo. / Refer to this line of price for all other realizable finishes.

Non disponibile in TT - BU - ON - FA - IM - NM - OM - HM - CM - AM / Not available TT - BU - ON - FA - IM - NM - OM - HM - CM - AM

RICAMBI / SPARE PARTS

	9792 *		9792 □
	10860CR		9600CR
	00851CR00		121CRCL
	00851XX00 □		9600XX00 □
	10860XX00 □		

* Calda / Hot
□ Fredda / Cold
□ Ricambio per finiture diverse dal cromo. / Spare part for different finishes.
□ Nelle finiture verniciate e satinare i flessibili verranno forniti con calotta in delrin nero. / For painted and matt finishes, the flexible hoses will be supplied with black delrin conical connection.

FINITURE E COLORI / FINISHES AND COLOURS



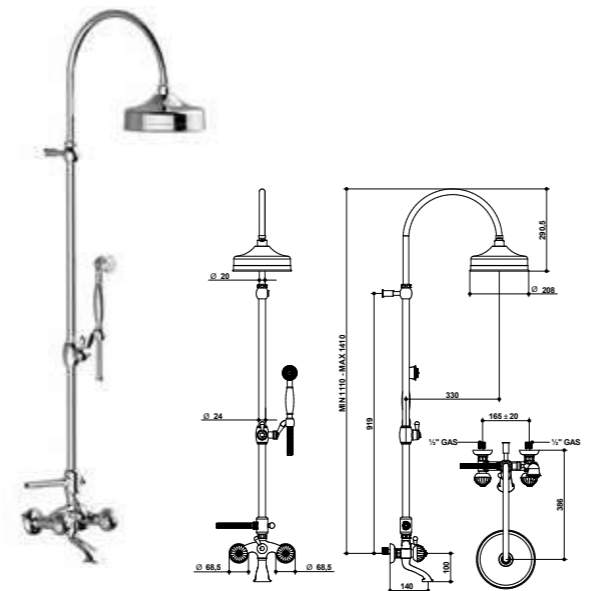
ACCESSORI COORDINATI / CO-ORDINATED ACCESSORIES PAG. 880

* Disponibile su richiesta / Available on demand

02536/D

Gruppo vasca doccia esterno con tubo, soffione, e set doccia duplex. External bath shower mixer with tube, shower head and duplex shower set.

Dettaglio flessibili / Flexible details pag. 42



Nelle varianti colore verniciate e satinare alcuni particolari saranno in finitura galvanica per garantire gli standard qualitativi. / To assure our quality standard on colored and satin product, some details remain in galvanic finishes.

ARTICOLO COMPLETO / COMPLETE ITEM

- 02536CR0D**
CR
- 02536CO0D**
CO
- 02536OR0D**
OR/PL/NS/NI
- 02536XX0D ***
XX

* XX: Per tutte le altre finiture fattibili riferirsi a questa fascia di prezzo. / Refer to this line of price for all other realizable finishes.

Non disponibile in TT - BU - ON - FA - IM - NM - OM - HM - CM - AM / Not available TT - BU - ON - FA - IM - NM - OM - HM - CM - AM

RICAMBI / SPARE PARTS

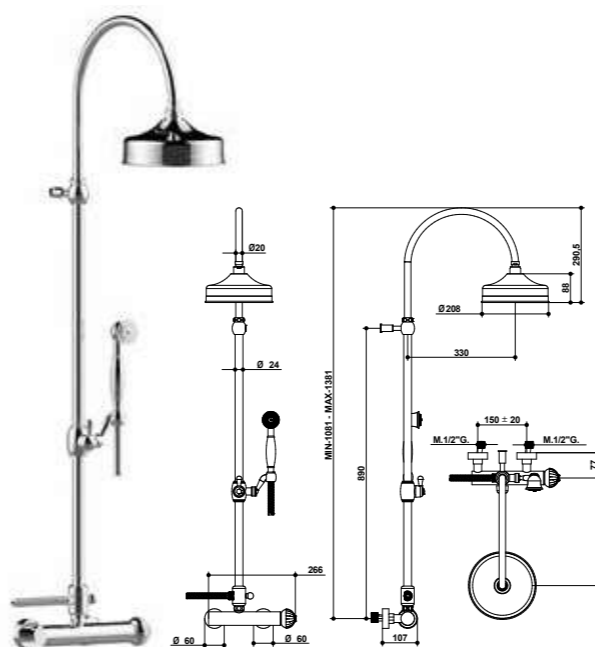
	9792 *		9792 □
	10860CR		9600CR
	00851CR00		121CRCL
	0011700DV		00851XX00 □
	9600XX00 □		10860XXCR □

* Calda / Hot
□ Fredda / Cold
□ Ricambio per finiture diverse dal cromo. / Spare part for different finishes.
□ Nelle finiture verniciate e satinare i flessibili verranno forniti con calotta in delrin nero. / For painted and matt finishes, the flexible hoses will be supplied with black delrin conical connection.

02555/0D

Miscelatore doccia esterno con tubo, soffione e set doccia duplex. External shower mixer with tube, shower head and duplex shower set.

Dettaglio flessibili / Flexible details pag. 42



Nelle varianti colore verniciate e satinare alcuni particolari saranno in finitura galvanica per garantire gli standard qualitativi. / To assure our quality standard on colored and satin product, some details remain in galvanic finishes.

ARTICOLO COMPLETO / COMPLETE ITEM

- 02555CR0D**
CR
- 02555CO0D**
CO
- 02555OR0D**
OR/PL/NS/NI
- 02555XX0D ***
XX

* XX: Per tutte le altre finiture fattibili riferirsi a questa fascia di prezzo. / Refer to this line of price for all other realizable finishes.

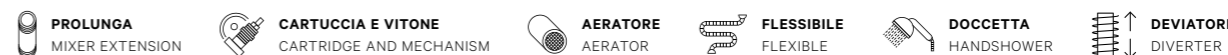
Non disponibile in TT - BU - ON - FA - IM - NM - OM - HM - CM - AM / Not available TT - BU - ON - FA - IM - NM - OM - HM - CM - AM

RICAMBI / SPARE PARTS

	9813		10860CR00
	00121CRCL		09600CR
	9600XX00 *		00851CR00
	00851XX00 □		10860XX00 □

* Nelle finiture verniciate e satinare i flessibili verranno forniti con calotta in delrin nero. / For painted and matt finishes, the flexible hoses will be supplied with black delrin conical connection.
□ Ricambio per finiture diverse dal cromo. / Spare part for different finishes.

ACCESSORI E RICAMBI / ACCESSORIES AND SPARE PARTS

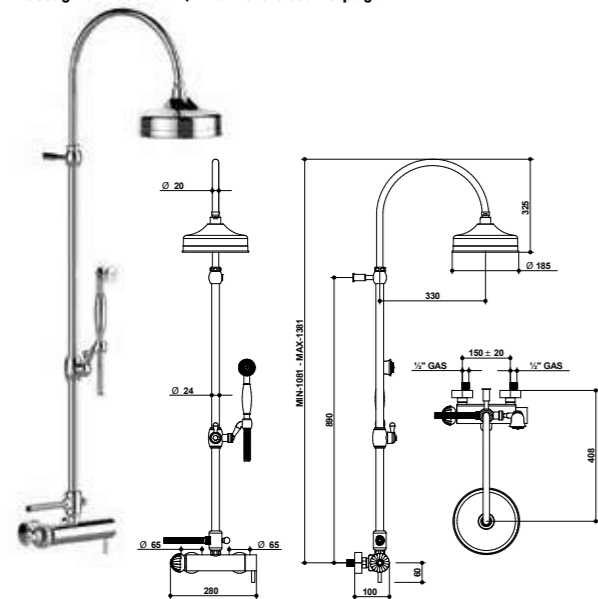


ROYALE 60 / IMPERO
FLEUR BLANC&NOIR
CRISTALLO / RIVOLI
RADIANT
AXEL
OXFORD LUX / MILLE NUITS
CAPRI
LA TOSCA
TURANDOT
CLASSIC

02547/0D

Gruppo doccia esterno termostatico con tubo, soffione e set doccia duplex. / External shower thermostatic with tube, shower head and duplex shower set.

Dettaglio flessibili / Flexible details pag. 42



Nelle varianti colore verniciate e satinare alcuni particolari saranno in finitura galvanica per garantire gli standard qualitativi. / To assure our quality standard on colored and satin product, some details remain in galvanic finishes.

ARTICOLO COMPLETO / COMPLETE ITEM

02547CR0D
CR

02547CO0D
CO

02547OR0D
OR/PL/NS/NI

02547XX0D *
XX

* XX: Per tutte le altre finiture fattibili riferirsi a questa fascia di prezzo. / Refer to this line of price for all other realizable finishes.

Non disponibile in TT - BU - ON - FA - IM - NM - OM - HM - CM - AM / Not available TT - BU - ON - FA - IM - NM - OM - HM - CM - AM

RICAMBI / SPARE PARTS

8900ES *	9792 □
10860CR	00121CRCL
9600CR	9600XX00 □
00851CR00	00851XX00 ▲
10860XX00 ▲	

* Cartuccia miscelatrice / Mixer cartridge

□ Cartuccia di apertura-chiusura / Open-close cartridge

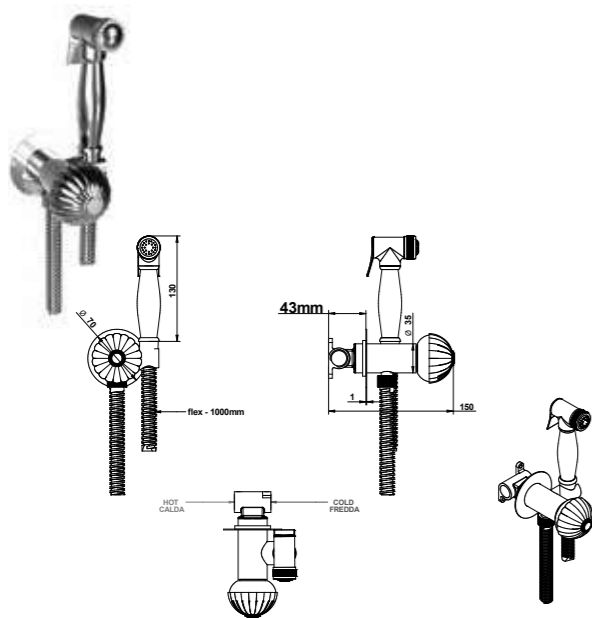
▲ Nelle finiture verniciate e satinare i flessibili verranno forniti con calotta in delrin nero. / For painted and matt finishes, the flexible hoses will be supplied with black delrin conical connection.

* Ricambio per finiture diverse dal cromo. / Spare part for different finishes.

02916

Set doccia bidet per wc ad incasso con miscelatore progressivo integrato e doccetta. / Shattaf shower set for wc with integrated progressive mixer and handshower.

Dettaglio flessibili / Flexible details pag. 42



Nelle varianti colore verniciate e satinare alcuni particolari saranno in finitura galvanica per garantire gli standard qualitativi. / To assure our quality standard on colored and satin product, some details remain in galvanic finishes.

ARTICOLO COMPLETO / COMPLETE ITEM

02916CR00
CR

PARTE INCASSO BUILT-IN PART	PARTE ESTERNA DA ABBINARE EXTERNAL MATCHING PART
--------------------------------	---

9490/CP

FINITURE / FINISHES

02916CREU
CR

02916COEU
CO

02916OREU
OR/PL/NS/NI

02916XXEU *
XX

* XX: Per tutte le altre finiture fattibili riferirsi a questa fascia di prezzo. / Refer to this line of price for all other realizable finishes.

Non disponibile in TT - BU - ON - FA - IM - NM - OM - HM - CM - AM / Not available TT - BU - ON - FA - IM - NM - OM - HM - CM - AM

ABBINABILE A / TO MATCH WITH:
00916CRPR

RICAMBI / SPARE PARTS

9820	09610CR
00902CRDO	9606XXPV *
00902XXD0 □	

* Nelle finiture verniciate e satinare i flessibili verranno forniti con calotta in delrin nero. / For painted and matt finishes, the flexible hoses will be supplied with black delrin conical connection.

* Ricambio per finiture diverse dal cromo. / Spare part for different finishes.

FINITURE E COLORI / FINISHES AND COLOURS



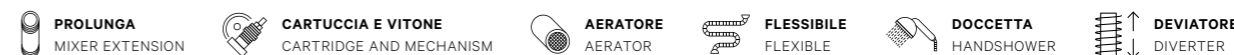
ACCESSORI COORDINATI / CO-ORDINATED ACCESSORIES PAG. 880

* Disponibile su richiesta / Available on demand



Art. 02004C000

ACCESSORI E RICAMBI / ACCESSORIES AND SPARE PARTS



AXEL

DESIGN CENTER DIRECTED BY ANTONIO BONGIO

#BEDIFFERENT



1

I AM NOT THAT COMMON



#SIMPLICITY

2

- 1. Art. 15501FA00
- 2. Art. 15528FA00
- 3. Art. 15014CRO0



3



#WEAVING



IL FASCINO DELLA MATERIA

The charm of the raw material

AXEL reinterpreta la rudezza della materia a effetto retrò con il design e la tecnologia più evolute, per arredare gli spazi della contemporaneità metropolitana. La sua finitura in ferro antico e gli accessori in stile classico sono ideali per il recupero architettonico di ambienti dalla forte personalità.

AXEL reinterprets the rawness of matter with a retro style featuring the most advanced design and technology to furnish modern-day cities. Its antique iron finish and classic accessories are ideal for the architectural restoration of environments with a strong personality.





#METROPOLITAN

LAVABO / WASHBASIN
Art. 15501FA00

BIDET / BIDET
Art. 15522FA00

DOCCIA / SHOWER
Art. 15537FA0D

VASCA / BATHTUB
Art. 15528FA00
Art. 15528CR00

ACCESSORI / ACCESSORIES
Art. 15001FA00
Art. 15007FA60
Art. 15008FA00
Art. 15014FA00
Art. 15015FA00
Art. 30025FA00



#POLISHED FINISH

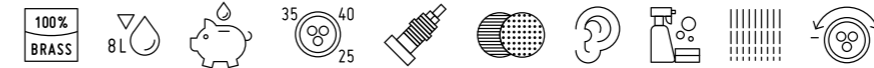


VASCA / BATHTUB
Art. 15536CROD



INFORMAZIONI TECNICHE

Technical details



VITONI: La serie Axel è dotata di vitoni a dischi ceramici 1/4 giro e di cartuccia progressiva Ø 35 mm.

La temperatura d'impianto non deve superare i 70°C. La pressione di esercizio dell'impianto consigliata è di 3 bar.

EROGAZIONE: La serie Axel ha un tipo di erogazione morbida. I lavabi e i bidet sono forniti con limitatore di portata da 6l/m, permettendo un notevole risparmio d'acqua.

INSTALLAZIONE: Tutti gli articoli ad incasso Bongio completi sono forniti di relative parti incasso.

Gli articoli doccia e vasca esterni hanno un interasse di 15±20 mm.

Per gli articoli lavabo e bidet, monoforo e tre fori, da installarsi su piano, devono essere realizzati fori Ø 35 mm massimo.

NOTA FINITURE FA / TT: I prodotti nelle finiture Ferro Antico (FA) e Terra di Toscana (TT) vengono realizzati con trattamenti manuali e, data la particolare lavorazione artigianale, possono presentare una colorazione non uniforme.

NOTA FINITURE ON / BU: Le finiture Ottone Naturale (ON) e Ottone Burattato (BU) sono finiture naturali che con il tempo a contatto con l'atmosfera cambiano di tonalità. Ricordano il sapore materico e grezzo delle vecchie rubinetterie utilizzate anche in esterno. Interessante contrasto anche per le serie più moderne.

MECHANISM: Axel series has 1/4' turn ceramic disc mechanism and Ø 35 mms. progressive cartridge.

The temperature of the plant should not exceed 70 degrees. The suggested working pressure of the plant has to be 3 bar.

SUPPLY: Axel series has a soft supply. Basin and bidet mixers have a standard limitation of flow to 6l/m which reduces the water waste.

INSTALLATION: All the built-in Bongio items are available with universal raw built-in body.

All the external shower and bath mixers have the 15±20 mms interaxe.

For the basin and bidet mixers - single or three holes - to be place on top deck, they require Ø 35 mms maximum holes.

FINISHES NOTE FA / TT: Products in Ferro Antico (FA) and Terra di Toscana (TT) finish are made with manual treatments and may therefore display colour variations due to the particular craftsmanship.

NOTE ON FINISHES ON / BU: The Natural Brass (ON) and Hammered Brass (BU) finishes are natural finishes that change color over time by being in contact with the natural atmosphere. They are reminiscent of the materials and rustic nature of old outdoor taps, providing an enticing contrast even for the most modern series.

FINITURE E COLORI / FINISHES AND COLOURS

DETTAGLI / MORE INFO PAG. 38



CR
Cromo
Chrome



NS
Nichel Spazzolato
Brushed Nickel



FA
Ferro Antico
Old Iron



NM
Cromo Nero Satinato
Matt Black Chrome



HM
Oro Francese Satinato
Matt French Gold



OR
Oro 24kt
24kt Gold



BM
Bronzo Opaco
Matt Bronze



ON
Ottone Naturale
Natural Brass

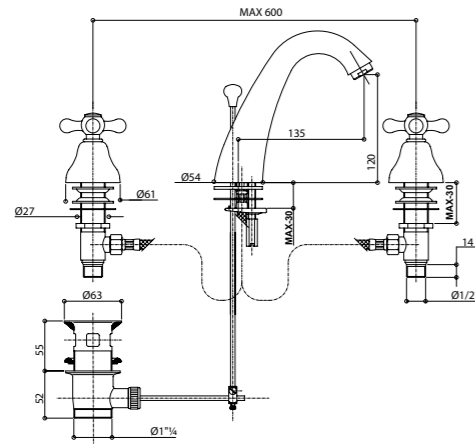


BU
Ottone Burattato
Hammered Brass

15501

Gruppo lavabo tre fori completo di scarico 1.1/4".

Three holes basin mixer with 1.1/4" pop-up waste.



ARTICOLO COMPLETO / COMPLETE ITEM

15501CR00
CR

15501BM00
BM/NS/BU/ON

15501FA00
FA/NM/OR/HM

15501XX00 *
XX

* XX: Per tutte le altre finiture fattibili riferirsi a questa fascia di prezzo. / Refer to this line of price for all other realizable finishes.

Non disponibile in OM - AM - CM - IM / Not available OM - AM - CM - IM

ABBINABILE A / TO MATCH WITH:
Sifone / Siphon - **00065CR00**

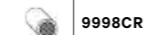
RICAMBI / SPARE PARTS



9792 *



9792 □



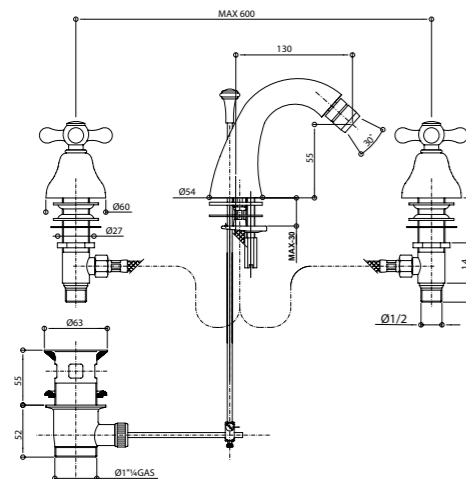
9998CR

* Calda / Hot
□ Fredda / Cold

15503

Gruppo bidet tre fori completo di scarico 1.1/4".

Three holes bidet mixer with 1.1/4" pop-up waste.



ARTICOLO COMPLETO / COMPLETE ITEM

15503CR00
CR

15503BM00
BM/NS/BU/ON

15503FA00
FA/NM/OR/HM

15503XX00 *
XX

* XX: Per tutte le altre finiture fattibili riferirsi a questa fascia di prezzo. / Refer to this line of price for all other realizable finishes.

Non disponibile in OM - AM - CM - IM / Not available OM - AM - CM - IM

ABBINABILE A / TO MATCH WITH:
Sifone / Siphon - **00066CR00**

RICAMBI / SPARE PARTS



9792 *



9792 □



9979CR

* Calda / Hot
□ Fredda / Cold

FINITURE E COLORI / FINISHES AND COLOURS

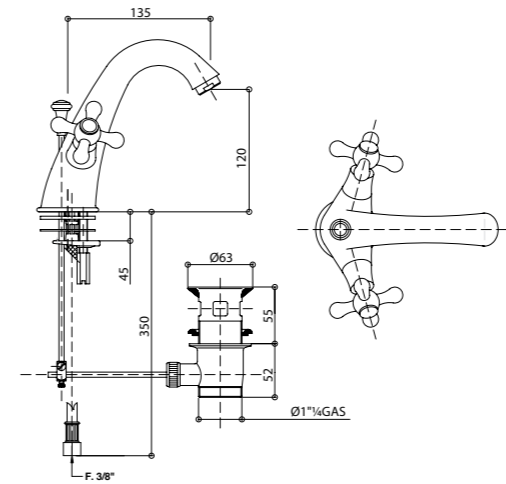


ACCESSORI COORDINATI / CO-ORDINATED ACCESSORIES PAG. 888

15521

Monoforo lavabo completo di scarico 1.1/4".

Single hole basin mixer with 1.1/4" pop-up waste.



ARTICOLO COMPLETO / COMPLETE ITEM

15521CR00
CR

15521BM00
BM/NS/BU/ON

15521FA00
FA/NM/OR/HM

15521XX00 *
XX

* XX: Per tutte le altre finiture fattibili riferirsi a questa fascia di prezzo. / Refer to this line of price for all other realizable finishes.

Non disponibile in OM - AM - CM - IM / Not available OM - AM - CM - IM

ABBINABILE A / TO MATCH WITH:
Sifone / Siphon - **00065CR00**

PROLUNGA / MIXER EXTENSION



945CR15

RICAMBI / SPARE PARTS



9792 *



9791 □



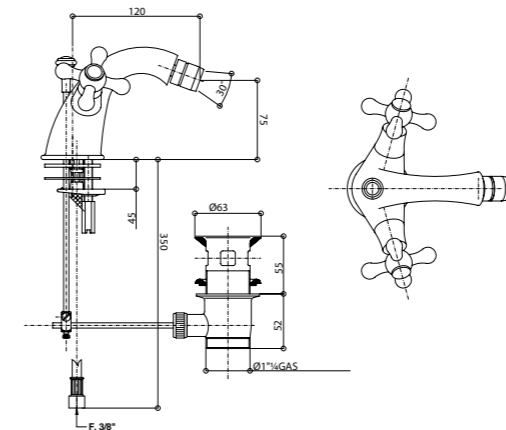
9998CR

* Calda / Hot
□ Fredda / Cold

15522

Monoforo bidet completo di scarico 1.1/4".

Single hole bidet mixer with 1.1/4" pop-up waste.



ARTICOLO COMPLETO / COMPLETE ITEM

15522CR00
CR

15522BM00
BM/NS/BU/ON

15522FA00
FA/NM/OR/HM

15522XX00 *
XX

* XX: Per tutte le altre finiture fattibili riferirsi a questa fascia di prezzo. / Refer to this line of price for all other realizable finishes.

Non disponibile in OM - AM - CM - IM / Not available OM - AM - CM - IM

ABBINABILE A / TO MATCH WITH:
Sifone / Siphon - **00066CR00**

RICAMBI / SPARE PARTS



9792 *



9791 □



9978CR

* Calda / Hot
□ Fredda / Cold

ACCESSORI E RICAMBI / ACCESSORIES AND SPARE PARTS



PROLUNGA
MIXER EXTENSION



CARTUCCIA E VITONE
CARTRIDGE AND MECHANISM



AERATORE
AERATOR



FLESSIBILE
FLEXIBLE



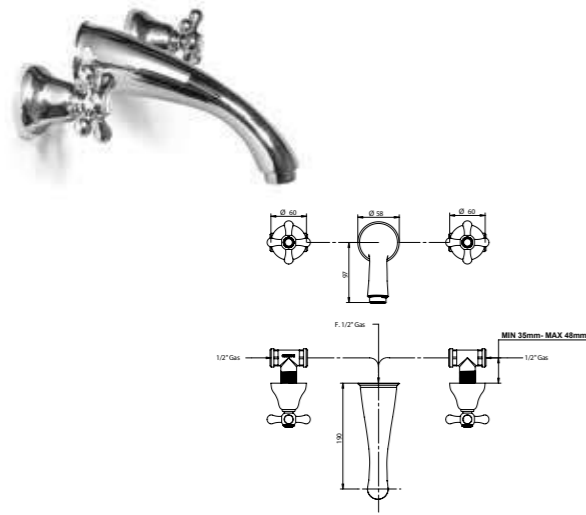
DOCCETTA
HANDSHOWER



DEVIATORE
DIVERTER

15538

Gruppo lavabo incasso a parete Wall basin mixer with 190 mms. spout. bocca da 190 mm.



RICAMBI / SPARE PARTS	
9792 *	9792 □
9998CR	

* Calda / Hot
□ Fredda / Cold

ARTICOLO COMPLETO / COMPLETE ITEM

15538CR00
CR

PARTE INCASSO BUILT-IN PART **PARTE ESTERNA DA ABBINARE** EXTERNAL MATCHING PART

FINITURE / FINISHES	
09767	15538CREU CR
	15538BMEU BM/NS/BU/ON
	15538FAEU FA/NM/OR/HM
	15538XXEU * XX

* XX: Per tutte le altre finiture fattibili riferirsi a questa fascia di prezzo. / Refer to this line of price for all other realizable finishes.

Non disponibile in OM - AM - CM - IM / Not available OM - AM - CM - IM

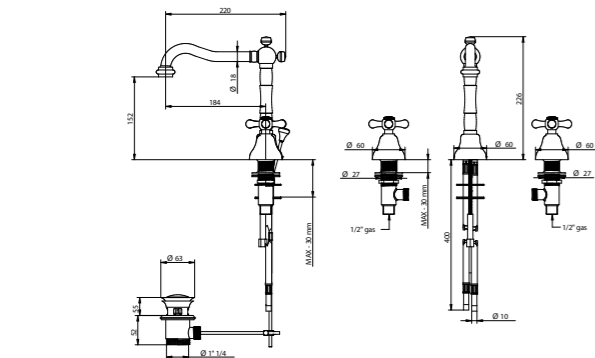
ABBINABILE A / TO MATCH WITH:
Sifone / Siphon - **00065CR00**
Piletta clic-clac / Clic-clac waste - **00079CR00**

PROLUNGA / MIXER EXTENSION

0008300CS 2 pz. per articolo / 2 pcs needed Cad. / Each
--

09501/AE

Gruppo lavabo tre fori completo di scarico 1.1/4". Three holes basin mixer with 1.1/4" pop-up waste.



FINITURE E COLORI / FINISHES AND COLOURS



ARTICOLO COMPLETO / COMPLETE ITEM

09501CRAE
CR

09501ORAE
OR

09501XXAE *
XX

* XX: Per tutte le altre finiture fattibili riferirsi a questa fascia di prezzo. / Refer to this line of price for all other realizable finishes.

Non disponibile in TT - BU - ON - FA - BI - NE - RS - CM - IM - NM - OM - AM - HM - BM / Not available TT - BU - ON - FA - BI - NE - RS - CM - IM - NM - OM - AM - HM - BM

ABBINABILE A / TO MATCH WITH:
Sifone / Siphon - **00065CR00**

RICAMBI / SPARE PARTS

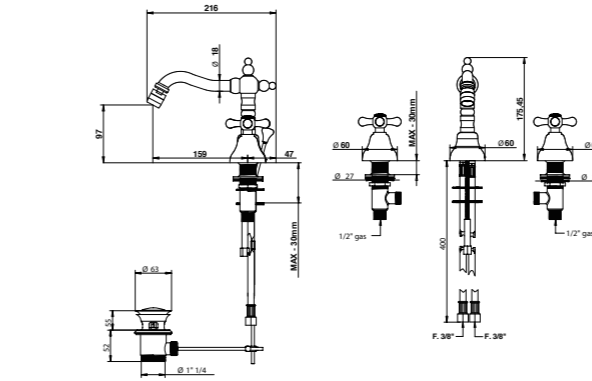
9792 *	9792 □
9987CR	

* Calda / Hot
□ Fredda / Cold

ACCESSORI COORDINATI / CO-ORDINATED ACCESSORIES PAG. 888

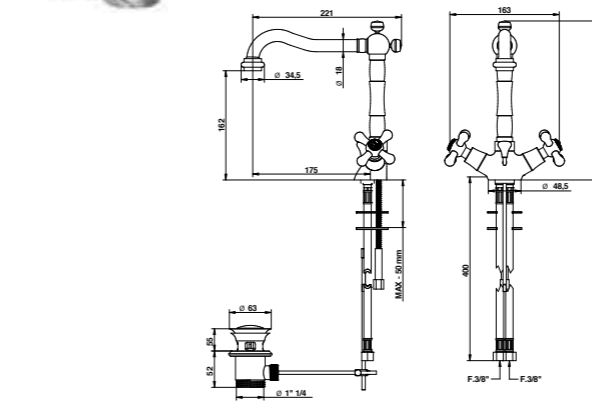
09503/AE NEW

Gruppo bidet tre fori completo di scarico 1.1/4". Three holes bidet mixer with 1.1/4" pop-up waste.



09521/AE NEW

Monoforo lavabo con bocca girevole completo di scarico 1.1/4". Single hole basin mixer with swivel spout and 1.1/4" pop-up waste.



ACCESSORI E RICAMBI / ACCESSORIES AND SPARE PARTS



ARTICOLO COMPLETO / COMPLETE ITEM

09503CRAE
CR

09503ORAE
OR

09503XXAE *
XX

* XX: Per tutte le altre finiture fattibili riferirsi a questa fascia di prezzo. / Refer to this line of price for all other realizable finishes.

Non disponibile in TT - BU - ON - FA - BI - NE - RS - CM - IM - NM - OM - AM - HM - BM / Not available TT - BU - ON - FA - BI - NE - RS - CM - IM - NM - OM - AM - HM - BM

ABBINABILE A / TO MATCH WITH:
Sifone / Siphon - **00066CR00**

RICAMBI / SPARE PARTS

9792 *	9792 □
9986CR	

* Calda / Hot
□ Fredda / Cold

ARTICOLO COMPLETO / COMPLETE ITEM

09521CRAE
CR

09521ORAE
OR

09521XXAE *
XX

* XX: Per tutte le altre finiture fattibili riferirsi a questa fascia di prezzo. / Refer to this line of price for all other realizable finishes.

Non disponibile in TT - BU - ON - FA - BI - NE - RS - CM - IM - NM - OM - AM - HM - BM / Not available TT - BU - ON - FA - BI - NE - RS - CM - IM - NM - OM - AM - HM - BM

ABBINABILE A / TO MATCH WITH:
Sifone / Siphon - **00065CR00**

PROLUNGA / MIXER EXTENSION

946CR15

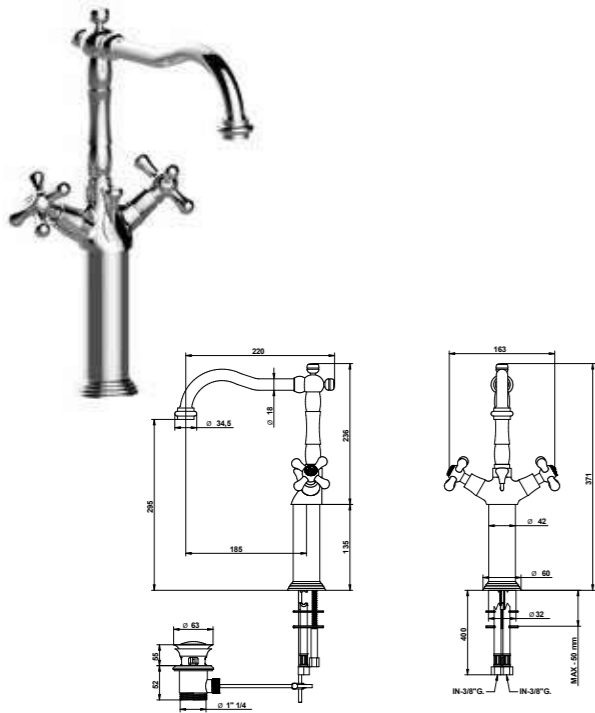
RICAMBI / SPARE PARTS

9792 *	9791 □
9987CR	

* Calda / Hot
□ Fredda / Cold

09532/AE NEW

Monoforo lavabo con bocca girevole completo di scarico 1.1/4" e prolunga 135 mm. Single hole basin mixer with swivel spout, 1.1/4" pop-up waste and 135 mms extension.



ARTICOLO COMPLETO / COMPLETE ITEM

09532CRAE
CR

09532ORAE
OR

09532XXAE *
XX

* XX: Per tutte le altre finiture fattibili riferirsi a questa fascia di prezzo. / Refer to this line of price for all other realizable finishes.

Non disponibile in TT - BU - ON - FA - BI - NE - RS - CM - IM - NM - OM - AM - HM - BM / Not available TT - BU - ON - FA - BI - NE - RS - CM - IM - NM - OM - AM - HM - BM

ABBINABILE A / TO MATCH WITH:
Sifone / Siphon - **00065CR00**

PROLUNGA / MIXER EXTENSION

946CR15

RICAMBI / SPARE PARTS

9792 *

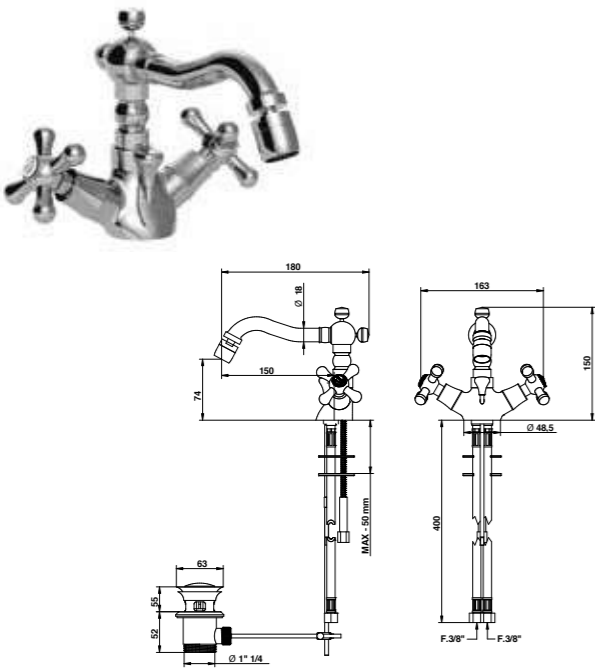
9791 □

9987CR

* Calda / Hot
□ Fredda / Cold

09522/AE NEW

Monoforo bidet con bocca girevole completo di scarico 1.1/4". Single hole bidet mixer with swivel spout and 1.1/4" pop-up waste.



ARTICOLO COMPLETO / COMPLETE ITEM

09522CRAE
CR

09522ORAE
OR

09522XXAE *
XX

* XX: Per tutte le altre finiture fattibili riferirsi a questa fascia di prezzo. / Refer to this line of price for all other realizable finishes.

Non disponibile in TT - BU - ON - FA - BI - NE - RS - CM - IM - NM - OM - AM - HM - BM / Not available TT - BU - ON - FA - BI - NE - RS - CM - IM - NM - OM - AM - HM - BM

ABBINABILE A / TO MATCH WITH:
Sifone / Siphon - **00066CR00**

RICAMBI / SPARE PARTS

9792 *

9791 □

9986CR

* Calda / Hot
□ Fredda / Cold

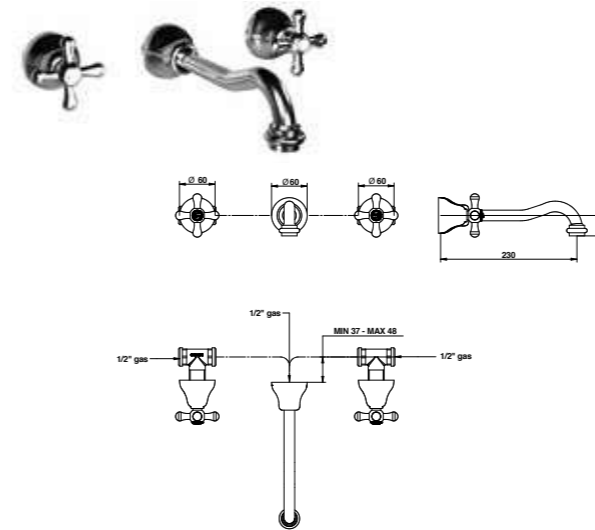
FINITURE E COLORI / FINISHES AND COLOURS



ACCESSORI COORDINATI / CO-ORDINATED ACCESSORIES PAG. 888

09538/AE NEW

Gruppo lavabo incasso a parete da 230 mm. Built-in three hole basin with 230 mms. spout.



ARTICOLO COMPLETO / COMPLETE ITEM

09538CRAE
CR

PARTE INCASSO
BUILT-IN PART

PARTE ESTERNA DA ABBINARE
EXTERNAL MATCHING PART

09767

FINITURE / FINISHES

09538CRAEEU
CR

09538ORAEEU
OR

09538XXAEEU *
XX

* XX: Per tutte le altre finiture fattibili riferirsi a questa fascia di prezzo. / Refer to this line of price for all other realizable finishes.

Non disponibile in TT - BU - ON - FA - BI - NE - RS - CM - IM - NM - OM - AM - HM - BM / Not available TT - BU - ON - FA - BI - NE - RS - CM - IM - NM - OM - AM - HM - BM

ABBINABILE A / TO MATCH WITH:
Sifone / Siphon - **00065CR00**
Piletta clic-clac / Clic-clac waste - **00079CR00**

PROLUNGA / MIXER EXTENSION

0008300CS
2 pz. per articolo Cad. / Each
/ 2 pcs needed

RICAMBI / SPARE PARTS

9792 *

9792 □

9987CR

* Calda / Hot
□ Fredda / Cold

15500

Rubinetto incasso 1/2". 1/2" built-in tap.



ARTICOLO COMPLETO / COMPLETE ITEM

15500CR00
CR

PARTE INCASSO
BUILT-IN PART

PARTE ESTERNA DA ABBINARE
EXTERNAL MATCHING PART

09777
CALDA / hot
09777
FREDDA / cold

FINITURE / FINISHES

15500CREU
CR

15500BMEU
BM/BU/NS/ON

15500FAEU
FA/OR/HM/NM

15500XXEU *
XX

* XX: Per tutte le altre finiture fattibili riferirsi a questa fascia di prezzo. / Refer to this line of price for all other realizable finishes.

Non disponibile in OM - AM - CM - IM / Not available OM - AM - CM - IM

PROLUNGA / MIXER EXTENSION

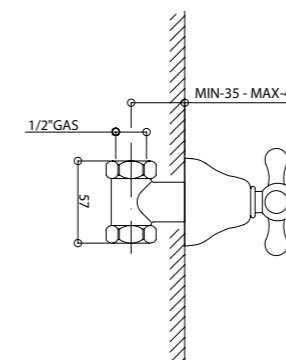
0008300CS

RICAMBI / SPARE PARTS

9792 *

9792 □

* Calda / Hot
□ Fredda / Cold



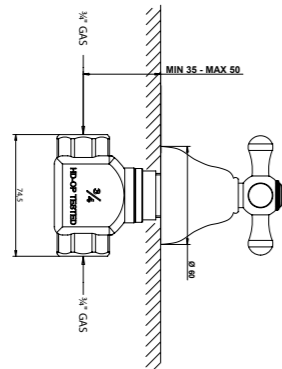
ACCESSORI E RICAMBI / ACCESSORIES AND SPARE PARTS



ROYALE 60 / IMPERO
FLEUR BLANC&NOIR
CRISTALLO / RIVOLI
RADIANT
AXEL
OXFORD LUX / MILLE NUITS
CAPRI
LA TOSCA
TURANDOT
CLASSIC

15498

Rubinetto incasso da 3/4" vitone tradizionale. 3/4" built-in tap traditional mechanism.



ARTICOLO COMPLETO / COMPLETE ITEM

15498CR00
CR

PARTE INCASSO / BUILT-IN PART **PARTE ESTERNA DA ABBINARE / EXTERNAL MATCHING PART**

FINITURE / FINISHES	
09772 CALDA / hot	15498CREU CR
09772 FREDDA / cold	15498BMEU BM/BU/NS/ON
	15498FAEU FA/OR/HM/NM
	15498XXEU * XX

* XX: Per tutte le altre finiture fattibili riferirsi a questa fascia di prezzo. / Refer to this line of price for all other realizable finishes.

Non disponibile in OM - AM - CM - IM / Not available OM - AM - CM - IM

PROLUNGA / MIXER EXTENSION

0008300CS

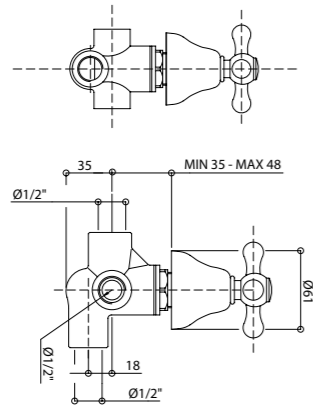
RICAMBI / SPARE PARTS

9804 * 9804 □

* Calda / Hot
* Fredda / Cold

15525

Deviatore 2 uscite (2 entrate 2 uscite). 2 exit built-in diverter (2 in - 2 out).



ARTICOLO COMPLETO / COMPLETE ITEM

15525CR00
CR

PARTE INCASSO / BUILT-IN PART **PARTE ESTERNA DA ABBINARE / EXTERNAL MATCHING PART**

FINITURE / FINISHES	
09496	15525CREU CR
	15525BMEU BM/BU/NS/ON
	15525FAEU FA/OR/NM/HM
	15525XXEU * XX

* XX: Per tutte le altre finiture fattibili riferirsi a questa fascia di prezzo. / Refer to this line of price for all other realizable finishes.

Non disponibile in OM - AM - CM - IM / Not available OM - AM - CM - IM

PROLUNGA / MIXER EXTENSION

0008300CS

RICAMBI / SPARE PARTS

00112DM

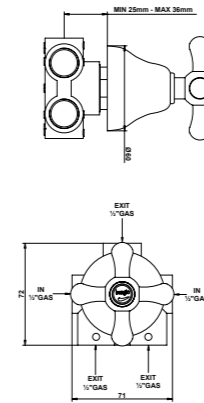
FINITURE E COLORI / FINISHES AND COLOURS



ACCESSORI COORDINATI / CO-ORDINATED ACCESSORIES PAG. 888

15525/5

Deviatore 3 uscite (2 entrate 3 uscite). 3 exit built-in diverter (2 in - 3 out).



ARTICOLO COMPLETO / COMPLETE ITEM

15525CR05
CR

PARTE INCASSO / BUILT-IN PART **PARTE ESTERNA DA ABBINARE / EXTERNAL MATCHING PART**

FINITURE / FINISHES	
09495	15525CR05EU CR
	15525BM05EU BM/BU/NS/ON
	15525FA05EU FA/OR/NM/HM
	15525XX05EU * XX

* XX: Per tutte le altre finiture fattibili riferirsi a questa fascia di prezzo. / Refer to this line of price for all other realizable finishes.

Non disponibile in OM - AM - CM - IM / Not available OM - AM - CM - IM

PROLUNGA / MIXER EXTENSION

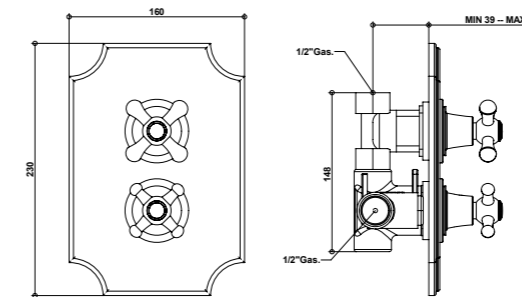
0008300CS

RICAMBI / SPARE PARTS

00113DM

15544

Miscelatore termostatico doccia incasso 1/2". 1/2" built-in thermostatic mixer.



ARTICOLO COMPLETO / COMPLETE ITEM

15544CR00
CR

PARTE INCASSO / BUILT-IN PART **PARTE ESTERNA DA ABBINARE / EXTERNAL MATCHING PART**

FINITURE / FINISHES	
09787	15544CREU CR
	15544BMEU BM/BU/NS/ON
	15544FAEU FA/OR/NM/HM
	15544XXEU * XX

* XX: Per tutte le altre finiture fattibili riferirsi a questa fascia di prezzo. / Refer to this line of price for all other realizable finishes.

Portata a pressione dinamica 3 bar - 32 l/min - 38° Mix / Flow rates at dynamic pressure 3 bar - 32 l/min - 38° Mix

Non disponibile in OM - AM - CM - IM / Not available OM - AM - CM - IM

PROLUNGA / MIXER EXTENSION

00105CRTCPR

RICAMBI / SPARE PARTS

8900TM * 9788 □

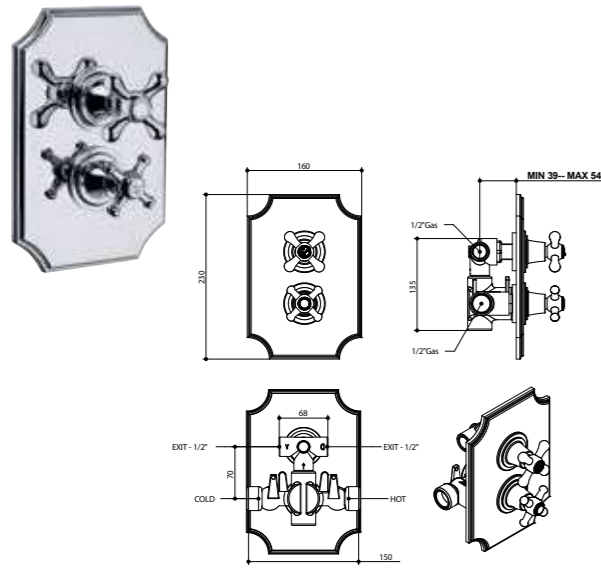
* Cartuccia miscelatrice / Mixer cartridge
□ Cartuccia di apertura-chiusura / Open-close cartridge

ACCESSORI E RICAMBI / ACCESSORIES AND SPARE PARTS



15549

Miscelatore termostatico incasso 1/2" con deviatore a 2 uscite. 1/2" built-in thermostatic mixer with 2 way diverter.

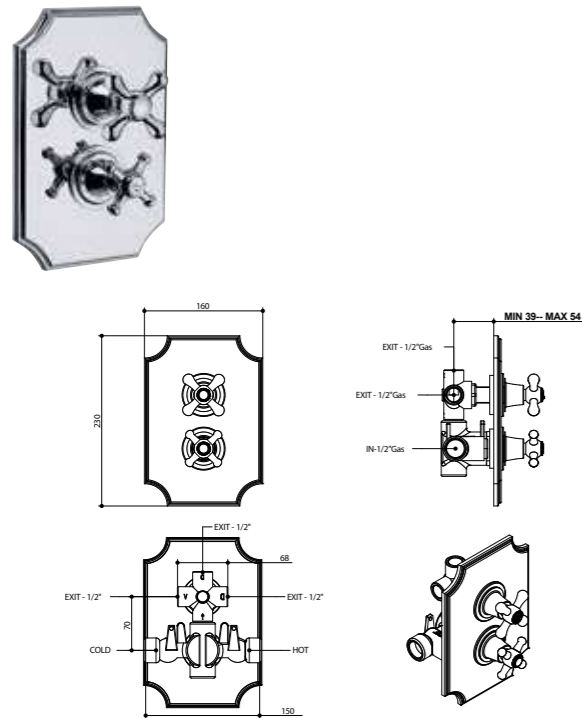


RICAMBI / SPARE PARTS	
8900TM *	9788/02 □

* Cartuccia miscelatrice / Mixer cartridge
 □ Cartuccia di apertura-chiusura e deviazione / Diverter and open-close cartridge

15549/3

Miscelatore termostatico incasso 1/2" con deviatore a 3 uscite. 1/2" built-in thermostatic mixer with 3 way diverter.



RICAMBI / SPARE PARTS	
8900TM *	9788/03 □

FINITURE E COLORI / FINISHES AND COLOURS



ARTICOLO COMPLETO / COMPLETE ITEM

15549CR00
CR

PARTE INCASSO BUILT-IN PART	PARTE ESTERNA DA ABBINARE EXTERNAL MATCHING PART
	FINITURE / FINISHES

09728	15549CREU CR
	15549BMEU BM/BU/NS/ON
	15549FAEU FA/OR/NM/HM
	15549XXEU * XX

* XX: Per tutte le altre finiture fattibili riferirsi a questa fascia di prezzo. / Refer to this line of price for all other realizable finishes.

Portata a pressione dinamica 3 bar - 23 l/min - 38° Mix - 3 bar - 15 l/min - 38° Mix / Flow rates at dynamic pressure 3 bar - 23 l/min - 38° Mix - 3 bar - 15 l/min - 38° Mix

Non disponibile in OM - AM - CM - IM / Not available OM - AM - CM - IM

PROLUNGA / MIXER EXTENSION	
00105CRTC49PR	

ARTICOLO COMPLETO / COMPLETE ITEM

15549CR03
CR

PARTE INCASSO BUILT-IN PART	PARTE ESTERNA DA ABBINARE EXTERNAL MATCHING PART
	FINITURE / FINISHES

09728/03	15549CR03EU CR
	15549BM03EU BM/BU/NS/ON
	15549FA03EU FA/OR/NM/HM
	15549XX03EU * XX

* XX: Per tutte le altre finiture fattibili riferirsi a questa fascia di prezzo. / Refer to this line of price for all other realizable finishes.

Portata a pressione dinamica 3 bar - 23 l/min - 38° Mix - 3 bar - 15 l/min - 38° Mix / Flow rates at dynamic pressure 3 bar - 23 l/min - 38° Mix - 3 bar - 15 l/min - 38° Mix

Non disponibile in OM - AM - CM - IM / Not available OM - AM - CM - IM

PROLUNGA / MIXER EXTENSION	
00105CRTC49PR	

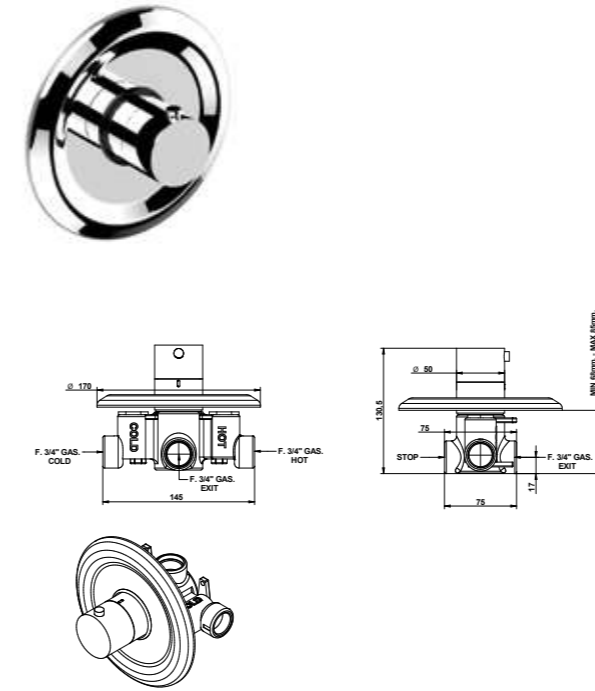
RICAMBI / SPARE PARTS	
8900TM *	9788/03 □

* Cartuccia miscelatrice / Mixer cartridge
 □ Cartuccia di apertura-chiusura e deviazione / Diverter and open-close cartridge

ACCESSORI COORDINATI / CO-ORDINATED ACCESSORIES PAG. 888

15554

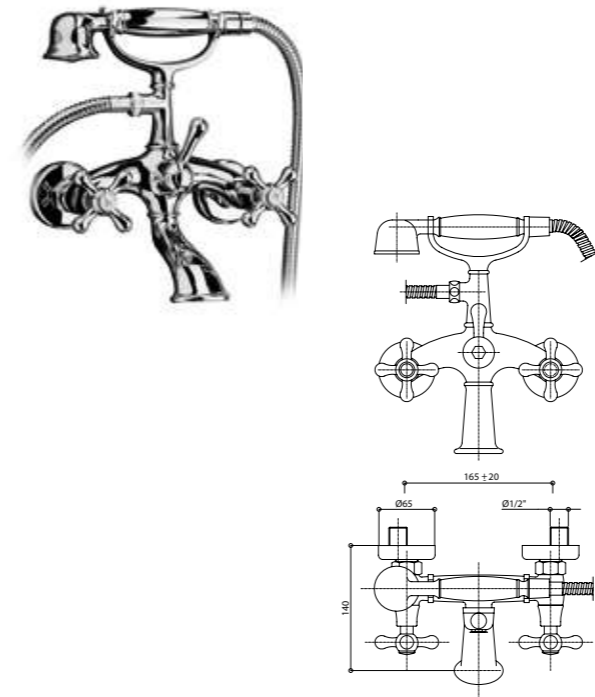
Termostatico incasso da 3/4" senza chiusura. 3/4" built-in thermostatic shower mixer without lock.



15526

Gruppo vasca esterno con set doccia. External bath and shower mixer with shower set.

Dettaglio flessibili / Flexible details pag. 42



ACCESSORI E RICAMBI / ACCESSORIES AND SPARE PARTS



ARTICOLO COMPLETO / COMPLETE ITEM

15554CR00
CR

PARTE INCASSO BUILT-IN PART	PARTE ESTERNA DA ABBINARE EXTERNAL MATCHING PART
	FINITURE / FINISHES

09700	15554CREU CR
	15554NSEU NS/NE/PL/ON/ BU/BI/RB
	15554OPEU OP/CM/IM/NM/ HM/OM/BM
	15554XXEU * XX

* XX: Per tutte le altre finiture fattibili riferirsi a questa fascia di prezzo. / Refer to this line of price for all other realizable finishes.

ABBINABILE A / TO MATCH WITH:
 Rubinetto incasso / Built-in tap - ...500 - ...498

RICAMBI / SPARE PARTS	
9837	

ARTICOLO COMPLETO / COMPLETE ITEM

15526CR00
CR

15526BM00 * BM/BU/NS/ON	
15526FA00 * FA/OR/NM/HM	
15526XX00 □ XX	

* Nelle varianti colore verniciate e satinare alcuni particolari saranno in finitura galvanica per garantire gli standard qualitativi. / To assure our quality standard on colored and satin product, some details remain in galvanic finishes.

□ XX: Per tutte le altre finiture fattibili riferirsi a questa fascia di prezzo. / Refer to this line of price for all other realizable finishes.

Non disponibile in OM - AM - CM - IM / Not available OM - AM - CM - IM

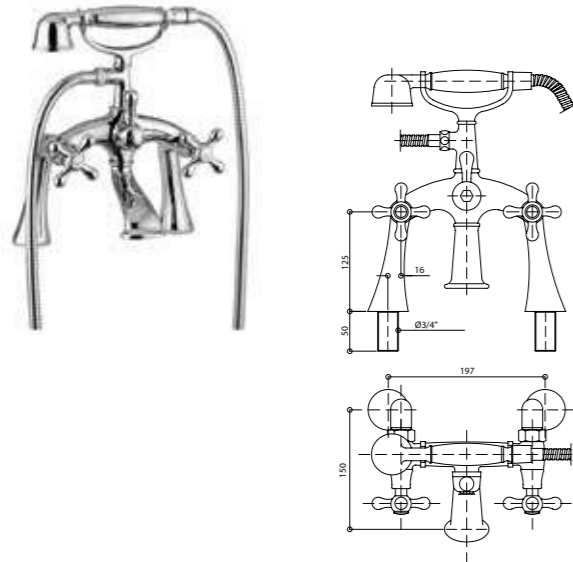
RICAMBI / SPARE PARTS			
9792 *	9792 □	00851CR00	
9600CR	00851XX00 □		
00117-DV			
9600XX00 △			

* Calda / Hot
 □ Fredda / Cold
 △ Ricambio per finiture diverse dal cromo. / Spare part for different finishes.
 □ Nelle finiture verniciate e satinare i flessibili verranno forniti con calotta in delrin nero. / For painted and matt finishes, the flexible hoses will be supplied with black delrin conical connection.

15527

Gruppo vasca esterno su colonnette External bath and shower mixer on pillar connection with shower set.

Dettaglio flessibili / Flexible details pag. 42



ARTICOLO COMPLETO / COMPLETE ITEM

15527CR00
CR

15527BM00 *
BM/BU/ON

15527FA00 *
FA/OR/NM/HM

15527XX00 □
XX

* Nelle varianti colore verniciate e satinare alcuni particolari saranno in finitura galvanica per garantire gli standard qualitativi. / To assure our quality standard on colored and satin product, some details remain in galvanic finishes.
□ XX: Per tutte le altre finiture fattibili riferirsi a questa fascia di prezzo. / Refer to this line of price for all other realizable finishes.

Non disponibile in OM - AM - CM - IM / Not available OM - AM - CM - IM

RICAMBI / SPARE PARTS

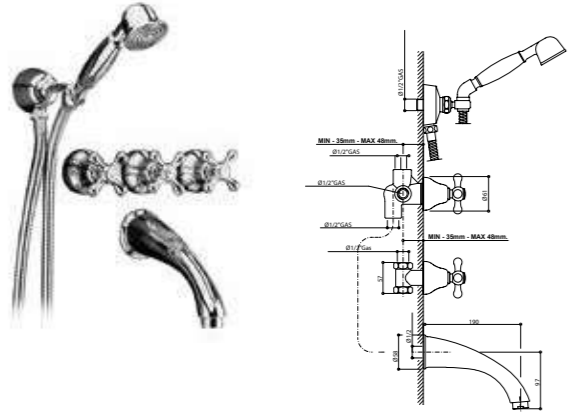
9792 *	9792 □
9600CR	00851CR00
0011700DV	00851XX00 □
9600XX00 ▲	

* Calda / Hot
□ Fredda / Cold
□ Ricambio per finiture diverse dal cromo. / Spare part for different finishes.
* Nelle finiture verniciate e satinare i flessibili verranno forniti con calotta in delrin nero. / For painted and matt finishes, the flexible hoses will be supplied with black delrin conical connection.

15530/D

Gruppo vasca incasso con set doccia Built-in bath and shower mixer with duplex shower set.

Dettaglio flessibili / Flexible details pag. 42



ARTICOLO COMPLETO / COMPLETE ITEM

15530CR0D
CR

PARTE INCASSO / BUILT-IN PART **PARTE ESTERNA DA ABBINARE** / EXTERNAL MATCHING PART

FINITURE / FINISHES	
09680	15530CR0DEU CR
	15530BMODEU * BM/BU/ON
	15530FA0DEU * FA/OR/NM/HM
	15530XX0DEU □ XX

* Nelle varianti colore verniciate e satinare alcuni particolari saranno in finitura galvanica per garantire gli standard qualitativi. / To assure our quality standard on colored and satin product, some details remain in galvanic finishes.
□ XX: Per tutte le altre finiture fattibili riferirsi a questa fascia di prezzo. / Refer to this line of price for all other realizable finishes.

Non disponibile in OM - AM - CM - IM / Not available OM - AM - CM - IM

PROLUNGA / MIXER EXTENSION

0008300CS
3 pz. per articolo / 3 pcs needed Cad. / Each

* Calda / Hot
□ Fredda / Cold
□ Ricambio per finiture diverse dal cromo. / Spare part for different finishes.
* Nelle finiture verniciate e satinare i flessibili verranno forniti con calotta in delrin nero. / For painted and matt finishes, the flexible hoses will be supplied with black delrin conical connection.

RICAMBI / SPARE PARTS

9792 *	9792 □
09997CR	9600CR
00851CR00	00112DM
00851XX00 □	9600XX00 ▲

FINITURE E COLORI / FINISHES AND COLOURS



ACCESSORI COORDINATI / CO-ORDINATED ACCESSORIES PAG. 888

15531/D

Gruppo bordo vasca cinque fori con set doccia Five holes deck bath and shower mixer with shower set.



ARTICOLO COMPLETO / COMPLETE ITEM

15531CR0D
CR

15531BM0D *
BM/BU/NS/ON

15531FA0D *
FA/OR/NM/HM

15531XX0D □
XX

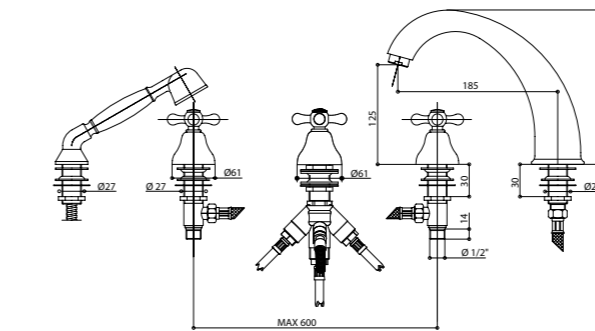
* Nelle varianti colore verniciate e satinare alcuni particolari saranno in finitura galvanica per garantire gli standard qualitativi. / To assure our quality standard on colored and satin product, some details remain in galvanic finishes.
□ XX: Per tutte le altre finiture fattibili riferirsi a questa fascia di prezzo. / Refer to this line of price for all other realizable finishes.

Non disponibile in OM - AM - CM - IM / Not available OM - AM - CM - IM

RICAMBI / SPARE PARTS

9792 *	9792 □
09997CR	09607CR
00851CRBV	00112VI
00851XXBV □	

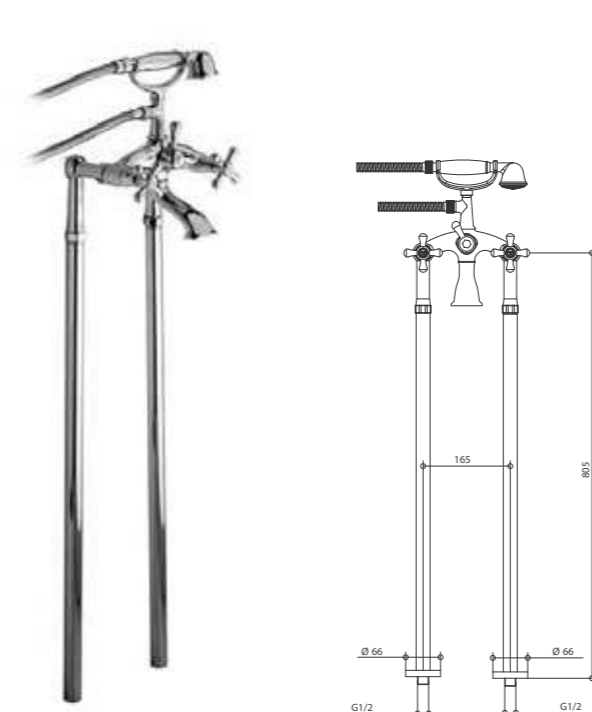
* Calda / Hot
□ Fredda / Cold
□ Ricambio per finiture diverse dal cromo. / Spare part for different finishes.



15528

Gruppo vasca esterno su colonnette Floor mounted bath and shower mixer with shower set.

Dettaglio flessibili / Flexible details pag. 42



ARTICOLO COMPLETO / COMPLETE ITEM

15528CR00
CR

15528BM00 *
BM/BU/ON

15528FA00 *
FA/OR/NM/HM

15528XX00 □
XX

* Nelle varianti colore verniciate e satinare alcuni particolari saranno in finitura galvanica per garantire gli standard qualitativi. / To assure our quality standard on colored and satin product, some details remain in galvanic finishes.
□ XX: Per tutte le altre finiture fattibili riferirsi a questa fascia di prezzo. / Refer to this line of price for all other realizable finishes.

Non disponibile in OM - AM - CM - IM / Not available OM - AM - CM - IM

RICAMBI / SPARE PARTS

9792 *	9792 □
9600CR	00851CR00
0011700DV	00851XX00 □
9600XX00 ▲	

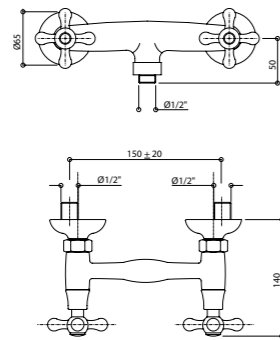
* Calda / Hot
□ Fredda / Cold
□ Ricambio per finiture diverse dal cromo. / Spare part for different finishes.
* Nelle finiture verniciate e satinare i flessibili verranno forniti con calotta in delrin nero. / For painted and matt finishes, the flexible hoses will be supplied with black delrin conical connection.

ACCESSORI E RICAMBI / ACCESSORIES AND SPARE PARTS



15523

Gruppo doccia esterno. External shower mixer.



ARTICOLO COMPLETO / COMPLETE ITEM

- 15523CR00**
CR
- 15523BM00**
BM/BU/NS/ON
- 15523FA00**
FA/OR/HM/NM
- 15523XX00** *
XX

* XX: Per tutte le altre finiture fattibili riferirsi a questa fascia di prezzo. / Refer to this line of price for all other realizable finishes.

Non disponibile in OM - AM - CM - IM / Not available OM - AM - CM - IM

ABBINABILE A / TO MATCH WITH:

Asta saliscendi / Sliding rail - **871**
Set doccia / Duplex set - **831**

RICAMBI / SPARE PARTS

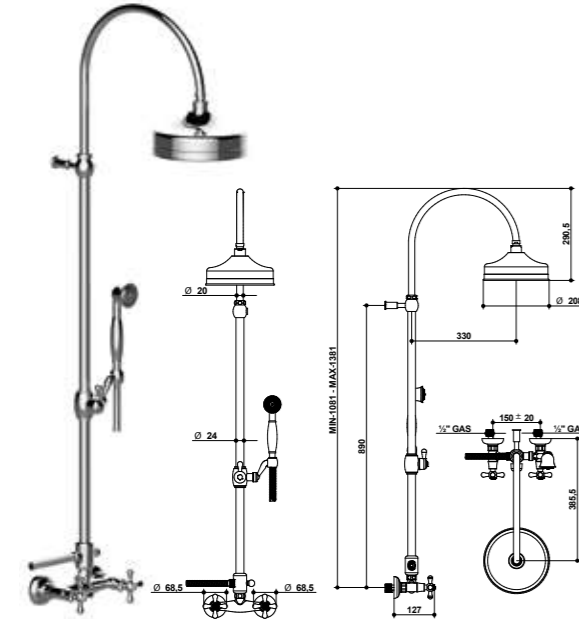
9792 *	9792 □
---------------	---------------

* Calda / Hot
□ Fredda / Cold

15537/D

Gruppo doccia esterno con tubo, soffione e set doccia duplex. External shower mixer with tube, shower head and duplex shower set.

Dettaglio flessibili / Flexible details pag. 42



ARTICOLO COMPLETO / COMPLETE ITEM

- 15537CR0D**
CR
- 15537BM0D** *
BM/BU/NS/ON
- 15537FA0D** *
FA/OR/NM/HM
- 15537XX0D** □
XX

* Nelle varianti colore verniciate e satinare alcuni particolari saranno in finitura galvanica per garantire gli standard qualitativi. / To assure our quality standard on colored and satin product, some details remain in galvanic finishes.

□ XX: Per tutte le altre finiture fattibili riferirsi a questa fascia di prezzo. / Refer to this line of price for all other realizable finishes.

Disponibile in tutte le collezioni classiche. / Available in all classic collection.

Non disponibile in OM - AM - CM - IM / Not available OM - AM - CM - IM

RICAMBI / SPARE PARTS

9792 *	9792 □
10860CR	9600CR
00851CR00	121CRCL
00851XX00 □	9600XX00 □
10860XX00 □	

* Calda / Hot
□ Fredda / Cold
□ Ricambio per finiture diverse dal cromo. / Spare part for different finishes.
□ Nelle finiture verniciate e satinare i flessibili verranno forniti con calotta in delrin nero. / For painted and matt finishes, the flexible hoses will be supplied with black delrin conical connection.

FINITURE E COLORI / FINISHES AND COLOURS

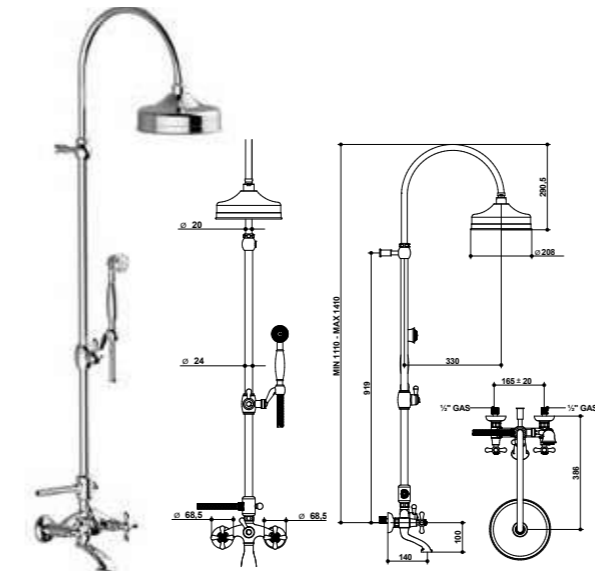


ACCESSORI COORDINATI / CO-ORDINATED ACCESSORIES PAG. 888

15536/D

Gruppo vasca doccia esterno con tubo, soffione, e set doccia duplex. External bath shower mixer with tube, shower head and duplex shower set.

Dettaglio flessibili / Flexible details pag. 42



ARTICOLO COMPLETO / COMPLETE ITEM

- 15536CR0D**
CR
- 15536BM0D** *
BM/BU/ON
- 15536FA0D** *
FA/OR/NM/HM
- 15536XX0D** □
XX

* Nelle varianti colore verniciate e satinare alcuni particolari saranno in finitura galvanica per garantire gli standard qualitativi. / To assure our quality standard on colored and satin product, some details remain in galvanic finishes.

□ XX: Per tutte le altre finiture fattibili riferirsi a questa fascia di prezzo. / Refer to this line of price for all other realizable finishes.

Non disponibile in OM - AM - CM - IM / Not available OM - AM - CM - IM

RICAMBI / SPARE PARTS

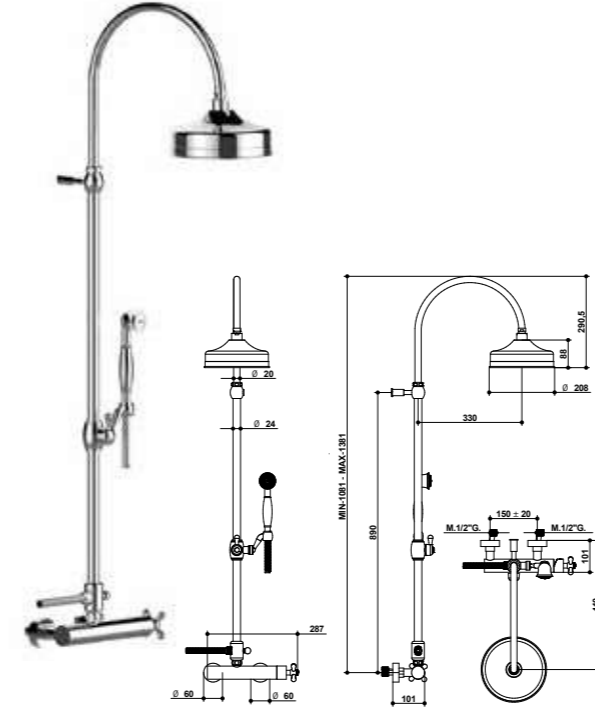
9792 *	9792 □
10860CR	9600CR
00851CR00	121CRCL
0011700DV	00851XX00 □
9600XX00 □	10860XX00 □

* Calda / Hot
□ Fredda / Cold
□ Ricambio per finiture diverse dal cromo. / Spare part for different finishes.
□ Nelle finiture verniciate e satinare i flessibili verranno forniti con calotta in delrin nero. / For painted and matt finishes, the flexible hoses will be supplied with black delrin conical connection.

15555/0D

Miscelatore doccia esterno con tubo, soffione, e set doccia duplex. External shower mixer with tube, shower head and duplex shower set.

Dettaglio flessibili / Flexible details pag. 42



ARTICOLO COMPLETO / COMPLETE ITEM

- 15555CR0D**
CR
- 15555BM0D** *
BM/BU/ON
- 15555FA0D** *
FA/OR/NM/HM
- 15555XX0D** □
XX

* Nelle varianti colore verniciate e satinare alcuni particolari saranno in finitura galvanica per garantire gli standard qualitativi. / To assure our quality standard on colored and satin product, some details remain in galvanic finishes.

□ XX: Per tutte le altre finiture fattibili riferirsi a questa fascia di prezzo. / Refer to this line of price for all other realizable finishes.

Non disponibile in OM - AM - CM - IM / Not available OM - AM - CM - IM

Disponibile in tutte le collezioni classiche. / Available in all Classic collections

RICAMBI / SPARE PARTS

9813	10860CR
00121CRCL	9600CR
9600XX00 *	00851CR00
00851XX00 □	10860XX00 □

* Nelle finiture verniciate e satinare i flessibili verranno forniti con calotta in delrin nero. / For painted and matt finishes, the flexible hoses will be supplied with black delrin conical connection.
□ Ricambio per finiture diverse dal cromo. / Spare part for different finishes.

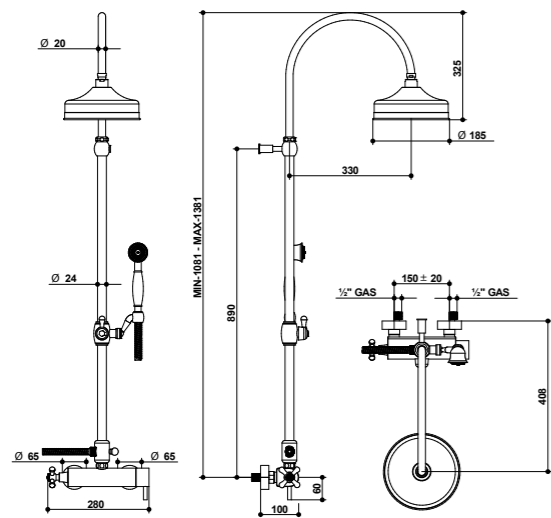
ACCESSORI E RICAMBI / ACCESSORIES AND SPARE PARTS



15547/D

Gruppo doccia esterno termostatico con tubo, soffione e set doccia duplex. External shower thermostatic with tube, shower head and duplex shower set.

Dettaglio flessibili / Flexible details pag. 42



ARTICOLO COMPLETO / COMPLETE ITEM

15547CR0D
CR

15547BM0D *
BM/BU/ON

15547FA0D *
FA/OR/NM/HM

15547XX0D □
XX

* Nelle varianti colore verniciate e satinare alcuni particolari saranno in finitura galvanica per garantire gli standard qualitativi. / To assure our quality standard on colored and satin product, some details remain in galvanic finishes.

□ XX: Per tutte le altre finiture fattibili riferirsi a questa fascia di prezzo. / Refer to this line of price for all other realizable finishes.

Non disponibile in OM - AM - CM - IM / Not available OM - AM - CM - IM

RICAMBI / SPARE PARTS

	8900ES *		9792 □
	10860CR		00121CRCL
	9600CR		9600XX00 □
	00851CR00		00851XX00 ◊
	10860XX00 ◊		

* Cartuccia miscelatrice / Mixer cartridge

□ Cartuccia di apertura-chiusura e deviazione / Open-close cartridge

◊ Nelle finiture verniciate e satinare i flessibili verranno forniti con calotta in delrin nero. / For painted and matt finishes, the flexible hoses will be supplied with black delrin conical connection.

◊ Ricambio per finiture diverse dal cromo. / Spare part for different finishes.

FINITURE E COLORI / FINISHES AND COLOURS



ACCESSORI COORDINATI / CO-ORDINATED ACCESSORIES PAG. 888



Art. 15015FA00

ACCESSORI E RICAMBI / ACCESSORIES AND SPARE PARTS



ROYALE 80 / IMPERO
FLEUR BLANC&NOIR
CRISTALLO / RIVOLI
RADIANT
AXEL
OXFORD LUX / MILLE NUITS
CAPRI
LA TOSCA
TURANDOT
CLASSIC

Oxford Lux · MilleNuits Capri

DESIGN CENTER DIRECTED BY
ANTONIO BONGIO

#decorativemood



Exclusive
CLASS

1

19 Oxford Lux 22 MilleNuits 17 Capri

2

3

#alluringbeauty

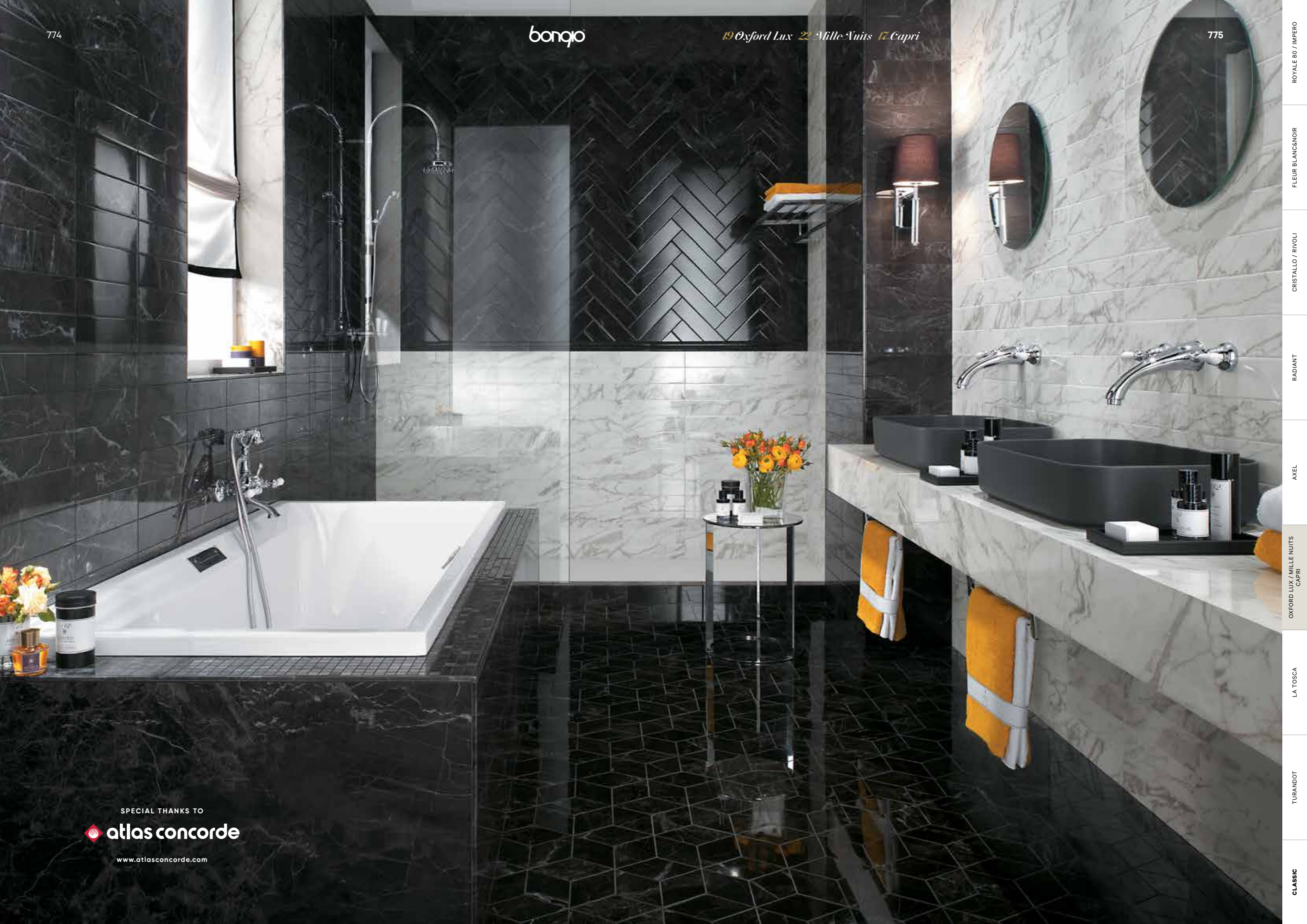
RICCHEZZA AVVOLGENTE

Alluring charm

Le forme rotonde e piene e l'estetica armoniosa del corpo narrano una storia che riporta alla Belle Époque. Le manopole realizzate in diversi materiali pregiati, con la loro eleganza peculiare, rendono queste collezioni ideali per ambienti dal fascino lussuoso ed avvolgente.

The round and full shapes and the harmonious aesthetics of the body tell a story that reminds us of the Belle Époque. The knobs made of a variety of refined materials, with their peculiar elegance make these collections the ideal choice to decorate the living space with a luxurious and alluring charm.

1. Art. 22521OR00
2. Art. 19538CR0L
3. Art. 19526CR0L

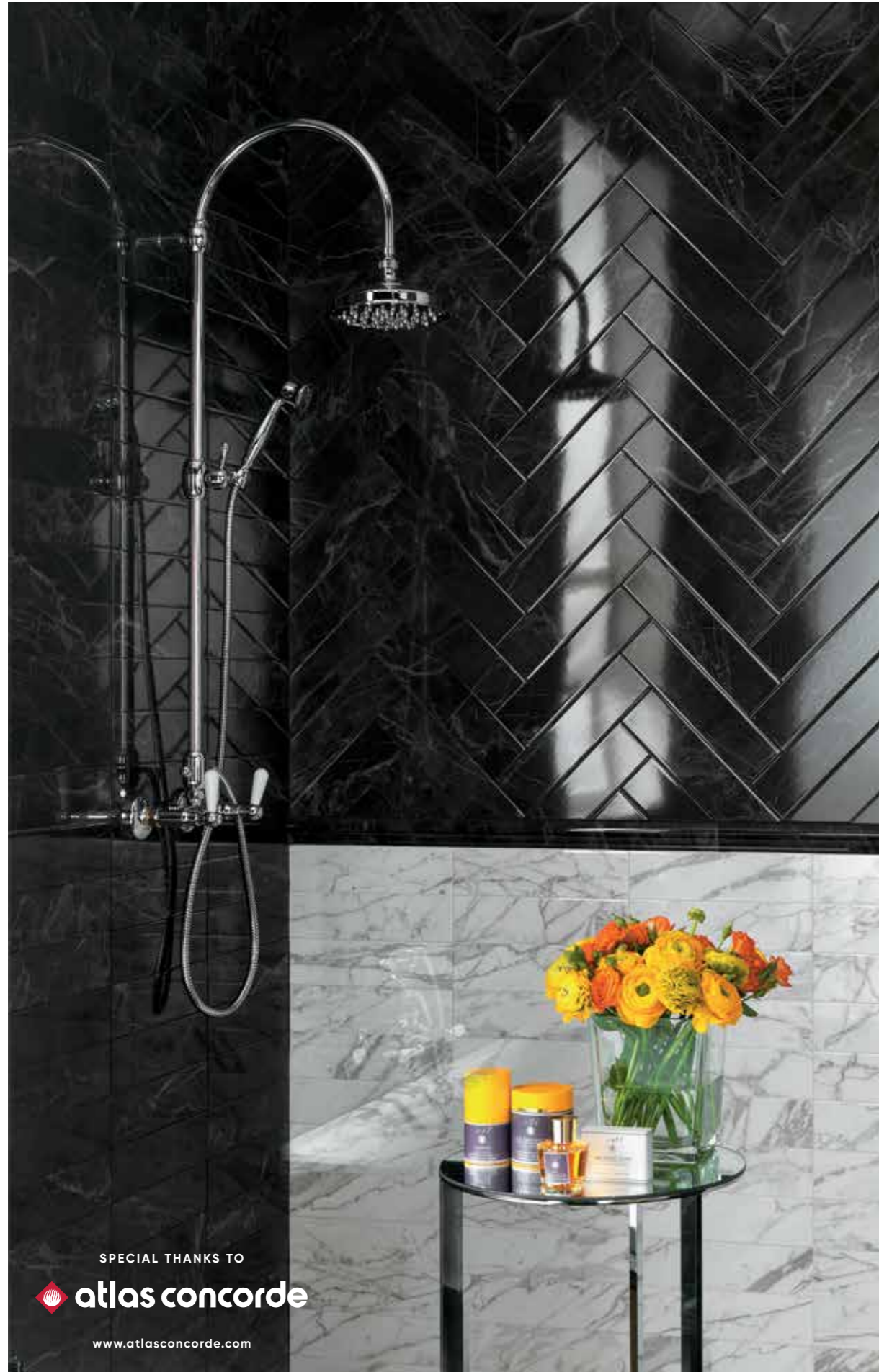


ROYALE 80 / IMPERO
 FLEUR BLANC&NOIR
 CRISTALLO / RIVOLI
 RADIANT
 AXEL
 OXFORD LUX / MILLE NUITS
 CAPRI
 LA TOSCA
 TURANDOT
 CLASSIC

SPECIAL THANKS TO



www.atlasconcorde.com



SPECIAL THANKS TO
atlas concorde
www.atlasconcorde.com



LAVABO / WASHBASIN
 Art. 19538CR0L

VASCA / BATHTUB
 Art. 19526CR0L

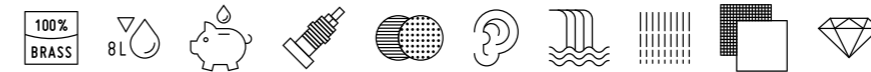
DOCCIA / SHOWER
 Art. 19537CRDL

ROYALE 80 / IMPERO
 FLEUR BLANC&NOIR
 CRISTALLO / RIVOLI
 RADIANT
 AXEL
 OXFORD LUX / MILLE NUITS
 CAPRI
 LA TOSCA
 TURANDOT
 CLASSIC



INFORMAZIONI TECNICHE

Technical details



VITONI: Le serie Oxford Lux, Mille Nuits, Capri sono dotate di vitoni a dischi ceramici 1/4 giro.

La temperatura d'impianto non deve superare i 70°C. La pressione di esercizio dell'impianto consigliata è di 3 bar.

EROGAZIONE: Le serie Oxford Lux, Mille Nuits, Capri hanno un tipo di erogazione morbida. **I lavabi e i bidet sono forniti con limitatore di portata da 6l/m, permettendo un notevole risparmio d'acqua.**

INSTALLAZIONE: Tutti gli articoli ad incasso Bongio completi sono forniti di relative parti incasso.

Gli articoli doccia e vasca esterni hanno un interasse di 15±20 mm.

Per gli articoli lavabo e bidet, monoforo e tre fori, da installarsi su piano, devono essere realizzati fori ø 35 mm massimo.

Rubinetteria abbinabile ad accessori Serie Axel pag. 888

MECHANISM: Oxford Lux, Mille Nuits, Capri series has 1/4' turn ceramic disc mechanism.

The temperature of the plant should not exceed 70 degrees. The suggested working pressure of the plant has to be 3 bar.

SUPPLY: Oxford Lux, Mille Nuits, Capri series has a soft supply. **Basin and bidet mixers have a standard limitation of flow to 6l/m which reduces the water waste.**

INSTALLATION: All the built-in Bongio items are available with universal raw built-in body.

All the external shower and bath mixers have the 15±20 mms interaxe.

For the basin and bidet mixers - single or three holes - to be place on top deck, they require ø 35 mms maximum holes.

Collection to match with Axel accessories pag. 888

MANIGLIE / LEVERS



OL
19... OXFORD LUX
Porcellana Bianca /
White Porcelain



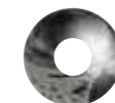
NU
22... MILLE NUITS
Porcellana Nera /
Black Porcelain



CI
17... CAPRI
Cromo /
Chrome

FINITURE E COLORI / FINISHES AND COLOURS

DETTAGLI / MORE INFO PAG. 38



CR
Cromo
Chrome



NI
Nichel Lucido
Light Nickel



NS
Nichel Spazzolato
Brushed Nickel



PL
Platinum
Platinum



OR
Oro 24kt
24kt Gold



BM
Bronzo Opaco
Matt Bronze



NE*
Nero Opaco
Matt Black
(RAL 9005)

* Disponibile su richiesta / Available on request

SPECIAL THANKS TO

 **atlas concorde**

www.atlasconcorde.com

LAVABO / WASHBASIN
Art. 19538CR0L

19501-22501-17501

Gruppo lavabo tre fori completo di scarico 1.1/4". Three holes basin mixer with 1.1/4" pop-up waste.



ARTICOLO COMPLETO / COMPLETE ITEM

19501CR0L - 22501CR00 - 17501CR00
CR

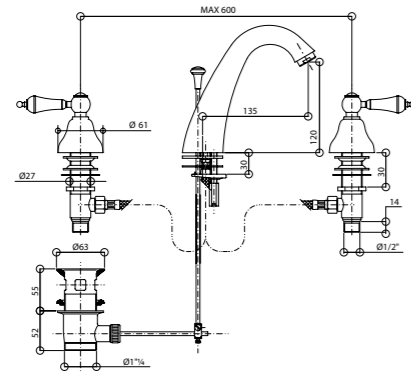
19501OR0L - 22501OR00 - 17501OR00
OR/BM/PL/NI/NE/NS

19501XX0L - 22501XX00 - 17501XX00 *
XX

* XX: Per tutte le altre finiture fattibili riferirsi a questa fascia di prezzo. / Refer to this line of price for all other realizable finishes.

Non disponibile in TT - BU - ON - FA - AM - CM - OM - IM - NM - HM / Not available TT - BU - ON - FA - AM - CM - OM - IM - NM - HM

ABBINABILE A / TO MATCH WITH:
Sifone / Siphon - **00065**



RICAMBI / SPARE PARTS

	9791 *		9792 □
	9998CR		

* Calda / Hot
□ Fredda / Cold

19503-22503-17503

Gruppo bidet tre fori con bocca completa di scarico 1.1/4". Three holes bidet mixer with spout and 1.1/4" pop-up waste.



ARTICOLO COMPLETO / COMPLETE ITEM

19503CR0L - 22503CR00 - 17503CR00
CR

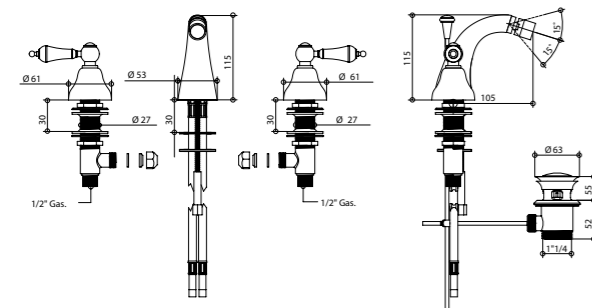
19503OR0L - 22503OR00 - 17503OR00
OR/BM/PL/NI/NE/NS

19503XX0L - 22503XX00 - 17503XX00 *
XX

* XX: Per tutte le altre finiture fattibili riferirsi a questa fascia di prezzo. / Refer to this line of price for all other realizable finishes.

Non disponibile in TT - FA - AM - CM - OM - IM - NM - HM / Not available TT - FA - AM - CM - OM - IM - NM - HM

ABBINABILE A / TO MATCH WITH:
Sifone / Siphon - **00066**



RICAMBI / SPARE PARTS

	9791 *		9792 □
	9979CR		

* Calda / Hot
□ Fredda / Cold

FINITURE E COLORI / FINISHES AND COLOURS



AXEL - ACCESSORI IN ABBINAMENTO / MATCHING ACCESSORIES PAG.888

* Disponibile su richiesta / Available on demand

19521-22521-17521

Monoforo lavabo completo di scarico 1.1/4". Single hole basin mixer with 1.1/4" pop-up waste.



ARTICOLO COMPLETO / COMPLETE ITEM

19521CR0L - 22521CR00 - 17521CR00
CR

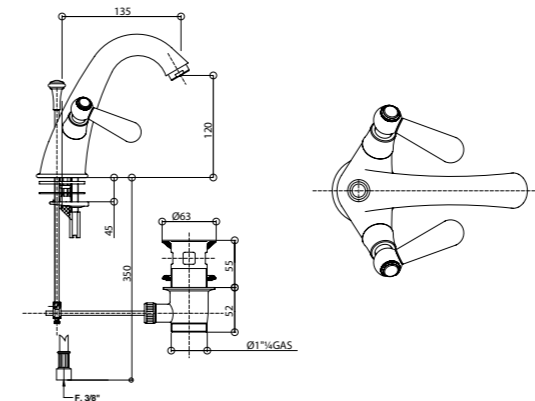
19521OR0L - 22521OR00 - 17521OR00
OR/BM/PL/NI/NE/NS

19521XX0L - 22521XX00 - 17521XX00 *
XX

* XX: Per tutte le altre finiture fattibili riferirsi a questa fascia di prezzo. / Refer to this line of price for all other realizable finishes.

Non disponibile in TT - BU - ON - FA - AM - CM - OM - IM - NM - HM / Not available TT - BU - ON - FA - AM - CM - OM - IM - NM - HM

ABBINABILE A / TO MATCH WITH:
Sifone / Siphon - **00065**



PROLUNGA / MIXER EXTENSION

	945CR15
--	----------------

RICAMBI / SPARE PARTS

	9792 *		9791 □
	9998CR		

* Calda / Hot
□ Fredda / Cold

19522-22522-17522

Monoforo bidet completo di scarico 1.1/4". Single hole bidet mixer with 1.1/4" pop-up waste.



ARTICOLO COMPLETO / COMPLETE ITEM

19522CR0L - 22522CR00 - 17522CR00
CR

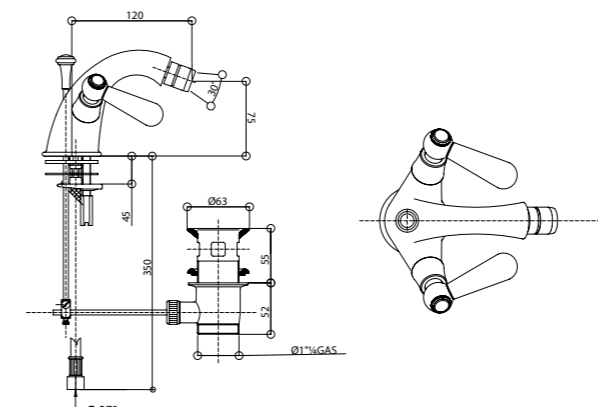
19522OR0L - 22522OR00 - 17522OR00
OR/BM/PL/NI/NE/NS

19522XX0L - 22522XX00 - 17522XX00 *
XX

* XX: Per tutte le altre finiture fattibili riferirsi a questa fascia di prezzo. / Refer to this line of price for all other realizable finishes.

Non disponibile in TT - BU - ON - FA - AM - CM - OM - IM - NM - HM / Not available TT - BU - ON - FA - AM - CM - OM - IM - NM - HM

ABBINABILE A / TO MATCH WITH:
Sifone / Siphon - **00066**



RICAMBI / SPARE PARTS

	9792 *		9791 □
	9978CR		

* Calda / Hot
□ Fredda / Cold

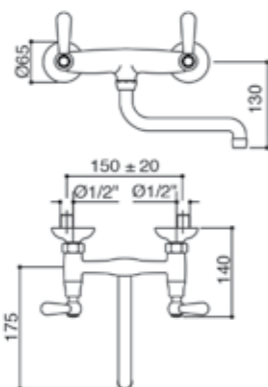
ACCESSORI E RICAMBI / ACCESSORIES AND SPARE PARTS



ROYALE 80 / IMPERO
FLEUR BLANC&NOIR
CRISTALLO / RIVOLI
RADIANT
AXEL
OXFORD LUX / MILLE NUITS / CAPRI
LA TOSCA
TURANDOT
CLASSIC

19570-22570-17570

Gruppo lavello a parete. Wall sink mixer.



ARTICOLO COMPLETO / COMPLETE ITEM

19570CR0L - 22570CR00 - 17570CR00
CR

19570OR0L - 22570OR00 - 17570OR00
OR/BM/PL/NI/NE/NS

19570XX0L - 22570XX00 - 17570XX00 *
XX

* XX: Per tutte le altre finiture fattibili riferirsi a questa fascia di prezzo. / Refer to this line of price for all other realizable finishes.

Non disponibile in TT - BU - ON - FA - AM - CM - OM - IM - NM - HM / Not available TT - BU - ON - FA - AM - CM - OM - IM - NM - HM

ABBINABILE A / TO MATCH WITH:
Sifone / Siphon - 00065
Piletta clic-clac / Clic-clac waste - 00079

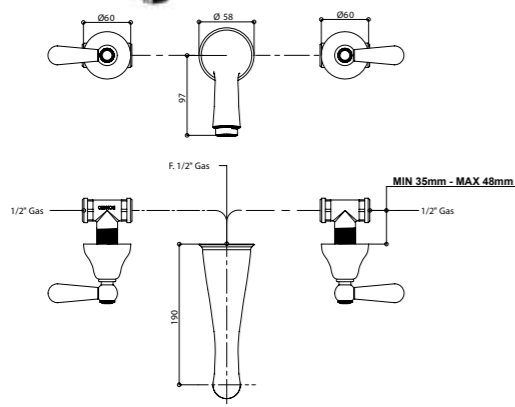
RICAMBI / SPARE PARTS

	9791 *		9792 □
	9996CR		

* Calda / Hot
□ Fredda / Cold

19538-22538-17538

Gruppo lavabo incasso a parete, bocca 190 mm. Wall basin mixer with mms. 190 spout.



ARTICOLO COMPLETO / COMPLETE ITEM

19538CR0L - 22538CR00 - 17538CR00
CR

PARTE INCASSO BUILT-IN PART PARTE ESTERNA DA ABBINARE EXTERNAL MATCHING PART

09767/OX

FINITURE / FINISHES

19538CR0LEU
22538CREU
17538CREU
CR

19538OR0LEU
22538OREU
17538OREU
OR/BM/PL/NI/NE/NS

19538XX0LEU
22538XXEU *
17538XXEU *
XX

* XX: Per tutte le altre finiture fattibili riferirsi a questa fascia di prezzo. / Refer to this line of price for all other realizable finishes.

Non disponibile in TT - BU - ON - FA - AM - CM - OM - IM - NM - HM / Not available TT - BU - ON - FA - AM - CM - OM - IM - NM - HM

ABBINABILE A / TO MATCH WITH:
Sifone / Siphon - 00065
Piletta clic-clac / Clic-clac waste - 00079

PROLUNGA / MIXER EXTENSION

	0008300CS 2 pz. per articolo Cad. / Each / 2 pcs needed
--	---

RICAMBI / SPARE PARTS

	9791 *		9792 □
	9998CR		

* Calda / Hot
□ Fredda / Cold

FINITURE E COLORI / FINISHES AND COLOURS

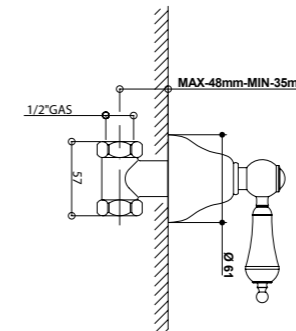


AXEL - ACCESSORI IN ABBINAMENTO / MATCHING ACCESSORIES PAG.888

* Disponibile su richiesta / Available on demand

19500-22500-17500

Rubinetto incasso 1/2". 1/2" built-in tap.



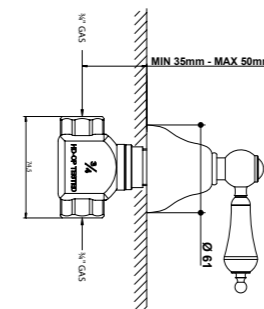
RICAMBI / SPARE PARTS

	9791 *		9792 □
--	--------	--	--------

* Calda / Hot
□ Fredda / Cold

19498-22498-17498

Rubinetto incasso da 3/4" vitone 3/4" built-in tap traditional mechanism.



RICAMBI / SPARE PARTS

	9804 *		9804 □
--	--------	--	--------

* Calda / Hot
□ Fredda / Cold

ARTICOLO COMPLETO / COMPLETE ITEM

19500CR0L - 22500CR00 - 17500CR00
CR

PARTE INCASSO BUILT-IN PART PARTE ESTERNA DA ABBINARE EXTERNAL MATCHING PART

FINITURE / FINISHES

09777
CALDA / hot

19500CR0LEU
22500CREU
17500CREU
CR

09774
FREDDA / cold

19500OR0LEU
22500OREU
17500OREU
OR/BM/PL/NI/NE/NS

19500XX0LEU
22500XXEU *
17500XXEU *
XX

* XX: Per tutte le altre finiture fattibili riferirsi a questa fascia di prezzo. / Refer to this line of price for all other realizable finishes.

Non disponibile in TT - BU - ON - FA - AM - CM - OM - IM - NM - HM / Not available TT - BU - ON - FA - AM - CM - OM - IM - NM - HM

PROLUNGA / MIXER EXTENSION

	0008300CS
--	-----------

ARTICOLO COMPLETO / COMPLETE ITEM

19498CR0L - 22498CR00 - 17498CR00
CR

PARTE INCASSO BUILT-IN PART PARTE ESTERNA DA ABBINARE EXTERNAL MATCHING PART

FINITURE / FINISHES

09772
CALDA / hot

19498CR0LEU
22498CREU
17498CREU
CR

09772
FREDDA / cold

19498OR0LEU
22498OREU
17498OREU
OR/BM/PL/NI/NE/NS

19498XX0LEU
22498XXEU *
17498XXEU *
XX

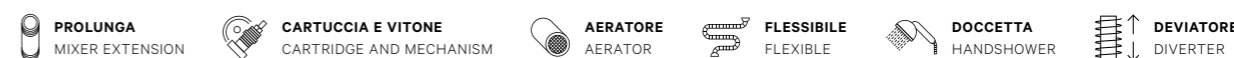
* XX: Per tutte le altre finiture fattibili riferirsi a questa fascia di prezzo. / Refer to this line of price for all other realizable finishes.

Non disponibile in TT - BU - ON - FA - AM - CM - OM - IM - NM - HM / Not available TT - BU - ON - FA - AM - CM - OM - IM - NM - HM

PROLUNGA / MIXER EXTENSION

	0008300CS
--	-----------

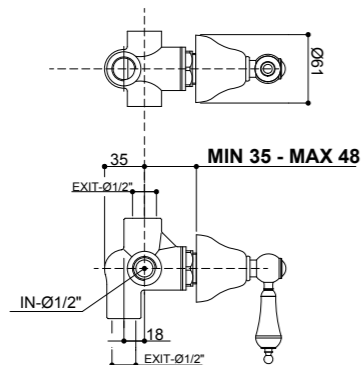
ACCESSORI E RICAMBI / ACCESSORIES AND SPARE PARTS



ROYALE 80 / IMPERO
FLEUR BLANC&NOIR
CRISTALLO / RIVOLI
RADIANT
AXEL
OXFORD LUX / MILLE NUITS CAPRI
LA TOSCA
TURANDOT
CLASSIC

19525-22525-17525

Deviatore 2 uscite (2 entrate 2 uscite). 2 exit built-in diverter (2 in - 2 out).

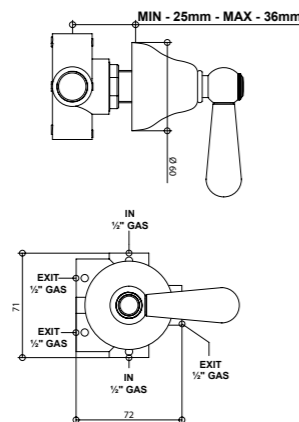


RICAMBI / SPARE PARTS

00112DM

19525/5-22525/5-17525/5

Deviatore 3 uscite (2 entrate 3 uscite). 3 exit diverter (2 in - 3 out).



FINITURE E COLORI / FINISHES AND COLOURS



ARTICOLO COMPLETO / COMPLETE ITEM

19525CR0L - 22525CR00 - 17525CR00
CR

PARTE INCASSO BUILT-IN PART **PARTE ESTERNA DA ABBINARE EXTERNAL MATCHING PART**

09496

FINITURE / FINISHES

19525CR0LEU
22525CREU
17525CREU
CR

19525OR0LEU
22525OREU
17525OREU
OR/BM/PL/NI/NE/NS

19525XX0LEU
22525XXEU
17525XXEU *
XX

* XX: Per tutte le altre finiture fattibili riferirsi a questa fascia di prezzo. / Refer to this line of price for all other realizable finishes.

Non disponibile in TT - BU - ON - FA - AM - CM - OM - IM - NM - HM / Not available TT - BU - ON - FA - AM - CM - OM - IM - NM - HM

PROLUNGA / MIXER EXTENSION

0008300CS

ARTICOLO COMPLETO / COMPLETE ITEM

19525CR05 - 22525CR05 - 17525CR05
CR

PARTE INCASSO BUILT-IN PART **PARTE ESTERNA DA ABBINARE EXTERNAL MATCHING PART**

09495

FINITURE / FINISHES

19525CR5LEU
22525CR05EU
17525CR05EU
CR

19525OR5LEU
22525OR05EU
17525OR05EU
OR/BM/PL/NI/NE/NS

19525XX5LEU
22525XX05EU
17525XX05EU *
XX

* XX: Per tutte le altre finiture fattibili riferirsi a questa fascia di prezzo. / Refer to this line of price for all other realizable finishes.

Non disponibile in TT - BU - ON - FA - AM - CM - OM - IM - NM - HM / Not available TT - BU - ON - FA - AM - CM - OM - IM - NM - HM

PROLUNGA / MIXER EXTENSION

0008300CS

RICAMBI / SPARE PARTS

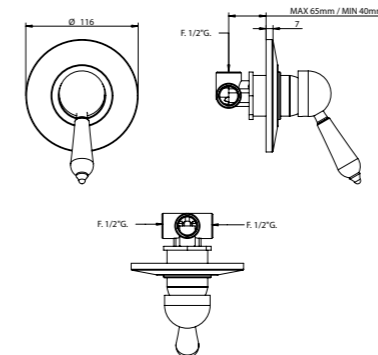
00113DM

AXEL - ACCESSORI IN ABBINAMENTO / MATCHING ACCESSORIES PAG.888

* Disponibile su richiesta / Available on demand

19524-22524-17524

Miscelatore incasso. Built-in mixer.



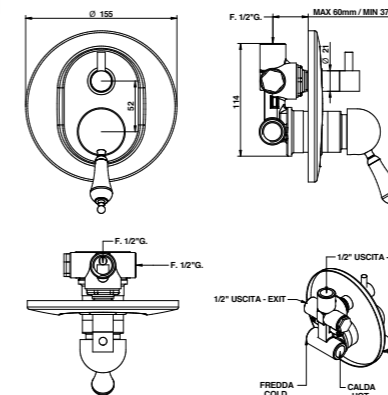
OPTIONAL: Scatola incasso per cartongesso / Built-in box for drywall and cavity wall **09702PBOX**

RICAMBI / SPARE PARTS

9813

19519-22519-17519

Miscelatore incasso con deviatore meccanico a due uscite. Built-in mixer with 2 exits mechanical diverter.



ACCESSORI E RICAMBI / ACCESSORIES AND SPARE PARTS



ARTICOLO COMPLETO / COMPLETE ITEM

19524CR0L - 22524CR00 - 17524CR00
CR

PARTE INCASSO BUILT-IN PART **PARTE ESTERNA DA ABBINARE EXTERNAL MATCHING PART**

09761

FINITURE / FINISHES

19524CR0LEU
22524CREU
17524CREU
CR

19524OR0LEU
22524OREU
17524OREU
OR/BM/PL/NI/NE/NS

19524XX0LEU
22524XXEU
17524XXEU *
XX

* XX: Per tutte le altre finiture fattibili riferirsi a questa fascia di prezzo. / Refer to this line of price for all other realizable finishes.

Non disponibile in TT - BU - ON - FA - AM - CM - OM - IM - NM - HM / Not available TT - BU - ON - FA - AM - CM - OM - IM - NM - HM

PROLUNGA / MIXER EXTENSION

00100CRPRR

ARTICOLO COMPLETO / COMPLETE ITEM

19519CR0L - 22519CR00 - 17519CR00
CR

PARTE INCASSO BUILT-IN PART **PARTE ESTERNA DA ABBINARE EXTERNAL MATCHING PART**

09763

FINITURE / FINISHES

19519CR0LEU
22519CREU
17519CREU
CR

19519OR0LEU
22519OREU
17519OREU
OR/BM/PL/NI/NE/NS

19519XX0LEU
22519XXEU
17519XXEU *
XX

* XX: Per tutte le altre finiture fattibili riferirsi a questa fascia di prezzo. / Refer to this line of price for all other realizable finishes.

Disponibile con deviatore automatico. / Available with automatic diverter.

Non disponibile in TT - BU - ON - FA - AM - CM - OM - IM - NM - HM / Not available TT - BU - ON - FA - AM - CM - OM - IM - NM - HM

PROLUNGA / MIXER EXTENSION

00102CRPRR

OPTIONAL: Scatola incasso per cartongesso / Built-in box for drywall and cavity wall **09702PBOX**

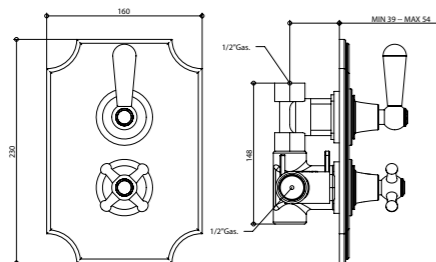
RICAMBI / SPARE PARTS

9813 **00114CRPR**

ROYALE 60 / IMPERO
FLEUR BLANC&NOIR
CRISTALLO / RIVOLI
RADIANT
AXEL
OXFORD LUX / MILLE NUITS CAPRI
LA TOSCA
TURANDOT
CLASSIC

19544-22544-17544

Termostatico doccia incasso 1/2". 1/2" built-in shower thermostatic mixer.



RICAMBI / SPARE PARTS

	8900TM *		9788 ◻
--	-----------------	--	---------------

* Cartuccia miscelatrice / Mixer cartridge
 ◻ Cartuccia di apertura-chiusura / Open-close cartridge

ARTICOLO COMPLETO / COMPLETE ITEM

19544CR0L - 22544CR00 - 17544CR00
 CR

PARTE INCASSO BUILT-IN PART	PARTE ESTERNA DA ABBINARE EXTERNAL MATCHING PART
--------------------------------	---

FINITURE / FINISHES

09787	19544CR0LEU 22544CREU 17544CREU CR
	19544OR0LEU 22544OREU 17544OREU OR/BM/PL/NI/NE/NS
	19544XX0LEU 22544XXEU 17544XXEU * XX

* XX: Per tutte le altre finiture fattibili riferirsi a questa fascia di prezzo. / Refer to this line of price for all other realizable finishes.

Portata a pressione dinamica 3 bar - 32 l/min - 38° Mix / Flow rates at dynamic pressure 3 bar - 32 l/min - 38° Mix

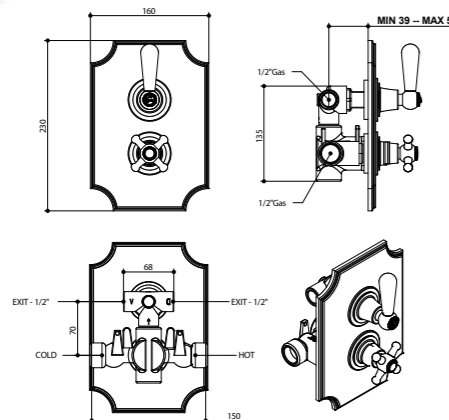
Non disponibile in TT - BU - ON - FA - AM - CM - OM - IM - NM - HM / Not available TT - BU - ON - FA - AM - CM - OM - IM - NM - HM

PROLUNGA / MIXER EXTENSION

	00105CRTCPR
--	--------------------

19549-22549-17549

Miscelatore termostatico incasso 1/2" con deviatore a 2 uscite. 1/2" built-in thermostatic mixer with 2 way diverter.



RICAMBI / SPARE PARTS

	8900TM *		9788/02 ◻
--	-----------------	--	------------------

* Cartuccia miscelatrice / Mixer cartridge
 ◻ Cartuccia di apertura-chiusura e deviazione / Diverter and open-close cartridge

ARTICOLO COMPLETO / COMPLETE ITEM

19549CR0L - 22549CR00 - 17549CR00
 CR

PARTE INCASSO BUILT-IN PART	PARTE ESTERNA DA ABBINARE EXTERNAL MATCHING PART
--------------------------------	---

FINITURE / FINISHES

09728	19549CR0LEU 22549CREU 17549CREU CR
	19549OR0LEU 22549OREU 17549OREU OR/BM/PL/NI/NE/NS
	19549XX0LEU 22549XXEU 17549XXEU * XX

* XX: Per tutte le altre finiture fattibili riferirsi a questa fascia di prezzo. / Refer to this line of price for all other realizable finishes.

Portata a pressione dinamica 3 bar - 23 l/min - 38° Mix - 3 bar - 15 l/min - 38° Mix / Flow rates at dynamic pressure 3 bar - 23 l/min - 38° Mix - 3 bar - 15 l/min - 38° Mix

Non disponibile in TT - BU - ON - FA - AM - CM - OM - IM - NM - HM / Not available TT - BU - ON - FA - AM - CM - OM - IM - NM - HM

PROLUNGA / MIXER EXTENSION

	00105CRTC49PR
--	----------------------

FINITURE E COLORI / FINISHES AND COLOURS

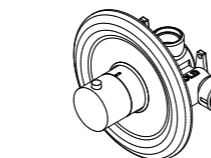
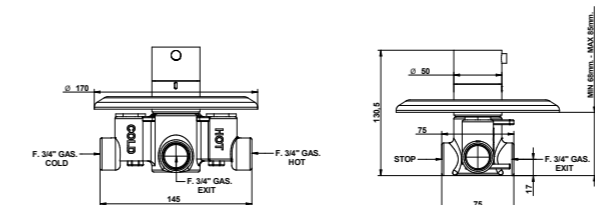


AXEL - ACCESSORI IN ABBINAMENTO / MATCHING ACCESSORIES PAG.888

* Disponibile su richiesta / Available on demand

15554

Termostatico incasso da 3/4" senza chiusura. 3/4" built-in thermostatic shower mixer without lock.



ARTICOLO COMPLETO / COMPLETE ITEM

15554CR00
 CR

PARTE INCASSO BUILT-IN PART	PARTE ESTERNA DA ABBINARE EXTERNAL MATCHING PART
--------------------------------	---

FINITURE / FINISHES

09700	15554CR0LEU CR
	15554NSEU NS/NE/PL/ON/BU/BI/RB
	15554OREU OR/CO/CN
	15554OPEU OP/CM/IM/NM/HM/OM/BM
	15554XXEU * XX

* XX: Per tutte le altre finiture fattibili riferirsi a questa fascia di prezzo. / Refer to this line of price for all other realizable finishes.

ABBINABILE A / TO MATCH WITH:
 Rubinetto incasso / Built-in tap - ...500 - ...498

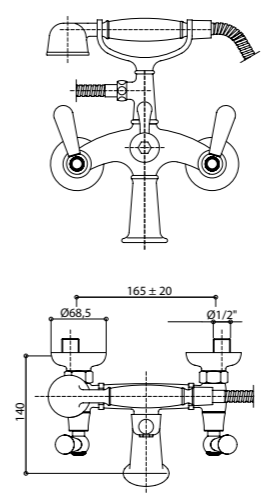
RICAMBI / SPARE PARTS

	9837
--	-------------

19526-22526-17526

Gruppo vasca esterno con set doccia. External bath and shower mixer with shower set.

Dettaglio flessibili / Flexible details pag. 42



ARTICOLO COMPLETO / COMPLETE ITEM

19526CR0L - 22526CR00 - 17526CR00
 CR

19526OR0L - 22526OR00 - 17526OR00 *
 OR/BM/PL/NI/NE/NS

19526XX0L - 22526XX00 - 17526XX00 ◻
 XX

* Nelle varianti colore verniciate e satinare alcuni particolari saranno in finitura galvanica per garantire gli standard qualitativi. / To assure our quality standard on colored and satin product, some details remain in galvanic finishes.
 ◻ XX: Per tutte le altre finiture fattibili riferirsi a questa fascia di prezzo. / Refer to this line of price for all other realizable finishes.

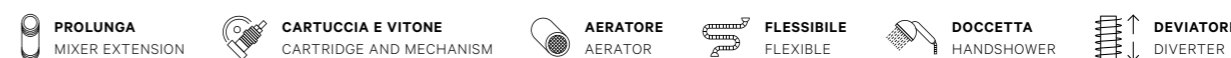
Non disponibile in TT - BU - ON - FA - AM - CM - OM - IM - NM - HM / Not available TT - BU - ON - FA - AM - CM - OM - IM - NM - HM

RICAMBI / SPARE PARTS

	9791 *		9792 ◻
	9600CR		00851CR00
	0011700DV		00851XX00 ◻
	9600XX00 ◻		

* Calda / Hot
 ◻ Fredda / Cold
 ◻ Ricambio per finiture diverse dal cromo. / Spare part for different finishes.
 ◻ Nelle finiture verniciate e satinare i flessibili verranno forniti con calotta in delrin nero. / For painted and matt finishes, the flexible hoses will be supplied with black delrin conical connection.

ACCESSORI E RICAMBI / ACCESSORIES AND SPARE PARTS

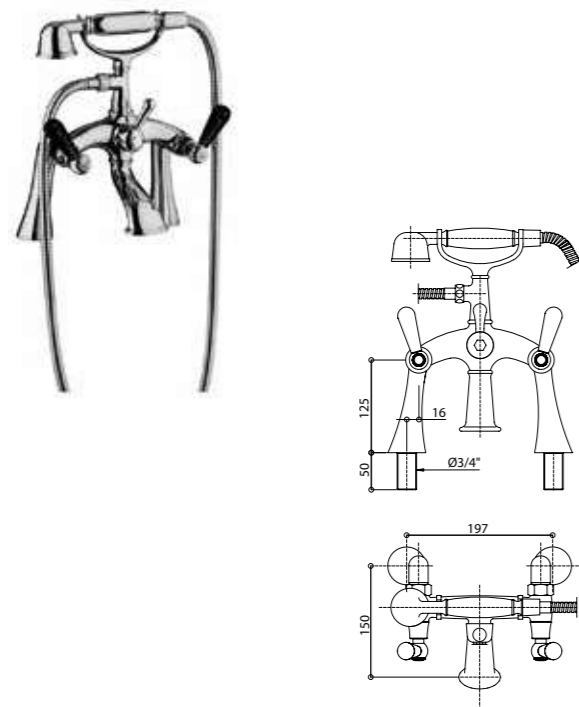


ROYALE 80 / IMPERO
 FLEUR BLANC&NOIR
 CRISTALLO / RIVOLI
 RADIANT
 AXEL
 OXFORD LUX / MILLE NUITS / CAPRI
 LA TOSCA
 TURANDOT
 CLASSIC

19527-22527-17527

Gruppo vasca esterno su colonnette con set doccia. External bath and shower mixer on pillar connection with shower set.

Dettaglio flessibili / Flexible details pag. 42



ARTICOLO COMPLETO / COMPLETE ITEM

19527CR0L - 22527CR00 - 17527CR00 CR

19527OR0L - 22527OR00 - 17527OR00 * OR/BM/PL/NI/NE/NS

19527XX0L - 22527XX00 - 17527XX00 □ XX

* Nelle varianti colore verniciate e satinare alcuni particolari saranno in finitura galvanica per garantire gli standard qualitativi. / To assure our quality standard on colored and satin product, some details remain in galvanic finishes.
□ XX: Per tutte le altre finiture fattibili riferirsi a questa fascia di prezzo. / Refer to this line of price for all other realizable finishes.

Non disponibile in TT - BU - ON - FA - AM - CM - OM - IM - NM - HM / Not available TT - BU - ON - FA - AM - CM - OM - IM - NM - HM

RICAMBI / SPARE PARTS

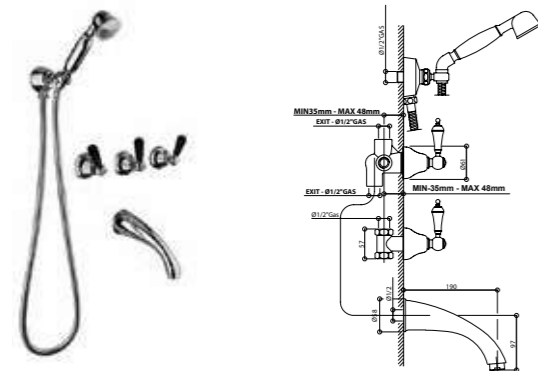
	9791 *		9792 □
	9600CR		00851CR00
	0011700DV		00851XX00 □
	9600XX00 △		

* Calda / Hot
□ Fredda / Cold
□ Ricambio per finiture diverse dal cromo. / Spare part for different finishes.
△ Nelle finiture verniciate e satinare i flessibili verranno forniti con calotta in delrin nero. / For painted and matt finishes, the flexible hoses will be supplied with black delrin conical connection.

19530/D-22530/D-17530/D

Gruppo vasca incasso con set doccia duplex. Built-in bath and shower mixer with duplex shower set.

Dettaglio flessibili / Flexible details pag. 42



ARTICOLO COMPLETO / COMPLETE ITEM

19530CRDL - 22530CR0D - 17530CR0D CR

PARTE INCASSO BUILT-IN PART PARTE ESTERNA DA ABBINARE EXTERNAL MATCHING PART

09680/OX

FINITURE / FINISHES

19530CRDLEU
22530CR0DEU
17530CR0DEU CR

19530ORDLEU
22530OR0DEU
17530OR0DEU * OR/BM/PL/NI/NE/NS

19530XXDLEU
22530XX0DEU
17530XX0DEU □ XX

* Nelle varianti colore verniciate e satinare alcuni particolari saranno in finitura galvanica per garantire gli standard qualitativi. / To assure our quality standard on colored and satin product, some details remain in galvanic finishes.
□ XX: Per tutte le altre finiture fattibili riferirsi a questa fascia di prezzo. / Refer to this line of price for all other realizable finishes.

Non disponibile in TT - BU - ON - FA - AM - CM - OM - IM - NM - HM / Not available TT - BU - ON - FA - AM - CM - OM - IM - NM - HM

PROLUNGA / MIXER EXTENSION

0008300CS
3 pz. per articolo Cad. / Each / 3 pcs needed

RICAMBI / SPARE PARTS

	9791 *		9792 □
	09997CR		9600CR
	00851CR00		00112DM
	00851XX00 □		9600XX00 △

* Calda / Hot
□ Fredda / Cold
□ Ricambio per finiture diverse dal cromo. / Spare part for different finishes.
△ Nelle finiture verniciate e satinare i flessibili verranno forniti con calotta in delrin nero. / For painted and matt finishes, the flexible hoses will be supplied with black delrin conical connection.

FINITURE E COLORI / FINISHES AND COLOURS



AXEL - ACCESSORI IN ABBINAMENTO / MATCHING ACCESSORIES PAG.888

* Disponibile su richiesta / Available on demand

19531/D-22531/D-17531/D

Gruppo bordo vasca cinque fori con set doccia. Five holes deck bath and shower mixer with shower set.



ARTICOLO COMPLETO / COMPLETE ITEM

19531CRDL - 22531CR0D - 17531CR0D CR

19531ORDL - 22531OR0D - 17531OR0D * OR/BM/PL/NI/NE/NS

19531XXDL - 22531XX0D - 17531XX0D □ XX

* Nelle varianti colore verniciate e satinare alcuni particolari saranno in finitura galvanica per garantire gli standard qualitativi. / To assure our quality standard on colored and satin product, some details remain in galvanic finishes.
□ XX: Per tutte le altre finiture fattibili riferirsi a questa fascia di prezzo. / Refer to this line of price for all other realizable finishes.

Non disponibile in TT - BU - ON - FA - AM - CM - OM - IM - NM - HM / Not available TT - BU - ON - FA - AM - CM - OM - IM - NM - HM

RICAMBI / SPARE PARTS

	9791 *		9792 □
	09997CR		09607CR
	00851CRBV		00112VI
	00851XXBV □		

* Calda / Hot
□ Fredda / Cold
□ Ricambio per finiture diverse dal cromo. / Spare part for different finishes.

19535/D-22535/D-17535/D

Gruppo bordo vasca, cinque fori con bocca a cascata. Five holes deck bath and shower mixer with waterfall spout.



ARTICOLO COMPLETO / COMPLETE ITEM

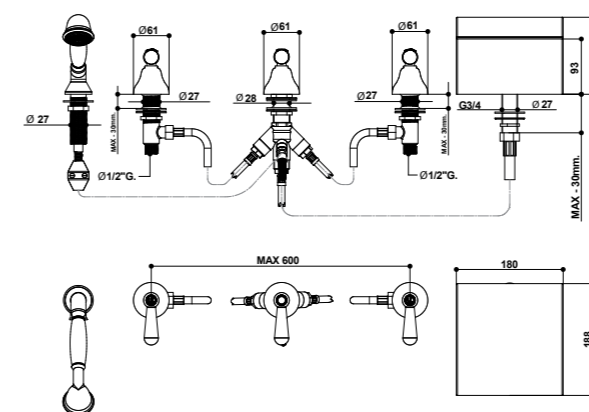
19535CRDL - 22535CR0D - 17535CR0D CR

19535ORDL - 22535OR0D - 17535OR0D OR/PL/NI/NS

19535XXDL - 22535XX0D - 17535XX0D * XX

* XX: Per tutte le altre finiture fattibili riferirsi a questa fascia di prezzo. / Refer to this line of price for all other realizable finishes.

Non disponibile in TT - BU - ON - FA - AM - CM - OM - IM - NM - HM / Not available TT - BU - ON - FA - AM - CM - OM - IM - NM - HM

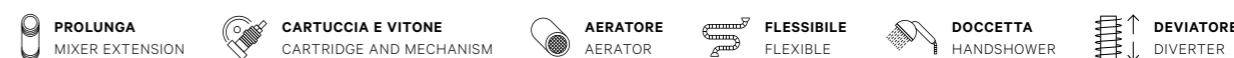


RICAMBI / SPARE PARTS

	9791 *		9792 □
	09607CR		00851CRBV
	00112VI		00851XXBV □

* Calda / Hot
□ Fredda / Cold
□ Ricambio per finiture diverse dal cromo. / Spare part for different finishes.

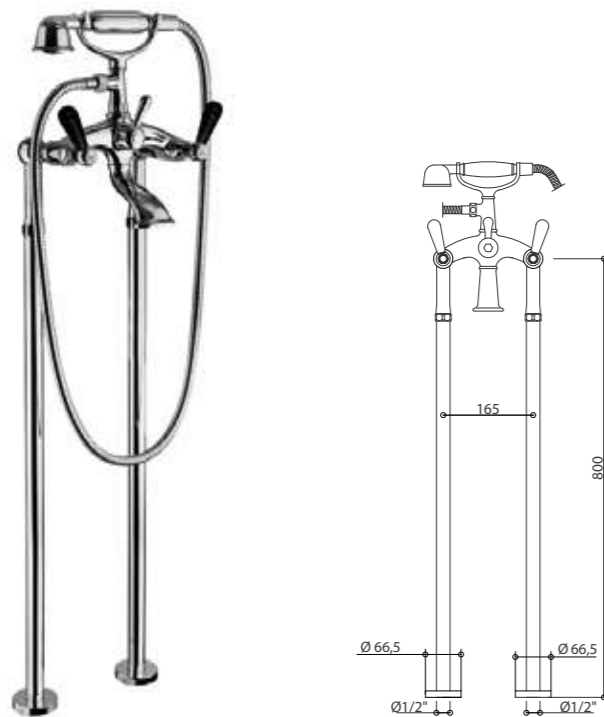
ACCESSORI E RICAMBI / ACCESSORIES AND SPARE PARTS



19528-22528-17528

Gruppo vasca esterno su colonnette da terra con set doccia. Floor mounted bath and shower mixer with shower set.

Dettaglio flessibili / Flexible details pag. 42



ARTICOLO COMPLETO / COMPLETE ITEM

19528CR0L - 22528CR00 - 17528CR00
CR

19528OR0L - 22528OR00 - 17528OR00 *
OR/BM/PL/NI/NE/NS

19528XX0L - 22528XX00 - 17528XX00 □
XX

* Nelle varianti colore verniciate e satinare alcuni particolari saranno in finitura galvanica per garantire gli standard qualitativi. / To assure our quality standard on colored and satin product, some details remain in galvanic finishes.

□ XX: Per tutte le altre finiture fattibili riferirsi a questa fascia di prezzo. / Refer to this line of price for all other realizable finishes.

Non disponibile in TT - BU - ON - FA - AM - CM - OM - IM - NM - HM / Not available TT - BU - ON - FA - AM - CM - OM - IM - NM - HM

RICAMBI / SPARE PARTS

	9791 *		9792 □
	9600CR		00851CR00
	0011700DV		00851XX00 □
	9600XX00 ▲		

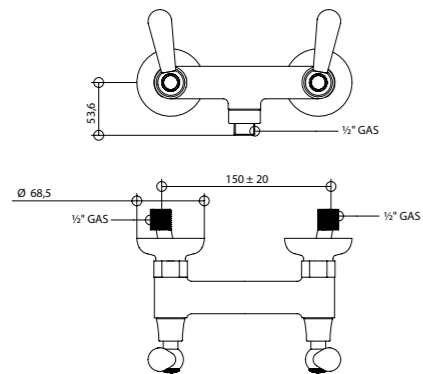
* Calda / Hot
□ Fredda / Cold

□ Ricambio per finiture diverse dal cromo. / Spare part for different finishes.

* Nelle finiture verniciate e satinare i flessibili verranno forniti con calotta in delrin nero. / For painted and matt finishes, the flexible hoses will be supplied with black delrin conical connection.

19523-22523-17523

Gruppo doccia esterno. External shower mixer.



ARTICOLO COMPLETO / COMPLETE ITEM

19523CR0L - 22523CR00 - 17523CR00
CR

19523OR0L - 22523OR00 - 17523OR00 *
OR/BM/PL/NI/NE/NS

19523XX0L - 22523XX00 - 17523XX00 □
XX

* XX: Per tutte le altre finiture fattibili riferirsi a questa fascia di prezzo. / Refer to this line of price for all other realizable finishes.

Non disponibile in TT - BU - ON - FA - AM - CM - OM - IM - NM - HM / Not available TT - BU - ON - FA - AM - CM - OM - IM - NM - HM

ABBINABILE A / TO MATCH WITH:

Asta saliscendi / Sliding rail - 870

Set doccia / Duplex set - 831

RICAMBI / SPARE PARTS

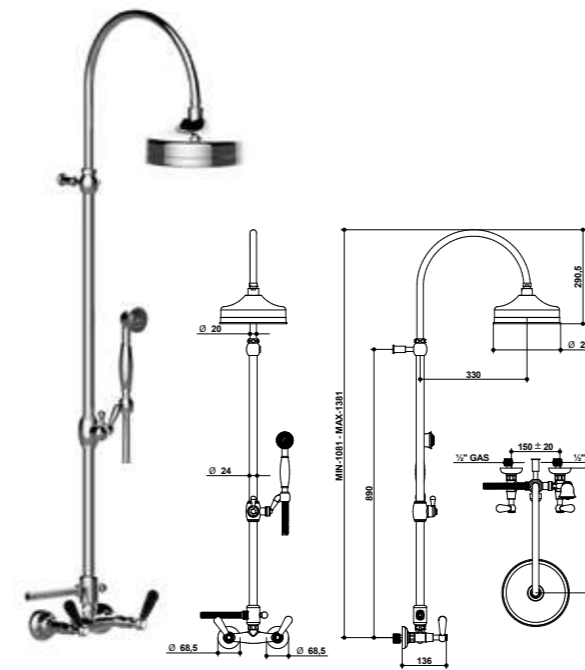
	9791 *		9792 □
--	--------	--	--------

* Calda / Hot
□ Fredda / Cold

19537/D-22537/D-17537/D

Gruppo doccia esterno con tubo, soffione e set doccia duplex. External shower mixer with tube, shower head and duplex shower set.

Dettaglio flessibili / Flexible details pag. 42



ARTICOLO COMPLETO / COMPLETE ITEM

19537CRDL - 22537CR0D - 17537CR0D
CR

19537ORDL - 22537OR0D - 17537OR0D *
OR/BM/PL/NI/NE/NS

19537XXDL - 22537XX0D - 17537XX0D □
XX

* XX: Per tutte le altre finiture fattibili riferirsi a questa fascia di prezzo. / Refer to this line of price for all other realizable finishes.

Non disponibile in TT - BU - ON - FA - AM - CM - OM - IM - NM - HM / Not available TT - BU - ON - FA - AM - CM - OM - IM - NM - HM

RICAMBI / SPARE PARTS

	9792 *		9791 □
	10860CR		9600CR
	00851CR00		121CRCL
	00851XX00 □		9600XX00 ▲
	10860XX00 □		

* Calda / Hot
□ Fredda / Cold

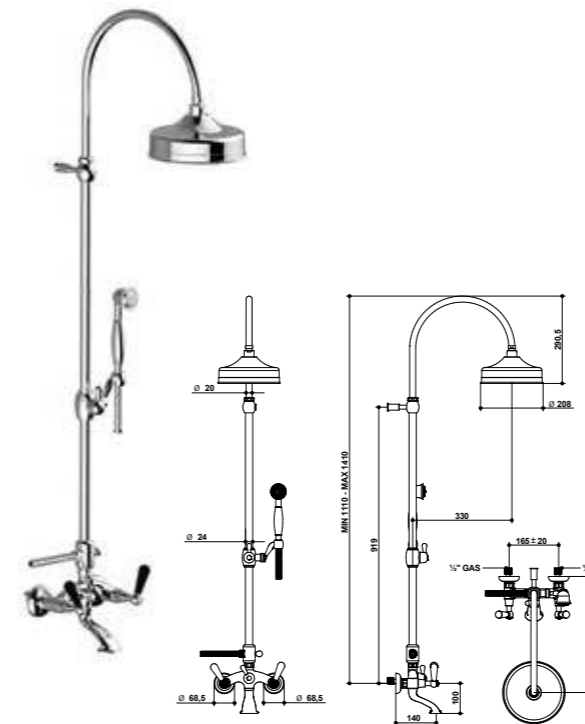
□ Ricambio per finiture diverse dal cromo. / Spare part for different finishes.

* Nelle finiture verniciate e satinare i flessibili verranno forniti con calotta in delrin nero. / For painted and matt finishes, the flexible hoses will be supplied with black delrin conical connection.

19536/D-22536/D-17536/D

Gruppo vasca doccia esterno con set doccia. External bath shower and shower mixer with shower set.

Dettaglio flessibili / Flexible details pag. 42



ARTICOLO COMPLETO / COMPLETE ITEM

19536CRDL - 22536CR0D - 17536CR0D
CR

19536ORDL - 22536OR0D - 17536OR0D *
OR/BM/PL/NI/NE/NS

19536XXDL - 22536XX0D - 17536XX0D □
XX

* XX: Per tutte le altre finiture fattibili riferirsi a questa fascia di prezzo. / Refer to this line of price for all other realizable finishes.

Non disponibile in TT - BU - ON - FA - AM - CM - OM - IM - NM - HM / Not available TT - BU - ON - FA - AM - CM - OM - IM - NM - HM

RICAMBI / SPARE PARTS

	9791 *		9792 □
	10860CR		9600CR
	00851CR00		121CRCL
	0011700DV		9600XX00 □
	10860XX00 ▲		00851XX00 ▲

* Calda / Hot
□ Fredda / Cold

□ Nelle finiture verniciate e satinare i flessibili verranno forniti con calotta in delrin nero. / For painted and matt finishes, the flexible hoses will be supplied with black delrin conical connection.

▲ Ricambio per finiture diverse dal cromo. / Spare part for different finishes.

FINITURE E COLORI / FINISHES AND COLOURS



AXEL - ACCESSORI IN ABBINAMENTO / MATCHING ACCESSORIES PAG.888

* Disponibile su richiesta / Available on demand

ACCESSORI E RICAMBI / ACCESSORIES AND SPARE PARTS

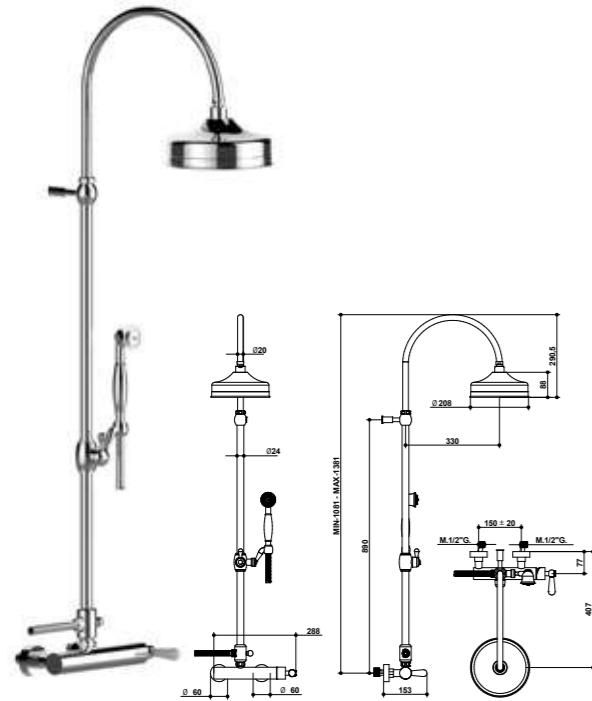


ROYALE 60 / IMPERO
FLEUR BLANC&NOIR
CRISTALLO / RIVOLI
RADIANT
AXEL
OXFORD LUX / MILLE NUITS
CAPRI
LA TOSCA
TURANDOT
CLASSIC

19555/D-22555/D-17555/D

Miscelatore doccia esterno con tubo, soffione e set doccia duplex. External shower mixer with tube, shower head and duplex shower set.

Dettaglio flessibili / Flexible details pag. 42



ARTICOLO COMPLETO / COMPLETE ITEM

19555CRDL - 22555CR0D - 17555CR0D
CR

19555ORDL - 22555OR0D - 17555OR0D
OR/BM/PL/NI/NE/NS

19555XXDL - 22555XX0D - 17555XX0D *
XX

* XX: Per tutte le altre finiture fattibili riferirsi a questa fascia di prezzo. / Refer to this line of price for all other realizable finishes.

Non disponibile in TT - BU - ON - FA - AM - CM - OM - IM - NM - HM / Not available TT - BU - ON - FA - AM - CM - OM - IM - NM - HM

Nelle varianti colore verniciate e satinare alcuni particolari saranno in finitura galvanica per garantire gli standard qualitativi. / To assure our quality standard on colored and satin product, some details remain in galvanic finishes.

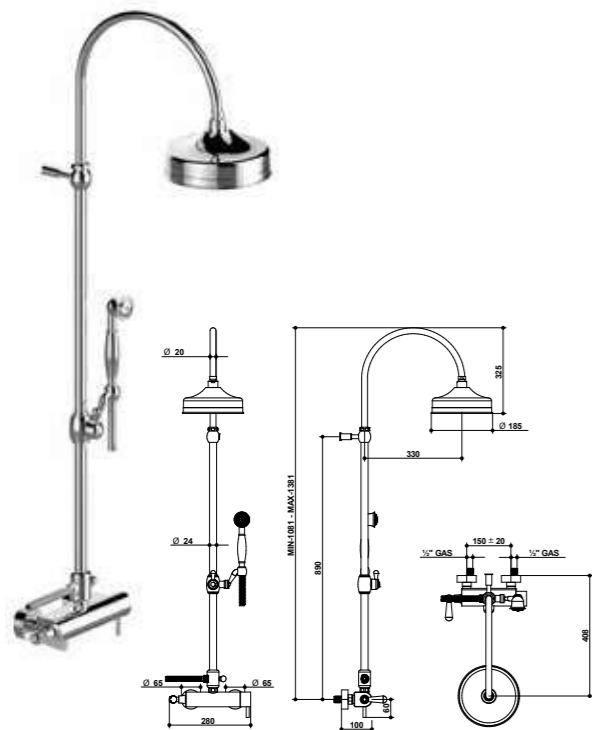
RICAMBI / SPARE PARTS

	9813		10860CR
	00121CRCL		9600CR
	9600XX00 *		00851CR00
	00851XX00 ◻		10860XX00 ◻

* Nelle finiture verniciate e satinare i flessibili verranno forniti con calotta in delrin nero. / For painted and matt finishes, the flexible hoses will be supplied with black delrin conical connection.
◻ Ricambio per finiture diverse dal cromo. / Spare part for different finishes.

19547/D-22547/D-17547/D

Gruppo doccia esterno termostatico con tubo, soffione e set doccia duplex. External shower thermostatic with tube, shower head and duplex shower set.



ARTICOLO COMPLETO / COMPLETE ITEM

19547CRDL - 22547CR0D - 17547CR0D
CR

19547ORDL - 22547OR0D - 17547OR0D
OR/BM/PL/NI/NE/NS

19547XXDL - 22547XX0D - 17547XX0D *
XX

* XX: Per tutte le altre finiture fattibili riferirsi a questa fascia di prezzo. / Refer to this line of price for all other realizable finishes.

Non disponibile in OM - AM - CM - IM / Not available OM - AM - CM - IM

RICAMBI / SPARE PARTS

	8900ES *		9792 ◻
	10860CR		00121CRCL
	9600CR		9600XX00 ◻
	00851CR00		00851XX00 ◻
	10860XX00 ◻		

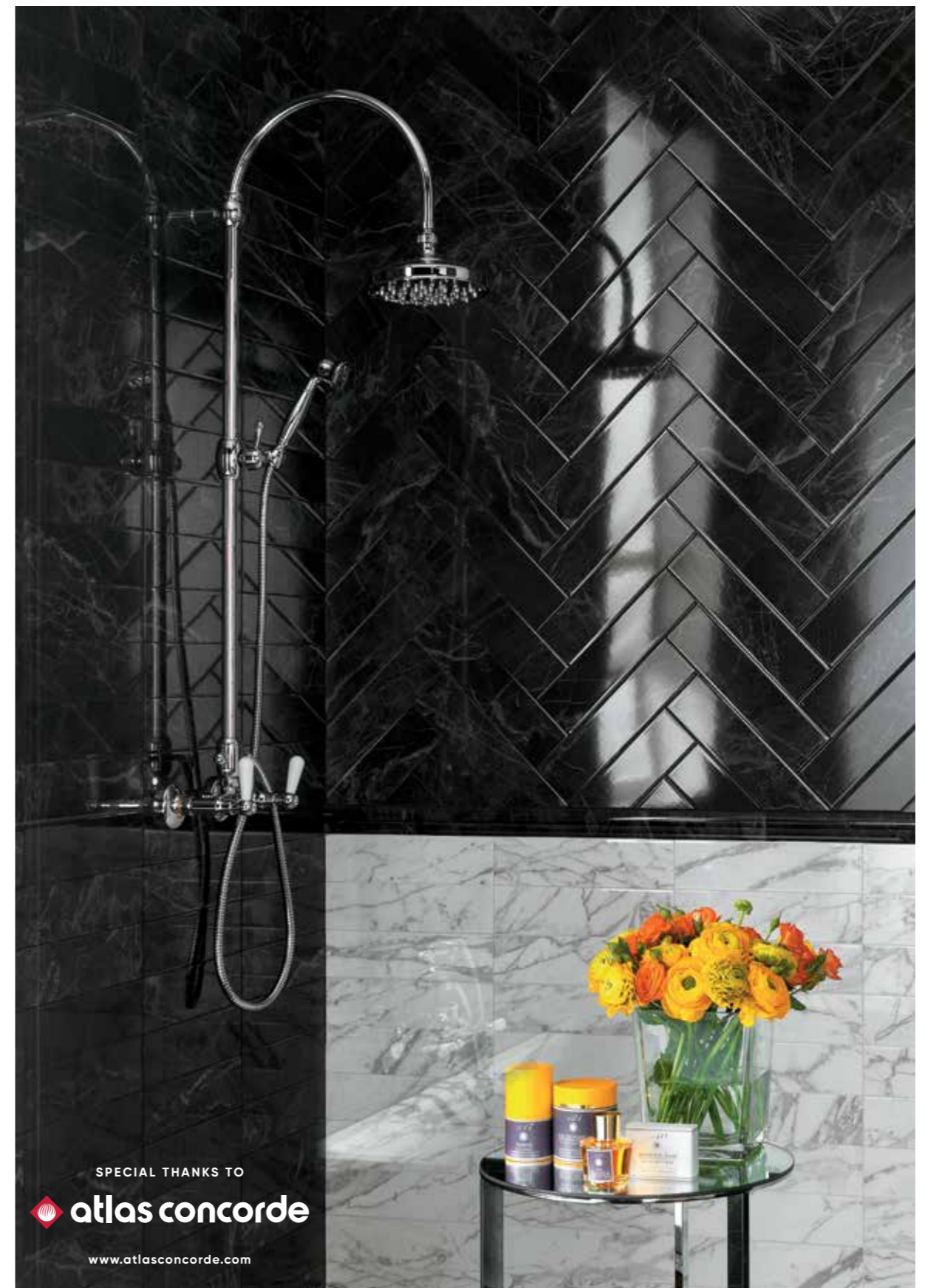
* Cartuccia miscelatrice / Mixer cartridge
◻ Cartuccia di apertura-chiusura / Open-close cartridge
◻ Nelle finiture verniciate e satinare i flessibili verranno forniti con calotta in delrin nero. / For painted and matt finishes, the flexible hoses will be supplied with black delrin conical connection.
◻ Ricambio per finiture diverse dal cromo. / Spare part for different finishes.

FINITURE E COLORI / FINISHES AND COLOURS



AXEL - ACCESSORI IN ABBINAMENTO / MATCHING ACCESSORIES PAG.888

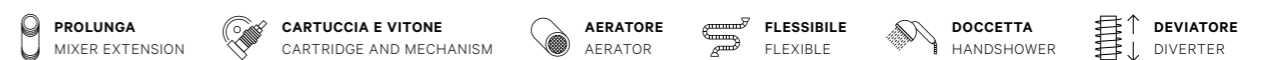
* Disponibile su richiesta / Available on demand



SPECIAL THANKS TO
atlas concorde
www.atlasconcorde.com

DOCCIA / SHOWER
Art. 19537CRDL

ACCESSORI E RICAMBI / ACCESSORIES AND SPARE PARTS



ROYALE 60 / IMPERO
FLEUR BLANC&NOIR
CRISTALLO / RIVOLI
RADIANT
AXEL
OXFORD LUX / MILLE NUITS
CAPRI
LA TOSCA
TURANDOT
CLASSIC

LA TOSCA

DESIGN CENTER DIRECTED BY
ANTONIO BONGIO



1

ORNAMENTAL style

#EXTREMECLASS



OPERA PREGIATA

A grand opera

1. Art. 09521CR0L

LA TOSCA è armonia di forme. Le finiture pregiate delle maniglie, disponibili con porcellana bianca o ottone cromato e marmo, impreziosiscono ambienti dallo stile retrò, facendo rivivere tutta la bellezza di una delle più famose opere di Puccini.

LA TOSCA embodies the harmony of shapes. The elegant finishes of the handles, also available in the version with white porcelain or chromed brass and marble, adorn the living space with a retro style, bringing the beauty of one of Puccini's most famous operas back to life.



SPECIAL THANKS TO
 atlas concorde

www.atlasconcorde.com

ROYALE 80 / IMPERO
 FLEUR BLANC&NOIR
 CRISTALLO / RIVOLI
 RADIANT
 AXEL
 OXFORD LUX / MILLE NUITS
 CAPRI
 LA TOSCA
 TURANDOT
 CLASSIC



LAVABO / WASHBASIN
Art. 17501CR00 - CAPRI

DOCCIA / SHOWER
Art. 17544CR00 - CAPRI
Art. 10860CR00 + 00802CR35

VASCA / BATHTUB
Art. 15528CR00 - AXEL

SPECIAL THANKS TO
atlas concorde

www.atlasconcorde.com



Art. 09538CRO1

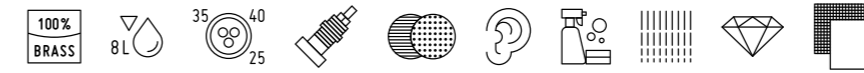


LAVABO / WASHBASIN
Art. 09501ORPO

Maniglia su richiesta per quantitativi (modello Madame 21...) / Handle on request depending on quantities (Madame 21 model ...)

INFORMAZIONI TECNICHE

Technical details



VITONI: La serie La Tosca è dotata di vitoni a dischi ceramici 1/4 giro.

La temperatura d'impianto non deve superare i 70°C. La pressione di esercizio dell'impianto consigliata è di 3 bar.

EROGAZIONE: La serie La Tosca ha un tipo di erogazione morbida. **I lavabi e i bidet sono forniti con limitatore di portata da 6l/m, permettendo un notevole risparmio d'acqua.**

INSTALLAZIONE: Tutti gli articoli ad incasso Bongio completi sono forniti di relative parti incasso.

Gli articoli doccia e vasca esterni hanno un interasse di 15±20 mm.

Per gli articoli lavabo e bidet, monoforo e tre fori, da installarsi su piano, devono essere realizzati fori ø 35 mm massimo.

Rubinetteria abbinabile ad accessori Serie Axel pag. 888

MECHANISM: Axel series has 1/4' turn ceramic disc mechanism.

The temperature of the plant should not exceed 70 degrees. The suggested working pressure of the plant has to be 3 bar.

SUPPLY: Axel series has a soft supply. **Basin and bidet mixers have a standard limitation of flow to 6l/m which reduces the water waste.**

INSTALLATION: All the built-in Bongio items are available with universal raw built-in body.

All the external shower and bath mixers have the 15±20 mms interaxe.

For the basin and bidet mixers - single or three holes - to be place on top deck, they require ø 35 mms maximum holes.

Collection to match with Axel accessories pag. 888

MANIGLIE / LEVERS



OL
19... OXFORD LUX
Porcellana Bianca /
White Porcelain



NU
22... MILLE NUITS
Porcellana Nera /
Black Porcelain



CI
17... CAPRI
Cromo /
Chrome

FINITURE E COLORI / FINISHES AND COLOURS

DETTAGLI / MORE INFO PAG. 38



CR
Cromo
Chrome



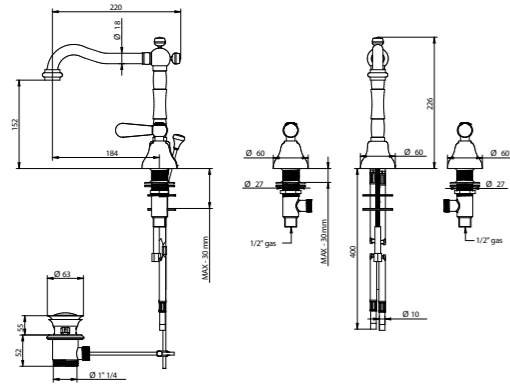
PL
Platinum
Platinum



OR
Oro 24kt
24kt Gold

09501

Batteria lavabo tre fori completa di scarico 1.1/4" in ottone. Three holes basin mixer with 1.1/4" brass pop-up waste.



ARTICOLO COMPLETO / COMPLETE ITEM

09501CROL
CROL/CRCI/CRNU

09501OROL
OROL/ORCI/ORNU/PLOL/PLCI/PLNU

09501XXOL*
XXOL/XXCI/XXNU

* XX: Per tutte le altre finiture fattibili riferirsi a questa fascia di prezzo. / Refer to this line of price for all other realizable finishes.

Non disponibile in TT - BU - ON - FA - AM - CM - OM - IM - NM - HM - BM - BI / Not available TT - BU - ON - FA - AM - CM - OM - IM - NM - HM - BM - BI

ABBINABILE A / TO MATCH WITH:
Sifone / Siphon - 00065

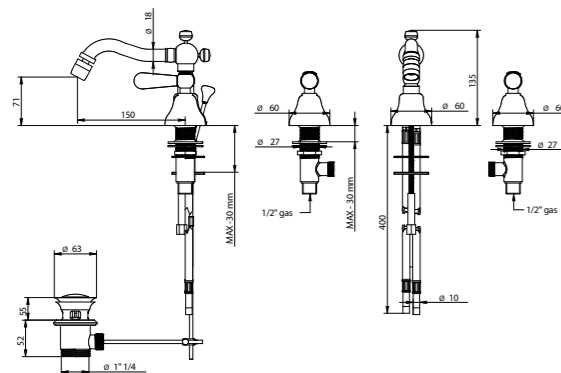
RICAMBI / SPARE PARTS

	9791*		9792 □
	9987CR		

* Calda / Hot
□ Fredda / Cold

09503

Batteria bidet tre fori con bocca completa di scarico 1.1/4" in ottone. Three holes bidet mixer with spout and 1.1/4" brass pop-up waste.



ARTICOLO COMPLETO / COMPLETE ITEM

09503CROL
CROL/CRCI/CRNU

09503OROL
OROL/ORCI/ORNU/PLOL/PLCI/PLNU

09503XXOL*
XXOL/XXCI/XXNU

* XX: Per tutte le altre finiture fattibili riferirsi a questa fascia di prezzo. / Refer to this line of price for all other realizable finishes.

Non disponibile in TT - BU - ON - FA - AM - CM - OM - IM - NM - HM - BM - BI / Not available TT - BU - ON - FA - AM - CM - OM - IM - NM - HM - BM - BI

ABBINABILE A / TO MATCH WITH:
Sifone / Siphon - 00066

RICAMBI / SPARE PARTS

	9791*		9792 □
	9986CR		

* Calda / Hot
□ Fredda / Cold

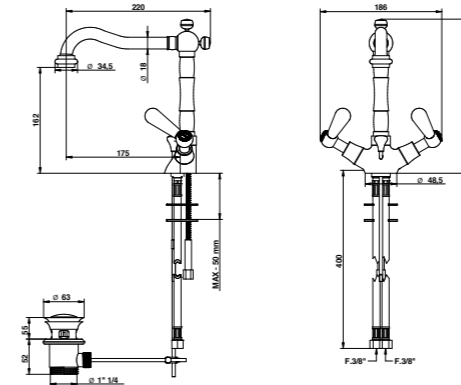
FINITURE E COLORI / FINISHES AND COLOURS



AXEL - ACCESSORI IN ABBINAMENTO / MATCHING ACCESSORIES PAG.888

09521

Monoforo lavabo completo di scarico 1.1/4" in ottone. Single hole basin mixer with 1.1/4" brass pop-up waste.



ARTICOLO COMPLETO / COMPLETE ITEM

09521CROL
CROL/CRCI/CRNU

09521OROL
OROL/ORCI/ORNU/PLOL/PLCI/PLNU

09521XXOL*
XXOL/XXCI/XXNU

* XX: Per tutte le altre finiture fattibili riferirsi a questa fascia di prezzo. / Refer to this line of price for all other realizable finishes.

Su richiesta disponibile con prolunga. / Upon request available extension.

Non disponibile in TT - BU - ON - FA - AM - CM - OM - IM - NM - HM - BM - BI / Not available TT - BU - ON - FA - AM - CM - OM - IM - NM - HM - BM - BI

ABBINABILE A / TO MATCH WITH:
Sifone / Siphon - 00065

PROLUNGA / MIXER EXTENSION

	946CR15
--	----------------

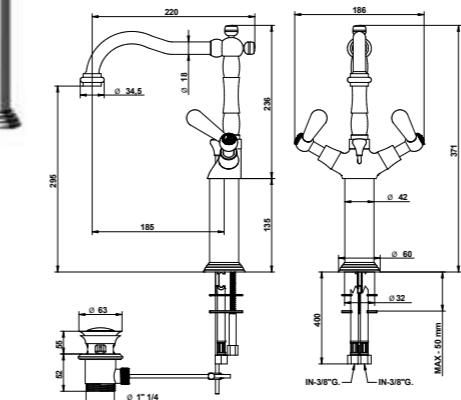
RICAMBI / SPARE PARTS

	9792*		9791 □
	9987CR		

* Calda / Hot
□ Fredda / Cold

09532

Monoforo lavabo completo di scarico 1.1/4" in ottone. Single hole basin mixer with 1.1/4" brass pop-up waste.



ARTICOLO COMPLETO / COMPLETE ITEM

09532CROL
CROL/CRCI/CRNU

09532OROL
OROL/ORCI/ORNU/PLOL/PLCI/PLNU

09532XXOL*
XXOL/XXCI/XXNU

* XX: Per tutte le altre finiture fattibili riferirsi a questa fascia di prezzo. / Refer to this line of price for all other realizable finishes.

PROLUNGA / MIXER EXTENSION

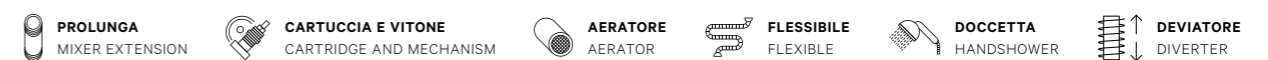
	946CR15
--	----------------

RICAMBI / SPARE PARTS

	9792*		9791 □
	9987CR		

* Calda / Hot
□ Fredda / Cold

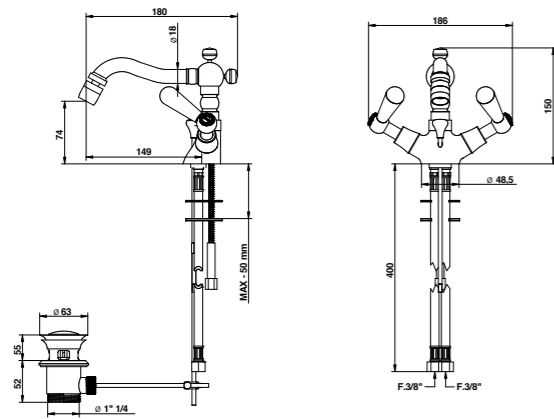
ACCESSORI E RICAMBI / ACCESSORIES AND SPARE PARTS



ROYALE 60 / IMPERO
FLEUR BLANC&NOIR
CRISTALLO / RIVOLI
RADIANT
AXEL
OXFORD LUX / MILLE NUITS
CAPRI
LA TOSCA
TURANDOT
CLASSIC

09522

Monoforo bidet completo di scarico 1.1/4". Single hole bidet mixer with 1.1/4" pop-up waste.



ARTICOLO COMPLETO / COMPLETE ITEM

09522CROL
CROL/CRCI/CRNU

09522OROL
OROL/ORCI/ORNU/PLOL/PLCI/PLNU

09522XXOL*
XXOL/XXCI/XXNU

* XX: Per tutte le altre finiture fattibili riferirsi a questa fascia di prezzo. / Refer to this line of price for all other realizable finishes.

Non disponibile in TT - BU - ON - FA - AM - CM - OM - IM - NM - HM - BM - BI/ Not available TT - BU - ON - FA - AM - CM - OM - IM - NM - HM - BM - BI

ABBINABILE A / TO MATCH WITH:
Sifone / Siphon - **00066**

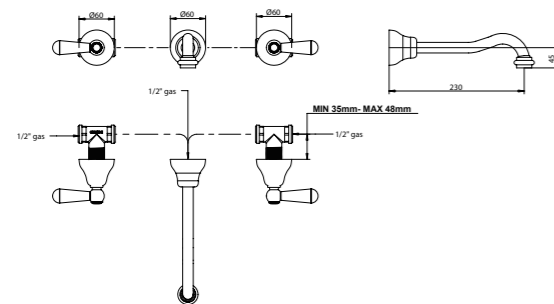
RICAMBI / SPARE PARTS

	9792*		9791□
	9986CR		

* Calda / Hot
□ Fredda / Cold

09538

Gruppo lavabo incasso a parete con bocca da 230 mm. Built-in three hole basin with mms. 230 spout.



ARTICOLO COMPLETO / COMPLETE ITEM

09538CROL
CROL/CRCI/CRNU

PARTE INCASSO BUILT-IN PART **PARTE ESTERNA DA ABBINARE EXTERNAL MATCHING PART**

09767/OX

FINITURE / FINISHES

09538CROLEU
CROL/CRCI/CRNU

09538OROLEU
OROL/ORCI/ORNU/PLOL/PLCI/PLNU

09538XXOL*
XXOL/XXCI/XXNU

* XX: Per tutte le altre finiture fattibili riferirsi a questa fascia di prezzo. / Refer to this line of price for all other realizable finishes.

Non disponibile in TT - BU - ON - FA - AM - CM - OM - IM - NM - HM - BM - BI/ Not available TT - BU - ON - FA - AM - CM - OM - IM - NM - HM - BM - BI

ABBINABILE A / TO MATCH WITH:
Sifone / Siphon - **00065**
Piletta clic-clac / Clic-clac waste - **00079**

PROLUNGA / MIXER EXTENSION

	0008300CS 2 pz. per articolo Cad. / Each / 2 pcs needed
--	--

* Calda / Hot
□ Fredda / Cold

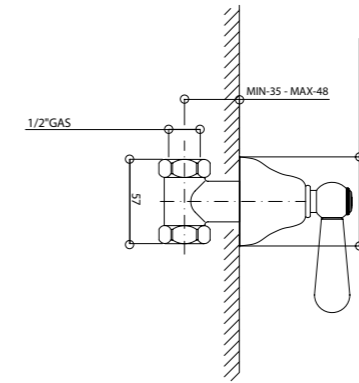
FINITURE E COLORI / FINISHES AND COLOURS



AXEL - ACCESSORI IN ABBINAMENTO / MATCHING ACCESSORIES PAG.888

09500

Rubinetto incasso 1/2". 1/2" built-in tap.



ARTICOLO COMPLETO / COMPLETE ITEM

09500CROL
CROL/CRCI/CRNU

PARTE INCASSO BUILT-IN PART **PARTE ESTERNA DA ABBINARE EXTERNAL MATCHING PART**

FINITURE / FINISHES

09777
CALDA / hot

09500CROLEU
CROL/CRCI/CRNU

09774
FREDDA / cold

09500OROLEU
OROL/ORCI/ORNU/PLOL/PLCI/PLNU

09500XXOL*
XXOL/XXCI/XXNU

* XX: Per tutte le altre finiture fattibili riferirsi a questa fascia di prezzo. / Refer to this line of price for all other realizable finishes.

Non disponibile in TT - BU - ON - FA - AM - CM - OM - IM - NM - HM - BM - BI/ Not available TT - BU - ON - FA - AM - CM - OM - IM - NM - HM - BM - BI

RICAMBI / SPARE PARTS

	9791*		9792□
--	--------------	--	--------------

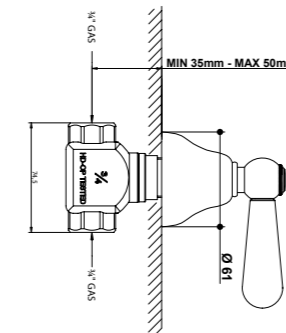
* Calda / Hot
□ Fredda / Cold

PROLUNGA / MIXER EXTENSION

	0008300CS
--	------------------

09498

Rubinetto incasso da 3/4" vitone 3/4" built-in tap traditional mechanism. tradizionale.



ARTICOLO COMPLETO / COMPLETE ITEM

09498CROL
CROL/CRCI/CRNU

PARTE INCASSO BUILT-IN PART **PARTE ESTERNA DA ABBINARE EXTERNAL MATCHING PART**

FINITURE / FINISHES

09772
CALDA / hot

09498CROLEU
CROL/CRCI/CRNU

09772
FREDDA / cold

09498OROLEU
OROL/ORCI/ORNU/PLOL/PLCI/PLNU

09498XXOLEU*
XXOL/XXCI/XXNU

* XX: Per tutte le altre finiture fattibili riferirsi a questa fascia di prezzo. / Refer to this line of price for all other realizable finishes.

Non disponibile in TT - BU - ON - FA - AM - CM - OM - IM - NM - HM - BM - BI/ Not available TT - BU - ON - FA - AM - CM - OM - IM - NM - HM - BM - BI

RICAMBI / SPARE PARTS

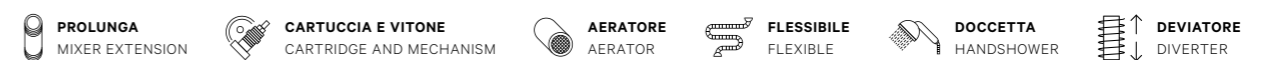
	9804*		9804□
--	--------------	--	--------------

* Calda / Hot
□ Fredda / Cold

PROLUNGA / MIXER EXTENSION

	0008300CS
--	------------------

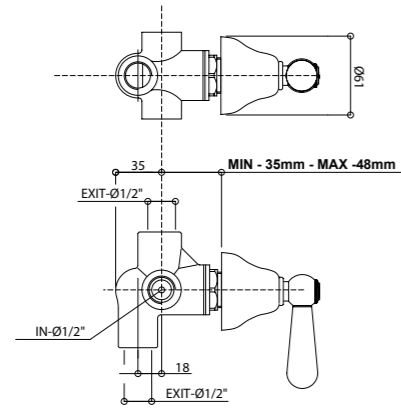
ACCESSORI E RICAMBI / ACCESSORIES AND SPARE PARTS



ROYALE 60 / IMPERO
FLEUR BLANC&NOIR
CRISTALLO / RIVOLI
RADIANT
AXEL
OXFORD LUX / MILLE NUITS CAPRI
LA TOSCA
TURANDOT
CLASSIC

09525

Deviatore 2 uscite (2 entrate 2 uscite). 2 exit diverter (2 in - 2 out).



RICAMBI / SPARE PARTS

	00112DM
--	---------

ARTICOLO COMPLETO / COMPLETE ITEM

09525CROL
CROL/CRCI/CRNU

PARTE INCASSO BUILT-IN PART	PARTE ESTERNA DA ABBINARE EXTERNAL MATCHING PART
--------------------------------	---

FINITURE / FINISHES

09496
09525CROLEU
CROL/CRCI/CRNU

09525OROLEU
OROL/ORCI/ORNUN/PLOL/
PLCI/PLNU

09525XXOLEU *
XXOL/XXCI/XXNU

* XX: Per tutte le altre finiture fattibili riferirsi a questa fascia di prezzo. / Refer to this line of price for all other realizable finishes.

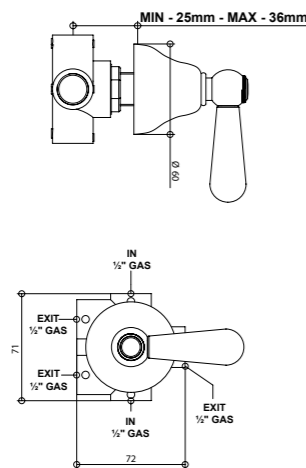
Non disponibile in TT - BU - ON - FA - AM - CM - OM - IM - NM - HM - BM - BI / Not available TT - BU - ON - FA - AM - CM - OM - IM - NM - HM - BM - BI

PROLUNGA / MIXER EXTENSION

	0008300CS
--	-----------

09525/5

Deviatore 3 uscite (2 entrate 3 uscite). 3 exit diverter (2 in - 3 out).



FINITURE E COLORI / FINISHES AND COLOURS



ARTICOLO COMPLETO / COMPLETE ITEM

09525CROL05
CROL/CRCI/CRNU

PARTE INCASSO BUILT-IN PART	PARTE ESTERNA DA ABBINARE EXTERNAL MATCHING PART
--------------------------------	---

FINITURE / FINISHES

09495
09525CROLO5EU
CROL/CRCI/CRNU

09525OROLO5EU
OROL/ORCI/ORNUN/PLOL/
PLCI/PLNU

09525XXOLO5EU *
XXOL/XXCI/XXNU

* XX: Per tutte le altre finiture fattibili riferirsi a questa fascia di prezzo. / Refer to this line of price for all other realizable finishes.

Non disponibile in TT - BU - ON - FA - AM - CM - OM - IM - NM - HM - BM - BI / Not available TT - BU - ON - FA - AM - CM - OM - IM - NM - HM - BM - BI

PROLUNGA / MIXER EXTENSION

	0008300CS
--	-----------

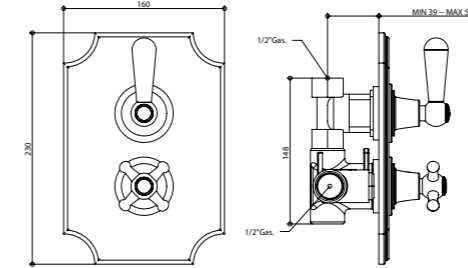
RICAMBI / SPARE PARTS

	00113DM
--	---------

AXEL - ACCESSORI IN ABBINAMENTO / MATCHING ACCESSORIES PAG.888

09544

Termostatico doccia incasso 1/2". 1/2" built-in shower thermostatic mixer.



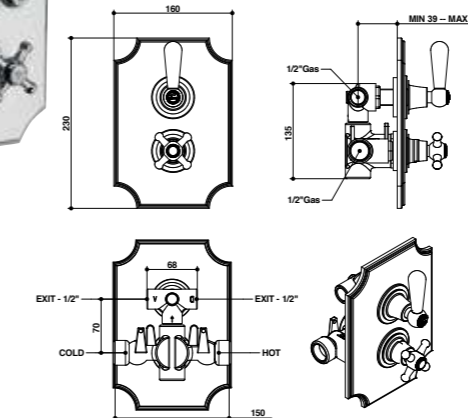
RICAMBI / SPARE PARTS

	8900TM *		9788 □
--	----------	--	--------

* Cartuccia miscelatrice / Mixer cartridge
□ Cartuccia di apertura-chiusura / Open-close cartridge

09549

Miscelatore termostatico incasso 1/2" con deviatore a 2 uscite. 1/2" built-in thermostatic mixer with 2 way diverter.



RICAMBI / SPARE PARTS

	8900TM *		9788/02 □
--	----------	--	-----------

* Cartuccia miscelatrice / Mixer cartridge
□ Cartuccia di apertura-chiusura e deviazione / Open-close cartridge and diverter

ACCESSORI E RICAMBI / ACCESSORIES AND SPARE PARTS



ARTICOLO COMPLETO / COMPLETE ITEM

09544CROL
CROL/CRCI/CRNU

PARTE INCASSO BUILT-IN PART	PARTE ESTERNA DA ABBINARE EXTERNAL MATCHING PART
--------------------------------	---

FINITURE / FINISHES

09787
09544CROLEU
CROL/CRCI/CRNU

09544OROLEU
OROL/ORCI/ORNUN/PLOL/
PLCI/PLNU

09544XXOLEU *
XXOL/XXCI/XXNU

* XX: Per tutte le altre finiture fattibili riferirsi a questa fascia di prezzo. / Refer to this line of price for all other realizable finishes.

Portata a pressione dinamica 3 bar - 32 l/min - 38° Mix / Flow rates at dynamic pressure 3 bar - 32 l/min - 38° Mix

Non disponibile in TT - BU - ON - FA - AM - CM - OM - IM - NM - HM - BM - BI / Not available TT - BU - ON - FA - AM - CM - OM - IM - NM - HM - BM - BI

PROLUNGA / MIXER EXTENSION

	00105CRTCPR
--	-------------

ARTICOLO COMPLETO / COMPLETE ITEM

09549CROL
CROL/CRCI/CRNU

PARTE INCASSO BUILT-IN PART	PARTE ESTERNA DA ABBINARE EXTERNAL MATCHING PART
--------------------------------	---

FINITURE / FINISHES

09728
09549CROLEU
CROL/CRCI/CRNU

09549OROLEU
OROL/ORCI/ORNUN/PLOL/
PLCI/PLNU

09549XXOLEU *
XXOL/XXCI/XXNU

* XX: Per tutte le altre finiture fattibili riferirsi a questa fascia di prezzo. / Refer to this line of price for all other realizable finishes.

Portata a pressione dinamica 3 bar - 23 l/min - 38° Mix - 3 bar - 15 l/min - 38° Mix / Flow rates at dynamic pressure 3 bar - 23 l/min - 38° Mix - 3 bar - 15 l/min - 38° Mix

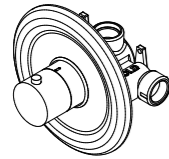
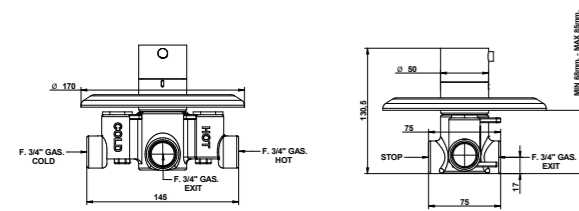
Non disponibile in TT - BU - ON - FA - AM - CM - OM - IM - NM - HM - BM - BI / Not available TT - BU - ON - FA - AM - CM - OM - IM - NM - HM - BM - BI

PROLUNGA / MIXER EXTENSION

	00105CRTC49PR
--	---------------

15554

Termostatico incasso da 3/4" senza chiusura. 3/4" built-in thermostatic shower mixer without lock.



ARTICOLO COMPLETO / COMPLETE ITEM

15554CROO
CR

PARTE INCASSO BUILT-IN PART **PARTE ESTERNA DA ABBINARE EXTERNAL MATCHING PART**

FINITURE / FINISHES

- 09700** **15554CREU**
CR
- 15554NSEU**
NS/NE/PL/ON/
BU/BI/RB
- 15554OREU**
OR/CO/CN
- 15554OPEU**
OP/CM/IM/NM/
HM/OM/BM
- 15554XXEU ***
XX

* XX: Per tutte le altre finiture fattibili riferirsi a questa fascia di prezzo. / Refer to this line of price for all other realizable finishes.

ABBINABILE A / TO MATCH WITH:
Rubinetto incasso / Built-in tap - ...500 - ...498

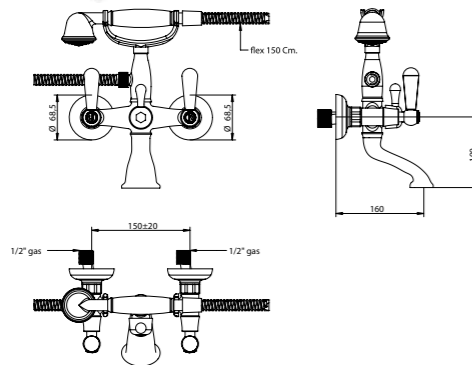
RICAMBI / SPARE PARTS

	9837
--	-------------

09526

Gruppo vasca esterno con set doccia. External bath and shower mixer with shower set.

Dettaglio flessibili / Flexible details pag. 42



ARTICOLO COMPLETO / COMPLETE ITEM

09526CROL
CROL/CRCI/CRNU

09526OROL
OROL/ORCI/ORNU/PL0L/PLCI/PLNU

Articolo differente dalle precedenti collezioni. / Article different from the other collections.

Non disponibile in altre finiture. / Not available in other finishes.

RICAMBI / SPARE PARTS

	9791 *		9792 □
	9600CR		00851CROO
	0011700DT		00851XX00 □
	9600XX00 △		

* Calda / Hot
□ Fredda / Cold
△ Ricambio per finiture diverse dal cromo. / Spare part for different finishes.
□ Nelle finiture verniciate e satinare i flessibili verranno forniti con calotta in delrin nero. / For painted and matt finishes, the flexible hoses will be supplied with black delrin conical connection.

FINITURE E COLORI / FINISHES AND COLOURS

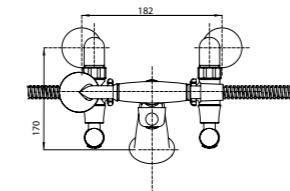
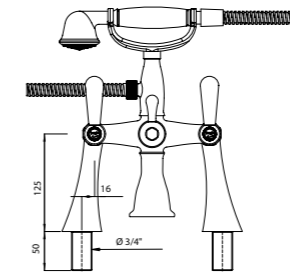


AXEL - ACCESSORI IN ABBINAMENTO / MATCHING ACCESSORIES PAG.888

09527

Gruppo vasca esterno su colonnette. External bath and shower mixer on pillar connection with shower set.

Dettaglio flessibili / Flexible details pag. 42



ARTICOLO COMPLETO / COMPLETE ITEM

09527CROL
CROL/CRCI/CRNU

09527OROL
OROL/ORCI/ORNU/PL0L/PLCI/PLNU

Articolo differente dalle precedenti collezioni. / Article different from the other collections.

Non disponibile in altre finiture. / Not available in other finishes.

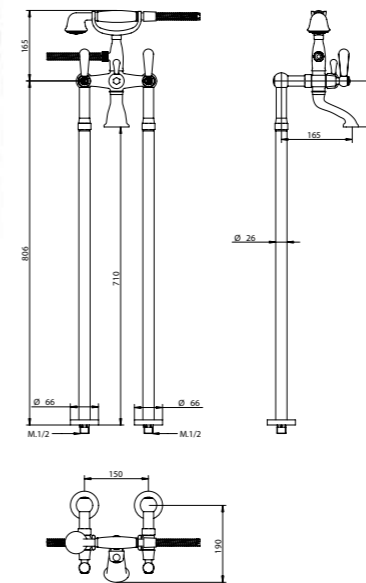
RICAMBI / SPARE PARTS

	9791 *		9792 □
	9600CR		00851CROO
	0011700DT		00851XX00 □
	9600XX00 △		

* Calda / Hot
□ Fredda / Cold
△ Ricambio per finiture diverse dal cromo. / Spare part for different finishes.
□ Nelle finiture verniciate e satinare i flessibili verranno forniti con calotta in delrin nero. / For painted and matt finishes, the flexible hoses will be supplied with black delrin conical connection.

09528

Gruppo vasca esterno su colonnette da terra con set doccia. Floor mounted bath and shower mixer with shower set.



ARTICOLO COMPLETO / COMPLETE ITEM

09528CROL
CROL/CRCI/CRNU

09528OROL
OROL/ORCI/ORNU/PL0L/PLCI/PLNU

Articolo differente dalle precedenti collezioni. / Article different from the other collections.

Non disponibile in altre finiture. / Not available in other finishes.

RICAMBI / SPARE PARTS

	9792 *		9791 □
	9600CR		00851CROO
	0011700DT		00851XX00 □
	9600XX00 △		

* Calda / Hot
□ Fredda / Cold
△ Ricambio per finiture diverse dal cromo. / Spare part for different finishes.
□ Nelle finiture verniciate e satinare i flessibili verranno forniti con calotta in delrin nero. / For painted and matt finishes, the flexible hoses will be supplied with black delrin conical connection.

ACCESSORI E RICAMBI / ACCESSORIES AND SPARE PARTS



09530/D

Gruppo vasca incasso con set doccia Built-in bath and shower mixer with duplex shower set.

Dettaglio flessibili / Flexible details pag. 42



ARTICOLO COMPLETO / COMPLETE ITEM

09530CROLOD
CROL/CRCI/CRNU

PARTE INCASSO BUILT-IN PART **PARTE ESTERNA DA ABBINARE** EXTERNAL MATCHING PART

FINITURE / FINISHES

09680/OX

09530CROLODEU
CROL/CRCI/CRNU

09530OROLODEU
OROL/ORCI/ORNU/PL0L/PLCI/PLNU

09530XXOLODEU *
XXOL/XXCI/XXNU

* XX: Per tutte le altre finiture fattibili riferirsi a questa fascia di prezzo. / Refer to this line of price for all other realizable finishes.

Non disponibile in TT - BU - ON - FA - AM - CM - OM - IM - NM - HM - BM - BI / Not available TT - BU - ON - FA - AM - CM - OM - IM - NM - HM - BM - BI

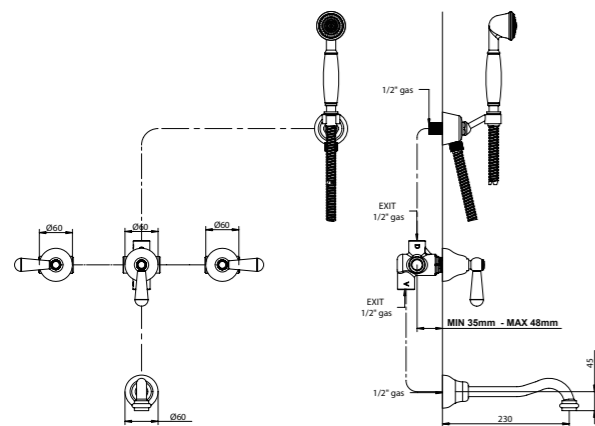
PROLUNGA / MIXER EXTENSION

00083CRCS
3 pz. per articolo Cad. / Each
/ 3 pcs needed

RICAMBI / SPARE PARTS

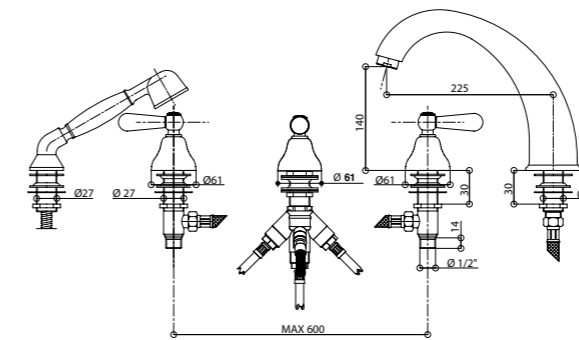
	9791 *		9792 □
	09987CR		9600CR
	00851CR00		00112DM
	00851XX00 □		9600XX00 □

* Calda / Hot
□ Fredda / Cold
□ Ricambio per finiture diverse dal cromo. / Spare part for different finishes.
□ Nelle finiture verniciate e satinare i flessibili verranno forniti con calotta in delrin nero. / For painted and matt finishes, the flexible hoses will be supplied with black delrin conical connection.



09531/D

Gruppo bordo vasca cinque fori con Five holes deck bath and shower mixer with shower set.



ARTICOLO COMPLETO / COMPLETE ITEM

09531CROLOD
CROL/CRCI/CRNU

09531OROLOD
OROL/ORCI/ORNU/PL0L/PLCI/PLNU

09531XXOLOD *
XXOL/XXCI/XXNU

* XX: Per tutte le altre finiture fattibili riferirsi a questa fascia di prezzo. / Refer to this line of price for all other realizable finishes.

Non disponibile in TT - BU - ON - FA - AM - CM - OM - IM - NM - HM - BM - BI / Not available TT - BU - ON - FA - AM - CM - OM - IM - NM - HM - BM - BI

RICAMBI / SPARE PARTS

	9791 *		9792 □
	09997CR		09607CR
	00851CRBV		00112VI
	00851XXBV □		

* Calda / Hot
□ Fredda / Cold
□ Ricambio per finiture diverse dal cromo. / Spare part for different finishes.

09523

Gruppo doccia esterno. External shower mixer.



ARTICOLO COMPLETO / COMPLETE ITEM

09523CROL
CROL/CRCI/CRNU

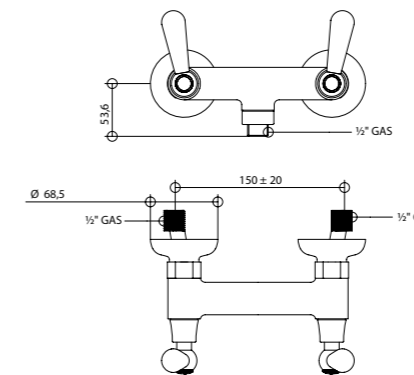
09523OROL
OROL/ORCI/ORNU/PL0L/PLCI/PLNU

09523XXOL *
XXOL/XXCI/XXNU

* XX: Per tutte le altre finiture fattibili riferirsi a questa fascia di prezzo. / Refer to this line of price for all other realizable finishes.

Non disponibile in TT - BU - ON - FA - AM - CM - OM - IM - NM - HM - BM - BI / Not available TT - BU - ON - FA - AM - CM - OM - IM - NM - HM - BM - BI

ABBINABILE A / TO MATCH WITH:
Asta saliscendi / Sliding rail - **871**
Set doccia / Duplex set - **831**



RICAMBI / SPARE PARTS

	9791 *		9792 □
--	---------------	--	---------------

* Calda / Hot
□ Fredda / Cold

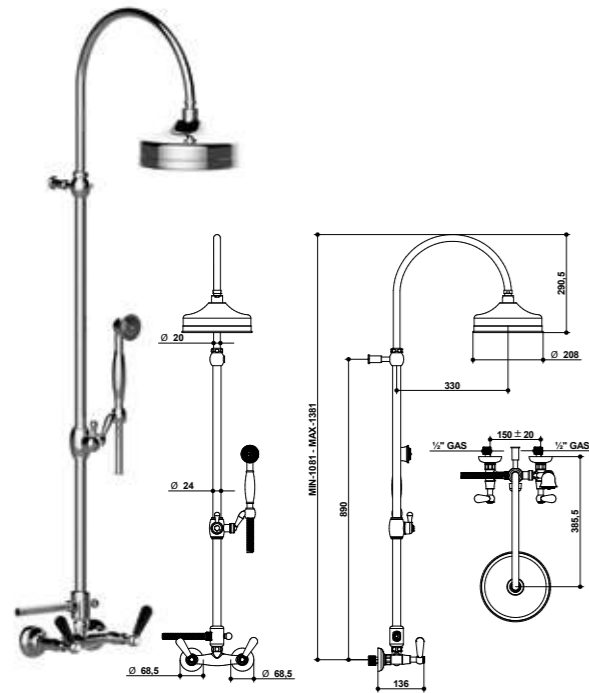


ROYALE 80 / IMPERO
FLEUR BLANC&NOIR
CRISTALLO / RIVOLI
RADIANT
AXEL
OXFORD LUX / MILLE NUITS
CAPRI
LA TOSCA
TURANDOT
CLASSIC

09537/D

Gruppo doccia esterno con tubo, soffione e set doccia duplex. External shower mixer with tube, shower head and duplex shower set.

Dettaglio flessibili / Flexible details pag. 42



ARTICOLO COMPLETO / COMPLETE ITEM

09537CROLOD
CROL/CRCI/CRNU

09537OROLOD
OROL/ORCI/ORNU/PLOL/PLCI/PLNU

09537XXOLOD *
XXOL/XXCI/XXNU

* XX: Per tutte le altre finiture fattibili riferirsi a questa fascia di prezzo. / Refer to this line of price for all other realizable finishes.

Non disponibile in TT - BU - ON - FA - AM - CM - OM - IM - NM - HM - BM - BI / Not available TT - BU - ON - FA - AM - CM - OM - IM - NM - HM - BM - BI

RICAMBI / SPARE PARTS

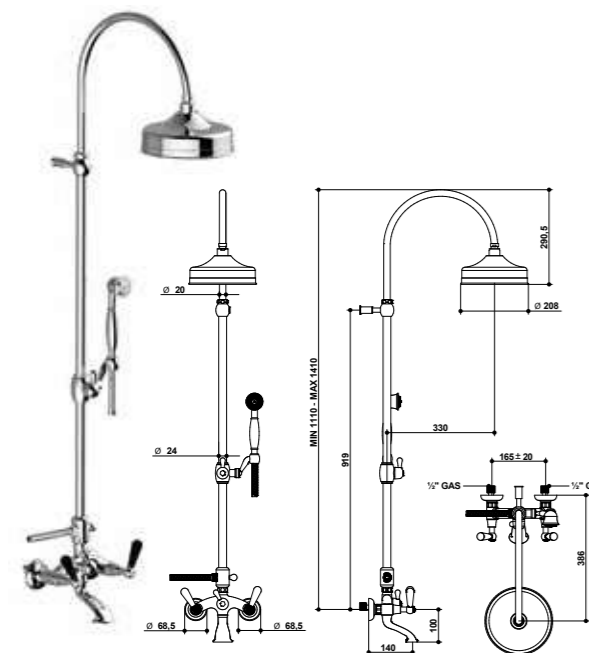
9792 *	9791 □
10860CR	9600CR
00851CR00	121CRCL
00851XX00 □	9600XX00 △
10860XX00 □	

* Calda / Hot
 □ Fredda / Cold
 □ Ricambio per finiture diverse dal cromo. / Spare part for different finishes.
 △ Nelle finiture verniciate e satinare i flessibili verranno forniti con calotta in delrin nero. / For painted and matt finishes, the flexible hoses will be supplied with black delrin conical connection.

09536/D

Gruppo vasca esterno con set doccia. External bath and shower mixer with shower set.

Dettaglio flessibili / Flexible details pag. 42



ARTICOLO COMPLETO / COMPLETE ITEM

09536CROLOD
CROL/CRCI/CRNU

09536OROLOD
OROL/ORCI/ORNU/PLOL/PLCI/PLNU

09536XXOLOD *
XXOL/XXCI/XXNU

* XX: Per tutte le altre finiture fattibili riferirsi a questa fascia di prezzo. / Refer to this line of price for all other realizable finishes.

Non disponibile in TT - BU - ON - FA - AM - CM - OM - IM - NM - HM - BM - BI / Not available TT - BU - ON - FA - AM - CM - OM - IM - NM - HM - BM - BI

Nelle varianti colore verniciate e satinare alcuni particolari saranno in finitura galvanica per garantire gli standard qualitativi. / To assure our quality standard on colored and satin product, some details remain in galvanic finishes.

RICAMBI / SPARE PARTS

9791 *	9792 □
10860CR	9600CR
00851CR00	121CRCL
0011700DV	00851XX00 □
9600XX00 △	10860XX00 □

* Calda / Hot
 □ Fredda / Cold
 □ Ricambio per finiture diverse dal cromo. / Spare part for different finishes.
 △ Nelle finiture verniciate e satinare i flessibili verranno forniti con calotta in delrin nero. / For painted and matt finishes, the flexible hoses will be supplied with black delrin conical connection.

FINITURE E COLORI / FINISHES AND COLOURS

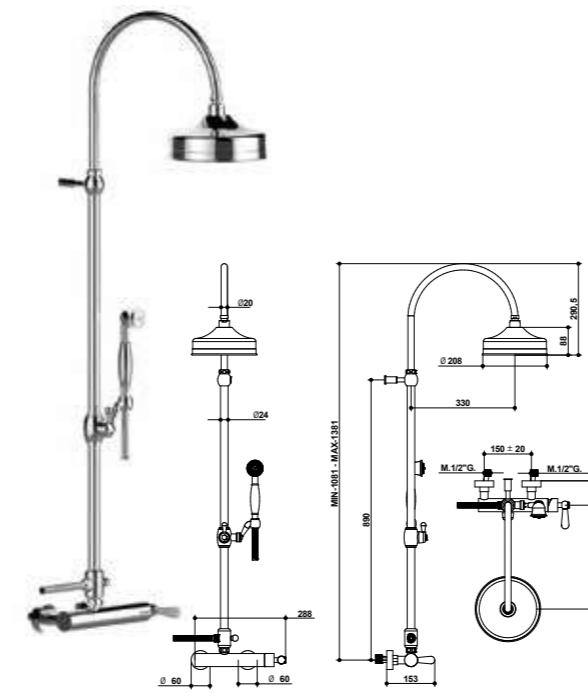


AXEL - ACCESSORI IN ABBINAMENTO / MATCHING ACCESSORIES PAG.888

09555/OD

Miscelatore doccia esterno con tubo, soffione e set doccia duplex. External shower mixer with tube, shower head and duplex shower set.

Dettaglio flessibili / Flexible details pag. 42



ARTICOLO COMPLETO / COMPLETE ITEM

09555CROLOD
CROL/CRCI/CRNU

09555OROLOD
OROL/ORCI/ORNU/PLOL/PLCI/PLNU

09555XXOLOD *
XXOL/XXCI/XXNU

* XX: Per tutte le altre finiture fattibili riferirsi a questa fascia di prezzo. / Refer to this line of price for all other realizable finishes.

Non disponibile in TT - BU - ON - FA - AM - CM - OM - IM - NM - HM - BM - BI / Not available TT - BU - ON - FA - AM - CM - OM - IM - NM - HM - BM - BI

RICAMBI / SPARE PARTS

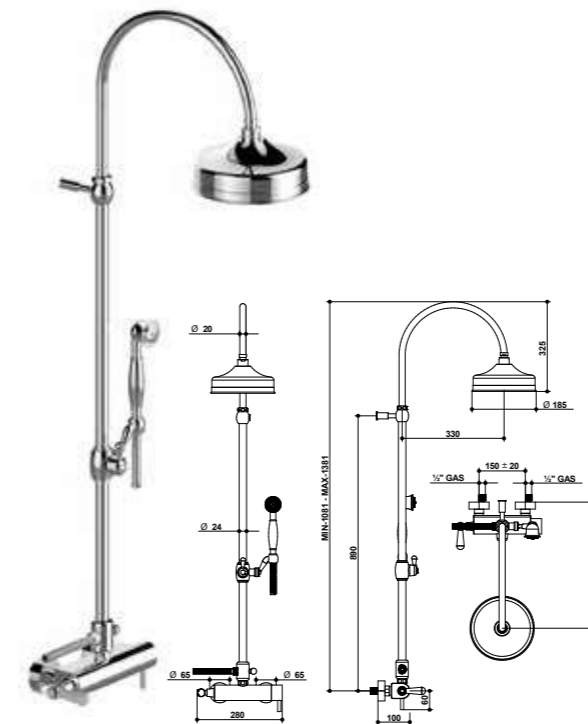
9813	10860CR
00121CRCL	9600CR
9600XX00 *	00851CR00
00851XX00 □	10860XX00 □

* Nelle finiture verniciate e satinare i flessibili verranno forniti con calotta in delrin nero. / For painted and matt finishes, the flexible hoses will be supplied with black delrin conical connection.
 □ Ricambio per finiture diverse dal cromo. / Spare part for different finishes.

09547/D

Gruppo doccia esterno termostatico con tubo, soffione e set doccia duplex. External shower thermostatic with tube, shower head and duplex shower set.

Dettaglio flessibili / Flexible details pag. 42



ARTICOLO COMPLETO / COMPLETE ITEM

09547CROLOD
CROL/CRCI/CRNU

09547OROLOD
OROL/ORCI/ORNU

09547XXOLOD *
XXOL/XXCI/XXNU

* XX: Per tutte le altre finiture fattibili riferirsi a questa fascia di prezzo. / Refer to this line of price for all other realizable finishes.

Non disponibile in TT - BU - ON - FA - AM - CM - OM - IM - NM - HM - BM / Not available TT - BU - ON - FA - AM - CM - OM - IM - NM - HM - BM

RICAMBI / SPARE PARTS

8900ES *	9792 □
10860CR	00121CRCL
9600CR	9600XX00 □
00851CR00	00851XX00 △
10860XX00 △	

* Cartuccia miscelatrice / Mixer cartridge
 □ Cartuccia di apertura-chiusura / Open-close cartridge
 △ Nelle finiture verniciate e satinare i flessibili verranno forniti con calotta in delrin nero. / For painted and matt finishes, the flexible hoses will be supplied with black delrin conical connection.
 □ Ricambio per finiture diverse dal cromo. / Spare part for different finishes.

ACCESSORI E RICAMBI / ACCESSORIES AND SPARE PARTS



TURANDOT

DESIGN CENTER DIRECTED BY
ANTONIO BONGIO



A TOUCH OF
CLASSIC ELEGANCE



RACCONTO EVOCATIVO

An evocative tale

Stile, eleganza, tradizione: TURANDOT evoca queste immagini con la sua sofisticata leva in porcellana, raccontando una storia senza tempo. L'estetica retrò rende la collezione protagonista di progetti d'arredo contemporanei dalla forte personalità.

Style, elegance, tradition: TURANDOT evokes these three concepts with its sophisticated lever adorned with porcelain, telling a timeless story. Retro-style aesthetics make this collection the key furnishing item when it comes to decorating contemporary living spaces with a strong personality.



#HOMEDECOR



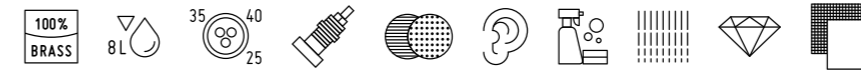
1. Art. 10521CROL



LAVABO / WASHBASIN
Art. 10521CR0L

INFORMAZIONI TECNICHE

Technical details



CARTUCCIA: La serie Turandot è dotata di diverse tipologie di cartucce: ø 35 mm con e senza distributore.

La temperatura d'impianto non deve superare i 70°C. La pressione di esercizio dell'impianto consigliata è di 3 bar.

EROGAZIONE: La serie Turandot ha un tipo di erogazione morbida. **I lavabi e i bidet sono forniti con limitatore di portata da 6l/m, permettendo un notevole risparmio d'acqua.**

INSTALLAZIONE: Tutti gli articoli ad incasso Bongio completi sono forniti di relative parti incasso.

Gli articoli doccia e vasca esterni hanno un interasse di 15±20 mm.

Per gli articoli lavabo e bidet, monoforo e tre fori, da installarsi su piano, devono essere realizzati fori ø 35 mm massimo.

CARTRIDGE: Turandot series uses different kind of cartridge: ø 35 mms. with or without distributor.

The temperature of the plant should not exceed 70 degrees. The suggested working pressure of the plant has to be 3 bar.

SUPPLY: Turandot series has a soft supply. **Basin and bidet mixers have a standard limitation of flow to 6l/m which reduces the water waste.**

INSTALLATION: All the built-in Bongio items are available with universal raw built-in body.

All the external shower and bath mixers have the 15±20 mms interaxe.

For the basin and bidet mixers - single or three holes - to be place on top deck, they require ø 35 mms maximum holes.

MANIGLIE / LEVERS



OL
19... OXFORD LUX
Porcellana Bianca /
White Porcelain



NU
22... MILLE NUITS
Porcellana Nera /
Black Porcelain



CI
17... CAPRI
Cromo /
Chrome

FINITURE E COLORI / FINISHES AND COLOURS

DETTAGLI / MORE INFO PAG. 38



CR
Cromo
Chrome



NS
Nichel Spazzolato
Brushed Nickel



PL
Platinum
Platinum



CO
Cromo + Oro
Chrome + Gold



OR
Oro 24kt
24kt Gold



BM
Bronzo Opaco
Matt Bronze

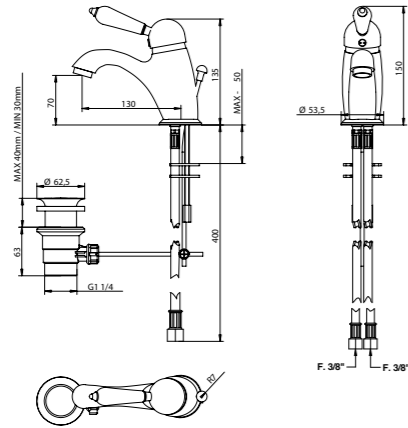


OA*
Oro Rosa
Rose Gold

* Disponibile su richiesta / Available on request

10521

Miscelatore lavabo con scarico 1.1/4" Basin mixer with 1.1/4" pop-up waste in ottone.



ARTICOLO COMPLETO / COMPLETE ITEM

10521CROL
CROL/CRCI/CRNU

10521BMOL*
BMOL/BMCI/BMNU

10521OROL
OROL/ORCI/ORNU/PL0L/PLCI/PLNU/NS0L/NSCI/NSNU/
COOL/COCI/CONU

10521XXOL □
XXOL/XXCI/XXNU

* Nella finitura BM alcuni componenti saranno realizzati in finitura OR. /
In BM finish some components will be made in OR finish
□ XX: Per tutte le altre finiture fattibili riferirsi a questa fascia di prezzo. /
Refer to this line of price for all other realizable finishes.

Non disponibile in TT - BU - ON - FA - NE - AM - CM - OM - IM - NM - HM - BI/
Not available TT - BU - ON - FA - NE - AM - CM - OM - IM - NM - HM - BI

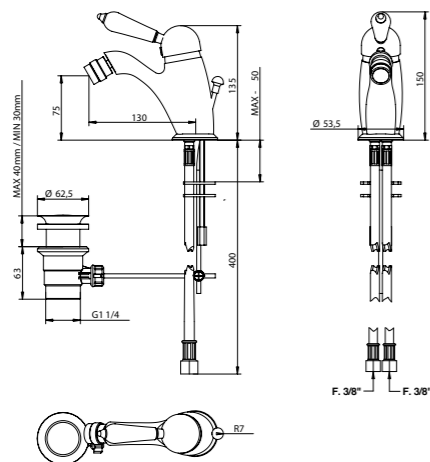
ABBINABILE A / TO MATCH WITH:
Sifone / Siphon - **00065CRO0**

RICAMBI / SPARE PARTS

	9812		9998CR
--	------	--	--------

10522

Miscelatore bidet con scarico 1.1/4" Bidet mixer with 1.1/4" pop-up waste in ottone.



ARTICOLO COMPLETO / COMPLETE ITEM

10522CROL
CROL/CRCI/CRNU

10522BMOL*
BMOL/BMCI/BMNU

10522OROL
OROL/ORCI/ORNU/PL0L/PLCI/PLNU/NS0L/NSCI/NSNU/
COOL/COCI/CONU

10522XXOL □
XXOL/XXCI/XXNU

* Nella finitura BM alcuni componenti saranno realizzati in finitura OR. /
In BM finish some components will be made in OR finish
□ XX: Per tutte le altre finiture fattibili riferirsi a questa fascia di prezzo. /
Refer to this line of price for all other realizable finishes.

Non disponibile in TT - BU - ON - FA - NE - AM - CM - OM - IM - NM - HM - BI/
Not available TT - BU - ON - FA - NE - AM - CM - OM - IM - NM - HM - BI

ABBINABILE A / TO MATCH WITH:
Sifone / Siphon - **00065CRO0**

RICAMBI / SPARE PARTS

	9812		9978CR
--	------	--	--------

10538

Miscelatore lavabo incasso con bocca Built-in basin mixer with mms. 190
190 mm. spout.



ARTICOLO COMPLETO / COMPLETE ITEM

10538CROL
CROL/CRCI/CRNU

PARTE INCASSO
BUILT-IN PART

PARTE ESTERNA DA ABBINARE
EXTERNAL MATCHING PART

09761

FINITURE / FINISHES

10538CROLEU
CROL/CRCI/CRNU

10538BMOLEU*
BMOL/BMCI/BMNU

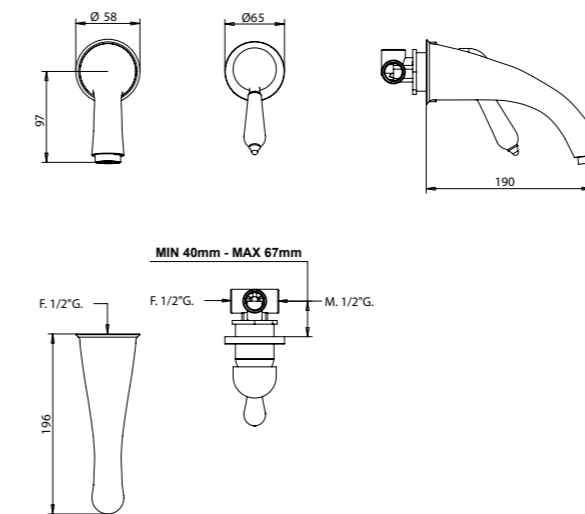
10538OROLEU
OROL/ORCI/ORNU/PL0L/
PLCI/PLNU/NS0L/NSCI/NSNU/
COOL/COCI/CONU

10538XXOLEU □
XXOL/XXCI/XXNU

* Nella finitura BM alcuni componenti saranno realizzati in finitura OR. /
In BM finish some components will be made in OR finish
□ XX: Per tutte le altre finiture fattibili riferirsi a questa fascia di prezzo. /
Refer to this line of price for all other realizable finishes.

Non disponibile in TT - BU - ON - FA - NE - AM - CM - OM - IM - NM - HM - BI/
Not available TT - BU - ON - FA - NE - AM - CM - OM - IM - NM - HM - BI

ABBINABILE A / TO MATCH WITH:
Sifone / Siphon - **00065CRO0**
Piletta clic-clac / Clic-clac waste - **00079**



PROLUNGA / MIXER EXTENSION

00100CRPRR

RICAMBI / SPARE PARTS

	9813		9997CR
--	------	--	--------

FINITURE E COLORI / FINISHES AND COLOURS

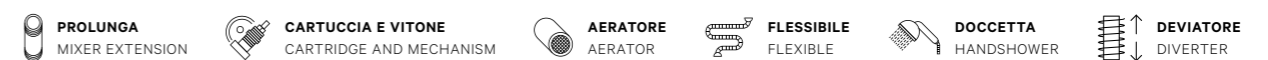


MANIGLIE / LEVERS



* Disponibile su richiesta / Available on demand

ACCESSORI E RICAMBI / ACCESSORIES AND SPARE PARTS



10524

Miscelatore incasso. Built-in mixer.



ARTICOLO COMPLETO / COMPLETE ITEM

10524CROL
CROL/CRCI/CRNU

PARTE INCASSO BUILT-IN PART **PARTE ESTERNA DA ABBINARE** EXTERNAL MATCHING PART

FINITURE / FINISHES

- 09761**
- 10524CROLEU**
CROL/CRCI/CRNU
 - 10524BMOLEU ***
BMOL/BMCI/BMNU
 - 10524OROLEU**
OROL/ORCI/ORNU/PLOL/
PLCI/PLNU/NSOL/NSCI/NSNU/
COOL/COCI/CONU
 - 10524XXOLEU** ◻
XXOL/XXCI/XXNU

* Nella finitura BM alcuni componenti saranno realizzati in finitura OR. / In BM finish some components will be made in OR finish
◻ XX: Per tutte le altre finiture fattibili riferirsi a questa fascia di prezzo. / Refer to this line of price for all other realizable finishes.

Non disponibile in TT - BU - ON - FA - NE - AM - CM - OM - IM - NM - HM - BI / Not available TT - BU - ON - FA - NE - AM - CM - OM - IM - NM - HM - BI

10529

Miscelatore incasso con deviatore automatico a due uscite. Built-in mixer with 2 way automatic diverter.

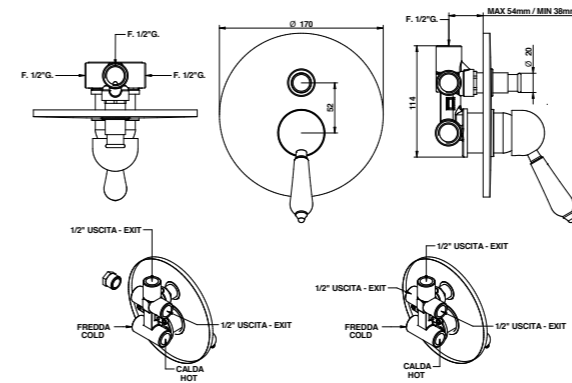


ARTICOLO COMPLETO / COMPLETE ITEM

10529CROL
CROL/CRCI/CRNU

Non disponibile in altre finiture. / Not available in other finishes.

Il corpo incasso non può essere anticipato. / Built-in body cannot be delivered separately in advance.



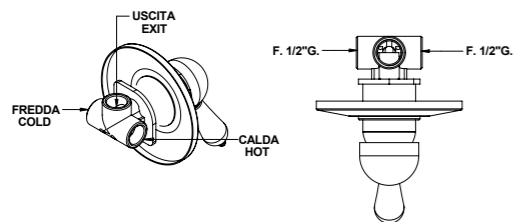
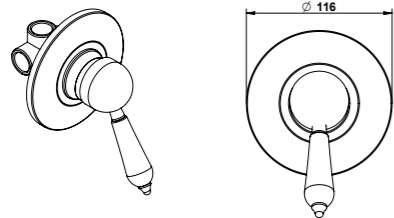
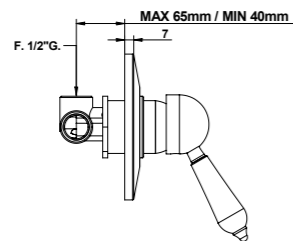
PROLUNGA / MIXER EXTENSION

00102CRPRR

OPTIONAL: Scatola incasso per cartongesso / Built-in box for drywall and cavity wall **09702PBOX**

RICAMBI / SPARE PARTS

9813 **00114CRPR**



PROLUNGA / MIXER EXTENSION

00100CRPRR

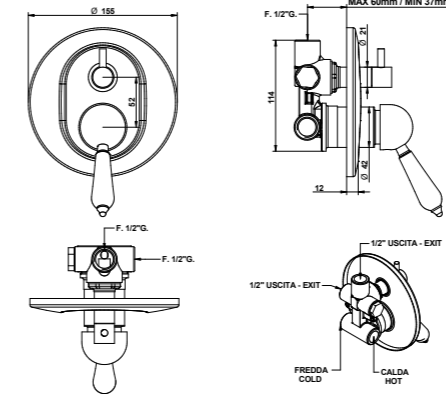
OPTIONAL: Scatola incasso per cartongesso / Built-in box for drywall and cavity wall **09702PBOX**

RICAMBI / SPARE PARTS

9813

10519

Miscelatore incasso con deviatore meccanico a 2 uscite. Built-in mixer with 2 way mechanical diverter.



ARTICOLO COMPLETO / COMPLETE ITEM

10519CROL
CROL/CRCI/CRNU

PARTE INCASSO BUILT-IN PART **PARTE ESTERNA DA ABBINARE** EXTERNAL MATCHING PART

FINITURE / FINISHES

- 09763**
- 10519CROLEU**
CROL/CRCI/CRNU
 - 10519BMOLEU ***
BMOL/BMCI/BMNU
 - 10519OROLEU**
OROL/ORCI/ORNU/PLOL/
PLCI/PLNU/NSOL/NSCI/NSNU/
COOL/COCI/CONU
 - 10519XXOLEU** ◻
XXOL/XXCI/XXNU

* Nella finitura BM alcuni componenti saranno realizzati in finitura OR. / In BM finish some components will be made in OR finish
◻ XX: Per tutte le altre finiture fattibili riferirsi a questa fascia di prezzo. / Refer to this line of price for all other realizable finishes.

Non disponibile in TT - BU - ON - FA - NE - AM - CM - OM - IM - NM - HM - BI / Not available TT - BU - ON - FA - NE - AM - CM - OM - IM - NM - HM - BI

OPTIONAL: Scatola incasso per cartongesso / Built-in box for drywall and cavity wall **09702PBOX**

RICAMBI / SPARE PARTS

9813 **9861**

PROLUNGA / MIXER EXTENSION

00102CRPRP3

ACCESSORI E RICAMBI / ACCESSORIES AND SPARE PARTS

- PROLUNGA**
MIXER EXTENSION
- CARTUCCIA E VITONE**
CARTRIDGE AND MECHANISM
- AERATORE**
AERATOR
- FLESSIBILE**
FLEXIBLE
- DOCCETTA**
HANDSHOWER
- DEVIATORE**
DIVERTER

FINITURE E COLORI / FINISHES AND COLOURS



MANIGLIE / LEVERS



* Disponibile su richiesta / Available on demand

ROYALE 80 / IMPERO
FLEUR BLANC&NOIR
CRISTALLO / RIVOLI
RADIANT
AXEL
OXFORD LUX / MILLE NUITS
CAPRI
LA TOSCA
TURANDOT
CLASSIC

10519/3

Miscelatore incasso con deviatore automatico a tre uscite. Built-in mixer with 3 way mechanical diverter.



ARTICOLO COMPLETO / COMPLETE ITEM

10519CR0L03
CROL/CRCI/CRNU

PARTE INCASSO / BUILT-IN PART **PARTE ESTERNA DA ABBINARE** / EXTERNAL MATCHING PART

FINITURE / FINISHES

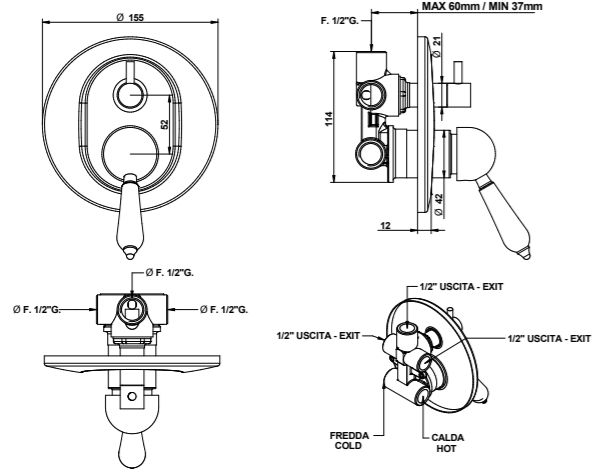
09763/3 **10519CR0L03EU**
CROL/CRCI/CRNU

10519OR0L03EU
OROL/ORCI/ORNUPLOL/PLCI/PLNU/NSOL/NSCI/NSNU/COOL/COCI/CONU

10519XX0L03EU *
XXOL/XXCI/XXNU

* XX: Per tutte le altre finiture fattibili riferirsi a questa fascia di prezzo. / Refer to this line of price for all other realizable finishes.

Non disponibile in TT - BU - ON - FA - NE - AM - CM - OM - IM - NM - HM - BI - BM / Not available TT - BU - ON - FA - NE - AM - CM - OM - IM - NM - HM - BI - BM



PROLUNGA / MIXER EXTENSION

00102CRPRP3

OPTIONAL: Scatola incasso per cartongesso / Built-in box for drywall and cavity wall **09702PBOX**

RICAMBI / SPARE PARTS

	9813		9860
--	-------------	--	-------------

FINITURE E COLORI / FINISHES AND COLOURS



MANIGLIE / LEVERS



* Disponibile su richiesta / Available on demand

10523

Miscelatore doccia esterno. External shower mixer.



ARTICOLO COMPLETO / COMPLETE ITEM

10523CR0L
CROL/CRCI/CRNU

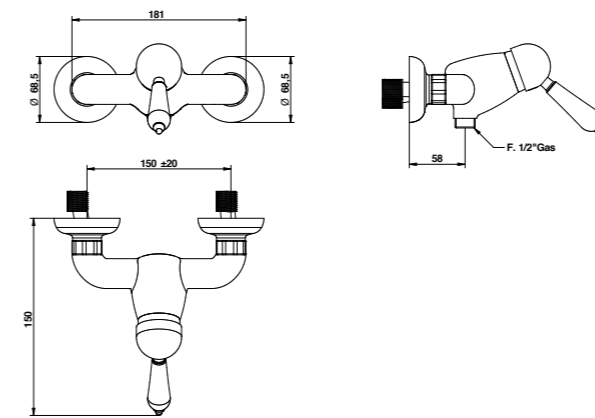
10523OR0L
OROL/ORCI/ORNUPLOL/PLCI/PLNU/NSOL/NSCI/NSNU/COOL/COCI/CONU

10523XX0L *
XXOL/XXCI/XXNU

* XX: Per tutte le altre finiture fattibili riferirsi a questa fascia di prezzo. / Refer to this line of price for all other realizable finishes.

Non disponibile in TT - BU - ON - FA - NE - AM - CM - OM - IM - NM - HM - BI - BM / Not available TT - BU - ON - FA - NE - AM - CM - OM - IM - NM - HM - BI - BM

ABBINABILE A / TO MATCH WITH:
Asta saliscendi / Sliding rail - **871**
Set doccia / Duplex set - **831**



RICAMBI / SPARE PARTS

	9812
--	-------------

10526/D

Miscelatore vasca esterno completo di set doccia. External bath and shower mixer with duplex shower set.

Dettaglio flessibili / Flexible details pag. 42

ARTICOLO COMPLETO / COMPLETE ITEM

10526CR0LOD
CROL/CRCI/CRNU

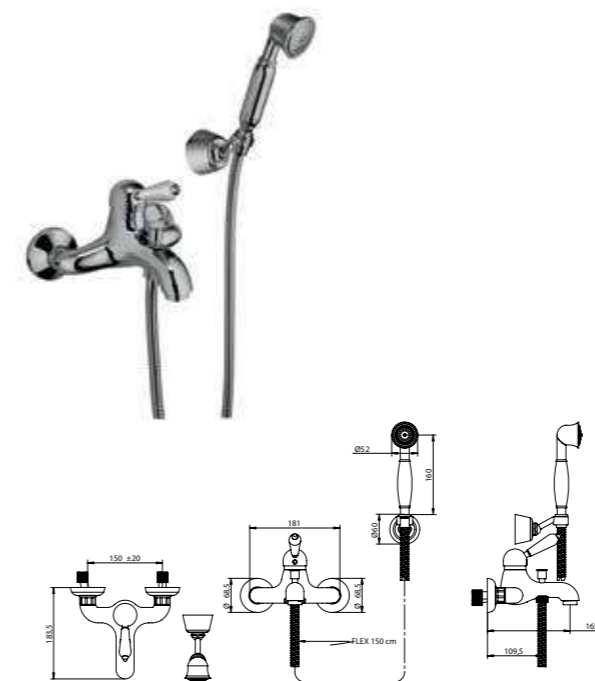
10526OR0LOD
OROL/ORCI/ORNUPLOL/PLCI/PLNU/NSOL/NSCI/NSNU/COOL/COCI/CONU

10526XX0LOD *
XXOL/XXCI/XXNU

* XX: Per tutte le altre finiture fattibili riferirsi a questa fascia di prezzo. / Refer to this line of price for all other realizable finishes.

Non disponibile in TT - BU - ON - FA - NE - AM - CM - OM - IM - NM - HM - BI - BM / Not available TT - BU - ON - FA - NE - AM - CM - OM - IM - NM - HM - BI - BM

Alternativa per finiture: art. 19526. / Finishes alternative: item 19526.



RICAMBI / SPARE PARTS

	9812		9997CR
	9600CR		00851CR00
	00851XX00 *		9600XX00

* Ricambio per finiture diverse dal cromo. / Spare part for different finishes.
Per le finiture verniciate e satinare il flessibile verrà fornito con calotta in delrin nero. / The flexible will be supplied with black delrin conical connection for painted and matt finishes.

ACCESSORI E RICAMBI / ACCESSORIES AND SPARE PARTS



ROYALE 80 / IMPERO
FLEUR BLANC&NOIR
CRISTALLO / RIVOLI
RADIANT
AXEL
OXFORD LUX / MILLE NUITS
CAPRI
LA TOSCA
TURANDOT
CLASSIC

10530/D

Gruppo vasca incasso con set doccia Built-in bath and shower mixer with duplex shower set.

Dettaglio flessibili / Flexible details pag. 42



ARTICOLO COMPLETO / COMPLETE ITEM

10530CROLOD
CROL/CRCI/CRNU

PARTE INCASSO
BUILT-IN PART

PARTE ESTERNA DA ABBINARE
EXTERNAL MATCHING PART

FINITURE / FINISHES

09763

10530CROLODEU
CROL/CRCI/CRNU

10530OROLODEU
OROL/ORCI/ORNU/PLOL/
PLCI/PLNU/NSOL/NSCI/NSNU/
COOL/COCI/CONU

10530XXOLODEU *
XXOL/XXCI/XXNU

* XX: Per tutte le altre finiture fattibili riferirsi a questa fascia di prezzo. / Refer to this line of price for all other realizable finishes.

Non disponibile in TT - BU - ON - FA - NE - AM - CM - OM - IM - NM - HM - BI - BM / Not available TT - BU - ON - FA - NE - AM - CM - OM - IM - NM - HM - BI - BM

PROLUNGA / MIXER EXTENSION

00102CRPRP3

OPTIONAL: Scatola incasso per cartongesso / Built-in box for drywall and cavity wall **09702PBOX**

RICAMBI / SPARE PARTS

	9813		9997CR
	9600CR		00851CR00
	9861		00851XX00 *
	9600XX00 ◻		

* Ricambio per finiture diverse dal cromo. / Spare part for different finishes.
◻ Per le finiture verniciate e satinare il flessibile verrà fornito con calotta in delrin nero. / The flexible will be supplied with black delrin conical connection for painted and matt finishes.

FINITURE E COLORI / FINISHES AND COLOURS



MANIGLIE / LEVERS



* Disponibile su richiesta / Available on demand

10537/D

Miscelatore doccia esterno completo di tubo doccia, deviatore, soffione External shower mixer with tube, diverter, diam. 208 mms. shower head and hand shower set.

Dettaglio flessibili / Flexible details pag. 42



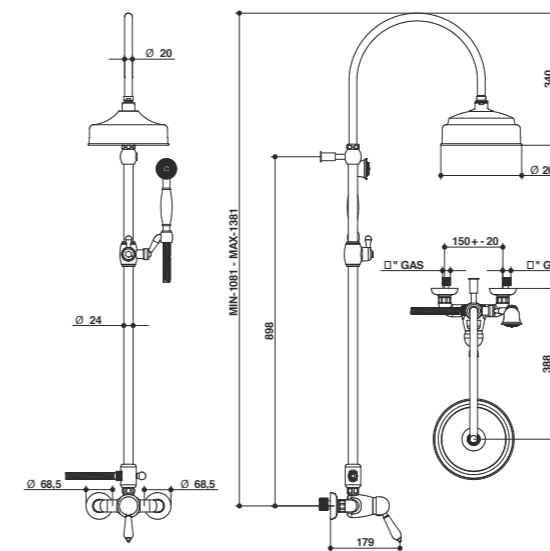
ARTICOLO COMPLETO / COMPLETE ITEM

10537CROLOD
CROL/CRCI/CRNU

10537OROLOD
OROL/ORCI/ORNU/PLOL/PLCI/PLNU/NSOL/NSCI/NSNU/
COOL/COCI/CONU

Non disponibile in TT - BU - ON - FA - NE - AM - CM - OM - IM - NM - HM - BI - BM / Not available TT - BU - ON - FA - NE - AM - CM - OM - IM - NM - HM - BI - BM

Alternativa per finiture: colonna doccia codice 09537/D, 09536/D, 09555/D. / Finishes alternative: shower column code 09537/D, 09536/D, 09555/D.



RICAMBI / SPARE PARTS

	9812		9600CR
	00851CR00		121CR0L
	00851XX00 *		9600XX00 ◻
	10860XX00 *		

* Ricambio per finiture diverse dal cromo. / Spare part for different finishes.
◻ Per le finiture verniciate e satinare il flessibile verrà fornito con calotta in delrin nero. / The flexible will be supplied with black delrin conical connection for painted and matt finishes.

ACCESSORI E RICAMBI / ACCESSORIES AND SPARE PARTS



ROYALE 80 / IMPERO
FLEUR BLANC&NOIR
CRISTALLO / RIVOLI
RADIANT
AXEL
OXFORD LUX / MILLE NUITS
CAPRI
LA TOSCA
TURANDOT
CLASSIC



ACCESSORIES

COLLECTIONS

PAG. 834
TIME2020

PAG. 840
HOTELLERIE - ON

PAG. 848
STELTH

PAG. 852
T COLLECTION

PAG. 860
DOMINO Q - LINE

PAG. 864
IMPERO

PAG. 872
FLEUR

PAG. 880
RADIANT

PAG. 888
AXEL

ACCESSORIES

DESIGN CENTER DIRECTED BY
ANTONIO BONGIO



INFORMAZIONI TECNICHE

Technical details



NOTA FINITURE FA / TT: I prodotti nelle finiture Ferro Antico (FA) e Terra di Toscana (TT) vengono realizzati con trattamenti manuali e, data la particolare lavorazione artigianale, possono presentare una colorazione non uniforme.

NOTA FINITURE ON / BU: Le finiture Ottone Naturale (ON) e Ottone Burattato (BU) sono finiture naturali che con il tempo a contatto con l'atmosfera cambiano di tonalità. Ricordano il sapore materico e grezzo delle vecchie rubinetterie utilizzate anche in esterno. Interessante contrasto anche per le serie più moderne.

FINISHES NOTE FA / TT: Products in Ferro Antico (FA) and Terra di Toscana (TT) finish are made with manual treatments and may therefore display colour variations due to the particular craftsmanship.

NOTE ON FINISHES ON / BU: The Natural Brass (ON) and Hammered Brass (BU) finishes are natural finishes that change color over time by being in contact with the natural atmosphere. They are reminiscent of the materials and rustic nature of old outdoor taps, providing an enticing contrast even for the most modern series.

FINITURE E COLORI

Finishes and colours

TIME2020

DETTAGLI / MORE INFO PAG. 38



AS

Acciaio Spazzolato
Brushed Steel



NE

Nero Opaco
Matt Black
(RAL 9005)

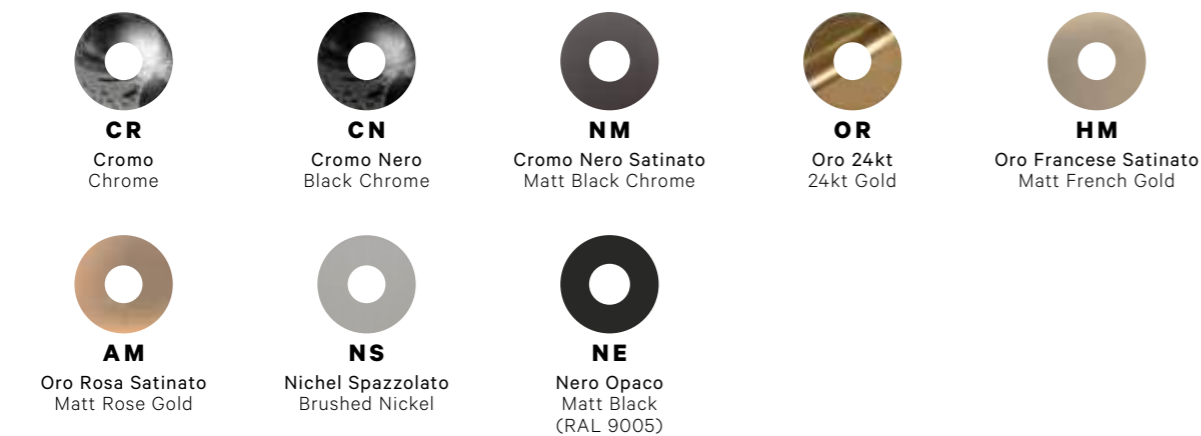
HOTELLIERE - ON

DETTAGLI / MORE INFO PAG. 38



STELTH

DETTAGLI / MORE INFO PAG. 38



* Disponibile su richiesta / Available on request

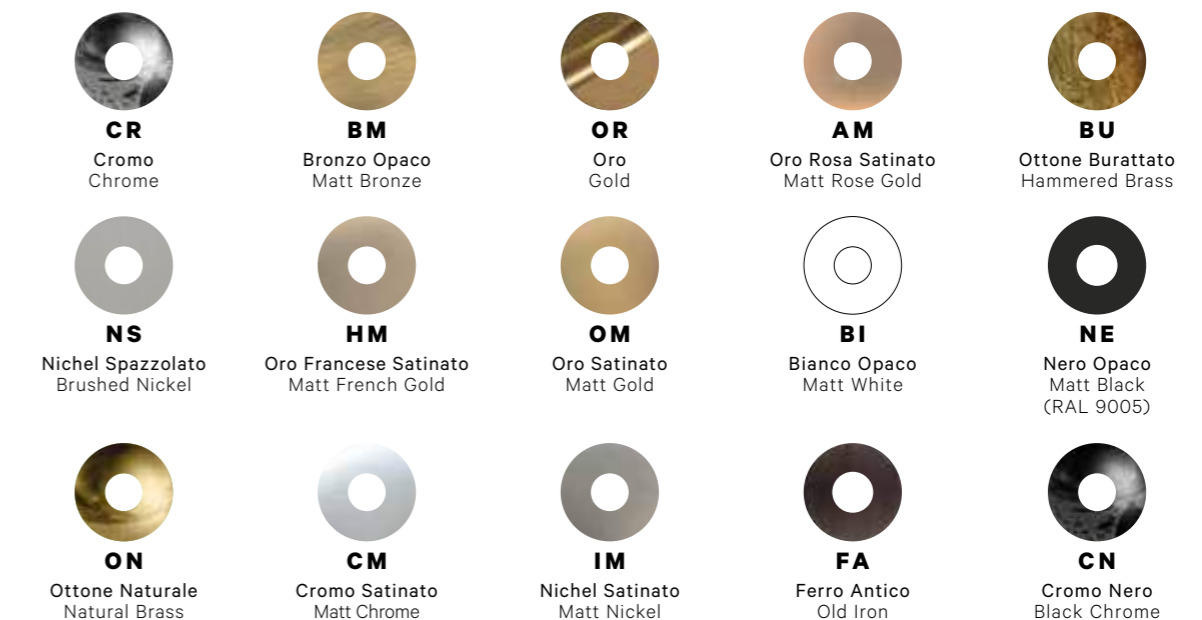
T COLLECTION

DETTAGLI / MORE INFO PAG. 38



DOMINO Q - LINE

DETTAGLI / MORE INFO PAG. 38



* Disponibile su richiesta / Available on request

IMPERO

DETTAGLI / MORE INFO PAG. 38

**CR**Cromo
Chrome**CN**Cromo Nero
Black Chrome**NI**Nichel Lucido
Light Nickel**OR**Oro 24kt
24kt Gold**OP**Oro Spazzolato 24kt
24kt Brushed Gold**AM**Oro Rosa Satinato
Matt Rose Gold

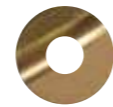
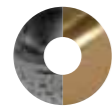
FLEUR

DETTAGLI / MORE INFO PAG. 38

**CR**Cromo
Chrome**NI**Nichel Lucido
Light Nickel**NS**Nichel Spazzolato
Brushed Nickel**PL**Platinum
Platinum**OR**Oro 24kt
24kt Gold**OP**Oro Spazzolato 24kt
24kt Brushed Gold

RADIANT

DETTAGLI / MORE INFO PAG. 38

**CR**Cromo
Chrome**NI**Nichel Lucido
Light Nickel**NS**Nichel Spazzolato
Brushed Nickel**PL**Platinum
Platinum**OR**Oro 24kt
24kt Gold**CO**Cromo + Oro
Chrome + Gold**OA***Oro Rosa
Rose Gold

* Disponibile su richiesta / Available on request

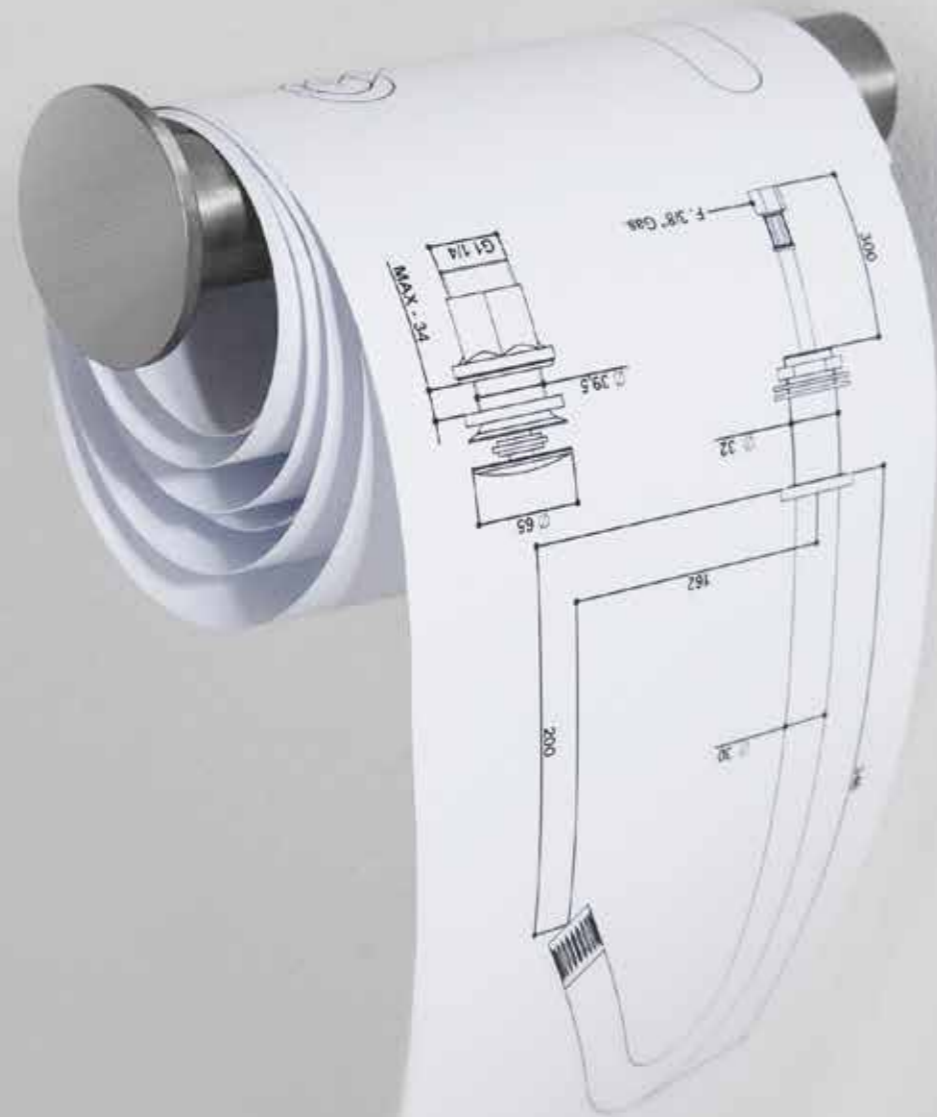
AXEL

DETTAGLI / MORE INFO PAG. 38

**CR**Cromo
Chrome**NS**Nichel Spazzolato
Brushed Nickel**FA**Ferro Antico
Old Iron**NM**Cromo Nero Satinato
Matt Black Chrome**HM**Oro Francese Satinato
Matt French Gold**OR**Oro 24kt
24kt Gold**BM**Bronzo Opaco
Matt Bronze**ON**Ottone Naturale
Natural Brass**BU**Ottone Burattato
Hammered Brass

Art. 15014BR00

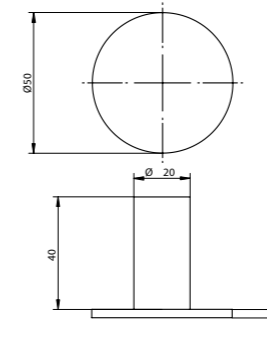
TIME2020



Art. 70002AS00

70001

Porta abito in acciaio spazzolato 316. 316 brushed stainless steel robe hook.

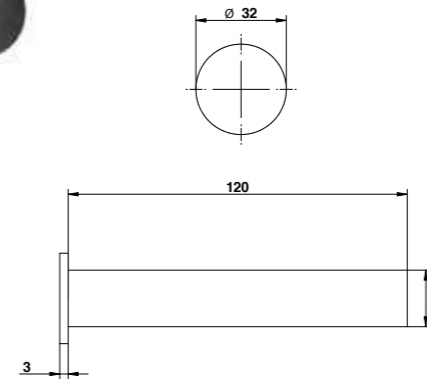


ARTICOLO COMPLETO / COMPLETE ITEM

70001AS00
AS70001NE00
NE

70002

Porta rotolo in acciaio spazzolato 316. 316 brushed stainless steel toilet paper holder.

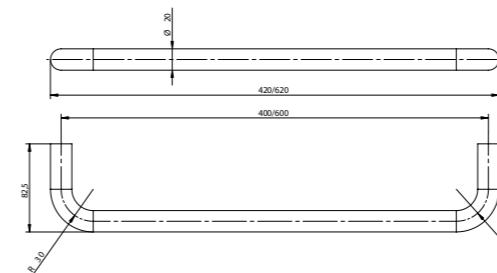


ARTICOLO COMPLETO / COMPLETE ITEM

70002AS00
AS70002NE00
NE

70007/40-60

Porta asciugamano 400/600 mm in acciaio spazzolato 316. 316 brushed stainless steel 400/600 mms. towel rail.



ARTICOLO COMPLETO / COMPLETE ITEM

70007AS40
AS70007AS60
AS70007NE40
NE70007NE60
NE

FINITURE E COLORI / FINISHES AND COLOURS



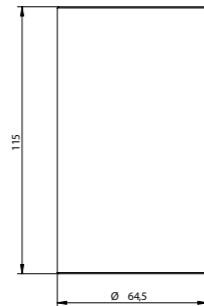
ACCESSORI E RICAMBI / ACCESSORIES AND SPARE PARTS

BICCHIERE
GLASSPOMPETTA DISPENSER
DISPENSER PUMPPORTA SAPONE
SOAP HOLDERVASO SCOPINETTO
BRUSHED POTSCOPINETTO
PLASTIC BRUSHED

**70022**

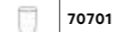
Bicchiere appoggio in acciaio spazzolato 316.

316 brushed stainless steel toothbrushed holder to lean.

**ARTICOLO COMPLETO / COMPLETE ITEM**

70022AS00
AS

70022NE00
NE

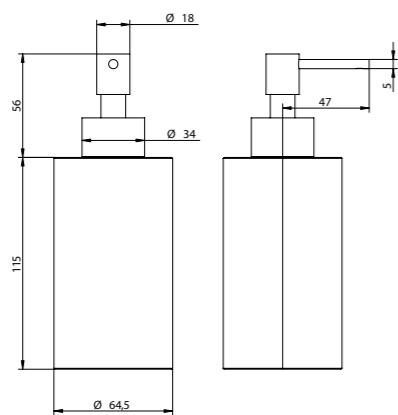
RICAMBI / SPARE PARTS

70701

70027

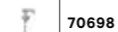
Dispenser appoggio in acciaio spazzolato 316.

316 brushed stainless steel soap dispenser to lean.

**ARTICOLO COMPLETO / COMPLETE ITEM**

70027AS00
AS

70027NE00
NE

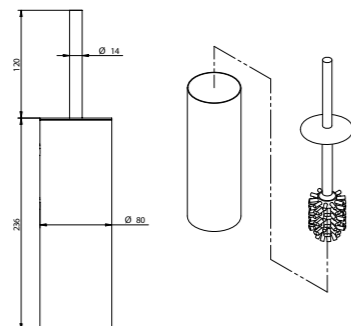
RICAMBI / SPARE PARTS

70698

70025

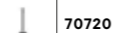
Porta scopino appoggio in acciaio spazzolato 316 con base ABS antigraffio.

316 brushed stainless steel toilet brush holder to lean with scratchproof ABS base.

**ARTICOLO COMPLETO / COMPLETE ITEM**

70025AS00
AS

70025NE00
NE

RICAMBI / SPARE PARTS

70720

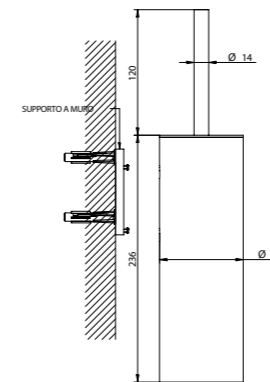
FINITURE E COLORI / FINISHES AND COLOURS

AS NE

70026

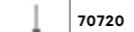
Porta scopino a muro in acciaio spazzolato 316 con base ABS antigraffio.

316 brushed stainless steel toilet brush holder to the wall with scratchproof ABS base.

**ARTICOLO COMPLETO / COMPLETE ITEM**

70026AS00
AS

70026NE00
NE

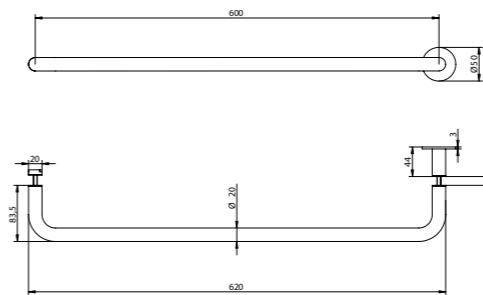
RICAMBI / SPARE PARTS

70720

70005

Maniglione orizzontale o verticale per porta doccia 600 mm in acciaio spazzolato 316.

316 brushed stainless steel 600 mms. horizontal or vertical door shower handle.

**ARTICOLO COMPLETO / COMPLETE ITEM**

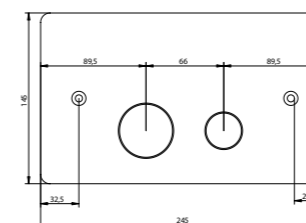
70005AS00
AS

70005NE00
NE

70033

Placca di comando cassetta wc in acciaio spazzolato 316, compatibile con cassetta da incasso Geberit: Sigma 8 - Sigma 12

316 brushed stainless steel toilet flush control plate, compatible with Geberit built-in box: Sigma 8 - Sigma 12

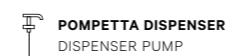
**ARTICOLO COMPLETO / COMPLETE ITEM**

70033AS00
AS

Non disponibile in altre finiture. / Not available in other finishes.

ACCESSORI E RICAMBI / ACCESSORIES AND SPARE PARTS

BICCHIERE
GLASS



POMPETTA DISPENSER
DISPENSER PUMP



PORTA SAPONE
SOAP HOLDER



VASO SCOPINETTO
BRUSHED POT

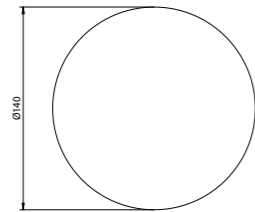
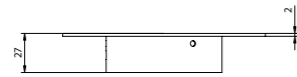


SCOPINETTO
PLASTIC BRUSHED

**70010**

Lampada led a muro ø 140 mm in acciaio spazzolato 316.

316 brushed stainless steel wall led light lamp (ø 140 mms.).

**ARTICOLO COMPLETO / COMPLETE ITEM**

70010AS00
AS

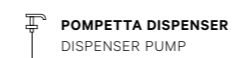
70010NE00
NE

FINITURE E COLORI / FINISHES AND COLOURS

Art. 70027AS00

ACCESSORI E RICAMBI / ACCESSORIES AND SPARE PARTS

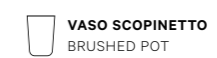
BICCHIERE
GLASS



POMPETTA DISPENSER
DISPENSER PUMP



PORTA SAPONE
SOAP HOLDER



VASO SCOPINETTO
BRUSHED POT



SCOPINETTO
PLASTIC BRUSHED

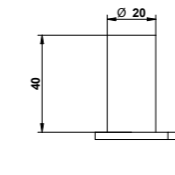
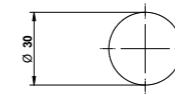
HOTELLERIE
ON

Art. 44001NS00

44001

Porta abito.

Robe hook.



ARTICOLO COMPLETO / COMPLETE ITEM

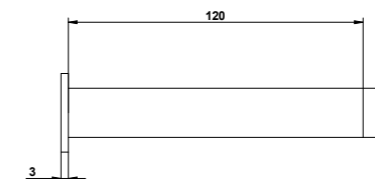
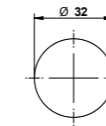
44001CR00
CR44001BI00
BI/NE44001NS00
NS/RS/SS/SB/LI/BU/ON44001OR00
OR/NM/BM/HM44001AM00
AM44001XX00*
XX

* XX: Per tutte le altre finiture fattibili riferirsi a questa fascia di prezzo. / Refer to this line of price for all other realizable finishes.

44009

Porta rotolo.

Toilet paper holder.



ARTICOLO COMPLETO / COMPLETE ITEM

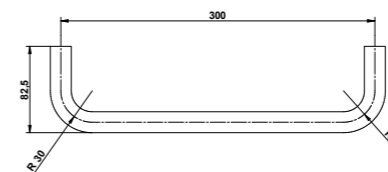
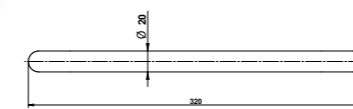
44009CR00
CR44009BI00
BI/NE44009NS00
NS/RS/SS/SB/LI/BU/ON44009OR00
OR/NM/BM/HM44009AM00
AM44009XX00*
XX

* XX: Per tutte le altre finiture fattibili riferirsi a questa fascia di prezzo. / Refer to this line of price for all other realizable finishes.

44007/30

Porta asciugamano 300 mm.

300 mms. towel rail.



ARTICOLO COMPLETO / COMPLETE ITEM

44007CR30
CR44007BI30
BI/NE44007NS30
NS/RS/SS/SB/LI/BU/ON44007OR30
OR/NM/BM/HM44007AM30
AM44007XX30*
XX

* XX: Per tutte le altre finiture fattibili riferirsi a questa fascia di prezzo. / Refer to this line of price for all other realizable finishes.

FINITURE E COLORI / FINISHES AND COLOURS



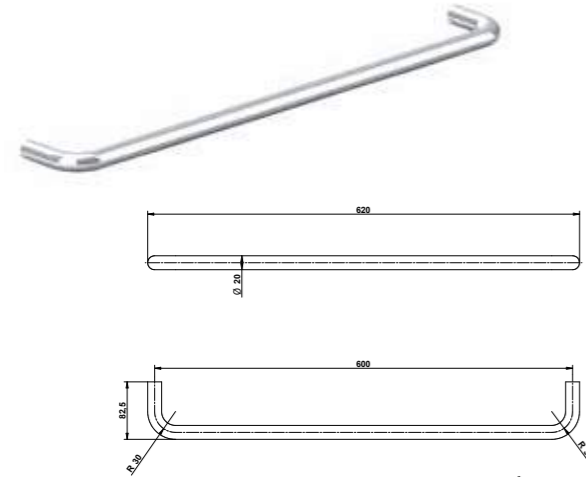
* Disponibile su richiesta / Available on demand

ACCESSORI E RICAMBI / ACCESSORIES AND SPARE PARTS

BICCHIERE
GLASSPOMPETTA DISPENSER
DISPENSER PUMPPORTA SAPONE
SOAP HOLDERVASO SCOPINETTO
BRUSHED POTSCOPINETTO
PLASTIC BRUSHED

44007/60

Porta asciugamano 600 mm. 600 mms. towel rail.



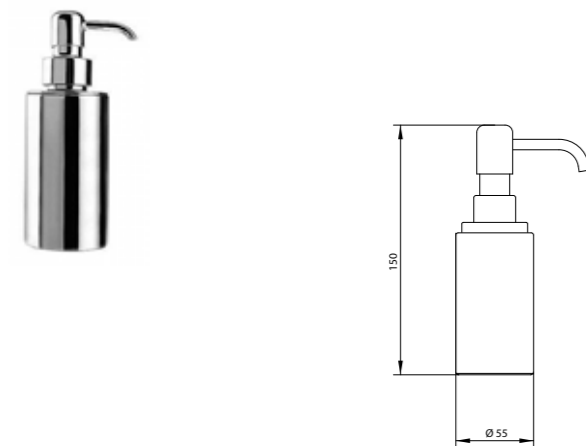
ARTICOLO COMPLETO / COMPLETE ITEM

- 44007CR60**
CR
- 44007BI60**
BI/NE
- 44007NS60**
NS/RS/SS/SB/LI/BU/ON
- 44007OR60**
OR/NM/BM/HM
- 44007AM60**
AM
- 44007XX60 ***
XX

* XX: Per tutte le altre finiture fattibili riferirsi a questa fascia di prezzo. / Refer to this line of price for all other realizable finishes.

30027

Porta dispenser appoggio. Soap dispenser to lean.



ARTICOLO COMPLETO / COMPLETE ITEM

- 30027CR00**
CR
- 30027BI00**
BI/NE/NS/RS/SS/SB/LI/BU/ON/
CM/IM
- 30027OR00**
OR/NM/BM/HM
- 30027AM00**
AM
- 30027XX00 ***
XX

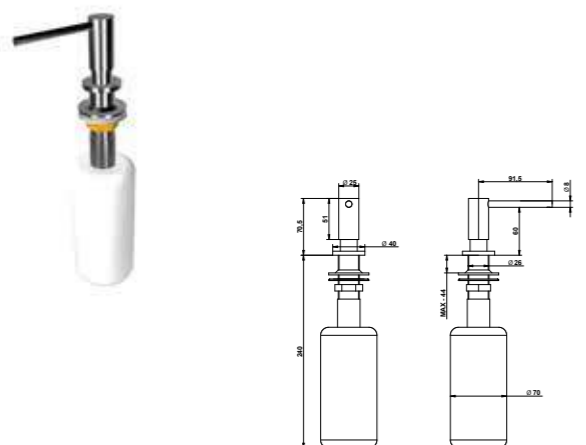
* XX: Per tutte le altre finiture fattibili riferirsi a questa fascia di prezzo. / Refer to this line of price for all other realizable finishes.

RICAMBI / SPARE PARTS

- 30698CR**

30698/DA

Dispenser da piano. Deck dispenser.



ARTICOLO COMPLETO / COMPLETE ITEM

- 30698CRDA**
CR
- 30698NSDA**
NS/BI/NE/BU/ON
- 30698ORDA**
OR/NM/AM/CN
- 30698XXDA ***
XX

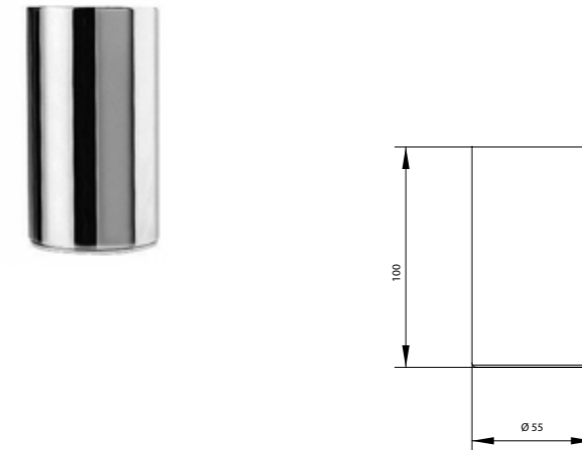
* XX: Per tutte le altre finiture fattibili riferirsi a questa fascia di prezzo. / Refer to this line of price for all other realizable finishes.

RICAMBI / SPARE PARTS

- 30695CR**

30022

Porta bicchiere appoggio. Glass holder to lean.



ARTICOLO COMPLETO / COMPLETE ITEM

- 30022CR00**
CR
- 30022NE00**
NE/NS/RS/SS/SB/LI/BU/ON/
CM/IM
- 30022OR00**
OR/NM/BM/HM
- 30022AM00**
AM
- 30022XX00 ***
XX

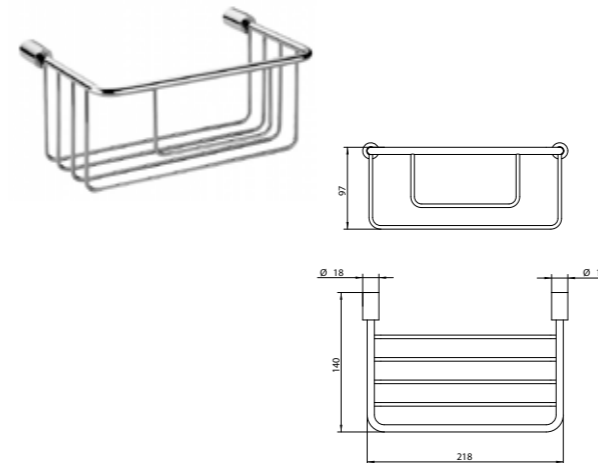
* XX: Per tutte le altre finiture fattibili riferirsi a questa fascia di prezzo. / Refer to this line of price for all other realizable finishes.

RICAMBI / SPARE PARTS

- 30697**

30017

Cestello rettangolare. Rectangular basket.



ARTICOLO COMPLETO / COMPLETE ITEM

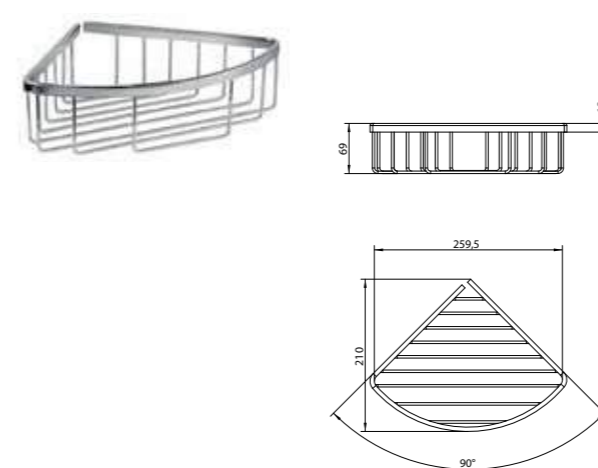
- 30017CR00**
CR
- 30017BI00**
BI/NE/NS
- 30017OR00**
OR/NM/BM/HM
- 30017AM00**
AM
- 30017XX00 ***
XX

* XX: Per tutte le altre finiture fattibili riferirsi a questa fascia di prezzo. / Refer to this line of price for all other realizable finishes.

Non disponibile in TT - BU - ON / Not available TT - BU - ON

30011

Cestello singolo ad angolo in ottone. Brass corner basket soap holder.



ARTICOLO COMPLETO / COMPLETE ITEM

- 30011CR00**
CR
- 30011BI00**
BI/NE
- 30011OR00**
OR/NS/PL/NI/HM/NM/FA
- 30011AM00**
AM/OP/CN
- 30011XX00 ***
XX

* XX: Per tutte le altre finiture fattibili riferirsi a questa fascia di prezzo. / Refer to this line of price for all other realizable finishes.

Non disponibile in BM - TT - BU - ON - FA - IM - NM - OM - HM - CM / Not available BM - TT - BU - ON - FA - IM - NM - OM - HM - CM

FINITURE E COLORI / FINISHES AND COLOURS



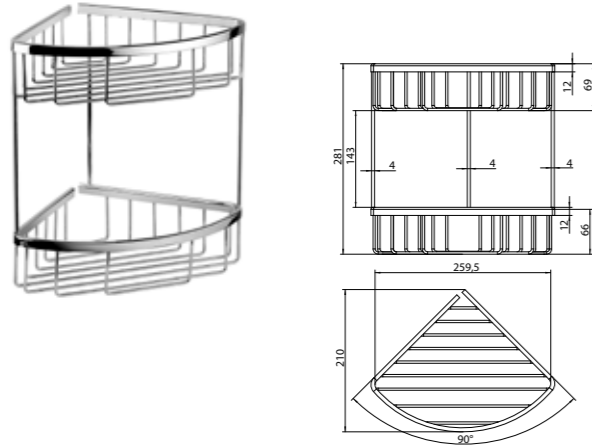
* Disponibile su richiesta / Available on demand

ACCESSORI E RICAMBI / ACCESSORIES AND SPARE PARTS



30021

Cestello doppio ad angolo in ottone. Double brass corner basket soap holder.



ARTICOLO COMPLETO / COMPLETE ITEM

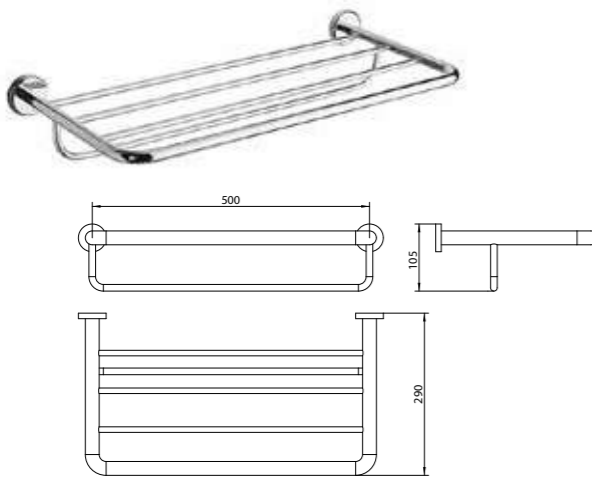
- 30021CR00**
CR
- 30021BR00**
BR/BI/NE
- 30021OR00**
OR/FA/HM/NM/NS/NI/PL
- 30021AM00**
AM/OP/CN
- 30021XX00 ***
XX

* XX: Per tutte le altre finiture fattibili riferirsi a questa fascia di prezzo. / Refer to this line of price for all other realizable finishes.

Non disponibile in BM - TT - BU - ON - IM - OM - CM / Not available BM - TT - BU - ON - IM - OM - CM

04101

Griglia porta teli 500 mm. Mms. 500 towel shelf.



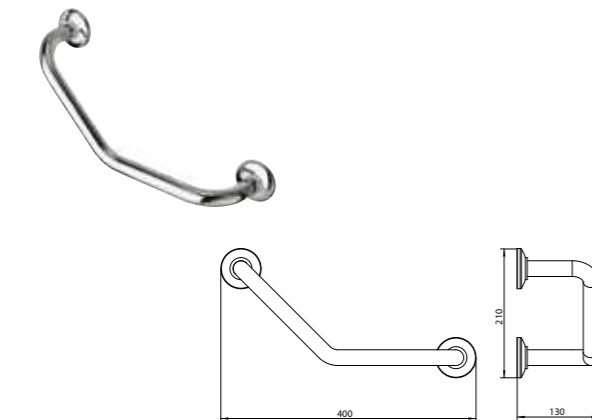
ARTICOLO COMPLETO / COMPLETE ITEM

- 04101CR00**
CR
- 04101BI00**
BI/NE
- 04101NS00**
NS
- 04101OR00**
OR/BM/HM
- 04101AM00**
AM
- 04101XX00 ***
XX

* XX: Per tutte le altre finiture fattibili riferirsi a questa fascia di prezzo. / Refer to this line of price for all other realizable finishes.

04104

Maniglione per vasca. Grab-bar for bath tub without soap holder.



ARTICOLO COMPLETO / COMPLETE ITEM

- 04104CR00**
CR
- 04104OR00**
OR/NS/NI/PL
- 04104OP00**
OP/AM/CN
- 04104XX00 ***
XX

* XX: Per tutte le altre finiture fattibili riferirsi a questa fascia di prezzo. / Refer to this line of price for all other realizable finishes.

Non disponibile in BM - TT - BU - ON - FA - IM - NM - OM - HM - CM / Not available BM - TT - BU - ON - FA - IM - NM - OM - HM - CM

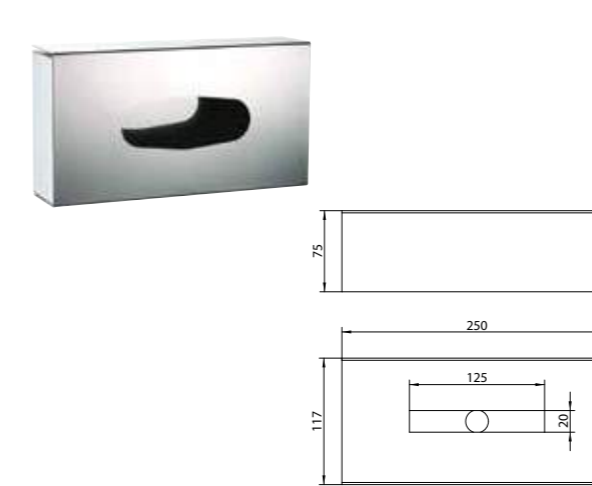
FINITURE E COLORI / FINISHES AND COLOURS



* Disponibile su richiesta / Available on demand

04103

Contenitore porta fazzoletti muro/ appoggio in acciaio. Wall kleenex dispenser.



ARTICOLO COMPLETO / COMPLETE ITEM

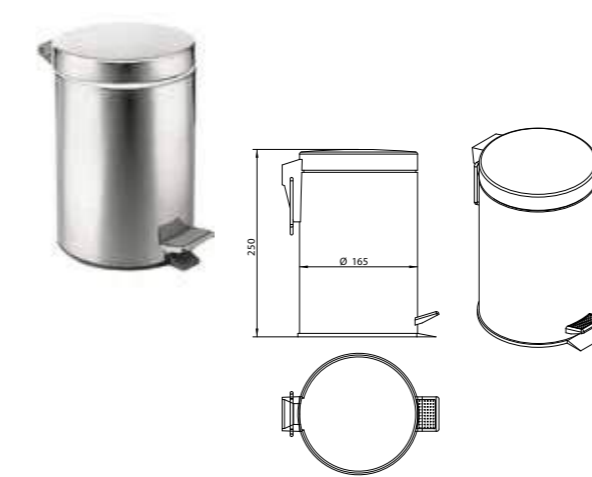
- 04103CR00**
CR
- 04103OR00**
OR/NS/NI/PL/HM/NM
- 04103AM00**
AM/OP/CN
- 04103XX00 ***
XX

* XX: Per tutte le altre finiture fattibili riferirsi a questa fascia di prezzo. / Refer to this line of price for all other realizable finishes.

Non disponibile in BM - TT - BU - ON - FA - IM - NM - OM - HM - CM / Not available BM - TT - BU - ON - FA - IM - NM - OM - HM - CM

04102

Porta rifiuti coperchio, a pedale 3 lt. 3 lt. Trash bin.



ARTICOLO COMPLETO / COMPLETE ITEM

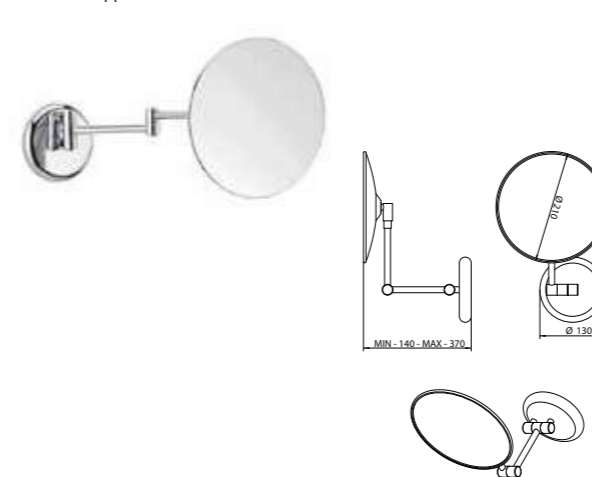
- 04102CR00**
CR
- 04102OR00**
OR/NS/NI/PL/HM/NM
- 04102AM00**
AM/OP/CN
- 04102XX00 ***
XX

* XX: Per tutte le altre finiture fattibili riferirsi a questa fascia di prezzo. / Refer to this line of price for all other realizable finishes.

Non disponibile in BM - TT - BU - ON - FA - IM - NM - OM - HM - CM / Not available BM - TT - BU - ON - FA - IM - NM - OM - HM - CM

04042

Specchio ingranditore a muro con braccio doppio Ø 21 cm. Ø. 21 mirror to the wall with double arm.



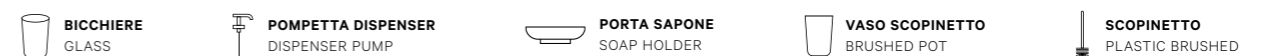
ARTICOLO COMPLETO / COMPLETE ITEM

- 04042CR00**
CR
- 04042BI00 ***
BI/NE
- 04042NS00**
NS
- 04042OR00 ***
OR/NM
- 04042AM00 ***
AM
- 04042XX00 □**
XX

* Nelle varianti colore verniciate e satinata alcuni particolari saranno in finitura galvanica per garantire gli standard qualitativi. / To assure our quality standard on colored product, some details remain in galvanic finishes.

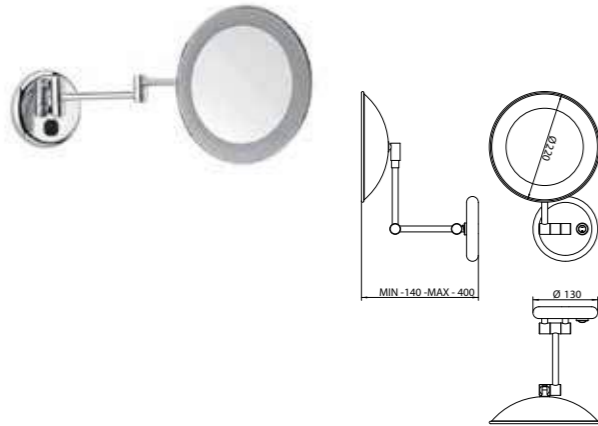
□ XX: Per tutte le altre finiture fattibili riferirsi a questa fascia di prezzo. / Refer to this line of price for all other realizable finishes.

ACCESSORI E RICAMBI / ACCESSORIES AND SPARE PARTS



04042/LM

Specchio ingranditore a muro con braccio doppio e luce Ø 22 cm. / Toilettino ingranditore a muro con braccio doppio e luce Ø 22 cm.



ARTICOLO COMPLETO / COMPLETE ITEM

04042CRLM
CR

04042BILM *
BI/NE

04042NSLM
NS

04042ORLM *
OR/NM

04042AMLM *
AM

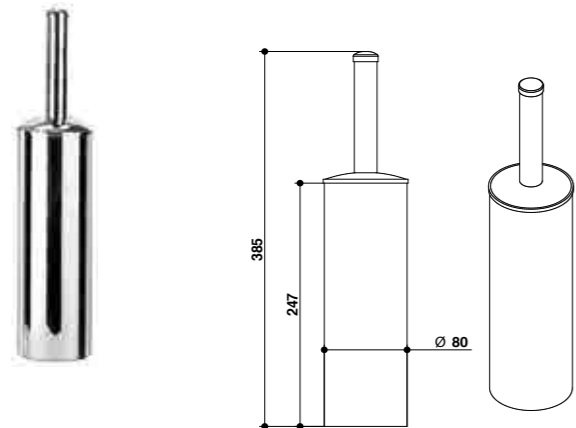
04042XXLM *
XX

* Nelle varianti colore verniciate e satinare alcuni particolari saranno in finitura galvanica per garantire gli standard qualitativi. / To assure our quality standard on colored product, some details remain in galvanic finishes.

** XX: Per tutte le altre finiture fattibili riferirsi a questa fascia di prezzo. / Refer to this line of price for all other realizable finishes.

21025

Porta scopino da appoggio con base in ABS antigraffio. / Toilet brush holder to lean with scratchproof ABS base.



ARTICOLO COMPLETO / COMPLETE ITEM

21025CR00
CR

21025CO00
CO

21025BI00
BI/NE

21025RS00
RS/SS/SB/LI/BU/ON

21025OR00
OR/FA/NS/NI/PL/NM/BM/HM

21025AM00
AM/OP/CN

21025XX00 *
XX

* XX: Per tutte le altre finiture fattibili riferirsi a questa fascia di prezzo. / Refer to this line of price for all other realizable finishes.

RICAMBI / SPARE PARTS

↓ 30720

FINITURE E COLORI / FINISHES AND COLOURS

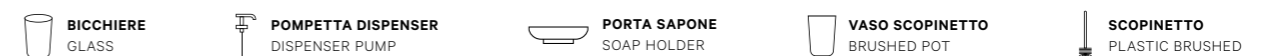


* Disponibile su richiesta / Available on demand



Art. 30017CR00

ACCESSORI E RICAMBI / ACCESSORIES AND SPARE PARTS



STELTH

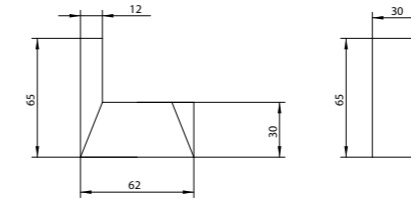


Art. 01007OR40

01001

Porta abito.

Robe hook.



ARTICOLO COMPLETO / COMPLETE ITEM

01001CR00
CR01001NE00
NE/NS01001NM00
NM/HM/AM/CN/OR01001XX00 *
XX

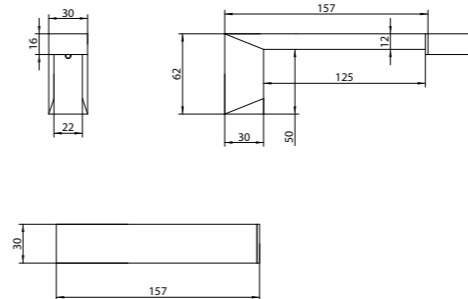
* XX: Per tutte le altre finiture fattibili riferirsi a questa fascia di prezzo. / Refer to this line of price for all other realizable finishes.

Non disponibile in TT - BM - ON - BU / Not available TT - BM - ON - BU

01009

Porta rotolo.

Toilet paper holder.



ARTICOLO COMPLETO / COMPLETE ITEM

01009CR00
CR01009NE00
NE/NS01009NM00
NM/HM/AM/CN/OR01009XX00 *
XX

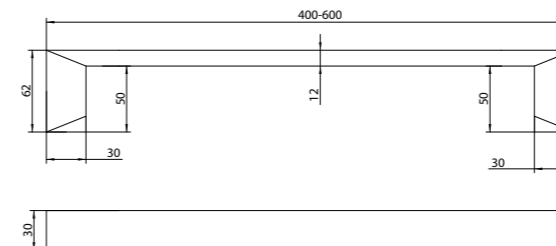
* XX: Per tutte le altre finiture fattibili riferirsi a questa fascia di prezzo. / Refer to this line of price for all other realizable finishes.

Non disponibile in TT - BM - ON - BU / Not available TT - BM - ON - BU

01007/40-60

Porta asciugamano 400/600 mm.

400/600 mms. towel rail.



ARTICOLO COMPLETO / COMPLETE ITEM

01007CR40
CR01007NE40
NE/NS01007CR60
CR01007NM40
NM/HM/AM/CN/OR01007NE60
NE/NS01007NM60
NM/HM/AM/CN/OR01007XX40 *
XX01007XX60 *
XX

* XX: Per tutte le altre finiture fattibili riferirsi a questa fascia di prezzo. / Refer to this line of price for all other realizable finishes.

Non disponibile in TT - BM - ON - BU / Not available TT - BM - ON - BU

FINITURE E COLORI / FINISHES AND COLOURS



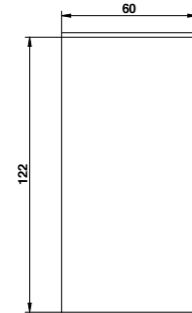
ACCESSORI E RICAMBI / ACCESSORIES AND SPARE PARTS

BICCHIERE
GLASSPOMPETTA DISPENSER
DISPENSER PUMPPORTA SAPONE
SOAP HOLDERVASO SCOPINETTO
BRUSHED POTSCOPINETTO
PLASTIC BRUSHED

43022/DA

Bicchieri da appoggio.

Glass to lean.



ARTICOLO COMPLETO / COMPLETE ITEM

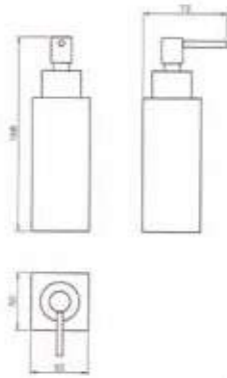
43022CRDA
CR43022BIDA
BI/NE/NS43022FADA
FA/OM43022CNDA
CN/OR/NM/AM/HM43022XXDA *
XX* XX: Per tutte le altre finiture fattibili riferirsi a questa fascia di prezzo. /
Refer to this line of price for all other realizable finishes.

Non disponibile in TT - BM - ON - BU / Not available TT - BM - ON - BU

43027/DA

Dispenser da appoggio.

Soap dispenser to lean.D



ARTICOLO COMPLETO / COMPLETE ITEM

43027CRDA
CR43027BIDA
BI/NE/NS43027FADA
FA/OM43027ORDA
OR/CN/NM/HM/AM43027XXDA *
XX* XX: Per tutte le altre finiture fattibili riferirsi a questa fascia di prezzo. /
Refer to this line of price for all other realizable finishes.

Non disponibile in TT - BM - ON - BU / Not available TT - BM - ON - BU

RICAMBI / SPARE PARTS



43698CRPR

43025

Porta scopino da appoggio
in ABS antigraffio.Toilet brush holder to lean
with scratchproof ABS base.

ARTICOLO COMPLETO / COMPLETE ITEM

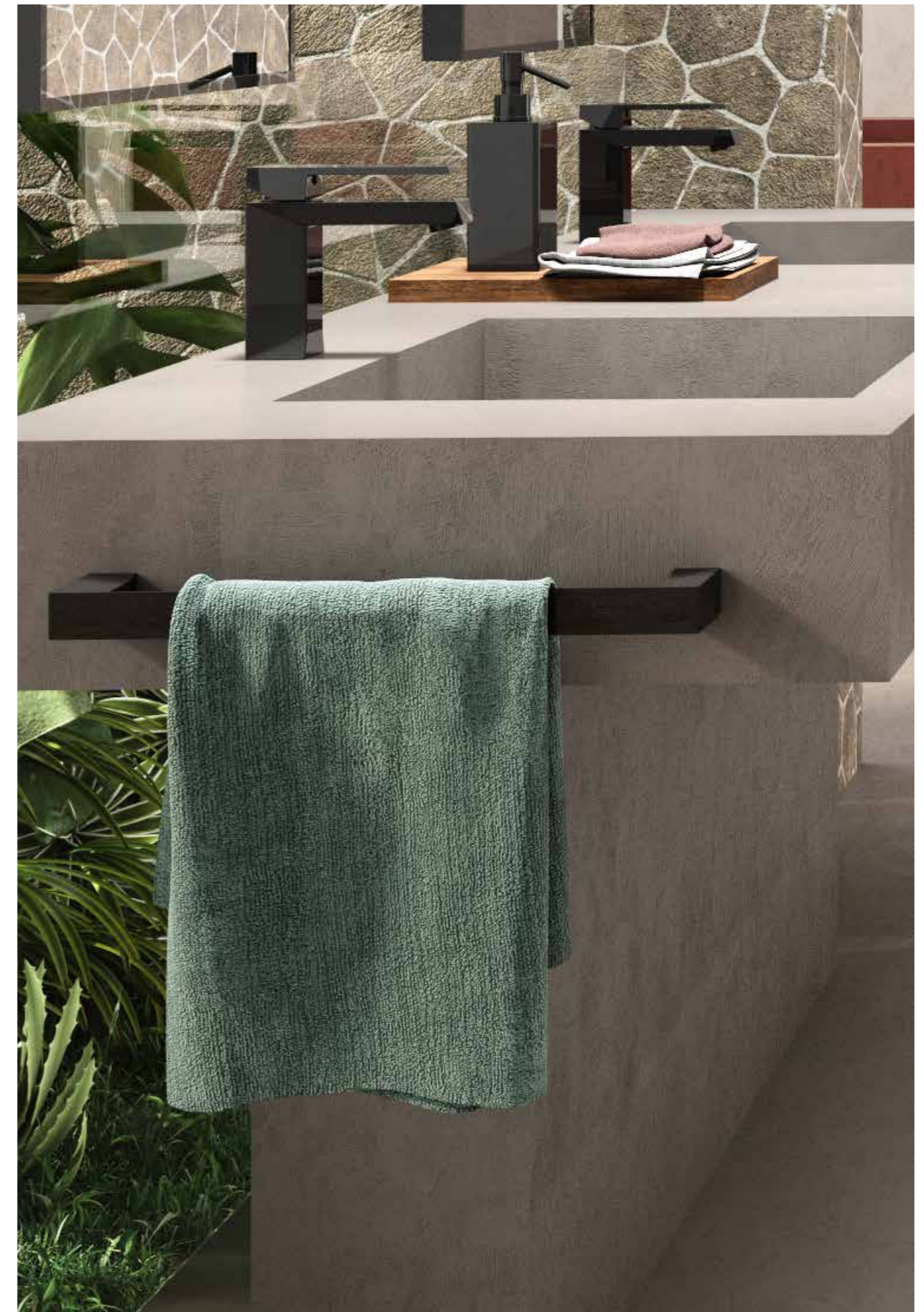
43025CRDA
CR43025NEDA
NE/NS43025ORDA
OR/CN/AM/HM/NM43025XXDA *
XX* XX: Per tutte le altre finiture fattibili riferirsi a questa fascia di prezzo. /
Refer to this line of price for all other realizable finishes.

Non disponibile in TT - BM - ON - BU / Not available TT - BM - ON - BU

RICAMBI / SPARE PARTS



43720



Art. 01007CN60

ACCESSORI E RICAMBI / ACCESSORIES AND SPARE PARTS

FINITURE E COLORI / FINISHES AND COLOURS

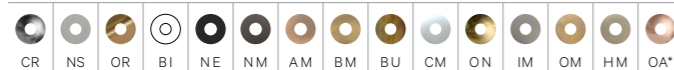
BICCHIERE
GLASSPOMPETTA DISPENSER
DISPENSER PUMPPORTA SAPONE
SOAP HOLDERVASO SCOPINETTO
BRUSHED POTSCOPINETTO
PLASTIC BRUSHED

T COLLECTION



Att. 30009CR02

FINITURE E COLORI / FINISHES AND COLOURS

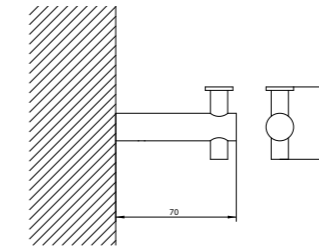


* Disponibile su richiesta / Available on demand

30001

Porta abito.

Robe hook.



ARTICOLO COMPLETO / COMPLETE ITEM

30001CR00

CR

30001BI00

BI/NE/NS/BU

30001OR00

OR

30001AM00

AM

30001XX00 *

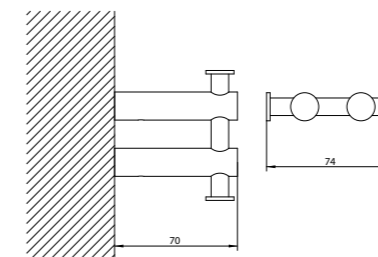
XX

* XX: Per tutte le altre finiture fattibili riferirsi a questa fascia di prezzo. / Refer to this line of price for all other realizable finishes.

30003

Porta abito doppio.

Double robe hook.



ARTICOLO COMPLETO / COMPLETE ITEM

30003CR00

CR

30003BI00

BI/NE/NS/BU

30003OR00

OR

30003AM00

AM

30003XX00 *

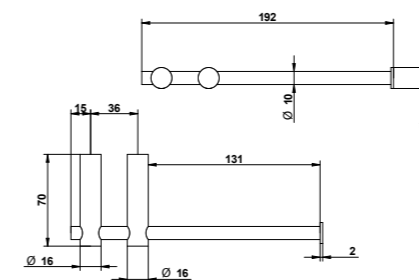
XX

* XX: Per tutte le altre finiture fattibili riferirsi a questa fascia di prezzo. / Refer to this line of price for all other realizable finishes.

30009/2

Porta rotolo.

Toilet paper holder.



ARTICOLO COMPLETO / COMPLETE ITEM

30009CR02

CR

30009BI02

BI/NE/NS/BU

30009OR02

OR

30009AM02

AM

30009XX02 *

XX

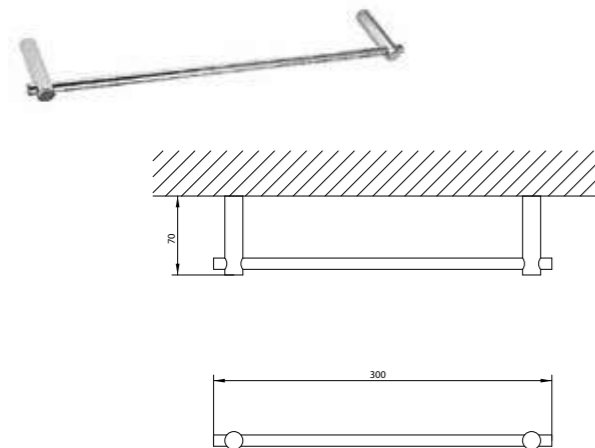
* XX: Per tutte le altre finiture fattibili riferirsi a questa fascia di prezzo. / Refer to this line of price for all other realizable finishes.

ACCESSORI E RICAMBI / ACCESSORIES AND SPARE PARTS

BICCHIERE
GLASSPOMPETTA DISPENSER
DISPENSER PUMPPORTA SAPONE
SOAP HOLDERVASO SCOPINETTO
BRUSHED POTSCOPINETTO
PLASTIC BRUSHED

30007/30

Porta asciugamano 300 mm. 30 mms. towel rail.

**ARTICOLO COMPLETO / COMPLETE ITEM****30007CR30**

CR

30007BI30

BI/NE/NS/BU

30007OR30

OR

30007AM30

AM

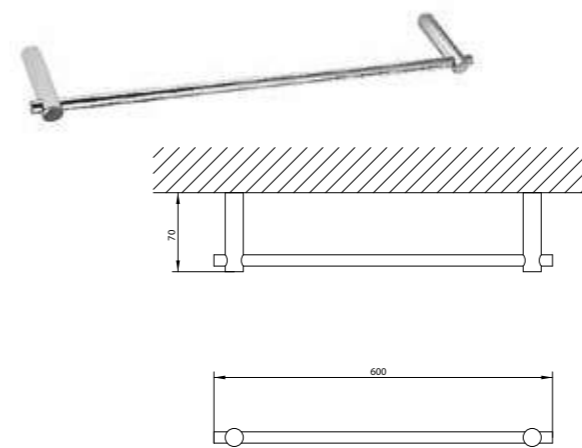
30007XX30 *

XX

* XX: Per tutte le altre finiture fattibili riferirsi a questa fascia di prezzo. / Refer to this line of price for all other realizable finishes.

30007/60

Porta asciugamano 600 mm. 600 mms. towel rail.

**ARTICOLO COMPLETO / COMPLETE ITEM****30007CR60**

CR

30007BI60

BI/NS/NE/BU

30007OR60

OR

30007AM60

AM

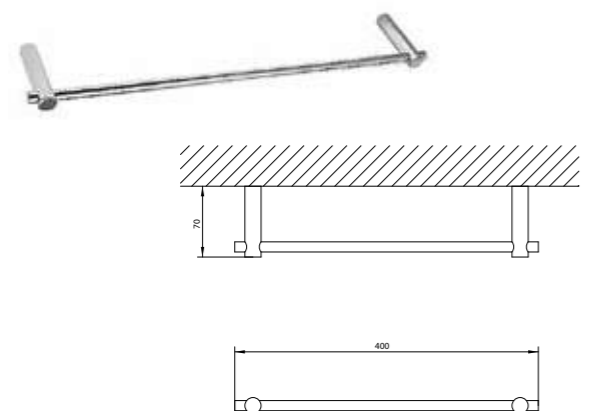
30007XX60 *

XX

* XX: Per tutte le altre finiture fattibili riferirsi a questa fascia di prezzo. / Refer to this line of price for all other realizable finishes.

30007/40

Porta asciugamano 400 mm. 400 cms. towel rail.

**ARTICOLO COMPLETO / COMPLETE ITEM****30007CR40**

CR

30007BI40

BI/NE/NS/BU

30007OR40

OR

30007AM40

AM

30007XX40 *

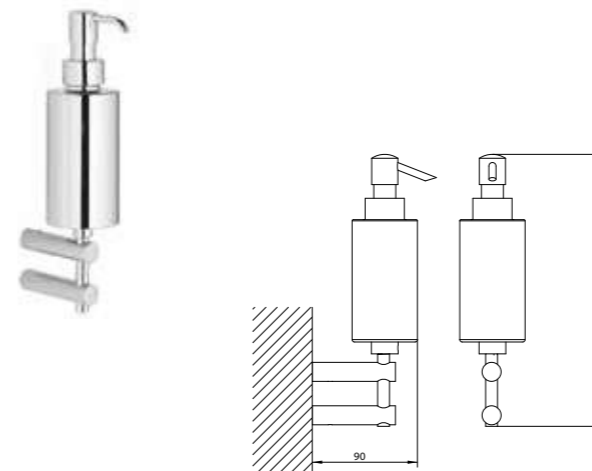
XX

* XX: Per tutte le altre finiture fattibili riferirsi a questa fascia di prezzo. / Refer to this line of price for all other realizable finishes.

30023

Dispenser a muro con doppio supporto.

Wall soap dispenser with double support.

**ARTICOLO COMPLETO / COMPLETE ITEM****30023CR00**

CR

30023BI00

BI/NE/NS/BU

30023OR00

OR

30023AM00

AM

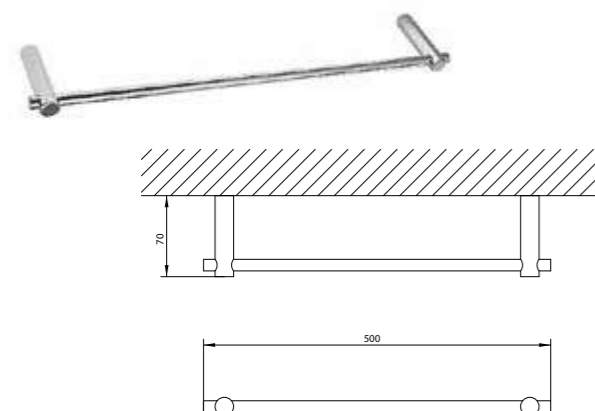
30023XX00 *

XX

* XX: Per tutte le altre finiture fattibili riferirsi a questa fascia di prezzo. / Refer to this line of price for all other realizable finishes.

RICAMBI / SPARE PARTS**30698****30007/50**

Porta asciugamano 500 mm. 500 mms. towel rail.

**ARTICOLO COMPLETO / COMPLETE ITEM****30007CR50**

CR

30007BI50

BI/NE/NS/BU

30007OR50

OR

30007AM50

AM

30007XX50 *

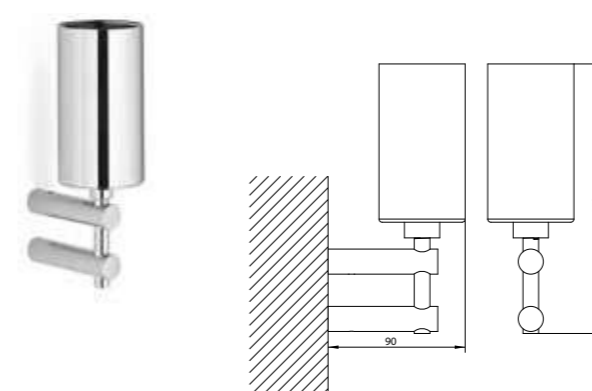
XX

* XX: Per tutte le altre finiture fattibili riferirsi a questa fascia di prezzo. / Refer to this line of price for all other realizable finishes.

30013

Bicchiere a muro con doppio supporto.

Wall glass with double support.

**ARTICOLO COMPLETO / COMPLETE ITEM****30013CR00**

CR

30013BI00

BI/NE/NS/BU

30013OR00

OR

30013AM00

AM

30013XX00 *

XX

* XX: Per tutte le altre finiture fattibili riferirsi a questa fascia di prezzo. / Refer to this line of price for all other realizable finishes.

RICAMBI / SPARE PARTS**30697****FINITURE E COLORI / FINISHES AND COLOURS**

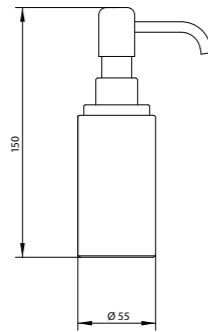
* Disponibile su richiesta / Available on demand

ACCESSORI E RICAMBI / ACCESSORIES AND SPARE PARTS**BICCHIERE**
GLASS**POMPETTA DISPENSER**
DISPENSER PUMP**PORTA SAPONE**
SOAP HOLDER**VASO SCOPINETTO**
BRUSHED POT**SCOPINETTO**
PLASTIC BRUSHED

30027

Porta dispenser appoggio.

Soap dispenser to lean.



ARTICOLO COMPLETO / COMPLETE ITEM

30027CR00
CR30027BI00
BI/NE/NS/RS/SS/SB/LI/BU/ON/
CM/IM30027OR00
OR/NM/BM/HM30027AM00
AM30027XX00 *
XX* XX: Per tutte le altre finiture fattibili riferirsi a questa fascia di prezzo. /
Refer to this line of price for all other realizable finishes.

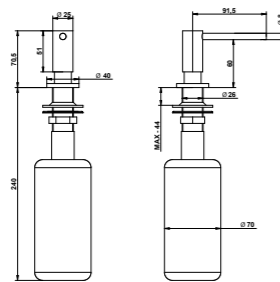
RICAMBI / SPARE PARTS

30698CR

30698/DA

Dispenser da piano.

Deck dispenser.



ARTICOLO COMPLETO / COMPLETE ITEM

30698CRDA
CR30698NSDA
NS/BI/NE/BU/ON30698ORDA
OR/NM/AM/CN30698XXDA *
XX* XX: Per tutte le altre finiture fattibili riferirsi a questa fascia di prezzo. /
Refer to this line of price for all other realizable finishes.

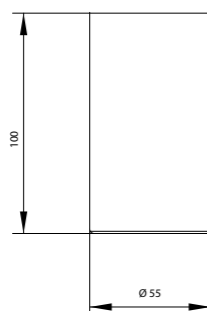
RICAMBI / SPARE PARTS

30695CR

30022

Porta bicchiere appoggio.

Glass holder to lean.



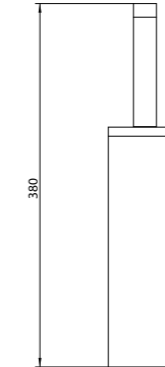
ARTICOLO COMPLETO / COMPLETE ITEM

30022CR00
CR30022NE00
NE/NS/RS/SS/SB/LI/BI/BU/ON/
CM/IM30022OR00
OR/NM/BM/HM30022AM00
AM30022XX00 *
XX* XX: Per tutte le altre finiture fattibili riferirsi a questa fascia di prezzo. /
Refer to this line of price for all other realizable finishes.

RICAMBI / SPARE PARTS

30697

30025

Porta scopino appoggio con base in
ABS antigraffio.Toilet brush holder to lean
with scratchproof ABS base.

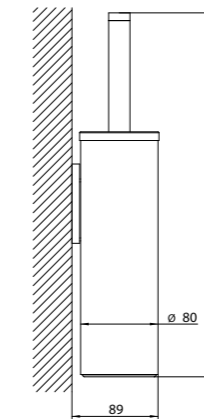
ARTICOLO COMPLETO / COMPLETE ITEM

30025CR00
CR30025BI00
BI/NE/NS/BU30025OR00
OR30025AM00
AM30025XX00 *
XX* XX: Per tutte le altre finiture fattibili riferirsi a questa fascia di prezzo. /
Refer to this line of price for all other realizable finishes.

RICAMBI / SPARE PARTS

30720

30026

Porta scopino a muro con base in
ABS antigraffio.Toilet brush holder to the wall
with scratchproof ABS base.

ARTICOLO COMPLETO / COMPLETE ITEM

30026CR00
CR30026BI00
BI/NE/NS/BU30026OR00
OR30026AM00
AM30026XX00 *
XX* XX: Per tutte le altre finiture fattibili riferirsi a questa fascia di prezzo. /
Refer to this line of price for all other realizable finishes.

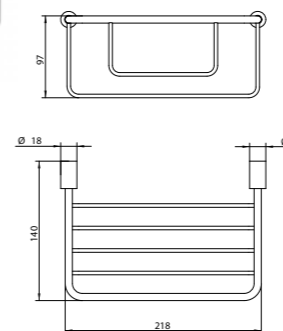
RICAMBI / SPARE PARTS

30720

30017

Cestello rettangolare.

Rectangular basket.



ARTICOLO COMPLETO / COMPLETE ITEM

30017CR00
CR30017BI00
BI/NE/NS30017OR00
OR/NM/BM/HM30017AM00
AM30017XX00 *
XX* XX: Per tutte le altre finiture fattibili riferirsi a questa fascia di prezzo. /
Refer to this line of price for all other realizable finishes.

Non disponibile in TT - BU - ON / Not available TT - BU - ON

ACCESSORI E RICAMBI / ACCESSORIES AND SPARE PARTS



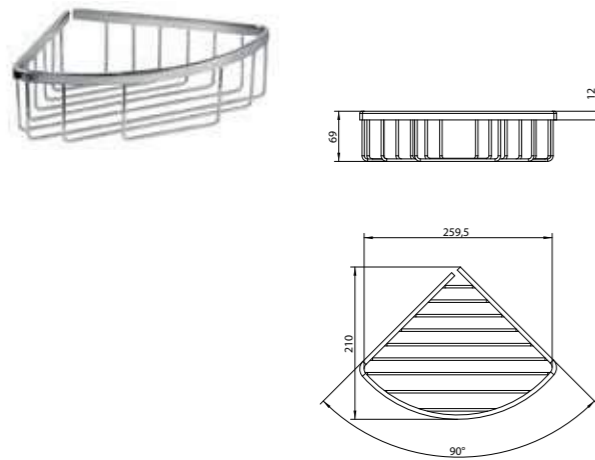
FINITURE E COLORI / FINISHES AND COLOURS



* Disponibile su richiesta / Available on demand

30011

Cestello singolo ad angolo in ottone. Brass corner basket soap holder.



ARTICOLO COMPLETO / COMPLETE ITEM

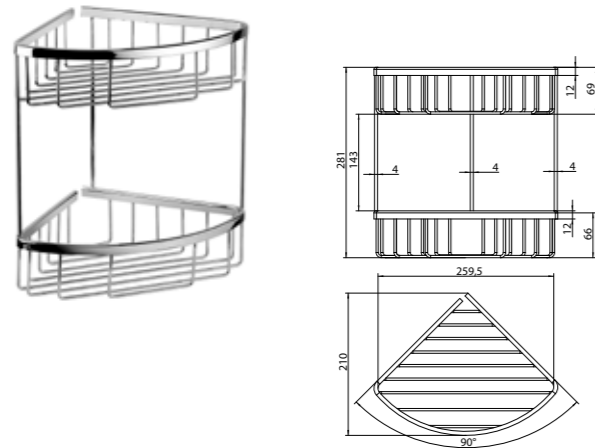
- 30011CR00**
CR
- 30011BI00**
BI/NE
- 30011OR00**
OR/NS/PL/NI/HM/NM/FA
- 30011AM00**
AM/OP/CN
- 30011XX00 ***
XX

* XX: Per tutte le altre finiture fattibili riferirsi a questa fascia di prezzo. / Refer to this line of price for all other realizable finishes.

Non disponibile in BM - TT - BU - ON - FA - IM - NM - OM - HM - CM / Not available BM - TT - BU - ON - FA - IM - NM - OM - HM - CM

30021

Cestello doppio ad angolo in ottone. Double brass corner basket soap holder.



ARTICOLO COMPLETO / COMPLETE ITEM

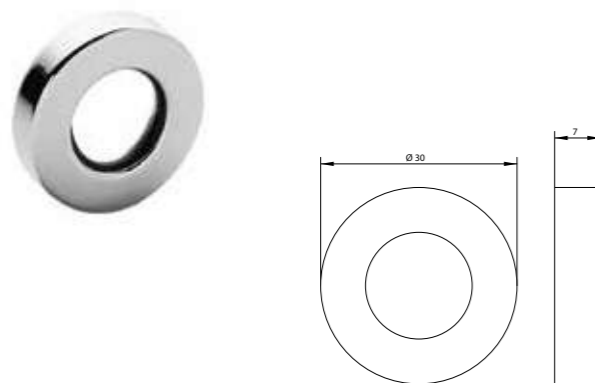
- 30021CR00**
CR
- 30021BR00**
BR/BI/NE
- 30021OR00**
OR/FA/HM/NM/NS/NI/PL
- 30021AM00**
AM/OP/CN
- 30021XX00 ***
XX

* XX: Per tutte le altre finiture fattibili riferirsi a questa fascia di prezzo. / Refer to this line of price for all other realizable finishes.

Non disponibile in BM - TT - BU - ON - IM - OM - CM / Not available BM - TT - BU - ON - IM - OM - CM

30000

Rosone Ø 30 mm. Ø 30 mms. flange.



ARTICOLO COMPLETO / COMPLETE ITEM

- 30000CR00**
CR
- 30000BI00**
BI/NE/NS
- 30000OR00**
OR
- 30000AM00**
AM
- 30000XX00 ***
XX

* XX: Per tutte le altre finiture fattibili riferirsi a questa fascia di prezzo. / Refer to this line of price for all other realizable finishes.

FINITURE E COLORI / FINISHES AND COLOURS



* Disponibile su richiesta / Available on demand



Art. 30009CR02

ACCESSORI E RICAMBI / ACCESSORIES AND SPARE PARTS



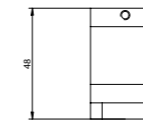
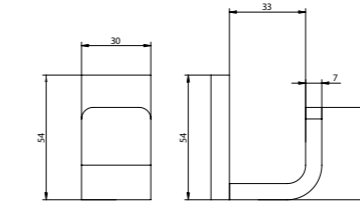
DOMINO Q
LINE

bongio

43001/DA

Porta abito.

Robe hook.



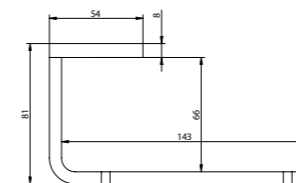
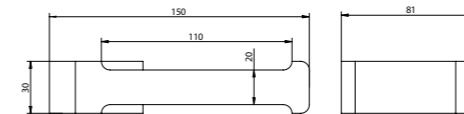
ARTICOLO COMPLETO / COMPLETE ITEM

43001CRDA
CR43001BIDA
BI/NE/NS/BU/ON43001BMDA
BM/OR/CM/FA/IM/OM/HM43001XXDA *
XX* XX: Per tutte le altre finiture fattibili riferirsi a questa fascia di prezzo. /
Refer to this line of price for all other realizable finishes.

43009/DA

Porta rotolo.

Toilet paper holder.



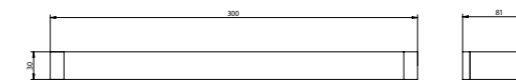
ARTICOLO COMPLETO / COMPLETE ITEM

43009CRDA
CR43009BIDA
BI/NE/NS/BU/ON43009BMDA
BM/OR/CM/FA/IM/OM/HM43009XXDA *
XX* XX: Per tutte le altre finiture fattibili riferirsi a questa fascia di prezzo. /
Refer to this line of price for all other realizable finishes.

43007/30DA

Porta asciugamano 300 mm.

300 mms. towel rail.



ARTICOLO COMPLETO / COMPLETE ITEM

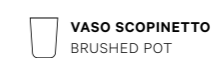
43007CR30DA
CR43007BI30DA
BI/NE/NS/BU/ON43007BM30DA
BM/OR/CM/FA/IM/OM/HM43007XX30DA *
XX* XX: Per tutte le altre finiture fattibili riferirsi a questa fascia di prezzo. /
Refer to this line of price for all other realizable finishes.

Art. 43007BR30DA

FINITURE E COLORI / FINISHES AND COLOURS

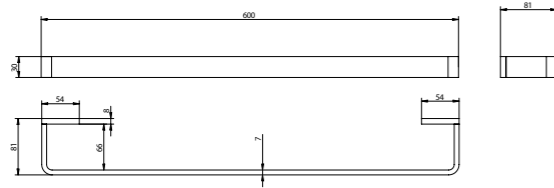


ACCESSORI E RICAMBI / ACCESSORIES AND SPARE PARTS

BICCHIERE
GLASSPOMPETTA DISPENSER
DISPENSER PUMPPORTA SAPONE
SOAP HOLDERVASO SCOPINETTO
BRUSHED POTSCOPINETTO
PLASTIC BRUSHED

43007/60DA

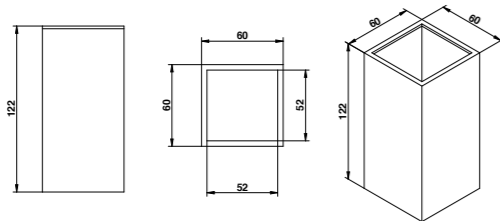
Porta asciugamano 600 mm. 600 mms. towel rail.

**ARTICOLO COMPLETO / COMPLETE ITEM****43007CR60DA**
CR**43007BI60DA**
BI/NE/NS/BU/ON**43007BM60DA**
BM/OR/CM/FA/IM**43007XX60DA ***
XX

* XX: Per tutte le altre finiture fattibili riferirsi a questa fascia di prezzo. / Refer to this line of price for all other realizable finishes.

43022/DA

Bicchiere da appoggio. Glass to lean.

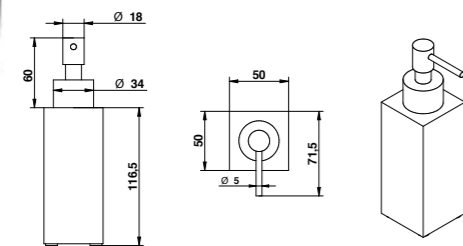
**ARTICOLO COMPLETO / COMPLETE ITEM****43022CRDA**
CR**43022BIDA**
BI/NE/NS**43022FADA**
FA/OM**43022CND**
CN/OR/NM/AM/HM**43022XXDA ***
XX

* XX: Per tutte le altre finiture fattibili riferirsi a questa fascia di prezzo. / Refer to this line of price for all other realizable finishes.

Non disponibile in TT - BM - ON - BU / Not available TT - BM - ON - BU

43027/DA

Dispenser da appoggio. Soap dispenser to lean.D

**ARTICOLO COMPLETO / COMPLETE ITEM****43027CRDA**
CR**43027BIDA**
BI/NE/NS**43027FADA**
FA/OM**43027ORDA**
OR/CN/NM/HM/AM**43027XXDA ***
XX

* XX: Per tutte le altre finiture fattibili riferirsi a questa fascia di prezzo. / Refer to this line of price for all other realizable finishes.

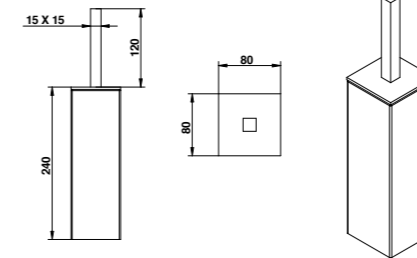
Non disponibile in TT - BM - ON - BU / Not available TT - BM - ON - BU

RICAMBI / SPARE PARTS

43698CRPR

43025/DA

Porta scopino appoggio con base in ABS antigraffio. Toilet brush holder to lean with scratchproof ABS base.

**ARTICOLO COMPLETO / COMPLETE ITEM****43025CRDA**
CR**43025BIDA**
BI/NE/NS**43025ORDA**
OR/CM/FA/IM**43025XXDA ***
XX

* XX: Per tutte le altre finiture fattibili riferirsi a questa fascia di prezzo. / Refer to this line of price for all other realizable finishes.

Non disponibile in TT - BU - ON - BM / Not available TT - BU - ON - BM

RICAMBI / SPARE PARTS

43720PR

FINITURE E COLORI / FINISHES AND COLOURS**ACCESSORI E RICAMBI / ACCESSORIES AND SPARE PARTS**

IMPERO



Art. 041010A00

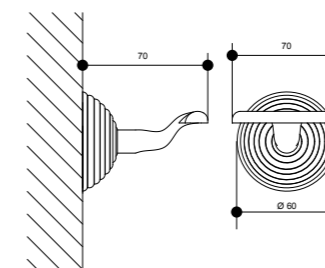
FINITURE E COLORI / FINISHES AND COLOURS



06001

Porta abito.

Robe hook.



ARTICOLO COMPLETO / COMPLETE ITEM

06001CR00
CR06001OR00
OR06001AM00
AM/OP/CN/NI06001XX00 *
XX

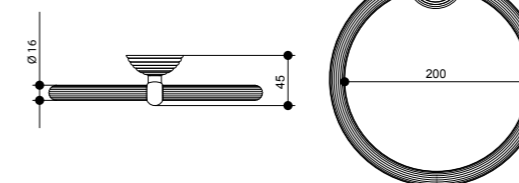
* XX: Per tutte le altre finiture fattibili riferirsi a questa fascia di prezzo. / Refer to this line of price for all other realizable finishes.

Non disponibile in BM - TT - BU - ON - FA - IM - NM - OM - HM - CM / Not available BM - TT - BU - ON - FA - IM - NM - OM - HM - CM

06004

Porta asciugamano ad anello.

Towel ring holder.



ARTICOLO COMPLETO / COMPLETE ITEM

06004CR00
CR06004OR00
OR06004AM00
AM/OP/CN/NI06004XX00 *
XX

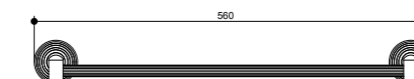
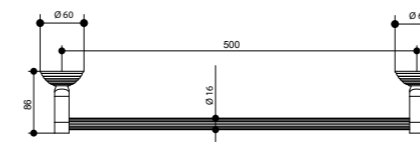
* XX: Per tutte le altre finiture fattibili riferirsi a questa fascia di prezzo. / Refer to this line of price for all other realizable finishes.

Non disponibile in BM - TT - BU - ON - FA - IM - NM - OM - HM - CM / Not available BM - TT - BU - ON - FA - IM - NM - OM - HM - CM

06007/50

Porta asciugamano 500 mm.

mms. 500 towel rail.



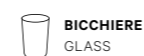
ARTICOLO COMPLETO / COMPLETE ITEM

06007CR50
CR06007OR50
OR06007AM50
AM/OP/CN/NI06007XX50 *
XX

* XX: Per tutte le altre finiture fattibili riferirsi a questa fascia di prezzo. / Refer to this line of price for all other realizable finishes.

Non disponibile in BM - TT - BU - ON - FA - IM - NM - OM - HM - CM / Not available BM - TT - BU - ON - FA - IM - NM - OM - HM - CM

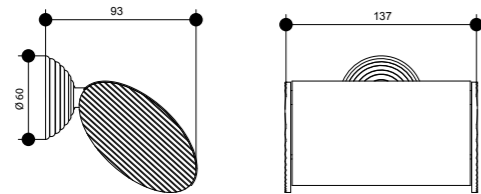
ACCESSORI E RICAMBI / ACCESSORIES AND SPARE PARTS

BICCHIERE
GLASSPOMPETTA DISPENSER
DISPENSER PUMPPORTA SAPONE
SOAP HOLDERVASO SCOPINETTO
BRUSHED POTSCOPINETTO
PLASTIC BRUSHED

06008

Porta rotolo con ribalta.

Toilet paper holder with flap.



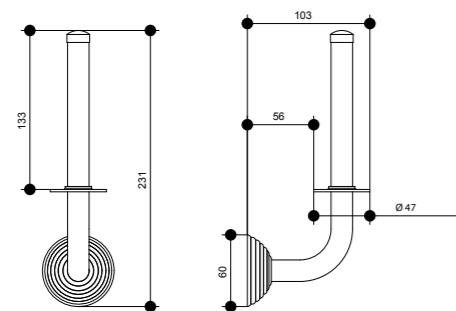
ARTICOLO COMPLETO / COMPLETE ITEM

06008CR00
CR06008OR00
OR06008AM00
AM/OP/CN/NI06008XX00 *
XX* XX: Per tutte le altre finiture fattibili riferirsi a questa fascia di prezzo. /
Refer to this line of price for all other realizable finishes.Non disponibile in BM - TT - BU - ON - FA - IM - NM - OM - HM - CM /
Not available BM - TT - BU - ON - FA - IM - NM - OM - HM - CM

06010

Porta rotolo di riserva.

Toilet paper holder with supply.



ARTICOLO COMPLETO / COMPLETE ITEM

06010CR00
CR06010OR00
OR06010AM00
AM/OP/CN/NI06010XX00 *
XX* XX: Per tutte le altre finiture fattibili riferirsi a questa fascia di prezzo. /
Refer to this line of price for all other realizable finishes.Non disponibile in BM - TT - BU - ON - FA - IM - NM - OM - HM - CM /
Not available BM - TT - BU - ON - FA - IM - NM - OM - HM - CM

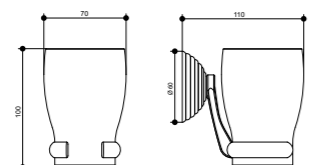
RICAMBI / SPARE PARTS

15701

06014

Porta bicchiere.

Glass holder.



ARTICOLO COMPLETO / COMPLETE ITEM

06014CR00
CR06014OR00
OR06014AM00
AM/OP/CN/NI06014XX00 *
XX* XX: Per tutte le altre finiture fattibili riferirsi a questa fascia di prezzo. /
Refer to this line of price for all other realizable finishes.Non disponibile in BM - TT - BU - ON - FA - IM - NM - OM - HM - CM /
Not available BM - TT - BU - ON - FA - IM - NM - OM - HM - CM

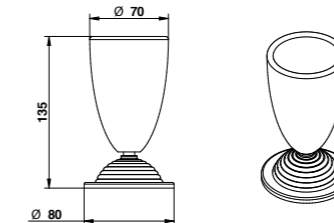
RICAMBI / SPARE PARTS

15701

06012

Porta bicchiere da appoggio.

Glass holder to lean.



ARTICOLO COMPLETO / COMPLETE ITEM

06012CR00
CR06012OR00
OR06012AM00
AM/OP/CN/NI06012XX00 *
XX* XX: Per tutte le altre finiture fattibili riferirsi a questa fascia di prezzo. /
Refer to this line of price for all other realizable finishes.Non disponibile in BM - TT - BU - ON - FA - IM - NM - OM - HM - CM /
Not available BM - TT - BU - ON - FA - IM - NM - OM - HM - CM

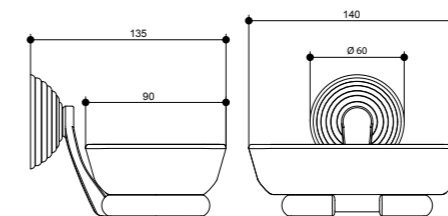
RICAMBI / SPARE PARTS

26701

06015

Porta sapone.

Soap holder.



ARTICOLO COMPLETO / COMPLETE ITEM

06015CR00
CR06015OR00
OR06015AM00
AM/OP/CN/NI06015XX00 *
XX* XX: Per tutte le altre finiture fattibili riferirsi a questa fascia di prezzo. /
Refer to this line of price for all other realizable finishes.Non disponibile in BM - TT - BU - ON - FA - IM - NM - OM - HM - CM /
Not available BM - TT - BU - ON - FA - IM - NM - OM - HM - CM

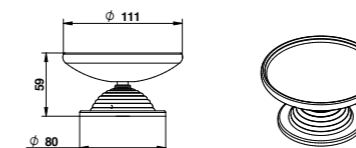
RICAMBI / SPARE PARTS

15700

06018

Porta sapone da appoggio.

Soap holder to lean.



ARTICOLO COMPLETO / COMPLETE ITEM

06018CR00
CR06018OR00
OR06018AM00
AM/OP/CN/NI06018XX00 *
XX* XX: Per tutte le altre finiture fattibili riferirsi a questa fascia di prezzo. /
Refer to this line of price for all other realizable finishes.Non disponibile in BM - TT - BU - ON - FA - IM - NM - OM - HM - CM /
Not available BM - TT - BU - ON - FA - IM - NM - OM - HM - CM

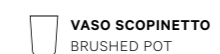
RICAMBI / SPARE PARTS

26700

FINITURE E COLORI / FINISHES AND COLOURS



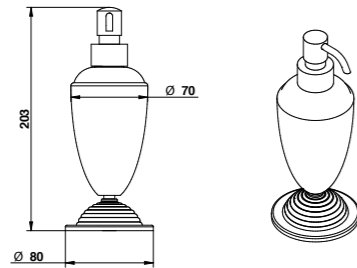
ACCESSORI E RICAMBI / ACCESSORIES AND SPARE PARTS

BICCHIERE
GLASSPOMPETTA DISPENSER
DISPENSER PUMPPORTA SAPONE
SOAP HOLDERVASO SCOPINETTO
BRUSHED POTSCOPINETTO
PLASTIC BRUSHED

06024

Porta dispenser da appoggio.

Soap dispenser to lean.



ARTICOLO COMPLETO / COMPLETE ITEM

06024CR00
CR06024OR00
OR06024AM00
AM/OP/CN/NI06024XX00 *
XX* XX: Per tutte le altre finiture fattibili riferirsi a questa fascia di prezzo. /
Refer to this line of price for all other realizable finishes.Non disponibile in BM - TT - BU - ON - FA - IM - NM - OM - HM - CM /
Not available BM - TT - BU - ON - FA - IM - NM - OM - HM - CM

RICAMBI / SPARE PARTS

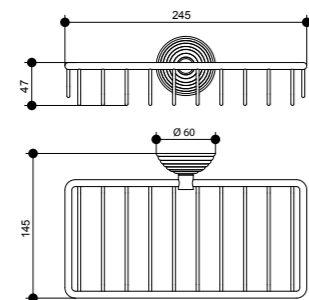


30698

06013

Cestello rettangolare.

Rectangular basket.



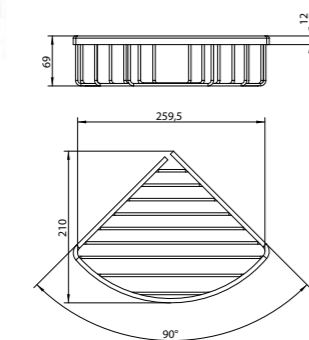
ARTICOLO COMPLETO / COMPLETE ITEM

06013CR00
CR06013OR00
OR06013AM00
AM/OP/CN/NI06013XX00 *
XX* XX: Per tutte le altre finiture fattibili riferirsi a questa fascia di prezzo. /
Refer to this line of price for all other realizable finishes.Non disponibile in BM - TT - BU - ON - FA - IM - NM - OM - HM - CM /
Not available BM - TT - BU - ON - FA - IM - NM - OM - HM - CM

30011

Cestello singolo ad angolo in ottone.

Brass corner basket soap holder.



ARTICOLO COMPLETO / COMPLETE ITEM

30011CR00
CR30011BI00
BI/NE30011OR00
OR/NS/PL/NI/HM/NM/FA30011AM00
AM/OP/CN30011XX00 *
XX* XX: Per tutte le altre finiture fattibili riferirsi a questa fascia di prezzo. /
Refer to this line of price for all other realizable finishes.Non disponibile in BM - TT - BU - ON - FA - IM - NM - OM - HM - CM /
Not available BM - TT - BU - ON - FA - IM - NM - OM - HM - CM

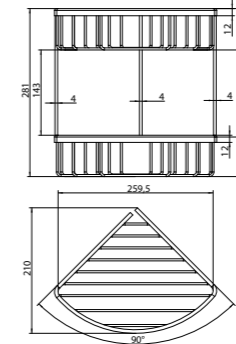
FINITURE E COLORI / FINISHES AND COLOURS



30021

Cestello doppio ad angolo in ottone.

Double brass corner basket soap holder.



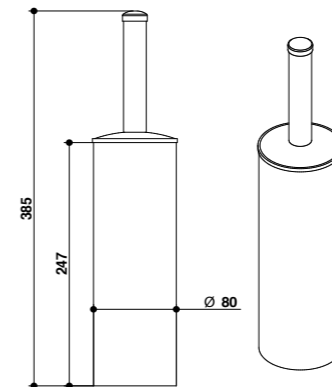
ARTICOLO COMPLETO / COMPLETE ITEM

30021CR00
CR30021BR00
BR/BI/NE30021OR00
OR/FA/HM/NM/NS/NI/PL30021AM00
AM/OP/CN30021XX00 *
XX* XX: Per tutte le altre finiture fattibili riferirsi a questa fascia di prezzo. /
Refer to this line of price for all other realizable finishes.Non disponibile in BM - TT - BU - ON - IM - OM - CM / Not available BM -
TT - BU - ON - IM - OM - CM

21025

Porta scopino da appoggio con base in ABS antigraffio.

Toilet brush holder to lean with scratchproof ABS base.



ARTICOLO COMPLETO / COMPLETE ITEM

21025CR00
CR21025CQ00
CO21025BI00
BI/NE21025RS00
RS/SS/SB/LI/BU/ON21025OR00
OR/FA/NS/NI/PL/NM/BM/HM21025AM00
AM/OP/CN21025XX00 *
XX* XX: Per tutte le altre finiture fattibili riferirsi a questa fascia di prezzo. /
Refer to this line of price for all other realizable finishes.

RICAMBI / SPARE PARTS

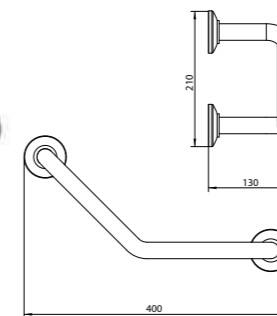


30720

04104

Maniglione per vasca.

Grab-bar for bath tub without soap holder.



ARTICOLO COMPLETO / COMPLETE ITEM

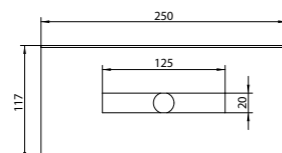
04104CR00
CR04104OR00
OR/NS/NI/PL04104OP00
OP/AM/CN04104XX00 *
XX* XX: Per tutte le altre finiture fattibili riferirsi a questa fascia di prezzo. /
Refer to this line of price for all other realizable finishes.Non disponibile in BM - TT - BU - ON - FA - IM - NM - OM - HM - CM /
Not available BM - TT - BU - ON - FA - IM - NM - OM - HM - CM

ACCESSORI E RICAMBI / ACCESSORIES AND SPARE PARTS

BICCHIERE
GLASSPOMPETTA DISPENSER
DISPENSER PUMPPORTA SAPONE
SOAP HOLDERVASO SCOPINETTO
BRUSHED POTSCOPINETTO
PLASTIC BRUSHED

04103

Contenitore porta fazzoletti muro/
appoggio in acciaio. Wall kleenex dispenser.

**ARTICOLO COMPLETO / COMPLETE ITEM**

04103CR00
CR

04103OR00
OR/NS/NI/PL/HM/NM

04103AM00
AM/OP/CN

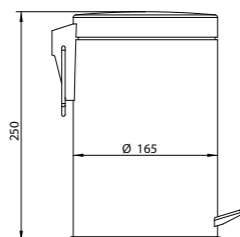
04103XX00 *
XX

* XX: Per tutte le altre finiture fattibili riferirsi a questa fascia di prezzo.
Refer to this line of price for all other realizable finishes.

Non disponibile in BM - TT - BU - ON - FA - IM - NM - OM - HM - CM /
Not available BM - TT - BU - ON - FA - IM - NM - OM - HM - CM

04102

Porta rifiuti coperchio, a pedale 3 lt. 3 lt. Trash bin.

**ARTICOLO COMPLETO / COMPLETE ITEM**

04102CR00
CR

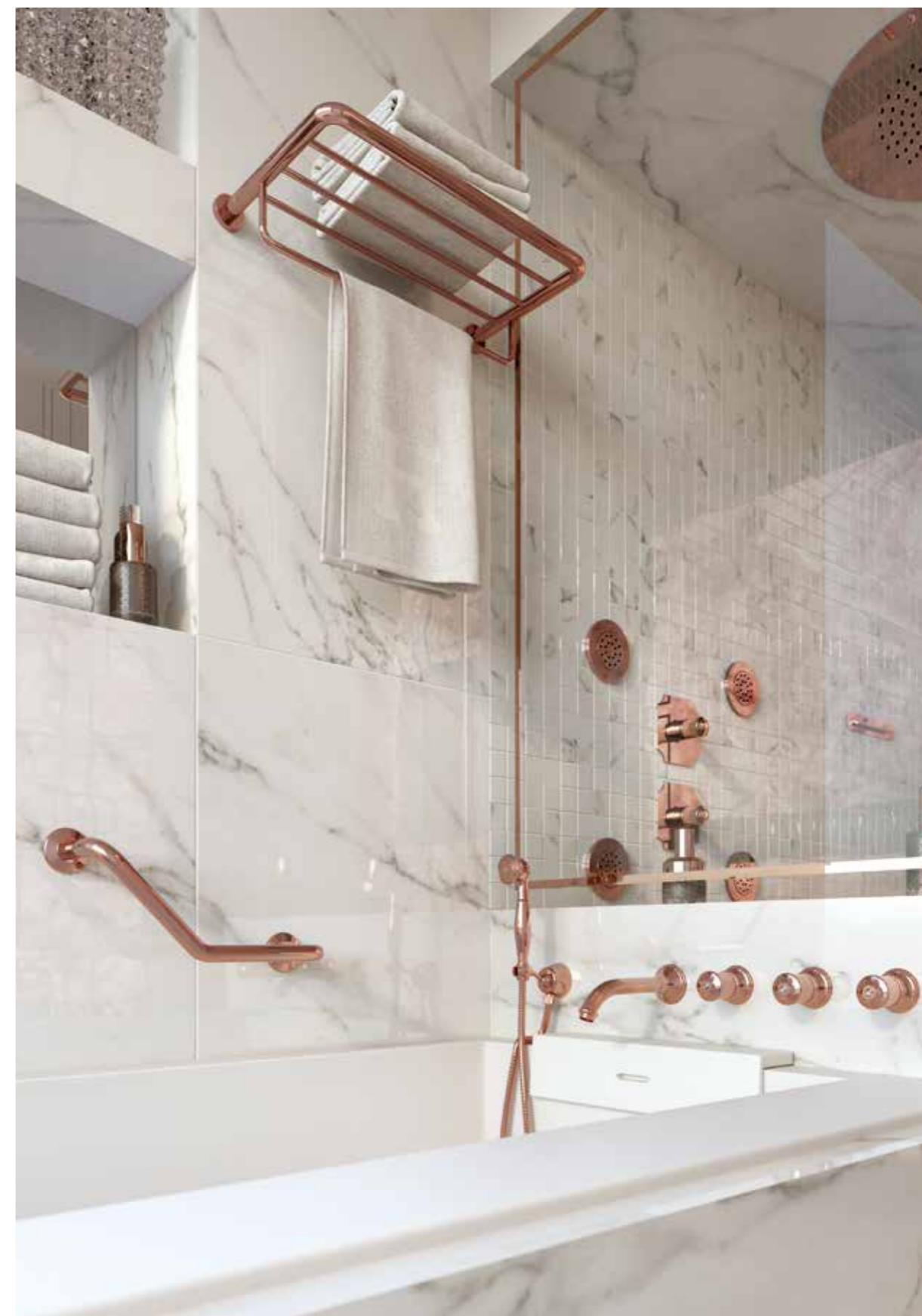
04102OR00
OR/NS/NI/PL/HM/NM

04102AM00
AM/OP/CN

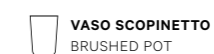
04102XX00 *
XX

* XX: Per tutte le altre finiture fattibili riferirsi a questa fascia di prezzo.
Refer to this line of price for all other realizable finishes.

Non disponibile in BM - TT - BU - ON - FA - IM - NM - OM - HM - CM /
Not available BM - TT - BU - ON - FA - IM - NM - OM - HM - CM



Art. 041010A00 + Art. 04104AM00

FINITURE E COLORI / FINISHES AND COLOURS**ACCESSORI E RICAMBI / ACCESSORIES AND SPARE PARTS**

FLEUR

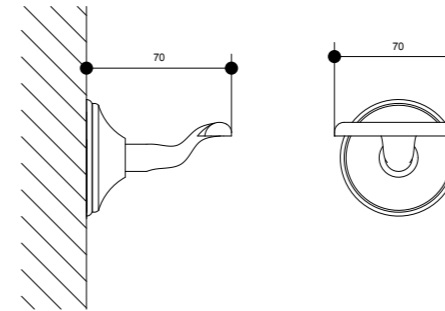


Art. 11012 - Art. 11018

11001

Porta abito.

Robe hook.



ARTICOLO COMPLETO / COMPLETE ITEM

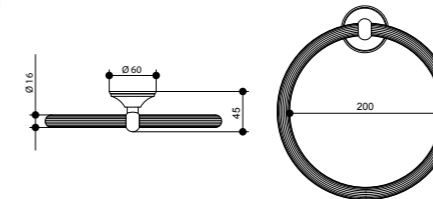
11001CR00
CR11001OR00
OR/NS/PL/NI11001OP00
OP

Non disponibile in altre finiture. / Not available in other finishes.

11004

Porta asciugamano ad anello.

Towel ring holder.



ARTICOLO COMPLETO / COMPLETE ITEM

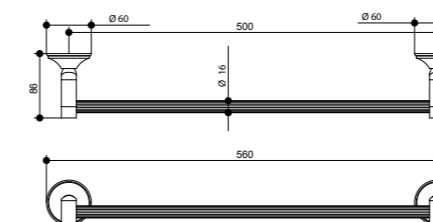
11004CR00
CR11004OR00
OR/NS/PL/NI11004OP00
OP

Non disponibile in altre finiture. / Not available in other finishes.

11007/50

Porta asciugamano 500 mm.

mms. 500 towel rail.



ARTICOLO COMPLETO / COMPLETE ITEM

11007CR50
CR11007OR50
OR/NS/PL/NI11007OP50
OP

Non disponibile in altre finiture. / Not available in other finishes.

ACCESSORI E RICAMBI / ACCESSORIES AND SPARE PARTS

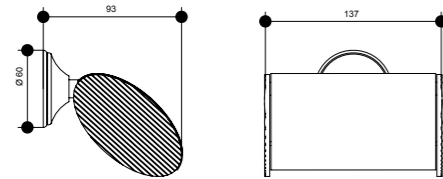
FINITURE E COLORI / FINISHES AND COLOURS

BICCHIERE
GLASSPOMPETTA DISPENSER
DISPENSER PUMPPORTA SAPONE
SOAP HOLDERVASO SCOPINETTO
BRUSHED POTSCOPINETTO
PLASTIC BRUSHED

11008

Porta rotolo con ribalta.

Toilet paper holder with flap.



ARTICOLO COMPLETO / COMPLETE ITEM

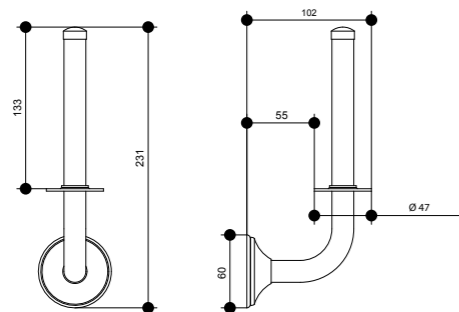
11008CR00
CR11008OR00
OR/NS/PL/NI11008OP00
OP

Non disponibile in altre finiture. / Not available in other finishes.

11010

Porta rotolo di riserva

Toilet paper holder with supply.



ARTICOLO COMPLETO / COMPLETE ITEM

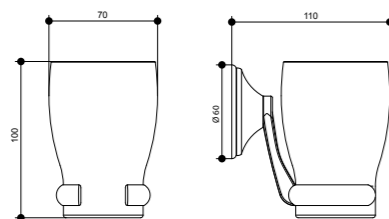
11010CR00
CR11010OR00
OR/NS/PL/NI11010OP00
OP

Non disponibile in altre finiture. / Not available in other finishes.

11014

Porta bicchiere.

Glass holder.



ARTICOLO COMPLETO / COMPLETE ITEM

11014CR00
CR11014OR00
OR/NS/PL/NI11014OP00
OP

Non disponibile in altre finiture. / Not available in other finishes.

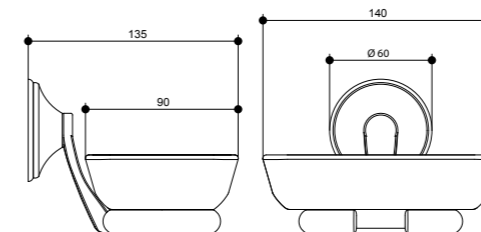
RICAMBI / SPARE PARTS

15701

11015

Porta sapone.

Soap holder.



ARTICOLO COMPLETO / COMPLETE ITEM

11015CR00
CR11015OR00
OR/NS/PL/NI11015OP00
OP

Non disponibile in altre finiture. / Not available in other finishes.

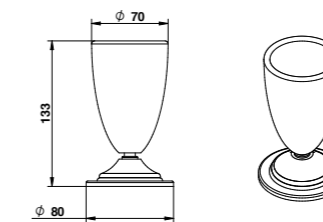
RICAMBI / SPARE PARTS

15700

11012

Porta bicchiere da appoggio.

Glass holder to lean.



ARTICOLO COMPLETO / COMPLETE ITEM

11012CR00
CR11012OR00
OR/NS/PL/NI11012OP00
OP

Non disponibile in altre finiture. / Not available in other finishes.

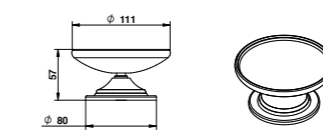
RICAMBI / SPARE PARTS

26701

11018

Porta sapone da appoggio.

Soap holder to lean.



ARTICOLO COMPLETO / COMPLETE ITEM

11018CR00
CR11018OR00
OR/NS/PL/NI11018OP00
OP

Non disponibile in altre finiture. / Not available in other finishes.

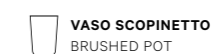
RICAMBI / SPARE PARTS

26700

FINITURE E COLORI / FINISHES AND COLOURS



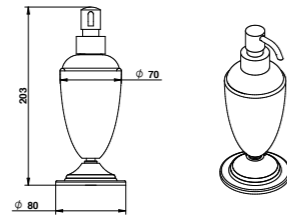
ACCESSORI E RICAMBI / ACCESSORIES AND SPARE PARTS



11024

Porta dispenser da appoggio.

Soap dispenser to lean.



ARTICOLO COMPLETO / COMPLETE ITEM

11024CR00
CR11024OR00
OR/NS/PL/NI11024OP00
OP

Non disponibile in altre finiture. / Not available in other finishes.

RICAMBI / SPARE PARTS

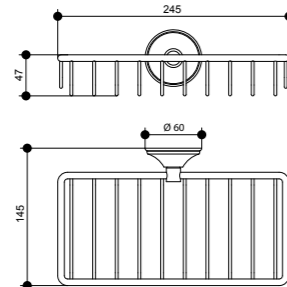


30698CR

11013

Cestello rettangolare.

Rectangular basket.



ARTICOLO COMPLETO / COMPLETE ITEM

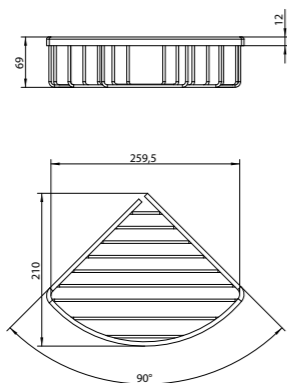
11013CR00
CR11013OR00
OR/NS/PL/NI11013OP00
OP

Non disponibile in altre finiture. / Not available in other finishes.

30011

Cestello singolo ad angolo in ottone.

Brass corner basket soap holder.



ARTICOLO COMPLETO / COMPLETE ITEM

30011CR00
CR30011BI00
BI/NE30011OR00
OR/NS/PL/NI/HM/NM/FA30011AM00
AM/OP/CN30011XX00 *
XX

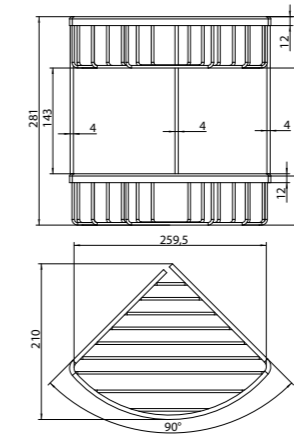
* XX: Per tutte le altre finiture fattibili riferirsi a questa fascia di prezzo. / Refer to this line of price for all other realizable finishes.

Non disponibile in BM - TT - BU - ON - FA - IM - NM - OM - HM - CM / Not available BM - TT - BU - ON - FA - IM - NM - OM - HM - CM

30021

Cestello doppio ad angolo in ottone.

Double brass corner basket soap holder.



ARTICOLO COMPLETO / COMPLETE ITEM

30021CR00
CR30021BR00
BR/BI/NE30021OR00
OR/FA/HM/NM/NS/NI/PL30021AM00
AM/OP/CN30021XX00 *
XX

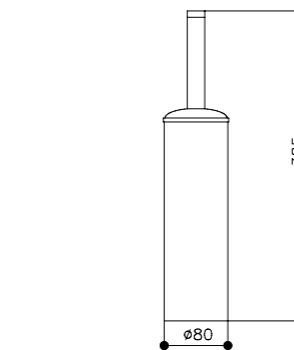
* XX: Per tutte le altre finiture fattibili riferirsi a questa fascia di prezzo. / Refer to this line of price for all other realizable finishes.

Non disponibile in BM - TT - BU - ON - IM - OM - CM / Not available BM - TT - BU - ON - IM - OM - CM

21025

Porta scopino da appoggio con base in ABS antigraffio.

Toilet brush holder to lean with scratchproof ABS base.



ARTICOLO COMPLETO / COMPLETE ITEM

21025CR00
CR21025CO00
CO21025BI00
BI/NE21025RS00
RS/SS/SB/LI/BU/ON21025OR00
OR/FA/NS/NI/PL/NM/BM/HM21025AM00
AM/OP/CN21025XX00 *
XX

* XX: Per tutte le altre finiture fattibili riferirsi a questa fascia di prezzo. / Refer to this line of price for all other realizable finishes.

RICAMBI / SPARE PARTS

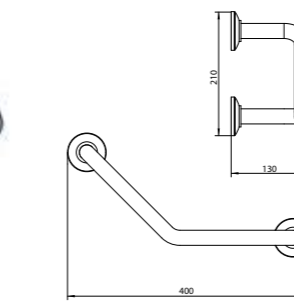


30720

04104

Maniglione per vasca.

Grab-bar for bath tub without soap holder.



ARTICOLO COMPLETO / COMPLETE ITEM

04104CR00
CR04104OR00
OR/NS/NI/PL04104OP00
OP/AM/CN04104XX00 *
XX

* XX: Per tutte le altre finiture fattibili riferirsi a questa fascia di prezzo. / Refer to this line of price for all other realizable finishes.

Non disponibile in BM - TT - BU - ON - FA - IM - NM - OM - HM - CM / Not available BM - TT - BU - ON - FA - IM - NM - OM - HM - CM

FINITURE E COLORI / FINISHES AND COLOURS

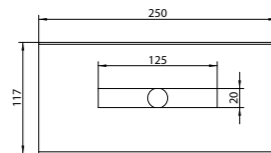


ACCESSORI E RICAMBI / ACCESSORIES AND SPARE PARTS

BICCHIERE
GLASSPOMPETTA DISPENSER
DISPENSER PUMPPORTA SAPONE
SOAP HOLDERVASO SCOPINETTO
BRUSHED POTSCOPINETTO
PLASTIC BRUSHED

04103

Contenitore porta fazzoletti muro/
appoggio in acciaio. Wall kleenex dispenser.

**ARTICOLO COMPLETO / COMPLETE ITEM**

04103CR00
CR

04103OR00
OR/NS/NI/PL/HM/NM

04103AM00
AM/OP/CN

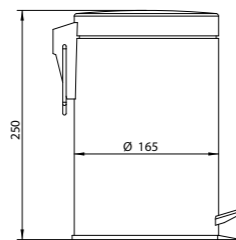
04103XX00 *
XX

* XX: Per tutte le altre finiture fattibili riferirsi a questa fascia di prezzo. /
Refer to this line of price for all other realizable finishes.

Non disponibile in BM - TT - BU - ON - FA - IM - NM - OM - HM - CM /
Not available BM - TT - BU - ON - FA - IM - NM - OM - HM - CM

04102

Porta rifiuti coperchio, a pedale 3 lt. 3 lt. Trash bin.

**ARTICOLO COMPLETO / COMPLETE ITEM**

04102CR00
CR

04102OR00
OR/NS/NI/PL/HM/NM

04102AM00
AM/OP/CN

04102XX00 *
XX

* XX: Per tutte le altre finiture fattibili riferirsi a questa fascia di prezzo. /
Refer to this line of price for all other realizable finishes.

Non disponibile in BM - TT - BU - ON - FA - IM - NM - OM - HM - CM /
Not available BM - TT - BU - ON - FA - IM - NM - OM - HM - CM



Art. 11012 - Art. 11018

FINITURE E COLORI / FINISHES AND COLOURS**ACCESSORI E RICAMBI / ACCESSORIES AND SPARE PARTS**

BICCHIERE
GLASS



POMPETTA DISPENSER
DISPENSER PUMP



PORTA SAPONE
SOAP HOLDER



VASO SCOPINETTO
BRUSHED POT



SCOPINETTO
PLASTIC BRUSHED

RADIANT

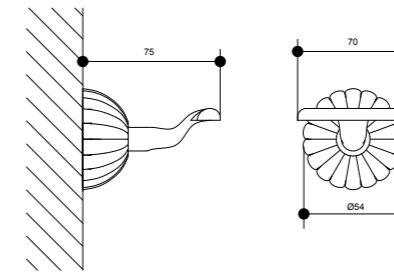


Art. 02004C000

02001

Porta abito.

Robe hook.



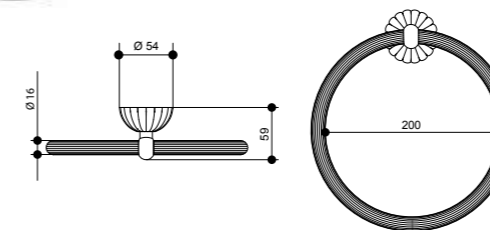
ARTICOLO COMPLETO / COMPLETE ITEM

02001CR00
CR02001CO00
CO02001OR00
OR/PL/NS/NI02001XX00*
XX* XX: Per tutte le altre finiture fattibili riferirsi a questa fascia di prezzo. /
Refer to this line of price for all other realizable finishes.Non disponibile in TT - BU - ON - FA - IM - NM - OM - HM - CM - AM /
Not available TT - BU - ON - FA - IM - NM - OM - HM - CM - AM

02004

Porta asciugamano ad anello.

Towel ring holder.



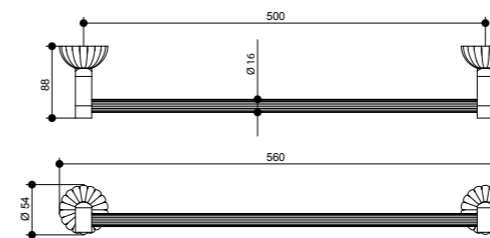
ARTICOLO COMPLETO / COMPLETE ITEM

02004CR00
CR02004CO00
CO02004OR00
OR/PL/NS/NI02004XX00*
XX* XX: Per tutte le altre finiture fattibili riferirsi a questa fascia di prezzo. /
Refer to this line of price for all other realizable finishes.Non disponibile in TT - BU - ON - FA - IM - NM - OM - HM - CM - AM /
Not available TT - BU - ON - FA - IM - NM - OM - HM - CM - AM

02007/50

Porta asciugamano 500 mm.

mms. 500 towel rail.



ARTICOLO COMPLETO / COMPLETE ITEM

02007CR50
CR02007CO50
CO02007OR50
OR/PL/NS/NI02007XX50*
XX* XX: Per tutte le altre finiture fattibili riferirsi a questa fascia di prezzo. /
Refer to this line of price for all other realizable finishes.Non disponibile in TT - BU - ON - FA - IM - NM - OM - HM - CM - AM /
Not available TT - BU - ON - FA - IM - NM - OM - HM - CM - AM

FINITURE E COLORI / FINISHES AND COLOURS



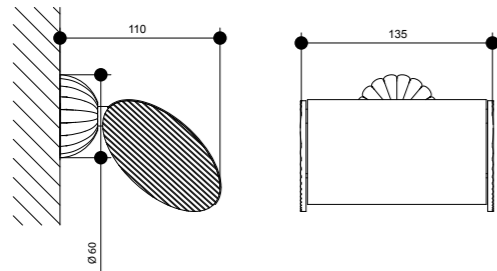
* Disponibile su richiesta / Available on demand

ACCESSORI E RICAMBI / ACCESSORIES AND SPARE PARTS

BICCHIERE
GLASSPOMPETTA DISPENSER
DISPENSER PUMPPORTA SAPONE
SOAP HOLDERVASO SCOPINETTO
BRUSHED POTSCOPINETTO
PLASTIC BRUSHED

02008

Porta rotolo con ribalta. Toilet paper holder with flap.



ARTICOLO COMPLETO / COMPLETE ITEM

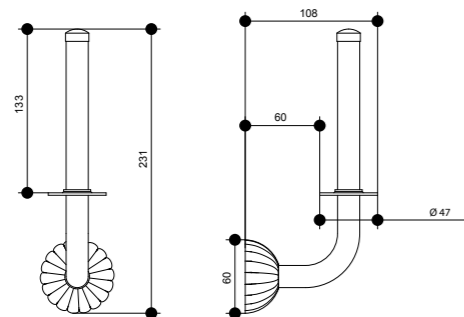
02008CR00
CR02008CO00
CO02008OR00
OR/PL/NS/NI02008XX00 *
XX

* XX: Per tutte le altre finiture fattibili riferirsi a questa fascia di prezzo. / Refer to this line of price for all other realizable finishes.

Non disponibile in TT - BU - ON - FA - IM - NM - OM - HM - CM - AM / Not available TT - BU - ON - FA - IM - NM - OM - HM - CM - AM

02009

Porta rotolo di riserva. Toilet paper holder with supply.



ARTICOLO COMPLETO / COMPLETE ITEM

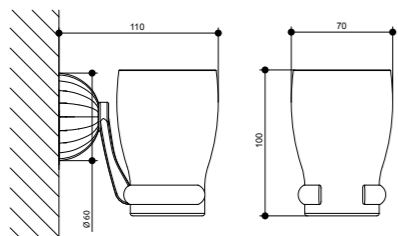
02009CR00
CR02009CO00
CO02009OR00
OR/PL/NS/NI02009XX00 *
XX

* XX: Per tutte le altre finiture fattibili riferirsi a questa fascia di prezzo. / Refer to this line of price for all other realizable finishes.

Non disponibile in TT - BU - ON - FA - IM - NM - OM - HM - CM - AM / Not available TT - BU - ON - FA - IM - NM - OM - HM - CM - AM

02014

Porta bicchiere. Glass holder



ARTICOLO COMPLETO / COMPLETE ITEM

02014CR00
CR02014CO00
CO02014OR00
OR/PL/NS/NI02014XX00 *
XX

* XX: Per tutte le altre finiture fattibili riferirsi a questa fascia di prezzo. / Refer to this line of price for all other realizable finishes.

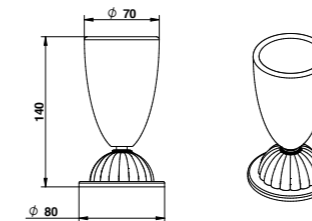
Non disponibile in TT - BU - ON - FA - IM - NM - OM - HM - CM - AM / Not available TT - BU - ON - FA - IM - NM - OM - HM - CM - AM

RICAMBI / SPARE PARTS

15701

02012

Porta bicchiere da appoggio. Glass holder to lean.



ARTICOLO COMPLETO / COMPLETE ITEM

02012CR00
CR02012CO00
CO02012OR00
OR/PL/NS/NI02012XX00 *
XX

* XX: Per tutte le altre finiture fattibili riferirsi a questa fascia di prezzo. / Refer to this line of price for all other realizable finishes.

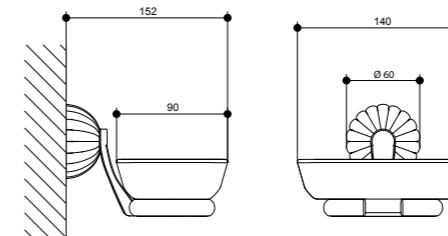
Non disponibile in TT - BU - ON - FA - IM - NM - OM - HM - CM - AM / Not available TT - BU - ON - FA - IM - NM - OM - HM - CM - AM

RICAMBI / SPARE PARTS

26701

02015

Porta sapone. Soap holder.



ARTICOLO COMPLETO / COMPLETE ITEM

02015CR00
CR02015CO00
CO02015OR00
OR/PL/NS/NI02015XX00 *
XX

* XX: Per tutte le altre finiture fattibili riferirsi a questa fascia di prezzo. / Refer to this line of price for all other realizable finishes.

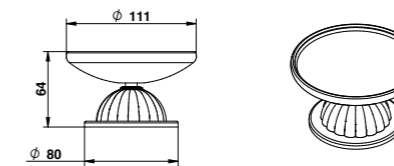
Non disponibile in TT - BU - ON - FA - IM - NM - OM - HM - CM - AM / Not available TT - BU - ON - FA - IM - NM - OM - HM - CM - AM

RICAMBI / SPARE PARTS

15700

02018

Porta sapone da appoggio. Soap holder to lean.



ARTICOLO COMPLETO / COMPLETE ITEM

02018CR00
CR02018CO00
CO02018OR00
OR/PL/NS/NI02018XX00 *
XX

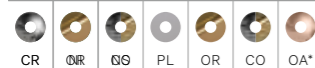
* XX: Per tutte le altre finiture fattibili riferirsi a questa fascia di prezzo. / Refer to this line of price for all other realizable finishes.

Non disponibile in TT - BU - ON - FA - IM - NM - OM - HM - CM - AM / Not available TT - BU - ON - FA - IM - NM - OM - HM - CM - AM

RICAMBI / SPARE PARTS

26700

FINITURE E COLORI / FINISHES AND COLOURS



* Disponibile su richiesta / Available on demand

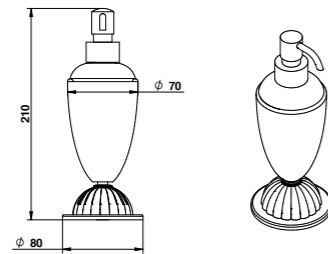
ACCESSORI E RICAMBI / ACCESSORIES AND SPARE PARTS



02024

Porta dispenser da appoggio.

Soap dispenser to lean.



ARTICOLO COMPLETO / COMPLETE ITEM

02024CR00
CR02024CO00
CO02024OR00
OR/PL/NS/NI02024XX00 *
XX

* XX: Per tutte le altre finiture fattibili riferirsi a questa fascia di prezzo. / Refer to this line of price for all other realizable finishes.

Non disponibile in TT - BU - ON - FA - IM - NM - OM - HM - CM - AM / Not available TT - BU - ON - FA - IM - NM - OM - HM - CM - AM

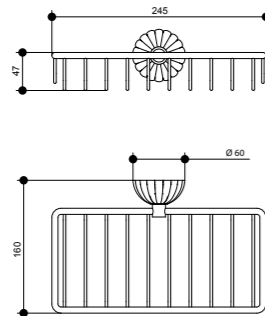
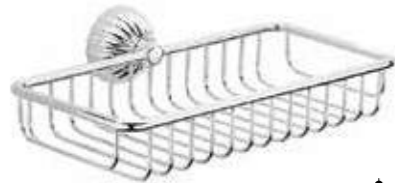
RICAMBI / SPARE PARTS

30698

02013

Cestello rettangolare.

Rectangular basket.



ARTICOLO COMPLETO / COMPLETE ITEM

02013CR00
CR02013CO00
CO02013OR00
OR/PL/NS/NI02013XX00 *
XX

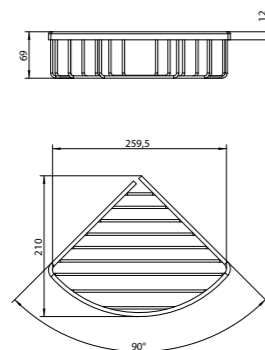
* XX: Per tutte le altre finiture fattibili riferirsi a questa fascia di prezzo. / Refer to this line of price for all other realizable finishes.

Non disponibile in TT - BU - ON - FA - IM - NM - OM - HM - CM - AM - BM / Not available TT - BU - ON - FA - IM - NM - OM - HM - CM - AM - BM

30011

Cestello singolo ad angolo in ottone.

Brass corner basket soap holder.



ARTICOLO COMPLETO / COMPLETE ITEM

30011CR00
CR30011BI00
BI/NE30011OR00
OR/NS/PL/NI/HM/NM/FA30011AM00
AM/OP/CN30011XX00 *
XX

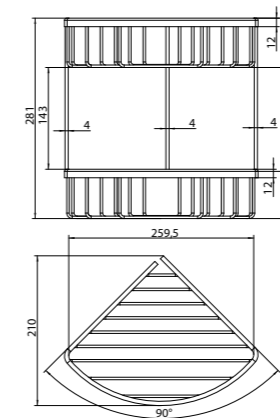
* XX: Per tutte le altre finiture fattibili riferirsi a questa fascia di prezzo. / Refer to this line of price for all other realizable finishes.

Non disponibile in BM - TT - BU - ON - FA - IM - NM - OM - HM - CM / Not available BM - TT - BU - ON - FA - IM - NM - OM - HM - CM

30021

Cestello doppio ad angolo in ottone.

Double brass corner basket soap holder.



ARTICOLO COMPLETO / COMPLETE ITEM

30021CR00
CR30021BR00
BR/BI/NE30021OR00
OR/FA/HM/NM/NS/NI/PL30021AM00
AM/OP/CN30021XX00 *
XX

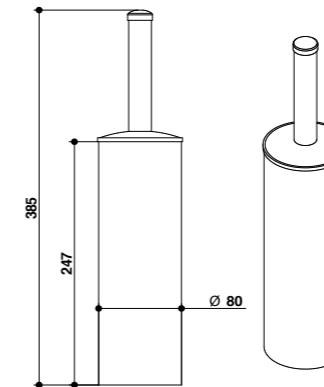
* XX: Per tutte le altre finiture fattibili riferirsi a questa fascia di prezzo. / Refer to this line of price for all other realizable finishes.

Non disponibile in BM - TT - BU - ON - IM - OM - CM / Not available BM - TT - BU - ON - IM - OM - CM

21025

Porta scopino da appoggio con base in ABS antigraffio.

Toilet brush holder to lean with scratchproof ABS base.



ARTICOLO COMPLETO / COMPLETE ITEM

21025CR00
CR21025CO00
CO21025BI00
BI/NE21025RS00
RS/SS/SB/LI/BU/ON21025OR00
OR/FA/NS/NI/PL/NM/BM/HM21025AM00
AM/OP/CN21025XX00 *
XX

* XX: Per tutte le altre finiture fattibili riferirsi a questa fascia di prezzo. / Refer to this line of price for all other realizable finishes.

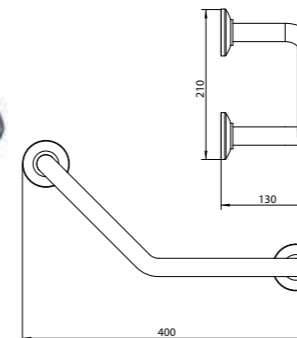
RICAMBI / SPARE PARTS

30720

04104

Maniglione per vasca.

Grab-bar for bath tub without soap holder.



ARTICOLO COMPLETO / COMPLETE ITEM

04104CR00
CR04104OR00
OR/NS/NI/PL04104OP00
OP/AM/CN04104XX00 *
XX

* XX: Per tutte le altre finiture fattibili riferirsi a questa fascia di prezzo. / Refer to this line of price for all other realizable finishes.

Non disponibile in BM - TT - BU - ON - FA - IM - NM - OM - HM - CM / Not available BM - TT - BU - ON - FA - IM - NM - OM - HM - CM

FINITURE E COLORI / FINISHES AND COLOURS



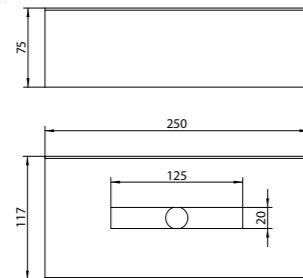
* Disponibile su richiesta / Available on demand

ACCESSORI E RICAMBI / ACCESSORIES AND SPARE PARTS



04103

Contenitore porta fazzoletti muro/
appoggio in acciaio. Wall kleenex dispenser.

**ARTICOLO COMPLETO / COMPLETE ITEM**

04103CR00
CR

04103OR00
OR/NS/NI/PL/HM/NM

04103AM00
AM/OP/CN

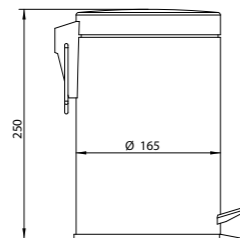
04103XX00 *
XX

* XX: Per tutte le altre finiture fattibili riferirsi a questa fascia di prezzo. /
Refer to this line of price for all other realizable finishes.

Non disponibile in BM - TT - BU - ON - FA - IM - NM - OM - HM - CM /
Not available BM - TT - BU - ON - FA - IM - NM - OM - HM - CM

04102

Porta rifiuti coperchio, a pedale 3 lt. 3 lt. Trash bin.

**ARTICOLO COMPLETO / COMPLETE ITEM**

04102CR00
CR

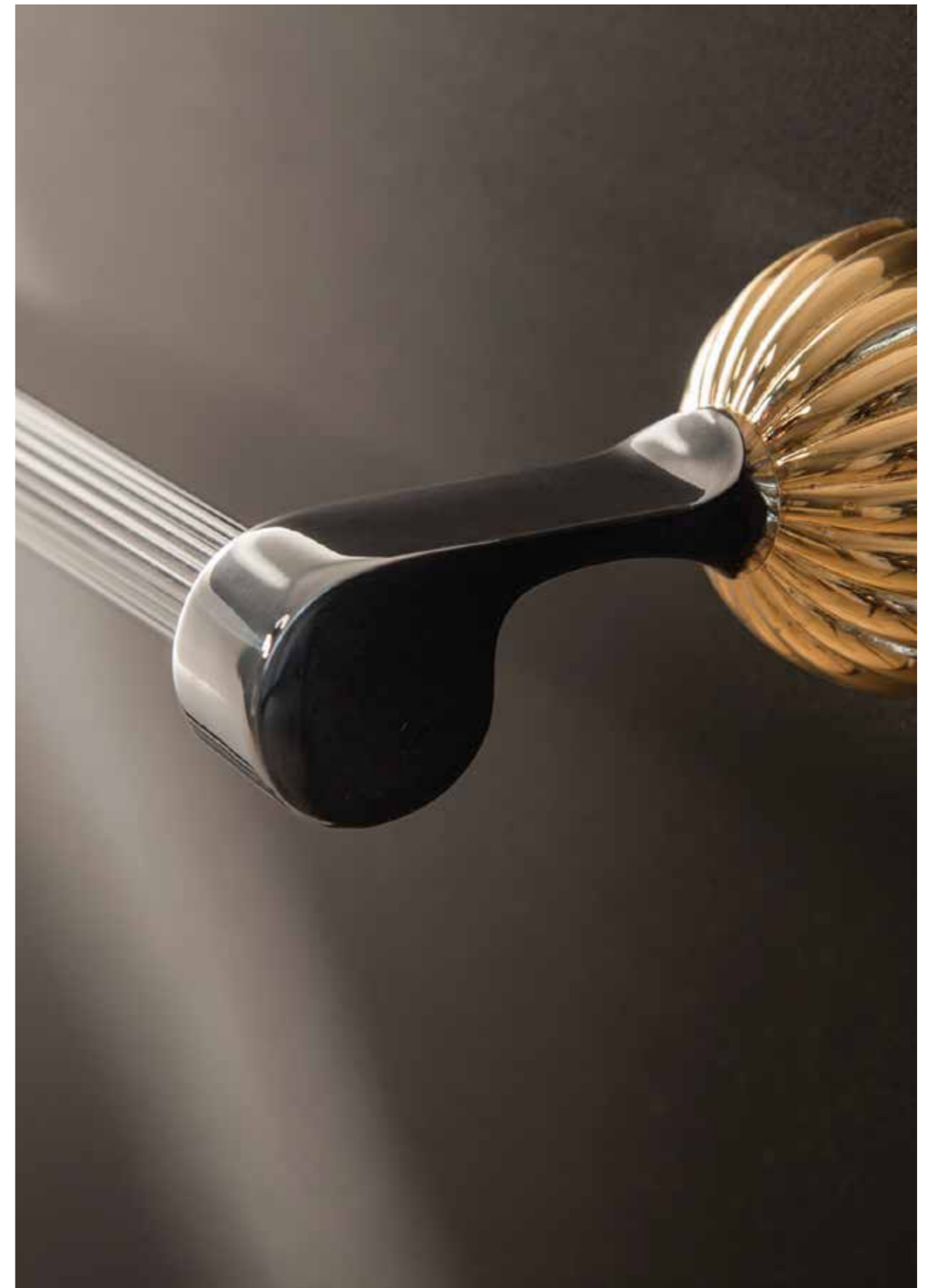
04102OR00
OR/NS/NI/PL/HM/NM

04102AM00
AM/OP/CN

04102XX00 *
XX

* XX: Per tutte le altre finiture fattibili riferirsi a questa fascia di prezzo. /
Refer to this line of price for all other realizable finishes.

Non disponibile in BM - TT - BU - ON - FA - IM - NM - OM - HM - CM /
Not available BM - TT - BU - ON - FA - IM - NM - OM - HM - CM



Art. 02007C050

FINITURE E COLORI / FINISHES AND COLOURS

* Disponibile su richiesta / Available on demand

ACCESSORI E RICAMBI / ACCESSORIES AND SPARE PARTS

BICCHIERE
GLASS



POMPETTA DISPENSER
DISPENSER PUMP



PORTA SAPONE
SOAP HOLDER



VASO SCOPINETTO
BRUSHED POT



SCOPINETTO
PLASTIC BRUSHED

AXEL

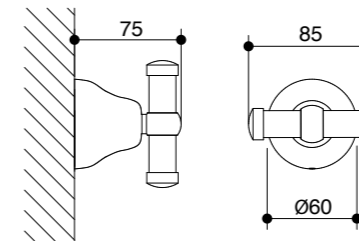


Art. 15015FA00

15001

Porta abito.

Robe hook.



ARTICOLO COMPLETO / COMPLETE ITEM

15001CR00
CR15001BM00
BM/BU/NS/ON15001FA00
FA/OR/HM/NM15001XX00 *
XX

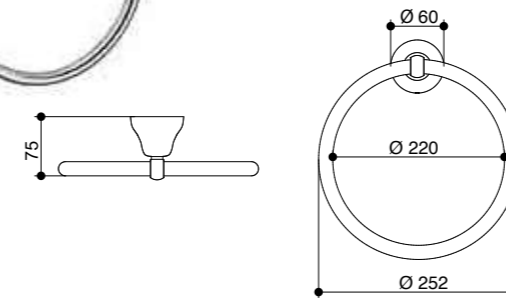
* XX: Per tutte le altre finiture fattibili riferirsi a questa fascia di prezzo. / Refer to this line of price for all other realizable finishes.

Non disponibile in OM - AM - CM - IM / Not available OM - AM - CM - IM

15004

Porta asciugamano ad anello.

Tower ring holder.



ARTICOLO COMPLETO / COMPLETE ITEM

15004CR00
CR15004BM00
BM/BU/NS/ON15004FA00
FA/OR/HM/NM15004XX00 *
XX

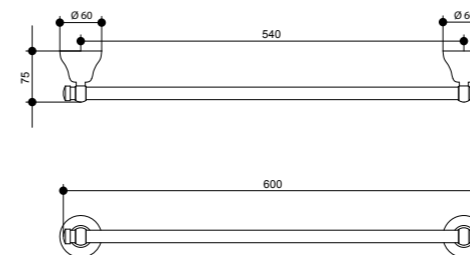
* XX: Per tutte le altre finiture fattibili riferirsi a questa fascia di prezzo. / Refer to this line of price for all other realizable finishes.

Non disponibile in OM - AM - CM - IM / Not available OM - AM - CM - IM

15007/60

Porta asciugamano 600 mm.

600 mms. towel rail.



ARTICOLO COMPLETO / COMPLETE ITEM

15007CR60
CR15007BM60
BM/BU/NS/ON15007FA60
FA/OR/HM/NM15007XX60 *
XX

* XX: Per tutte le altre finiture fattibili riferirsi a questa fascia di prezzo. / Refer to this line of price for all other realizable finishes.

Non disponibile in OM - AM - CM - IM / Not available OM - AM - CM - IM

ACCESSORI E RICAMBI / ACCESSORIES AND SPARE PARTS

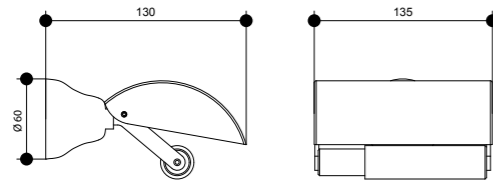
BICCHIERE
GLASSPOMPETTA DISPENSER
DISPENSER PUMPPORTA SAPONE
SOAP HOLDERVASO SCOPINETTO
BRUSHED POTSCOPINETTO
PLASTIC BRUSHED

FINITURE E COLORI / FINISHES AND COLOURS



15008

Porta rotolo con ribalta. Toilet paper holder with flap.



ARTICOLO COMPLETO / COMPLETE ITEM

15008CR00
CR

15008BM00
BM/BU/NS/ON

15008FA00
FA/OR/HM/NM

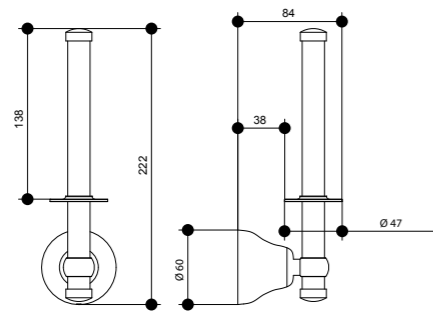
15008XX00 *
XX

* XX: Per tutte le altre finiture fattibili riferirsi a questa fascia di prezzo. / Refer to this line of price for all other realizable finishes.

Non disponibile in OM - AM - CM - IM / Not available OM - AM - CM - IM

15011

Porta rotolo di riserva. Toilet paper holder with supply.



ARTICOLO COMPLETO / COMPLETE ITEM

15011CR00
CR

15011BM00
BM/BU/NS/ON

15011FA00
FA/OR/HM/NM

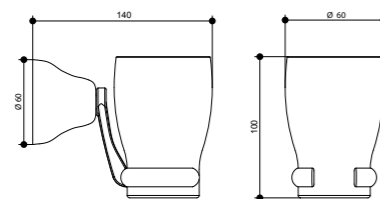
15011XX00 *
XX

* XX: Per tutte le altre finiture fattibili riferirsi a questa fascia di prezzo. / Refer to this line of price for all other realizable finishes.

Non disponibile in OM - AM - CM - IM / Not available OM - AM - CM - IM

15014

Porta bicchiere. Glass holder.



ARTICOLO COMPLETO / COMPLETE ITEM

15014CR00
CR

15014BM00
BM/BU/NS/ON

15014FA00
FA/OR/HM/NM

15014XX00 *
XX

* XX: Per tutte le altre finiture fattibili riferirsi a questa fascia di prezzo. / Refer to this line of price for all other realizable finishes.

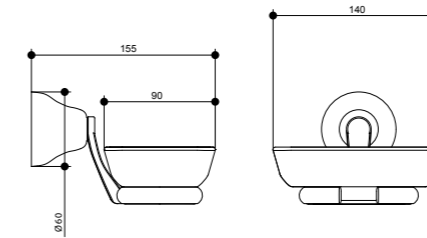
Non disponibile in OM - AM - CM - IM / Not available OM - AM - CM - IM

RICAMBI / SPARE PARTS

15701

15015

Porta sapone. Soap holder.



ARTICOLO COMPLETO / COMPLETE ITEM

15015CR00
CR

15015BM00
BM/BU/NS/ON

15015FA00
FA/OR/HM/NM

15015XX00 *
XX

* Per tutte le altre finiture fattibili riferirsi a questa fascia di prezzo. / Refer to this line of price for all other realizable finishes.

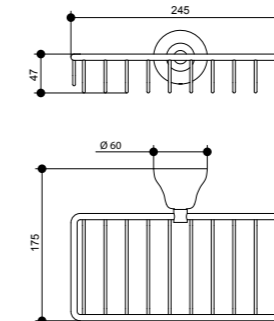
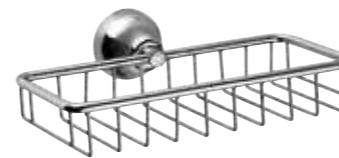
Non disponibile in OM - AM - CM - IM / Not available OM - AM - CM - IM

RICAMBI / SPARE PARTS

15700

15013

Cestello rettangolare. Rectangular basket.



ARTICOLO COMPLETO / COMPLETE ITEM

15013CR00
CR

15013BM00
BM/BU/NS/ON

15013FA00
FA/OR/HM/NM

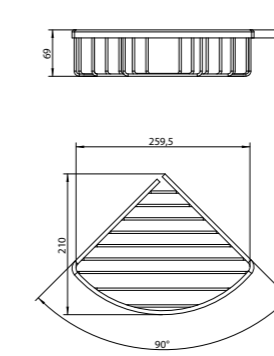
15013XX00 *
XX

* XX: Per tutte le altre finiture fattibili riferirsi a questa fascia di prezzo. / Refer to this line of price for all other realizable finishes.

Non disponibile in OM - AM - CM - IM / Not available OM - AM - CM - IM

30011

Cestello singolo ad angolo in ottone. Brass corner basket soap holder.



ARTICOLO COMPLETO / COMPLETE ITEM

30011CR00
CR

30011BI00
BI/NE

30011OR00
OR/NS/PL/NI/HM/NM/FA

30011AM00
AM/OP/CN

30011XX00 *
XX

* XX: Per tutte le altre finiture fattibili riferirsi a questa fascia di prezzo. / Refer to this line of price for all other realizable finishes.

Non disponibile in BM - TT - BU - ON - FA - IM - NM - OM - HM - CM / Not available BM - TT - BU - ON - FA - IM - NM - OM - HM - CM

FINITURE E COLORI / FINISHES AND COLOURS

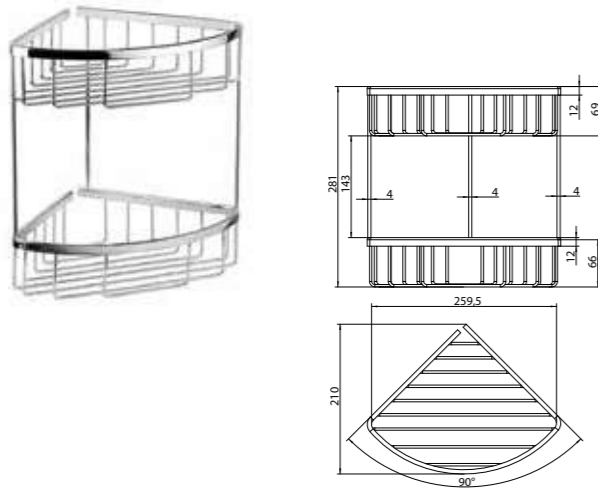


ACCESSORI E RICAMBI / ACCESSORIES AND SPARE PARTS



30021

Cestello doppio ad angolo in ottone. Double brass corner basket soap holder.



ARTICOLO COMPLETO / COMPLETE ITEM

30021CR00
CR

30021BR00
BR/BI/NE

30021OR00
OR/FA/HM/NM/NS/NI/PL

30021AM00
AM/OP/CN

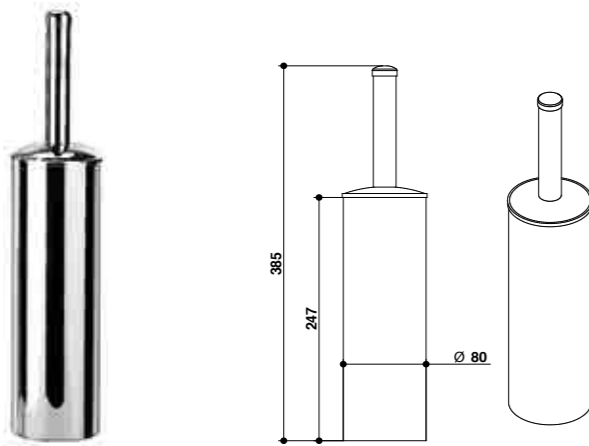
30021XX00 *
XX

* XX: Per tutte le altre finiture fattibili riferirsi a questa fascia di prezzo. / Refer to this line of price for all other realizable finishes.

Non disponibile in BM - TT - BU - ON - IM - OM - CM / Not available BM - TT - BU - ON - IM - OM - CM

21025

Porta scopino da appoggio con base in ABS antigraffio. Toilet brush holder to lean with scratchproof ABS base.



ARTICOLO COMPLETO / COMPLETE ITEM

21025CR00
CR

21025CO00
CO

21025BI00
BI/NE

21025RS00
RS/SS/SB/LI/BU/ON

21025OR00
OR/FA/NS/NI/PL/NM/BM/HM

21025AM00
AM/OP/CN

21025XX00 *
XX

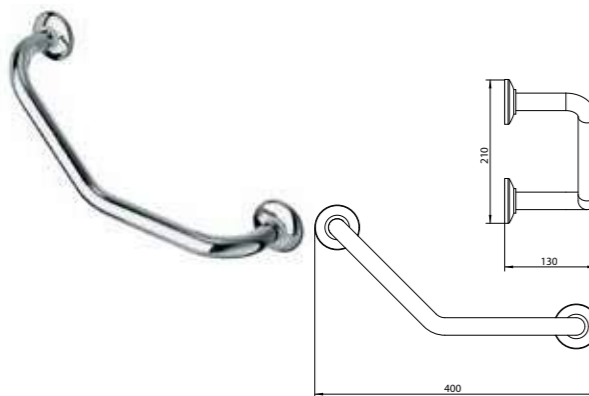
* XX: Per tutte le altre finiture fattibili riferirsi a questa fascia di prezzo. / Refer to this line of price for all other realizable finishes.

RICAMBI / SPARE PARTS

↓ 30720

04104

Maniglione per vasca. Grab-bar for bath tub without soap holder.



ARTICOLO COMPLETO / COMPLETE ITEM

04104CR00
CR

04104OR00
OR/NS/NI/PL

04104OP00
OP/AM/CN

04104XX00 *
XX

* XX: Per tutte le altre finiture fattibili riferirsi a questa fascia di prezzo. / Refer to this line of price for all other realizable finishes.

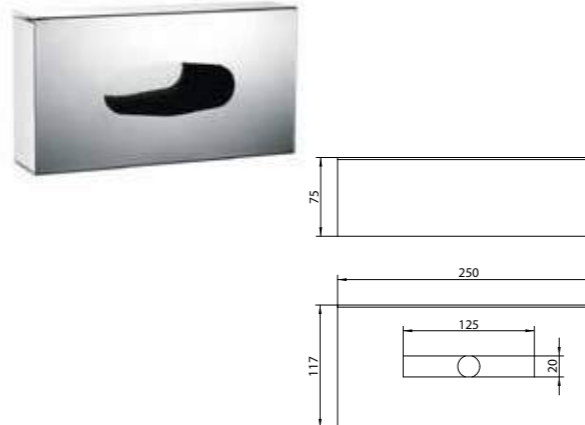
Non disponibile in BM - TT - BU - ON - FA - IM - NM - OM - HM - CM / Not available BM - TT - BU - ON - FA - IM - NM - OM - HM - CM

FINITURE E COLORI / FINISHES AND COLOURS



04103

Contenitore porta fazzoletti muro/ appoggio in acciaio. Wall kleenex dispenser.



ARTICOLO COMPLETO / COMPLETE ITEM

04103CR00
CR

04103OR00
OR/NS/NI/PL/HM/NM

04103AM00
AM/OP/CN

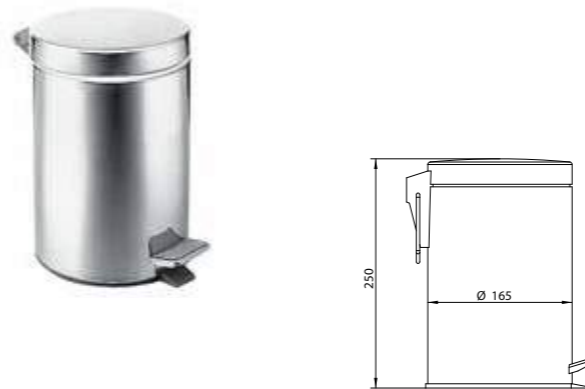
04103XX00 *
XX

* XX: Per tutte le altre finiture fattibili riferirsi a questa fascia di prezzo. / Refer to this line of price for all other realizable finishes.

Non disponibile in BM - TT - BU - ON - FA - IM - NM - OM - HM - CM / Not available BM - TT - BU - ON - FA - IM - NM - OM - HM - CM

04102

Porta rifiuti copercchio, a pedale 3 lt. 3 lt. Trash bin.



ARTICOLO COMPLETO / COMPLETE ITEM

04102CR00
CR

04102OR00
OR/NS/NI/PL/HM/NM

04102AM00
AM/OP/CN

04102XX00 *
XX

* XX: Per tutte le altre finiture fattibili riferirsi a questa fascia di prezzo. / Refer to this line of price for all other realizable finishes.

Non disponibile in BM - TT - BU - ON - FA - IM - NM - OM - HM - CM / Not available BM - TT - BU - ON - FA - IM - NM - OM - HM - CM

ACCESSORI E RICAMBI / ACCESSORIES AND SPARE PARTS



ELECTRONIC AND PUBLIC UTILITIES



LAVABO / WASHBASIN
Art. 30501CREL
Speciale articolo elettronico a campo magnetico / Special ssystem with magnetic field

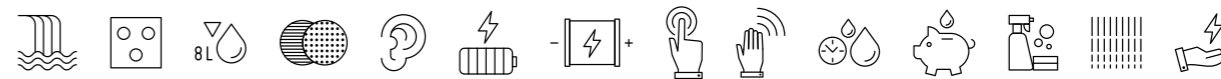
LAVABO / WASHBASIN
Art. 00977CREL



LAVABO / WASHBASIN
Art. 46992CREL

INFORMAZIONI TECNICHE

Technical details



EROGAZIONE: Tutti i miscelatori sono dotati di regolatore di portata o di aeratore con limitatore di portata a 6 l/m.

ALIMENTAZIONE ELETTRICA: Il tipo di alimentazione elettrica è fornita attraverso batterie standard al litio da 6 v, quindi i nostri miscelatori non richiedono collegamento alla rete elettrica tranne per quanto riguarda la bocca a soffitto che viene collegata tramite trasformatore.

SEGNALE BATTERIA SCARICA: Ogni articolo è provvisto di segnalazione di batteria scarica.

DISTANZA DI RILEVAMENTO: Su tutti i miscelatori è programmabile la distanza di rilevamento e quindi di lettura della presenza della mano dell'utilizzatore che aziona l'erogazione e viene percepita tramite sensori ad infrarossi oppure attraverso sistema capacitivo che utilizza il campo magnetico che si applica al miscelatore.

REGOLAZIONE TEMPERATURA E PRESSIONE: I miscelatori elettronici vengono forniti di un regolatore di temperatura per predisporre una pre-miscelazione dell'acqua e in altri casi bisogna abbinare una valvola di premiscelazione termostatica.

La pre-miscelazione dell'acqua su specifica richiesta del cliente può essere ottenuta anche attraverso un miscelatore termostatico installato a monte del sistema elettronico. La temperatura d'impianto non deve superare i 70°C. La pressione di esercizio dell'impianto consigliata è di 3 bar.

SUPPLY: All the mixers have a flow regulator or a perlator with flow limitation at 6l/m.

ELECTRICAL SUPPLY: The electrical supply comes from lithium batteries standard of 6 v, therefore our mixers do not need a connection to the electrical supply, except for the ceiling spout which is connected through transformer.

SIGNAL OF EXHAUSTED BATTERY: Each item has a system of signal of exhausted battery.

DISTANCE OF PRESENCE: It is possible to programme the distance of presence on each mixer, therefore to feel the presence of the hand of the user who causes the water supply. This presence has feel through infrared sensors or through a system utilizing a magnetic field.

REGULATION OF THE TEMPERATURE AND OF THE PRESSURE: The electronical mixers are supplied with a set of small taps which can be used for an advancemixing of the water. The advance-mixing of the water can be obtained, on customer demand, also through a thermostatic mixer installed before the electronical system. The temperature of the plant mus not exceed 70°C. The ideal/ suggested pressure of the plant is 3 bar.

FINITURE E COLORI / FINISHES AND COLOURS

DETTAGLI / MORE INFO PAG. 38



CR
Cromo
Chrome



CN
Cromo Nero
Black Chrome



NS
Nichel Spazzolato
Brushed Nickel



AS
Acciaio Spazzolato
Brushed Steel



OR
Oro 24kt
24kt Gold



OP
Oro Spazzolato 24kt
24kt Brushed Gold



ON
Ottone Naturale
Natural Brass



BU
Ottone Burattato
Hammered Brass



BM
Bronzo Opaco
Matt Bronze



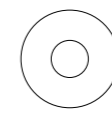
TT
Terra di Toscana
Tuscany Bronze



FA
Ferro Antico
Old Iron



NE
Nero Opaco
Matt Black
(RAL 9005)

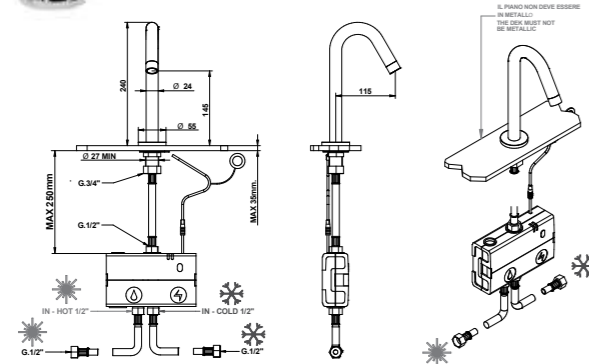


BI
Bianco Opaco
Matt White


30501/EL CAMPO MAGNETICO/MAGNETIC FIELD

Bocca erogazione con sistema elettronico a campo magnetico.

Erogation spout and electrical system with magnetic field.


ARTICOLO COMPLETO / COMPLETE ITEM

30501CREL
CR

30501ONEL
ON/BU

30501NSEL
NS/NE/BI

30501OREL
OR/CN

30501XXEL *
XX

* XX: Per tutte le altre finiture fattibili riferirsi a questa fascia di prezzo. / Refer to this line of price for all other realizable finishes.

Disponibile su richiesta con apertura touch. / Available on request with on-touch system.

Tempo erogazione standard: 1 min. Stop erogazione acqua dopo l'utilizzo: 2 sec. Stop anti allagamento ripristino funzione: 40 sec. / Standard water supply timing: 1 min. Stop water supply after using: 2 sec. Stop anti-flooding-restore function: 40 sec.

ABBINABILE A / TO MATCH WITH:
Sifone / Siphon - **00067**
Piletta clic-clac / Clic-clac waste - **00079**

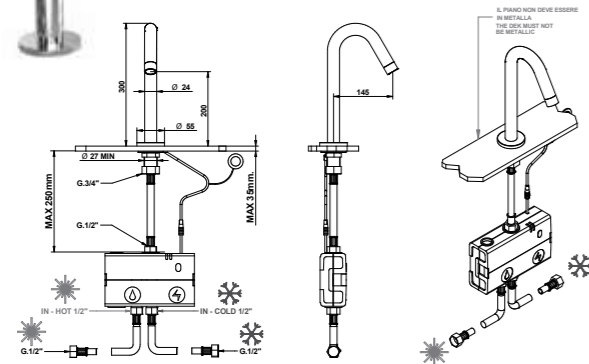
RICAMBI / SPARE PARTS

	SI001ELV1		9999CR
--	-----------	--	--------


30501/OHEL NEW

Bocca erogazione alta con sistema elettronico a campo magnetico

High erogation spout and electrical system with magnetic field


ARTICOLO COMPLETO / COMPLETE ITEM

30501CROHEL
CR

30501NSOHEL
NS/NE/BI

30501ONOHEL
ON/BU

30501OROHEL
OR/CN

30501XXOHEL *
XX

* XX: Per tutte le altre finiture fattibili riferirsi a questa fascia di prezzo. / Refer to this line of price for all other realizable finishes.

Disponibile su richiesta con apertura touch. / Available on request with on-touch system.

Tempo erogazione standard: 1 min. / Standard water supply timing: 1 min.

Stop erogazione acqua dopo l'utilizzo: 2 sec. Stop anti allagamento ripristino funzione: 40 sec. / Stop water supply after using: 2 sec. Stop anti-flooding-restore function: 40 sec.

ABBINABILE A / TO MATCH WITH:
Sifone / Siphon - **00067**
Piletta clic-clac / Clic-clac waste - **00079**

RICAMBI / SPARE PARTS

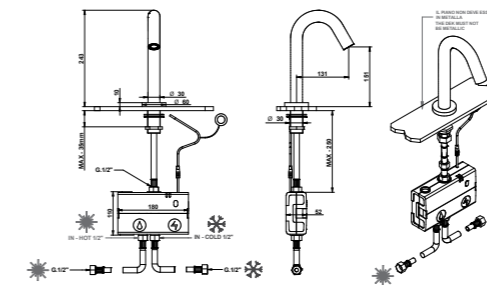
	SI001ELV1		9999CR
--	-----------	--	--------

FINITURE E COLORI / FINISHES AND COLOURS

70501/EL INOX 316 CAMPO MAGNETICO / MAGNETIC FIELD

Bocca erogazione con sistema elettronico a campo magnetico in acciaio spazzolato 316.

316 brushed stainless steel erogation spout and electrical system with magnetic field.


ARTICOLO COMPLETO / COMPLETE ITEM

70501ASEL
AS

Disponibile su richiesta con apertura touch. / Available on request with on-touch system.

Tempo erogazione standard: 1 min. Stop erogazione acqua dopo l'utilizzo: 2 sec. Stop anti allagamento ripristino funzione: 40 sec. / Standard water supply timing: 1 min. Stop water supply after using: 2 sec. Stop anti-flooding-restore function: 40 sec.

Non disponibile in altre finiture. / Not available in other finishes.

ABBINABILE A / TO MATCH WITH:
Sifone / Siphon - **00067NS00**
Piletta clic-clac / Clic-clac waste - **70071AS00**

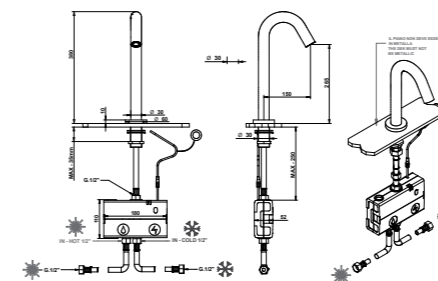
RICAMBI / SPARE PARTS

	SI001ELV1		9390
--	-----------	--	------


70501/OHEL

Bocca erogazione alta con sistema elettronico a campo magnetico in acciaio spazzolato 316.

316 brushed stainless steel high erogation spout and electrical system with magnetic field.


ARTICOLO COMPLETO / COMPLETE ITEM

70501ASOHEL
AS

Disponibile su richiesta con apertura touch. / Available on request with on-touch system.

Tempo erogazione standard: 1 min. Stop erogazione acqua dopo l'utilizzo: 2 sec. Stop anti allagamento ripristino funzione: 40 sec. / Standard water supply timing: 1 min. Stop water supply after using: 2 sec. Stop anti-flooding-restore function: 40 sec.

Non disponibile in altre finiture. / Not available in other finishes.

ABBINABILE A / TO MATCH WITH:
Sifone / Siphon - **00067NS00**
Piletta clic-clac / Clic-clac waste - **70071AS00**

RICAMBI / SPARE PARTS

	SI001ELV1		9390
--	-----------	--	------

ACCESSORI E RICAMBI / ACCESSORIES AND SPARE PARTS


CARTUCCIA E VITONE
CARTRIDGE AND MECHANISM



AERATORE
AERATOR



ELETTROVALVOLA
ELECTRO-VALVE



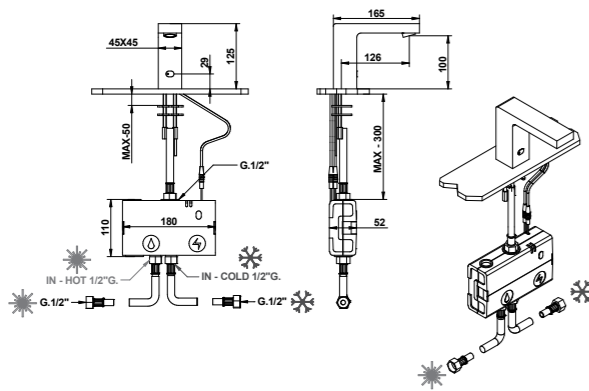
BATTERIA
BATTERY



46521/EL

Bocca erogazione con sistema elettronico a infrarossi.

Erogation spout and electronical system with infrared eye.



ARTICOLO COMPLETO / COMPLETE ITEM

46521CREL
CR

46521NSEL
NS/NE/BI

46521OREL
OR/CN

46521XXEL *
XX

* XX: Per tutte le altre finiture fattibili riferirsi a questa fascia di prezzo. / Refer to this line of price for all other realizable finishes.

Tempo erogazione standard: 1 min. Stop erogazione acqua dopo l'utilizzo: 2 sec. Stop anti allagamento ripristino funzione: 40 sec. / Standard water supply timing: 1 min. Stop water supply after using: 2 sec. Stop anti-flooding-restore function: 40 sec.

Non disponibile in BM - ON - BU - TT - FA / Not available BM - ON - BU - TT - FA

ABBINABILE A / TO MATCH WITH:
Sifone / Siphon - **00067**
Piletta clic-clac / Clic-clac waste - **00079**

RICAMBI / SPARE PARTS

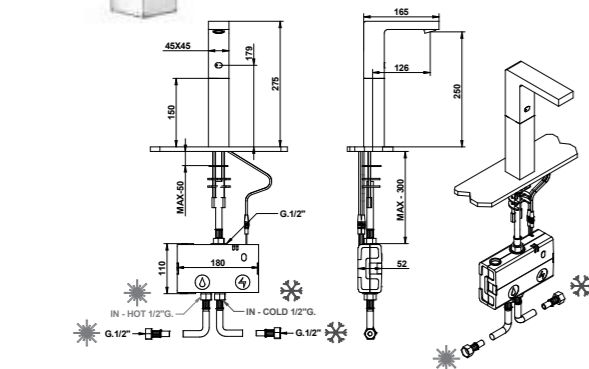
	SI001ELV1		9984
--	-----------	--	------



46532/EL

Bocca erogazione con sistema elettronico a infrarossi e prolunga da 150 mm.

Erogation spout with mms. 150 extension, electronical system with infrared eye.



ARTICOLO COMPLETO / COMPLETE ITEM

46532CREL
CR

46532NSEL
NS/NE/BI

46532OREL
OR/CN

46532XXEL *
XX

* XX: Per tutte le altre finiture fattibili riferirsi a questa fascia di prezzo. / Refer to this line of price for all other realizable finishes.

Tempo erogazione standard: 1 min. Stop erogazione acqua dopo l'utilizzo: 2 sec. Stop anti allagamento ripristino funzione: 40 sec. / Standard water supply timing: 1 min. Stop water supply after using: 2 sec. Stop anti-flooding-restore function: 40 sec.

Non disponibile in BM - ON - BU - TT - FA / Not available BM - ON - BU - TT - FA

ABBINABILE A / TO MATCH WITH:
Sifone / Siphon - **00067**
Piletta clic-clac / Clic-clac waste - **00079**

RICAMBI / SPARE PARTS

	SI001ELV1		9984
--	-----------	--	------

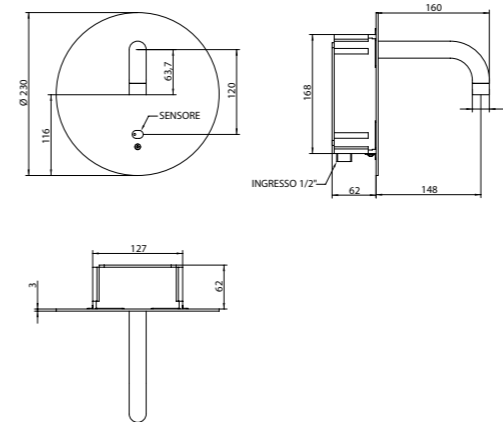
FINITURE E COLORI / FINISHES AND COLOURS



46992/EL

Bocca incasso elettronica 160 mm con sistema elettronico a infrarossi.

mms. 160 built-in spout and electronical system with infrared eye.



ARTICOLO COMPLETO / COMPLETE ITEM

46992CREL
CR

PARTE INCASSO
BUILT-IN PART

PARTE ESTERNA DA ABBINARE
EXTERNAL MATCHING PART

FINITURE / FINISHES

9670

46992CRELEU
CR

46992NSELEU
NS/NE/BI

46992ORELEU
OR/CN/OP

Valvola termostatica per premiscelazione SI00100PT. Disponibile anche con braccio da 22cm. / Thermostatic valve for waters mixing SI00100PT. Available also with 22cms spout. Stop anti-flooding-restore function: 40 sec.

Tempo erogazione standard: 1 min. Stop erogazione acqua dopo l'utilizzo: 2 sec. Stop anti allagamento ripristino funzione: 40 sec. / Standard water supply timing: 1 min. Stop water supply after using: 2 sec. Stop anti-flooding-restore function: 40 sec.

Non disponibile in altre finiture. / Not available in other finishes.

ABBINABILE A / TO MATCH WITH:
Sifone / Siphon - **00067**
Piletta clic-clac / Clic-clac waste - **00079**

RICAMBI / SPARE PARTS

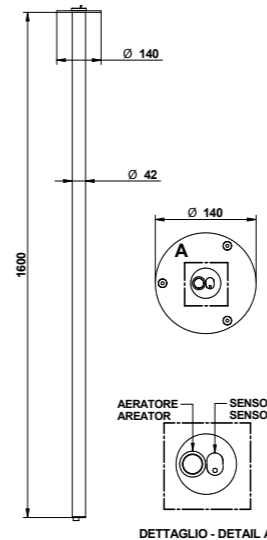
	SI001ELVL		SI00100BA
	9999CR		



00977/EL

Bocca a soffitto con sistema elettronico a infrarossi.

Ceiling spout and electronical system with infrared eye.



ARTICOLO COMPLETO / COMPLETE ITEM

00977CREL
CR

PARTE INCASSO
BUILT-IN PART

PARTE ESTERNA DA ABBINARE
EXTERNAL MATCHING PART

FINITURE / FINISHES

09747

00977CRELEU
CR

00977NSELEU
NS/NE/BI

00977TTELEU
TT/FA/ON

Valvola termostatica per premiscelazione SI00100PT. / Thermostatic valve for waters mixing SI00100PT.

Tempo erogazione standard: 1 min. Stop erogazione acqua dopo l'utilizzo: 2 sec. Stop anti allagamento ripristino funzione: 40 sec. / Standard water supply timing: 1 min. Stop water supply after using: 2 sec. Stop anti-flooding-restore function: 40 sec.

Non disponibile in altre finiture. / Not available in other finishes.

ABBINABILE A / TO MATCH WITH:
Sifone / Siphon - **00067**
Piletta clic-clac / Clic-clac waste - **00079**

RICAMBI / SPARE PARTS

	SI001ELVL		9989CR
--	-----------	--	--------

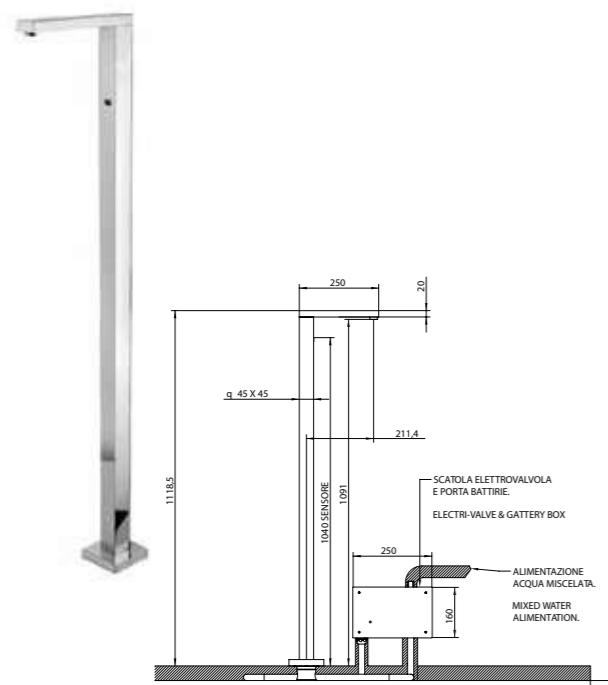
ACCESSORI E RICAMBI / ACCESSORIES AND SPARE PARTS





46533/EL

Miscelatore a pavimento con sistema elettronico a infrarossi. Floor basin mixer and electronical system with infrared eye.



ARTICOLO COMPLETO / COMPLETE ITEM

46533CREL
CR

PARTE INCASSO / BUILT-IN PART **PARTE ESTERNA DA ABBINARE** / EXTERNAL MATCHING PART

FINITURE / FINISHES

9671 **46533CRELEU**
CR

46533NSELEU
NS/NE/BI

Valvola termostatica per premiscelazione SI00100PT. / Thermostatic valve for waters mixing SI00100PT.

Tempo erogazione standard: 1 min. Stop erogazione acqua dopo l'utilizzo: 2 sec. / Standard water supply timing: 1 min. Stop water supply after using: 2 sec.

ABBINABILE A / TO MATCH WITH:
Sifone / Siphon - **00067**
Piletta clic-clac / Clic-clac waste - **00079**

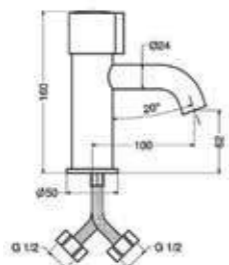
RICAMBI / SPARE PARTS

	SI001ELVL		SI00100BA
	9984		



32521/TEPR NEW

Miscelatore lavabo temporizzato con comando a pulsante. Temporizzato 15 sec. Self closing push button basin mixer. Timing 15 sec.



ARTICOLO COMPLETO / COMPLETE ITEM

32521CRTEPR
CR

32521NSTEPR
NS

Azionamento e miscelazione tramite la maniglia. / Working and mixing by the handle.

Limitatore di portata 6 l/min. Completo di valvole di ritegno e flessibili inox. / 6 l/min flow limiter. Check valves and stainless steel flexibles included.

Non disponibile in altre finiture. / Not available in other finishes.

RICAMBI / SPARE PARTS

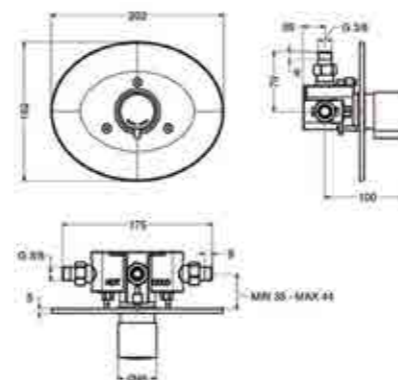
	9812/TE		9999/TE
--	----------------	--	----------------

FINITURE E COLORI / FINISHES AND COLOURS



32524/TEPR NEW

Miscelatore doccia incasso temporizzato con comando a pulsante. Temporizzato 15 secondi. Mms. 160 built-in spout and electronical system with infrared eye. Timing 15 sec.



ARTICOLO COMPLETO / COMPLETE ITEM

32524CRTEPR
CR

32524NSTEPR
NS

Azionamento e miscelazione tramite la maniglia. / Working and mixing by the handle.

Limitatore di portata 8 l/min. Completo di valvole di ritegno e filtri. / 8 l/min flow limiter. Check valves and filtres included.

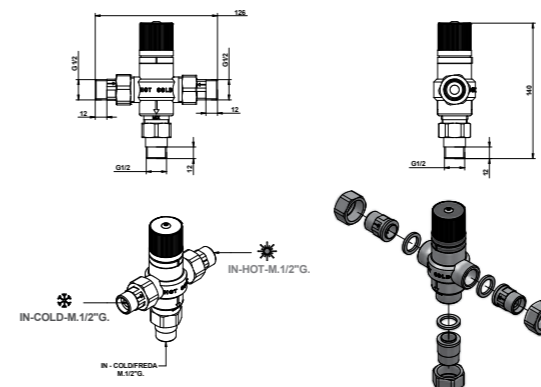
Non disponibile in altre finiture. / Not available in other finishes.

RICAMBI / SPARE PARTS

	9813/TE
--	----------------

SI00100PT

Valvola termostatica per premiscelazione. Thermostatic valve for waters mixing.



ARTICOLO COMPLETO / COMPLETE ITEM

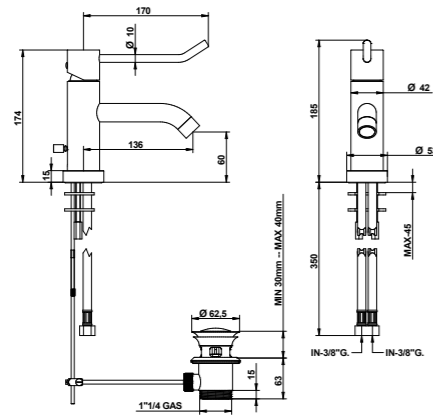
SI00100PT
CR

ACCESSORI E RICAMBI / ACCESSORIES AND SPARE PARTS



32521/LC

Miscelatore lavabo con scarico 1.1/4" Basin mixer with 1.1/4" pop-up waste with clinical lever.



ARTICOLO COMPLETO / COMPLETE ITEM

32521CRLC
CR

32521NSLC
NS/NE/BI/ON/BU

32521ORLC
OR

32521XXLC*
XX

* XX: Per tutte le altre finiture fattibili riferirsi a questa fascia di prezzo. / Refer to this line of price for all other realizable finishes.

Non disponibile in TT - FA - CM - IM - NM - HM - OM / Not available TT - FA - CM - IM - NM - HM - OM

ABBINABILE A / TO MATCH WITH:
Sifone / Siphon - **00067CR00**
Sifone / Siphon - **00065CR00**

PROLUNGA / MIXER EXTENSION

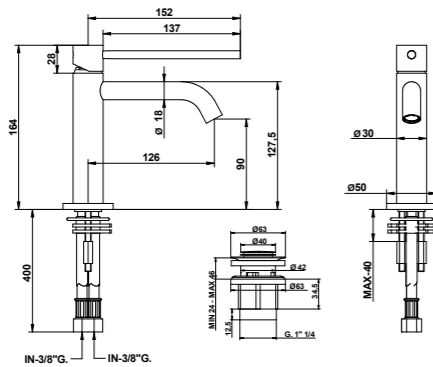
00930CR15

RICAMBI / SPARE PARTS

9812 **9999CR**

68521/LCPR

Miscelatore lavabo con piletta in ottone clic-clac con leva clinica. Basin mixer with clic-clac waste with clinical lever.



ARTICOLO COMPLETO / COMPLETE ITEM

68521CRLCPR
CR

68521BILCPR
BI/NE

68521NSLCPR
NS/BU/ON

68521FALCPR
FA/OR/BM

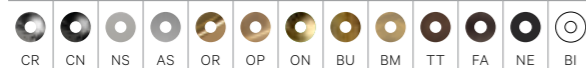
Non disponibile in altre finiture. / Not available in other finishes.

ABBINABILE A / TO MATCH WITH:
Sifone / Siphon - **00067CR00**

RICAMBI / SPARE PARTS

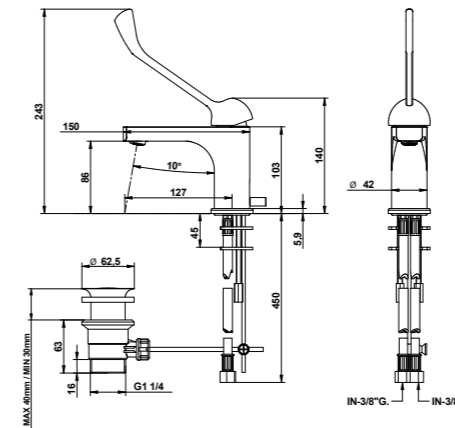
9870 **9392**

FINITURE E COLORI / FINISHES AND COLOURS



07521/LC

Miscelatore lavabo con scarico 1.1/4" Basin mixer with 1.1/4" pop-up waste with clinical lever.



ARTICOLO COMPLETO / COMPLETE ITEM

07521CRLCPR
CR

Non disponibile in altre finiture. / Not available in other finishes.

ABBINABILE A / TO MATCH WITH:
Sifone / Siphon - **00067CR00**
Sifone / Siphon - **00065CR00**

PROLUNGA / MIXER EXTENSION

00941CR15

RICAMBI / SPARE PARTS

9847 **9982**

ACCESSORI E RICAMBI / ACCESSORIES AND SPARE PARTS



KITCHEN



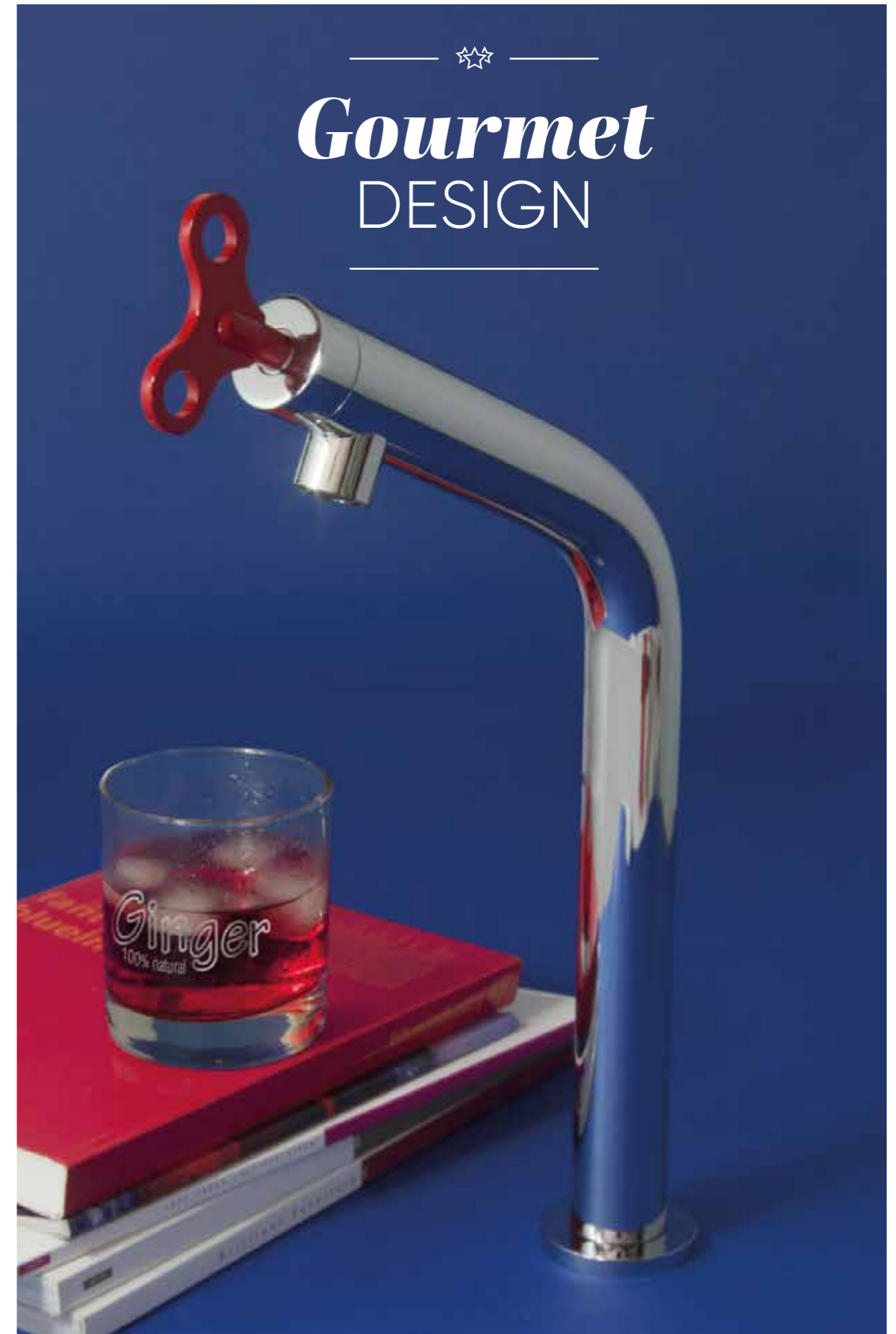
LAVABO / WASHBASIN
Art. SW580SIRS

KITCHEN

DESIGN CENTER DIRECTED BY
ANTONIO BONGIO



1. Art. SW580
2. Art. 32980/PR



Art. 30570RB00



Art. 30570BU00



Art. 30570

CREDITS

Project: Filippo Bombace / Photo: Serena Eller Vainicher

Technology TASTE



Art. SW580SINE

Art. SW580NEME



Art. 70590AS00



Art. 32580CR00



Art. 70590AS00



Art. 70180AS00



Art. 07481CRPR



Art. 32980CRPR

Art. 32482CRPR



Kitchen
CREATIVITY



INSPIRATIONS



Art. 32481CRPR

INFORMAZIONI TECNICHE

Technical details



VITONI e CARTUCCE: Gli articoli della serie Cucina sono dotati di vitoni a dischi ceramici ¼ di giro e di cartucce di diverse tipologie di cartucce: cartuccia ø 25 mm, cartuccia ø 35 mm senza distributore e cartuccia progressiva ø 35 mm. Il funzionamento della cartuccia miscelatrice progressiva avviene con movimento rotatorio in senso orario, permettendo un'erogazione dell'acqua da completamente fredda a miscelata per passare a tutta calda, questo sistema permette una notevole riduzione di consumo di acqua calda. La temperatura d'impianto non deve superare i 70°C. La pressione di esercizio dell'impianto consigliata è di 3 bar.

INSTALLAZIONE: I fori da realizzare sui piani cucina, per una corretta installazione degli articoli, devono avere ø 35 mm. massimo.

FUNZIONALITÀ: Tutti gli articoli da piano e da muro sono dotati di bocca girevole ed inoltre alcuni miscelatori sono dotati di bocca abbattibile per l'utilizzo sottofinestra.

NOTA FINITURE FA / TT: I prodotti nelle finiture Ferro Antico (FA) e Terra di Toscana (TT) vengono realizzati con trattamenti manuali e, data la particolare lavorazione artigianale, possono presentare una colorazione non uniforme.

NOTA FINITURE ON / BU: Le finiture Ottone Naturale (ON) e Ottone Burattato (BU) sono finiture naturali che con il tempo a contatto con l'atmosfera cambiano di tonalità. Ricordano il sapore materico e grezzo delle vecchie rubinetterie utilizzate anche in esterno. Interessante contrasto anche per le serie più moderne.

MECHANISM AND CARTRIDGES: All Cucina items (sink series) have 1/4 turn ceramic disc mechanism and different types of cartridges: ø 25 mms., ø 35 mms. without distributor and progressive cartridge ø 35 mms. The progressive cartridge works through a turning clock wise movement obtaining a water supply from completely cold to mixed water to total hot water, highly reducing hot water consumption. The temperature of the plant must not exceed 70°C. The ideal working pressure of the plant is 3 bar.

INSTALLATION: the holes on the kitchen plan, for a perfect deck installation of the items, should have a maximum ø 35 mm.

FUNCTIONALITY: All the kitchen items for wall and deck installation have a swiveling spout, some mixers are also suitable for installation under the windows with removable spout.

FINISHES NOTE FA / TT: Products in Ferro Antico (FA) and Terra di Toscana (TT) finish are made with manual treatments and may therefore display colour variations due to the particular craftsmanship.

NOTE ON FINISHES ON / BU: The Natural Brass (ON) and Hammered Brass (BU) finishes are natural finishes that change color over time by being in contact with the natural atmosphere. They are reminiscent of the materials and rustic nature of old outdoor taps, providing an enticing contrast even for the most modern series.

SWITCH20

DETTAGLI / MORE INFO PAG. 38



NEME

Nero Opaco + Verde
Matt Black + Green



NENE

Nero Opaco + Nero
Matt Black + Black



NERS

Nero Opaco + Rosso
Matt Black + Red



SIME

Silver + Verde
Silver + Green



SINE

Silver + Nero
Silver + Black

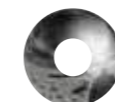


SIRS

Silver + Rosso
Silver + Red

FINITURE E COLORI / FINISHES AND COLOURS

DETTAGLI / MORE INFO PAG. 38



CR

Cromo
Chrome



AS

Acciaio Spazzolato
Brushed Steel



NS

Nichel Spazzolato
Brushed Nickel



CM

Cromo Satinato
Matt Chrome



IM

Nichel Satinato
Matt Nickel



OR

Oro 24kt
24kt Gold



OP

Oro Spazzolato 24kt
24kt Brushed Gold



OM

Oro Satinato
Matt Gold



HM

Oro Francese Satinato
Matt French Gold



AM

Oro Rosa Satinato
Matt Rose Gold



ON

Ottone Naturale
Natural Brass



BU

Ottone Burattato
Hammered Brass



BM

Bronzo Opaco
Matt Bronze



NM

Cromo Nero Satinato
Matt Black Chrome



FA

Ferro Antico
Old Iron



RB

Moka Opaco
Matt Moka



NE

Nero Opaco
Matt Black
(RAL 9005)



BI

Bianco Opaco
Matt White

SWITCH₂0

DESIGN BY FEDERICO ROSSI



Erogatore cromatico con luce LED
LED dynamo system

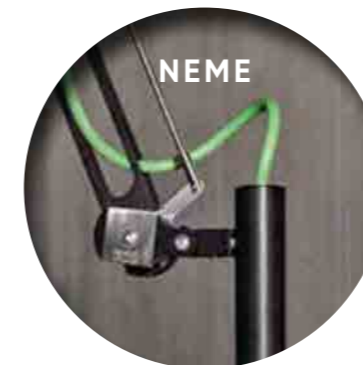
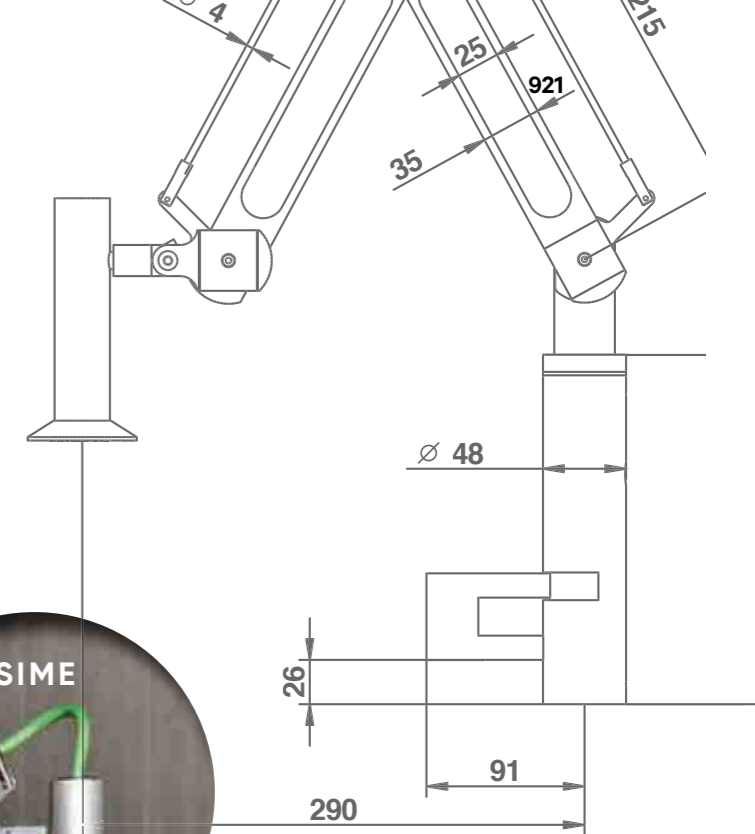


Art. SW580NEME

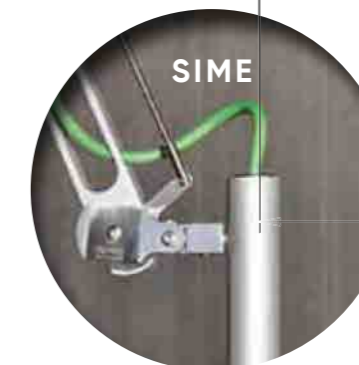
#BONGIOCOLLECTIONS2022

Erogatore con luce LED alimentata con dinamo
(non occorre connessione elettrica)
L'acqua erogata cambia colore (dal blu al rosso)
in funzione della temperatura.

Handshower with LED with dynamo working without
any battery and /or power connection.
The color of the water changes (from blue to red)
according to the temperature of the water itself.



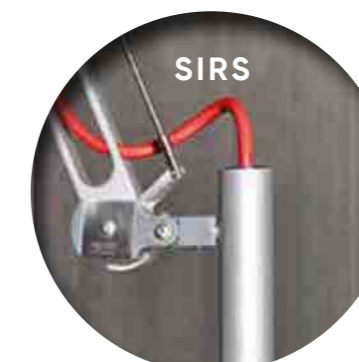
NEME
NERO OPACO/VERDE
MATT BLACK/GREEN
SW580NEME



SIME
SILVER/VERDE
SILVER/GREEN
SW580SIME



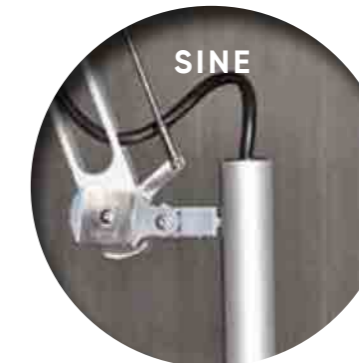
NERS
NERO OPACO/ROSSO
MATT BLACK/RED
SW580NERS



SIRS
SILVER/ROSSO
SILVER/RED
SW580SIRS



NENE
NERO OPACO/NERO
MATT BLACK/BLACK
SW580NENE



SINE
SILVER/NERO
SILVER/BLACK
SW580SINE

#TECNOARTIGIANATO

FOR MORE INFO:



SWITCH20



Art. SW580SIRS

VIDEO TUTORIAL



FINITURE E COLORI / FINISHES AND COLOURS



NEME | NENE | NERS | SIME | SINE | SIRS

SW580

Miscelatore lavello con doccia
orientabile ad estensione, monogetto,
acqua con luce dinamo.

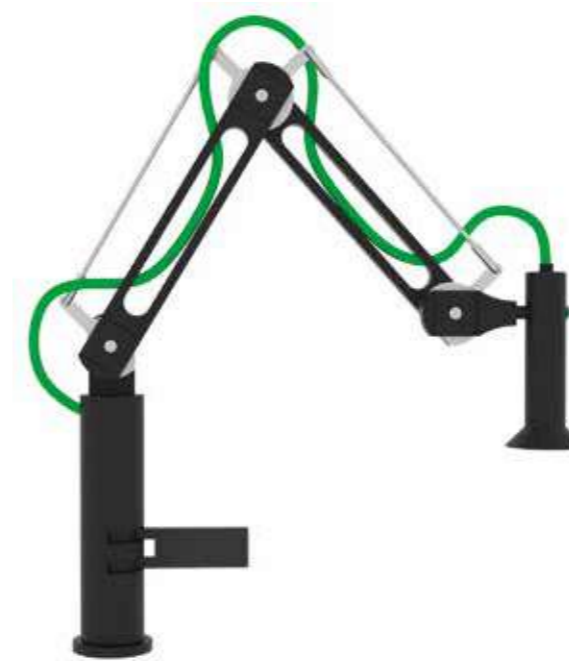
Kitchen mixer with adjustable and
extensible handshower arm, single-jet
and dynamo light.

ARTICOLO COMPLETO / COMPLETE ITEM

SW580NEME

NEME/NENE/NERS/SIME/SINE/SIRS

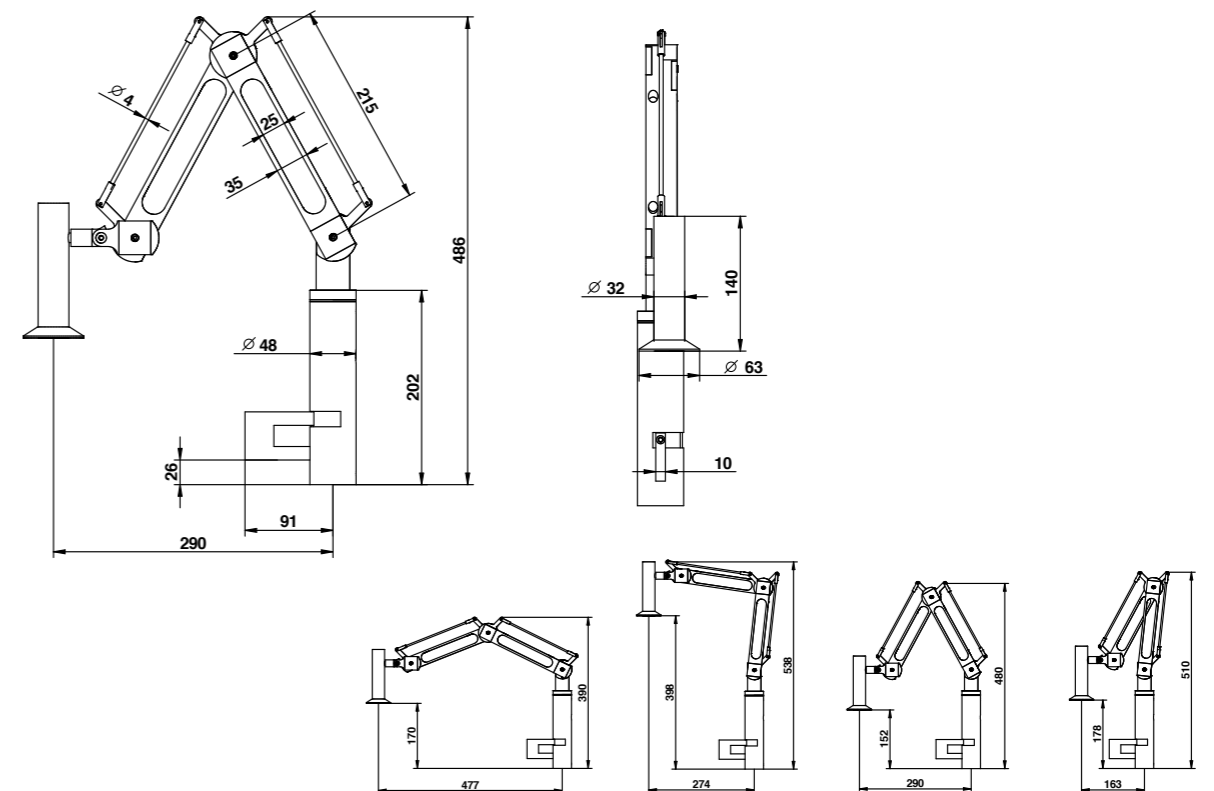
Non disponibile in altre finiture. / Not available in other finishes.



RICAMBI / SPARE PARTS

	9898		9399
	9399/OD *		

* Con dinamo / With dynamo



ACCESSORI E RICAMBI / ACCESSORIES AND SPARE PARTS



PROLUNGA
MIXER EXTENSION

CARTUCCIA E VITONE
CARTRIDGE AND MECHANISM

AERATORE
AERATOR

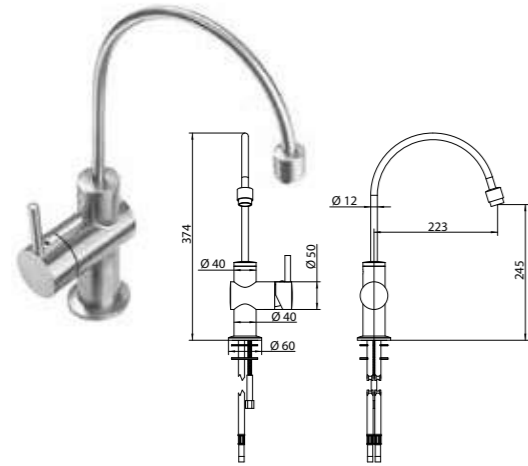
FLESSIBILE
FLEXIBLE

DOCCETTA
HANDSHOWER

DEVIATORE
DIVERTER

70180

Miscelatore lavello in acciaio 316 con bocca girevole. 316 brushed stainless steel single hole kitchen mixer with swivel spout.



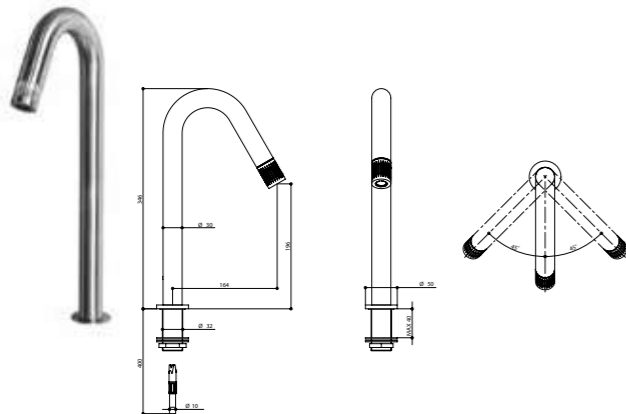
ARTICOLO COMPLETO / COMPLETE ITEM

70180AS00
AS

Non disponibile in altre finiture. / Not available in other finishes.

70580

Miscelatore lavello girevole in acciaio spazzolato inox 316 (alto 346 mm) con cartuccia progressiva inclusa nella bocca. 316 brushed stainless steel kitchen mixer (346 mms. high) swivel with progressive cartridge placed in the spout.



ARTICOLO COMPLETO / COMPLETE ITEM

70580AS00
AS

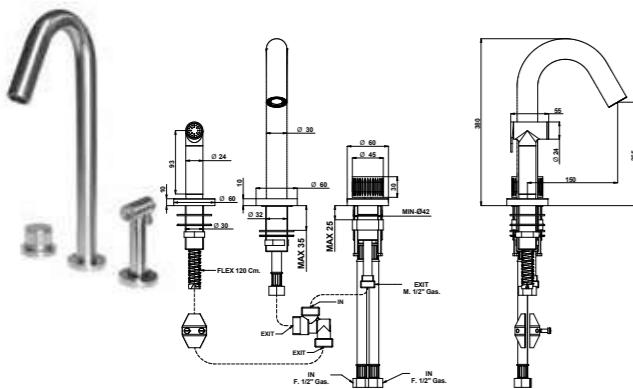
Non disponibile in altre finiture. / Not available in other finishes.

RICAMBI / SPARE PARTS

	9880		9390
--	------	--	------

70590

Gruppo 3 fori lavello cucina con bocca girevole, miscelatore con cartuccia progressiva e set doccia estraibile con deviatore automatico in acciaio spazzolato 316. 316 brushed stainless steel 3 holes sink mixer with swivel spout, mixer with progressive cartridge and extractable shower set with automatic diverter.



ARTICOLO COMPLETO / COMPLETE ITEM

70590AS00
AS

Non disponibile in altre finiture. / Not available in other finishes.

RICAMBI / SPARE PARTS

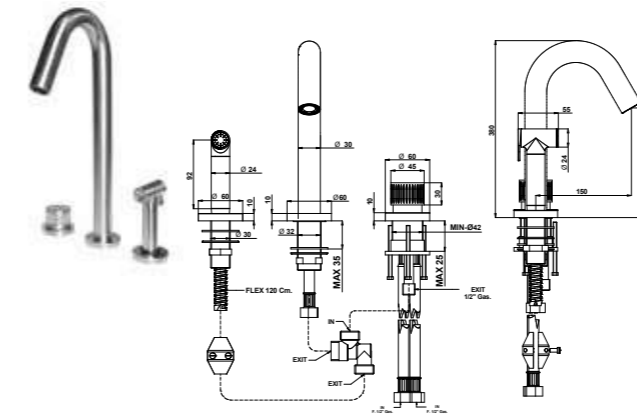
	9822		9391
	09612AS		70904AS00
	70590ASDV		

FINITURE E COLORI / FINISHES AND COLOURS



71590

Gruppo 3 fori lavello cucina con bocca girevole, miscelatore con cartuccia tradizionale e set doccia estraibile con deviatore automatico in acciaio spazzolato 316. 316 brushed stainless steel 3 holes sink mixer with swivel spout, mixer with traditional cartridge and extractable shower set with automatic diverter.



ARTICOLO COMPLETO / COMPLETE ITEM

71590AS00
AS

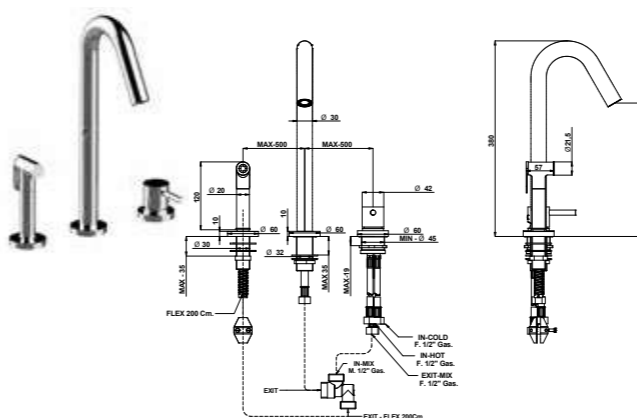
Non disponibile in altre finiture. / Not available in other finishes.

RICAMBI / SPARE PARTS

	9896		9391
	09612AS		70904AS00
	70590ASDV		

68590

Gruppo 3 fori lavello cucina con bocca girevole, miscelatore con cartuccia tradizionale e set doccia estraibile con deviatore automatico. 3 holes sink mixer with spout mixer with traditional cartridge and extractable shower set with automatic diverter.



ARTICOLO COMPLETO / COMPLETE ITEM

68590CR
CR68590NS
NS/BU/NE68590OR
OR

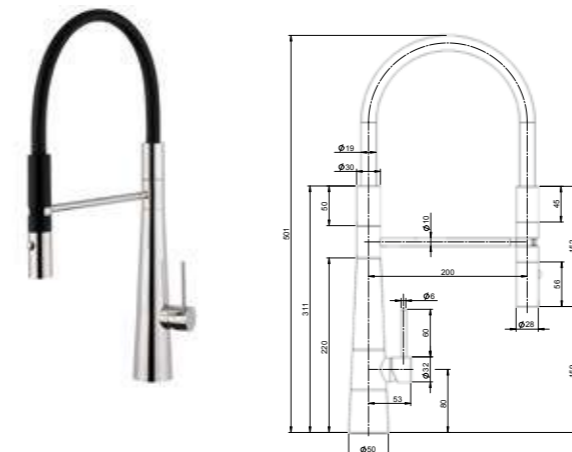
Non disponibile in altre finiture. / Not available in other finishes.

RICAMBI / SPARE PARTS

	9813		9999
	9606CR		68902CRDO
	70590ASDV		

70080

Miscelatore lavello in acciaio spazzolato 316 con bocca girevole e doccetta estensibile con doppio getto. 316 brushed stainless steel sink mixer with swivel spout, with double jet.



ARTICOLO COMPLETO / COMPLETE ITEM

70080AS00
AS

Non disponibile in altre finiture. / Not available in other finishes.

RICAMBI / SPARE PARTS

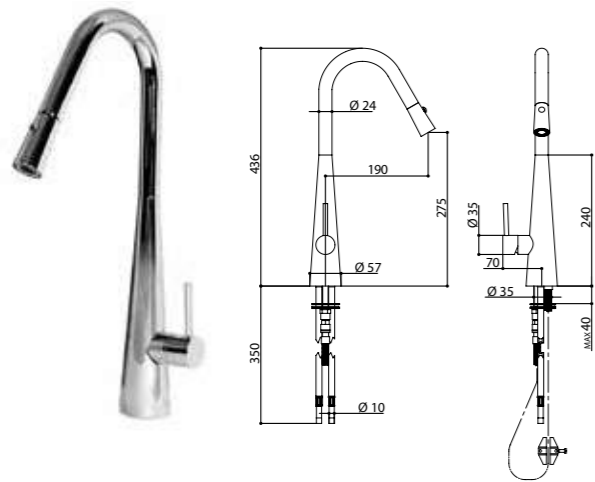
	9897		9394
--	------	--	------

ACCESSORI E RICAMBI / ACCESSORIES AND SPARE PARTS



32080

Miscelatore lavello con doccetta estraibile con doppio getto. Kitchen mixer with extractable handshower with double jet.



ARTICOLO COMPLETO / COMPLETE ITEM

32080CR00
CR
32080ON00 *
ON/NS/NE/BU
32080XX00 *
XX

* Nelle varianti colore verniciate e satinare alcuni particolari saranno in finitura galvanica per garantire gli standard qualitativi. / To assure our quality standard on colored product, some details remain in chrome. / * XX: Per tutte le altre finiture fattibili riferirsi a questa fascia di prezzo. / Refer to this line of price for all other realizable finishes.

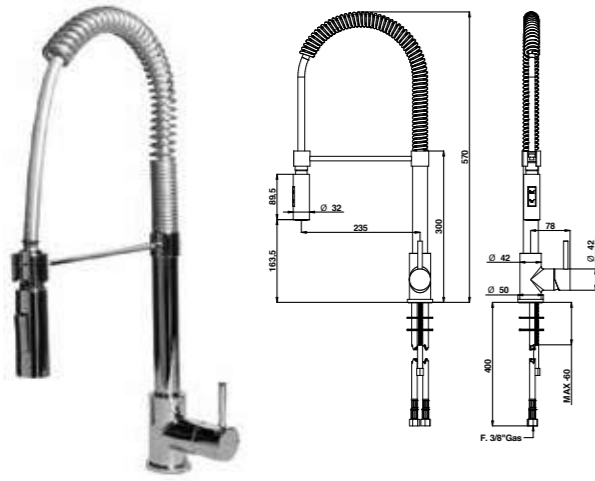
Non disponibile in CM - IM - NM - HM - OM - BM / Not available CM - IM - NM - HM - OM - BM

RICAMBI / SPARE PARTS

9851	9376CR
------	--------

32980/PR

Miscelatore lavello con bocca girevole con doppio getto. Sink mixer with swivel spout with double jet.



ARTICOLO COMPLETO / COMPLETE ITEM

32980CRPR
CR

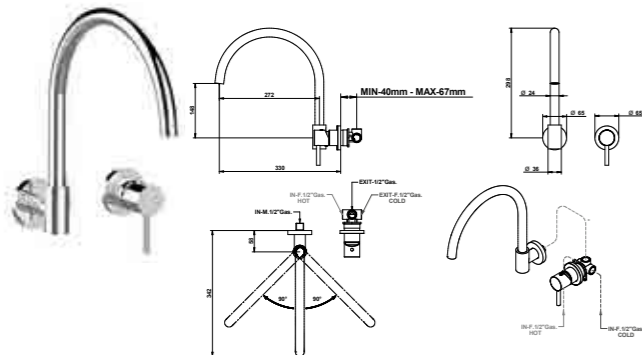
Non disponibile in altre finiture. / Not available in other finishes.

RICAMBI / SPARE PARTS

9813	9374
------	------

68570 NEW

Gruppo lavello miscelatore a parete con bocca girevole. Wall kitchen mixer with swivel spout.



ARTICOLO COMPLETO / COMPLETE ITEM

68570CR00
CR

PARTE INCASSO BUILT-IN PART **PARTE ESTERNA DA ABBINARE EXTERNAL MATCHING PART**

FINITURE / FINISHES

9761 **68570CREU**
CR
68570NEEU
NE/NS/BI/BU/
ON

Non disponibile in altre finiture. / Not available in other finishes.

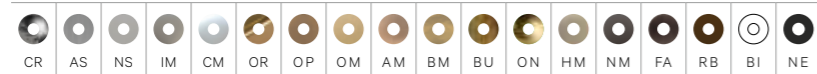
RICAMBI / SPARE PARTS

9813	9379
------	------

PROLUNGA / MIXER EXTENSION

00100CRPRR

FINITURE E COLORI / FINISHES AND COLOURS



82570

Gruppo lavello miscelatore a parete con bocca girevole. Wall kitchen mixer with swivel spout.



ARTICOLO COMPLETO / COMPLETE ITEM

82570CRCR
CRCR

PARTE INCASSO BUILT-IN PART **PARTE ESTERNA DA ABBINARE EXTERNAL MATCHING PART**

FINITURE / FINISHES

09651 **82570CRCREU**
CRCR

82570CRWMEU
CRWM/CRRM/CRRS/
CRNE/CRBI/COR

82570CRNMEU
CRNM/CRCM/CRIM/
CRHM/CROM/CRAM/
CRBM

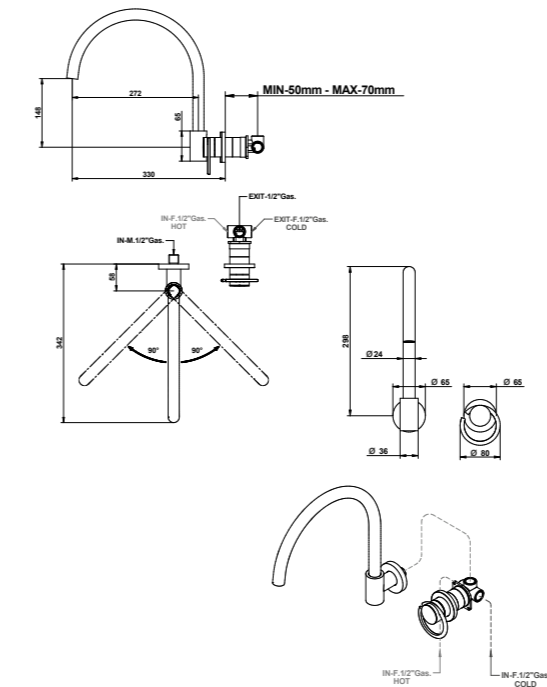
82570WMWMEU
WMWM/RMRM/BIBI/
NENE/RSRS/NSNS/
RBRB/WMRM/RMWM/
WMOR/RMOR/NECR

82570OROREU
OROR/ORCR/OROM/
ORHM/BIOP/BIOR/
NEOP/NEOR/NECN/
PLWM/PLRM/ORWM/
ORRM/WMHM/WMCN

82570OPOPEU
OPOP/OPOR/NMNM/
HMHM/HMOR/CNNE/
NMNE/NMCR/HMCR/
HMWM/HMRM/CNCR/
FAFA/TTTT/CNWM/
FARM/FAWM/TTRM

82570XXXEU *
XXXX

* XX: Per tutte le altre finiture fattibili riferirsi a questa fascia di prezzo. / Refer to this line of price for all other realizable finishes.



PROLUNGA / MIXER EXTENSION

82100CRPR

RICAMBI / SPARE PARTS

9813	9379
------	------

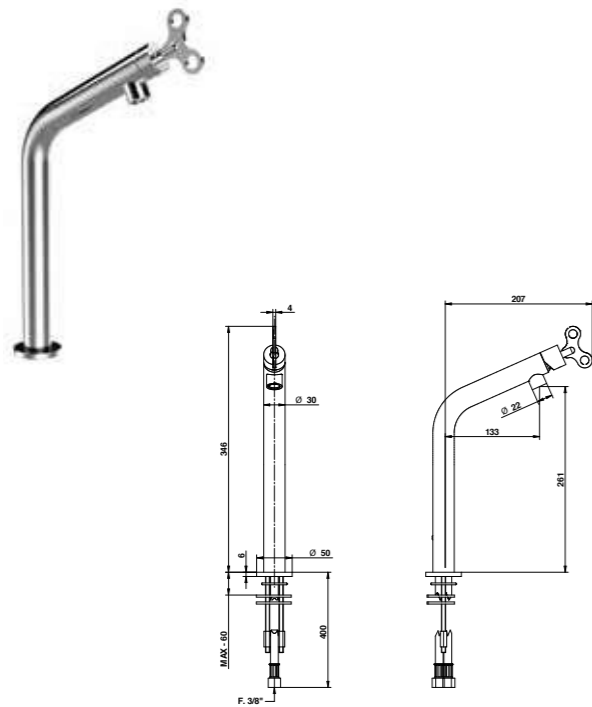
ACCESSORI E RICAMBI / ACCESSORIES AND SPARE PARTS



63380 TRADIZIONALE/TRADITIONAL
63580 PROGRESSIVA/PROGRESSIVE

Miscelatore lavello girevole con cartuccia progressiva o cartuccia tradizionale.

Sink swivel mixer with progressive cartridge or traditional cartridge.



ARTICOLO COMPLETO / COMPLETE ITEM

63380CRCR - 63580CRCR
CRCR

63380NSNS - 63580NSNS
NSNS

63380XXXX - 63580XXXX*
XXXX

* XXXX: Per tutte le altre finiture fattibili riferirsi a questa fascia di prezzo. / Refer to this line of price for all other realizable finishes.

Non disponibile in BU - ON - TT - BM - CM - IM - NM - OM - AM - HM / Not available BU - ON - TT - BM - CM - IM - NM - OM - AM - HM

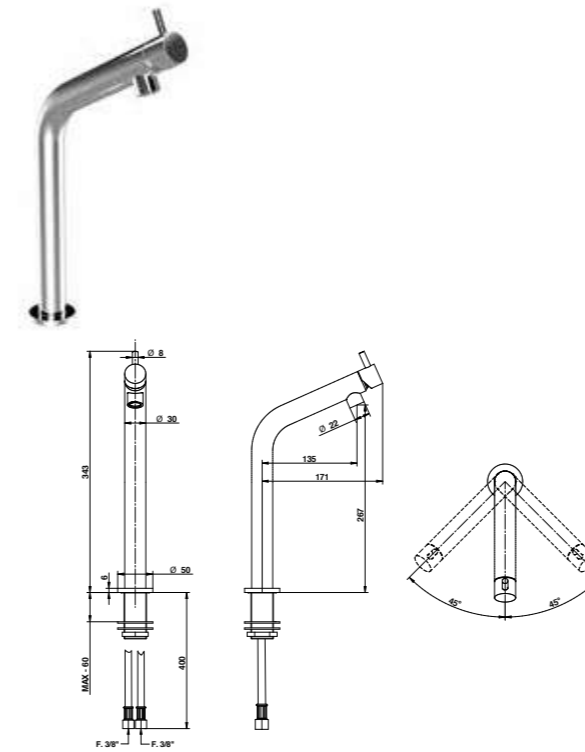
RICAMBI / SPARE PARTS

9869	9372
------	------

64580/PR

Miscelatore lavello girevole.

Sink swivel mixer.



ARTICOLO COMPLETO / COMPLETE ITEM

64580CRCRPR
CRCR

64580NSNSPR
NSNS

64580NENEPR
NENE/BIBI/BUBU/ONON

64580ORORPR
OROR

Non disponibile in altre finiture. / Not available in other finishes.

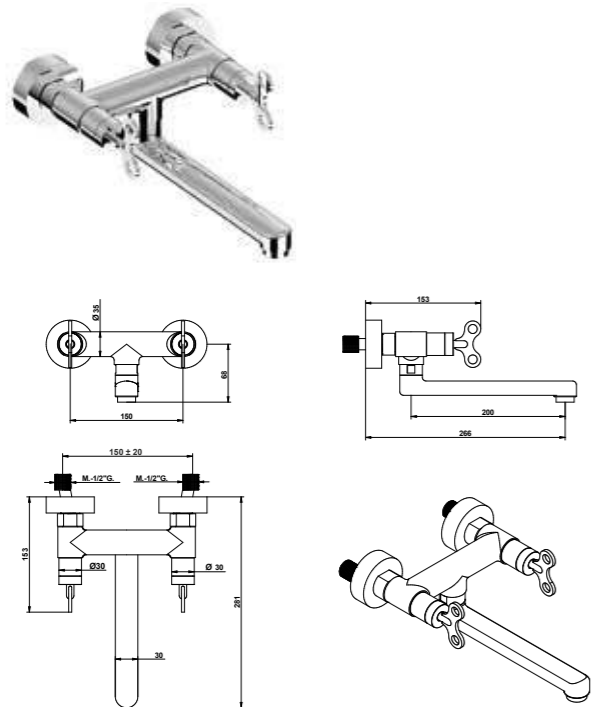
RICAMBI / SPARE PARTS

9870	9983
------	------

63570

Gruppo lavello a parete con bocca girevole.

Wall kitchen mixer with swivel spout.



ARTICOLO COMPLETO / COMPLETE ITEM

63570CRCR
CRCR

63570NSNS
NSNS

63570NSHC
NSHC/BIHC/NEHC

Non disponibile in altre finiture. / Not available in other finishes.

RICAMBI / SPARE PARTS

9792 *	9792 □
--------	--------

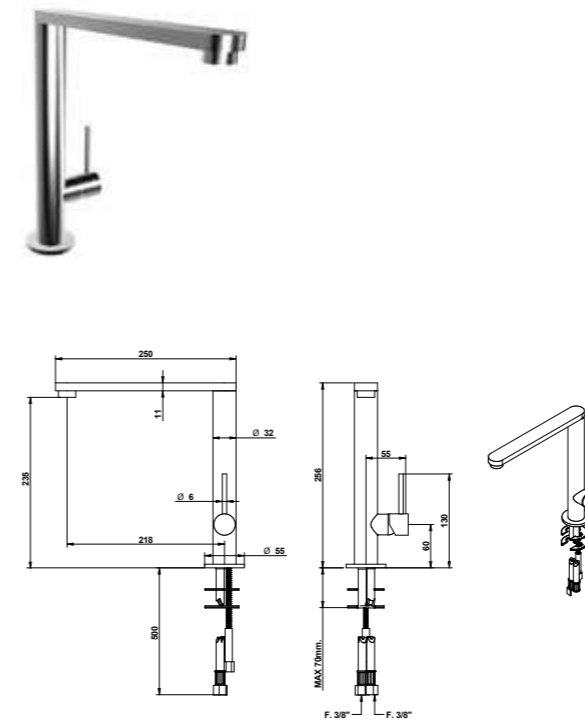
9998CR

* Calda / Hot
□ Fredda / Cold

08680 NEW

Miscelatore lavello cucina con bocca girevole.

Sink mixer with swivel spout.



ARTICOLO COMPLETO / COMPLETE ITEM

08680CROO
CR

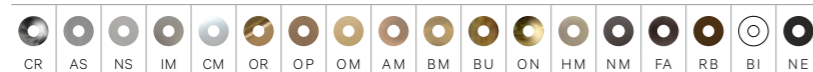
08680NS00
NS

Non disponibile in altre finiture. / Not available in other finishes.

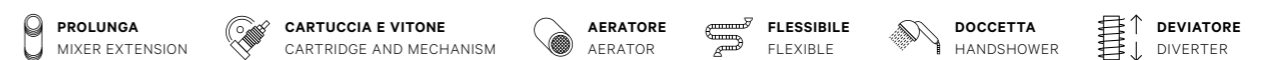
RICAMBI / SPARE PARTS

9863	9998CR00
------	----------

FINITURE E COLORI / FINISHES AND COLOURS



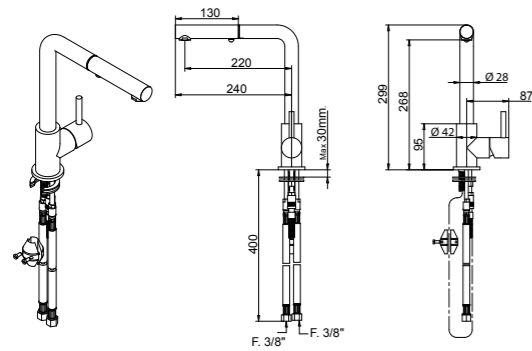
ACCESSORI E RICAMBI / ACCESSORIES AND SPARE PARTS



32481/PR

Miscelatore lavello con bocca girevole, doccetta estraibile con doppio getto.

Sink mixer with swivel spout, extractable handshower with double jet.



ARTICOLO COMPLETO / COMPLETE ITEM

32481CRPR
CR

32481NSPR*
NS/NE/BI

32481BUPR
BU/ON

32481ORPR
OR/OP

32481XXPR □
XX

* Nelle varianti colore verniciate e satinare alcuni particolari saranno in finitura galvanica per garantire gli standard qualitativi. / To assure our quality standard on colored product, some details remain in chrome.
□ XX: Per tutte le altre finiture fattibili riferirsi a questa fascia di prezzo. / Refer to this line of price for all other realizable finishes.

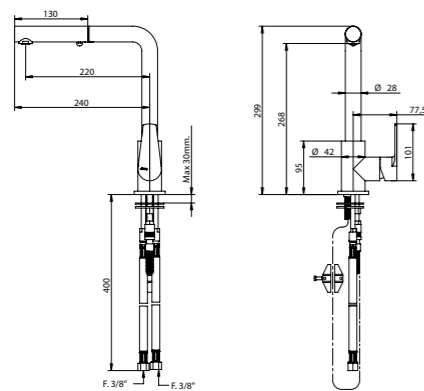
RICAMBI / SPARE PARTS

9838	9973
9583CR	32481CRDO

07481/PR

Miscelatore lavello con bocca girevole e doccetta estraibile con doppio getto.

Sink mixer with swivel spout and extractable handshower with double jet.



ARTICOLO COMPLETO / COMPLETE ITEM

07481CRPR
CR

07481NEPR*
NE/BI/NS

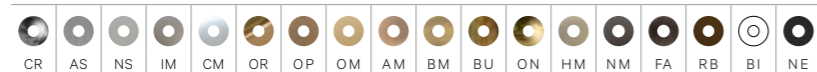
* Nelle varianti colore verniciate e satinare alcuni particolari saranno in finitura galvanica per garantire gli standard qualitativi. / To assure our quality standard on colored product, some details remain in chrome.

Non disponibile in altre finiture. / Not available in other finishes.

RICAMBI / SPARE PARTS

9838	9973
9583CR	32481CRDO

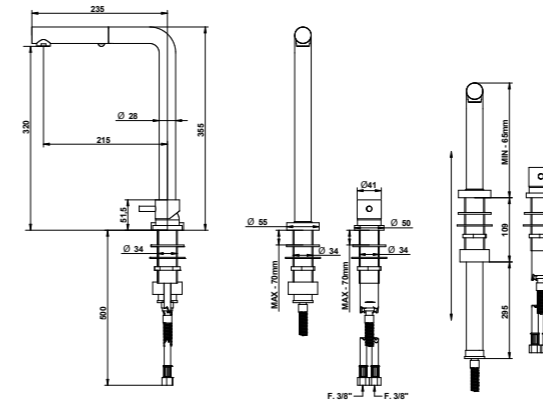
FINITURE E COLORI / FINISHES AND COLOURS



32480 NEW

Miscelatore lavello cucina con bocca girevole, estraibile e telescopico per piano, doccetta doppio getto estraibile.

Sink mixer with extractable swivel spout, extractable double jet handshower.



ARTICOLO COMPLETO / COMPLETE ITEM

32480CR00
CR

32480NS00
NS

Non disponibile in altre finiture. / Not available in other finishes.

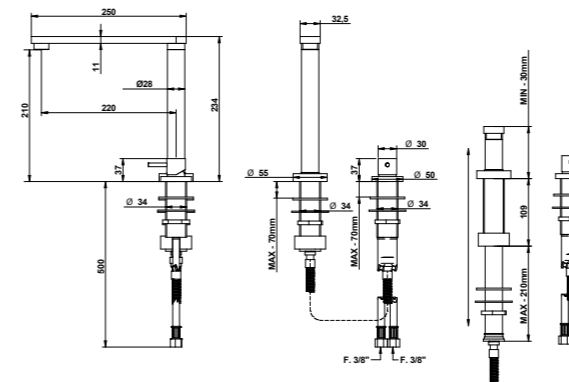
RICAMBI / SPARE PARTS

9863	9973
9583CR00	32481CRDO

08480 NEW

Miscelatore lavello cucina con bocca girevole, estraibile e telescopico per piano.

Sink mixer with extractable swivel spout.



ARTICOLO COMPLETO / COMPLETE ITEM

08480CR00
CR

08480NS00
NS

Non disponibile in altre finiture. / Not available in other finishes.

RICAMBI / SPARE PARTS

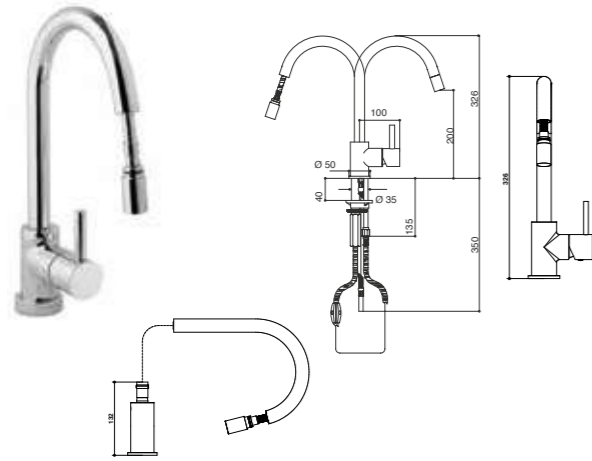
9863	9998CR00
------	----------

ACCESSORI E RICAMBI / ACCESSORIES AND SPARE PARTS



32680

Miscelatore lavello con bocca abbattibile e doccetta estraibile. Single hole kitchen mixer with extractable spout and handshower.



ARTICOLO COMPLETO / COMPLETE ITEM

32680CR00
CR
32680NS00
NS

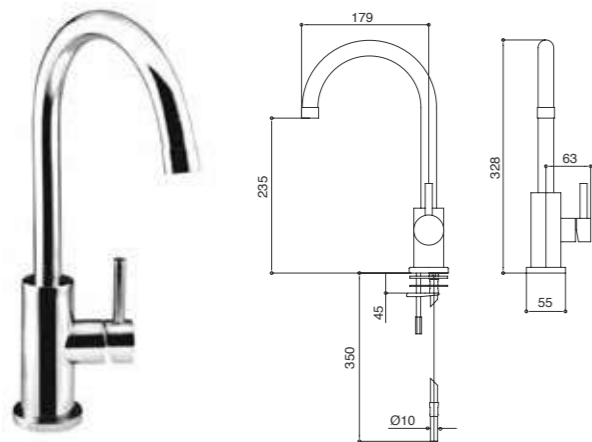
Non disponibile in altre finiture. / Not available in other finishes.

RICAMBI / SPARE PARTS

	9813		9994CR
	00354CR		

32580/PR

Miscelatore lavello con bocca girevole. Single hole kitchen mixer with swivel spout.



ARTICOLO COMPLETO / COMPLETE ITEM

32580CRPR
CR
32580ONPR
ON
32580NSPR
NS
32580NEPR
NE/BI/RB/BU
32580ORPR
OR/BM
32580XXPR *
XX

* XX: Per tutte le altre finiture fattibili riferirsi a questa fascia di prezzo. / Refer to this line of price for all other realizable finishes.

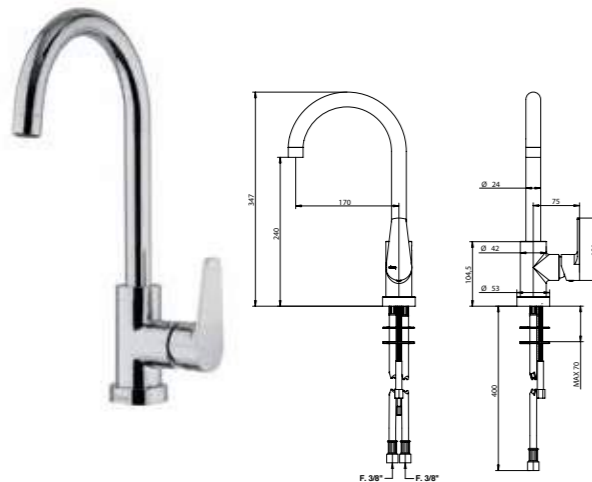
Non disponibile in CM - IM - NM - HM - OM - AM / Not available CM - IM - NM - HM - OM - AM

RICAMBI / SPARE PARTS

	9838		9999CR
--	------	--	--------

07580/PR

Miscelatore lavello con bocca girevole. Sink mixer with swivel spout.



ARTICOLO COMPLETO / COMPLETE ITEM

07580CRPR
CR
07580NSPR
NS
07580NEPR
NE/BI

Non disponibile in altre finiture. / Not available in other finishes.

RICAMBI / SPARE PARTS

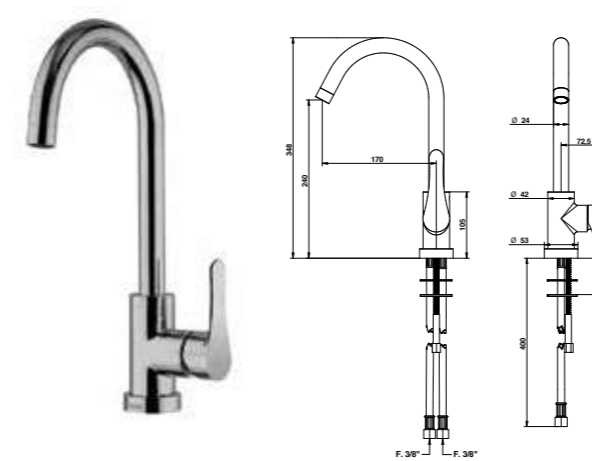
	9838		9999CR
--	------	--	--------

FINITURE E COLORI / FINISHES AND COLOURS



14580/PR

Miscelatore lavello con bocca girevole. Sink mixer with swivel spout.



ARTICOLO COMPLETO / COMPLETE ITEM

14580CRPR
CR
14580NSPR
NS
14580NEPR
NE/BI

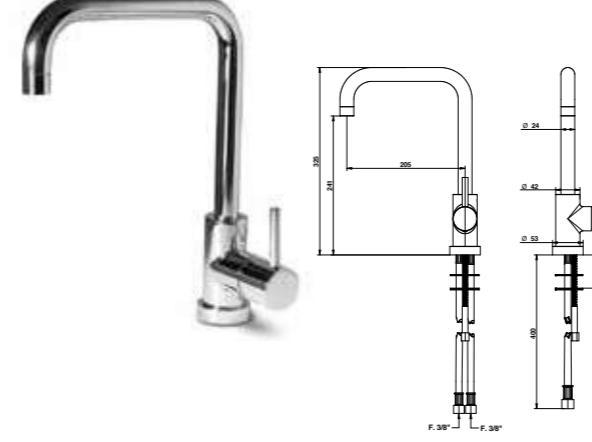
Non disponibile in altre finiture. / Not available in other finishes.

RICAMBI / SPARE PARTS

	9838		9999CR
--	------	--	--------

32482/PR

Miscelatore lavello con bocca girevole. Sink mixer with swivel spout.



ARTICOLO COMPLETO / COMPLETE ITEM

32482CRPR
CR
32482NSPR
NS
32482NEPR
NE/BI
32482XXPR *
XX

* XX: Per tutte le altre finiture fattibili riferirsi a questa fascia di prezzo. / Refer to this line of price for all other realizable finishes.

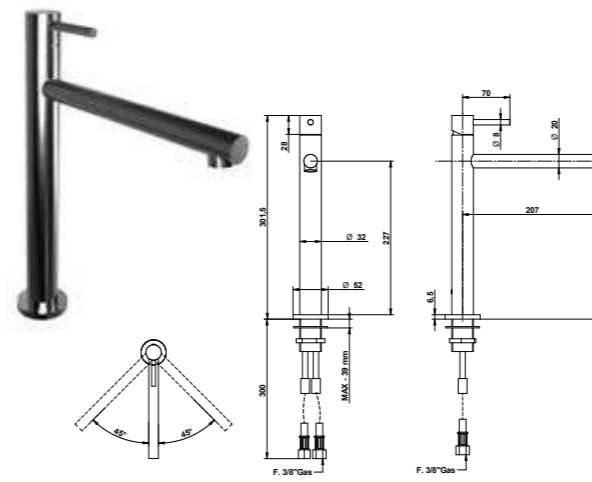
Non disponibile in CM - IM - NM - HM - OM - AM / Not available CM - IM - NM - HM - OM - AM

RICAMBI / SPARE PARTS

	9838		9999CR
--	------	--	--------

32280/PR

Miscelatore lavello girevole. Single hole kitchen swivel mixer.



ARTICOLO COMPLETO / COMPLETE ITEM

32280CRPR
CR

Non disponibile in altre finiture. / Not available in other finishes.

RICAMBI / SPARE PARTS

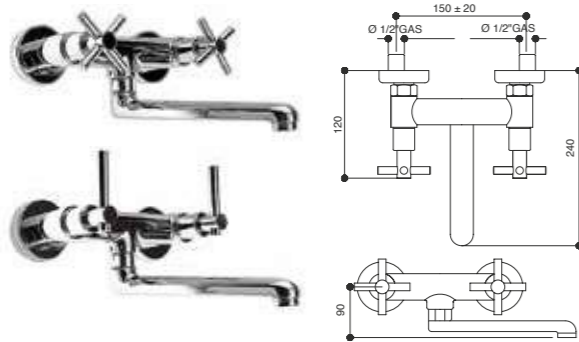
	9818		9989CR
--	------	--	--------

ACCESSORI E RICAMBI / ACCESSORIES AND SPARE PARTS



30570 - 31570 - 42570

Gruppo lavello a parete con bocca girevole. Wall kitchen mixer with swivel spout.



ARTICOLO COMPLETO / COMPLETE ITEM

30570CR00 - 31570CR00
CR

42570CR00
CR

30570NS00 - 31570NS00
NS/NE/RB/ON/BU

42570NS00
NS/NE/RB/ON

30570XX00 - 30570XX00 *
XX

42570XX00 *
XX

* XX: Per tutte le altre finiture fattibili riferirsi a questa fascia di prezzo. / Refer to this line of price for all other realizable finishes.

Non disponibile in CM - IM - HM - NM - OM - AM - TT / Not available CM - IM - HM - NM - OM - AM - TT

RICAMBI / SPARE PARTS

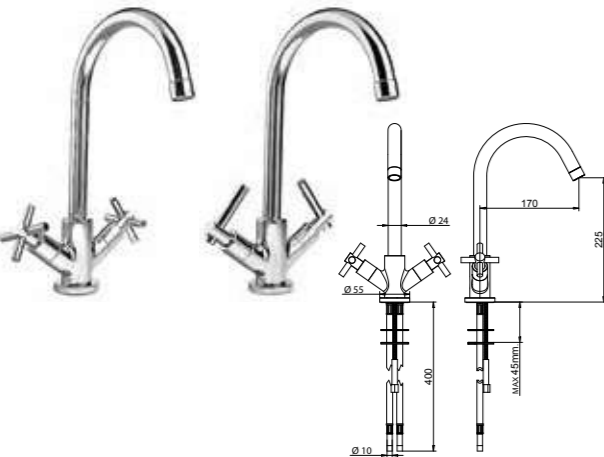
	9792 *		9792 □
--	---------------	--	---------------

9998CR |

* Calda / Hot
□ Fredda / Cold

30580 - 31580

Monoforo lavello con bocca girevole. Single hole kitchen mixer with swivel spout.



ARTICOLO COMPLETO / COMPLETE ITEM

30580CR00
CR

30580ON00
ON/BU

30580NS00
NS/NE/BI/RB

30580OR00
OR/OP/BM

30580XX00 *
XX

* XX: Per tutte le altre finiture fattibili riferirsi a questa fascia di prezzo. / Refer to this line of price for all other realizable finishes.

RICAMBI / SPARE PARTS

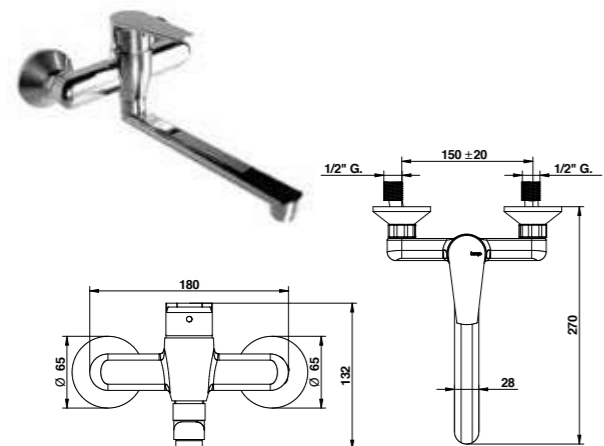
	9792 *		9791 □
--	---------------	--	---------------

9999CR |

* Calda / Hot
□ Fredda / Cold

07570/PR

Miscelatore lavello a parete con bocca girevole. Wall sink mixer with swivel spout.



ARTICOLO COMPLETO / COMPLETE ITEM

07570CRPR
CR

07570NSPR
NS

Non disponibile in altre finiture. / Not available in other finishes.

RICAMBI / SPARE PARTS

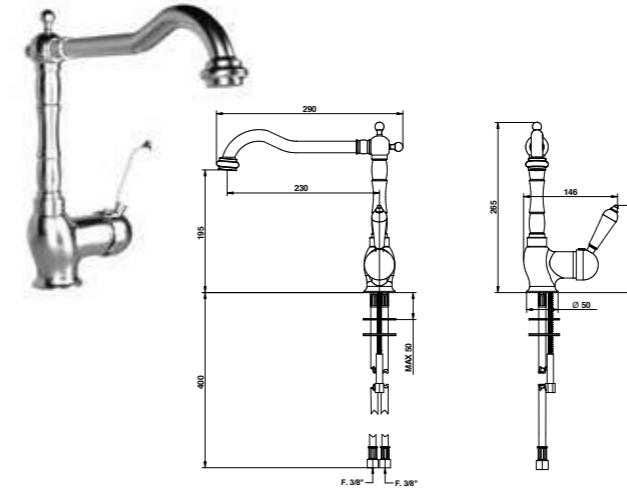
	9813		9998CR
--	-------------	--	---------------

FINITURE E COLORI / FINISHES AND COLOURS



10580

Miscelatore lavello con bocca girevole. Sink mixer with swivel spout.



ARTICOLO COMPLETO / COMPLETE ITEM

10580CR00
CR

10580OR00
OR/OP

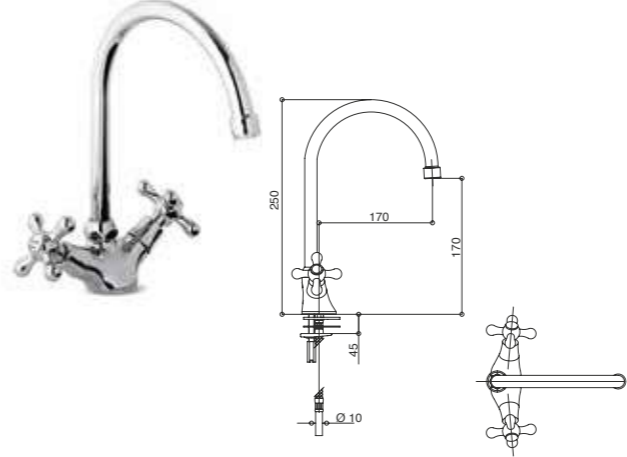
Non disponibile in altre finiture. / Not available in other finishes.

RICAMBI / SPARE PARTS

	9813		9375CR
--	-------------	--	---------------

15580

Monoforo lavello con bocca girevole. Single hole kitchen mixer with swivel spout.



ARTICOLO COMPLETO / COMPLETE ITEM

15580CR00
CR

15580BU00
BU/ON/NS

15580OR00
OR/BM/OP

Non disponibile in altre finiture. / Not available in other finishes.

RICAMBI / SPARE PARTS

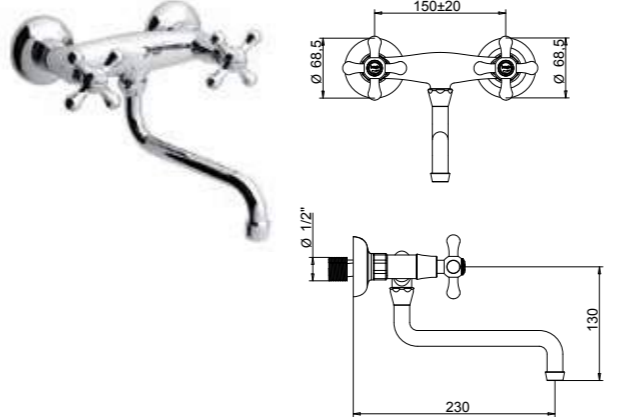
	9792 *		9791 □
--	---------------	--	---------------

9996CR |

* Calda / Hot
□ Fredda / Cold

15570

Gruppo lavello a parete con bocca girevole. Wall kitchen mixer with swivel spout.



ARTICOLO COMPLETO / COMPLETE ITEM

15570CR00
CR

15570BM00
BM

15570FA00
FA/OR

15570XX00 *
XX

* XX: Per tutte le altre finiture fattibili riferirsi a questa fascia di prezzo. / Refer to this line of price for all other realizable finishes.

Non disponibile in HM - AM - OM - CM - IM / Not available HM - AM - OM - CM - IM

RICAMBI / SPARE PARTS

	9792 *		9792 □
--	---------------	--	---------------

9996CR |

* Calda / Hot
□ Fredda / Cold

ACCESSORI E RICAMBI / ACCESSORIES AND SPARE PARTS



WELLNESS

PAG. 966

SOFFIONI / SHOWER HEAD

SOFFIONI A SOFFITTO E MULTIFUNZIONE
CEILING SHOWERS AND MULTIFUNCTION

SOFFIONI A PARETE, CASCATE E MULTIFUNZIONE
WALL SHOWER HEADS, WATERFALL AND MULTIFUNCTION

SOFFIONI A BRACCIO
SHOWER HEADS FOR ARM

BRACCI DOCCIA
SHOWER ARMS

BODY JET
BODY JET

PAG. 1018

COLONNE DOCCIA / SHOWER COLUMNS

PAG. 1036

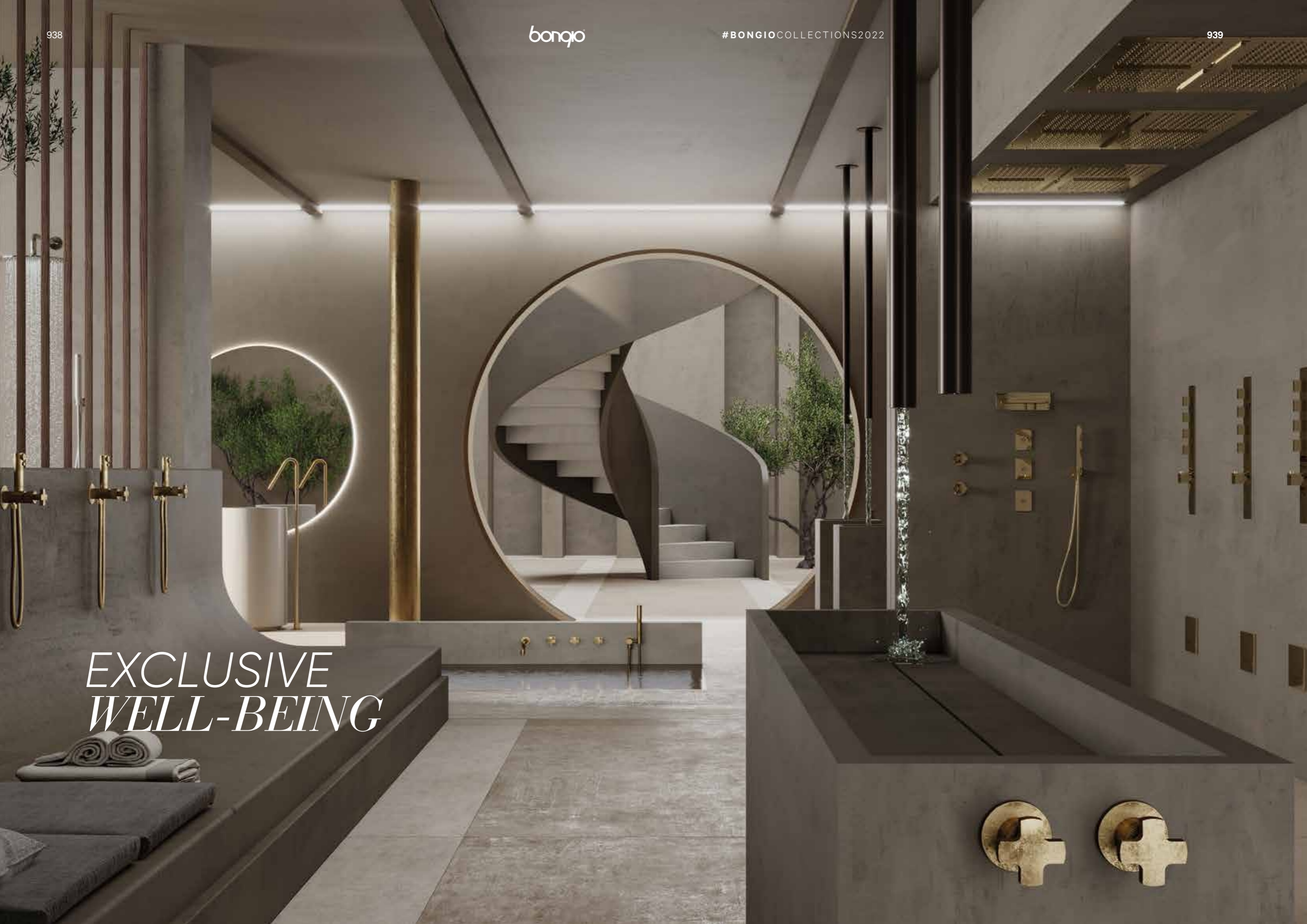
SALISCENDI, SET DOCCIA DUPLEX, PRESE ACQUA
SLIDING RAIL, DUPLEX SHOWER SET, WATER SUPPLY

PAG. 1066

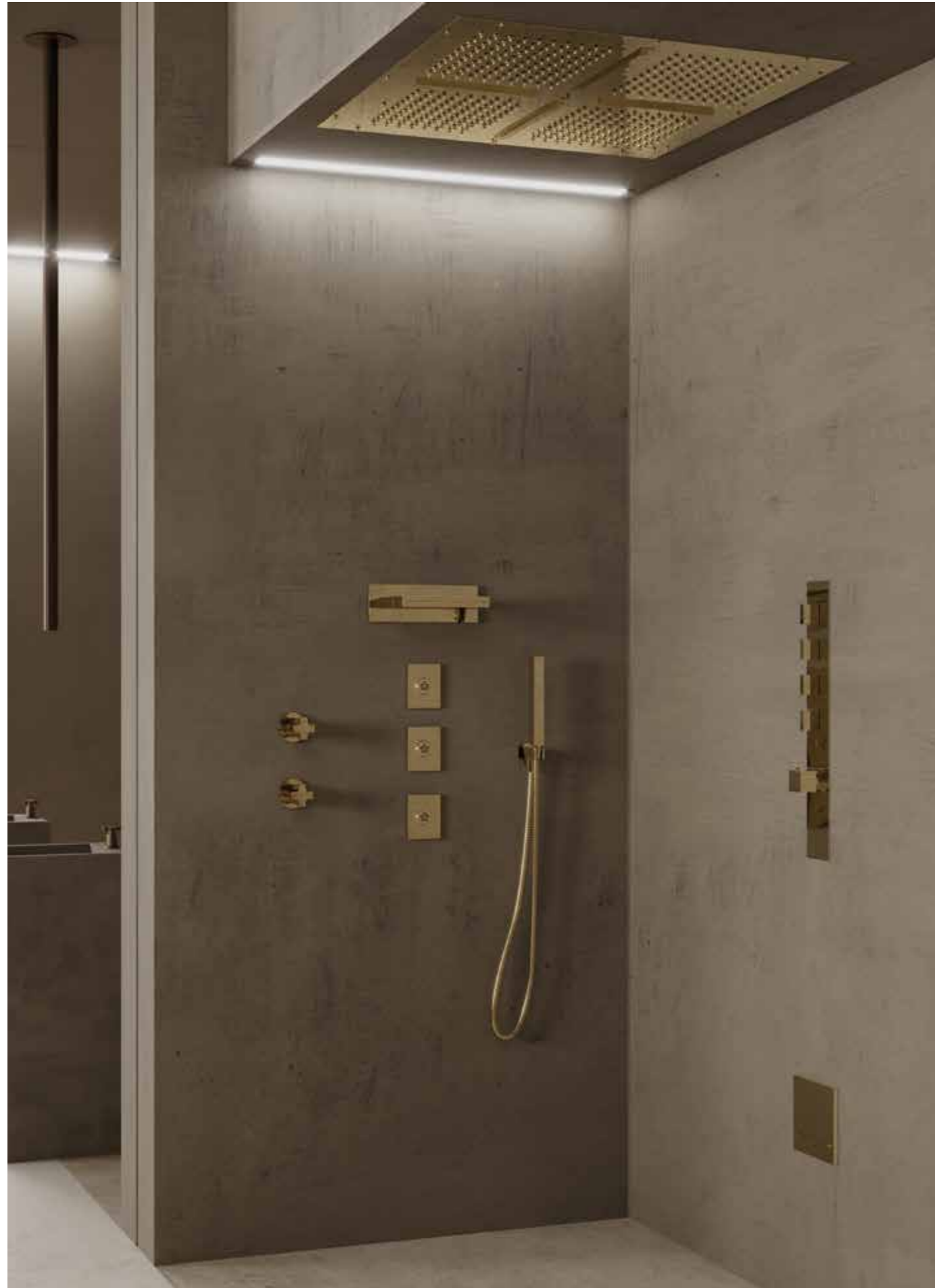
SET DOCCIA BIDET E IDROSCOPINO
SHATTAF AND HYDROBRUSHED TOILET SET

PAG. 1078

MISCELATORI, DEVIATORI E PROGETTI DOCCIA
MIXER, DIVERTER AND SHOWER PROJECT



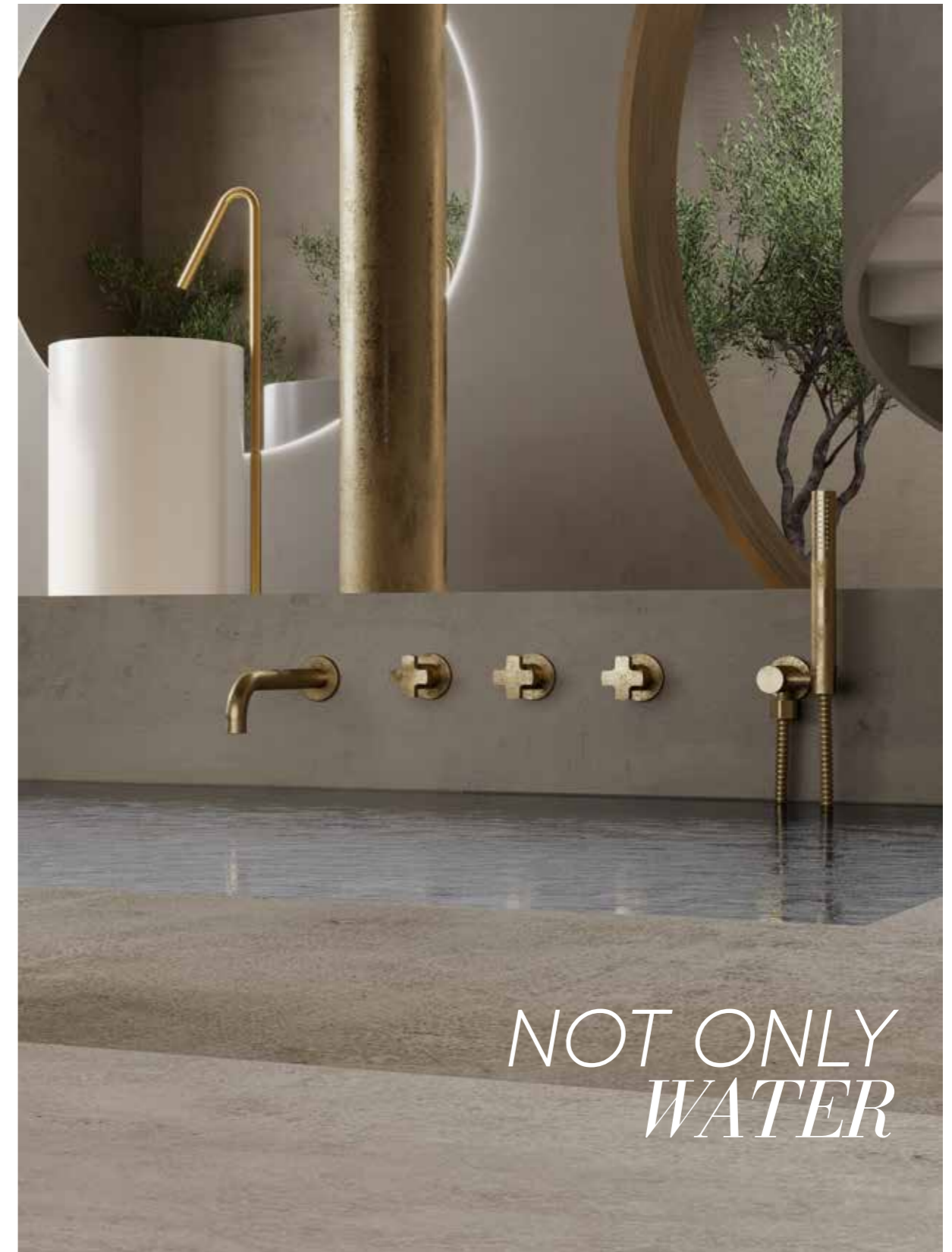
*EXCLUSIVE
WELL-BEING*



DOCCIA / SHOWER
 Art. 8880P88
 Art. 8900POT
 Art. 42324OPRP
 Art. 42556OP03
 Art. 8670PIQOT
 Art. 43542OP04DA
 Art. 8340PB1
 Art. 006910P0Q
 Art. 977RB0R

VASCA / WASHBASIN
 Art. 42430BU0D

LAVABO / WASHBASIN
 Art. 9850P70

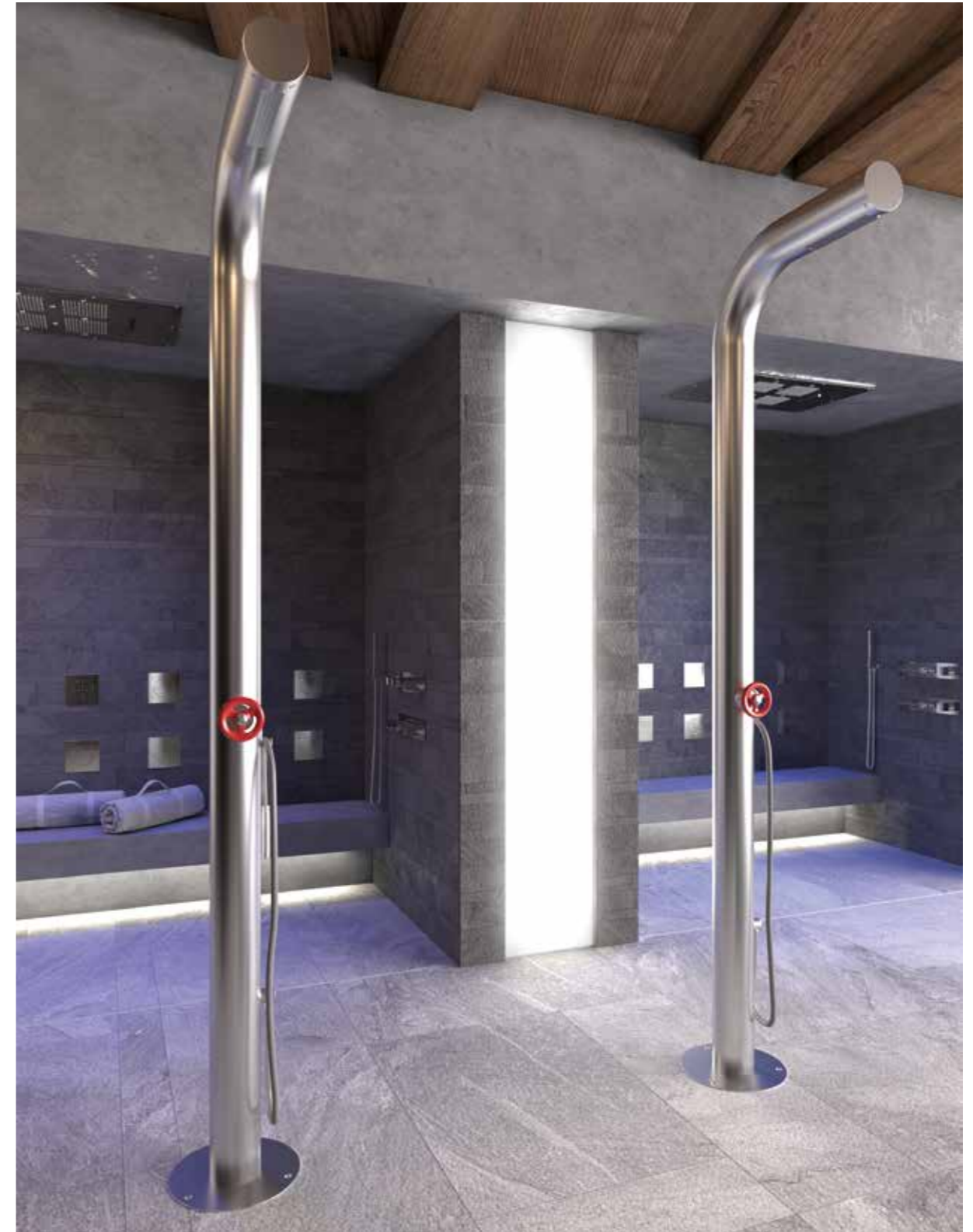


NOT ONLY
 WATER





Art. 70977/M
Time2020 Collection
Bocca a soffitto
Ceiling spot



COLONNA DOCCIA
SHOWER COLUMN

Art. 32131ASRS
Colonna doccia in acciaio 316
316 stainless steel shower column

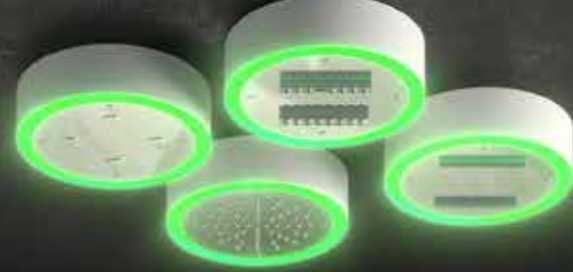
DOCCIA CROMOTERAPIA
CHROMOTHERAPY SHOWER

Art. 888CRC8
Soffione cromoterapia
multifunzione
Multifunctional chromotherapy
ceiling shower

2x Art. 43542CR03
Termostatico multifunzione
Multifunctional thermostatic

6x Art. 00867CRNO
Bodyjet

Art. 00830CR0EPR
Duplex



Art. 788BICN
 Art. 788BICP
 Art. 788BICT
 Art. 788BICW
 Art. 788RBSCAT

Art. 867RBIROT
 Art. 32542RB04
 Art. 40500RBRB0REU
 Art. 915RB + 9600NEPV + 750RB
 Art. 64634RBRB0DPREU



Art. 788BICP
 Art. 788BIBR
 Art. 830BIB1
 Art. 82524PLWMPREU
 Art. 788BISCAT
 Art. 82534PLWMODEU



THE
 PLEASURE OF
 CHROMO
 THERAPY

Art. 40554OPOR
 Art. 40498OPOR
 Art. 00867OPNR
 Art. 00790OPPR
 Art. 00830OP00



Art. 32542CR04
 Art. 00834CROEPR
 Art. 00888CRC5

REVITALIZE YOUR SENSES



LAVABO / WASHBASIN
Art. 68439RSPR

**COLONNA DOCCIA /
SHOWER COLUMN**
Art. 32131BIRS

DOCCIA / SHOWER
Art. 68524BIPR
Art. 00936BI03
Art. 00888CRC3
Art. 00893CRO0

ARREDI / FURNITURE
Art. 00067RS00
Art. 30007RS40
Art. DR201NE00
Art. DR200NE00
Art. SI306BI20

**LAVABO DA TERRA /
FREE STANDING WASHBASIN**
Art. 68533BIPR



LAVABO / WASHBASIN
Art. 68439RSPR

ARREDI / FURNITURE
Art. 30007RS40
Art. 30023RS





Art. 788NEOP
 Art. 788NEOW
 Art. 730NE00
 Art. 40554NENEOR
 Art. 38500NEAMEU
 Art. 691NEOR



DOCCIA / SHOWER
 Art. 82500NECR
 Art. 40554NENEOR
 Art. 788NEOW
 Art. 788NEOP
 Art. 70832NE00

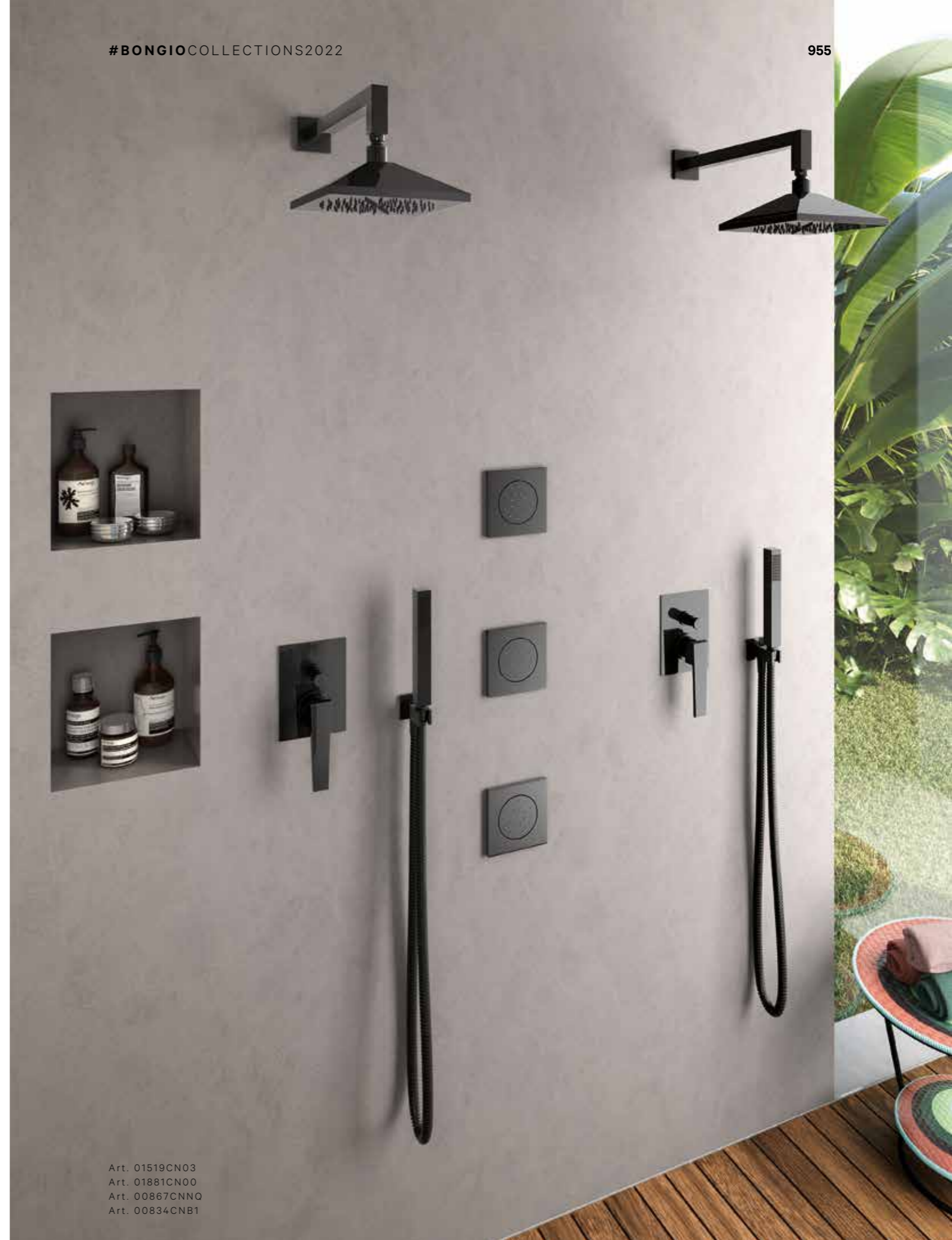
LAVABO / WASHBASIN
 Art. 82570NECR

ACCESSORI / ACCESSORIES
 Art. 82001NECR



*REFRESHING
RAINFALL*

Art. 00888CR64

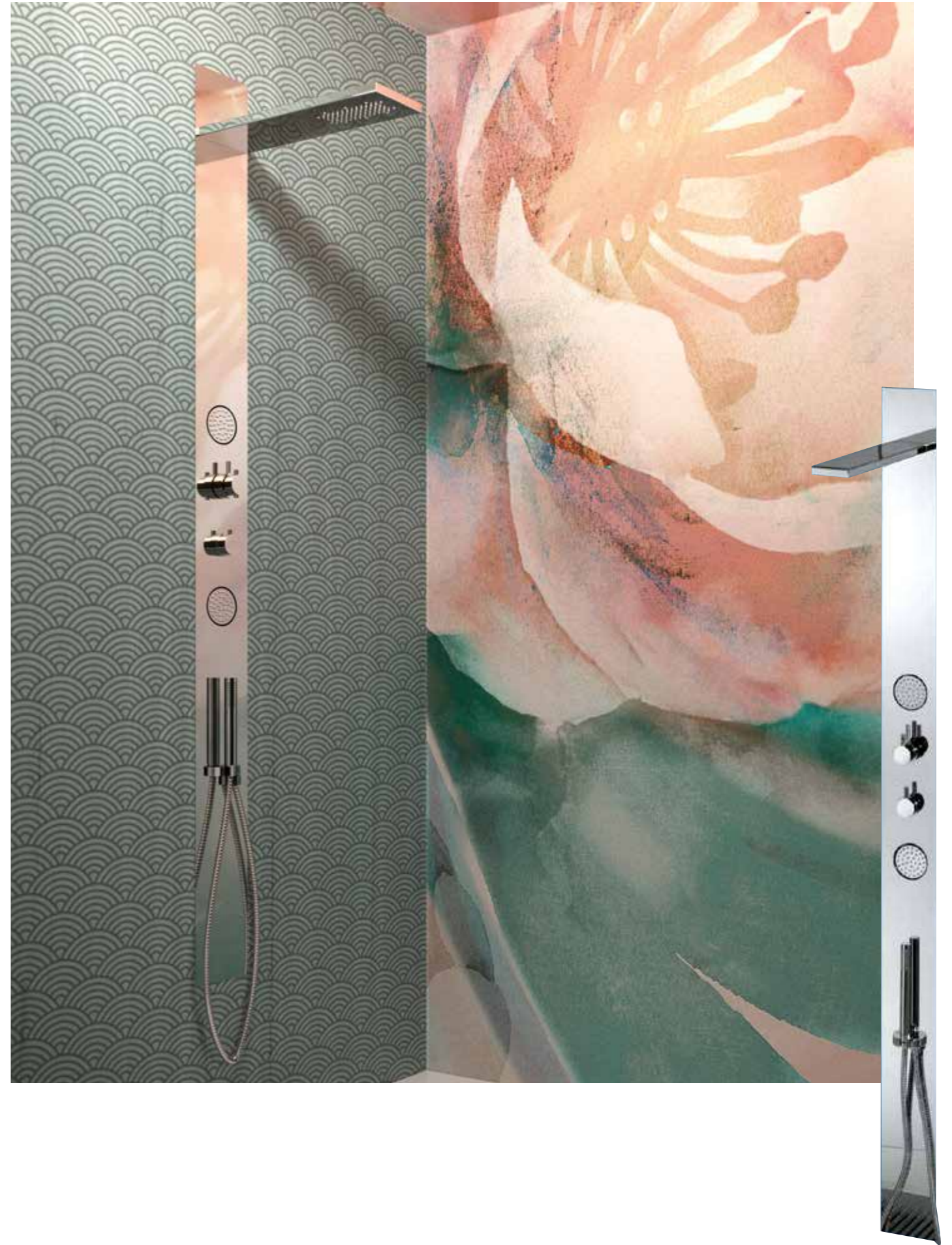


Art. 01519CN03
 Art. 01881CN00
 Art. 00867CNNO
 Art. 00834CNB1



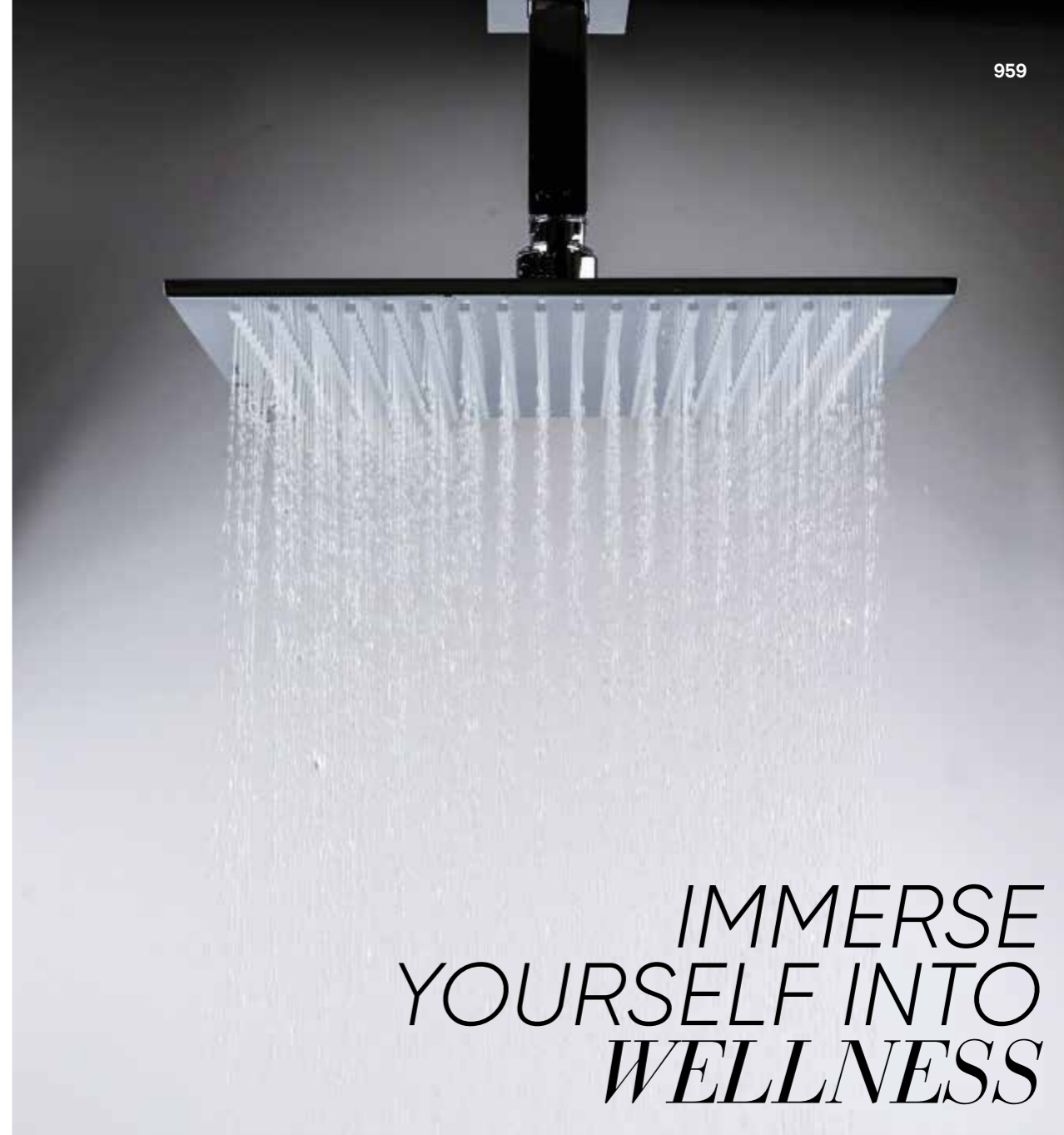
*IN&OUT
WELLNESS*

Art. 70131AS0D





Art. 32557CRRDPR



IMMERSE
YOURSELF INTO
WELLNESS

Art. 00879CR00



Art. 00860CR00



TATTOO
INSPIRATION

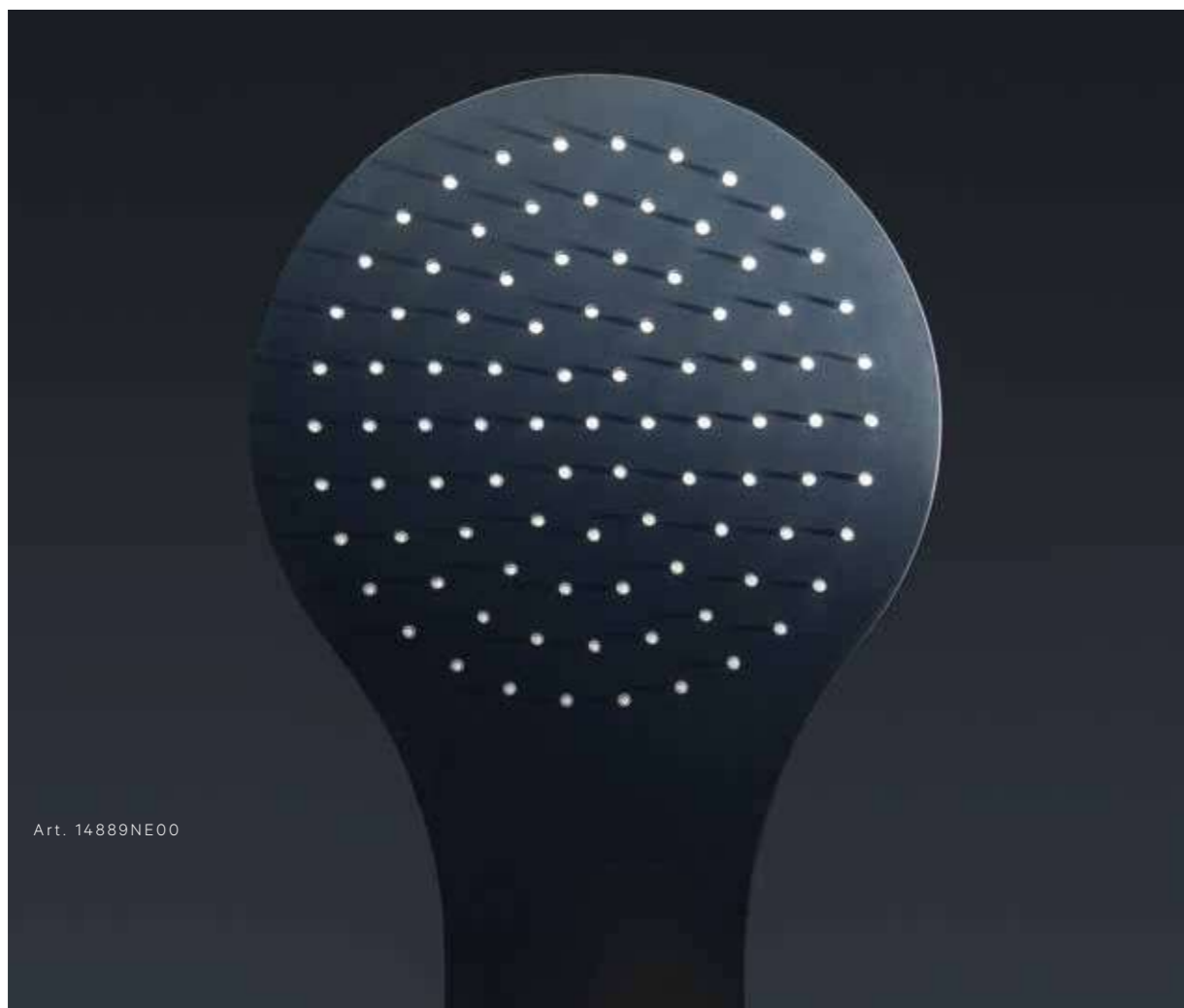
Art. 00889TTLU13



PERSONALIZE
YOUR RELAX

2x Art. 38500NENS
Art. 38915NENS
Art. SW880NEME

Art. 14889NE00



COMFORT
FUNCTIONALITY
AND DESIGN



Art. 70871AS



Art. 70832NE00



DOCCIA / SHOWER
 Art. 00882TT00
 Art. 00804TT15PR
 Art. 68524TTPR
 Art. 00866TTOR



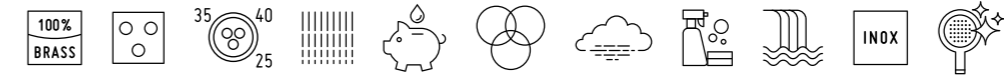
INFORMAZIONI TECNICHE

Technical details

SOFFIONI / SHOWER HEAD



COLONNE DOCCIA / SHOWER COLUMNS



NOTA FINITURE FA / TT: I prodotti nelle finiture Ferro Antico (FA) e Terra di Toscana (TT) vengono realizzati con trattamenti manuali e, data la particolare lavorazione artigianale, possono presentare una colorazione non uniforme.

FINISHES NOTE FA / TT: Products in Ferro Antico (FA) and Terra di Toscana (TT) finish are made with manual treatments and may therefore display colour variations due to the particular craftsmanship.

FINITURE E COLORI / FINISHES AND COLOURS

DETTAGLI / MORE INFO PAG. 38



CR
Cromo
Chrome



CN
Cromo Nero
Black Chrome



AS
Acciaio Spazzolato
Brushed Steel



NS
Nichel Spazzolato
Brushed Nickel



PL
Platinum



TT
Terra di Toscana
Tuscany Bronze



FA
Ferro Antico
Old Iron



OR
Oro 24kt
24kt Gold



OP
Oro Spazzolato 24kt
24kt Brushed Gold



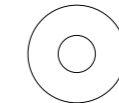
ON
Ottone Naturale
Natural Brass



BU
Ottone Burattato
Hammered Brass



NE
Nero Opaco
Matt Black



BI
Bianco Opaco
Matt White



RS
Rosso
Red



CM
Cromo Satinato
Matt Chrome



NM
Cromo Nero Satinato
Matt Black Chrome



IM
Nichel Satinato
Matt Nickel



HM
Oro Francese Satinato
Matt French Gold



OM
Oro Satinato
Matt Gold



AM
Oro Rosa Satinato
Matt Rose Gold



BM
Bronzo Opaco
Matt Bronze

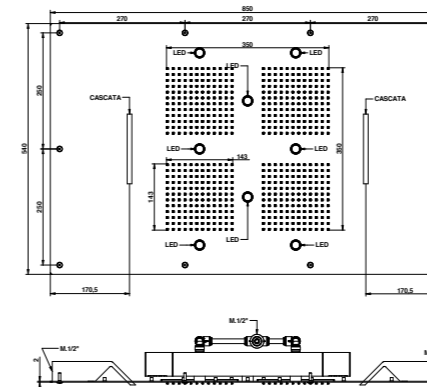
SOFFIONI A SOFFITTO E MULTIFUNZIONE CEILING SHOWERS AND MULTIFUNCTION



888/C8 CROMOTERAPIA/CHROMOTHERAPY

Soffione doccia rettangolare incasso a soffitto 850x540 mm in acciaio con funzione pioggia, doppia cascata e cromoterapia con touch control per attivazione cromoterapia. Da installare in abbinamento ad un miscelatore con capacità di erogare almeno 32 lt/min. Si raccomanda inoltre uno scarico adeguato alla portata dei soffioni doccia.

850x400 mms. Steel rectangular ceiling shower head with rain, double water fall and chromotherapy function with touch control for chromotherapy activation. To be installed together with a mixer with a minimum flow rate of 32 lt/min. It has suggested to use an sdequate drain considering the flow rate of the shower head.



ARTICOLO COMPLETO / COMPLETE ITEM

888C8CR

Sistema anticalcare Fast Clean. Pressione dinamica minima di utilizzo 1 bar. Portata a pressione dinamica: uscita pioggia con limitatore 3 bar - 18 l/min, uscita cascata senza limitatore 3 bar - 17,3 l/min. / Fast Clean shower. Minimum dynamic pressure of use 1 bar. Flow rates at dynamic pressure: rain exit with limitation system 3 bar - 18 l/min, waterfall exit without limitation system 3 bar - 17,3 l/min.

Per questo soffione predisporre 2 uscite acqua (1 per pioggia - 1 per cascata). Le due cascate vengono alimentate da un'erogazione unica. / For this shower head prepare 2 water out lets (1 for rain - 1 for waterfall). A single dispensing feeds the two waterfalls.

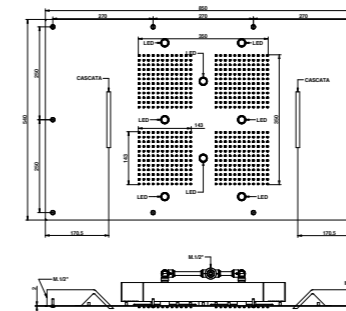
Non disponibile in altre finiture. / Not available in other finishes.

ABBINABILE A / TO MATCH WITH:
Termostatici multifunzione ad alta portata / Multifunctional thermostatic mixers -

888TTC813 CROMOTERAPIA/CHROMOTHERAPY

Soffione doccia rettangolare incasso a soffitto 850x540 mm in acciaio con funzione pioggia, doppia cascata e cromoterapia con touch control per attivazione cromoterapia. Da installare in abbinamento ad un miscelatore con capacità di erogare almeno 32 lt/min. Si raccomanda inoltre uno scarico adeguato alla portata dei soffioni doccia.

850x400 mms. Steel rectangular ceiling shower head with rain, double water fall and chromotherapy function with touch control for chromotherapy activation. To be installed together with a mixer with a minimum flow rate of 32 lt/min. It has suggested to use an sdequate drain considering the flow rate of the shower head.



ARTICOLO COMPLETO / COMPLETE ITEM

0088TTC813

Sistema anticalcare Fast Clean. Pressione dinamica minima di utilizzo 3 bar. Portata a pressione dinamica: uscita pioggia con limitatore 3 bar - 18 l/min, uscita cascata senza limitatore 3 bar - 17,3 l/min. / Fast Clean shower. Minimum dynamic pressure of use 3 bar. Flow rates at dynamic pressure: rain exit with limitation system 3 bar - 18 l/min, waterfall exit without limitation system 3 bar - 17,3 l/min.

Per questo soffione predisporre 2 uscite acqua (1 per pioggia - 1 per cascata). / For this shower head prepare 2 water out lets (1 for rain - 1 for waterfall).

Su richiesta stampa personalizzata. / Personalized printing upon request.

GRAFICA / GRAPHIC



TTC813 Explosion

Art. 00888TTC813

Su richiesta stampa personalizzata sui soffioni / Personalized printing on the shower heads upon request

FINITURE E COLORI / FINISHES AND COLOURS

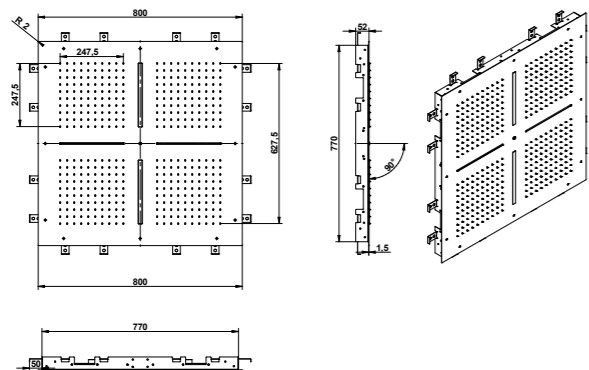


Schema di portata e istruzioni di installazione su richiesta o sul sito www.bongio.com
Flow chart and installation instructions on request or on the website www.bongio.com

888/C88

Soffione doccia quadrato incasso a soffitto 800x800 mm in acciaio, 4 piogge, 2 cascate e cromoterapia. Con sistema touch control per attivazione cromoterapia.

800x800 mms steel square ceiling showerhead with 4 rains, 2 waterfall. With touch control for chromotherapy activation.



ARTICOLO COMPLETO / COMPLETE ITEM

888CRC88
CR

888ASC88
AS

888BIC88
BI/NE

888ORC88
OR

Sistema anticalcare Fast Clean. Pressione dinamica minima di utilizzo 1 bar. Portata a pressione dinamica: uscita pioggia con limitatore 3 bar - 18 l/min, uscita cascata senza limitatore 3 bar - 17,3 l/min. / Fast Clean shower. Minimum dynamic pressure of use 1 bar. Flow rates at dynamic pressure: rain exit with limitation system 3 bar - 18 l/min, waterfall exit without limitation system 3 bar - 17,3 l/min.

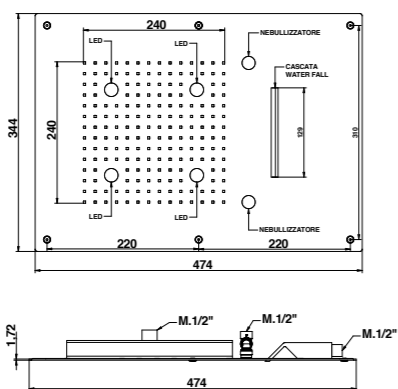
Per questo soffione predisporre 3 uscite acqua (2 per pioggia - 1 per cascata). Le due cascate vengono alimentate da un'erogazione unica. / For this shower head prepare 3 water out lets (2 for rain - 1 for waterfall). A single dispensing feeds the two waterfalls.

Non disponibile in altre finiture. / Not available in other finishes.

888/C5 CROMOTERAPIA/CHROMOTHERAPY

Soffione doccia rettangolare incasso a soffitto 474x344 mm in acciaio con funzione pioggia, cascata, nebulizzazione e cromoterapia con touch control per attivazione cromoterapia.

474x344 mms. steel rectangular ceiling shower head with rain, waterfall, nebulization and chromotherapy function with touch control for chromotherapy activation.



ARTICOLO COMPLETO / COMPLETE ITEM

888CRC5
CR

888ASC5
AS

888NEC5
NE/BI

888ORC5
OR/OP

Sistema anticalcare Fast Clean. Pressione dinamica minima di utilizzo 1 bar. Portata a pressione dinamica: uscita pioggia con limitatore 3 bar - 14 l/min, uscita cascata senza limitatore 3 bar - 17 l/min. / Fast Clean shower. Minimum dynamic pressure of use 1 bar. Flow rates at dynamic pressure: rain exit with limitation system 3 bar - 14 l/min, waterfall exit without limitation system 3 bar - 17 l/min.

Per questo soffione predisporre 3 uscite acqua (1 per pioggia - 1 per cascata - 1 per nebulizzazione). / For this shower head prepare 3 water out lets (1 for rain - 1 for waterfall - 1 for nebulizer jet).

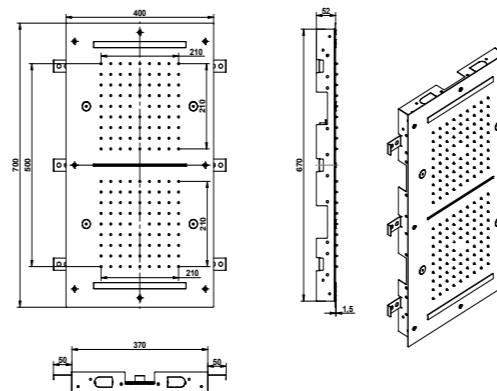
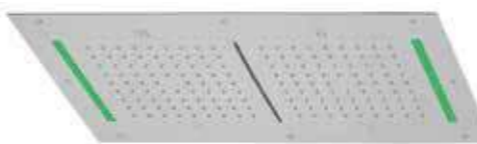
Non disponibile in altre finiture. / Not available in other finishes.

ABBINABILE A / TO MATCH WITH:
Termostatici multifunzione ad alta portata / Multifunctional thermostatic mixers -

888/C74 CROMOTERAPIA/CHROMOTHERAPY

Soffione doccia rettangolare incasso a soffitto 700x400 mm, 2 piogge, nebulizzazione, cascata e cromoterapia con attivazione touch control.

700x400 mms steel rectangular ceiling shower head with 2 rains, nebulizer, waterfall and touch control for chromotherapy.



ARTICOLO COMPLETO / COMPLETE ITEM

888CRC74
CR

888ASC74
AS

888NEC74
NE/BI

888ORC74
OR/BM

888OPC74
OP

Sistema anticalcare Fast Clean. Pressione dinamica minima di utilizzo 1 bar. Portata a pressione dinamica: uscita pioggia con limitatore 1-5 bar - 9 l/min, uscita cascata senza limitatore 3 bar - 14,4 l/min, nebulizzazione 3 bar - 7,8 l/min. / Fast Clean shower. Minimum dynamic pressure of use 1 bar. Flow rates at dynamic pressure: rain exit with limitation system 1-5 bar - 9 l/min, waterfall exit without limitation system 3 bar - 14,4 l/min, nebulizer jet 3 bar - 7,8 l/min.

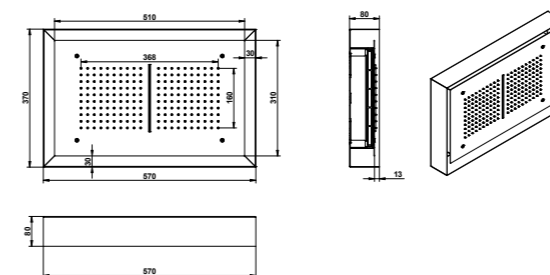
Per questo soffione predisporre 3 uscite acqua (1 per pioggia - 1 per cascata - 1 per nebulizzazione). / For this shower head prepare 3 water out lets (1 for rain - 1 for waterfall - 1 for nebulizer jet).

Non disponibile in altre finiture. / Not available in other finishes.

888/C53 CROMOTERAPIA/CHROMOTHERAPY

Soffione a soffitto con struttura esterna in acciaio bianco 570x370 mm con luce LED RGB, cromoterapia integrata, funzione pioggia e cascata.

570x370 ceiling shower whit external structure in white steel with RGB LED LIGHT chromotherapy, rain function and waterfall.



ARTICOLO COMPLETO / COMPLETE ITEM

888CRC53
CR/AS

888NEC53
NE/BI

888ORC53
OR

888OPC53
OP/BM

Sistema anticalcare Fast Clean. Pressione dinamica minima di utilizzo 1 bar. Portata a pressione dinamica: uscita pioggia con limitatore 1-5 bar - 15 l/min, uscita cascata senza limitatore 3 bar - 12,3 l/min. / Fast Clean shower. Minimum dynamic pressure of use 1 bar. Flow rates at dynamic pressure: rain exit with limitation system 1-5 bar - 15 l/min, waterfall exit without limitation system 3 bar - 12,3 l/min.

Per questo soffione predisporre 2 uscite acqua (1 per pioggia - 1 per cascata). / For this shower head prepare 2 water out lets (1 for rain - 1 for waterfall).

Non disponibile in altre finiture. / Not available in other finishes.

FINITURE E COLORI / FINISHES AND COLOURS



Schema di portata e istruzioni di installazione su richiesta o sul sito www.bongio.com
Flow chart and installation instructions on request or on the website www.bongio.com

888/C50 CROMOTERAPIA/CHROMOTHERAPY

Soffione doccia 500x500 mm in acciaio, incasso a soffitto funzione pioggia e cromoterapia con touch control per attivazione cromoterapia. / 500x500 mms. steel square ceiling shower head rain function and chromotherapy with touch control for chromotherapy activation.



ARTICOLO COMPLETO / COMPLETE ITEM

888CRC50
CR

888ASC50
AS

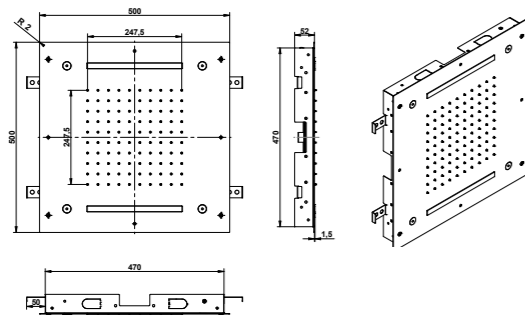
888BIC50
BI/NE

888BMC50
BM

888ORC50
OR

Sistema anticalcare Fast Clean. Pressione dinamica minima di utilizzo 0,5 bar. Portata a pressione dinamica: uscita pioggia con limitatore 1-5 bar - 15 l/min. / Fast Clean shower. Minimum dynamic pressure of use 0,5 bar. Flow rates at dynamic pressure: rain exit with limitation system 1-5 bar - 15 l/min.

Non disponibile in altre finiture. / Not available in other finishes.



888/CL50 CROMOTERAPIA/CHROMOTHERAPY

Soffione doccia 500x500 mm in acciaio, incasso a soffitto, funzione pioggia, cascata, nebulizzazione e cromoterapia con touch control per attivazione cromoterapia. / 500x500 steel square ceiling shower head, with rain, nebulizer, waterfall and chromotherapy function with touch control for chromotherapy activation.



ARTICOLO COMPLETO / COMPLETE ITEM

888CRCL50
CR

888ASCL50
AS

888NECL50
NE/BI

888ORCL50
OR

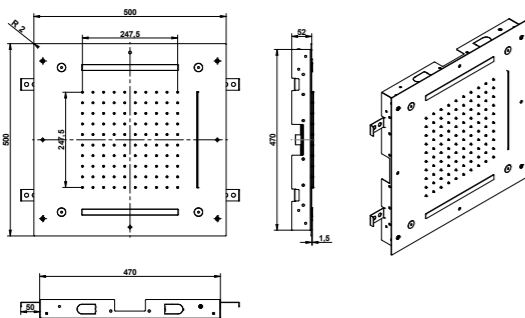
888OPCL50
OP

Sistema anticalcare Fast Clean. Pressione dinamica minima di utilizzo 1 bar. Portata a pressione dinamica: uscita pioggia con limitatore 1-5 bar - 15 l/min, uscita cascata senza limitatore 3 bar - 14 l/min, uscita nebulizzazione 3 bar - 7,8l/min. / Fast Clean shower. Minimum dynamic pressure of use 1 bar. Flow rates at dynamic pressure: rain exit with limitation system 3 bar - 14 l/min, waterfall exit without limitation system 3 bar - 14 l/min, nebulizer jet 3 bar - 7,8l/min.

Per questo soffione predisporre 3 uscite acqua (1 per pioggia - 1 per cascata - 1 per nebulizzazione). / For this shower head prepare 3 water out lets (1 for rain - 1 for waterfall - 1 for nebulizer jet).

Non disponibile in altre finiture. / Not available in other finishes.

ABBINABILE A / TO MATCH WITH:
Termostatici multifunzione ad alta portata / Multifunctional thermostatic mixers -



888/C4QPR CROMOTERAPIA/CHROMOTHERAPY

Soffione doccia 400x400 mm in acciaio, incasso a soffitto funzione pioggia e cromoterapia con touch control per attivazione cromoterapia. / 400x400 mms. steel square ceiling shower head rain function and chromotherapy with touch control for chromotherapy activation.



ARTICOLO COMPLETO / COMPLETE ITEM

888CRC40QPR
CR

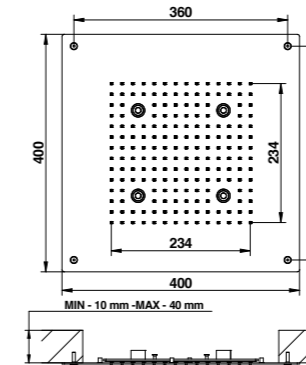
888ASC40QPR
AS

888NEC40QPR
NE

888ORC40QPR
OR

Sistema anticalcare Fast Clean. Pressione dinamica minima di utilizzo 0,5 bar. Portata a pressione dinamica: uscita pioggia con limitatore 3 bar - 14 l/min. / Fast Clean shower. Minimum dynamic pressure of use 0,5 bar. Flow rates at dynamic pressure: rain exit with limitation system 3 bar - 14 l/min.

Non disponibile in altre finiture. / Not available in other finishes.



888/C4RPR CROMOTERAPIA/CHROMOTHERAPY

Soffione doccia tondo in acciaio, incasso a soffitto Ø 400 mm funzione pioggia e cromoterapia con touch control per attivazione cromoterapia. / Ø 400 mms. steel round ceiling shower head rain function and chromotherapy with touch control for chromotherapy activation.



ARTICOLO COMPLETO / COMPLETE ITEM

888CRC40RPR
CR

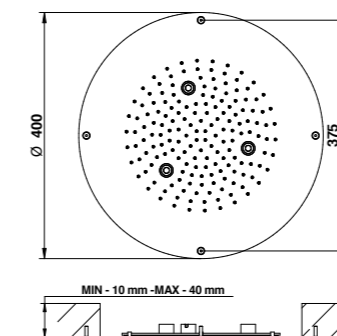
888ASC40RPR
AS

888NEC40RPR
NE

888ORC40RPR
OR

Sistema anticalcare Fast Clean. Pressione dinamica minima di utilizzo 0,5 bar. Portata a pressione dinamica: uscita pioggia con limitatore 3 bar - 14 l/min. / Fast Clean shower. Minimum dynamic pressure of use 0,5 bar. Flow rates at dynamic pressure: rain exit with limitation system 3 bar - 14 l/min.

Non disponibile in altre finiture. / Not available in other finishes.



FINITURE E COLORI / FINISHES AND COLOURS



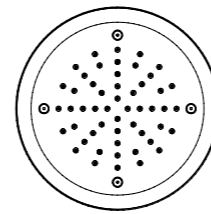
Schema di portata e istruzioni di installazione su richiesta o sul sito www.bongio.com
Flow chart and installation instructions on request or on the website www.bongio.com

NOVITÀ - MINI SOFFIONI MODULARI A SOFFITTO
NEWS - MODULAR MINI CEILING SHOWERHEADS

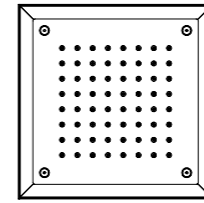


ELEVATO LIVELLO DI PERSONALIZZAZIONE
HIGH LEVEL OF CUSTOMIZATION

DIMENSIONI / SIZES



788
ROUND Ø20cm



787
SQUARE 20X20CM

TIPOLOGIA DI GETTO / SHOWER JETS



Pioggia
Rain



Nebulizzatore
Nebulization



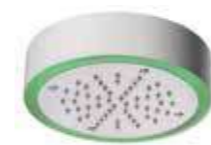
Cascata
Waterfall



Pioggia tropicale
Tropical rain

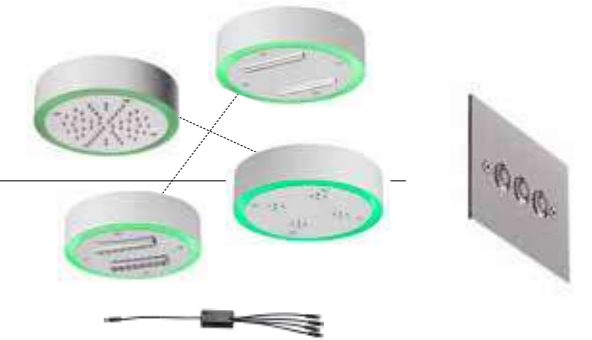
COMPOSIZIONE LIBERA A SOFFITTO
FREE CEILING COMPOSITION

SINGOLO ARTICOLO / SINGLE ITEM



788/SCAT

GRUPPO (MAX 4 ARTICOLI)
GROUP (4 ARTICLES MAX)



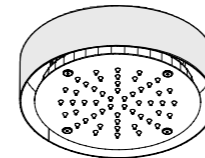
+ **788/SEL**

+ **788/SCAT**

Soffione in abbinamento al dispositivo Touch Control (788SCAT) per cromoterapia.
Showerhead combined with Touch Control device (788SCAT) for chromotherapy.

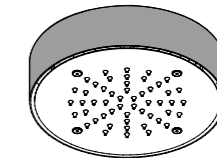
Fino a 4 soffioni combinabili collegati con sdoppiatore led (788/SEL) in abbinamento al dispositivo Touch Control (788SCAT) per cromoterapia.
Up to 4 combinable showerheads connected to led split (788/SEL) combined with Touch Control device (788SCAT) for chromotherapy.

FINITURA ESTERNA DISPONIBILE / EXTERNAL AVAILABLE FINISH



BI

Struttura esterna con carter solo bianco.
External structure with white carter cover



CR



AS



BI



NE



OR



OP

ACCESSORI / ACCESSORIES

Braccio disponibile da abbinare al soffione e al dispositivo Touch control (788SCAT).
Arm combinable with showerhead and Touch Control device (788SCAT).

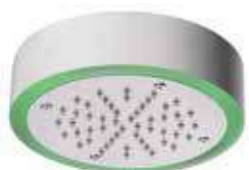


788/BR

788/CP

Soffione a soffitto tondo Ø 200mm con struttura esterna bianca, funzione pioggia e cromoterapia. Da abbinare a 788/SCAT.

200mms Ø round ceiling shower head, with external white structure, rain function, LED chromotherapy. To be matched 788/SCAT.



ARTICOLO COMPLETO / COMPLETE ITEM

788CRCP
CR

788ASCP
AS

788NECP*
NE/BI

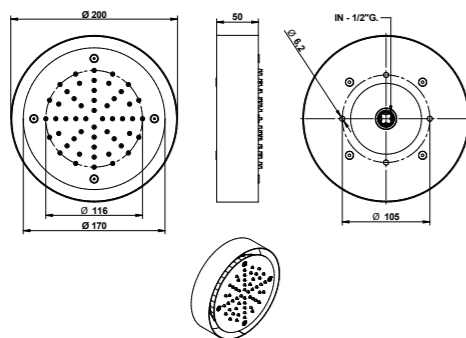
788ORCP
OR

788OPCP
OP

* Nelle varianti colore verniciate e satinare alcuni particolari saranno in finitura galvanica per garantire gli standard qualitativi. / To assure our quality standard on colored and satin product, some details remain in galvanic finishes.

Sistema anticalcare Fast Clean. Pressione dinamica minima di utilizzo 0,5 bar. Portata a pressione dinamica: uscita pioggia con limitatore 1-5 bar - 12 l/min. / Fast Clean shower. Minimum dynamic pressure of use 0,5 bar. Flow rates at dynamic pressure: rain exit with limitation system 1-5 bar - 12 l/min.

Non disponibile in altre finiture. / Not available in other finishes.



787/CP

Soffione a soffitto quadrato 200x200mm con struttura esterna bianca, funzione cascata e cromoterapia. Da abbinare a 788/SCAT.

200x200mms square ceiling shower head, with external white structure, rain function, LED chromotherapy. To be matched 788/SCAT.



ARTICOLO COMPLETO / COMPLETE ITEM

787CRCP
CR

787ASCP
AS

787NECP*
NE/BI

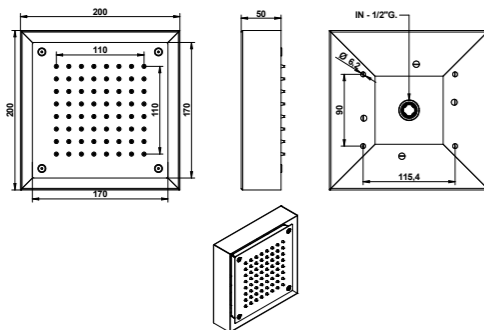
787ORCP
OR

787OPCP
OP

* Nelle varianti colore verniciate e satinare alcuni particolari saranno in finitura galvanica per garantire gli standard qualitativi. / To assure our quality standard on colored and satin product, some details remain in galvanic finishes.

Sistema anticalcare Fast Clean. Pressione dinamica minima di utilizzo 0,5 bar. Portata a pressione dinamica: uscita pioggia con limitatore 1-5 bar - 12 l/min. / Fast Clean shower. Minimum dynamic pressure of use 0,5 bar. Flow rates at dynamic pressure: rain exit with limitation system 1-5 bar - 12 l/min.

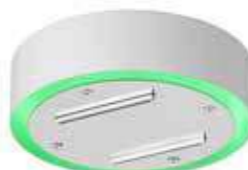
Non disponibile in altre finiture. / Not available in other finishes.



788/CW

Soffione a soffitto tondo Ø 200mm con struttura esterna bianca, funzione cascata e cromoterapia. Da abbinare a 788/SCAT.

200mms Ø round ceiling shower head, with external white structure, waterfall function, LED chromotherapy. To be matched 788/SCAT.



ARTICOLO COMPLETO / COMPLETE ITEM

788CRCW
CR

788ASCW
AS

788NECW*
NE/BI

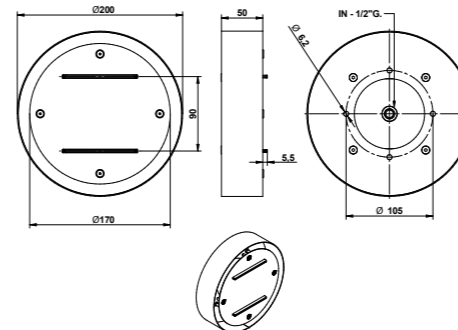
788ORCW
OR

788OPCW
OP

* Nelle varianti colore verniciate e satinare alcuni particolari saranno in finitura galvanica per garantire gli standard qualitativi. / To assure our quality standard on colored and satin product, some details remain in galvanic finishes.

Sistema anticalcare Fast Clean. Pressione dinamica minima di utilizzo 0,5 bar. Portata a pressione dinamica: uscita cascata con limitatore 3 bar - 14,4 l/min. / Fast Clean shower. Minimum dynamic pressure of use 0,5 bar. Flow rates at dynamic pressure: waterfall exit with limitation system 3 bar - 14,4 l/min.

Non disponibile in altre finiture. / Not available in other finishes.



787/CW

Soffione a soffitto quadrato 200x200mm con struttura esterna bianca, funzione cascata e cromoterapia. Da abbinare a 788/SCAT.

200x200mms square ceiling shower head, with external white structure, waterfall function, LED chromotherapy. To be matched 788/SCAT.



ARTICOLO COMPLETO / COMPLETE ITEM

787CRCW
CR

787ASCW
AS

787NECW*
NE/BI

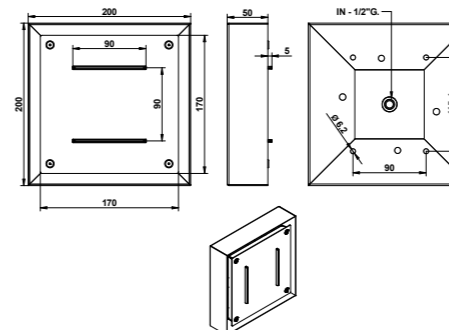
787ORCW
OR

787OPCW
OP

* Nelle varianti colore verniciate e satinare alcuni particolari saranno in finitura galvanica per garantire gli standard qualitativi. / To assure our quality standard on colored and satin product, some details remain in galvanic finishes.

Sistema anticalcare Fast Clean. Pressione dinamica minima di utilizzo 0,5 bar. Portata a pressione dinamica: uscita pioggia con limitatore 3 bar - 14,4 l/min. / Fast Clean shower. Minimum dynamic pressure of use 0,5 bar. Flow rates at dynamic pressure: rain exit with limitation system 3 bar - 14,4 l/min.

Non disponibile in altre finiture. / Not available in other finishes.



FINITURE E COLORI / FINISHES AND COLOURS

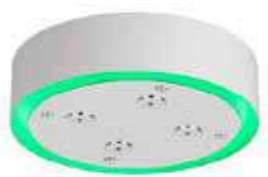


Schema di portata e istruzioni di installazione su richiesta o sul sito www.bongio.com
Flow chart and installation instructions on request or on the website www.bongio.com

788/CN

Soffione a soffitto tondo Ø 200mm con struttura esterna bianca, funzione nebulizzazione e cromoterapia. Da abbinare a 788/SCAT.

200mms Ø round ceiling shower head, with external white structure, nebulizer function, LED chomotherapy. To be matched 788/SCAT.



ARTICOLO COMPLETO / COMPLETE ITEM

788CRCN
CR

788ASCN
AS

788NECN*
NE/BI

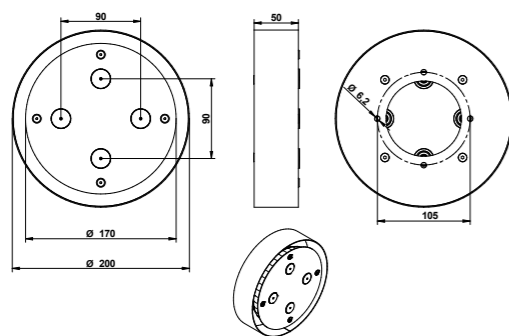
788ORCN
OR

788OPCN
OP

* Nelle varianti colore verniciate e satinare alcuni particolari saranno in finitura galvanica per garantire gli standard qualitativi. / To assure our quality standard on colored and satin product, some details remain in galvanic finishes.

Sistema anticalcare Fast Clean. Pressione dinamica minima di utilizzo 0,5 bar. Portata a pressione dinamica: uscita nebulizzazione con limitatore 3 bar - 4,7 l/min. / Fast Clean shower. Minimum dynamic pressure of use 0,5 bar. Flow rates at dynamic pressure: nebulization exit with limitation system 3 bar - 4,7 l/min.

Non disponibile in altre finiture. / Not available in other finishes.



787/CN

Soffione a soffitto quadrato 200x200mm con struttura esterna bianca, funzione nebulizzazione e cromoterapia. Da abbinare a 788/SCAT.

200x200mms square ceiling shower head, with external white structure, nebulizer function, LED chomotherapy. To be matched 788/SCAT.



ARTICOLO COMPLETO / COMPLETE ITEM

787CRCN
CR

787ASCN
AS

787NECN*
NE/BI

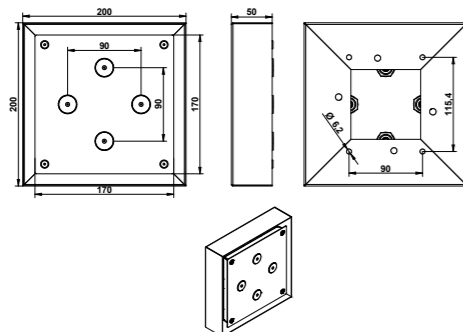
787ORCN
OR

787OPCN
OP

* Nelle varianti colore verniciate e satinare alcuni particolari saranno in finitura galvanica per garantire gli standard qualitativi. / To assure our quality standard on colored and satin product, some details remain in galvanic finishes.

Sistema anticalcare Fast Clean. Pressione dinamica minima di utilizzo 0,5 bar. Portata a pressione dinamica: uscita nebulizzazione con limitatore 3 bar - 4,7 l/min. / Fast Clean shower. Minimum dynamic pressure of use 0,5 bar. Flow rates at dynamic pressure: nebulization exit with limitation system 3 bar - 4,7 l/min.

Non disponibile in altre finiture. / Not available in other finishes.



788/CT

Soffione a soffitto tondo Ø 200mm con struttura esterna bianca, funzione pioggia tropicale e cromoterapia. Da abbinare a 788/SCAT.

200mms Ø round ceiling shower head, with external white structure, tropical waterfall function, LED chomotherapy. To be matched 788/SCAT.



ARTICOLO COMPLETO / COMPLETE ITEM

788CRCT
CR

788ASCT
AS

788NECT*
NE/BI

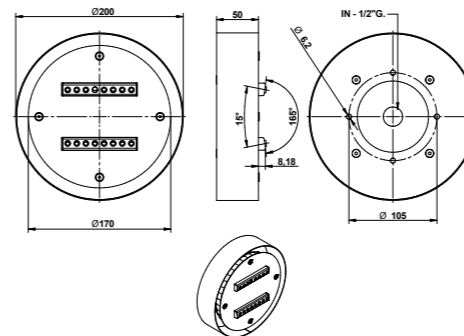
788ORCT
OR

788OPCT
OP

* Nelle varianti colore verniciate e satinare alcuni particolari saranno in finitura galvanica per garantire gli standard qualitativi. / To assure our quality standard on colored and satin product, some details remain in galvanic finishes.

Sistema anticalcare Fast Clean. Pressione dinamica minima di utilizzo 0,5 bar. Portata a pressione dinamica: uscita pioggia tropicale con limitatore 3 bar - 14,5 l/min. / Fast Clean shower. Minimum dynamic pressure of use 0,5 bar. Flow rates at dynamic pressure: tropical waterfall exit with limitation system 3 bar - 14,5 l/min.

Non disponibile in altre finiture. / Not available in other finishes.



787/CT

Soffione a soffitto quadrato 200x200mm con struttura esterna bianca, funzione pioggia tropicale e cromoterapia. Da abbinare a 788/SCAT.

200x200mms square ceiling shower head, with external white structure, tropical waterfall function, LED chomotherapy. To be matched 788/SCAT.



ARTICOLO COMPLETO / COMPLETE ITEM

787CRCT
CR

787ASCT
AS

787NECT*
NE/BI

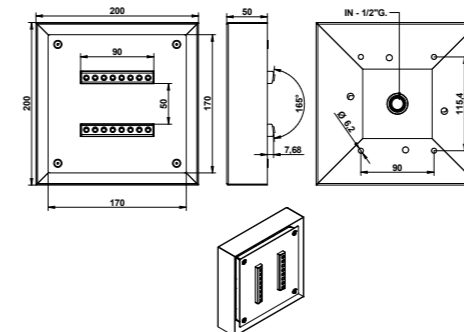
787ORCT
OR

787OPCT
OP

* Nelle varianti colore verniciate e satinare alcuni particolari saranno in finitura galvanica per garantire gli standard qualitativi. / To assure our quality standard on colored and satin product, some details remain in galvanic finishes.

Sistema anticalcare Fast Clean. Pressione dinamica minima di utilizzo 0,5 bar. Portata a pressione dinamica: uscita pioggia tropicale con limitatore 3 bar - 14,5 l/min. / Fast Clean shower. Minimum dynamic pressure of use 0,5 bar. Flow rates at dynamic pressure: tropical waterfall exit with limitation system 3 bar - 14,5 l/min.

Non disponibile in altre finiture. / Not available in other finishes.



FINITURE E COLORI / FINISHES AND COLOURS

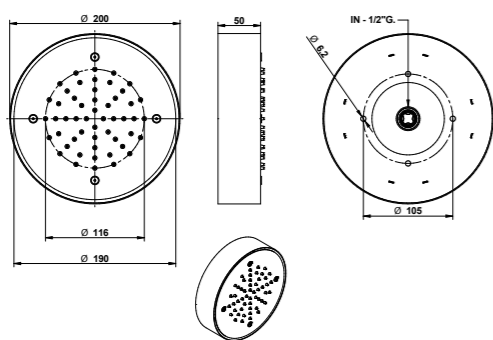


Schema di portata e istruzioni di installazione su richiesta o sul sito www.bongio.com
Flow chart and installation instructions on request or on the website www.bongio.com

788/OP

Soffione a soffitto tondo Ø 200mm con funzione pioggia.

200mms Ø round ceiling shower head with rain function.



ARTICOLO COMPLETO / COMPLETE ITEM

788CR0P
CR

788AS0P
AS

788BI0P *
BI/NE/RB/WM/RM/RS

788OR0P
OR/CN/PL

788HM0P *
HM/OM/NM/AM/IM/CM

* Nelle varianti colore verniciate e satinare alcuni particolari saranno in finitura galvanica per garantire gli standard qualitativi. / To assure our quality standard on colored and satin product, some details remain in galvanic finishes.

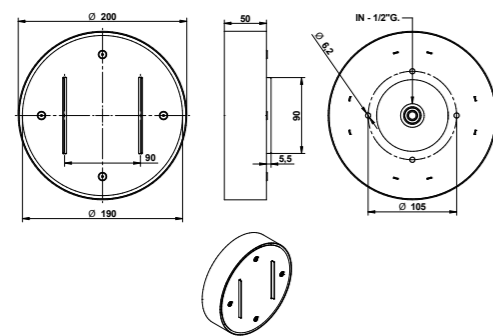
Sistema anticalcare Fast Clean. Pressione dinamica minima di utilizzo 0,5 bar. Portata a pressione dinamica: uscita pioggia con limitatore 1-5 bar - 12 l/min. / Fast Clean shower. Minimum dynamic pressure of use 0,5 bar. Flow rates at dynamic pressure: rain exit with limitation system 1-5 bar - 12 l/min.

Non disponibile in altre finiture. / Not available in other finishes.

788/OW

Soffione a soffitto tondo Ø 200mm con funzione cascata.

200mms Ø round ceiling shower head with waterfall function.



ARTICOLO COMPLETO / COMPLETE ITEM

788CR0W
CR

788AS0W
AS

788BI0W *
BI/NE/RB/WM/RM/RS

788OR0W
OR/CN/PL

788HM0W *
HM/OM/NM/CM/AM/IM

* Nelle varianti colore verniciate e satinare alcuni particolari saranno in finitura galvanica per garantire gli standard qualitativi. / To assure our quality standard on colored and satin product, some details remain in galvanic finishes.

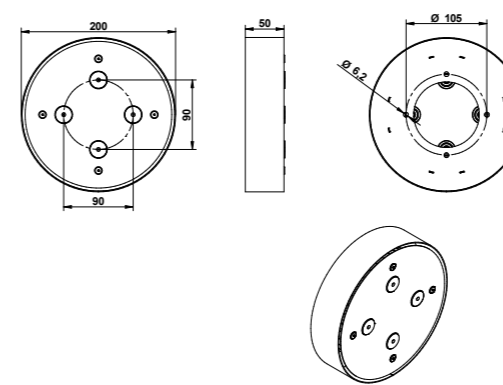
Sistema anticalcare Fast Clean. Pressione dinamica minima di utilizzo 0,5 bar. Portata a pressione dinamica: uscita cascata con limitatore 1-5 bar - 12 l/min. / Fast Clean shower. Minimum dynamic pressure of use 0,5 bar. Flow rates at dynamic pressure: waterfall exit with limitation system 1-5 bar - 12 l/min.

Non disponibile in altre finiture. / Not available in other finishes.

788/ON

Soffione a soffitto tondo Ø 200mm con funzione nebulizzazione.

200mms Ø round ceiling shower head with nebulization function.



ARTICOLO COMPLETO / COMPLETE ITEM

788CR0N
CR

788AS0N
AS

788BI0N *
BI/NE/RB/WM/RS

788OR0N
OR/CN/PL

788HM0N *
HM/CM/OM/NM/AM/IM

* Nelle varianti colore verniciate e satinare alcuni particolari saranno in finitura galvanica per garantire gli standard qualitativi. / To assure our quality standard on colored and satin product, some details remain in galvanic finishes.

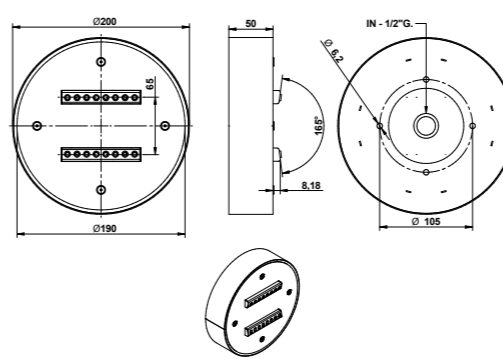
Sistema anticalcare Fast Clean. Pressione dinamica minima di utilizzo 0,5 bar. Portata a pressione dinamica: uscita nebulizzazione con limitatore 1-5 bar - 12 l/min. / Fast Clean shower. Minimum dynamic pressure of use 0,5 bar. Flow rates at dynamic pressure: nebulization exit with limitation system 1-5 bar - 12 l/min.

Non disponibile in altre finiture. / Not available in other finishes.

788/OT

Soffione a soffitto tondo Ø 200mm con funzione pioggia tropicale.

200mms Ø round ceiling shower head with tropical waterfall function.



ARTICOLO COMPLETO / COMPLETE ITEM

788CR0T
CR

788AS0T
AS

788BI0T *
BI/NE/RB/WM/RM/RS

788OR0T
OR/CN/PL

788HM0T *
HM/OM/NM/AM/IM/CM

* Nelle varianti colore verniciate e satinare alcuni particolari saranno in finitura galvanica per garantire gli standard qualitativi. / To assure our quality standard on colored and satin product, some details remain in galvanic finishes.

Sistema anticalcare Fast Clean. Pressione dinamica minima di utilizzo 0,5 bar. Portata a pressione dinamica: uscita pioggia tropicale con limitatore 1-5 bar - 12 l/min. / Fast Clean shower. Minimum dynamic pressure of use 0,5 bar. Flow rates at dynamic pressure: tropical waterfall exit with limitation system 1-5 bar - 12 l/min.

Non disponibile in altre finiture. / Not available in other finishes.

FINITURE E COLORI / FINISHES AND COLOURS

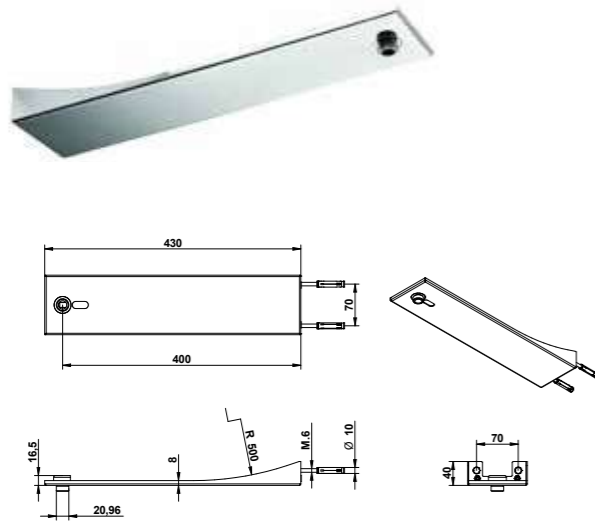


Schema di portata e istruzioni di installazione su richiesta o sul sito www.bongio.com
Flow chart and installation instructions on request or on the website www.bongio.com

788/BR

Braccio specifico 430mm da abbinare a set cromoterapia incasso 788/SCAT e soffioni 788-787 con cromoterapia.

430 mms specific shower arm to be matched with built-in chromotherapy set 788/SCAT and 788-787 shower head with chromotherapy.



ARTICOLO COMPLETO / COMPLETE ITEM

788CRBR
CR

788ASBR
AS

788NEBR
NE/BI

788ORBR
OR

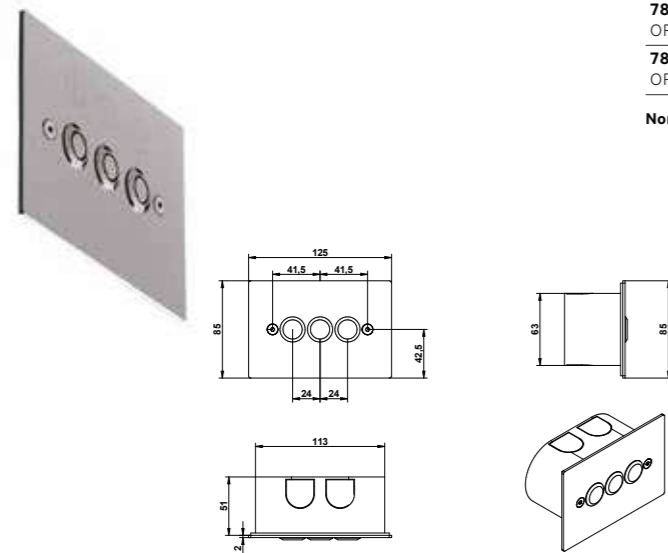
788OPBR
OP

Non disponibile in altre finiture. / Not available in other finishes.

788/SCAT

Sistema touch control ad incasso per funzionamento cromoterapia per soffioni 788-787 con cromoterapia.

Built-in touch control system for chromotherapy function for 788-787 shower head with chromotherapy.



ARTICOLO COMPLETO / COMPLETE ITEM

788CRSCAT
CR/AS

788NESCAT
NE/BI

788ORSCAT
OR

788OPSCAT
OP

Non disponibile in altre finiture. / Not available in other finishes.

788/SEL

Sdoppiatore per sistema touch control ad incasso art. 788/SCAT per gestire fino ad un massimo di 4 soffioni.

Device LED connection system for built-in touch control item 788/SCAT per operate 4 shower head maximum.



ARTICOLO COMPLETO / COMPLETE ITEM

00788SEL

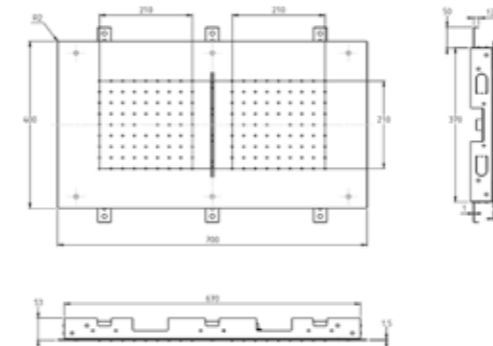
FINITURE E COLORI / FINISHES AND COLOURS



888/74PR

Soffione doccia rettangolare incasso a soffitto 700x400 mm in acciaio. Poggia e cascata.

700x400 mms. steel rectangular ceiling shower head. Rain and waterfall.



ARTICOLO COMPLETO / COMPLETE ITEM

888CR74
CR

888AS74
AS

888NE74
NE/BI

Sistema anticalcare Fast Clean. Pressione dinamica minima di utilizzo 3 bar. Portata a pressione dinamica: uscita pioggia con limitatore 3 bar - 14,1 l/min, uscita cascata 3 bar - 21,5 l/min. / Fast Clean shower. Minimum dynamic pressure of use 3 bar. Flow rates at dynamic pressure: rain exit with limitation system 3 bar - 14,1 l/min, waterfall exit 3 bar - 21,5 l/min.

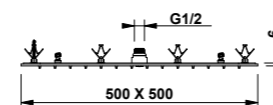
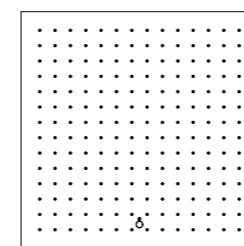
Per questo soffione predisporre 2 uscite acqua (1 per pioggia - 1 per cascata). Le 2 piogge vengono alimentate da erogazione unica. / For this shower head prepare 2 water out lets (1 for rain - 1 for waterfall). A single dispensing feeds the two rain.

Non disponibile in altre finiture. / Not available in other finishes.

888/55 VALVOLA SICUREZZA / SAFETY VALVE

Soffione doccia quadro incasso a soffitto 500x500 mm in acciaio. Sistema a rapida installazione. Sistema valvola sicurezza per calcare. Funzione pioggia.

500x500 mms. steel square ceiling shower head. Fast installation system. Limestone safety valve system. Rain function.



ARTICOLO COMPLETO / COMPLETE ITEM

888CR55
CR

888NE55
NE/BI/ON/RB/WM/RM/AS

888FA55
FA/TT/BM/OR/AM

888OP55
OP/CN/PL

888CM55
CM/IM/NM/HM/OM

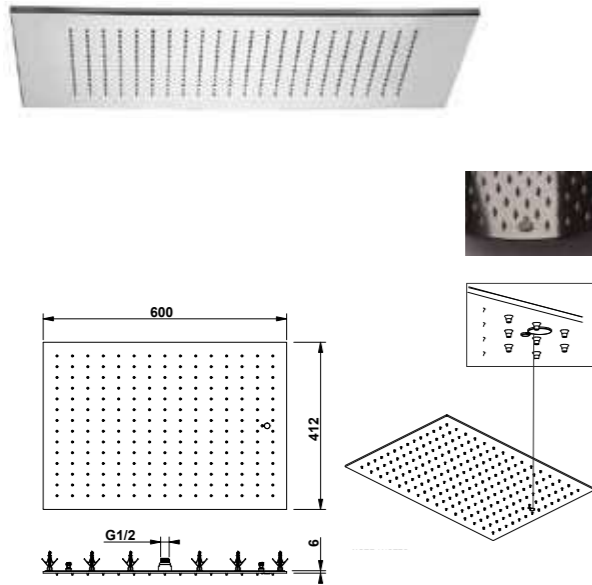
Sistema anticalcare Fast Clean. Pressione dinamica minima di utilizzo 1 bar. Portata a pressione dinamica: con limitatore 1-5 bar - 15 l/min. / Fast Clean shower. Minimum dynamic pressure of use 1 bar. Flow rates at dynamic pressure: with limitation system 1-5 bar - 15 l/min.

Non disponibile in altre finiture. / Not available in other finishes.

888/64 VALVOLA SICUREZZA / SAFETY VALVE

Soffione doccia rettangolare incasso a soffitto 412x600 mm in acciaio. Sistema a rapida installazione. **Sistema valvola sicurezza per calcare.** Funzione pioggia.

412x600 mms. steel rectangular ceiling shower head. Fast installation system. **Limestone safety valve system.** Rain function.



ARTICOLO COMPLETO / COMPLETE ITEM

- 888CR64**
CR
- 888NE64**
NE/BI/ON/RB/WM/RM/AS
- 888OR64**
OR/AM/FA/TT/BM
- 888CN64**
OP/CN/PL
- 888CM64**
CM/IM/NM/HM/OM

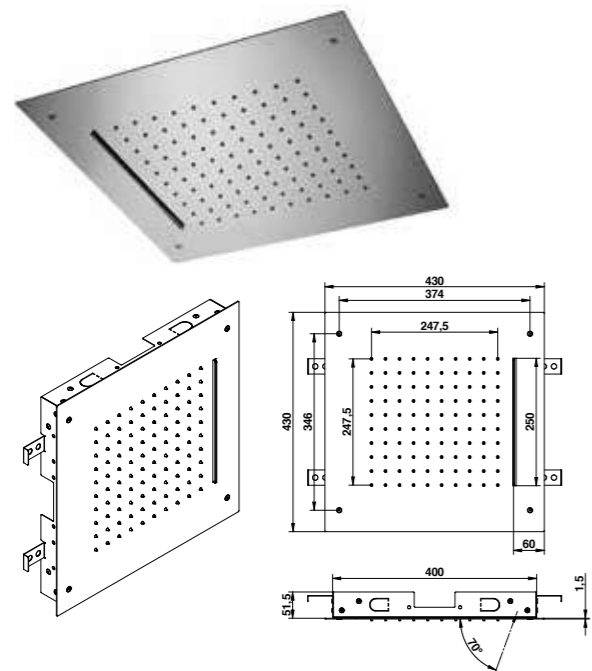
Sistema anticalcare Fast Clean. Pressione dinamica minima di utilizzo 1 bar. Portata a pressione dinamica: con limitatore 1-5 bar - 15 l/min. / Fast Clean shower. Minimum dynamic pressure of use 1 bar. Flow rates at dynamic pressure: with limitation system 1-5 bar - 15 l/min.

Non disponibile in altre finiture. / Not available in other finishes.

888/4QPC NEW

Soffione doccia quadro in acciaio incasso a soffitto 430x430 mm, funzione pioggia e cascata.

430x430 mms. steel square ceiling shower head, rain and waterfall function.



ARTICOLO COMPLETO / COMPLETE ITEM

- 888CR4QPC**
CR
- 888AS4QPC**
AS
- 888WM4QPC ***
WM/BU/NE/BI/RB/RM
- 888HM4QPC ***
HM/OM/NM/AM/OR/OP/CM/IM/PL

* Nelle varianti colore verniciate e satinare alcuni particolari saranno in finitura galvanica per garantire gli standard qualitativi. / To assure our quality standard on colored and satin product, some details remain in galvanic finishes.

Sistema anticalcare Fast Clean. Pressione dinamica minima di utilizzo 1,5 bar. Portata a pressione dinamica: uscita pioggia 3 bar - 15 l/min, uscita cascata 3 bar - 17 l/min. / Fast Clean shower. Minimum dynamic pressure of use 1.5 bar. Flow rates at dynamic pressure: rain exit 3 bar - 15 l/min, waterfall exit 3 bar - 17 l/min.

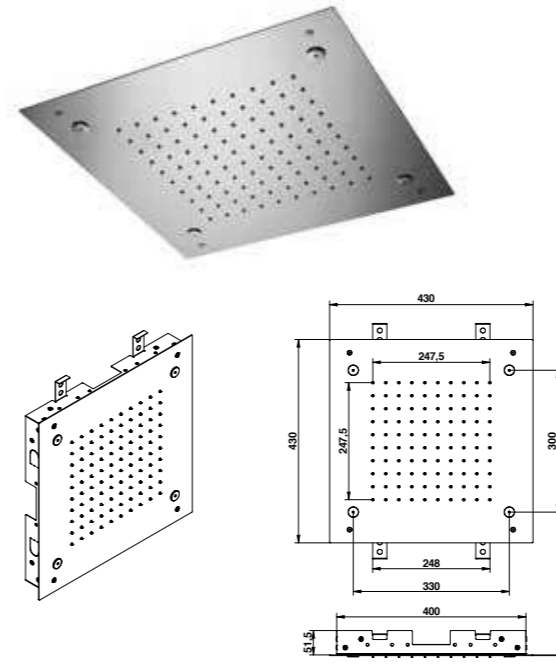
Per questo soffione predisporre 2 uscite acqua (1 per pioggia - 1 per cascata). / For this shower head prepare 2 water out lets (1 for rain - 1 for waterfall).

Non disponibile in altre finiture. / Not available in other finishes.

888/4QPN NEW

Soffione doccia quadro in acciaio incasso a soffitto 430x430 mm. Funzione pioggia e nebulizzazione.

430x430 mms. steel square ceiling shower head, rain and nebulization function.



ARTICOLO COMPLETO / COMPLETE ITEM

- 888CR4QPN**
CR
- 888AS4QPN**
AS
- 888NE4QPN ***
NE/BI/RB/WM/RM
- 888HM4QPN ***
HM/OM/NM/AM/CM/IM/OP/PL/OR

* Nelle varianti colore verniciate e satinare alcuni particolari saranno in finitura galvanica per garantire gli standard qualitativi. / To assure our quality standard on colored and satin product, some details remain in galvanic finishes.

Sistema anticalcare Fast Clean. Pressione dinamica minima di utilizzo 1 bar. Portata a pressione dinamica: uscita pioggia 3 bar - 15 l/min, uscita nebulizzazione 3 bar - 8 l/min. / Fast Clean shower. Minimum dynamic pressure of use 1 bar. Flow rates at dynamic pressure: rain exit 3 bar - 15 l/min, nebulization exit 3 bar - 8 l/min.

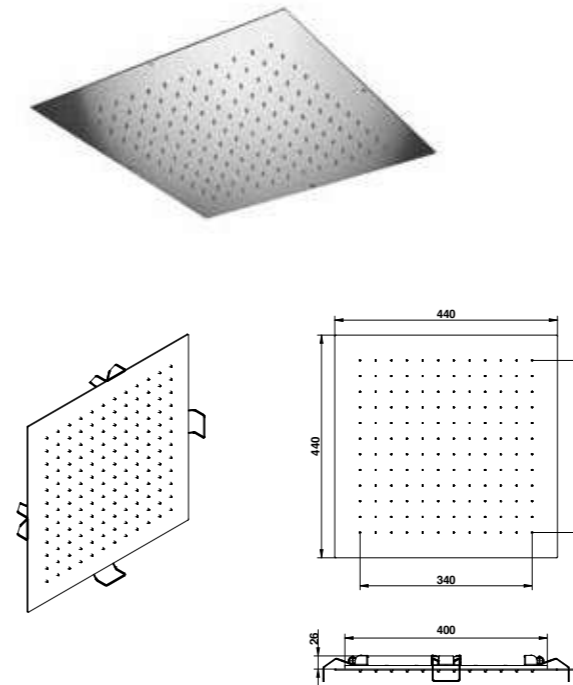
Per questo soffione predisporre 2 uscite acqua (1 per pioggia - 1 per nebulizzatore). / For this shower head prepare 2 water out lets (1 for rain - 1 for nebulizer).

Non disponibile in altre finiture. / Not available in other finishes.

888/44QPR NEW

Soffione doccia quadro in acciaio incasso a soffitto 440x440 mm funzione pioggia.

440x440 mms. steel square ceiling shower head rain function.



ARTICOLO COMPLETO / COMPLETE ITEM

- 888CR44QPR**
CR
- 888AS44QPR**
AS
- 888NE44QPR**
NE/BI
- 888OR44QPR**
OR
- 888HM44QPR**
HM/OM/NM/AM/CM/IM/OP/PL/OR

Sistema anticalcare Fast Clean. Pressione dinamica minima di utilizzo 1 bar. Portata a pressione dinamica: uscita pioggia con limitatore 3 bar - 15 l/min. / Fast Clean shower. Minimum dynamic pressure of use 1 bar. Flow rates at dynamic pressure: rain exit with limitation system 3 bar - 15 l/min.

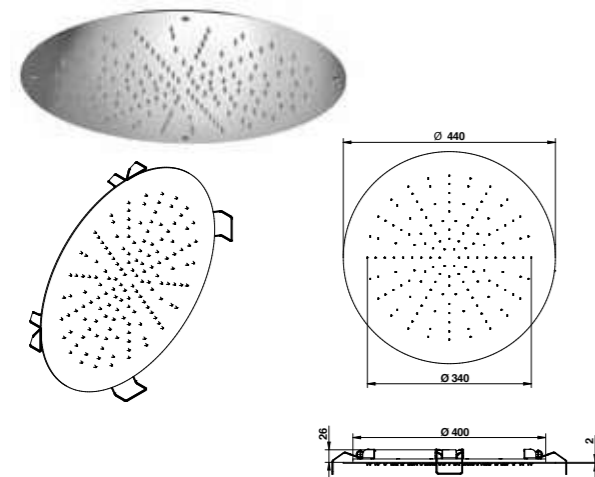
Non disponibile in altre finiture. / Not available in other finishes.

FINITURE E COLORI / FINISHES AND COLOURS



888/44RPR NEW

Soffione doccia tondo in acciaio ø 440 mms. steel round ceiling shower in-cassato a soffitto ø 440 mm funzione head rain function. pioggia.

**ARTICOLO COMPLETO / COMPLETE ITEM**

888CR44RPR
CR

888AS44RPR
AS

888NE44RPR
NE/BI

888OR44RPR
OR

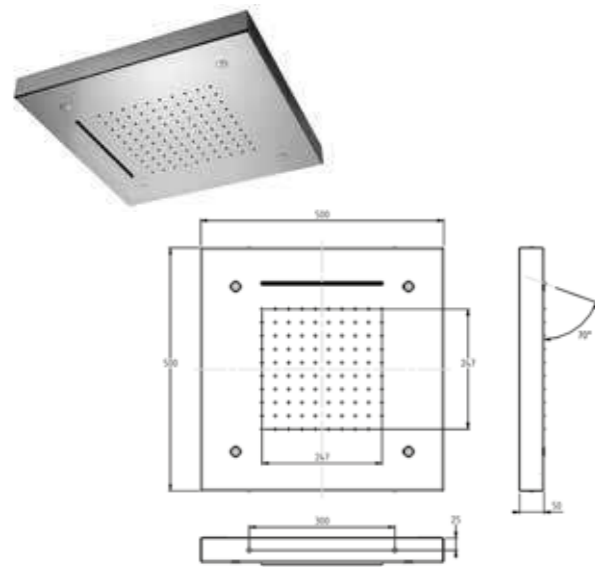
888HM44RPR
HM/OM/NM/IM/CM/OP

Sistema anticalcare Fast Clean. Pressione dinamica minima di utilizzo 1 bar. Portata a pressione dinamica: uscita pioggia con limitatore 3 bar - 15 l/min. / Fast Clean shower. Minimum dynamic pressure of use 1 bar. Flow rates at dynamic pressure: rain exit with limitation system 3 bar - 15 l/min.

Non disponibile in altre finiture. / Not available in other finishes.

888/5HPR NEW

Soffione doccia quadro 500x500 mm in acciaio con funzione pioggia 500x500 mms. steel ceiling shower head with rain waterfall and cascata e nebulizzazione. Speciali per ristrutturazioni senza telaio incasso. nebulization function. Special for renovations without built-in frame.

**ARTICOLO COMPLETO / COMPLETE ITEM**

888CR5HPR
CR

888AS5HPR
AS

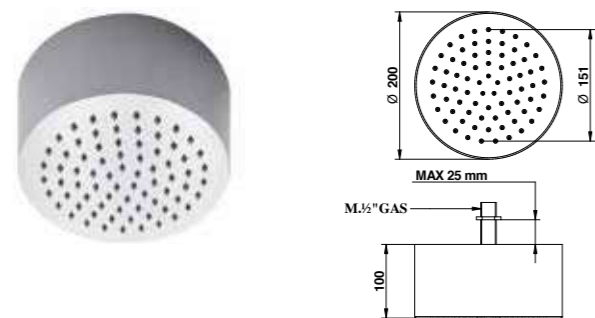
Sistema anticalcare Fast Clean. Pressione dinamica minima di utilizzo 1 bar. Portata a pressione dinamica: uscita pioggia 3 bar - 15 l/min, uscita cascata 3 bar - 17 l/min, uscita nebulizzazione 3 bar - 8 l/min. / Fast Clean shower. Minimum dynamic pressure of use 1 bar. Flow rates at dynamic pressure: rain exit 3 bar - 15 l/min, waterfall exit 3 bar - 17 l/min, nebulization exit 3 bar - 8 l/min.

Per questo soffione predisporre 3 uscite acqua (1 per pioggia - 1 per cascata - 1 per nebulizzazione). / For this shower head prepare 3 water out lets (1 for rain - 1 for waterfall - 1 for nebulizer jet).

Non disponibile in altre finiture. / Not available in other finishes.

788/20PR

Soffione cilindrico a soffitto ø 200 mm con funzione pioggia. ø 200 mms. cylinder ceiling shower with rain function.

**ARTICOLO COMPLETO / COMPLETE ITEM**

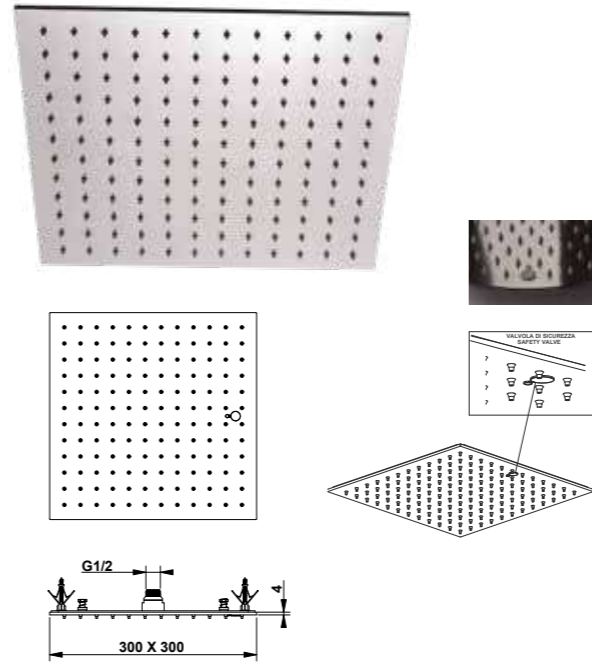
788CR20PR
CR

Sistema anticalcare Fast Clean. Pressione dinamica minima di utilizzo 0,5 bar. Portata a pressione dinamica 3 bar - 8 l/min. / Fast Clean shower. Minimum dynamic pressure of use 0,5 bar. Flow rates at dynamic pressure 3 bar - 8 l/min.

Non disponibile in altre finiture. / Not available in other finishes.

888/33Q VALVOLA SICUREZZA / SAFETY VALVE

Soffione doccia quadro a soffitto 300x300 mm in acciaio. Sistema a rapida installazione. **Sistema valvola sicurezza per calcare**. Ampia caduta acqua. Funzione pioggia. 300x300 mms. steel square ceiling shower head. Fast installation system. **Limestone safety valve system**. Wide water fall. Rain function.

**ARTICOLO COMPLETO / COMPLETE ITEM**

888CR33Q
CR

888NE33Q
NE/BI/AS/ON/RB/WM/RM

888FA33Q
FA/TT/BM/AM

888OP33Q
OP/PL/CN

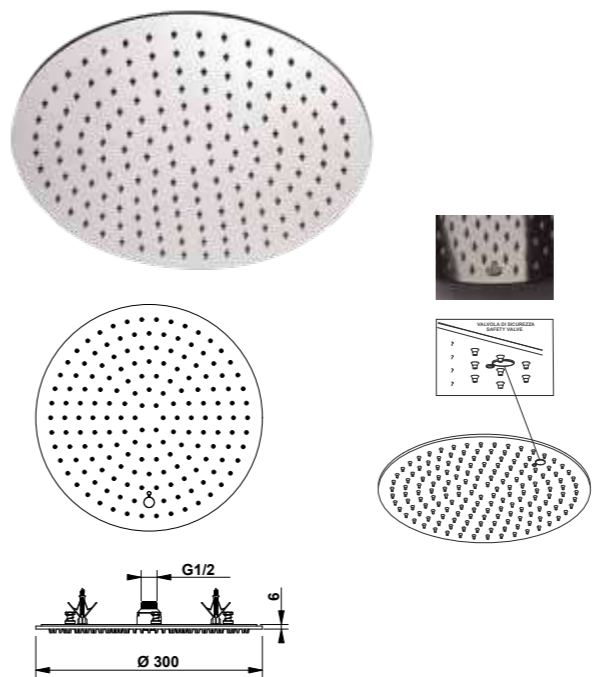
888HM33Q
HM/NM/OM/AM/CM/IM

Sistema anticalcare Fast Clean. Pressione dinamica minima di utilizzo 0,5 bar. Portata a pressione dinamica: con limitatore 3 bar - 15 l/min. / Fast Clean shower. Minimum dynamic pressure of use 0,5 bar. Flow rates at dynamic pressure: with limitation system 3 bar - 15 l/min.

Non disponibile in altre finiture. / Not available in other finishes.

888/33R VALVOLA SICUREZZA / SAFETY VALVE

Soffione doccia tondo a soffitto ø 300x300 mm in acciaio. Sistema a rapida installazione. **Sistema valvola sicurezza per calcare**. Ampia caduta acqua. Funzione pioggia. ø 300x300 mms. steel round ceiling shower head. Fast installation system. **Limestone safety valve system**. Wide water fall. Rain function.

**ARTICOLO COMPLETO / COMPLETE ITEM**

888CR33OR
CR

888AS33OR
AS

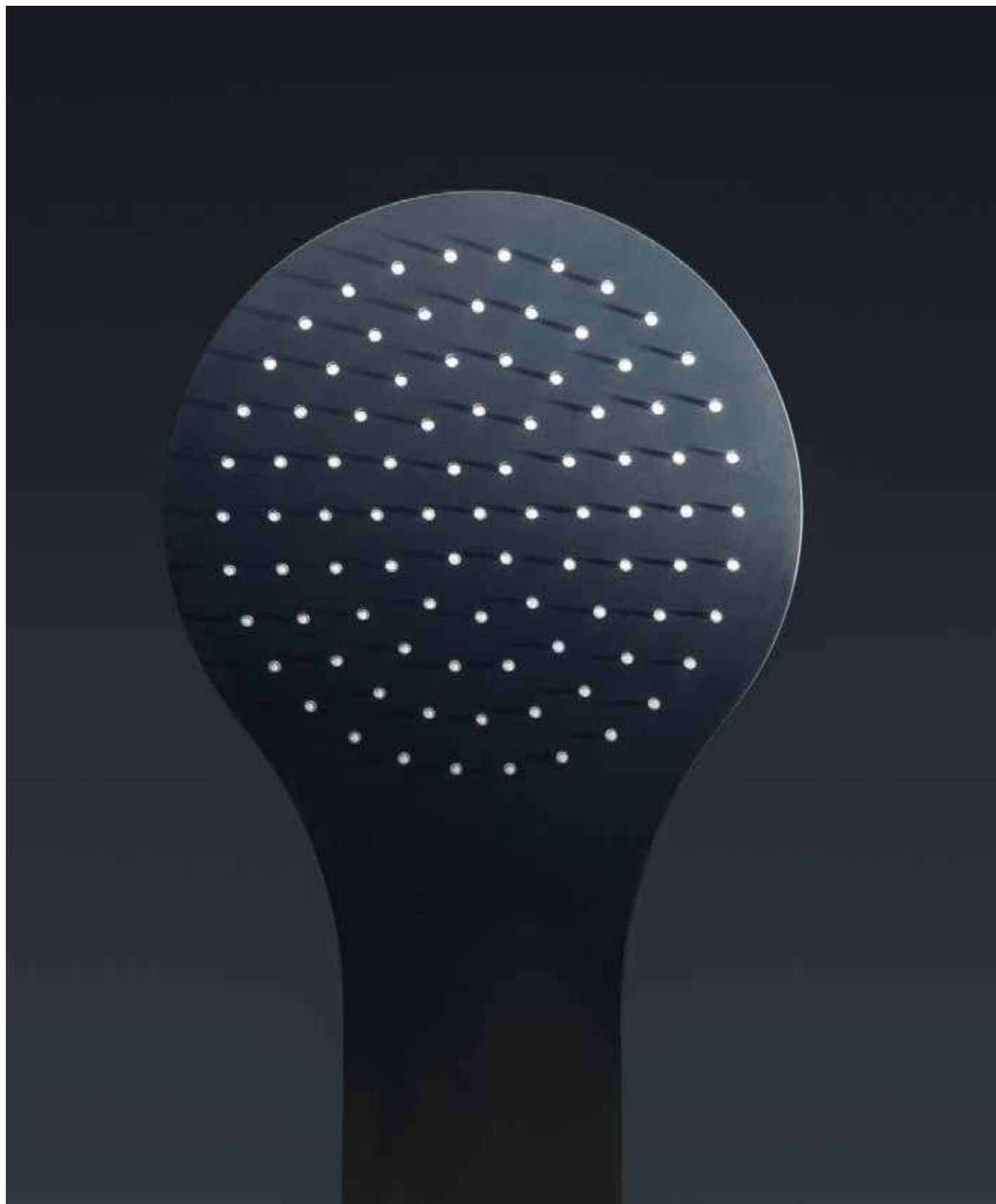
Sistema anticalcare Fast Clean. Pressione dinamica minima di utilizzo 0,5 bar. Portata a pressione dinamica: con limitatore 3 bar - 15 l/min. / Fast Clean shower. Minimum dynamic pressure of use 0,5 bar. Flow rates at dynamic pressure: with limitation system 3 bar - 15 l/min.

Non disponibile in altre finiture. / Not available in other finishes.

FINITURE E COLORI / FINISHES AND COLOURS

Schema di portata e istruzioni di installazione su richiesta o sul sito www.bongio.com
Flow chart and installation instructions on request or on the website www.bongio.com

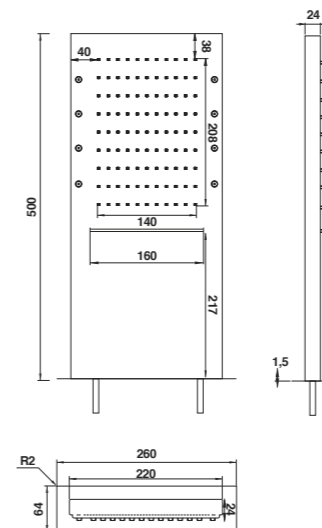
SOFFIONI A PARETE, CASCATE E MULTIFUNZIONE
WALL SHOWER HEADS, WATERFALL AND MULTIFUNCTION



889/CL CROMOTERAPIA/CHROMOTHERAPY

Soffione doccia a parete in acciaio 3 funzioni: pioggia, cascata e cromoterapia con touch control per attivazione cromoterapia.

Steel wall shower head with 3 functions: rain, waterfall and chromotherapy with touch control for chromotherapy activation.



ARTICOLO COMPLETO / COMPLETE ITEM

889CRCL
CR

889ASCL
AS

889BICL *
BI/NE

889ORCL
OR/OP/CN

* Nelle varianti colore verniciate e satinare alcuni particolari saranno in finitura galvanica per garantire gli standard qualitativi. / To assure our quality standard on colored and satin product, some details remain in galvanic finishes.

Sistema anticalcare Fast Clean. Pressione dinamica minima di utilizzo 1 bar. Portata a pressione dinamica: uscita pioggia 3 bar - 12,5 l/min, uscita cascata 3 bar - 12,2 l/min. / Fast Clean shower. Minimum dynamic pressure of use 1 bar. Flow rates at dynamic pressure: rain exit 3 bar - 12,5 l/min, waterfall exit 3 bar - 12,2 l/min.

Per questo soffione predisporre 2 uscite acqua (1 per pioggia - 1 per cascata). / For this shower head prepare 2 water out lets (1 for rain - 1 for waterfall).

Art. 14889NE00

FINITURE E COLORI / FINISHES AND COLOURS



Schema di portata e istruzioni di installazione su richiesta o sul sito www.bongio.com
 Flow chart and installation instructions on request or on the website www.bongio.com

SW880

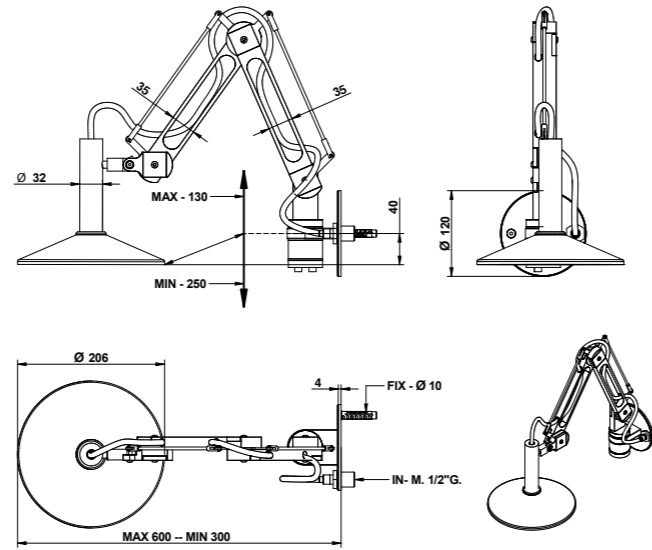
Soffione doccia Ø 206 mm con braccio orientabile ad estensione.

Ø 206 mms shower head with arm adjustable and extensible.

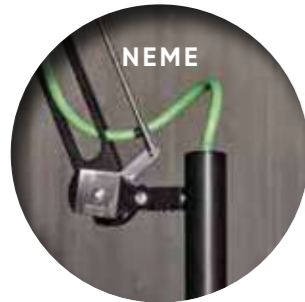
ARTICOLO COMPLETO / COMPLETE ITEM

SW880NEME
NEME/NENE/NERS/SIME/SINE/SIRS

Non disponibile in altre finiture. / Not available in other finishes.



SWITCH20 FINITURE E COLORI / FINISHES AND COLOURS



NEME
NERO OPACO/VERDE
MATT BLACK/GREEN
SW880NEME



SIME
SILVER/VERDE
SILVER/GREEN
SW880SIME



NERS
NERO OPACO/ROSSO
MATT BLACK/RED
SW880NERS



SIRS
SILVER/ROSSO
SILVER/RED
SW880SIRS



NENE
NERO OPACO/NERO
MATT BLACK/BLACK
SW880NENE



SINE
SILVER/NERO
SILVER/BLACK
SW880SINE

FINITURE E COLORI / FINISHES AND COLOURS

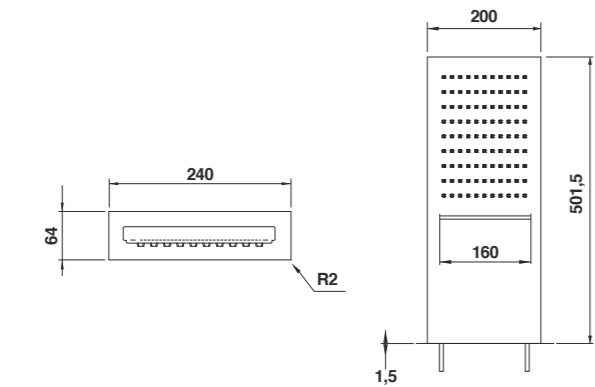


Art. SW880NENE
Design FEDERICO ROSSI

Schema di portata e istruzioni di installazione su richiesta o sul sito www.bongio.com
Flow chart and installation instructions on request or on the website www.bongio.com

889/LL

Soffione doccia a parete in acciaio con doppio getto pioggia e cascata / Steel wall shower head with double jet rain and waterfall



ARTICOLO COMPLETO / COMPLETE ITEM

889CRL
CR

889ASLL
AS

889NELL *
NE/BI/RB/RS/WM/RM

889ORLL *
OR/OM/AM/HM/NM/CM/IM

889OPLL *
OP/CN/FA

* Nelle varianti colore verniciate e satinare alcuni particolari saranno in finitura galvanica per garantire gli standard qualitativi. / To assure our quality standard on colored and satin product, some details remain in galvanic finishes.

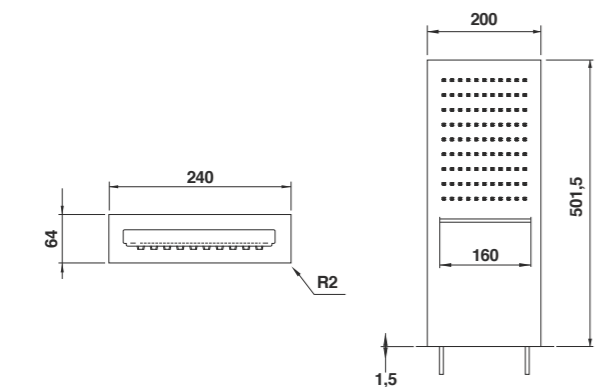
Sistema anticalcare Fast Clean. Pressione dinamica minima di utilizzo 1 bar. Portata a pressione dinamica: con limitatore 1-5 bar - 15 l/min, uscita pioggia 3 bar - 12,5 l/min, uscita cascata 3 bar - 12,2 l/min. / Fast Clean shower. Minimum dynamic pressure of use 1 bar. Flow rates at dynamic pressure: with limitation system 1-5 bar - 15 l/min, rain exit 3 bar - 12,5 l/min, waterfall exit 3 bar - 12,2 l/min.

Per questo soffione predisporre 2 uscite acqua (1 per pioggia - 1 per cascata). / For this shower head prepare 2 water out lets (1 for rain - 1 for waterfall).

Non disponibile in altre finiture. / Not available in other finishes.

889TTLU13

Soffione doccia a parete in acciaio con doppio getto pioggia e cascata, con grafica Tentation. / Steel wall shower head with double jet rain and waterfall, with Tentation graphic.



ARTICOLO COMPLETO / COMPLETE ITEM

00889TTLU13

Sistema anticalcare Fast Clean. Pressione dinamica minima di utilizzo 1 bar. Portata a pressione dinamica: con limitatore 1-5 bar - 15 l/min, uscita pioggia 3 bar - 12,5 l/min, uscita cascata 3 bar - 12,2 l/min. / Fast Clean shower. Minimum dynamic pressure of use 1 bar. Flow rates at dynamic pressure: with limitation system 1-5 bar - 15 l/min, rain exit 3 bar - 12,5 l/min, waterfall exit 3 bar - 12,2 l/min.

Per questo soffione predisporre 2 uscite acqua (1 per pioggia - 1 per cascata). / For this shower head prepare 2 water out lets (1 for rain - 1 for waterfall).

Su richiesta stampa personalizzata. / Personalized printing upon request.

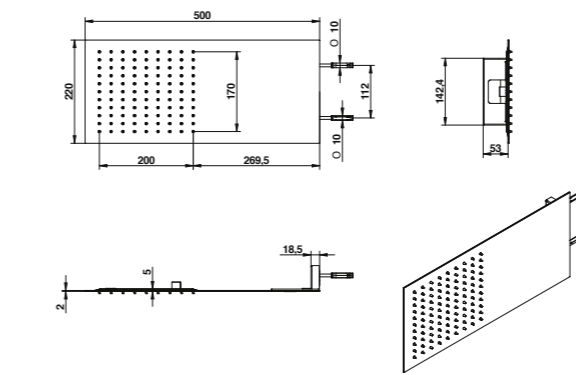
GRAFICA / GRAPHIC



TTLU13 Tentation

889/SLPR

Braccio doccia a parete con getto a pioggia. / Wall shower arm with rain function.



ARTICOLO COMPLETO / COMPLETE ITEM

889CRSLPR
CR

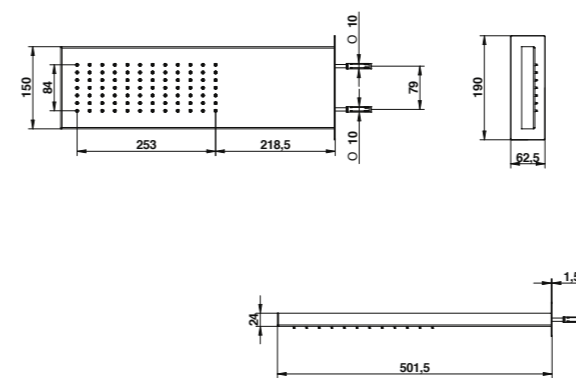
889ASSLPR
AS

Sistema anticalcare Fast Clean. Pressione dinamica minima di utilizzo 1 bar. Portata a pressione dinamica 3 bar - 12 l/min. / Fast Clean shower. Minimum dynamic pressure of use 1 bar. Flow rates at dynamic pressure 3 bar - 12 l/min.

Non disponibile in altre finiture. / Not available in other finishes.

889/01 NEW

Soffione doccia a parete con getto a pioggia. / Wall shower head with rain function.



ARTICOLO COMPLETO / COMPLETE ITEM

889CR01
CR

889AS01
AS

889NE01
NE/BI

889OM01
OM/NM/HM/AM/CM/IM/WM/RM/RB/RS

889CN01
CN/FA/OP/OR

Sistema anticalcare Fast Clean. Pressione dinamica minima di utilizzo 1 bar. Portata a pressione dinamica 3 bar - 12 l/min. / Fast Clean shower. Minimum dynamic pressure of use 1 bar. Flow rates at dynamic pressure 3 bar - 12 l/min.

Non disponibile in altre finiture. / Not available in other finishes.

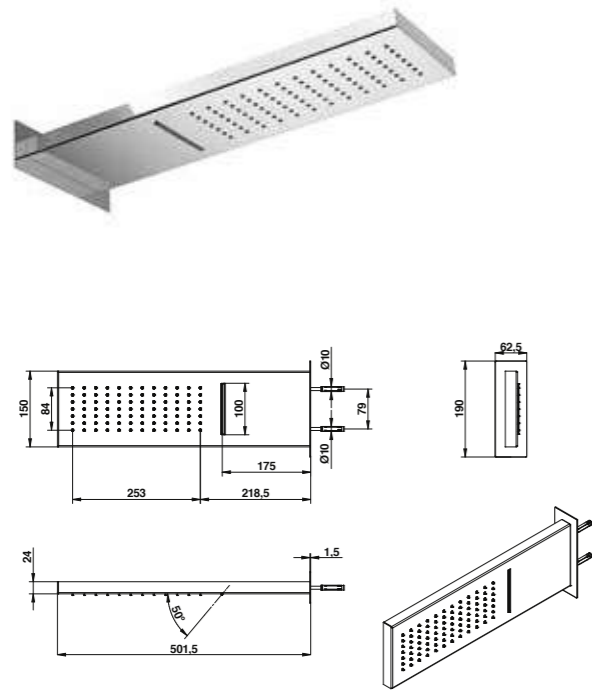
FINITURE E COLORI / FINISHES AND COLOURS



Schema di portata e istruzioni di installazione su richiesta o sul sito www.bongio.com
Flow chart and installation instructions on request or on the website www.bongio.com

889/2PR NEW

Soffione doccia a parete in acciaio con doppio getto pioggia e cascata. Steel wall shower head with double jet rain and waterfall.



ARTICOLO COMPLETO / COMPLETE ITEM

889CR02PR
CR

889AS02PR
AS

889NE02PR*
BI/NE

889CN02PR*
CN/OM/IM/NM/CM/AM/HM/WM/RM/
RB/RS

889OP02PR*
OP/FA/OR

* Nelle varianti colore verniciate e satinare alcuni particolari saranno in finitura galvanica per garantire gli standard qualitativi. / To assure our quality standard on colored and satin product, some details remain in galvanic finishes.

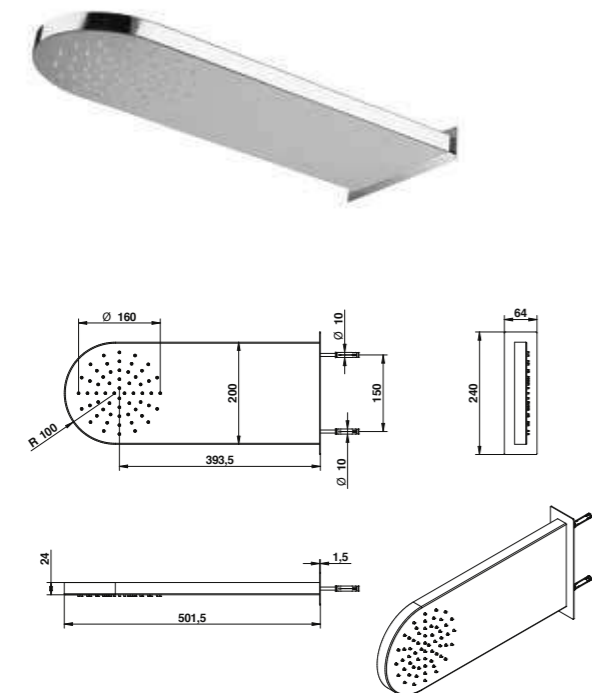
Sistema anticalcare Fast Clean. Pressione dinamica minima di utilizzo 1,5 bar. Portata a pressione dinamica: uscita pioggia 3 bar - 12 l/min, cascata 3 bar - 12 l/min. / Fast Clean shower. Minimum dynamic pressure of use 1,5 bar. Flow rates at dynamic pressure: shower exit 3 bar - 12 l/min, waterfall 3 bar - 12 l/min.

Per questo soffione predisporre 2 uscite acqua (1 per pioggia - 1 per cascata). / For this shower head prepare 2 water out lets (1 for rain - 1 for waterfall).

Non disponibile in altre finiture. / Not available in other finishes.

889/R1 NEW

Soffione doccia a parete con getto a pioggia. Wall shower head with rain function.



ARTICOLO COMPLETO / COMPLETE ITEM

889CRR1
CR

889ASR1
AS

889NER1
NE/BI/RS

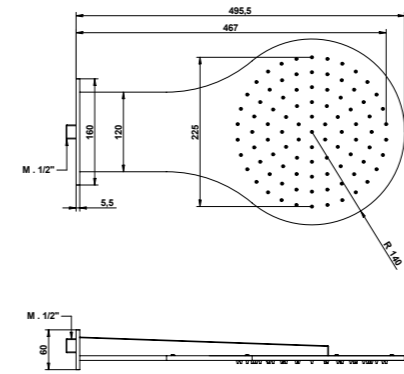
889ORR1
OR/OP/AM/OM/NM/HM/CM/IM

Sistema anticalcare Fast Clean. Pressione dinamica minima di utilizzo 1 bar. Portata a pressione dinamica 3 bar - 12 l/min. / Fast Clean shower. Minimum dynamic pressure of use 1 bar. Flow rates at dynamic pressure 3 bar - 12 l/min.

Non disponibile in altre finiture. / Not available in other finishes.

14889

Soffione doccia tondo a parete in acciaio con funzione pioggia ispezionabile. Steel wall shower head with rain function inspectionable.



ARTICOLO COMPLETO / COMPLETE ITEM

14889CR00
CR

14889NE00
NE/BI

14889NS00
NS/PL

14889CN00
CN

14889XX00*
XX

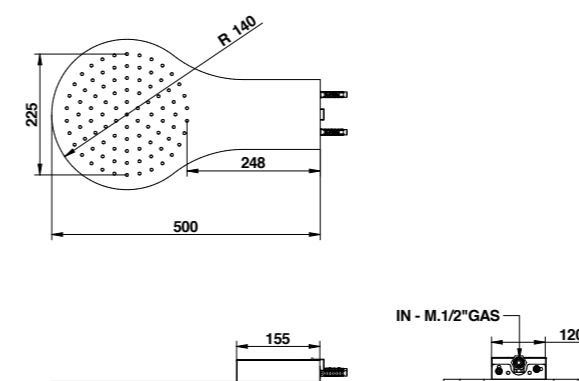
* XX: Per tutte le altre finiture fattibili riferirsi a questa fascia di prezzo. / Refer to this line of price for all other realizable finishes.

Sistema anticalcare Fast Clean. Pressione dinamica minima di utilizzo 0,5 bar. Portata a pressione dinamica: uscita doccia 3 bar - 15 l/min. / Fast Clean shower. Minimum dynamic pressure of use 0,5 bar. Flow rates at dynamic pressure: rain exit 3 bar - 15 l/min.

Non disponibile in TT - BU - ON - BM - AM - NM - CM - IM - HM - OM / Not available TT - BU - ON - BM - AM - NM - CM - IM - HM - OM

14889/SL

Soffione doccia tondo a parete in acciaio con funzione pioggia non ispezionabile. Steel wall shower head with rain function not inspectionable.



ARTICOLO COMPLETO / COMPLETE ITEM

14889CRSL
CR

Sistema anticalcare Fast Clean. Pressione dinamica minima di utilizzo 0,5 bar. Portata a pressione dinamica 3 bar - 20 l/min. / Fast Clean shower. Minimum dynamic pressure of use 0,5 bar. Flow rates at dynamic pressure 3 bar - 20 l/min.

Non disponibile in altre finiture. / Not available in other finishes.

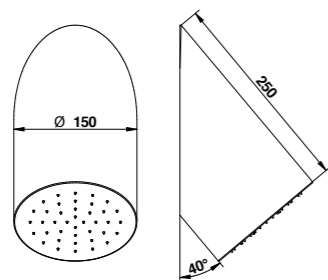
FINITURE E COLORI / FINISHES AND COLOURS



Schema di portata e istruzioni di installazione su richiesta o sul sito www.bongio.com
Flow chart and installation instructions on request or on the website www.bongio.com

790/PR

Braccio doccia a parete con getto a pioggia. Wall shower arm with rain function.



ARTICOLO COMPLETO / COMPLETE ITEM

790CRPR
CR

790ASPR
AS

790NEPR
NE/BI/WM/RM/RS/RB

790ORPR
OR/NM/HM/CM/IM/OM/AM

790OPPR
OP/CN

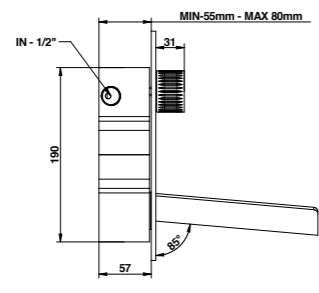
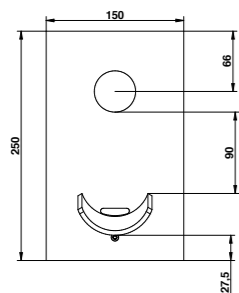
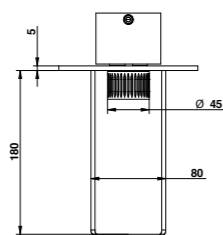
Sistema anticalcare Fast Clean. Pressione dinamica minima di utilizzo 0,5 bar. Portata a pressione dinamica: senza limitatore 3 bar - 28 l/min. / Fast Clean shower. Minimum dynamic pressure of use 0,5 bar. Flow rates at dynamic pressure: without limitation system 3 bar - 28 l/min.

Non disponibile in altre finiture. / Not available in other finishes.

76539/18 INOX 316 NEW

Miscelatore lavabo a parete con bocca 180 mm e piastra in acciaio spazzolato 316 e cartuccia progressiva.

316 brushed stainless steel wall basin mixer with 180 mms. spout and plate, progressive cartridge



ARTICOLO COMPLETO / COMPLETE ITEM

76539AS18
AS

Non disponibile in altre finiture. / Not available in other finishes.

ABBINABILE A / TO MATCH WITH:

Sifone / Siphon - **70067AS00**

Piletta clic-clac acciaio / Stainless steel clic-clac waste - **70071AS00**



RICAMBI / SPARE PARTS

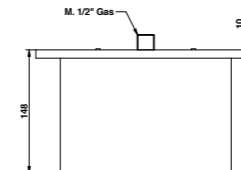
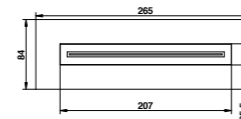
9822

FINITURE E COLORI / FINISHES AND COLOURS



890/PR

Soffione doccia a parete con getto a cascata. Wall waterfall shower head.



ARTICOLO COMPLETO / COMPLETE ITEM

890CRPR
CR

890ASPR
AS

890ORPR
OR

Pressione dinamica minima di utilizzo 1 bar. Portata a pressione dinamica: con limitatore 1-5 bar - 15 l/min. / Minimum dynamic pressure of use 1 bar. Flow rates at dynamic pressure: with limitation system 1-5 bar - 15 l/min.

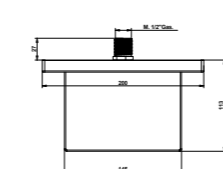
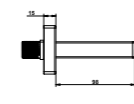
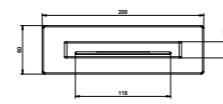
Non disponibile in altre finiture. / Not available in other finishes.

ABBINABILE A / TO MATCH WITH:

Miscelatore con capacità di erogare almeno 18-20 l/min / Mixer with a minimum flow rate of 18-20 l/min -

890/OT

Soffione doccia a parete con getto a cascata in ottone. Wall waterfall shower head.



ARTICOLO COMPLETO / COMPLETE ITEM

890CROT
CR

890ASOT
AS

890BMOT
BM/ON/BU/NE

890FAOT
FA/TT

Pressione dinamica minima di utilizzo 1 bar. Portata a pressione dinamica: con limitatore 1-5 bar - 15 l/min. / Minimum dynamic pressure of use 1 bar. Flow rates at dynamic pressure: with limitation system 1-5 bar - 15 l/min.

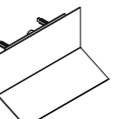
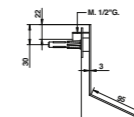
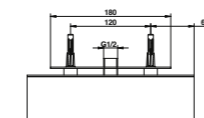
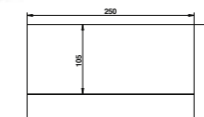
Non disponibile in altre finiture. / Not available in other finishes.

ABBINABILE A / TO MATCH WITH:

Miscelatore con capacità di erogare almeno 18-20 l/min / Mixer with a minimum flow rate of 18-20 l/min -

690

Soffione doccia a parete con getto a cascata. Wall waterfall shower head.



ARTICOLO COMPLETO / COMPLETE ITEM

690CR00
CR

690AS00
AS

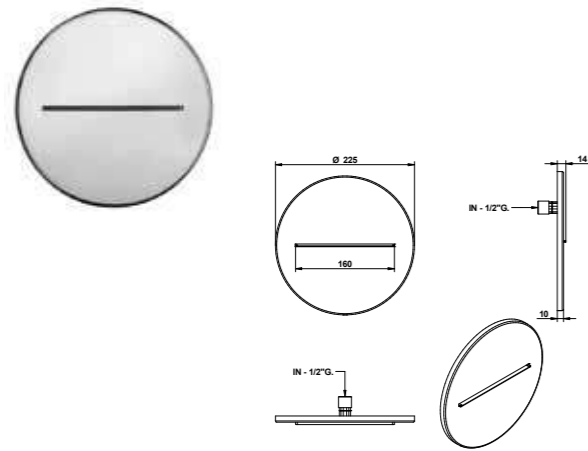
690OR00
OR

Pressione dinamica minima di utilizzo 1 bar. Portata a pressione dinamica 3 bar - 17,8 l/min. / Minimum dynamic pressure of use 1 bar. Flow rates at dynamic pressure 3 bar - 17,8 l/min.

Non disponibile in altre finiture. / Not available in other finishes.

691/R

Cascata a parete filo muro tonda Ø 225 round flush-wall waterfall. 225.



ARTICOLO COMPLETO / COMPLETE ITEM

691CR0R
CR

691NSOR
NS/NE/BI/PL/WM/RM/RS/RB

691OR0R
OR/CN

691OP0R
OP

691XX0R *
XX

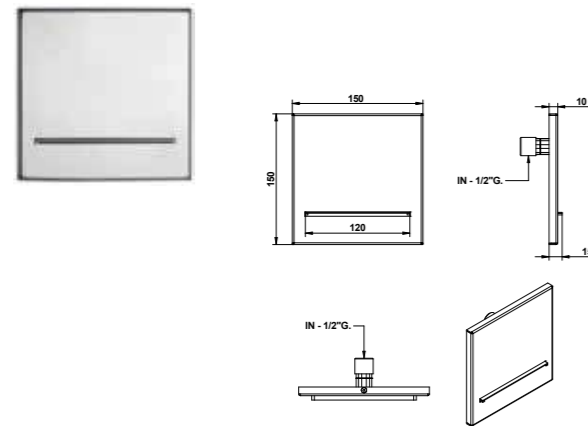
* XX: Per tutte le altre finiture fattibili riferirsi a questa fascia di prezzo. / Refer to this line of price for all other realizable finishes.

Pressione dinamica minima di utilizzo 1 bar. Portata a pressione dinamica: con limitatore 1-5 bar - 15 l/min. / Minimum dynamic pressure of use 1 bar. Flow rates at dynamic pressure: with limitation system 1-5 bar - 15 l/min.

Non disponibile in BU - TT - BM - ON / Not available BU - TT - BM - ON

691/Q

Cascata a parete filo muro quadra 150x150 square flush-wall waterfall. 150x150.



ARTICOLO COMPLETO / COMPLETE ITEM

691CR0Q
CR

691NS0Q
NS/NE/BI/PL/WM/RM/RS/RB

691OR0Q
OR/CN

691OP0Q
OP

691XX0Q *
XX

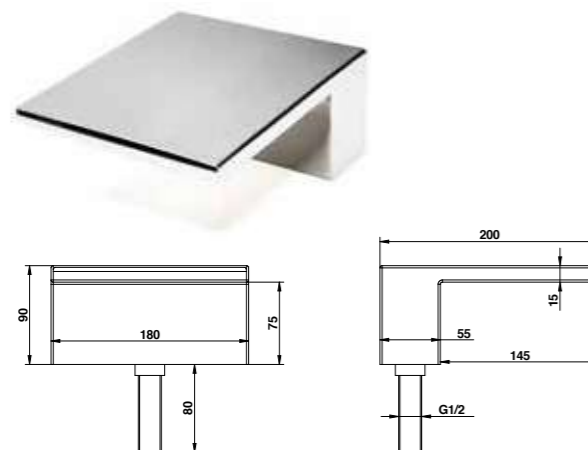
* XX: Per tutte le altre finiture fattibili riferirsi a questa fascia di prezzo. / Refer to this line of price for all other realizable finishes.

Pressione dinamica minima di utilizzo 1 bar. Portata a pressione dinamica: con limitatore 1-5 bar - 15 l/min. / Minimum dynamic pressure of use 1 bar. Flow rates at dynamic pressure: with limitation system 1-5 bar - 15 l/min.

Non disponibile in BU - TT - BM - ON / Not available BU - TT - BM - ON

891

Bocca a cascata bordo vasca. Deck bath waterfall spout.



ARTICOLO COMPLETO / COMPLETE ITEM

891CR00
CR

891AS00
AS

891OR00
OR

891OP00
OP

Pressione dinamica minima di utilizzo 1 bar. Portata a pressione dinamica 3 bar - 22 l/min. / Minimum dynamic pressure of use 1 bar. Flow rates at dynamic pressure 3 bar - 22 l/min.

Non disponibile in altre finiture. / Not available in other finishes.

893/Q

Soffione doccia incasso a parete con getto a cascata e piastra rettangolare. Built-in wall waterfall shower head with rectangular flange.



Componente realizzato in finitura galvanica per le finiture verniciate. Galvanic finish element for painted finishes.

ARTICOLO COMPLETO / COMPLETE ITEM

893CR0Q
CR

PARTE INCASSO
BUILT-IN PART

PARTE ESTERNA DA ABBINARE
EXTERNAL MATCHING PART

FINITURE / FINISHES

893CRSC
893NSSC
893ASSC
893ORSC
893OPSC

893CR0QE
CR

893AS0QE
AS

893NE0QE *
NE/BI/WM/RM/RS

893XX0QE □
XX

* Nelle varianti colore verniciate e satinare alcuni particolari saranno in finitura galvanica per garantire gli standard qualitativi. / To assure our quality standard on colored and satin product, some details remain in galvanic finishes.

□ XX: Per tutte le altre finiture fattibili riferirsi a questa fascia di prezzo. / Refer to this line of price for all other realizable finishes.

Portata a pressione dinamica: lama 3 bar - 32 l/min / Flow rates at dynamic pressure: blade 3 bar - 32 l/min

Non disponibile in BU - TT - BM - ON / Not available BU - TT - BM - ON

ABBINABILE A / TO MATCH WITH:
Miscelatore con capacità di erogare almeno 18-20 l/min / Mixer with a minimum flow rate of 18-20 l/min -

893/R

Soffione doccia incasso a parete con getto a cascata e piastra ovale. Built-in wall waterfall shower head with oval flange.



Componente realizzato in finitura galvanica per le finiture verniciate. Galvanic finish element for painted finishes.

ARTICOLO COMPLETO / COMPLETE ITEM

893CR0R
CR

PARTE INCASSO
BUILT-IN PART

PARTE ESTERNA DA ABBINARE
EXTERNAL MATCHING PART

FINITURE / FINISHES

893CRSC
893NSSC
893ASSC
893ORSC
893OPSC

893CR0RE
CR

893AS0RE
AS

893NE0RE *
NE/BI/WM/RM/RS

893XX0RE □
XX

* Nelle varianti colore verniciate e satinare alcuni particolari saranno in finitura galvanica per garantire gli standard qualitativi. / To assure our quality standard on colored and satin product, some details remain in galvanic finishes.

□ XX: Per tutte le altre finiture fattibili riferirsi a questa fascia di prezzo. / Refer to this line of price for all other realizable finishes.

Portata a pressione dinamica: lama 3 bar - 32 l/min / Flow rates at dynamic pressure: blade 3 bar - 32 l/min

Non disponibile in BU - TT - BM - ON / Not available BU - TT - BM - ON

ABBINABILE A / TO MATCH WITH:
Miscelatore con capacità di erogare almeno 18-20 l/min / Mixer with a minimum flow rate of 18-20 l/min -

FINITURE E COLORI / FINISHES AND COLOURS



SOFFIONI A BRACCIO
SHOWER HEADS FOR ARM



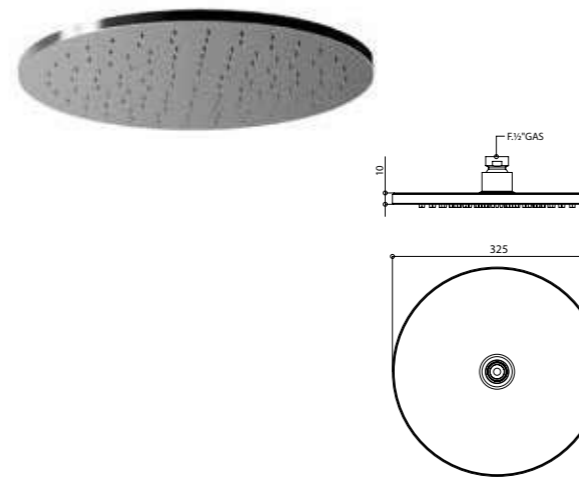
Art. 10860CRPR + 00802CR30PR
Art. 10529CROL + 00837CRO0

FINITURE E COLORI / FINISHES AND COLOURS



70883 TIME2020 - INOX 316

Soffione doccia tondo ø 325 mm in acciaio spazzolato 316, ispezionabile. 316 brushed stainless steel ø 325 mms. round shower, inspectable.



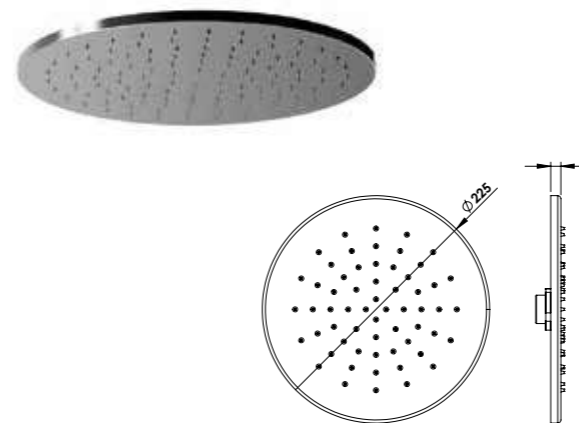
ARTICOLO COMPLETO / COMPLETE ITEM

70883AS00
AS

Sistema anticalcare Fast Clean. Pressione dinamica minima di utilizzo 1 bar. Portata a pressione dinamica 3 bar - 15 l/min. / Fast Clean shower. Minimum dynamic pressure of use 1 bar. Flow rates at dynamic pressure 3 bar - 15 l/min.
Non disponibile in altre finiture. / Not available in other finishes.

70880 TIME2020 - INOX 316

Soffione doccia tondo ø 225 mm in acciaio spazzolato 316, ispezionabile. 316 brushed stainless steel ø 225 mms. round shower, inspectable.



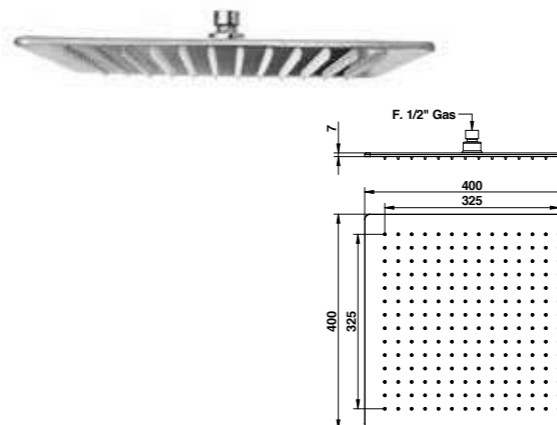
ARTICOLO COMPLETO / COMPLETE ITEM

70880AS00
AS

Sistema anticalcare Fast Clean. Pressione dinamica minima di utilizzo 1 bar. Portata a pressione dinamica 3 bar - 9 l/min. / Fast Clean shower. Minimum dynamic pressure of use 1 bar. Flow rates at dynamic pressure 3 bar - 9 l/min.
Non disponibile in altre finiture. / Not available in other finishes.

883/40Q7PR

Soffione doccia in acciaio quadro spessore 7 mm 400x400 mm, non ispezionabile. 400x400 mms. steel square shower head, 7 mms. thick, not inspectable.



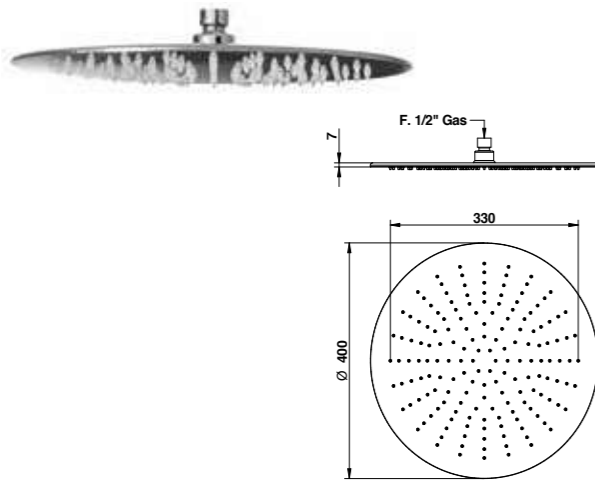
ARTICOLO COMPLETO / COMPLETE ITEM

883CR40Q7PR
CR

Sistema anticalcare Fast Clean. Pressione dinamica minima di utilizzo 1 bar. Portata a pressione dinamica 3 bar - 18 l/min. / Fast Clean shower. Minimum dynamic pressure of use 1 bar. Flow rates at dynamic pressure 3 bar - 18 l/min.
Non disponibile in altre finiture. / Not available in other finishes.

883/40R7PR

Soffione doccia in acciaio tondo Ø 400 mms. steel round shower head, spessore 7 mm Ø 400 mm, 7 mms. thick, not inspectable, non ispezionabile.



ARTICOLO COMPLETO / COMPLETE ITEM

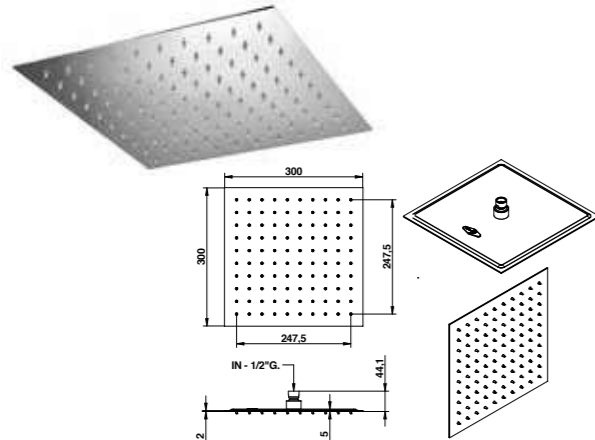
883CR40R7PR
CR

Sistema anticalcare Fast Clean. Pressione dinamica minima di utilizzo 1 bar. Portata a pressione dinamica 3 bar - 18 l/min. / Fast Clean shower. Minimum dynamic pressure of use 1 bar. Flow rates at dynamic pressure 3 bar - 18 l/min.

Non disponibile in altre finiture. / Not available in other finishes.

IM883/30QPR NEW

Soffione doccia quadro in acciaio 300x300 mm, non ispezionabile. Sistema valvola sicurezza per calcare. 300x300 mms. steel square shower head, not inspectable. Limestone safety valve.



ARTICOLO COMPLETO / COMPLETE ITEM

IM883CR30QPR
CR

IM883AS30QPR
AS

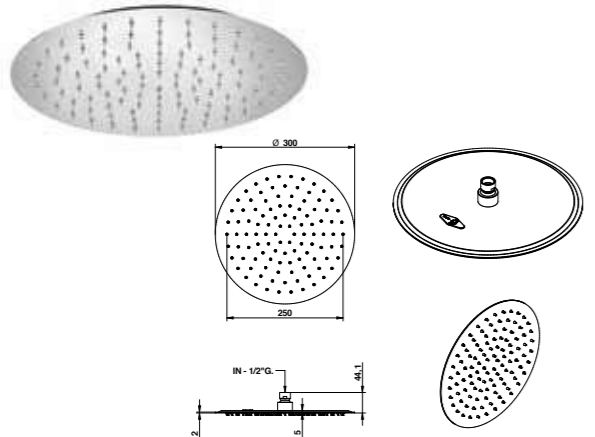
IM883NE30QPR
NE/BI

Sistema anticalcare Fast Clean. Pressione dinamica minima di utilizzo 1 bar. Portata a pressione dinamica 3 bar - 15 l/min. / Fast Clean shower. Minimum dynamic pressure of use 1 bar. Flow rates at dynamic pressure 3 bar - 15 l/min.

Non disponibile in altre finiture. / Not available in other finishes.

IM883/30RPR NEW

Soffione doccia tondo in acciaio diam. Ø 300 mms. steel round shower head, Ø 300 mm, non ispezionabile. Sistema valvola sicurezza per calcare. diam. Ø 300 mms. steel round shower head, 7,5 mms. thick. not inspectable. Limestone safety valve.



ARTICOLO COMPLETO / COMPLETE ITEM

IM883CR30RPR
CR

IM883AS30RPR
AS

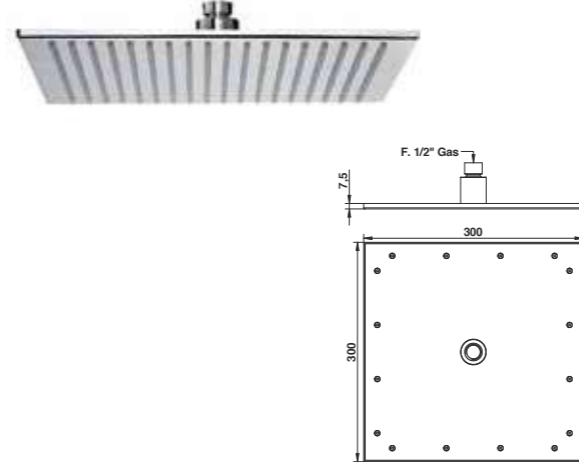
IM883NE30RPR
NE/BI

Sistema anticalcare Fast Clean. Pressione dinamica minima di utilizzo 1 bar. Portata a pressione dinamica 3 bar - 15 l/min. / Fast Clean shower. Minimum dynamic pressure of use 1 bar. Flow rates at dynamic pressure 3 bar - 15 l/min.

Non disponibile in altre finiture. / Not available in other finishes.

879

Soffione doccia quadro 300x300 mm, 300x300 mms. square shower head, ispezionabile per manutenzione. inspectable for maintenance.



ARTICOLO COMPLETO / COMPLETE ITEM

879CR00
CR

879NS00
NS/ON/BU

879NE00
NE/BI/RS/RB/WM/RM/PL

879OR00
OR/AM/FA/TT/BM/HM/IM/CM/OM

879OP00
OP/CN

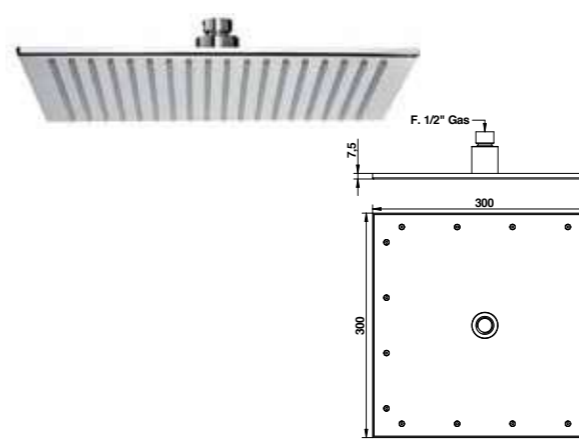
879XX00 *
XX

* XX: Per tutte le altre finiture fattibili riferirsi a questa fascia di prezzo. / Refer to this line of price for all other realizable finishes.

Sistema anticalcare Fast Clean. Pressione dinamica minima di utilizzo 1 bar. Portata a pressione dinamica: con limitatore 1-5 bar - 14 l/min. / Fast Clean shower. Minimum dynamic pressure of use 1 bar. Flow rates at dynamic pressure: with limitation system 1-5 bar - 14 l/min.

879TT10

Soffione doccia quadro 300x300 mm. Base cromo con grafica Fly Q - Blue. ispezionabile per manutenzione. 300x300 mms. square shower head. Chrome combined together with Fly Q - Blue graphic. inspectable for maintenance.



ARTICOLO COMPLETO / COMPLETE ITEM

00879TT10
CR

Sistema anticalcare Fast Clean. Pressione dinamica minima di utilizzo 1 bar. Portata a pressione dinamica: con limitatore 1-5 bar - 14 l/min. / Fast Clean shower. Minimum dynamic pressure of use 1 bar. Flow rates at dynamic pressure: with limitation system 1-5 bar - 14 l/min.

Su richiesta stampa personalizzata. / Personalized printing upon request.

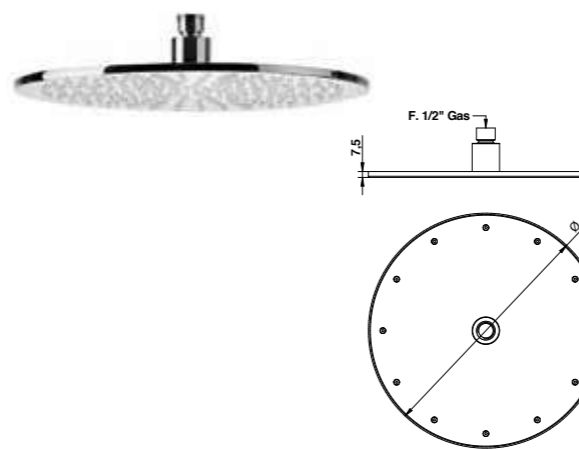
GRAFICA / GRAPHIC



TT10 Fly Q - Blue

882

Soffione doccia tondo Ø 300 mm spessore 7,5 mm. ispezionabile per manutenzione. Ø 300 mms. round shower head, 7,5 mms. thick. inspectable for maintenance.



ARTICOLO COMPLETO / COMPLETE ITEM

882CR00
CR

882NS00
NS/ON/BU

882NE00
NE/BI/RS/RB/WM/RM/PL

882OR00
OR/AM/FA/TT/BM/HM/IM/CM/OM

882OP00
OP/CN

882XX00 *
XX

* XX: Per tutte le altre finiture fattibili riferirsi a questa fascia di prezzo. / Refer to this line of price for all other realizable finishes.

Sistema anticalcare Fast Clean. Pressione dinamica minima di utilizzo 1 bar. Portata a pressione dinamica: con limitatore 1-5 bar - 14 l/min. / Fast Clean shower. Minimum dynamic pressure of use 1 bar. Flow rates at dynamic pressure: with limitation system 1-5 bar - 14 l/min.

FINITURE E COLORI / FINISHES AND COLOURS

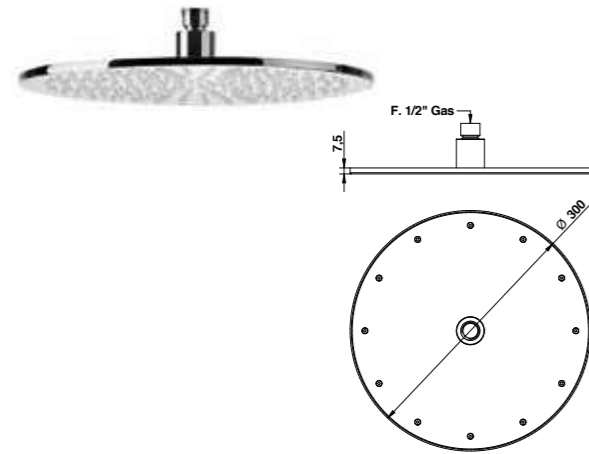


Schema di portata e istruzioni di installazione su richiesta o sul sito www.bongio.com
Flow chart and installation instructions on request or on the website www.bongio.com

882TT10

Soffione doccia tondo \varnothing 300 mm spessore 7,5 mm. Base cromo con grafica Fly Q - Blue. **Ispezionabile per manutenzione.**

\varnothing 300 mms. round shower head, 7,5 mms. thick. Chrome combined together with Fly Q Blue graphic. **Inspectable for maintenance.**



ARTICOLO COMPLETO / COMPLETE ITEM

00882TT10
CR

Sistema anticalcare Fast Clean. Pressione dinamica minima di utilizzo 1 bar. Portata a pressione dinamica: con limitatore 1-5 bar - 14 l/min. / Fast Clean shower. Minimum dynamic pressure of use 1 bar. Flow rates at dynamic pressure: with limitation system 1-5 bar - 14 l/min.

Su richiesta stampa personalizzata. / Personalized printing upon request.

GRAFICA / GRAPHIC

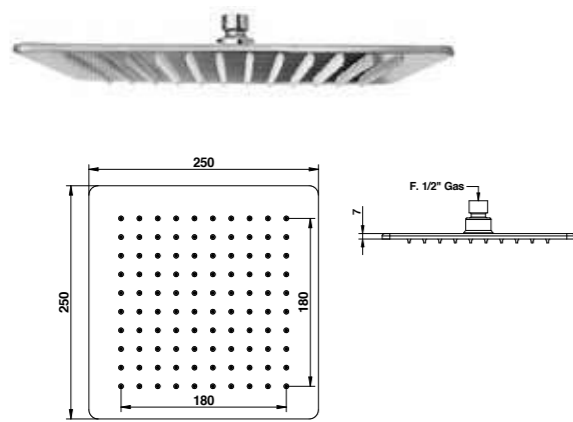


TT10 Fly Q - Blue

883/25Q7PR

Soffione doccia in acciaio quadro spessore 7 mm 250×250 mm **non ispezionabile.**

250×250 mms. steel square shower head, 7 mms thick **not inspectable.**



ARTICOLO COMPLETO / COMPLETE ITEM

883CR25Q7PR
CR883AS25Q7PR
AS883NE25Q7PR
NE/BI883XX25Q7PR *
XX

* XX: Per tutte le altre finiture fattibili riferirsi a questa fascia di prezzo. / Refer to this line of price for all other realizable finishes.

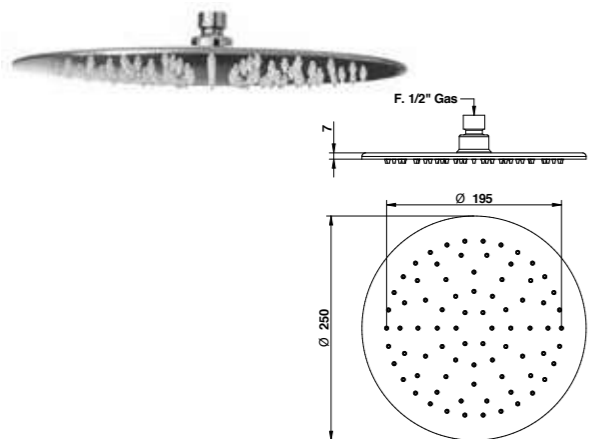
Sistema anticalcare Fast Clean. Pressione dinamica minima di utilizzo 0,5-1 bar. Portata a pressione dinamica 3 bar - 8 l/min. / Fast Clean shower. Minimum dynamic pressure of use 0,5-1 bar. Flow rates at dynamic pressure 3 bar - 8 l/min.

Non disponibile in TT - BU - ON - BM / Not available TT - BU - ON - BM

883/25R7PR

Soffione doccia in acciaio tondo spessore 7 mm \varnothing 250 mm **non ispezionabile.**

\varnothing 250 mms. steel round shower head, 7 mms. thick **not inspectable.**



ARTICOLO COMPLETO / COMPLETE ITEM

883CR25R7PR
CR883AS25R7PR
AS883NE25R7PR
NE/BI883XX25R7PR *
XX

* XX: Per tutte le altre finiture fattibili riferirsi a questa fascia di prezzo. / Refer to this line of price for all other realizable finishes.

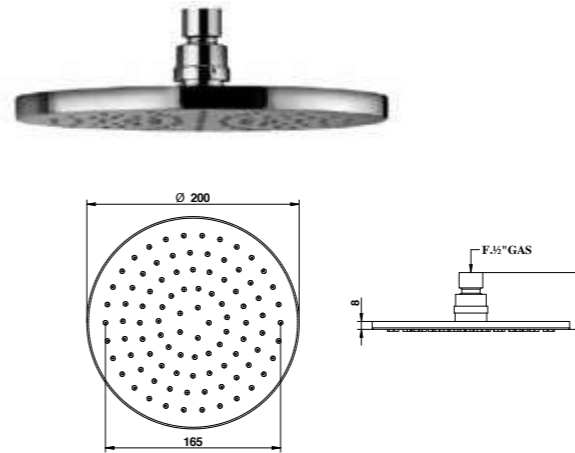
Sistema anticalcare Fast Clean. Pressione dinamica minima di utilizzo 0,5-1 bar. Portata a pressione dinamica 3 bar - 8 l/min. / Fast Clean shower. Minimum dynamic pressure of use 0,5-1 bar. Flow rates at dynamic pressure 3 bar - 8 l/min.

Non disponibile in TT - BU - ON - BM / Not available TT - BU - ON - BM

880/PR

Soffione doccia tondo \varnothing 200 mm **ispezionabile.**

\varnothing 200 mms round shower head **inspectable.**



ARTICOLO COMPLETO / COMPLETE ITEM

880CRPR
CR

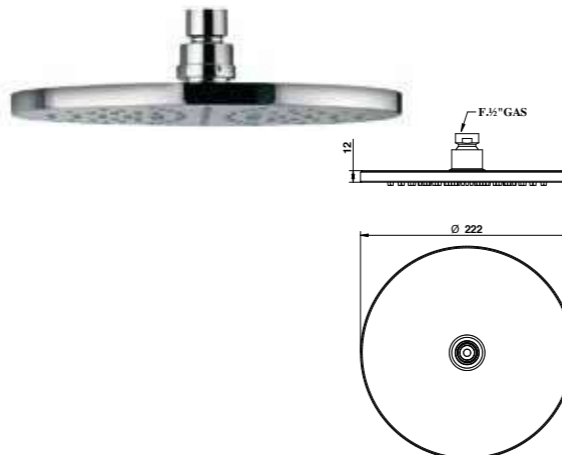
Sistema anticalcare Fast Clean. Pressione dinamica minima di utilizzo 0,5 bar. Portata a pressione dinamica: con limitatore 1-5 bar - 8 l/min. / Fast Clean shower. Minimum dynamic pressure of use 0,5 bar. Flow rates at dynamic pressure: with limitation system 1-5 bar - 8 l/min.

Non disponibile in altre finiture. / Not available in other finishes.

880

Soffione doccia tondo \varnothing 222 mm **ispezionabile.**

\varnothing 222 mms round shower head **inspectable.**



ARTICOLO COMPLETO / COMPLETE ITEM

880CR00
CR880NS00
NS/NE/PL/BU/BI/WM/RM/ON880TT00
TT/FA/OR/AM/HM/NM/CM/IM/OM/
BM880OP00
OP/CN880XX00 *
XX

* XX: Per tutte le altre finiture fattibili riferirsi a questa fascia di prezzo. / Refer to this line of price for all other realizable finishes.

Sistema anticalcare Fast Clean. Pressione dinamica minima di utilizzo 1 bar. Portata a pressione dinamica: con limitatore 1-5 bar - 8 l/min. / Fast Clean shower. Minimum dynamic pressure of use 1 bar. Flow rates at dynamic pressure: with limitation system 1-5 bar - 8 l/min.

886/PR NEW

Soffione doccia tondo \varnothing 200 mm **in ABS non ispezionabile.**

\varnothing 200 mms. **ABS** round shower head **not inspectable.**



ARTICOLO COMPLETO / COMPLETE ITEM

886CRPR
CR886NEPR
NE

Sistema anticalcare Fast Clean. Pressione dinamica minima di utilizzo 0,5 bar. Portata a pressione dinamica 3 bar - 9 l/min. / Fast Clean shower. Minimum dynamic pressure of use 0,5 bar. Flow rates at dynamic pressure 3 bar - 9 l/min.

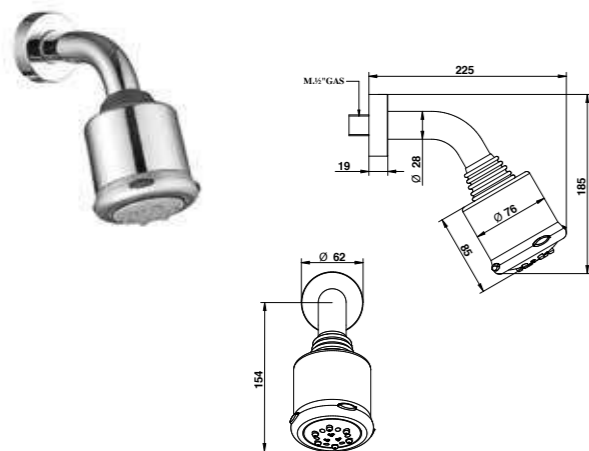
Non disponibile in altre finiture. / Not available in other finishes.

FINITURE E COLORI / FINISHES AND COLOURS



748/PR

Braccio doccia con soffione Ø 76 mm. Shower arm with shower head with 3 getti **non ispezionabile.** functions **not inspectable.**



ARTICOLO COMPLETO / COMPLETE ITEM

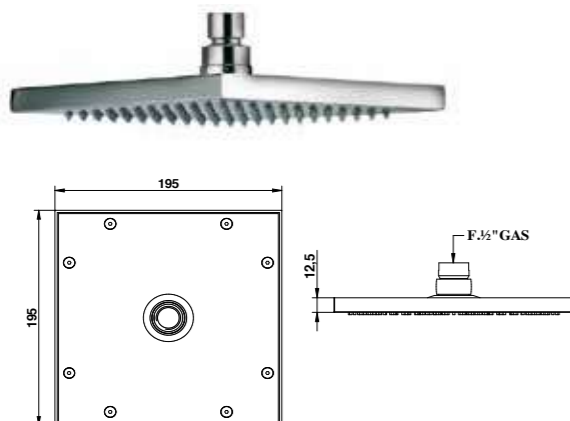
748CRPR
CR

Sistema anticalcare Fast Clean. Pressione dinamica minima di utilizzo 0,5 bar. Portata a pressione dinamica 3 bar - 14 l/min. / Fast Clean shower. Minimum dynamic pressure of use 0,5 bar. Flow rates at dynamic pressure 3 bar - 14 l/min.

Non disponibile in altre finiture. / Not available in other finishes.

881

Soffione doccia quadro 200x200 mm, 200x200 mms. square shower head, **ispezionabile per manutenzione.** **inspectable for maintenance.**



ARTICOLO COMPLETO / COMPLETE ITEM

881CR00
CR

881NS00
NS/NE/BI/PL/BU/ON

881TT00
TT/FA/OR/AM/HM/NM/CM/WM/RM/
BM/IM/OM

881OP00
OP/CN

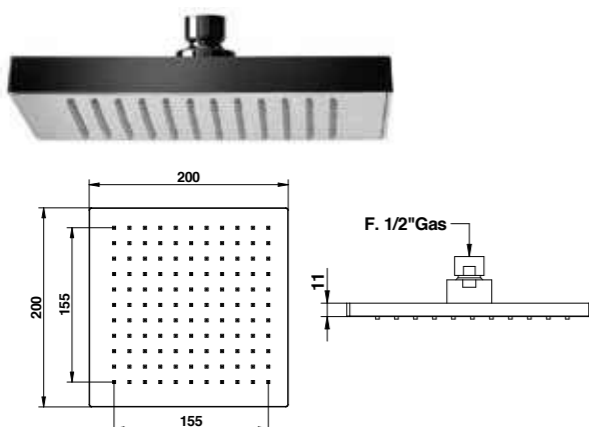
881XX00 *
XX

* XX: Per tutte le altre finiture fattibili riferirsi a questa fascia di prezzo. / Refer to this line of price for all other realizable finishes.

Sistema anticalcare Fast Clean. Pressione dinamica minima di utilizzo 0,5 bar. Portata a pressione dinamica 3 bar - 8 l/min. / Fast Clean shower. Minimum dynamic pressure of use 0,5 bar. Flow rates at dynamic pressure 3 bar - 8 l/min.

887/PR

Soffione doccia quadro 200x200 mm in ABS **non ispezionabile.** 200x200 mms. **ABS** square shower head **not inspectable.**



ARTICOLO COMPLETO / COMPLETE ITEM

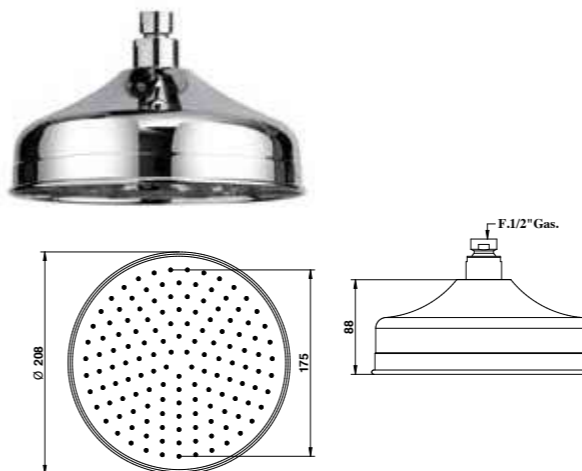
887CRPR
CR

Sistema anticalcare Fast Clean. Pressione dinamica minima di utilizzo 0,5 bar. Portata a pressione dinamica 3 bar - 9 l/min. / Fast Clean shower. Minimum dynamic pressure of use 0,5 bar. Flow rates at dynamic pressure 3 bar - 9 l/min.

Non disponibile in altre finiture. / Not available in other finishes.

10860/PR

Soffione doccia tondo **non ispezionabile.** Round shower head **not inspectable.**



ARTICOLO COMPLETO / COMPLETE ITEM

10860CRPR
CR

10860ONPR
ON

10860FAPR
FA/OR/AM

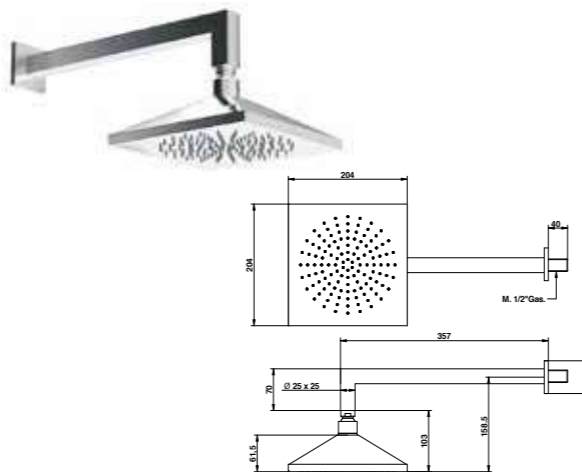
10860XXPR *
XX

* XX: Per tutte le altre finiture fattibili riferirsi a questa fascia di prezzo. / Refer to this line of price for all other realizable finishes.

Sistema anticalcare Fast Clean. Pressione dinamica minima di utilizzo 0,5 bar. Portata a pressione dinamica 3 bar - 10 l/min. / Fast Clean shower. Minimum dynamic pressure of use 0,5 bar. Flow rates at dynamic pressure 3 bar - 10 l/min.

01881

Soffione doccia con braccio **non ispezionabile.** Shower head with arm **not inspectable.**



ARTICOLO COMPLETO / COMPLETE ITEM

01881CR00
CR

01881NS00
NS/NE

01881CN00
CN/OR/NM/HM/AM

01881XX00 *
XX

* XX: Per tutte le altre finiture fattibili riferirsi a questa fascia di prezzo. / Refer to this line of price for all other realizable finishes.

Sistema anticalcare Fast Clean. Pressione dinamica minima di utilizzo 1 bar. Portata a pressione dinamica: con limitatore 1-5 bar - 8 l/min. / Fast Clean shower. Minimum dynamic pressure of use 1 bar. Flow rates at dynamic pressure: with limitation system 1-5 bar - 8 l/min.

Non disponibile in BM - BU - ON - TT / Not available BM - BU - ON - TT

FINITURE E COLORI / FINISHES AND COLOURS



Schema di portata e istruzioni di installazione su richiesta o sul sito www.bongio.com
Flow chart and installation instructions on request or on the website www.bongio.com

BRACCI DOCCIA
SHOWER ARMS



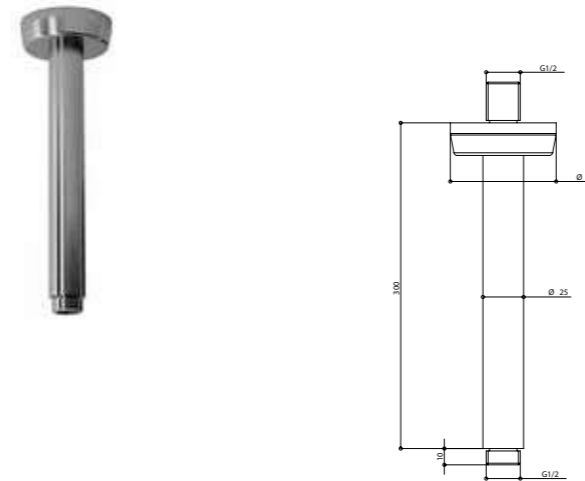
Art. 00883CR25R7PR + 00802CR30PR

FINITURE E COLORI / FINISHES AND COLOURS



70804 TIME2020 - INOX 316

Braccio doccia a soffitto da 300 mm in acciaio spazzolato 316. 316 brushed stainless steel mms. 300 ceiling shower arm.



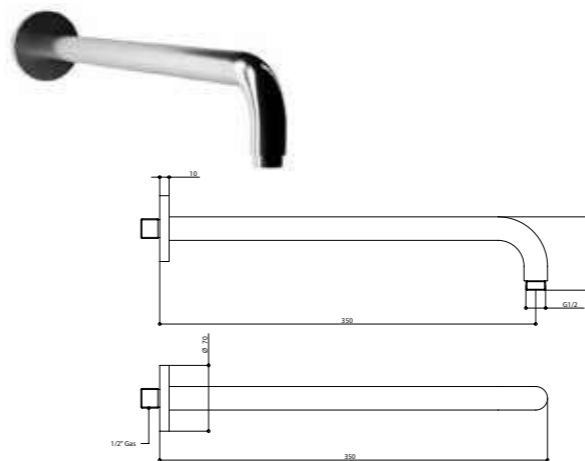
ARTICOLO COMPLETO / COMPLETE ITEM

70804AS00
AS

Non disponibile in altre finiture. / Not available in other finishes.

70802/35 TIME2020 - INOX 316

Braccio doccia 350 mm in acciaio spazzolato 316. 316 brushed stainless steel 350 mms. shower arm.



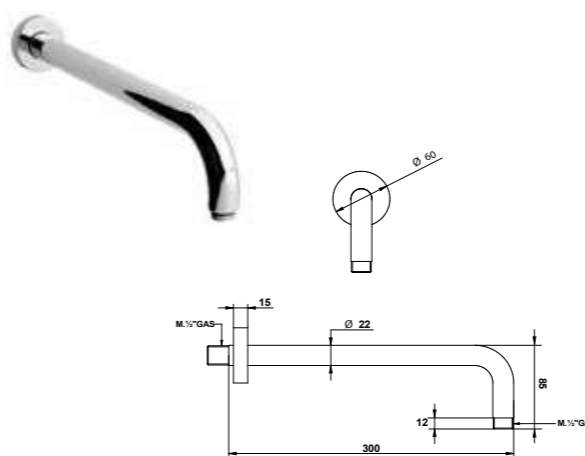
ARTICOLO COMPLETO / COMPLETE ITEM

70802AS35
AS

Non disponibile in altre finiture. / Not available in other finishes.

802/30PR

Braccio doccia 300 mm. Mms. 300 shower arm.



ARTICOLO COMPLETO / COMPLETE ITEM

802CR30PR
CR
802NS30PR
NS/NE/BI/RS/RB
802PL30PR
PL/WM/ON/BU/BM
802OR30PR
OR/AM/NM/CM/OM/IM
802CN30PR
CN/TT/FA/OP
802XX30PR *
XX

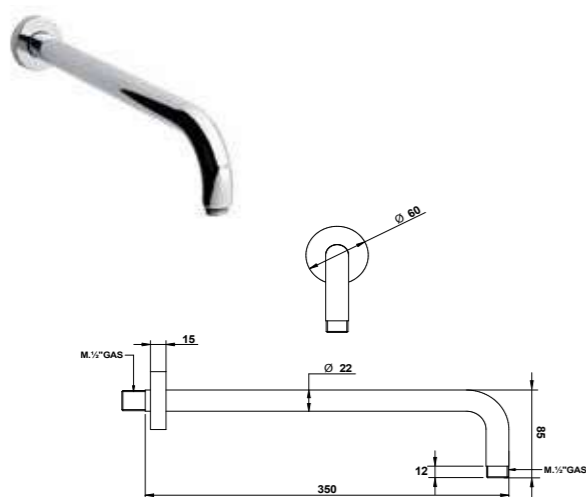
* XX: Per tutte le altre finiture fattibili riferirsi a questa fascia di prezzo. / Refer to this line of price for all other realizable finishes.

Disponibile in altre misure / Available in other dimensions

Schema di portata e istruzioni di installazione su richiesta o sul sito www.bongio.com
Flow chart and installation instructions on request or on the website www.bongio.com

802/35PR

Braccio doccia 350 mm. Mms. 350 shower arm.



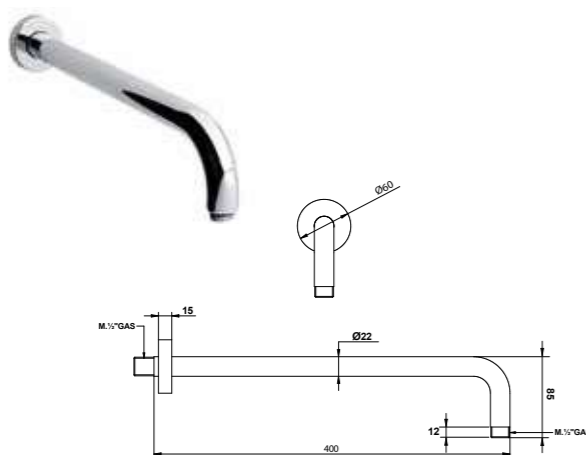
ARTICOLO COMPLETO / COMPLETE ITEM

- 802CR35PR**
CR
- 802NS35PR**
NS/NE/BI
- 802PL35PR**
PL/WM/BM/ON/BU
- 802OR35PR**
OR/AM/CM/NM/OM/IM
- 802CN35PR**
CN/TT/FA/OP
- 802XX35PR ***
XX

* XX: Per tutte le altre finiture fattibili riferirsi a questa fascia di prezzo. / Refer to this line of price for all other realizable finishes.

802/40PR

Braccio doccia 400 mm. Mms. 400 shower arm.



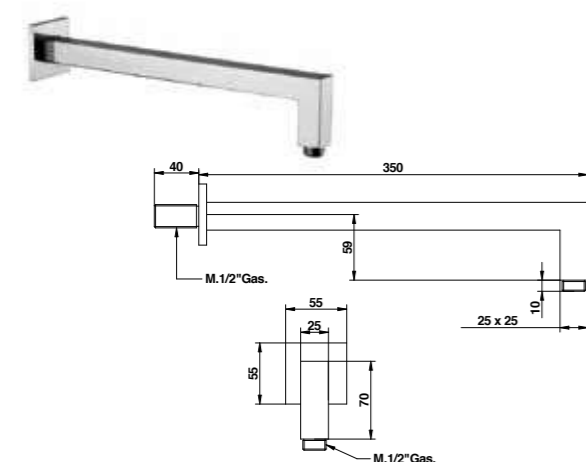
ARTICOLO COMPLETO / COMPLETE ITEM

- 802CR40PR**
CR
- 802NS40PR**
NS/NE/BI
- 802PL40PR**
PL/WM/ON/BU
- 802OR40PR**
OR/AM/CM/NM/OM/IM
- 802CN40PR**
CN/TT/FA/OP
- 802XX40PR ***
XX

* XX: Per tutte le altre finiture fattibili riferirsi a questa fascia di prezzo. / Refer to this line of price for all other realizable finishes.

806/PR

Braccio doccia quadro 350 mm. Mms 350 shower arm square section.



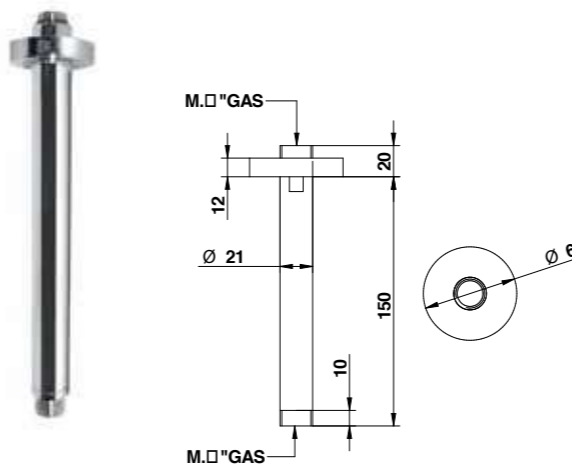
ARTICOLO COMPLETO / COMPLETE ITEM

- 806CRPR**
CR
- 806NSPR**
NS/NE/BI
- 806PLPR**
PL
- 806ORPR**
OR/AM
- 806CNPR**
CN/OP/OM/HM/NM
- 806XXPR ***
XX

* XX: Per tutte le altre finiture fattibili riferirsi a questa fascia di prezzo. / Refer to this line of price for all other realizable finishes.

804/15PR

Braccio doccia soffitto da 150 mm. Mms. 150 ceiling shower arm.



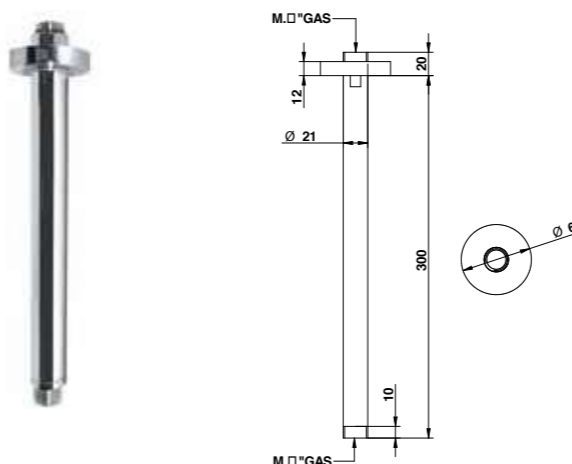
ARTICOLO COMPLETO / COMPLETE ITEM

- 804CR15PR**
CR
- 804NS15PR**
NS/NE/BI
- 804PL15PR**
PL/BM/ON/BU
- 804OR15PR**
OR/HM/AM/NM
- 804CN15PR**
CN/TT/FA/OP
- 804XX15PR ***
XX

* XX: Per tutte le altre finiture fattibili riferirsi a questa fascia di prezzo. / Refer to this line of price for all other realizable finishes.

804/30PR

Braccio doccia soffitto da 300 mm. Mms. 300 ceiling shower arm.



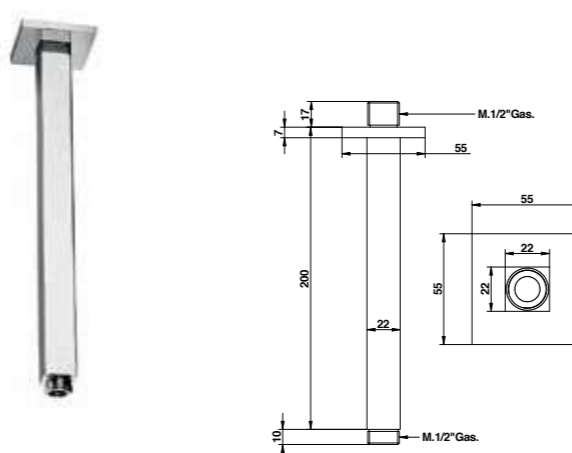
ARTICOLO COMPLETO / COMPLETE ITEM

- 804CR30PR**
CR
- 804NS30PR**
NS/NE/BI
- 804PL30PR**
PL/BM/ON/BU
- 804OR30PR**
OR/HM/AM/NM
- 804CN30PR**
CN/TT/FA/OP
- 804XX30PR ***
XX

* XX: Per tutte le altre finiture fattibili riferirsi a questa fascia di prezzo. / Refer to this line of price for all other realizable finishes.

801/20PR

Braccio doccia a soffitto da 200 mm, sezione quadra. Mms. 200 ceiling shower arm, square section.



ARTICOLO COMPLETO / COMPLETE ITEM

- 801CR20PR**
CR
- 801NS20PR**
NS/NE/BI
- 801PL20PR**
PL/BM/ON/BU
- 801OR20PR**
OR/HM/AM/NM
- 801OP20PR**
OP/TT/FA/CN
- 801XX20PR ***
XX

* XX: Per tutte le altre finiture fattibili riferirsi a questa fascia di prezzo. / Refer to this line of price for all other realizable finishes.

FINITURE E COLORI / FINISHES AND COLOURS

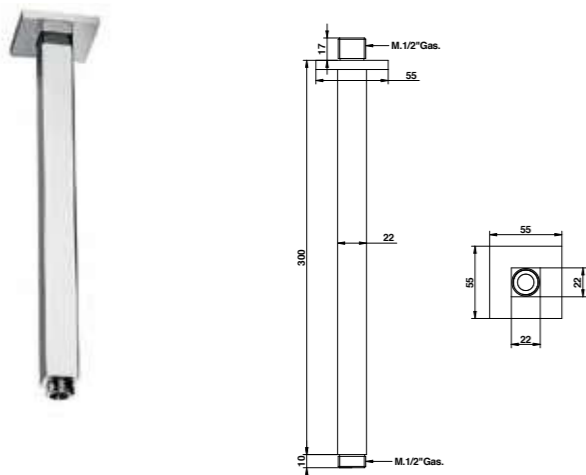


Schema di portata e istruzioni di installazione su richiesta o sul sito www.bongio.com
Flow chart and installation instructions on request or on the website www.bongio.com

801/30PR

Braccio doccia a soffitto da 300 mm, sezione quadra.

Mms. 300 ceiling shower arm, square section.



ARTICOLO COMPLETO / COMPLETE ITEM

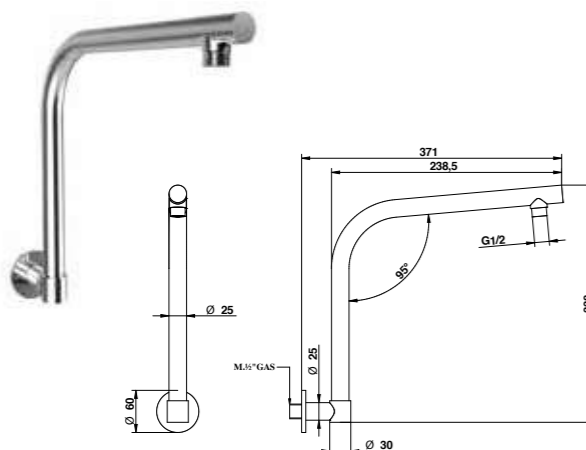
801CR30PR
CR801NE30PR
NE/BI/NS801PL30PR
PL/BM/ON/BU801OR30PR
OR/HM/AM/NM801OP30PR
OP/CN/TT/FA801XX30PR *
XX

* XX: Per tutte le altre finiture fattibili riferirsi a questa fascia di prezzo. / Refer to this line of price for all other realizable finishes.

796/RPR

Braccio doccia ad arco orientabile tondo. Rotazione 180°.

Round orientable shower arm. 180° rotation.



ARTICOLO COMPLETO / COMPLETE ITEM

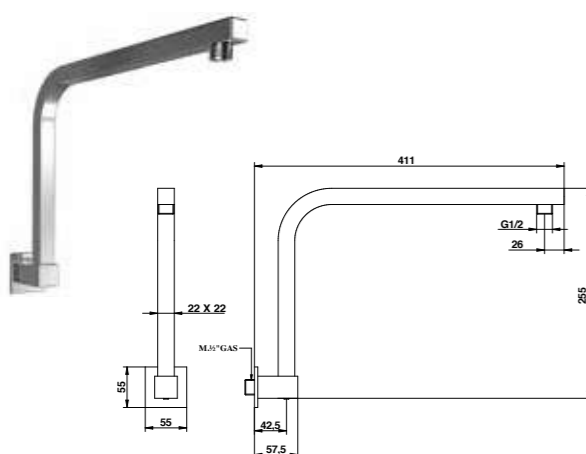
00796CR0RPR
CR00796NS0RPR
NS/PL00796OR0RPR
OR/OP

Non disponibile in altre finiture. / Not available in other finishes.

796/QPR

Braccio doccia ad arco orientabile quadro. Rotazione 180°.

Square orientable shower arm. 180° rotation.



ARTICOLO COMPLETO / COMPLETE ITEM

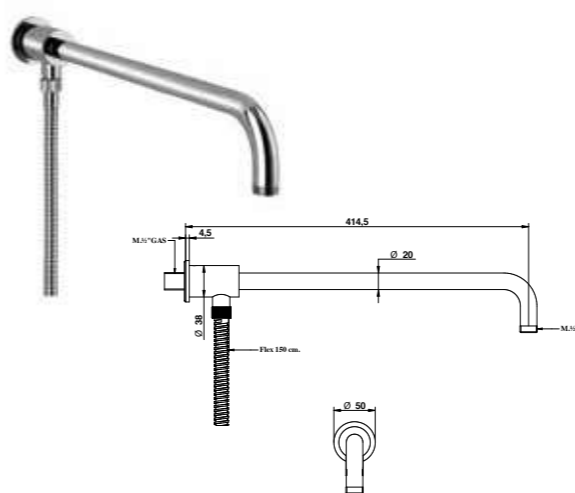
00796CR0QPR
CR00796NS0QPR
NS/PL00796OR0QPR
OR/OP

Non disponibile in altre finiture. / Not available in other finishes.

795/PR

Braccio doccia con deviatore e flessibile.

Shower arm with diverter and flexible hose.



ARTICOLO COMPLETO / COMPLETE ITEM

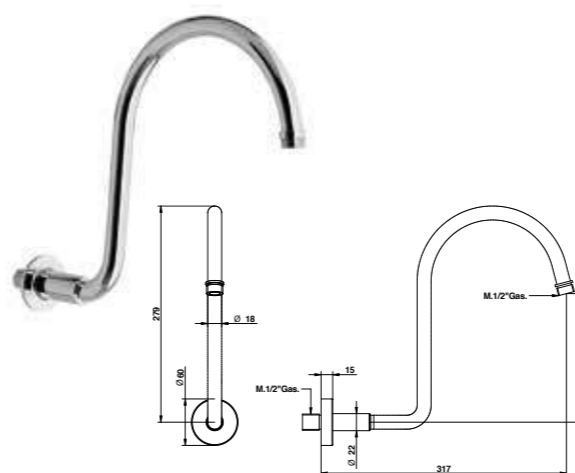
00795CRPR
CR

Non disponibile in altre finiture. / Not available in other finishes.

793

Braccio doccia ad arco classico.

Classical shower arm.



ARTICOLO COMPLETO / COMPLETE ITEM

00793CR00
CR00793OR00
OR/NE/BI/BM/PL/ON/BU/NS00793XX00 *
XX

* XX: Per tutte le altre finiture fattibili riferirsi a questa fascia di prezzo. / Refer to this line of price for all other realizable finishes.

FINITURE E COLORI / FINISHES AND COLOURS



BODY JET



Art. 00882TT00 + 00804TT15PR
 Art. 68524TTPR - Art. 00866TTOR

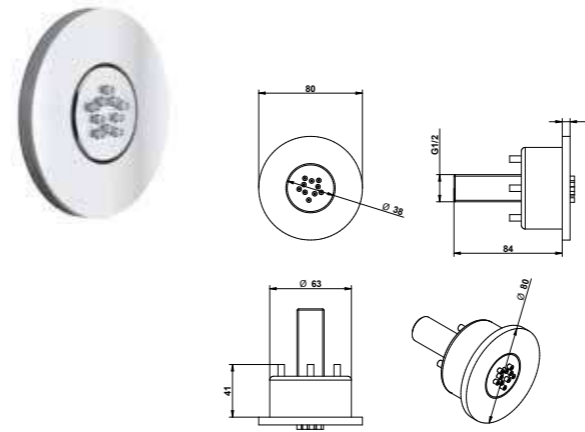
FINITURE E COLORI / FINISHES AND COLOURS



867/IROT NEW

Body jet incasso tondo in abs, orientabile, getto pioggia.

Built-in abs round orientable body spray, rain function.



ARTICOLO COMPLETO / COMPLETE ITEM

867CRIROT
CR

867ONIROT
ON/BU

867NSIROT
NS/NE/BI/WM/RB/PL

867OMIROT
OM/NM/HM/CM/IM/AM/BM/TT/FA/
OP/OR

867XXIROT *
XX

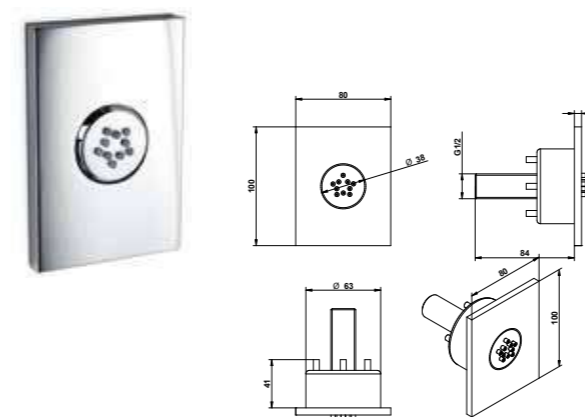
* XX: Per tutte le altre finiture fattibili riferirsi a questa fascia di prezzo. / Refer to this line of price for all other realizable finishes.

Sistema anticalcare Fast Clean. Pressione dinamica minima di utilizzo 1 bar. Portata a pressione dinamica: con limitatore 1-5 bar - 4 l/min. / Fast Clean shower. Minimum dynamic pressure of use 1 bar. Flow rates at dynamic pressure: with limitation system 1-5 bar - 4 l/min.

867/IQOT NEW

Body jet incasso rettangolare in abs, orientabile, getto pioggia.

Built-in abs rectangular orientable body spray, rain function.



ARTICOLO COMPLETO / COMPLETE ITEM

867CRIQOT
CR

867ONIQOT
ON/BU

867NSIQOT
NS/NE/BI/WM/RB/PL

867OMIQOT
OM/AM/HM/CM/IM/NM/BM/TT/FA/
OP/OR

867XXIQOT *
XX

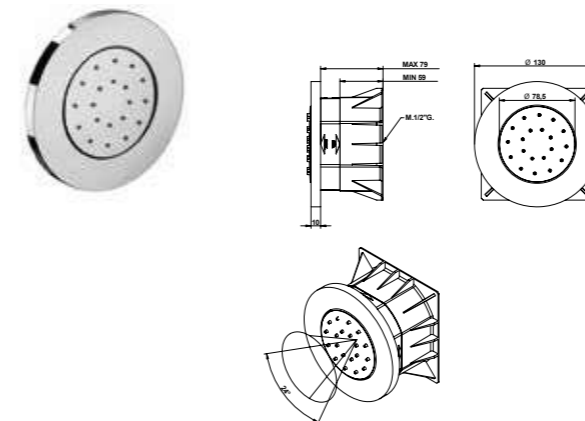
* XX: Per tutte le altre finiture fattibili riferirsi a questa fascia di prezzo. / Refer to this line of price for all other realizable finishes.

Sistema anticalcare Fast Clean. Pressione dinamica minima di utilizzo 1 bar. Portata a pressione dinamica: con limitatore 1-5 bar - 4 l/min. / Fast Clean shower. Minimum dynamic pressure of use 1 bar. Flow rates at dynamic pressure: with limitation system 1-5 bar - 4 l/min.

867/NR

Body jet incasso tondo in abs, orientabile, getto pioggia. È dotato di limitatore di portata 4 l/min.

Built-in abs round orientable body spray, rain function. Has a limitation system to 4 l/m.



ARTICOLO COMPLETO / COMPLETE ITEM

867CRNR
CR

867NSNR
NS/PL

867ORNR
OR

867OPNR
OP

Sistema anticalcare Fast Clean. Pressione dinamica minima di utilizzo 1 bar. Portata a pressione dinamica: con limitatore 1-5 bar - 4 l/min. / Fast Clean shower. Minimum dynamic pressure of use 1 bar. Flow rates at dynamic pressure: with limitation system 1-5 bar - 4 l/min.

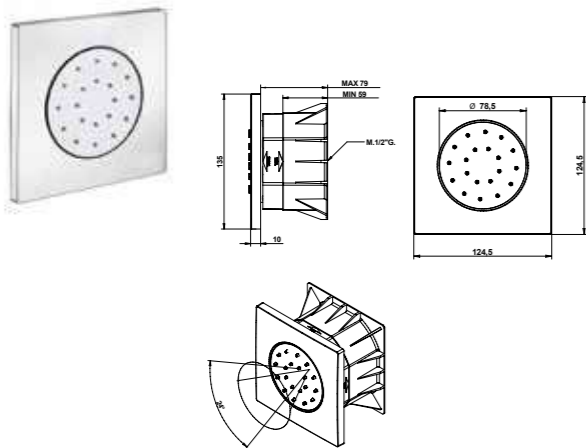
Non disponibile in altre finiture. / Not available in other finishes.

Schema di portata e istruzioni di installazione su richiesta o sul sito www.bongio.com
 Flow chart and installation instructions on request or on the website www.bongio.com

867/NQ

Body jet incasso quadro in abs, orientabile, getto pioggia. È dotato di limitatore di portata 4 l/min.

Built-in abs square orientable body spray, rain function. Has a limitation system to 4 l/m.



ARTICOLO COMPLETO / COMPLETE ITEM

867CRNQ
CR

867NSNQ
NS/PL

867ORNQ
OR

867OPNQ
OP

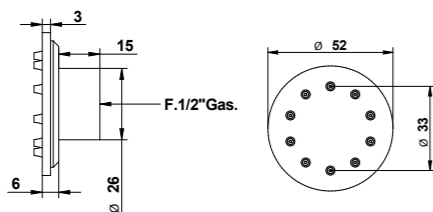
Sistema anticalcare Fast Clean. Pressione dinamica minima di utilizzo 1 bar. Portata a pressione dinamica: con limitatore 1-5 bar - 4 l/min. / Fast Clean shower. Minimum dynamic pressure of use 1 bar. Flow rates at dynamic pressure: with limitation system 1-5 bar - 4 l/min.

Non disponibile in altre finiture. / Not available in other finishes.

70867/RO INOX

Soffioncino laterale tondo, getto pioggia in acciaio spazzolato 316.

316 brushed stainless steel round body spray, rain function.



ARTICOLO COMPLETO / COMPLETE ITEM

70867ASRO
AS

70867CRRO
CR

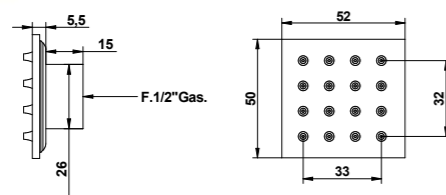
Sistema anticalcare Fast Clean. Pressione dinamica minima di utilizzo 1 bar. Portata a pressione dinamica: con limitatore 1-5 bar - 5 l/min. / Fast Clean shower. Minimum dynamic pressure of use 1 bar. Flow rates at dynamic pressure: with limitation system 1-5 bar - 5 l/min.

Non disponibile in altre finiture. / Not available in other finishes.

70867/QU INOX

Soffioncino laterale quadrato, getto a pioggia in acciaio spazzolato 316.

316 brushed stainless steel square body spray, rain function.



ARTICOLO COMPLETO / COMPLETE ITEM

70867ASQU
AS

70867CRQU
CR

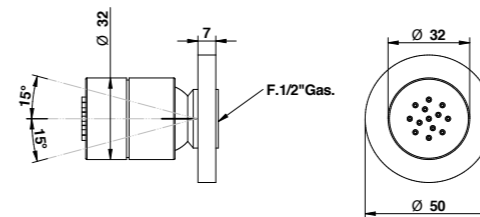
Sistema anticalcare Fast Clean. Pressione dinamica minima di utilizzo 1 bar. Portata a pressione dinamica: con limitatore 1-5 bar - 6 l/min. / Fast Clean shower. Minimum dynamic pressure of use 1 bar. Flow rates at dynamic pressure: with limitation system 1-5 bar - 6 l/min.

Non disponibile in altre finiture. / Not available in other finishes.

867/RO

Soffioncino laterale tondo, orientabile, getto pioggia.

Orientable body spray shower, rain function.



ARTICOLO COMPLETO / COMPLETE ITEM

867CRRO
CR

867NSRO
NS/PL

867ORRO
OR

867OPRO
OP

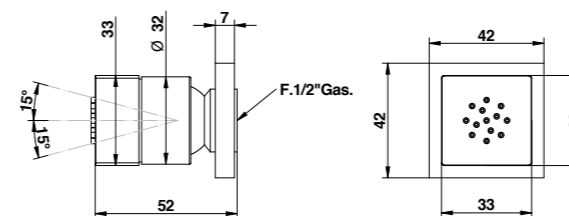
Sistema anticalcare Fast Clean. Pressione dinamica minima di utilizzo 1 bar. Portata a pressione dinamica: con limitatore 1-5 bar - 1,75 l/min. / Fast Clean shower. Minimum dynamic pressure of use 1 bar. Flow rates at dynamic pressure: with limitation system 1-5 bar - 1,75 l/min.

Non disponibile in altre finiture. / Not available in other finishes.

867/QU

Soffioncino laterale quadrato, orientabile, getto pioggia.

Orientable body spray shower, rain function.



ARTICOLO COMPLETO / COMPLETE ITEM

867CRQU
CR

867NSQU
NS/PL

867ORQU
OR

867OPQU
OP

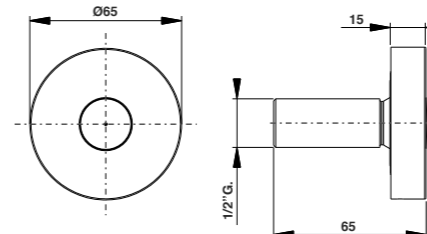
Sistema anticalcare Fast Clean. Pressione dinamica minima di utilizzo 1 bar. Portata a pressione dinamica: con limitatore 1-5 bar - 1,75 l/min. / Fast Clean shower. Minimum dynamic pressure of use 1 bar. Flow rates at dynamic pressure: with limitation system 1-5 bar - 1,75 l/min.

Non disponibile in altre finiture. / Not available in other finishes.

866/R NEBULIZZAZIONE / NEBULIZATION

Soffioncino laterale tondo getto nebulizzato.

Round body spray, nebulizer jet.



ARTICOLO COMPLETO / COMPLETE ITEM

866CROR
CR

866NSOR
NS/NE

866BMOR*
BM/CN

866FAOR*
FA/AM/OR/NM/TT

866XXOR □
XX

* Nelle varianti colore verniciate e satinare alcuni particolari saranno in finitura galvanica per garantire gli standard qualitativi. / To assure our quality standard on colored product, some details remain in chrome.
□ XX: Per tutte le altre finiture fattibili riferirsi a questa fascia di prezzo. / Refer to this line of price for all other realizable finishes.

Sistema anticalcare Fast Clean. Pressione dinamica minima di utilizzo 1 bar. Portata a pressione dinamica: con limitatore 1-5 bar - 4 l/min. / Fast Clean shower. Minimum dynamic pressure of use 1 bar. Flow rates at dynamic pressure: with limitation system 1-5 bar - 4 l/min.

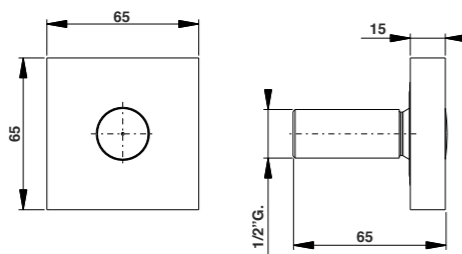
FINITURE E COLORI / FINISHES AND COLOURS



Schema di portata e istruzioni di installazione su richiesta o sul sito www.bongio.com
Flow chart and installation instructions on request or on the website www.bongio.com

866/Q NEBULIZZAZIONE / NEBULIZATION

Soffioncino laterale quadro getto nebulizzato. Square body spray, nebulizer jet.



ARTICOLO COMPLETO / COMPLETE ITEM

866CROQ
CR

866NSOQ
NS/NE

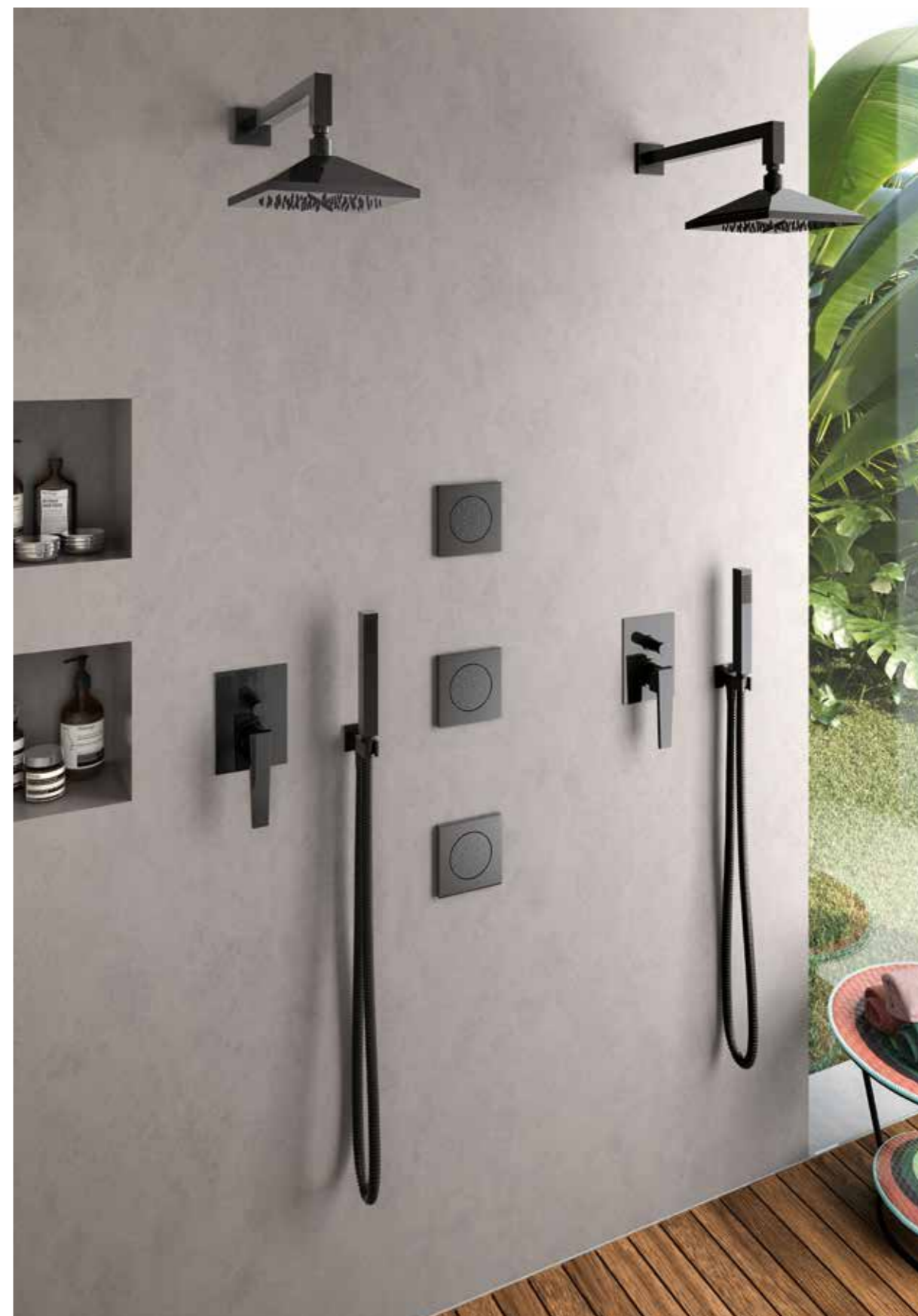
866BMOQ *
BM/CN

866FAOQ *
FA/AM/OR/NM/TT

866XOQ □
XX

* Nelle varianti colore verniciate e satinare alcuni particolari saranno in finitura galvanica per garantire gli standard qualitativi. / To assure our quality standard on colored product, some details remain in chrome.
□ XX: Per tutte le altre finiture fattibili riferirsi a questa fascia di prezzo. / Refer to this line of price for all other realizable finishes.

Sistema anticalcare Fast Clean. Pressione dinamica minima di utilizzo 1 bar. Portata a pressione dinamica: con limitatore 1-5 bar - 4 l/min. / Fast Clean shower. Minimum dynamic pressure of use 1 bar. Flow rates at dynamic pressure: with limitation system 1-5 bar - 4 l/min.



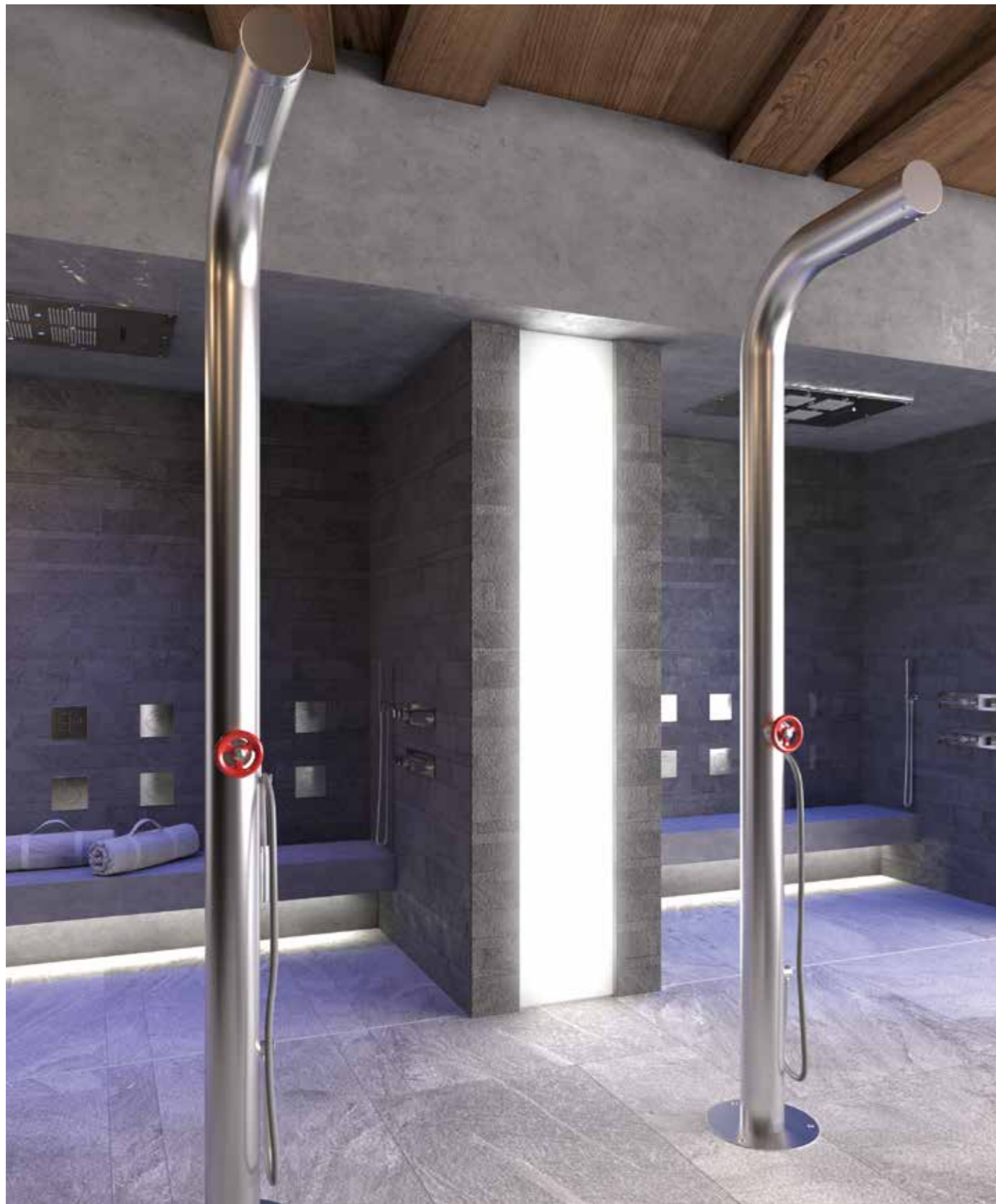
Art. 01519CN03
Art. 01881CN00
Art. 00867CNNQ
Art. 00834CNB1

FINITURE E COLORI / FINISHES AND COLOURS



Schema di portata e istruzioni di installazione su richiesta o sul sito www.bongio.com
Flow chart and installation instructions on request or on the website www.bongio.com

COLONNE DOCCIA SHOWER COLUMNS



Art. 32131ASRS
Colonna doccia in acciaio 316
316 stainless steel shower column

FINITURE E COLORI / FINISHES AND COLOURS

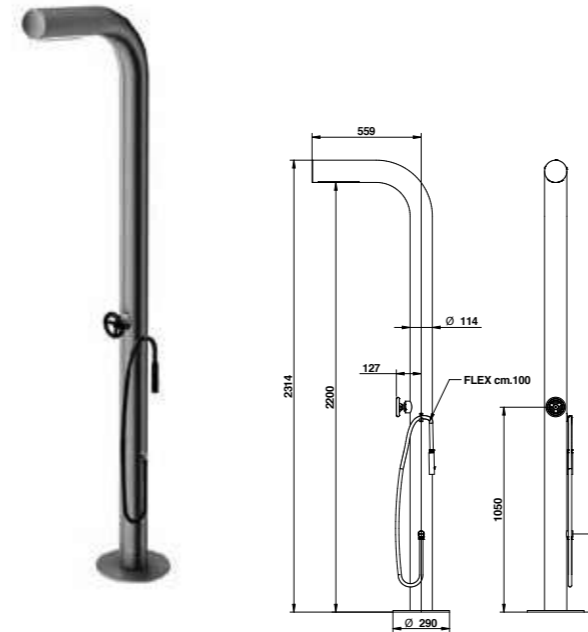


32131

Colonna doccia a pavimento in acciaio con scatola incasso, miscelatore, doccia, lavapiedi monoacqua.

Steel free standing shower column with built-in box, mixer, feeth monowater cleaning handshower.

Dettaglio flessibili / Flexible details pag. 42



ARTICOLO COMPLETO / COMPLETE ITEM

32131ASNE
ASNE/ASRS/NENE/NERS

PARTE INCASSO
BUILT-IN PART

PARTE ESTERNA DA ABBINARE
EXTERNAL MATCHING PART

FINITURE / FINISHES

32131SCAT

32131ASNEEU
ASNE/ASRS/NENE/NERS

Non disponibile in altre finiture. / Not available in other finishes.

RICAMBI / SPARE PARTS

	9822		928AS00 *
--	------	--	-----------

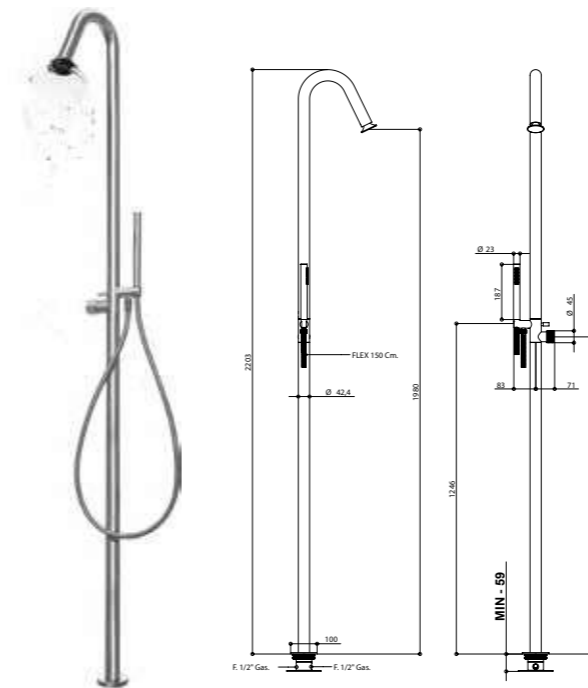
* Completo di flessibile / With flexible

70131/OD (71131 * - 73131 * - 69131 *)

Colonna doccia a pavimento in acciaio spazzolato 316 con miscelatore a cartuccia progressiva, deviatore, set doccia e regolazione effetto bolla acqua.

316 brushed stainless steel floor mounted shower column with progressive cartridge, diverter, shower set and flow regulation "bubble" effect.

Dettaglio flessibili / Flexible details pag. 42



ARTICOLO COMPLETO / COMPLETE ITEM

70131AS0D
AS

PARTE INCASSO
BUILT-IN PART

PARTE ESTERNA DA ABBINARE
EXTERNAL MATCHING PART

FINITURE / FINISHES

09744AS00

70131AS0DEU
71131AS0DEU *
73131AS0DEU *
AS

69131AS0DEU *
AS

70131NE0DEU
73131NE0DEU
NE

*Disponibile con cartuccia tradizionale e maniglia acciaio e teak / Available with traditional cartridge and steel and teak handle

◻ Nelle varianti colore verniciate e satinare alcuni particolari saranno in finitura galvanica per garantire gli standard qualitativi. / To assure our quality standard on colored and satin product, some details remain in galvanic finishes.

Non disponibile in altre finiture. / Not available in other finishes.

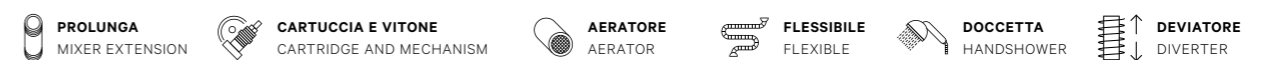
RICAMBI / SPARE PARTS

	9822 *		9896 ◻
	9600ASPV		70850AS
	00137AS		

* Cartuccia progressiva / Progressive cartridge

◻ Cartuccia tradizionale / Traditional cartridge

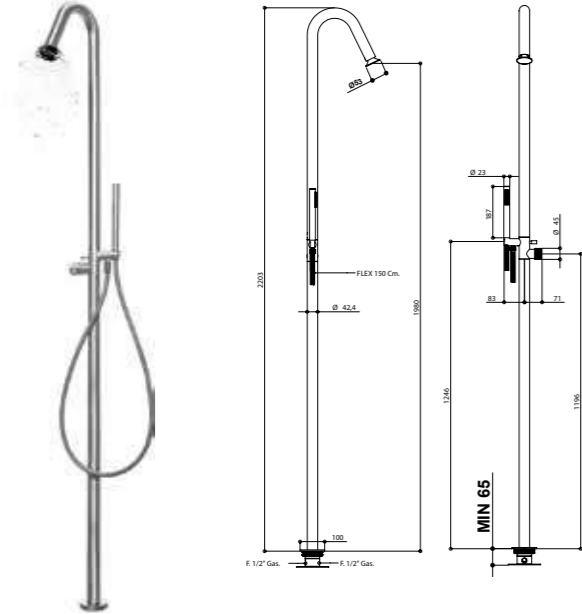
ACCESSORI E RICAMBI / ACCESSORIES AND SPARE PARTS



70131/RD (71131 * - 73131 * - 69131 *)

Colonna doccia a pavimento in acciaio spazzolato 316 con miscelatore progressivo, deviatore, doccetta ed erogazione a pioggia. 316 brushed stainless steel free standing shower column with progressive cartridge, diverter, shower set and rain shower erogation.

Dettaglio flessibili / Flexible details pag. 42



ARTICOLO COMPLETO / COMPLETE ITEM

70131ASRD
AS

PARTE INCASSO **PARTE ESTERNA DA ABBINARE**
BUILT-IN PART EXTERNAL MATCHING PART

FINITURE / FINISHES

09744AS00

70131ASRDEU
71131ASRDEU*
73131ASRDEU*
AS

69131ASRDEU
AS

70131NERDEU
73131NERDEU
NE

*Disponibile con cartuccia tradizionale e maniglia acciaio e teak / Available with traditional cartridge and steel and teak handle
 □ Nelle varianti colore verniciate e satinare alcuni particolari saranno in finitura galvanica per garantire gli standard qualitativi. / To assure our quality standard on colored and satin product, some details remain in galvanic finishes.

Non disponibile in altre finiture. / Not available in other finishes.

RICAMBI / SPARE PARTS

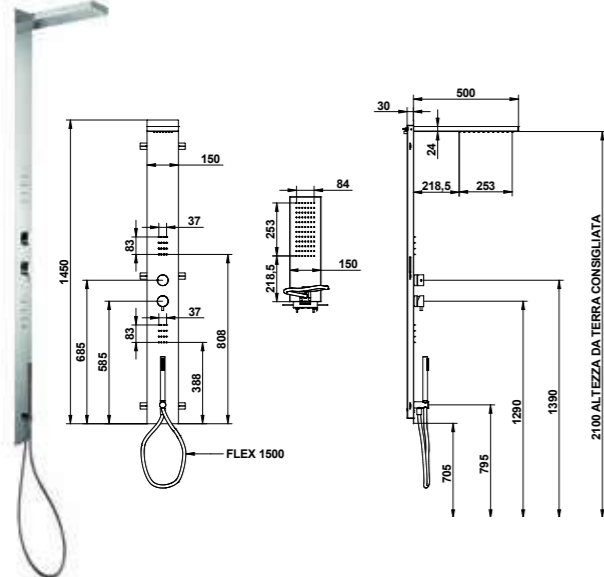
	9822 *		9896 □
	9600ASPV		70850AS
	00137AS		

* Cartuccia progressiva / Progressive cartridge
 □ Cartuccia tradizionale / Traditional cartridge

47133

Colonna doccia ad incasso con miscelatore tradizionale, deviatore, body jet, soffione e set doccia. Built in shower column with traditional mixer, diverter, body jet, shower head and handshower set.

Dettaglio flessibili / Flexible details pag. 42



RICAMBI / SPARE PARTS

	9813 *		9807/3 □
	9600CR		00850CROE
	9600XXPV □		00850XX00 □

ARTICOLO COMPLETO / COMPLETE ITEM

47133CR00
CR

PARTE INCASSO **PARTE ESTERNA DA ABBINARE**
BUILT-IN PART EXTERNAL MATCHING PART

FINITURE / FINISHES

47133SCAT

47133CREU
CR

47133NSEU
NS

47133NEEU*
NE

47133OREU
OR

* Nelle varianti colore verniciate e satinare alcuni particolari saranno in finitura galvanica per garantire gli standard qualitativi. / To assure our quality standard on colored and satin product, some details remain in galvanic finishes.

Sistema anticalcare Fast Clean. Pressione dinamica minima di utilizzo 0,5 bar. Portata a pressione dinamica 3 bar - 14,2 l/min, uscita doccia, uscita doccetta con limitazione 1-5 bar - 5 l/min. Uscita body-jet 13,2 l/min - 3 bar. / Fast Clean shower. Minimum dynamic pressure of use 0,5 bar. Flow rates at dynamic pressure shower exits 3 bar - 14,2 l/min, hand shower exit with limitation system 1-5 bar - 5 l/min, body-jet exit 13,2 l/min - 3 bar.

Non disponibile in altre finiture. / Not available in other finishes.

* Cartuccia miscelatrice / Mixer cartridge
 □ Cartuccia deviatrice / Diverter cartridge
 □ Per le finiture verniciate e satinare il flessibile verrà fornito in PVC nero. / The flexible hose will be supplied in black PVC for painted and matt finishes.
 □ Ricambio per finiture diverse dal cromo. / Spare part for different finishes.

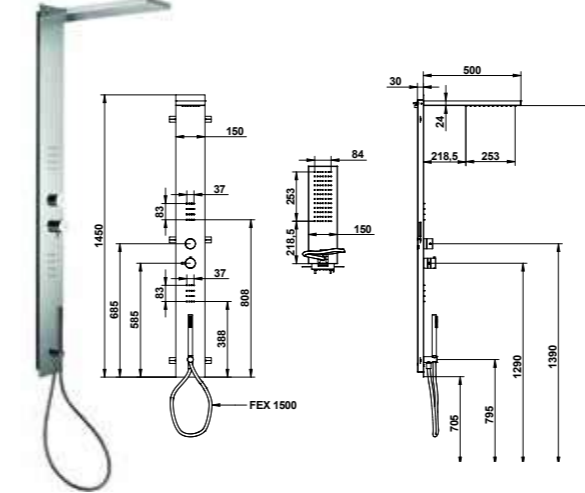
FINITURE E COLORI / FINISHES AND COLOURS



47133/T

Colonna doccia termostatica ad incasso con deviatore, body jet, soffione e set doccia. Built in shower column with thermostatic mixer, diverter, body jet, shower head and handshower set.

Dettaglio flessibili / Flexible details pag. 42



RICAMBI / SPARE PARTS

	9811 *		9807/3 □
	9600CR		00850
	9600XXPV □		00850XX00 □

ARTICOLO COMPLETO / COMPLETE ITEM

47133CR0T
CR

PARTE INCASSO **PARTE ESTERNA DA ABBINARE**
BUILT-IN PART EXTERNAL MATCHING PART

FINITURE / FINISHES

47133SCAT

47133CR0TEU
CR

47133NS0TEU
NS

47133NE0TEU
NE

47133OR0TEU
OR

Sistema anticalcare Fast Clean. Pressione dinamica minima di utilizzo 0,5 bar. Portata a pressione dinamica 3 bar - 14,2 l/min, uscita doccia, uscita doccetta con limitazione 1-5 bar - 5 l/min. Uscita body-jet 13,2 l/min - 3 bar. / Fast Clean shower. Minimum dynamic pressure of use 0,5 bar. Flow rates at dynamic pressure shower exits 3 bar - 14,2 l/min, hand shower exit with limitation system 1-5 bar - 5 l/min, body-jet exit 13,2 l/min - 3 bar.

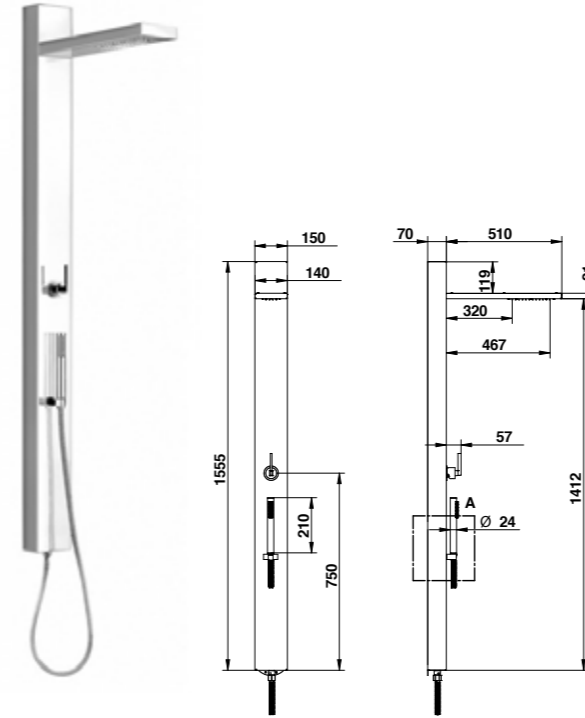
Non disponibile in altre finiture. / Not available in other finishes.

* Cartuccia miscelatrice / Mixer cartridge
 □ Cartuccia deviatrice / Diverter cartridge
 □ Per le finiture verniciate e satinare il flessibile verrà fornito in PVC nero. / The flexible hose will be supplied in black PVC for painted and matt finishes.
 □ Ricambio per finiture diverse dal cromo. / Spare part for different finishes.

46132/1

Colonna doccia con miscelatore, deviatore, soffione e set doccia. Shower column with, mixer, diverter, head, shower and handshower set.

Dettaglio flessibili / Flexible details pag. 42



ARTICOLO COMPLETO / COMPLETE ITEM

46132CR01
CR

46132AS01
AS

46132NE01
NE

Sistema anticalcare Fast Clean. Pressione dinamica minima di utilizzo 0,5 bar. Portata a pressione dinamica: uscita doccia con limitatore 1-5 bar - 6 l/min, uscita doccetta con limitatore 1-5 bar - 5 l/min. / Fast Clean shower. Minimum dynamic pressure of use 0,5 bar. Flow rates at dynamic pressure: shower exit with limitation system 1-5 bar - 6 l/min, handshower exit with limitation system 1-5 bar - 5 l/min.

Non disponibile in altre finiture. / Not available in other finishes.

RICAMBI / SPARE PARTS

	9813 *		9807 □
	9600CR		00850CROE
	70850AS00		00850XX00 □
	9600XXPV □		

* Cartuccia miscelatrice / Mixer cartridge
 □ Cartuccia di deviazione / Diverter cartridge
 □ Ricambio per finiture diverse dal cromo. / Spare part for different finishes.
 □ Per le finiture verniciate e satinare il flessibile verrà fornito in PVC nero. / The flexible hose will be supplied in black PVC for painted and matt finishes.

ACCESSORI E RICAMBI / ACCESSORIES AND SPARE PARTS

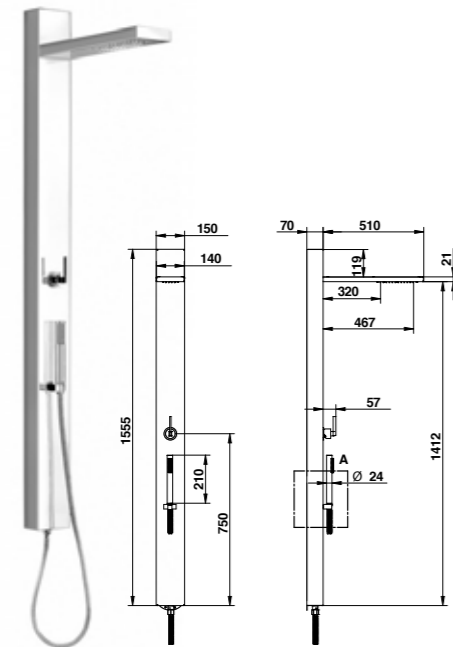


46132TT10

Colonna doccia con miscelatore, deviatore, soffione e set doccia. Base cromo con grafica Myamix Butterfly Blue.

Shower column with, mixer, diverter, head, shower and handshower set. Chrome combined together with Myamix Butterfly Blue.

GRAFICA / GRAPHIC



TT10 Myamix - Butterfly Blue

ARTICOLO COMPLETO / COMPLETE ITEM

46132TT10
CR

Sistema anticalcare Fast Clean. Pressione dinamica minima di utilizzo 0,5 bar. Portata a pressione dinamica: uscita doccia con limitatore 1-5 bar - 6 l/min, uscita doccetta con limitatore 1-5 bar - 5 l/min. / Fast Clean shower. Minimum dynamic pressure of use 0,5 bar. Flow rates at dynamic pressure: shower exit with limitation system 1-5 bar - 6 l/min, handshower exit with limitation system 1-5 bar - 5 l/min.

Non disponibile in altre finiture. / Not available in other finishes.

RICAMBI / SPARE PARTS

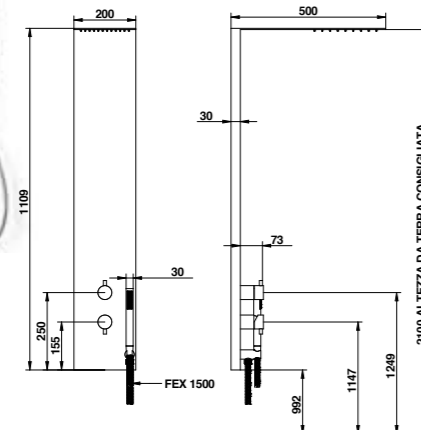
	9813 *		9600CR
	9807 ◊		00850CROE

* Cartuccia miscelatrice / Mixer cartridge
◊ Cartuccia di deviazione / Diverter cartridge

52131/PR

Colonna doccia esterna con miscelatore tradizionale, deviatore, soffione e set doccia. Per ristrutturazioni.

External shower column with traditional mixer, diverter, shower head and handshower kit. For renovation.



ARTICOLO COMPLETO / COMPLETE ITEM

52131CRPR
CR

52131NEPR *
NE

* Nelle varianti colore verniciate e satinare alcuni particolari saranno in finitura galvanica per garantire gli standard qualitativi. / To assure our quality standard on colored and satin product, some details remain in galvanic finishes.

Sistema anticalcare Fast Clean. Pressione dinamica minima di utilizzo 0,5 bar. Portata a pressione dinamica: uscita doccia con limitatore 1-5 bar - 6 l/min, uscita doccetta con limitatore 1-5 bar - 5 l/min. / Fast Clean shower. Minimum dynamic pressure of use 0,5 bar. Flow rates at dynamic pressure: shower exit with limitation system 1-5 bar - 6 l/min, handshower exit with limitation system 1-5 bar - 5 l/min.

Non disponibile in altre finiture. / Not available in other finishes.

RICAMBI / SPARE PARTS

	9813 *		9600CR
	9807 ◊		00850CROE
	00850XX00 ◻		9600XXPV ◻

* Cartuccia miscelatrice / Mixer cartridge
◊ Cartuccia deviatrice / Diverter cartridge
◻ Ricambio per finiture diverse dal cromo. / Spare part for different finishes.
◻ Per le finiture verniciate e satinare il flessibile verrà fornito in PVC nero. / The flexible hose will be supplied in black PVC for painted and matt finishes.

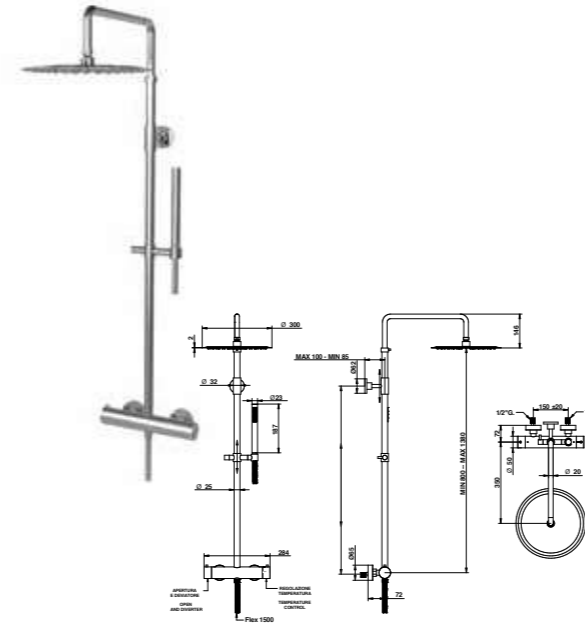
FINITURE E COLORI / FINISHES AND COLOURS



73547AS0D - INOX 316

Termostatico doccia esterno, con tubo, deviatore, soffione e set doccia in acciaio spazzolato 316.

316 Brushed stainless steel external thermostatic shower mixer with tube, diverter, shower head and handshower set.



ARTICOLO COMPLETO / COMPLETE ITEM

73547AS0D
AS

Sistema anticalcare Fast Clean. Pressione dinamica minima di utilizzo: 1 bar. Portata a pressione dinamica uscita doccia con limitatore: 1-5 bar - 9 l/min. Uscita doccetta con limitatore: 1-5 bar - 5 l/min. / Fast Clean shower. Minimum dynamic pressure of use: 1 bar. Flow rates at dynamic pressure: shower exit with limitation system: 1-5 bar - 9 l/min. Handshower exit with limitation system: 1-5 bar - 5 l/min.

Non disponibile in altre finiture. / Not available in other finishes.

RICAMBI / SPARE PARTS

	9844/73 *		9846/73 ◊
	9600ASPV		70850AS00
	IM883AS30RPR		

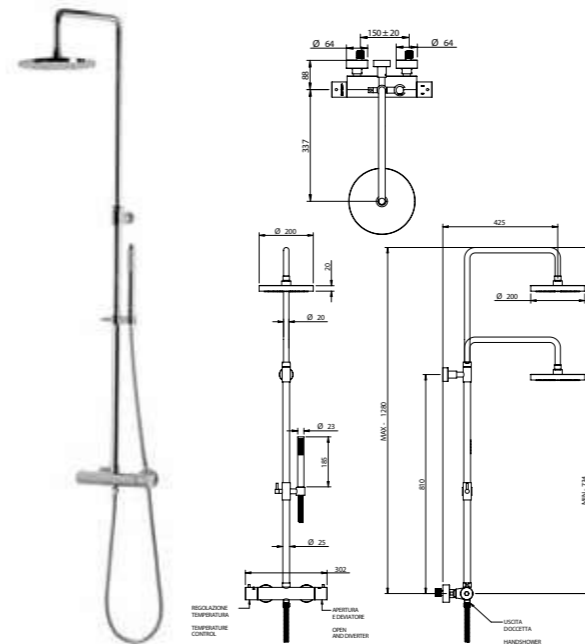
* Cartuccia miscelatrice / Mixer cartridge
◊ Cartuccia di apertura-chiusura e deviazione / Open-close cartridge

32547/LU

Termostatico doccia esterno con tubo, deviatore soffione e set doccia.

External thermostatic shower mixer with tube, diverter, shower head and handshower set.

Dettaglio flessibili / Flexible details pag. 42



Nelle varianti colore verniciate e satinare alcuni particolari saranno in finitura galvanica per garantire gli standard qualitativi. / To assure our quality standard on colored and satin product, some details remain in galvanic finishes.

ARTICOLO COMPLETO / COMPLETE ITEM

32547CRLU
CR

32547NELU
NE/BI

32547NSLU
NS/PL/BU/ON

32547BMLU
BM/OR/NM/HM

32547OPLU
OP

32547XXLU *
XX

* XX: Per tutte le altre finiture fattibili riferirsi a questa fascia di prezzo. / Refer to this line of price for all other realizable finishes.

Sistema anticalcare Fast Clean. Pressione dinamica minima di utilizzo 1 bar. Portata a pressione dinamica: uscita doccia con limitatore 1-5 bar - 8 l/min, uscita doccetta con limitatore 1-5 bar - 5 l/min. / Fast Clean shower. Minimum dynamic pressure of use 1 bar. Flow rates at dynamic pressure: shower exit with limitation system 1-5 bar - 8 l/min, handshower exit with limitation system 1-5 bar - 5 l/min.

RICAMBI / SPARE PARTS

	9844 *		9846 ◊
	9600CR		00850CRO0
	880CRO0		9600XXPV ◻
	00850XX00 ◻		00880XX00 ◻

* Cartuccia miscelatrice / Mixer cartridge
◊ Cartuccia di apertura-chiusura e deviazione / Open-close cartridge
◻ Per le finiture verniciate e satinare il flessibile verrà fornito in PVC nero. / The flexible hose will be supplied in black PVC for painted and matt finishes.
◻ Ricambio per finiture diverse dal cromo. / Spare part for different finishes.

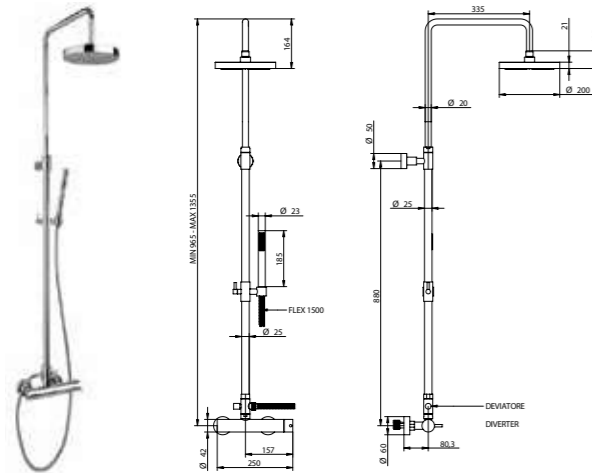
ACCESSORI E RICAMBI / ACCESSORIES AND SPARE PARTS



32537/ED

Miscelatore esterno doccia con tubo doccia, deviatore, soffione e set doccia. External shower mixer with tube, diverter, shower head and handshower set.

Dettaglio flessibili / Flexible details pag. 42



Nelle varianti colore verniciate e satinare alcuni particolari saranno in finitura galvanica per garantire gli standard qualitativi. / To assure our quality standard on colored and satin product, some details remain in

ARTICOLO COMPLETO / COMPLETE ITEM

- 32537CRED**
CR
- 32537NEOD**
NE/BI
- 32537NSED**
NS/PL/BU/ON
- 32537BMED**
BM/TT/FA/NM/HM/OR
- 32537OPED**
OP
- 32537XXED ***
XX

* XX: Per tutte le altre finiture fattibili riferirsi a questa fascia di prezzo. / Refer to this line of price for all other realizable finishes.

Sistema anticalcare Fast Clean. Pressione dinamica minima di utilizzo 1 bar. Portata a pressione dinamica: uscita doccia con limitatore 1-5 bar - 8 l/min, uscita doccetta con limitatore 1-5 bar - 5 l/min. / Fast Clean shower. Minimum dynamic pressure of use 1 bar. Flow rates at dynamic pressure: shower exit with limitation system 1-5 bar - 8 l/min, handshower exit with limitation system 1-5 bar - 5 l/min.

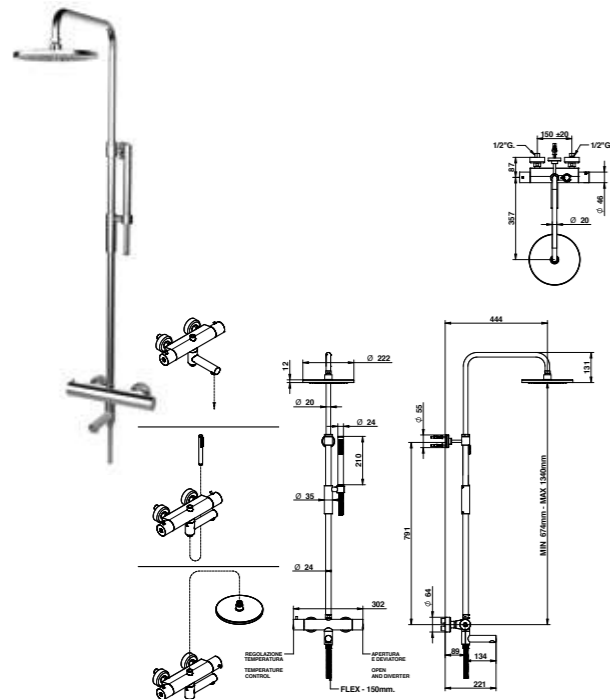
RICAMBI / SPARE PARTS

	9813 *		9600CR
	00850CR00		880CR00
	00121CR		9600XXPV □
	00850XX00 □		00880XX00 □

* Cartuccia miscelatrice / Mixer cartridge
 □ Per le finiture verniciate e satinare il flessibile verrà fornito in PVC nero. / The flexible hose will be supplied in black PVC for painted and matt finishes.
 □ Ricambio per finiture diverse dal cromo. / Spare part for different finishes.

68546/OD NEW

Termostatico doccia e vasca esterno, con tubo, deviatore, soffione, set doccia e bocca erogatrice. External thermostatic shower and bathtub mixer with tube, diverter, shower head, handshower set and erogation spout.



ARTICOLO COMPLETO / COMPLETE ITEM

- 68546CROD**
CR

Sistema anticalcare Fast Clean. Pressione dinamica minima di utilizzo 1 bar. Portata a pressione dinamica: uscita doccia con limitatore 1-5 bar - 8 l/min, uscita doccetta con limitatore 1-5 bar - 5 l/min, uscita vasca 1-5 bar - 20 l/min. / Fast Clean shower. Minimum dynamic pressure of use 1 bar. Flow rates at dynamic pressure: shower exit with limitation system 1-5 bar - 8 l/min, handshower exit with limitation system 1-5 bar - 5 l/min, bath exit 1-5 bar - 20 l/min.

Non disponibile in altre finiture. / Not available in other finishes.

RICAMBI / SPARE PARTS

	9844		9846
	9600CR		00850CR00
	880CR00		

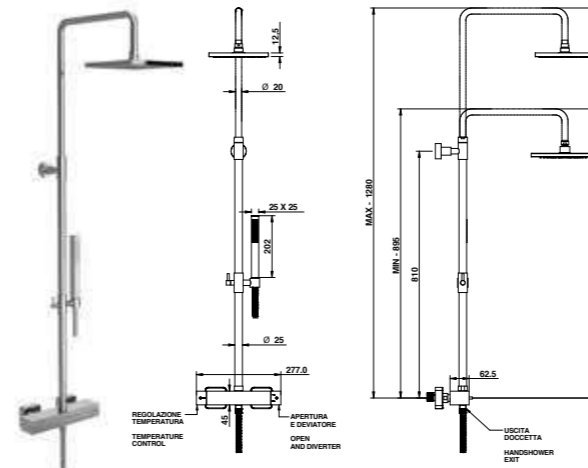
FINITURE E COLORI / FINISHES AND COLOURS



43547/LU NEW

Termostatico doccia esterno con tubo, deviatore soffione e set doccia. External thermostatic shower mixer with tube, diverter, shower head and handshower set.

Dettaglio flessibili / Flexible details pag. 42



RICAMBI / SPARE PARTS

	9844 *		9846 □
	9600CR		00854CR00
	881CR00		9600XXPV □
	00854XX00 △		881XX00 △

ARTICOLO COMPLETO / COMPLETE ITEM

- 43547CRLU**
CR
- 43547PLLU**
PL
- 43547NELU ***
NE/BI/NS
- 43547FALU ***
FA
- 43547CNLU ***
CN/OP/BM
- 43547HMLU ***
HM/OR/AM/NM

* Nelle varianti colore verniciate e satinare alcuni particolari saranno in finitura galvanica per garantire gli standard qualitativi. / To assure our quality standard on colored product, some details remain in chrome.

Sistema anticalcare Fast Clean. Pressione dinamica minima di utilizzo 1 bar. Portata a pressione dinamica: uscita doccia con limitatore 1-5 bar - 8 l/min, uscita doccetta con limitatore 1-5 bar - 5 l/min. / Fast Clean shower. Minimum dynamic pressure of use 1 bar. Flow rates at dynamic pressure: shower exit with limitation system 1-5 bar - 8 l/min, handshower exit with limitation system 1-5 bar - 5 l/min.

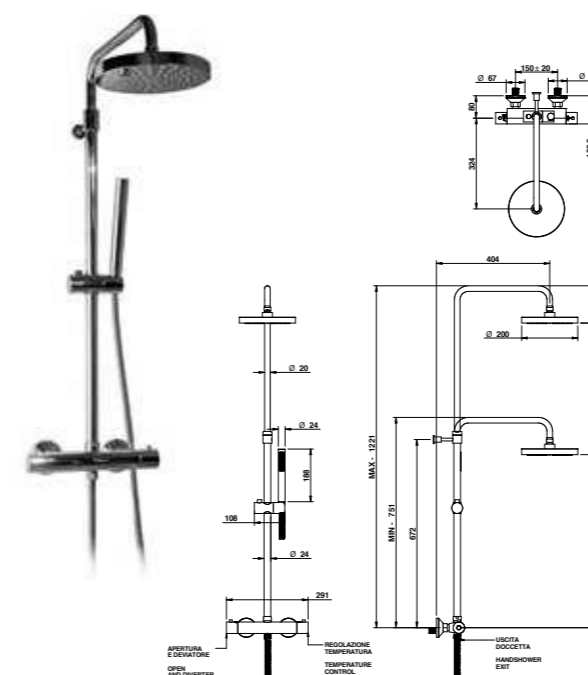
Non disponibile in altre finiture. / Not available in other finishes.

* Cartuccia miscelatrice / Mixer cartridge
 □ Cartuccia di apertura-chiusura e deviazione / Open-close cartridge
 △ Per le finiture verniciate e satinare il flessibile verrà fornito in PVC nero. / The flexible hose will be supplied in black PVC for painted and matt finishes.
 △ Ricambio per finiture diverse dal cromo. / Spare part for different finishes.

32557/RDPR

Miscelatore termostatico doccia esterno completo di tubo doccia, deviatore, soffione ABS Ø 200 mm e set doccia. Thermostatic external shower mixer with tube, diverter, Ø 200 mms. ABS shower head and handshower set.

Dettaglio flessibili / Flexible details pag. 42



ARTICOLO COMPLETO / COMPLETE ITEM

- 32557CRRDPR**
CR
- 32557NERDPR**
NE/NS

Sistema anticalcare Fast Clean. Pressione dinamica minima di utilizzo 1 bar. Portata a pressione dinamica: uscita doccia con limitatore 1-5 bar - 9 l/min, uscita doccetta con limitatore 3 bar - 22 l/min. / Fast Clean shower. Minimum dynamic pressure of use 1 bar. Flow rates at dynamic pressure: shower exit with limitation system 1-5 bar - 9 l/min.

Nelle varianti colore verniciate e satinare alcuni particolari saranno in finitura galvanica per garantire gli standard qualitativi. / To assure our quality standard on colored and satin product, some details remain in galvanic finishes.

Non disponibile in altre finiture. / Not available in other finishes.

RICAMBI / SPARE PARTS

	9868 *		9867 □
	9611CR		00850CROE
	886CRPR		9600XXPV □
	00850XX00 △		

* Cartuccia miscelatrice / Mixer cartridge
 □ Cartuccia di apertura-chiusura e deviazione / Open-close and diverter cartridge
 △ Per le finiture verniciate e satinare il flessibile verrà fornito in PVC nero. / The flexible hose will be supplied in black PVC for painted and matt finishes.
 △ Ricambio per finiture diverse dal cromo. / Spare part for different finishes.

ACCESSORI E RICAMBI / ACCESSORIES AND SPARE PARTS

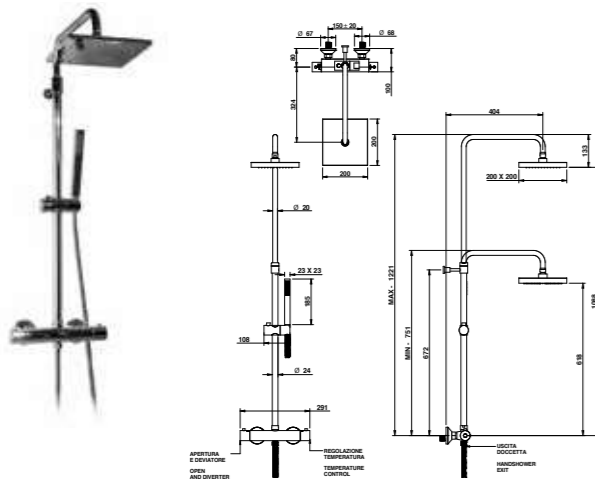


32557/QDPR

Miscelatore termostatico doccia esterno completo di tubo doccia, deviatore, soffione quadro ABS 200 x200 mm e set doccia.

Thermostatic external shower mixer with tube, diverter, mms. 200x200 ABS square shower head and handshower set.

Dettaglio flessibili / Flexible details pag. 42



ARTICOLO COMPLETO / COMPLETE ITEM

32557CRQDPR
CR

32557NEQDPR
NE/NS

Sistema anticalcare Fast Clean. Pressione dinamica minima di utilizzo 1 bar. Portata a pressione dinamica: uscita doccia con limitatore 1-5 bar - 9 l/min, uscita doccetta con limitatore 3 bar - 22 l/min. / Fast Clean shower. Minimum dynamic pressure of use 1 bar. Flow rates at dynamic pressure: shower exit with limitation system 1-5 bar - 9 l/min, handshower exit with limitation system 3 bar - 22 l/min.

Nelle varianti colore verniciate e satinare alcuni particolari saranno in finitura galvanica per garantire gli standard qualitativi. / To assure our quality standard on colored and satin product, some details remain in galvanic finishes.

Non disponibile in altre finiture. / Not available in other finishes.

RICAMBI / SPARE PARTS

	9868 *		9867 □
	9611CR		00854CROE
	887CRPR		9600XXPV □
	00854XX00 △		

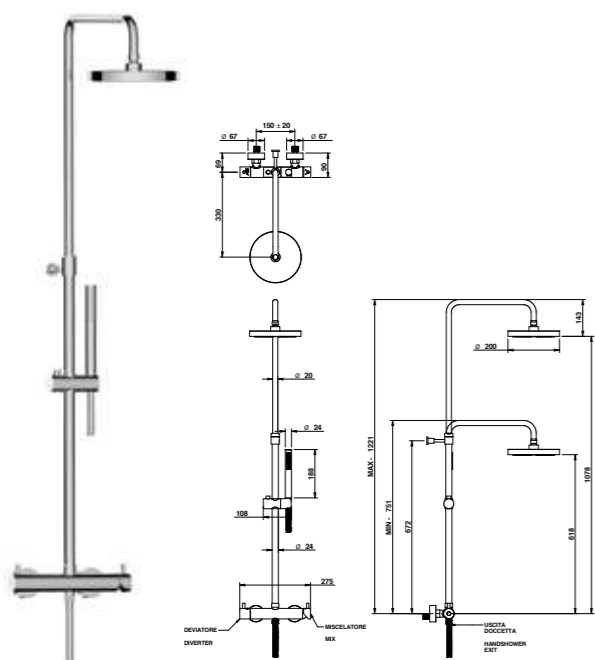
* Cartuccia miscelatrice / Mixer cartridge
□ Cartuccia di apertura-chiusura e deviazione / Open-close and diverter cartridge
△ Per le finiture verniciate e satinare il flessibile verrà fornito in PVC nero. / The flexible hose will be supplied in black PVC for painted and matt finishes.
□ Ricambio per finiture diverse dal cromo. / Spare part for different finishes.

32555/RNPR NEW

Miscelatore doccia esterno completo di tubo doccia, deviatore, soffione ABS Ø 200 mm e set doccia.

External shower mixer with tube, diverter, Ø 200 mms. ABS shower head and handshower set.

Dettaglio flessibili / Flexible details pag. 42



ARTICOLO COMPLETO / COMPLETE ITEM

32555CRRNPR
CR

32555NSRNPR
NS/NE

Sistema anticalcare Fast Clean. Pressione dinamica minima di utilizzo 1 bar. Portata a pressione dinamica: uscita doccia con limitatore 1-5 bar - 8 l/min, uscita doccetta con limitatore 1-5 bar - 5 l/min. / Fast Clean shower. Minimum dynamic pressure of use 1 bar. Flow rates at dynamic pressure: shower exit with limitation system 1-5 bar - 8 l/min, handshower exit with limitation system 1-5 bar - 5 l/min.

Nelle varianti colore verniciate e satinare alcuni particolari saranno in finitura galvanica per garantire gli standard qualitativi. / To assure our quality standard on colored and satin product, some details remain in galvanic finishes.

Non disponibile in altre finiture. / Not available in other finishes.

RICAMBI / SPARE PARTS

	9813 *		9867 □
	9611CR		00850CROE
	886CRPR		9600XXPV □
	00850XX00 △		

* Cartuccia miscelatrice / Mixer cartridge
□ Cartuccia di apertura-chiusura e deviazione / Open-close cartridge
△ Per le finiture verniciate e satinare il flessibile verrà fornito in PVC nero. / The flexible hose will be supplied in black PVC for painted and matt finishes.
□ Ricambio per finiture diverse dal cromo. / Spare part for different finishes.

FINITURE E COLORI / FINISHES AND COLOURS

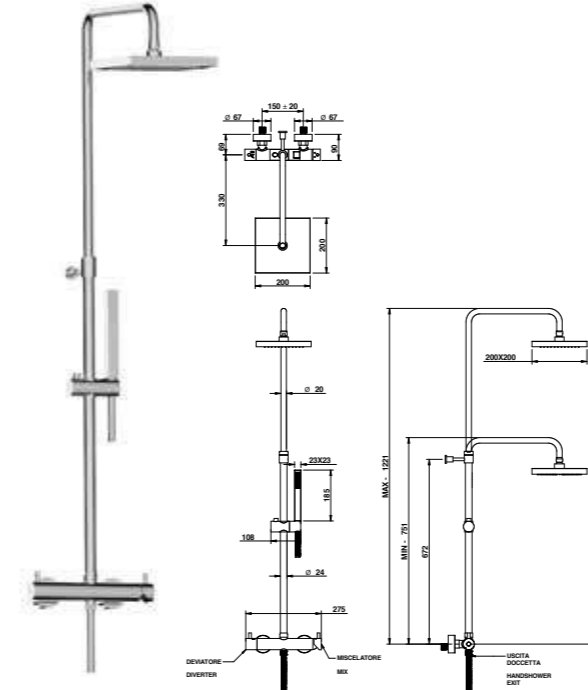


32555/QNPR NEW

Miscelatore doccia esterno completo di tubo doccia, deviatore, soffione quadro 200x200 mm e set doccia.

External shower mixer with tube, diverter, mms. 200x200 square shower head, and handshower set.

Dettaglio flessibili / Flexible details pag. 42



ARTICOLO COMPLETO / COMPLETE ITEM

32555CRQNPR
CR

32555NSQNPR
NS/NE

Sistema anticalcare Fast Clean. Pressione dinamica minima di utilizzo 1 bar. Portata a pressione dinamica: uscita doccia con limitatore 1-5 bar - 8 l/min, uscita doccetta con limitatore 1-5 bar - 5 l/min. / Fast Clean shower. Minimum dynamic pressure of use 1 bar. Flow rates at dynamic pressure: shower exit with limitation system 1-5 bar - 8 l/min, handshower exit with limitation system 1-5 bar - 5 l/min.

Nelle varianti colore verniciate satinare alcuni particolari saranno in finitura galvanica per garantire gli standard qualitativi. / To assure our quality standard on colored and satin product, some details remain in galvanic finishes.

Non disponibile in altre finiture. / Not available in other finishes.

RICAMBI / SPARE PARTS

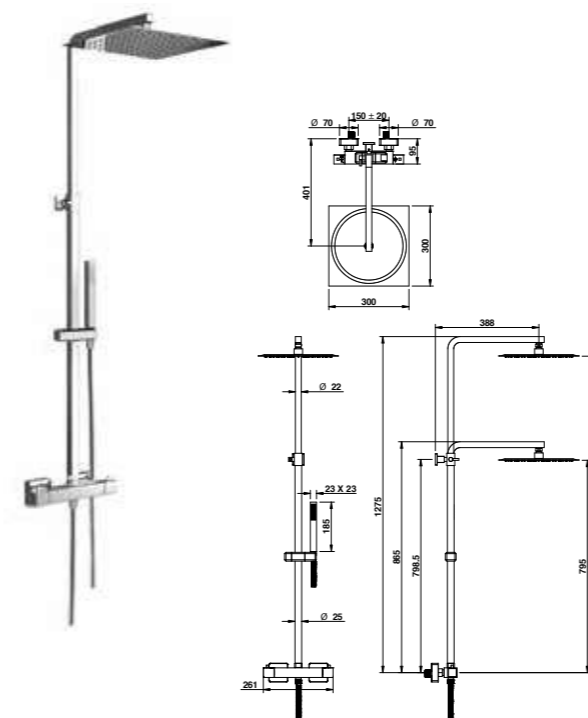
	9813 *		9867 □
	9611CR		00854CROE
	887CRPR		9600XXPV □
	00854XX00 △		

* Cartuccia miscelatrice / Mixer cartridge
□ Cartuccia di apertura-chiusura e deviazione / Open-close and diverter cartridge
△ Per le finiture verniciate e satinare il flessibile verrà fornito in PVC nero. / The flexible hose will be supplied in black PVC for painted and matt finishes.
□ Ricambio per finiture diverse dal cromo. / Spare part for different finishes.

43557/EDPR

Miscelatore termostatico doccia esterno completo di tubo doccia quadro, deviatore, soffione 300x300 mm e set doccia.

External shower mixer with tube, diverter, mms. 300x300 shower head and handshower set



ARTICOLO COMPLETO / COMPLETE ITEM

43557CREDPR
CR

Sistema anticalcare Fast Clean. Pressione dinamica minima di utilizzo 1 bar. Portata a pressione dinamica: uscita doccia con limitatore 1-5 bar - 12 l/min, uscita doccetta con limitatore 3 bar - 22 l/min. / Fast Clean shower. Minimum dynamic pressure of use 1 bar. Flow rates at dynamic pressure: shower exit with limitation system 1-5 bar - 12 l/min, handshower exit with limitation system 3 bar - 22 l/min.

Non disponibile in altre finiture. / Not available in other finishes.

RICAMBI / SPARE PARTS

	9866		9867
	9611CR		00854CROE
	IM883CR30QPR		

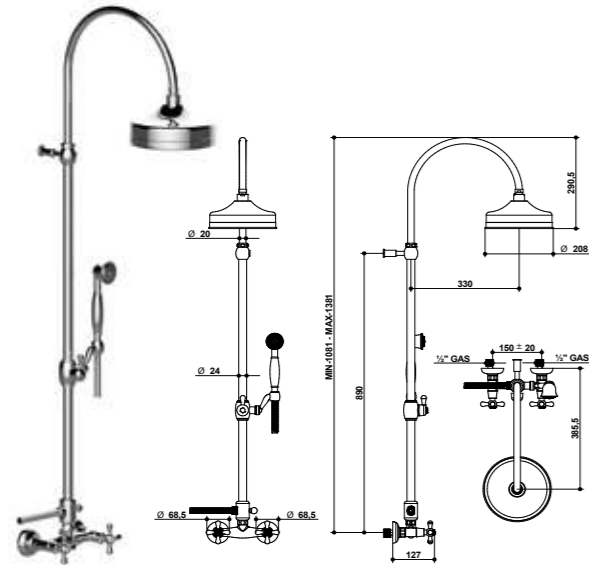
ACCESSORI E RICAMBI / ACCESSORIES AND SPARE PARTS



15537/D

Gruppo doccia esterno con tubo, soffione e set doccia duplex. External shower mixer with tube, shower head and duplex shower set.

Dettaglio flessibili / Flexible details pag. 42



Disponibile in tutte le collezioni classiche. / Available in all classic collection.

Non disponibile in OM - AM - CM - IM / Not available OM - AM - CM - IM

ARTICOLO COMPLETO / COMPLETE ITEM

15537CR0D
CR

15537BM0D *
BM/BU/NS/ON

15537FA0D *
FA/OR/NM/HM

15537XX0D □
XX

* Nelle varianti colore verniciate e satinare alcuni particolari saranno in finitura galvanica per garantire gli standard qualitativi. / To assure our quality standard on colored and satin product, some details remain in galvanic finishes.
□ XX: Per tutte le altre finiture fattibili riferirsi a questa fascia di prezzo. / Refer to this line of price for all other realizable finishes.

RICAMBI / SPARE PARTS

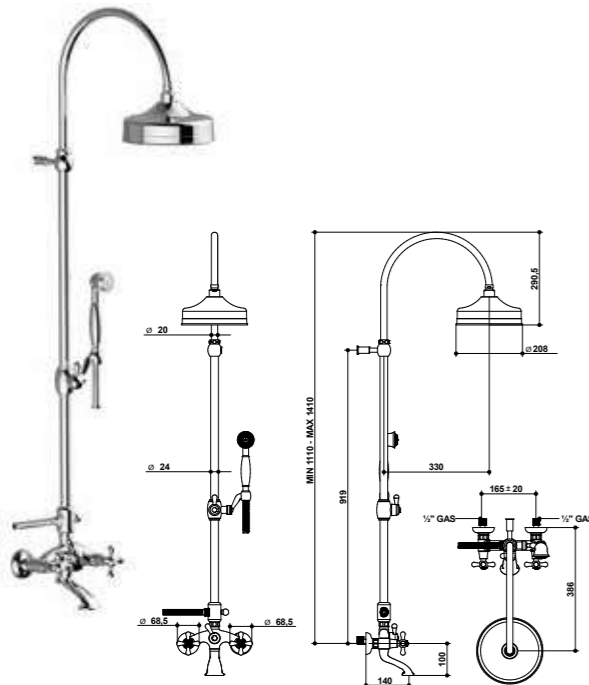
	9792 *		9792 □
	10860CR		9600CR
	00851CR00		121CRCL
	00851XX00 □		9600XX00 □
	10860XX00 □		

* Calda / Hot
□ Fredda / Cold
□ Ricambio per finiture diverse dal cromo. / Spare part for different finishes.
* Nelle finiture verniciate e satinare i flessibili verranno forniti con calotta in delrin nero. / For painted and matt finishes, the flexible hoses will be supplied with black delrin conical connection.

15536/D

Gruppo vasca doccia esterno con tubo, soffione, e set doccia duplex. External bath shower mixer with tube, shower head and duplex shower set.

Dettaglio flessibili / Flexible details pag. 42



FINITURE E COLORI / FINISHES AND COLOURS



ARTICOLO COMPLETO / COMPLETE ITEM

15536CR0D
CR

15536BM0D *
BM/BU/ON

15536FA0D *
FA/OR/NM/HM

15536XX0D □
XX

* Nelle varianti colore verniciate e satinare alcuni particolari saranno in finitura galvanica per garantire gli standard qualitativi. / To assure our quality standard on colored and satin product, some details remain in galvanic finishes.
□ XX: Per tutte le altre finiture fattibili riferirsi a questa fascia di prezzo. / Refer to this line of price for all other realizable finishes.

Non disponibile in OM - AM - CM - IM / Not available OM - AM - CM - IM

Disponibile in tutte le collezioni classiche. / Available in all classic collection.

RICAMBI / SPARE PARTS

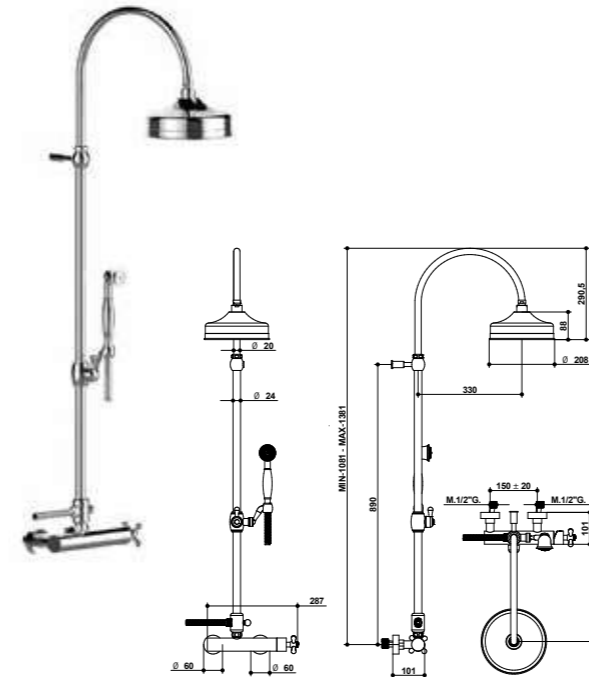
	9792 *		9792 □
	10860CR		9600CR
	00851CR00		121CRCL
	0011700DV		00851XX00 □
	9600XX00 □		10860XX00 □

* Calda / Hot
□ Fredda / Cold
□ Ricambio per finiture diverse dal cromo. / Spare part for different finishes.
* Nelle finiture verniciate e satinare i flessibili verranno forniti con calotta in delrin nero. / For painted and matt finishes, the flexible hoses will be supplied with black delrin conical connection.

15555/0D

Miscelatore doccia esterno con tubo, soffione, e set doccia duplex. External shower mixer with tube, shower head and duplex shower set.

Dettaglio flessibili / Flexible details pag. 42



ARTICOLO COMPLETO / COMPLETE ITEM

15555CR0D
CR

15555BM0D *
BM/BU/ON

15555FA0D *
FA/OR/NM/HM

15555XX0D □
XX

* Nelle varianti colore verniciate e satinare alcuni particolari saranno in finitura galvanica per garantire gli standard qualitativi. / To assure our quality standard on colored and satin product, some details remain in galvanic finishes.
□ XX: Per tutte le altre finiture fattibili riferirsi a questa fascia di prezzo. / Refer to this line of price for all other realizable finishes.

Non disponibile in OM - AM - CM - IM / Not available OM - AM - CM - IM

Disponibile in tutte le collezioni Classiche. / Available in all Classic collections

RICAMBI / SPARE PARTS

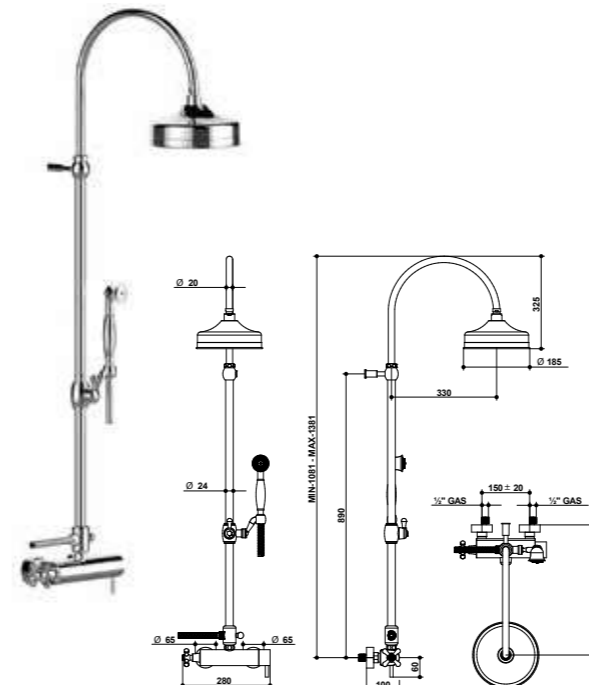
	9813		10860CR
	00121CRCL		9600CR
	9600XX00 *		00851CR00
	00851XX00 □		10860XX00 □

* Nelle finiture verniciate e satinare i flessibili verranno forniti con calotta in delrin nero. / For painted and matt finishes, the flexible hoses will be supplied with black delrin conical connection.
□ Ricambio per finiture diverse dal cromo. / Spare part for different finishes.

15547/D

Gruppo doccia esterno termostatico con tubo, soffione e set doccia duplex. External shower thermostatic with tube, shower head and duplex shower set.

Dettaglio flessibili / Flexible details pag. 42



ARTICOLO COMPLETO / COMPLETE ITEM

15547CR0D
CR

15547BM0D *
BM/BU/ON

15547FA0D *
FA/OR/NM/HM

15547XX0D □
XX

* Nelle varianti colore verniciate e satinare alcuni particolari saranno in finitura galvanica per garantire gli standard qualitativi. / To assure our quality standard on colored and satin product, some details remain in galvanic finishes.
□ XX: Per tutte le altre finiture fattibili riferirsi a questa fascia di prezzo. / Refer to this line of price for all other realizable finishes.

Non disponibile in OM - AM - CM - IM / Not available OM - AM - CM - IM

RICAMBI / SPARE PARTS

	8900ES *		9792 □
	10860CR		00121CRCL
	9600CR		9600XX00 □
	00851CR00		00851XX00 □
	10860XX00 □		

* Cartuccia miscelatrice / Mixer cartridge
□ Cartuccia di apertura-chiusura / Open-close cartridge
□ Nelle finiture verniciate e satinare i flessibili verranno forniti con calotta in delrin nero. / For painted and matt finishes, the flexible hoses will be supplied with black delrin conical connection.
□ Ricambio per finiture diverse dal cromo. / Spare part for different finishes.

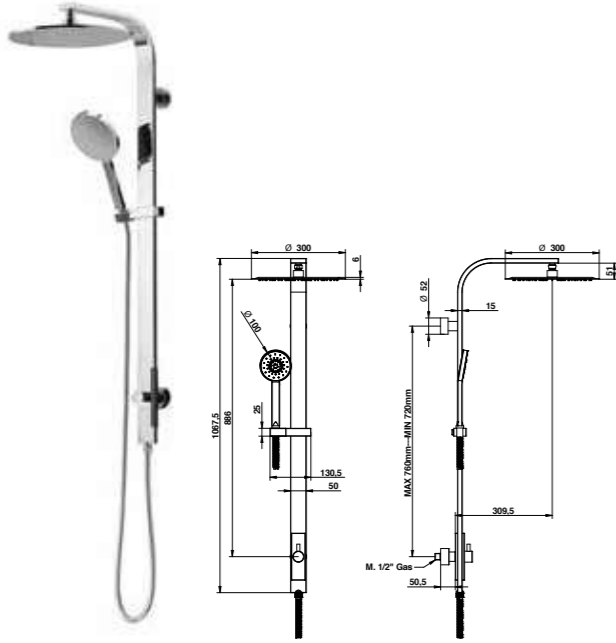
ACCESSORI E RICAMBI / ACCESSORIES AND SPARE PARTS



809/RPR

Colonna doccia rettangolare con presa acqua bassa, deviatore, soffione ø 300 mm, supporto doccia scorrevole, doccetta ø 100 mm e flessibile doppia aggiratura 1000 mm.

Rectangular shower column with low water supply, diverter, mms. 300 shower head, shower sliding support, ø mms. 100 handshower and mms. 1000 double interlock hose.



ARTICOLO COMPLETO / COMPLETE ITEM

809CRORPR
CR

Sistema anticalcare Fast Clean. Pressione dinamica minima di utilizzo 1 bar. Portata a pressione dinamica: uscita doccia con limitatore 3 bar - 12,5 l/min, uscita doccetta con limitatore 3 bar - 12 l/min. / Fast Clean shower. Minimum dynamic pressure of use 1 bar. Flow rates at dynamic pressure: shower exit with limitation system 3 bar - 12,5 l/min, handshower exit with limitation system 3 bar - 12 l/min.

Non disponibile in altre finiture. / Not available in other finishes.

ABBINABILE A / TO MATCH WITH:
Miscelatore incasso / Built-in mixer - **68524CRPR**

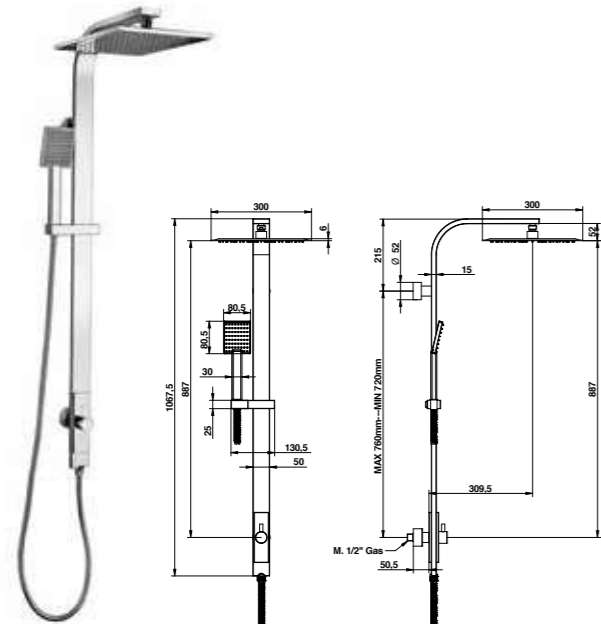
RICAMBI / SPARE PARTS

	9611CR		941CR
	IM883CR30RPR		

809/QPR

Colonna doccia rettangolare con presa acqua bassa, deviatore, soffione 300x300 mm, supporto doccia scorrevole, doccetta e flessibile doppia aggiratura 1500 mm.

Rectangular shower column with low water supply, diverter, mms. 300x300 shower head, shower sliding support, andshower and mms. 1500 double interlock hose.



ARTICOLO COMPLETO / COMPLETE ITEM

809CROQPR
CR

Sistema anticalcare Fast Clean. Pressione dinamica minima di utilizzo 1 bar. Portata a pressione dinamica: uscita doccia con limitatore 3 bar - 12,5 l/min, uscita doccetta con limitatore 3 bar - 16 l/min. / Fast Clean shower. Minimum dynamic pressure of use 1 bar. Flow rates at dynamic pressure: shower exit with limitation system 3 bar - 12,5 l/min, handshower exit with limitation system 3 bar - 16 l/min.

Non disponibile in altre finiture. / Not available in other finishes.

ABBINABILE A / TO MATCH WITH:
Miscelatore incasso / Built-in mixer - **67524CRPR**

RICAMBI / SPARE PARTS

	9611CR		927CR
	IM883CR30QPR		

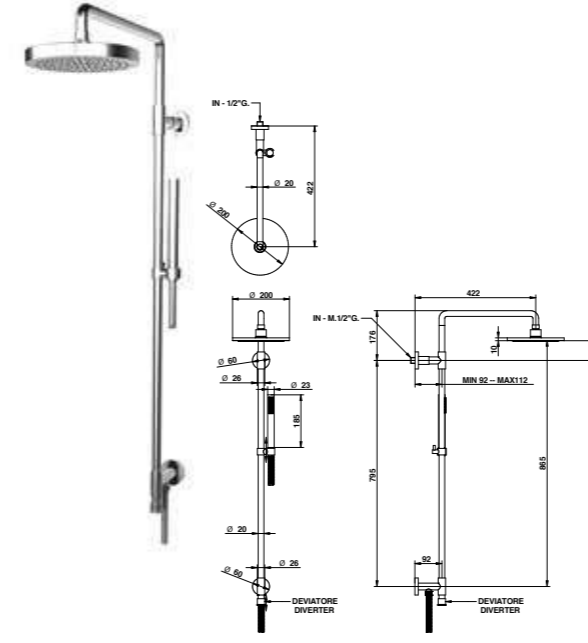
FINITURE E COLORI / FINISHES AND COLOURS



810/R

Tubo doccia con presa acqua alta, deviatore, soffione tondo ø 208 mm con supporto doccia scorrevole, doccetta e flessibile doppia aggiratura 1500 mm.

Shower column with high water connection, diverter, ø mms. 208 round shower head, shower sliding support, handshower and mms. 1500 double interlock hose.



ARTICOLO COMPLETO / COMPLETE ITEM

810CROR
CR

Sistema anticalcare Fast Clean. Pressione dinamica minima di utilizzo 1 bar. Portata a pressione dinamica: uscita doccia con limitatore 1-5 bar - 9 l/min, uscita doccetta con limitatore 1-5 bar - 22 l/min. / Fast Clean shower. Minimum dynamic pressure of use 1 bar. Flow rates at dynamic pressure: shower exit with limitation system 1-5 bar - 9 l/min, handshower exit with limitation system 1-5 bar - 22 l/min.

Non disponibile in altre finiture. / Not available in other finishes.

ABBINABILE A / TO MATCH WITH:
Miscelatore incasso / Built-in mixer - **68524CRPR**

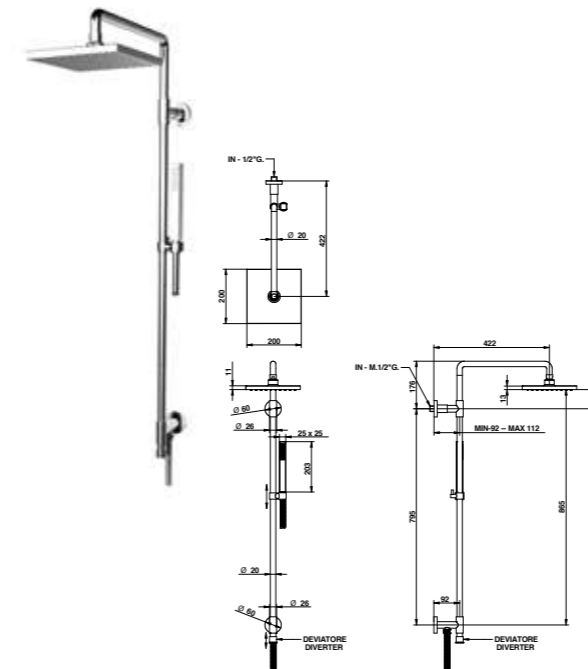
RICAMBI / SPARE PARTS

	9600CR		00850CROE
	886CRPR		

810/Q

Tubo doccia con presa acqua alta, deviatore, soffione quadro 200x200 mm supporto doccia scorrevole, doccetta e flessibile doppia aggiratura 1500 mm.

Shower column with high water connection, diverter, mms. 200x200 square shower head, shower sliding support, handshower and mms. 1500 double interlock hose.



ARTICOLO COMPLETO / COMPLETE ITEM

810CROQ
CR

Sistema anticalcare Fast Clean. Pressione dinamica minima di utilizzo 1 bar. Portata a pressione dinamica: uscita doccia con limitatore 1-5 bar - 9 l/min, uscita doccetta con limitatore 1-5 bar - 16 l/min. / Fast Clean shower. Minimum dynamic pressure of use 1 bar. Flow rates at dynamic pressure: shower exit with limitation system 1-5 bar - 9 l/min, handshower exit with limitation system 1-5 bar - 16 l/min.

Non disponibile in altre finiture. / Not available in other finishes.

ABBINABILE A / TO MATCH WITH:
Miscelatore incasso / Built-in mixer - **67524CRPR**

RICAMBI / SPARE PARTS

	9600CR		00854CROE
	887CRPR		

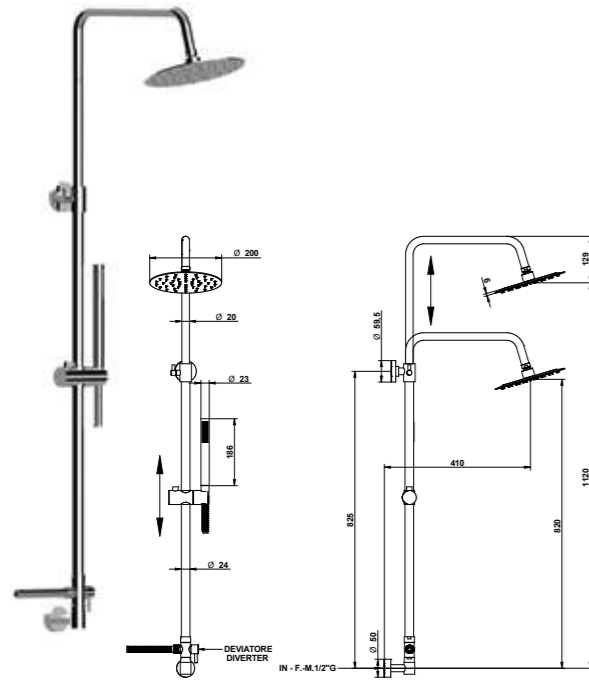
ACCESSORI E RICAMBI / ACCESSORIES AND SPARE PARTS



811CR0RMEPR

Colonna doccia con presa acqua bassa, deviatore meccanico, soffione tondo ø 200 mm, con supporto doccia scorrevole, doccetta e flessibile 1500 mm.

Shower column with low water connection, mechanical diverter, ø 200 mm round shower head and hand shower set.



ARTICOLO COMPLETO / COMPLETE ITEM

811CR0RMEPR
CR

Non disponibile in altre finiture. / Not available in other finishes.

ABBINABILE A / TO MATCH WITH:
Miscelatore incasso / Built-in mixer - **68524CRPR**

RICAMBI / SPARE PARTS

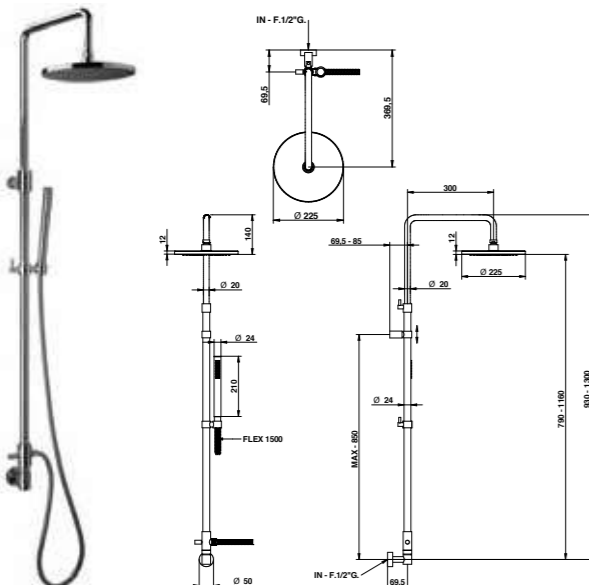
	9611CR		00850CR0E
	IM883CR20R		00135CRME

811/ORLU NEW

Colonna doccia in ottone con presa acqua bassa, deviatore, soffione tondo ø 200 mm con supporto doccia scorrevole, doccetta e flessibile 1500 mm.

Brass shower column with low water connection, diverter, ø mms. 200 round shower head, shower sliding support, handshower and mms. 1500 flexible hose.

Dettaglio flessibili / Flexible details pag. 42



ARTICOLO COMPLETO / COMPLETE ITEM

811CR0RLU
CR

811NEORLU *
NE/BI

811NSORLU *
NS/PL/BU/ON

811BMORLU *
BM/OR/NM/HM

811XXORLU □
XX

* Nelle varianti colore verniciate e satinare alcuni particolari saranno in finitura galvanica per garantire gli standard qualitativi. / To assure our quality standard on colored and satin product, some details remain in galvanic finishes.
□ XX: Per tutte le altre finiture fattibili riferirsi a questa fascia di prezzo. / Refer to this line of price for all other realizable finishes.

Sistema anticalcare Fast Clean. Pressione dinamica minima di utilizzo 1 bar. Portata a pressione dinamica: uscita doccia con limitatore 1-5 bar - 8 l/min, uscita doccetta con limitatore 1-5 bar - 5 l/min. / Fast Clean shower. Minimum dynamic pressure of use 1 bar. Flow rates at dynamic pressure: shower exit with limitation system 1-5 bar - 8 l/min, handshower exit with limitation system 1-5 bar - 5 l/min.

ABBINABILE A / TO MATCH WITH:
Miscelatore incasso / Built-in mixer - **68524CRPR**

RICAMBI / SPARE PARTS

	9600CR		9600XXPV *
	00850CR00		00850XX00 □
	880CR00		00880XX00
	00121CR00		

* Per le finiture verniciate e satinare il flessibile verrà fornito in PVC nero. / The flexible hose will be supplied in black PVC for painted and matt finishes.
□ Ricambio per finiture diverse dal cromo. / Spare part for different finishes.

FINITURE E COLORI / FINISHES AND COLOURS

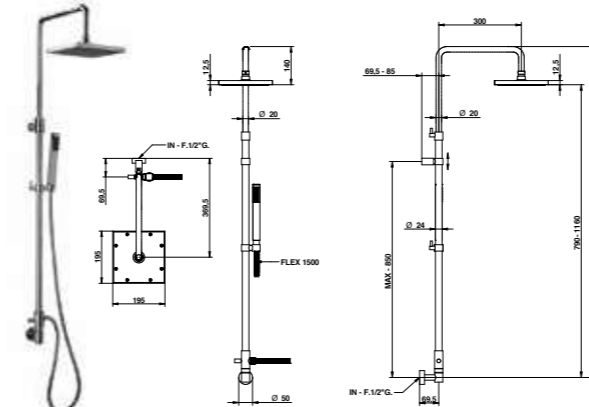


811/OQLU

Colonna doccia in ottone con presa acqua bassa, deviatore, soffione quadro 200x200 mm con supporto doccia scorrevole, doccetta e flessibile 1500 mm.

Brass shower column with low water connection, diverter, mms. 200x200 square shower head, shower sliding support, handshower and mms. 1500 flexible hose.

Dettaglio flessibili / Flexible details pag. 42



RICAMBI / SPARE PARTS

	9600CR		9600XXPV *
	00854CR00		00854XX00 □
	881CR00		881XX00
	00121CR00		

ARTICOLO COMPLETO / COMPLETE ITEM

811CR0QPR
CR

811NEOQPR *
NE/BI

811NSOQPR *
NS/PL/BU/ON

811BMOQPR *
BM/OR/NM/HM

811XXOQPR □
XX

* Nelle varianti colore verniciate e satinare alcuni particolari saranno in finitura galvanica per garantire gli standard qualitativi. / To assure our quality standard on colored and satin product, some details remain in galvanic finishes.
□ XX: Per tutte le altre finiture fattibili riferirsi a questa fascia di prezzo. / Refer to this line of price for all other realizable finishes.

Sistema anticalcare Fast Clean. Pressione dinamica minima di utilizzo 1 bar. Portata a pressione dinamica: uscita doccia con limitatore 1-5 bar - 8 l/min, uscita doccetta con limitatore 1-5 bar - 5 l/min. / Fast Clean shower. Minimum dynamic pressure of use 1 bar. Flow rates at dynamic pressure: shower exit with limitation system 1-5 bar - 8 l/min, handshower exit with limitation system 1-5 bar - 5 l/min.

ABBINABILE A / TO MATCH WITH:
Miscelatore incasso / Built-in mixer - **67524CRPR**

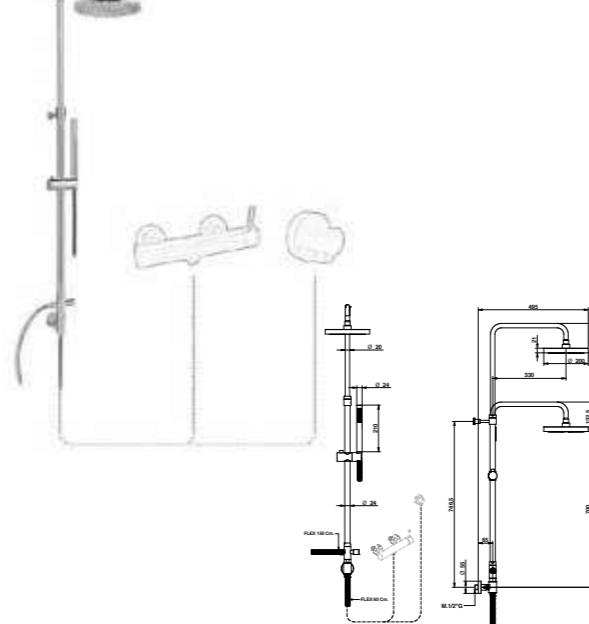
* Per le finiture verniciate e satinare il flessibile verrà fornito in PVC nero. / The flexible hose will be supplied in black PVC for painted and matt finishes.
□ Ricambio per finiture diverse dal cromo. / Spare part for different finishes.

811/ERPR

Colonna doccia in ottone con presa acqua esterna, deviatore, soffione tondo ø 200 mm con supporto doccia scorrevole, doccetta e flessibile 1500 mm.

Brass shower column with external water connection, diverter, ø 200 mms. round shower head, shower sliding support, handshower and mms. 1500 flexible hose.

Dettaglio flessibili / Flexible details pag. 42



ARTICOLO COMPLETO / COMPLETE ITEM

811CERPR
CR

Sistema anticalcare Fast Clean. Pressione dinamica minima di utilizzo 0,5 bar. Portata a pressione dinamica: uscita soffione 3 bar - 9 l/min, uscita doccetta 3 bar - 22 l/min. / Fast Clean shower. Minimum dynamic pressure of use 0,5 bar. Flow rates at dynamic pressure: shower head exit 3 bar - 9 l/min, handshower exit 3 bar - 22 l/min.

Non disponibile in altre finiture. / Not available in other finishes.

ABBINABILE A / TO MATCH WITH:
Miscelatori doccia esterni / External shower mixer - **32552/OEPR**
Miscelatori doccia esterni / External shower mixer - **32553/PR**
Miscelatori doccia esterni / External shower mixer - **43543/PR**
Presa acqua / Water supply - **899CR00**

RICAMBI / SPARE PARTS

	9611CR		00850CR0E
	886CRPR		00135CR00

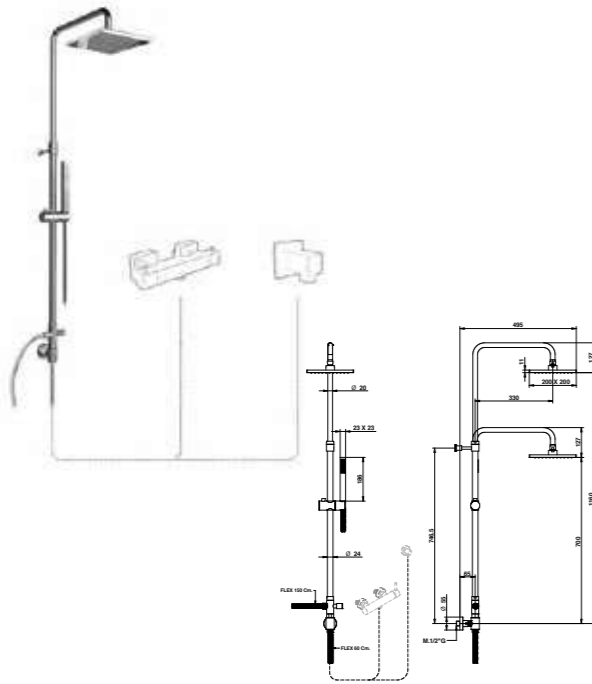
ACCESSORI E RICAMBI / ACCESSORIES AND SPARE PARTS



811/EQPR

Colonna doccia in ottone con presa acqua esterna, deviatore, soffione quadro 200x200 mm con supporto doccia scorrevole, doccetta e flessibile 1500 mm.

Brass shower column with external water connection, diverter, mms. 200x200 square shower head, shower sliding support, handshower and mms. 1500 flexible hose.



ARTICOLO COMPLETO / COMPLETE ITEM

811CREQPR
CR

Sistema anticalcare Fast Clean. Pressione dinamica minima di utilizzo 0,5 bar. Portata a pressione dinamica: uscita soffione 3 bar - 9 l/min, uscita doccetta 3 bar - 16 l/min. / Fast Clean shower. Minimum dynamic pressure of use 0,5 bar. Flow rates at dynamic pressure: shower head exit 3 bar - 9 l/min, handshower exit 3 bar - 16 l/min.

Non disponibile in altre finiture. / Not available in other finishes.

ABBINABILE A / TO MATCH WITH:

Miscelatori doccia esterni / External shower mixer - **32552/OEPR**
Miscelatori doccia esterni / External shower mixer - **32553/PR**
Miscelatori doccia esterni / External shower mixer - **43543/PR**
Presa acqua / Water supply - **897CR00**

RICAMBI / SPARE PARTS

	9611CR		00854CR0E
	887CRPR		00135CR00



Art. 70131AS0D

FINITURE E COLORI / FINISHES AND COLOURS



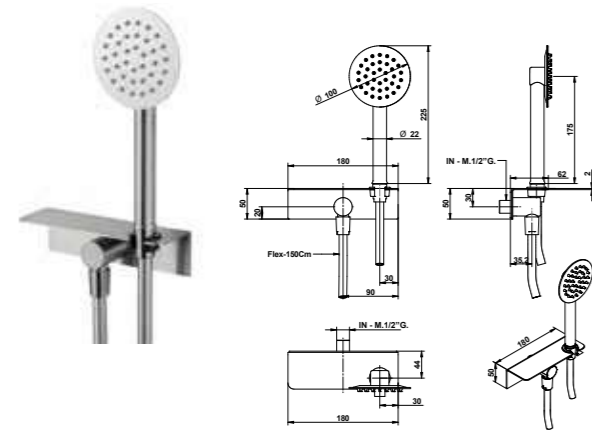
ACCESSORI E RICAMBI / ACCESSORIES AND SPARE PARTS



70832 NEW

Set doccia duplex con erogazione in acciaio 316 con ripiano integrato e doccetta Ø100mm., flessibile in PVC. 316 stainless steel handshower set with water supply, integrated shelf and shower Ø100mms., PVC flexible.

Dettaglio flessibili / Flexible details pag. 42


ARTICOLO COMPLETO / COMPLETE ITEM

70832CR00
CR

70832AS00
AS

70832NE00
NE

Sistema anticalcare Fast Clean. / Fast Clean shower.

Pressione dinamica minima di utilizzo 1 bar. Portata a pressione dinamica 1-5 bar - 5 l/min. / Minimum dynamic pressure of use 1 bar. Flow rates at dynamic pressure 1-5 bar - 5 l/min.

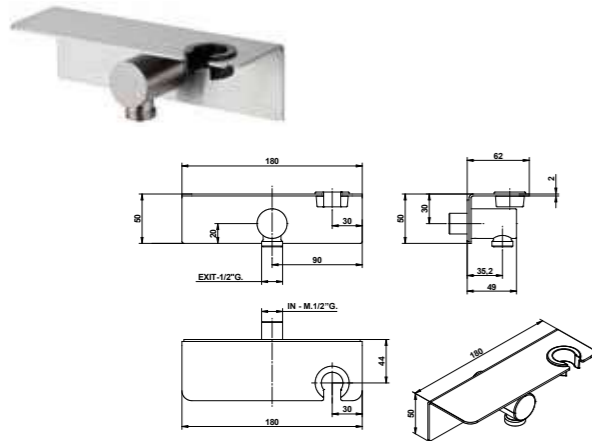
Non disponibile in altre finiture. / Not available in other finishes.

RICAMBI / SPARE PARTS

	9600XPV		7092XX00
--	---------	--	----------

70831/SU NEW

Supporto con erogazione in acciaio 316 con ripiano integrato e spazio apposito per riporre la doccetta. 316 stainless steel holder with water supply, integrated shelf and handshower special space.


ARTICOLO COMPLETO / COMPLETE ITEM

70831CRSU
CR

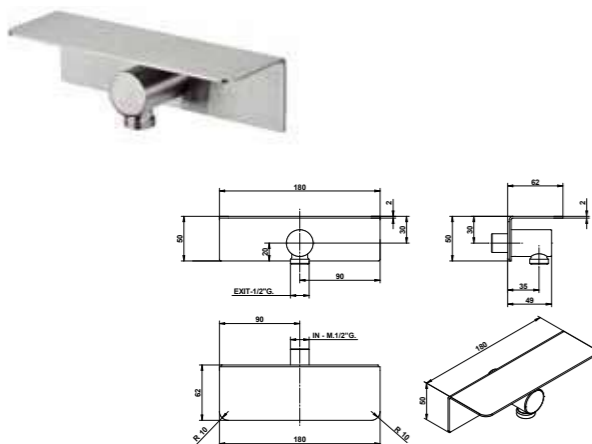
70831ASSU
AS

70831NESU
NE

Non disponibile in altre finiture. / Not available in other finishes.

70896 NEW

Presca acqua con ripiano in acciaio 316. 316 stainless steel water supply with integrated shelf.


ARTICOLO COMPLETO / COMPLETE ITEM

70896CR00
CR

70896AS00
AS

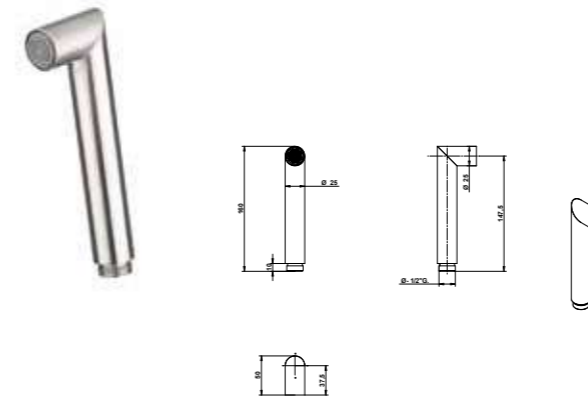
70896NE00
NE

Non disponibile in altre finiture. / Not available in other finishes.

FINITURE E COLORI / FINISHES AND COLOURS

70851 NEW

Doccetta tonda monogetto spray con attacco universale da 1/2" m in acciaio 316. 316 stainless steel round spray single function handshower with 1/2" m standard connection.


ARTICOLO COMPLETO / COMPLETE ITEM

70851CR00
CR/AS

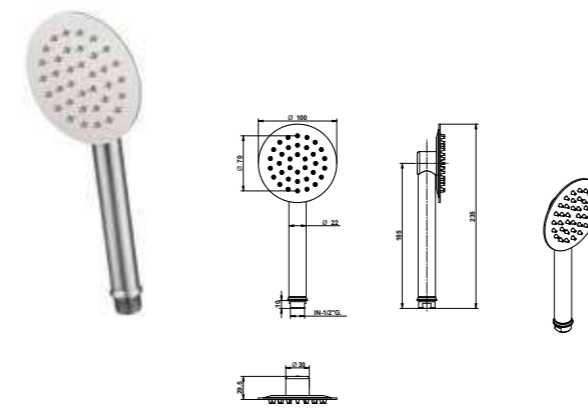
70851NE00
NE

Sistema anticalcare Fast Clean. Pressione dinamica minima di utilizzo 1 bar. Portata a pressione dinamica: con limitatore 1-5 bar - 5 l/min. / Fast Clean shower. Minimum dynamic pressure of use 1 bar. Flow rates at dynamic pressure: with limitation system 1-5 bar - 5 l/min.

Non disponibile in altre finiture. / Not available in other finishes.

70924 NEW

Doccetta monogetto tonda Ø100mm., con attacco universale da 1/2" m in acciaio 316. 316 stainless steel, Ø100mms. round single function, 1/2" m standard connection.


ARTICOLO COMPLETO / COMPLETE ITEM

70924CR00
CR/AS

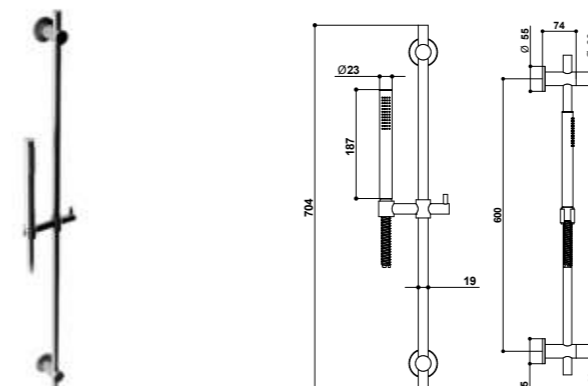
70924NE00
NE

Sistema anticalcare Fast Clean. Pressione dinamica minima di utilizzo 1 bar. Portata a pressione dinamica: con limitatore 1-5 bar - 8 l/min. / Fast Clean shower. Minimum dynamic pressure of use 1 bar. Flow rates at dynamic pressure: with limitation system 1-5 bar - 8 l/min.

Non disponibile in altre finiture. / Not available in other finishes.

70870 TIME2020 - INOX 316

Saliscendi minimalista interamente realizzato in acciaio spazzolato 316, con doccetta monogetto, supporti asta, doccetta flessibile, doppia aggiratura. 316 brushed stainless steel, round minimalist sliding rail with single function, and 316 brushed stainless steel wall hole and slider brackets and double interlock.


ARTICOLO COMPLETO / COMPLETE ITEM

70870AS00
AS

Sistema anticalcare Fast Clean. Pressione dinamica minima di utilizzo 1 bar. Portata a pressione dinamica 1-5 bar - 5 l/min. / Fast Clean shower. Minimum dynamic pressure of use 1 bar. Flow rates at dynamic pressure 1-5 bar - 5 l/min.

Non disponibile in altre finiture. / Not available in other finishes.

ABBINABILE A / TO MATCH WITH:
Presca acqua / Water supply - **70899 - 70896**

RICAMBI / SPARE PARTS

	9600ASPV		70850AS
--	----------	--	---------

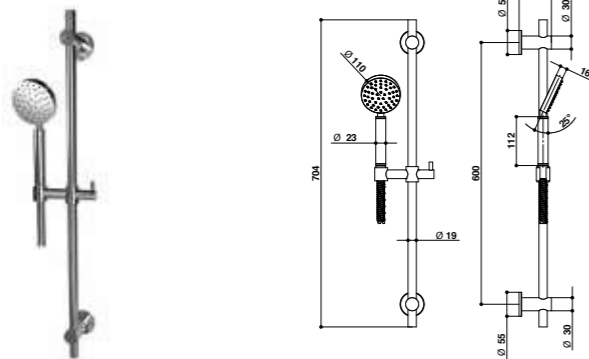
ACCESSORI E RICAMBI / ACCESSORIES AND SPARE PARTS


70976 TIME2020 - INOX 316

Saliscendi minimalista interamente realizzato in acciaio spazzolato 316, con doccetta monogetto tonda Ø 110 mm, supporti asta e flessibile doppia aggiratura.

316 brushed stainless steel, round minimalist sliding rail with Ø 110 mms, round handshower single function and steel wall hole and slider brackets and double interlock hose.

Dettaglio flessibili / Flexible details pag. 42



ARTICOLO COMPLETO / COMPLETE ITEM

70976AS00
AS

Sistema anticalcare Fast Clean. Pressione dinamica minima di utilizzo 1 bar. Portata a pressione dinamica 1-5 bar - 8 l/min. / Fast Clean shower. Minimum dynamic pressure of use 1 bar. Flow rates at dynamic pressure 1-5 bar - 8 l/min.

Non disponibile in altre finiture. / Not available in other finishes.

ABBINABILE A / TO MATCH WITH:
Preso acqua / Water supply - **70899**

RICAMBI / SPARE PARTS

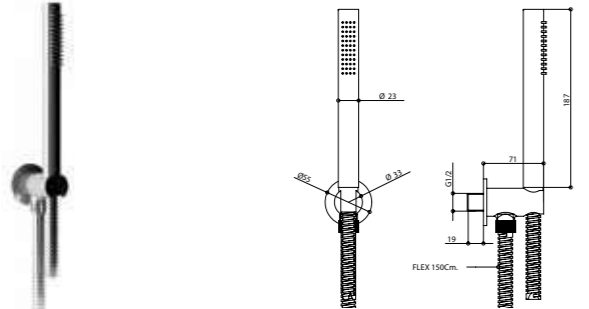
	9600ASPV		70923AS
--	-----------------	--	----------------

70830 TIME2020 - INOX 316

Set doccia duplex con erogazione in acciaio spazzolato 316.

316 brushed stainless steel hand shower set with water supply.

Dettaglio flessibili / Flexible details pag. 42



ARTICOLO COMPLETO / COMPLETE ITEM

70830AS00
AS

Sistema anticalcare Fast Clean. Pressione dinamica minima di utilizzo 1 bar. Portata a pressione dinamica 1-5 bar - 5 l/min. / Fast Clean shower. Minimum dynamic pressure of use 1 bar. Flow rates at dynamic pressure 1-5 bar - 5 l/min.

Non disponibile in altre finiture. / Not available in other finishes.

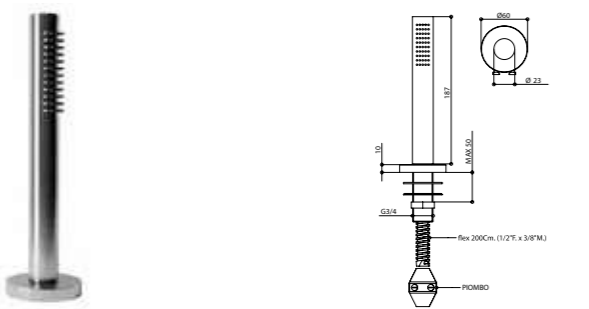
RICAMBI / SPARE PARTS

	9600ASPV		70850AS
--	-----------------	--	----------------

70840 TIME2020 - INOX 316

Set doccetta bordo vasca in acciaio spazzolato 316.

316 brushed stainless steel deck bath handshower set.



ARTICOLO COMPLETO / COMPLETE ITEM

70840AS00
AS

Sistema anticalcare Fast Clean. Pressione dinamica minima di utilizzo 1 bar. Portata a pressione dinamica 1-5 bar - 5 l/min. / Fast Clean shower. Minimum dynamic pressure of use 1 bar. Flow rates at dynamic pressure 1-5 bar - 5 l/min.

Non disponibile in altre finiture. / Not available in other finishes.

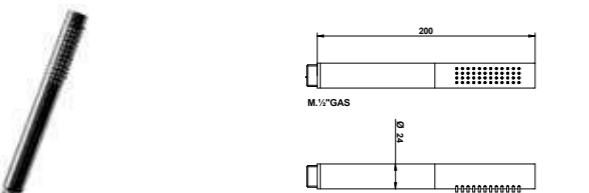
RICAMBI / SPARE PARTS

	70850AS		9606AS
--	----------------	--	---------------

70850 TIME2020 - INOX 316

Doccetta minimalista tonda monogetto con attacco universale da 1/2" m in acciaio spazzolato 316.

316 brushed stainless steel round single function handshower with 1/2" m standard connection.



ARTICOLO COMPLETO / COMPLETE ITEM

70850AS00
AS

Sistema anticalcare Fast Clean. Pressione dinamica minima di utilizzo 1 bar. Portata a pressione dinamica 1-5 bar - 5 l/min. / Fast Clean shower. Minimum dynamic pressure of use 1 bar. Flow rates at dynamic pressure 1-5 bar - 5 l/min.

Non disponibile in altre finiture. / Not available in other finishes.

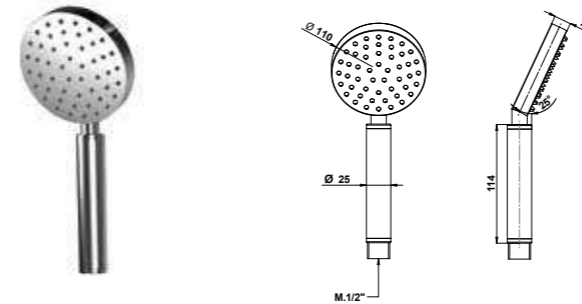
FINITURE E COLORI / FINISHES AND COLOURS



70923 TIME2020 - INOX 316

Doccetta monogetto tonda Ø 90 mm in acciaio spazzolato 316.

316 brushed stainless steel, Ø 90 mms, round single function hand shower.



ARTICOLO COMPLETO / COMPLETE ITEM

70923AS00
AS

Sistema anticalcare Fast Clean. Pressione dinamica minima di utilizzo 1 bar. Portata a pressione dinamica 1-5 bar - 8 l/min. / Fast Clean shower. Minimum dynamic pressure of use 1 bar. Flow rates at dynamic pressure 1-5 bar - 8 l/min.

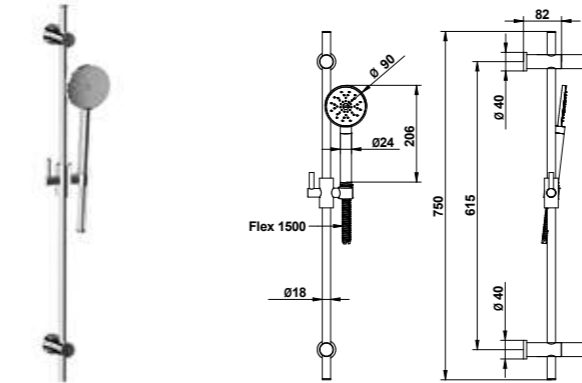
Non disponibile in altre finiture. / Not available in other finishes.

776 NEW

Saliscendi minimalista tondo con doccetta monogetto Ø 90 mm e flessibile doppia aggiratura 1500 mm, 1/2" ff conico.

Round minimalist sliding rail with Ø 90 mm single function handshower and mms 1500 double interlock hose, 1/2" ff conical.

Dettaglio flessibili / Flexible details pag. 42



ARTICOLO COMPLETO / COMPLETE ITEM

776CR00
CR

776NS00
NS/BU/ON/NE/BI

776HM00
HM/OR/CN/PL/WM/RM

776XX00 *
XX

* XX: Per tutte le altre finiture fattibili riferirsi a questa fascia di prezzo. / Refer to this line of price for all other realizable finishes.

Sistema anticalcare Fast Clean. Pressione dinamica minima di utilizzo 1 bar. Portata a pressione dinamica: con limitatore 1-5 bar - 8 l/min. / Fast Clean shower. Minimum dynamic pressure of use 1 bar. Flow rates at dynamic pressure: with limitation system 1-5 bar - 8 l/min.

ABBINABILE A / TO MATCH WITH:
Preso acqua / Water supply - **00899**

RICAMBI / SPARE PARTS

	9600CR		9600XPV *
	00750CR00		00750XX00 ◻

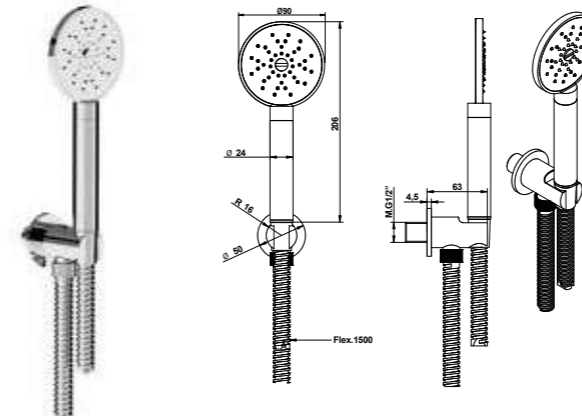
* Per le finiture verniciate e satinare il flessibile verrà fornito in PVC nero. / The flexible hose will be supplied in black PVC for painted and matt finishes.
◻ Ricambio per finiture diverse dal cromo. / Spare part for different finishes.

730 NEW

Duplex minimalista con erogazione , supporto fisso, doccetta monogetto in ottone Ø 90 mm e flessibile doppia aggiratura 1500 mm, 1/2" G. f.f. conico.

Round minimalist shower set with water supply elbow, fixed bracket, Ø 90 mms single function handshower and 1500 mms, 1/2" f.f. conical.

Dettaglio flessibili / Flexible details pag. 42



ARTICOLO COMPLETO / COMPLETE ITEM

730CR00
CR

730NS00
NS/BU/ON/NE/BI

730OR00
OR/CN/HM/NM

730XX00 *
XX

* XX: Per tutte le altre finiture fattibili riferirsi a questa fascia di prezzo. / Refer to this line of price for all other realizable finishes.

Sistema anticalcare Fast Clean. Pressione dinamica minima di utilizzo 1 bar. Portata a pressione dinamica: con limitatore 1-5 bar - 8 l/min. / Fast Clean shower. Minimum dynamic pressure of use 1 bar. Flow rates at dynamic pressure: with limitation system 1-5 bar - 8 l/min.

OPTIONAL: Rosone Ø 70mm. / Flange Ø 70mms. **00830/R7M1**

RICAMBI / SPARE PARTS

	9600CR		9600XPV *
	00750CR00		00750XX00 ◻

* Per le finiture verniciate e satinare il flessibile verrà fornito in PVC nero. / The flexible hose will be supplied in black PVC for painted and matt finishes.
◻ Ricambio per finiture diverse dal cromo. / Spare part for different finishes.

ACCESSORI E RICAMBI / ACCESSORIES AND SPARE PARTS

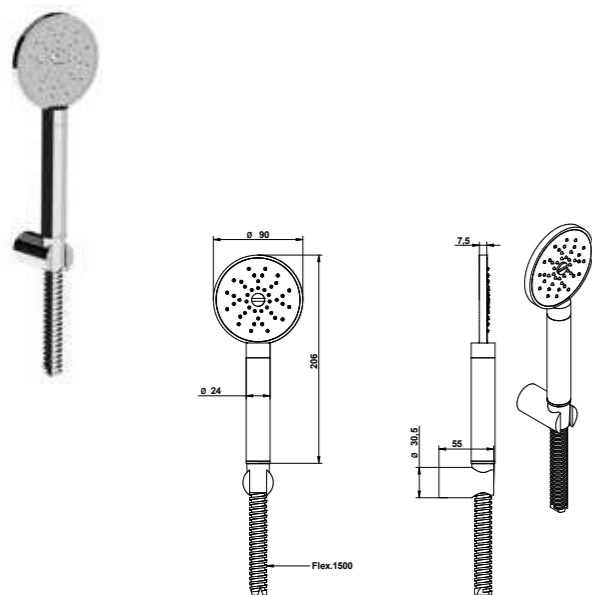


720 NEW

Duplex minimalista **senza erogazione**, supporto fisso, doccetta monogetto in ottone ø 90 mm e flessibile doppia aggraffatura 1500 mm, 1/2" G. f.f. conico, tutto in ottone, **senza erogazione.**

Round minimalist shower set with fixed bracket, 90 mms single function handshower and 1500 mms. 1/2" f.f. conical, all in brass, **without water supply.**

Dettaglio flessibili / Flexible details pag. 42



ARTICOLO COMPLETO / COMPLETE ITEM

- 720CR00**
CR
- 720NS00**
NS/BU/ON/NE/BI
- 720OR00**
OR/PL/CN/WM/RM/HM/NM
- 720XX00 ***
XX

*XX: Per tutte le altre finiture fattibili riferirsi a questa fascia di prezzo. / Refer to this line of price for all other realizable finishes.

Sistema anticalcare Fast Clean. Pressione dinamica minima di utilizzo 1 bar. Portata a pressione dinamica: con limitatore 1-5 bar - 8 l/min. / Fast Clean shower. Minimum dynamic pressure of use 1 bar. Flow rates at dynamic pressure: with limitation system 1-5 bar - 8 l/min.

RICAMBI / SPARE PARTS

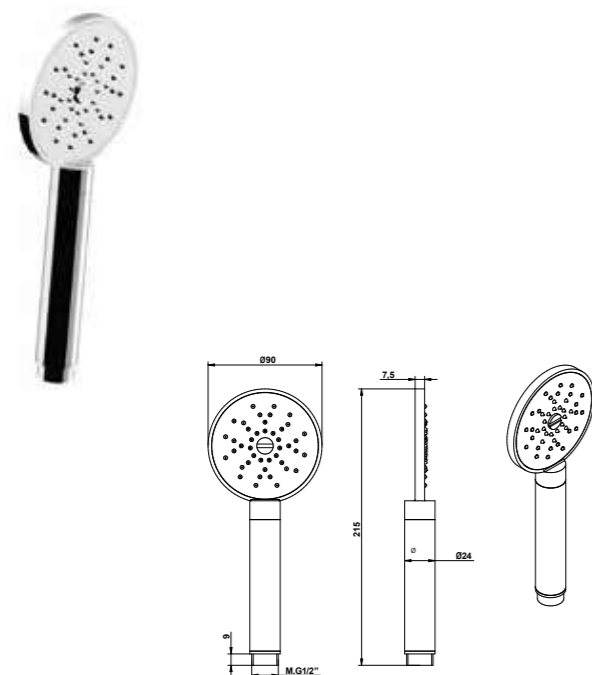
	9600CR		9600XXPV *
	00750CR00		00750XX00 ◻

* Per le finiture verniciate e satinare il flessibile verrà fornito in PVC nero. / The flexible hose will be supplied in black PVC for painted and matt finishes.
◻ Ricambio per finiture diverse dal cromo. / Spare part for different finishes.

750 NEW

Doccetta monogetto in ottone Ø 90mm con attacco universale 1/2" M. Brass Ø 90 mms single function handshower with 1/2" M standard connection.

Dettaglio flessibili / Flexible details pag. 42



ARTICOLO COMPLETO / COMPLETE ITEM

- 750CR00**
CR
- 750NS00**
NS/BU/ON/NE/BI
- 750OR00**
OR/PL/CN/WM/RM
- 750XX00 ***
XX

*XX: Per tutte le altre finiture fattibili riferirsi a questa fascia di prezzo. / Refer to this line of price for all other realizable finishes.

Sistema anticalcare Fast Clean. Pressione dinamica minima di utilizzo 1 bar. Portata a pressione dinamica: con limitatore 1-5 bar - 8 l/min. / Fast Clean shower. Minimum dynamic pressure of use 1 bar. Flow rates at dynamic pressure: with limitation system 1-5 bar - 8 l/min.

FINITURE E COLORI / FINISHES AND COLOURS

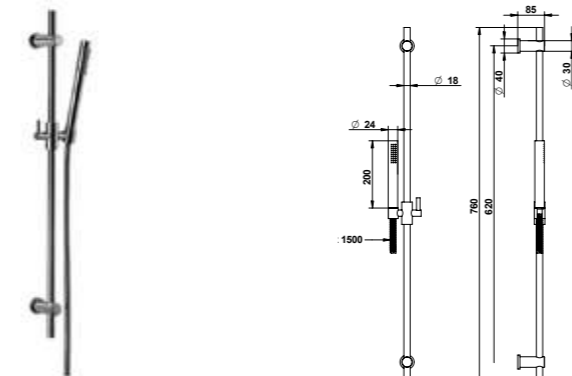


870

Saliscendi minimalista tondo con doccetta monogetto e flessibile doppia aggraffatura 1500 mm, 1/2" ff conico.

Round minimalist sliding rail with single function handshower and mms. 1500 double interlock hose, 1/2" ff conical.

Dettaglio flessibili / Flexible details pag. 42



* Per le finiture verniciate e satinare il flessibile verrà fornito in PVC nero. / The flexible hose will be supplied in black PVC for painted and matt finishes.
◻ Ricambio per finiture diverse dal cromo. / Spare part for different finishes.

ARTICOLO COMPLETO / COMPLETE ITEM

- 870CR00**
CR
- 870NS00**
NS/PL/NE/BI
- 870BM00**
BM/CN/OR/AM/FA/TT/CM
- 870XX00 ***
XX

*XX: Per tutte le altre finiture fattibili riferirsi a questa fascia di prezzo. / Refer to this line of price for all other realizable finishes

Sistema anticalcare Fast Clean. Pressione dinamica minima di utilizzo 1 bar. Portata a pressione dinamica 1-5 bar - 5 l/min. / Fast Clean shower. Minimum dynamic pressure of use 1 bar. Flow rates at dynamic pressure 1-5 bar - 5 l/min.

ABBINABILE A / TO MATCH WITH:
Preso acqua / Water supply - **00899**

RICAMBI / SPARE PARTS

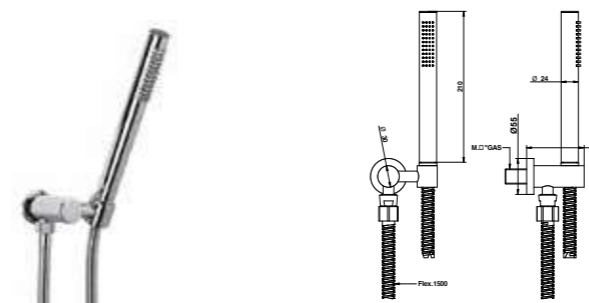
	9600CR		00850CR00
	9600XXPV *		00850XX00 ◻

830

Duplex minimalista tondo **con erogazione, supporto orientabile**, doccetta monogetto e flessibile doppia aggraffatura mm 1500, 1/2" ff conico.

Round shower set with **water supply elbow, orientable bracket**, single function handshower and 1500 mms. double interlock hose, 1/2" ff conical.

Dettaglio flessibili / Flexible details pag. 42



ARTICOLO COMPLETO / COMPLETE ITEM

- 830CR00**
CR
- 830NS00**
NS/NE/BI/BU/ON/PL
- 830OR00**
OR/CN
- 830OP00**
OP

Sistema anticalcare Fast Clean. Pressione dinamica minima di utilizzo 1 bar. Portata a pressione dinamica 1-5 bar - 5 l/min. / Fast Clean shower. Minimum dynamic pressure of use 1 bar. Flow rates at dynamic pressure 1-5 bar - 5 l/min.

Non disponibile in altre finiture. / Not available in other finishes.
OPTIONAL: Rosone Ø 80mm / Flange Ø 80mms **00830-80**

RICAMBI / SPARE PARTS

	9600CR		00850CR00
	9600XXPV *		00850XX00 ◻

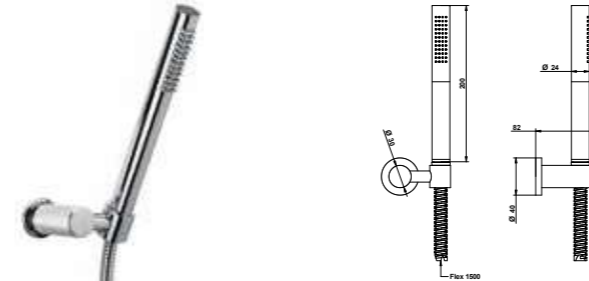
* Per le finiture verniciate e satinare il flessibile verrà fornito in PVC nero. / The flexible hose will be supplied in black PVC for painted and matt finishes.
◻ Ricambio per finiture diverse dal cromo. / Spare part for different finishes.

820

Duplex minimalista tondo **senza erogazione**, con supporto orientabile, doccetta monogetto e flessibile doppia aggraffatura 1500 mm, 1/2" ff conico.

Round shower set with orientable bracket, single function handshower and 1500 mms. double interlock hose, 1/2" ff conical.

Dettaglio flessibili / Flexible details pag. 42



ARTICOLO COMPLETO / COMPLETE ITEM

- 820CR00**
CR
- 820NS00**
NS/NE/BI/BU/ON/PL
- 820OR00**
OR/CN
- 820OP00**
OP

Sistema anticalcare Fast Clean. Pressione dinamica minima di utilizzo 1 bar. Portata a pressione dinamica: con limitatore 1-5 bar - 5 l/min. / Fast Clean shower. Minimum dynamic pressure of use 1 bar. Flow rates at dynamic pressure: with limitation system 1-5 bar - 5 l/min.

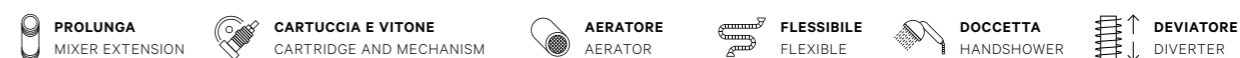
Non disponibile in altre finiture. / Not available in other finishes.

RICAMBI / SPARE PARTS

	9600CR		00850CR00
	9600XXPV *		00850XX00 ◻

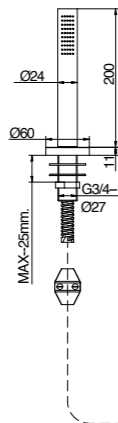
* Per le finiture verniciate e satinare il flessibile verrà fornito in PVC nero. / The flexible hose will be supplied in black PVC for painted and matt finishes.
◻ Ricambio per finiture diverse dal cromo. / Spare part for different finishes.

ACCESSORI E RICAMBI / ACCESSORIES AND SPARE PARTS



844

Set doccia bordo piano. Deck shower set.



ARTICOLO COMPLETO / COMPLETE ITEM

00844CR00
CR

00844NS00
NS/NE/BI/ON/BU

00844OR00
OR

00844XX00 *
XX

* XX: Per tutte le altre finiture fattibili riferirsi a questa fascia di prezzo. / Refer to this line of price for all other realizable finishes.

Sistema anticalcare Fast Clean. Pressione dinamica minima di utilizzo 1 bar. Portata a pressione dinamica: con limitatore 1-5 bar - 5 l/min. / Fast Clean shower. Minimum dynamic pressure of use 1 bar. Flow rates at dynamic pressure: with limitation system 1-5 bar - 5 l/min.

RICAMBI / SPARE PARTS

	9606CR		00850CROE
	00850XX00 *		

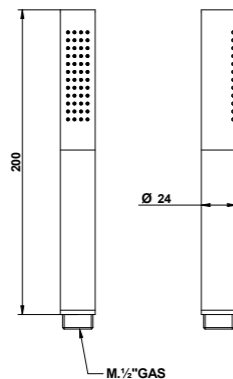
* Ricambio per finiture diverse dal cromo. / Spare part for different finishes.

850

Doccetta minimalista tonda monogetto con attacco universale da 1/2" m. Round single function handshower with 1/2" m standard connection.



Round single function handshower with 1/2" m standard connection.



ARTICOLO COMPLETO / COMPLETE ITEM

850CR00
CR

850NS00
NS

850CN00
CN/OR/AM/FA/TT

850XX00 *
XX

* XX: Per tutte le altre finiture fattibili riferirsi a questa fascia di prezzo. / Refer to this line of price for all other realizable finishes.

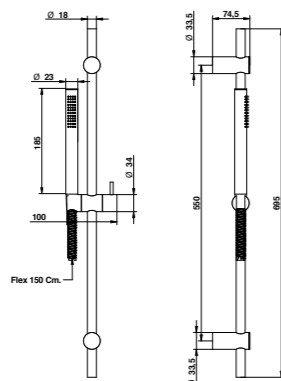
Sistema anticalcare Fast Clean. Pressione dinamica minima di utilizzo 1 bar. Portata a pressione dinamica: con limitatore 1-5 bar - 5 l/min. / Fast Clean shower. Minimum dynamic pressure of use 1 bar. Flow rates at dynamic pressure: with limitation system 1-5 bar - 5 l/min.

870/EPR

Saliscendi minimalista tondo con doccetta monogetto in ABS, supporti asta e doccetta in ABS, flessibile 1500 mm, 1/2" FF conico.

Round minimalist sliding rail with ABS single function handshower, ABS wall and slider brackets and 1500 mms flexible hose, 1/2" FF conical.

Dettaglio flessibili / Flexible details pag. 42



ARTICOLO COMPLETO / COMPLETE ITEM

870CROEPR
CR

870NSOEPR
NS

870NEOEPR
NE

Sistema anticalcare Fast Clean. Pressione dinamica minima di utilizzo 0,5 bar. Portata a pressione dinamica 3 bar - 22 l/min. / Fast Clean shower. Minimum dynamic pressure of use 0,5 bar. Flow rates at dynamic pressure 3 bar - 22 l/min.

ABBINABILE A / TO MATCH WITH:
Preso acqua / Water supply - **00899**

RICAMBI / SPARE PARTS

	9611CR		00850CROE
	9600XXPV *		00850XX00 *

* Per le finiture verniciate e satinare il flessibile verrà fornito in PVC nero. / The flexible hose will be supplied in black PVC for painted and matt finishes.
* Ricambio per finiture diverse dal cromo. / Spare part for different finishes.

FINITURE E COLORI / FINISHES AND COLOURS

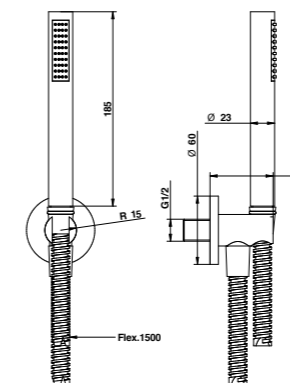


830/EPR

Duplex con erogazione in ABS, supporto fisso, doccetta monogetto in ABS e flessibile 1500 mm, 1/2" ff conico.

ABS shower set with water supply elbow, fixed bracket, ABS single function handshower and 1500 mms flexible hose, 1/2" FF conical.

Dettaglio flessibili / Flexible details pag. 42



ARTICOLO COMPLETO / COMPLETE ITEM

830CROEPR
CR

830NSOEPR
NS

Sistema anticalcare Fast Clean. Pressione dinamica minima di utilizzo 0,5 bar. Portata a pressione dinamica 3 bar - 22 l/min. / Fast Clean shower. Minimum dynamic pressure of use 0,5 bar. Flow rates at dynamic pressure 3 bar - 22 l/min.

Non disponibile in altre finiture. / Not available in other finishes.

OPTIONAL: Rosone Ø 65mm / Flange Ø 65mms **00830/6E**

RICAMBI / SPARE PARTS

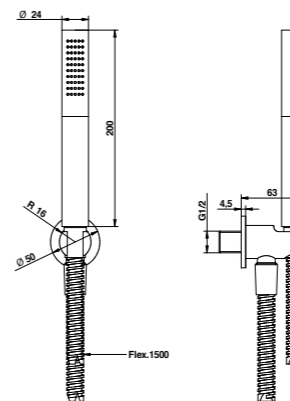
	9611CR		00850CROE
	9600NS00		00850NSOE

830/B1 NEW

Duplex con erogazione, supporto fisso, doccetta monogetto e flessibile doppia aggraffatura mm 1500, 1/2" FF conico, tutto in ottone.

Brass shower set with water supply elbow, fixed bracket, single function handshower and 1500 mms, 1/2" FF conical.

Dettaglio flessibili / Flexible details pag. 42



ARTICOLO COMPLETO / COMPLETE ITEM

830CRB1
CR

830NEB1
NE/BI/ON/BU/NS/PL

830CNB1
CN/OR

830OPB1
OP/TT/FA/HM/NM/AM/WM/RM/RS/
BM

830XXB1 *
XX

* XX: Per tutte le altre finiture fattibili riferirsi a questa fascia di prezzo. / Refer to this line of price for all other realizable finishes.

Sistema anticalcare Fast Clean. Pressione dinamica minima di utilizzo 1 bar. Portata a pressione dinamica 1-5 bar - 5 l/min. / Fast Clean shower. Minimum dynamic pressure of use 1 bar. Flow rates at dynamic pressure 1-5 bar - 5 l/min.

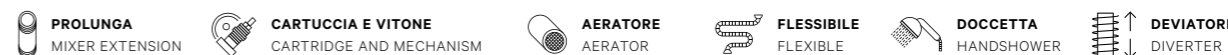
OPTIONAL: Rosone Ø 70mm. / Flange Ø 70mms. **00830-R7M1**

RICAMBI / SPARE PARTS

	9600CR		00850CRO0
	9600XXPV *		00850XX00 *

* Per le finiture verniciate e satinare il flessibile verrà fornito in PVC nero. / The flexible hose will be supplied in black PVC for painted and matt finishes.
* Ricambio per finiture diverse dal cromo. / Spare part for different finishes.

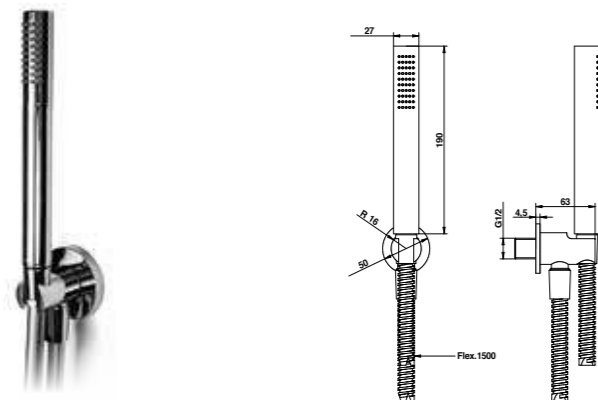
ACCESSORI E RICAMBI / ACCESSORIES AND SPARE PARTS



830/M1PR

Duplex con erogazione, supporto fisso, doccetta monogetto in ottone e flessibile pvc 1500 mm ff conico. / Shower set with water supply elbow, fixed bracket, brass single function handshower and 1500 mms. pvc hose 1/2" ff conical.

Dettaglio flessibili / Flexible details pag. 42



ARTICOLO COMPLETO / COMPLETE ITEM

830CRM1PR *
CR

830NEM1PR ◻
NE/BI/NS

* CR: Flessibile PVC **Argento** / CR: Flex PVC **Silver**
◻ NE: Flessibile PVC **Nero** - BI: Flessibile PVC **Bianco** - NS: Flessibile PVC **Inox** / NE: Flex PVC **Black** - BI: Flex PVC **White** - NS: Flex PVC **Inox**

Sistema anticalcare Fast Clean. Pressione dinamica minima di utilizzo 0,5 bar. Portata a pressione dinamica 3 bar - 22 l/min. / Fast Clean shower. Minimum dynamic pressure of use 0,5 bar. Flow rates at dynamic pressure 3 bar - 22 l/min.

Non disponibile in altre finiture. / Not available in other finishes.

OPTIONAL: Rosone Ø 70mm. / Flange Ø 70mms. **00830-R7M1**

RICAMBI / SPARE PARTS

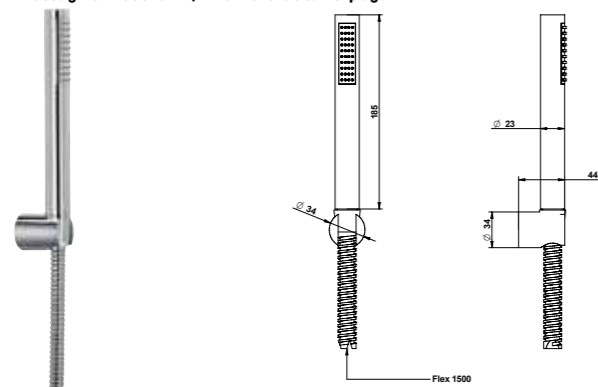
	09600XXPV *		00850CR00
	00850XX00 ◻		

* BI/NE/SI/AS /
◻ Ricambio per finiture diverse dal cromo. / Spare part for different finishes.

820/EPR

Duplex minimalista tondo senza erogazione in ABS, supporto fisso, doccetta monogetto in ABS e flessibile 1500 mm, 1/2" ff conico. / ABS round shower set with fixed bracket, ABS single function handshower and 1500 mms. flexible hose, 1/2" ff conical.

Dettaglio flessibili / Flexible details pag. 42



ARTICOLO COMPLETO / COMPLETE ITEM

820CROEPR
CR

820NSOEPR
NS

Sistema anticalcare Fast Clean. Pressione dinamica minima di utilizzo 0,5 bar. Portata a pressione dinamica 3 bar - 22 l/min. / Fast Clean shower. Minimum dynamic pressure of use 0,5 bar. Flow rates at dynamic pressure 3 bar - 22 l/min.

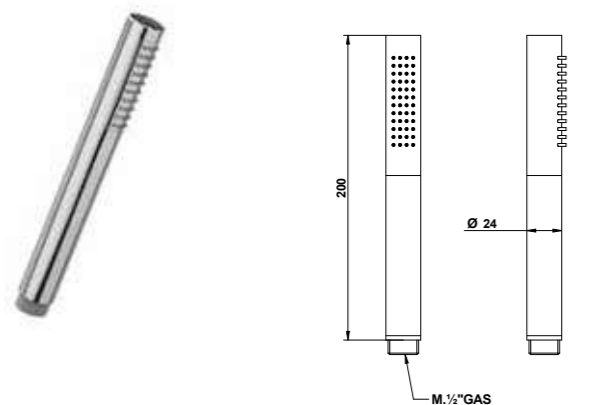
Non disponibile in altre finiture. / Not available in other finishes.

RICAMBI / SPARE PARTS

	9611CR		00850CROE
	9600NS00		00850NSOE

850/ EPR

Doccetta monogetto tonda in ABS con attacco universale da 1/2" M. / Round ABS single function handshower with 1/2" M standard connection.



ARTICOLO COMPLETO / COMPLETE ITEM

850CROEPR
CR

850NSOEPR
NS

Sistema anticalcare Fast Clean. Pressione dinamica minima di utilizzo 0,5 bar. Portata a pressione dinamica 3 bar - 22 l/min. / Fast Clean shower. Minimum dynamic pressure of use 0,5 bar. Flow rates at dynamic pressure 3 bar - 22 l/min.

Non disponibile in altre finiture. / Not available in other finishes.

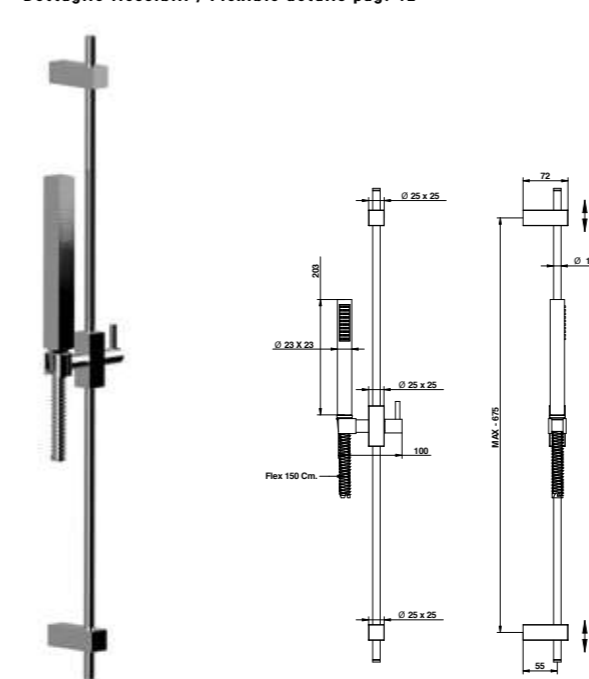
FINITURE E COLORI / FINISHES AND COLOURS



874

Saliscendi minimalista quadro con doccetta monogetto e flessibile doppia aggraffatura mm 1500, 1/2" ff conico. **Supporto a muro regolabile.** / Square minimalist sliding rail with single function handshower and mms. 1500 double interlock hose, 1/2" ff conical. **Adjustable support.**

Dettaglio flessibili / Flexible details pag. 42



ARTICOLO COMPLETO / COMPLETE ITEM

874CR00
CR

874NE00 *
NE

874NS00 *
NS/OR/FA/HM/NM/AM

* Nelle varianti colore verniciate e satinare alcuni particolari saranno in finitura galvanica per garantire gli standard qualitativi. / To assure our quality standard on colored and satin product, some details remain in galvanic finishes.

Sistema anticalcare Fast Clean. Pressione dinamica minima di utilizzo 1 bar. Portata a pressione dinamica 1-5 bar - 5 l/min. / Fast Clean shower. Minimum dynamic pressure of use 1 bar. Flow rates at dynamic pressure 1-5 bar - 5 l/min.

Non disponibile in altre finiture. / Not available in other finishes.

ABBINABILE A / TO MATCH WITH:
Preso acqua / Water supply - **00897**

RICAMBI / SPARE PARTS

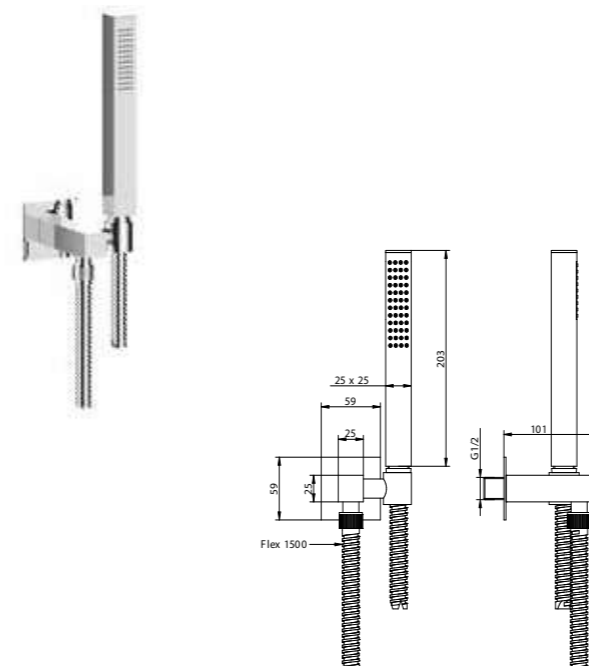
	9600CR		00854CR00
	9600XXPV *		00854XX00 ◻

* Per le finiture verniciate e satinare il flessibile verrà fornito in PVC nero. / The flexible hose will be supplied in black PVC for painted and matt finishes.
◻ Ricambio per finiture diverse dal cromo. / Spare part for different finishes.

834

Duplex minimalista quadro con erogazione, supporto orientabile, doccetta monogetto e flessibile doppia aggraffatura 1500 mm, 1/2" ff conico. / Square shower set with water supply con erogazione, supporto orientabile, elbow, orientable bracket, single function handshower and 1500 mms double interlock hose, 1/2" ff conical.

Dettaglio flessibili / Flexible details pag. 42



ARTICOLO COMPLETO / COMPLETE ITEM

834CR00
CR

834NE00 *
NE

834NS00 *
NS/OR/FA

* Nelle varianti colore verniciate e satinare alcuni particolari saranno in finitura galvanica per garantire gli standard qualitativi. / To assure our quality standard on colored and satin product, some details remain in galvanic finishes.

Sistema anticalcare Fast Clean. Pressione dinamica minima di utilizzo 1 bar. Portata a pressione dinamica 1-5 bar - 5 l/min. / Fast Clean shower. Minimum dynamic pressure of use 1 bar. Flow rates at dynamic pressure 1-5 bar - 5 l/min.

Non disponibile in altre finiture. / Not available in other finishes.

RICAMBI / SPARE PARTS

	9600CR		00854CR00
	9600XXPV *		00854XX00 ◻

* Per le finiture verniciate e satinare il flessibile verrà fornito in PVC nero. / The flexible hose will be supplied in black PVC for painted and matt finishes.
◻ Ricambio per finiture diverse dal cromo. / Spare part for different finishes.

ACCESSORI E RICAMBI / ACCESSORIES AND SPARE PARTS

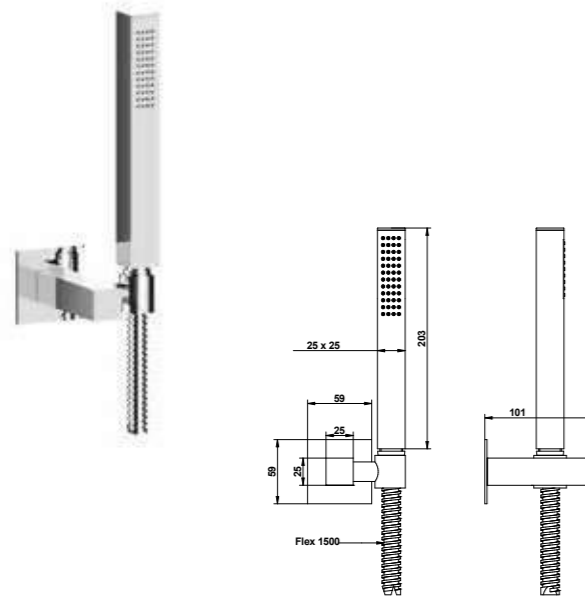


824

Duplex minimalista quadro **senza erogazione** in ottone, con supporto orientabile, doccetta monogetto e flessibile doppia aggraffatura 1500 mm, 1/2" ff conico. **without water supply elbow.**

Square shower set with orientable bracket, single function handshower and mms. 1500 double interlock hose, 1/2" ff conical **without water supply elbow.**

Dettaglio flessibili / Flexible details pag. 42



ARTICOLO COMPLETO / COMPLETE ITEM

824CR00
CR
824NE00 *
NE
824NS00 *
NS/OR/FA

* Nelle varianti colore verniciate e satinare alcuni particolari saranno in finitura galvanica per garantire gli standard qualitativi. / To assure our quality standard on colored and satin product, some details remain in galvanic finishes.

Sistema anticalcare Fast Clean. Pressione dinamica minima di utilizzo 1 bar. Portata a pressione dinamica 1-5 bar - 5 l/min. / Fast Clean shower. Minimum dynamic pressure of use 1 bar. Flow rates at dynamic pressure 1-5 bar - 5 l/min.

Non disponibile in altre finiture. / Not available in other finishes.

RICAMBI / SPARE PARTS

	9600CR		00854CR00
	9600XXPV *		00854XX00 □

* Per le finiture verniciate e satinare il flessibile verrà fornito in PVC nero. / The flexible hose will be supplied in black PVC for painted and matt finishes.
□ Ricambio per finiture diverse dal cromo. / Spare part for different finishes.

854

Doccetta minimalista quadra monogetto con attacco universale da 1/2" m.

Square single function handshower with 1/2" m standard connection.



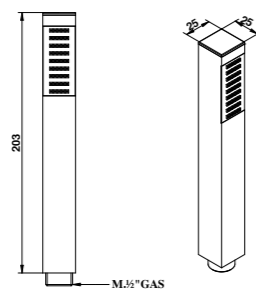
ARTICOLO COMPLETO / COMPLETE ITEM

854CR00
CR
854NS00 *
NS/NE
854OR00 *
OR/AM/FA/HM/NM
854XX00 □
XX

* Nelle varianti colore verniciate e satinare alcuni particolari saranno in finitura galvanica per garantire gli standard qualitativi. / To assure our quality standard on colored and satin product, some details remain in galvanic finishes.

□ XX: Per tutte le altre finiture fattibili riferirsi a questa fascia di prezzo. / Refer to this line of price for all other realizable finishes.

Sistema anticalcare Fast Clean. Pressione dinamica minima di utilizzo 1 bar. Portata a pressione dinamica 1-5 bar - 5 l/min. / Fast Clean shower. Minimum dynamic pressure of use 1 bar. Flow rates at dynamic pressure 1-5 bar - 5 l/min.



FINITURE E COLORI / FINISHES AND COLOURS

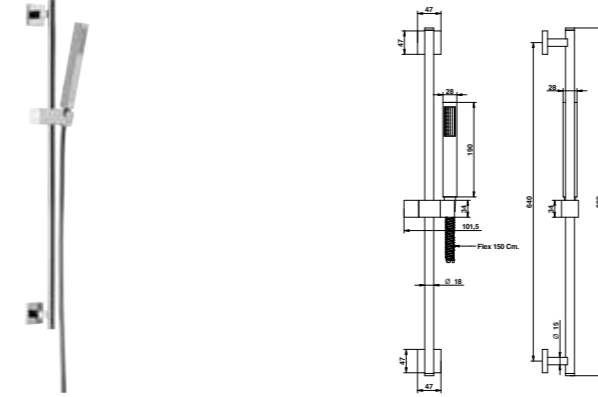


874/EPR

Saliscendi minimalista quadro con doccetta monogetto in ABS, supporti asta e doccetta in ABS, flessibile 1500 mm, 1/2" ff conico.

Square minimalist sliding rail with ABS single function handshower, ABS wall and slide brackets and 1500 mms. flexible hose, 1/2" ff conical.

Dettaglio flessibili / Flexible details pag. 42



ARTICOLO COMPLETO / COMPLETE ITEM

874CR0EPR
CR
874NS0EPR
NS

Sistema anticalcare Fast Clean. Pressione dinamica minima di utilizzo 0,5 bar. Portata a pressione dinamica 3 bar - 16 l/min. / Fast Clean shower. Minimum dynamic pressure of use 0,5 bar. Flow rates at dynamic pressure 3 bar - 16 l/min.

Non disponibile in altre finiture. / Not available in other finishes.

ABBINABILE A / TO MATCH WITH:
Preso acqua / Water supply - **00897**

RICAMBI / SPARE PARTS

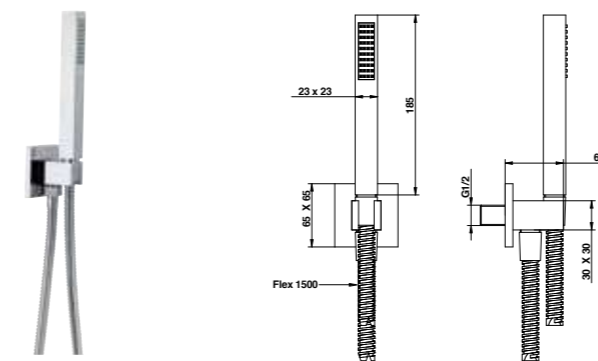
	9611CR		00854CROE
	9600NS00		00854NSOE

834/EPR

Duplex con erogazione in ABS, supporto fisso, doccetta monogetto in abs e flessibile doppia aggraffatura 1500 mm, 1/2" ff conico.

ABS shower set with water supply elbow fixed bracket, abs single function handshower and mms. 1500 double interlock hose, 1/2" ff conical.

Dettaglio flessibili / Flexible details pag. 42



ARTICOLO COMPLETO / COMPLETE ITEM

834CR0EPR
CR
834NS0EPR
NS

Sistema anticalcare Fast Clean. Pressione dinamica minima di utilizzo 0,5 bar. Portata a pressione dinamica: senza limitatore 3 bar - 16 l/min. / Fast Clean shower. Minimum dynamic pressure of use 0,5 bar. Flow rates at dynamic pressure: without limitation system 3 bar - 16 l/min.

Non disponibile in altre finiture. / Not available in other finishes.

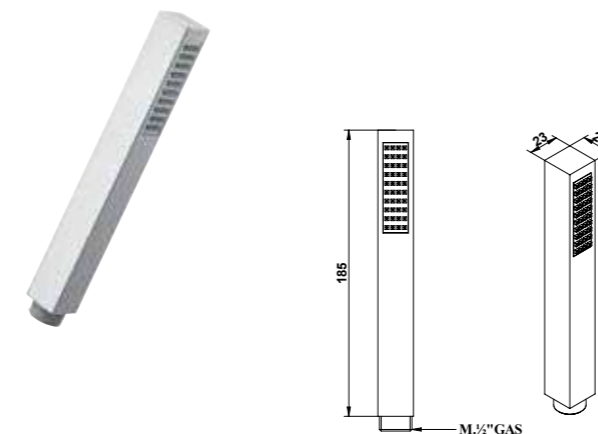
RICAMBI / SPARE PARTS

	9611CR		00854CROE
	9600NS00		00854NSOE

854/EPR

Doccetta minimalista quadra monogetto in ABS con attacco universale da 1/2" m.

ABS square single function handshower with 1/2" m standard connection.



ARTICOLO COMPLETO / COMPLETE ITEM

854CR0EPR
CR
854NS0EPR
NS

Sistema anticalcare Fast Clean. Pressione dinamica minima di utilizzo 0,5 bar. Portata a pressione dinamica: senza limitatore 3 bar - 16 l/min. / Fast Clean shower. Minimum dynamic pressure of use 0,5 bar. Flow rates at dynamic pressure: without limitation system 3 bar - 16 l/min.

Non disponibile in altre finiture. / Not available in other finishes.

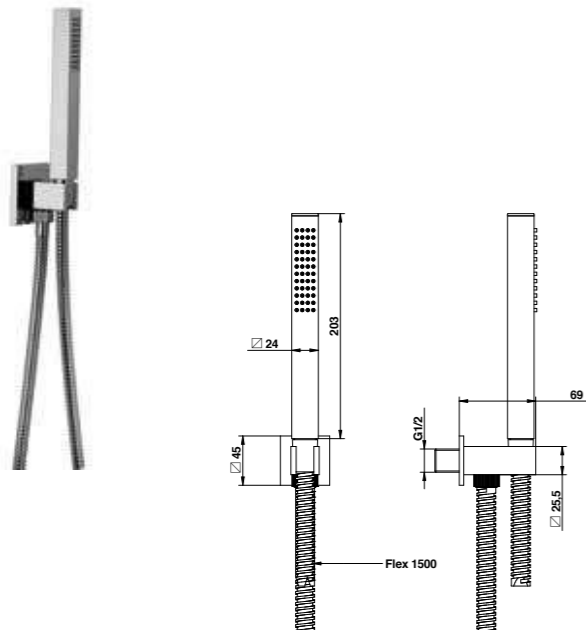
ACCESSORI E RICAMBI / ACCESSORIES AND SPARE PARTS



834/B1

Duplex con erogazione, supporto fisso, doccetta monogetto e flessibile doppia aggraffatura 1500 mm, 1/2" FF conico, tutto in ottone.

Brass shower set with water supply elbow, fixed bracket, single function handshower and 1500 mms. 1/2" FF conical.

Dettaglio flessibili / Flexible details pag. 42

ARTICOLO COMPLETO / COMPLETE ITEM
834CRB1
 CR

834NEB1*
 NE/BI/NS/PL

834CNB1
 CN/OR

834TTB1*
 OP/TT/FA/AM/OM/NM/BM

* Nelle varianti colore verniciate e satinare alcuni particolari saranno in finitura galvanica per garantire gli standard qualitativi. / To assure our quality standard on colored and satin product, some details remain in galvanic finishes.

Sistema anticalcare Fast Clean. Pressione dinamica minima di utilizzo 1 bar. Portata a pressione dinamica 1-5 bar - 5 l/min. / Fast Clean shower. Minimum dynamic pressure of use 1 bar. Flow rates at dynamic pressure 1-5 bar - 5 l/min.

 OPTIONAL: Rosone 70x70mm. / Flange 70x70mms. **00834-Q7M1**
RICAMBI / SPARE PARTS

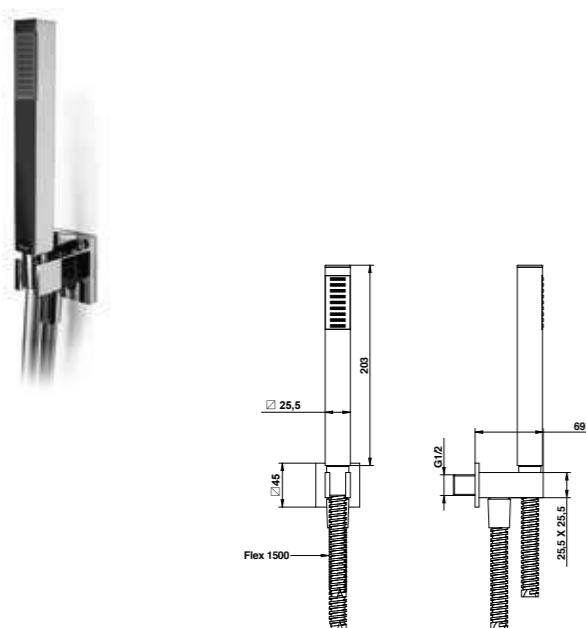
	9600CR		00854CR00
	9600XXPV*		00854XX00 □

* Per le finiture verniciate e satinare il flessibile verrà fornito in PVC nero. / The flexible hose will be supplied in black PVC for painted and matt finishes.
 □ Ricambio per finiture diverse dal cromo. / Spare part for different finishes.

834/M1PR

Duplex con erogazione, supporto fisso, doccetta monogetto in ottone e flessibile pvc 1500 mm ff conico.

Shower set with water supply elbow, fixed bracket, brass single function handshower and 1500 mms. pvc hose 1/2" ff conical.

Dettaglio flessibili / Flexible details pag. 42

ARTICOLO COMPLETO / COMPLETE ITEM
834CRM1PR*
 CR

834NEM1PR □
 NE/BI/NS

* CR: Flessibile PVC **Argento** / CR: Flex PVC **Silver**
 □ NE: Flessibile PVC **Nero** - BI: Flessibile PVC **Bianco** - NS: Flessibile PVC **Inox** / NE: Flex PVC **Black** - BI: Flex PVC **White** - NS: Flex PVC **Inox**

Sistema anticalcare Fast Clean. Pressione dinamica minima di utilizzo 0,5 bar. Portata a pressione dinamica 3 bar - 16 l/min. / Fast Clean shower. Minimum dynamic pressure of use 0,5 bar. Flow rates at dynamic pressure 3 bar - 16 l/min.

Nelle varianti colore verniciate e satinare alcuni particolari saranno in finitura galvanica per garantire gli standard qualitativi. / To assure our quality standard on colored product, some details remain in chrome.

Non disponibile in altre finiture. / Not available in other finishes.

 OPTIONAL: Rosone 70x70mm. / Flange 70x70mms. **00834-Q7M1**
RICAMBI / SPARE PARTS

	09600XXPV*		00854CR00
	00854XX00 □		

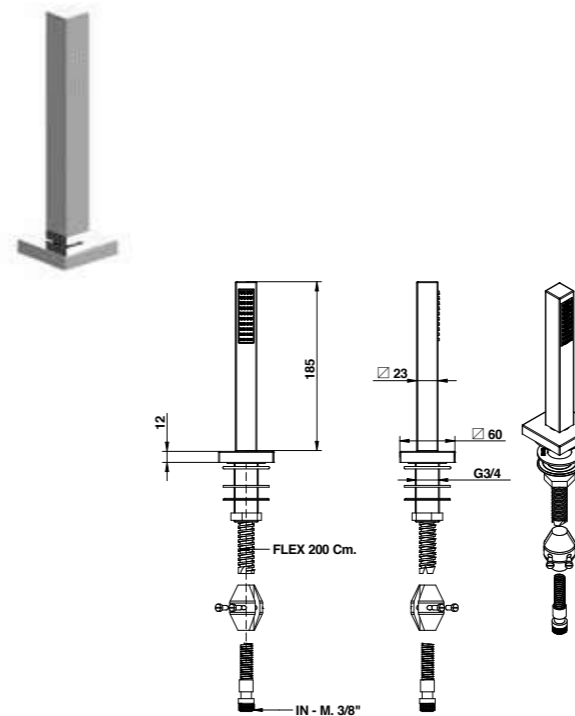
* BI/NE/SI/AS /
 □ Ricambio per finiture diverse dal cromo. / Spare part for different finishes.

FINITURE E COLORI / FINISHES AND COLOURS

845

Set doccia bordo piano.

Deck shower set.


ARTICOLO COMPLETO / COMPLETE ITEM
00845CR00
 CR

00845NS00*
 NS/NE

00845OR00*
 OR/FA/HM/NM/AM

00845XX00 □
 XX

* Nelle varianti colore verniciate e satinare alcuni particolari saranno in finitura galvanica per garantire gli standard qualitativi. / To assure our quality standard on colored and satin product, some details remain in galvanic finishes.

□ XX: Per tutte le altre finiture fattibili riferirsi a questa fascia di prezzo. / Refer to this line of price for all other realizable finishes.

Sistema anticalcare Fast Clean. Pressione dinamica minima di utilizzo 0,5 bar. Portata a pressione dinamica 3 bar - 16 l/min. / Fast Clean shower. Minimum dynamic pressure of use 0,5 bar. Flow rates at dynamic pressure 3 bar - 16 l/min.

RICAMBI / SPARE PARTS

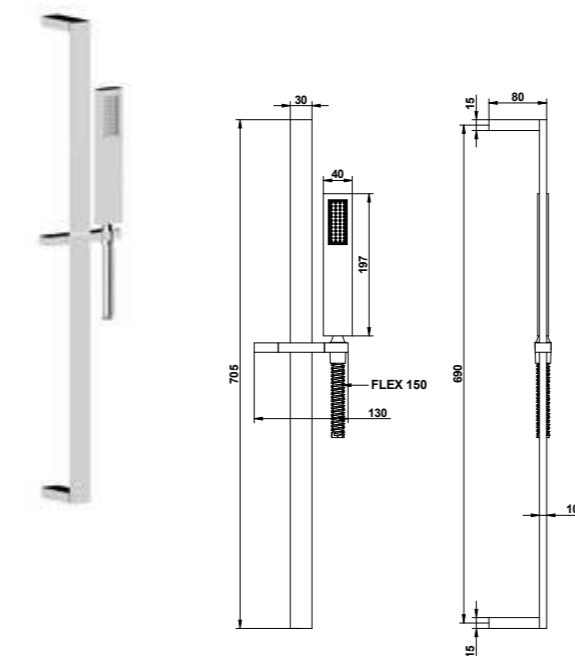
	9606CR		00854CR0E
	00854XX00*		

* Ricambio per finiture diverse dal cromo. / Spare part for different finishes.

878

Saliscendi rettangolare con doccetta monogetto e flessibile doppia aggraffatura 1500 mm, 1/2" ff conico.

Rectangular minimalist sliding rail with single function handshower and 1500 mms. double interlock hose, 1/2" ff conical.


ARTICOLO COMPLETO / COMPLETE ITEM
878CR00
 CR

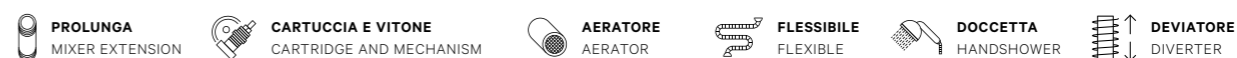
Sistema anticalcare Fast Clean. Pressione dinamica minima di utilizzo 1 bar. Portata a pressione dinamica 1-5 bar - 5 l/min. / Fast Clean shower. Minimum dynamic pressure of use 1 bar. Flow rates at dynamic pressure 1-5 bar - 5 l/min.

Non disponibile in altre finiture. / Not available in other finishes.

ABBINABILE A / TO MATCH WITH:
 Presa acqua / Water supply - **00897**

RICAMBI / SPARE PARTS

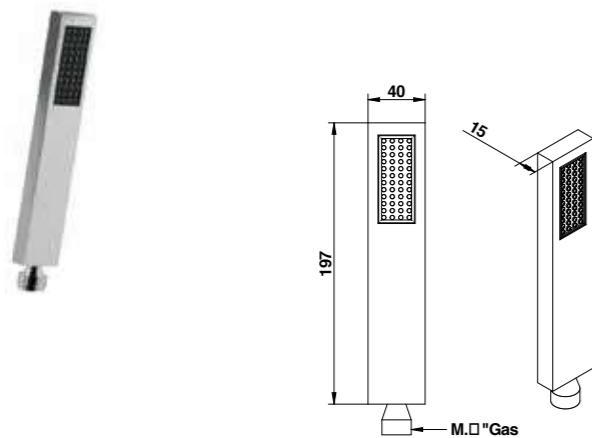
	9600CR		00920OR00
--	---------------	--	------------------

ACCESSORI E RICAMBI / ACCESSORIES AND SPARE PARTS


920

Doccetta rettangolare monogetto in ottone con attacco universale da 1/2" M.

Rectangular single function handshower with 1/2" m standard connection.



ARTICOLO COMPLETO / COMPLETE ITEM

920CR00
CR

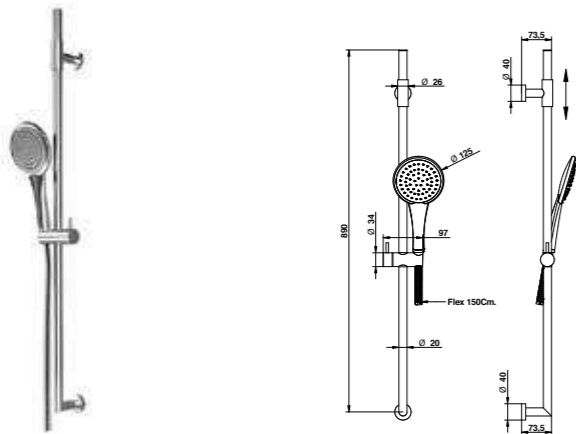
Sistema anticalcare Fast Clean. Pressione dinamica minima di utilizzo 1 bar. Portata a pressione dinamica 1-5 bar - 5 l/min. / Fast Clean shower. Minimum dynamic pressure of use 1 bar. Flow rates at dynamic pressure 1-5 bar - 5 l/min.

Non disponibile in altre finiture. / Not available in other finishes.

972

Saliscendi con supporto a muro regolabile, doccetta in ABS monogetto Ø 126 mm e flessibile 1500 mm ff conico.

Sliding rail with adjustable wall bracket. Ø 126 mm. ABS single function handshower and 1500 mms. ff 1/2" flexible hose.



ARTICOLO COMPLETO / COMPLETE ITEM

972CR00
CR

Sistema anticalcare Fast Clean. Pressione dinamica minima di utilizzo 0,5 bar. Portata a pressione dinamica 3 bar - 19 l/min. / Fast Clean shower. Minimum dynamic pressure of use 0,5 bar. Flow rates at dynamic pressure 3 bar - 19 l/min.

Non disponibile in altre finiture. / Not available in other finishes.

ABBINABILE A / TO MATCH WITH:
Preso acqua / Water supply - **00899**

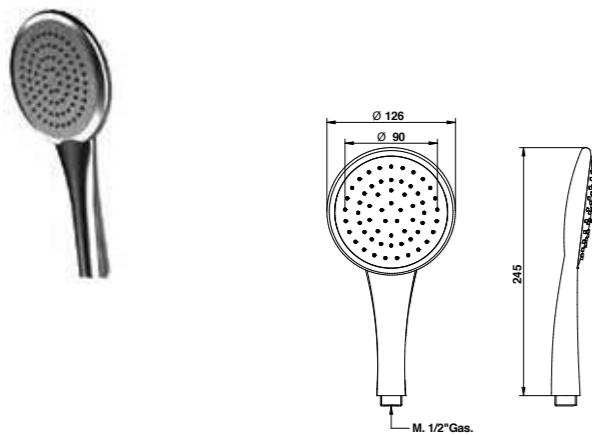
RICAMBI / SPARE PARTS

	9611CR		00950CR00
--	--------	--	-----------

950

Doccetta monogetto in ABS, Ø 126 mm con attacco universale da 1/2" M.

ABS single functions, Ø 126 mms with 1/2" M standard connection.



ARTICOLO COMPLETO / COMPLETE ITEM

950CR00
CR

Sistema anticalcare Fast Clean. Pressione dinamica minima di utilizzo 0,5 bar. Portata a pressione dinamica 3 bar - 19 l/min. / Fast Clean shower. Minimum dynamic pressure of use 0,5 bar. Flow rates at dynamic pressure 3 bar - 19 l/min.

Non disponibile in altre finiture. / Not available in other finishes.

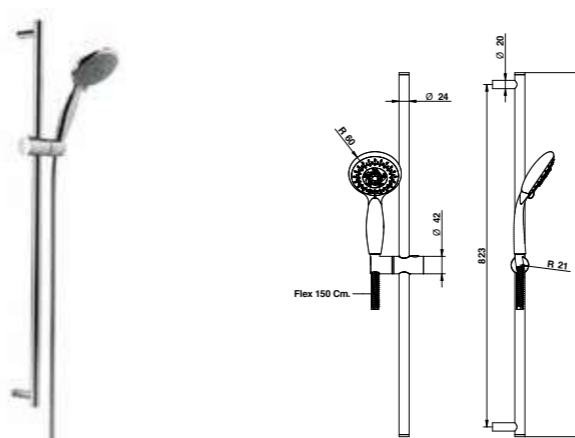
FINITURE E COLORI / FINISHES AND COLOURS



876/N 3 GETTI/3 FUNCTIONS

Saliscendi con doccetta a 3 getti Ø 130 mm e flessibile doppia aggraffatura 1500 mm, 1/2" ff conico.

Sliding rail with 3 functions Ø mms. 130 handshower and mms. 1500 double interlock hose, 1/2" ff conical.



ARTICOLO COMPLETO / COMPLETE ITEM

876CR0N
CR

Sistema anticalcare Fast Clean. Pressione dinamica minima di utilizzo 1 bar. Portata a pressione dinamica 1-5 bar - 8 l/min. / Fast Clean shower. Minimum dynamic pressure of use 1 bar. Flow rates at dynamic pressure 1-5 bar - 8 l/min.

Non disponibile in altre finiture. / Not available in other finishes.

ABBINABILE A / TO MATCH WITH:
Preso acqua / Water supply - **00899**

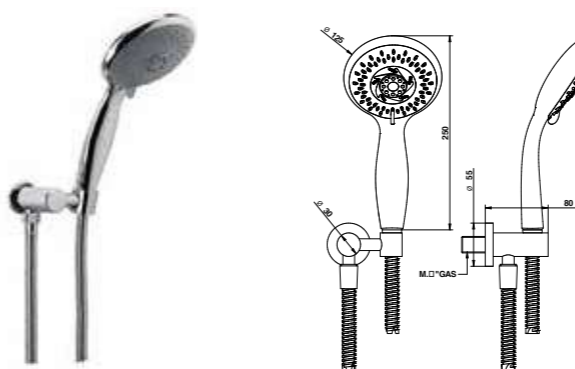
RICAMBI / SPARE PARTS

	9600CR		00849CR0N
--	--------	--	-----------

836/N

Duplex con erogazione, supporto orientabile, doccetta 3 getti e flessibile doppia aggraffatura 1500 mm, 1/2" ff conico.

Shower set with water supply elbow, orientable bracket, 3 functions handshower and mms. 1500 double interlock hose, 1/2" ff conical.



ARTICOLO COMPLETO / COMPLETE ITEM

836CR0N
CR

Sistema anticalcare Fast Clean. Pressione dinamica minima di utilizzo 1 bar. Portata a pressione dinamica 1-5 bar - 8 l/min. / Fast Clean shower. Minimum dynamic pressure of use 1 bar. Flow rates at dynamic pressure 1-5 bar - 8 l/min.

Non disponibile in altre finiture. / Not available in other finishes.

OPTIONAL: Rosone Ø 80mm / Flange Ø 80mms **00830-80**

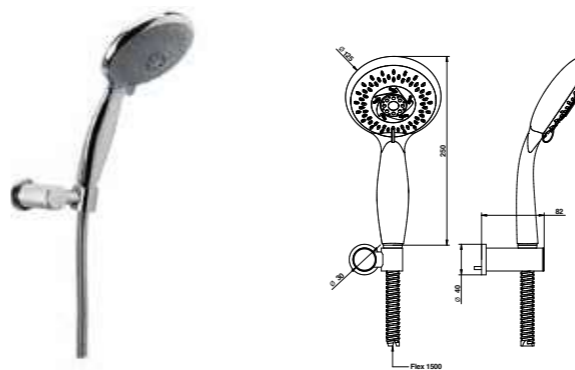
RICAMBI / SPARE PARTS

	9600CR		00849CR0N
--	--------	--	-----------

826/N

Duplex senza erogazione con supporto orientabile, doccetta 3 getti e flessibile doppia aggraffatura mm 1500, 1/2" ff conico.

Shower set with orientable bracket, 3 functions handshower and mms. 1500 double interlock hose, 1/2" ff conical without water supply elbow.



ARTICOLO COMPLETO / COMPLETE ITEM

826CR0N
CR

Sistema anticalcare Fast Clean. Pressione dinamica minima di utilizzo 1 bar. Portata a pressione dinamica 1-5 bar - 8 l/min. / Fast Clean shower. Minimum dynamic pressure of use 1 bar. Flow rates at dynamic pressure 1-5 bar - 8 l/min.

Non disponibile in altre finiture. / Not available in other finishes.

RICAMBI / SPARE PARTS

	9600CR		00849CR0N
--	--------	--	-----------

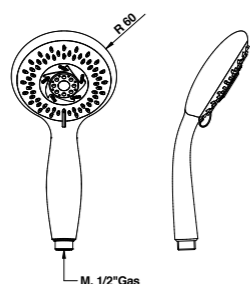
ACCESSORI E RICAMBI / ACCESSORIES AND SPARE PARTS



849/N 3 GETTI/3 FUNCTIONS

Doccetta 3 getti Ø 130 mm in ABS con attacco universale 1/2" M.

ABS round Ø 130 mms. 3 function handshower with 1/2" M standard connection.



ARTICOLO COMPLETO / COMPLETE ITEM

849CRON
CR

Sistema anticalcare Fast Clean. Pressione dinamica minima di utilizzo 1 bar. Portata a pressione dinamica 1-5 bar - 8 l/min. / Fast Clean shower. Minimum dynamic pressure of use 1 bar. Flow rates at dynamic pressure 1-5 bar - 8 l/min.

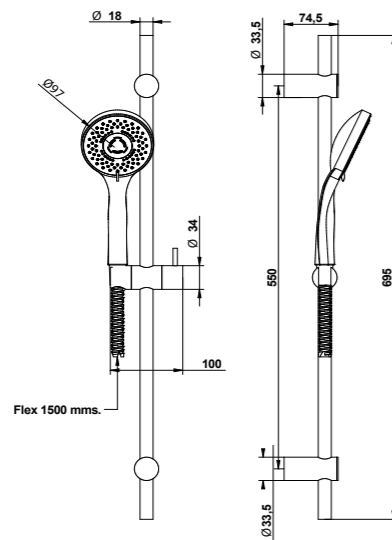
Non disponibile in altre finiture. / Not available in other finishes.

976/3 3 GETTI/3 FUNCTIONS

Saliscendi minimalista con doccetta 3 getti Ø 100 mm supporti asta e doccetta in abs e flessibile doppia aggiratura 1500 mm, 1/2" FF conico.

Minimalist sliding rail with Ø mms. 100 3 functions handshower, abs wall and slider bracket and mms. 1500 double interlock hose, 1/2" ff conical.

Dettaglio flessibili / Flexible details pag. 42



ARTICOLO COMPLETO / COMPLETE ITEM

976CR03
CR

976NS03
NS

976NE03
NE

976OR03
OR

976CN03
CN/OP

Sistema anticalcare Fast Clean. Pressione dinamica minima di utilizzo 1 bar. Portata a pressione dinamica 1-5 bar - 8 l/min. / Fast Clean shower. Minimum dynamic pressure of use 1 bar. Flow rates at dynamic pressure 1-5 bar - 8 l/min.

Non disponibile in altre finiture. / Not available in other finishes.

ABBINABILE A / TO MATCH WITH:
Preso acqua / Water supply - **00899**

RICAMBI / SPARE PARTS

	9600CR		00942CR00
	9600XPV *		00942XX00 ◻

* Per le finiture verniciate e satinare il flessibile verrà fornito in PVC nero. / The flexible hose will be supplied in black PVC for painted and matt finishes.
◻ Ricambio per finiture diverse dal cromo. / Spare part for different finishes.

FINITURE E COLORI / FINISHES AND COLOURS

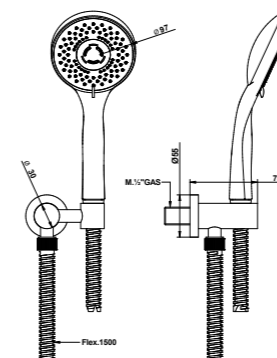


936/3 3 GETTI/3 FUNCTIONS

Duplex con erogazione, supporto orientabile, doccia 3 getti Ø 100 mm e flessibile doppia aggiratura 1500 mm, 1/2" ff conico.

Shower set with water supply elbow, orientable bracket Ø mms. 100 3 functions handshower and mms. 1500 double interlock flexible hose, 1/2" FF conical.

Dettaglio flessibili / Flexible details pag. 42



ARTICOLO COMPLETO / COMPLETE ITEM

936CR03
CR

936NS03
NS

936NE03
NE

936OR03
OR

936CN03
CN/OP

Sistema anticalcare Fast Clean. Pressione dinamica minima di utilizzo 1 bar. Portata a pressione dinamica 1-5 bar - 8 l/min. / Fast Clean shower. Minimum dynamic pressure of use 1 bar. Flow rates at dynamic pressure 1-5 bar - 8 l/min.

Non disponibile in altre finiture. / Not available in other finishes.

OPTIONAL: Rosone Ø 80mm / Flange Ø 80mms **00830-80**

RICAMBI / SPARE PARTS

	9600CR		00942CR00
	9600XPV *		00942XX00 ◻

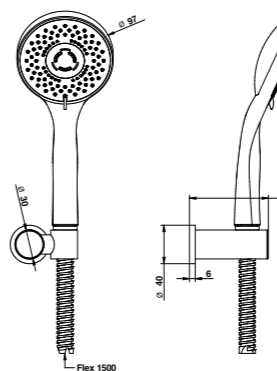
* Per le finiture verniciate e satinare il flessibile verrà fornito in PVC nero. / The flexible hose will be supplied in black PVC for painted and matt finishes.
◻ Ricambio per finiture diverse dal cromo. / Spare part for different finishes.

926/3 3 GETTI/3 FUNCTIONS

Duplex senza erogazione con supporto orientabile, doccia 3 getti Ø 100 mm e flessibile doppia aggiratura 1500 mm, 1/2" ff conico.

Shower set with orientable bracket Ø mms. 100 3 functions handshower and mms. 1500 double interlock hose, 1/2" FF conical. Without water supply elbow

Dettaglio flessibili / Flexible details pag. 42



ARTICOLO COMPLETO / COMPLETE ITEM

926CR03
CR

926NS03
NS

926NE03
NE

926OR03
OR

926CN03
CN/OP

Sistema anticalcare Fast Clean. Pressione dinamica minima di utilizzo 1 bar. Portata a pressione dinamica 1-5 bar - 8 l/min. / Fast Clean shower. Minimum dynamic pressure of use 1 bar. Flow rates at dynamic pressure 1-5 bar - 8 l/min.

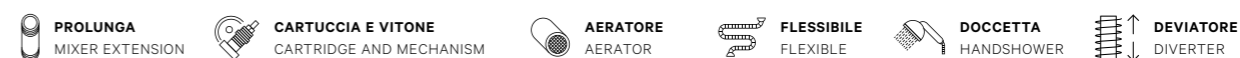
Non disponibile in altre finiture. / Not available in other finishes.

RICAMBI / SPARE PARTS

	9600CR		00942CR00
	9600XPV *		00942XX00 ◻

* Per le finiture verniciate e satinare il flessibile verrà fornito in PVC nero. / The flexible hose will be supplied in black PVC for painted and matt finishes.
◻ Ricambio per finiture diverse dal cromo. / Spare part for different finishes.

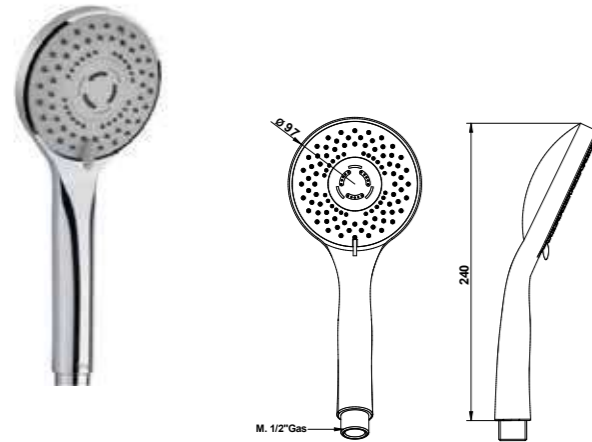
ACCESSORI E RICAMBI / ACCESSORIES AND SPARE PARTS



942

Doccetta 3 getti Ø 97 mm in abs, attacco universale 1/2" m.

Abs Ø mms. 97 3 functions handshower with 1/2" M standard connection.



ARTICOLO COMPLETO / COMPLETE ITEM

942CR00
CR

942NS00
NS

942NE00
NE

942OR00
OR

942CN00
CN/OP

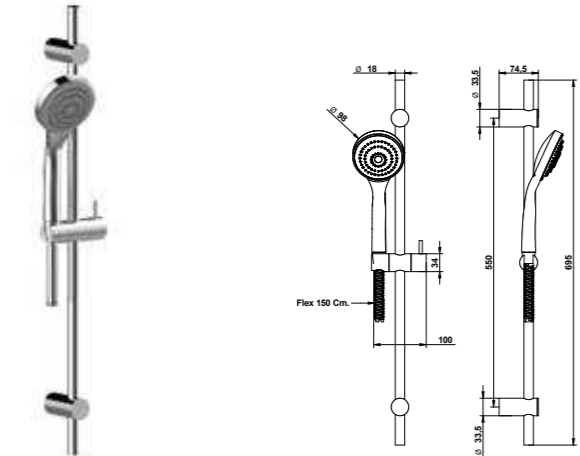
Sistema anticalcare Fast Clean. Pressione dinamica minima di utilizzo 1 bar. Portata a pressione dinamica 1-5 bar - 8 l/min. / Fast Clean shower. Minimum dynamic pressure of use 1 bar. Flow rates at dynamic pressure 1-5 bar - 8 l/min.

Non disponibile in altre finiture. / Not available in other finishes.

976/PR

Saliscendi minimalista con doccetta monogetto Ø 100 mm supporti asta e doccetta in abs e flessibile doppia aggiratura 1500 mm, 1/2" ff conico.

Minimalist sliding rail with Ø mms. 100 single function handshower, abs wall and slider bracket and mms. 1500 double interlock hose, 1/2" ff conical.



ARTICOLO COMPLETO / COMPLETE ITEM

976CRPR
CR

Sistema anticalcare Fast Clean. Pressione dinamica minima di utilizzo 1 bar. Portata a pressione dinamica 1-5 bar - 8 l/min. / Fast Clean shower. Minimum dynamic pressure of use 1 bar. Flow rates at dynamic pressure 1-5 bar - 8 l/min.

Non disponibile in altre finiture. / Not available in other finishes.

ABBINABILE A / TO MATCH WITH:
Preso acqua / Water supply - **00899**

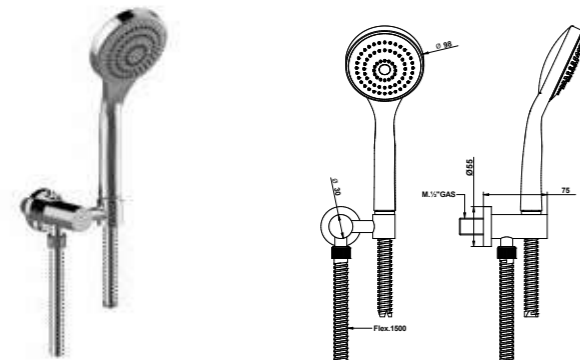
RICAMBI / SPARE PARTS

	9611CR		00923CR00
--	---------------	--	------------------

936/PR

Duplex con erogazione, supporto orientabile, doccetta monogetto Ø 100 mm e flessibile doppia aggiratura 1500 mm, 1/2" FF conico.

Shower set with water supply elbow, orientable bracket Ø mms. 100 single function handshower mms. 1500 and double interlock flexible hose, 1/2" ff conical.



ARTICOLO COMPLETO / COMPLETE ITEM

936CRPR
CR

Sistema anticalcare Fast Clean. Pressione dinamica minima di utilizzo 1 bar. Portata a pressione dinamica 1-5 bar - 8 l/min. / Fast Clean shower. Minimum dynamic pressure of use 1 bar. Flow rates at dynamic pressure 1-5 bar - 8 l/min.

Non disponibile in altre finiture. / Not available in other finishes.

OPTIONAL: Rosone Ø 80mm / Flange Ø 80mms **00830-80**

RICAMBI / SPARE PARTS

	9611CR		00923CR00
--	---------------	--	------------------

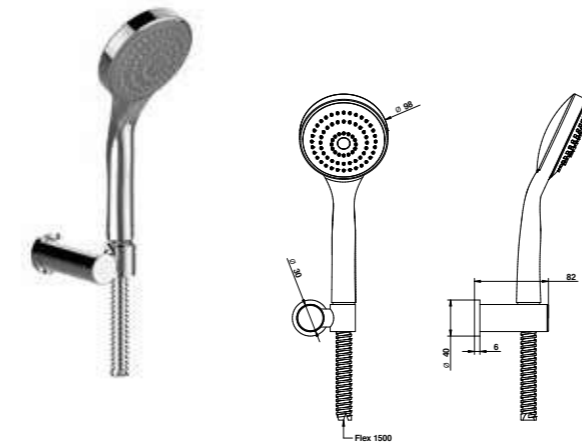
FINITURE E COLORI / FINISHES AND COLOURS



926/PR

Duplex senza erogazione con supporto orientabile, doccetta monogetto Ø 100 mm e flessibile doppia aggiratura 1500 mm, 1/2" ff conico.

Shower set with orientable bracket, Ø mms. 100 single function handshower and mms. 1500 double interlock hose, 1/2" ff conical. Without water supply elbow



ARTICOLO COMPLETO / COMPLETE ITEM

926CRPR
CR

Sistema anticalcare Fast Clean. Pressione dinamica minima di utilizzo 1 bar. Portata a pressione dinamica 1-5 bar - 8 l/min. / Fast Clean shower. Minimum dynamic pressure of use 1 bar. Flow rates at dynamic pressure 1-5 bar - 8 l/min.

Non disponibile in altre finiture. / Not available in other finishes.

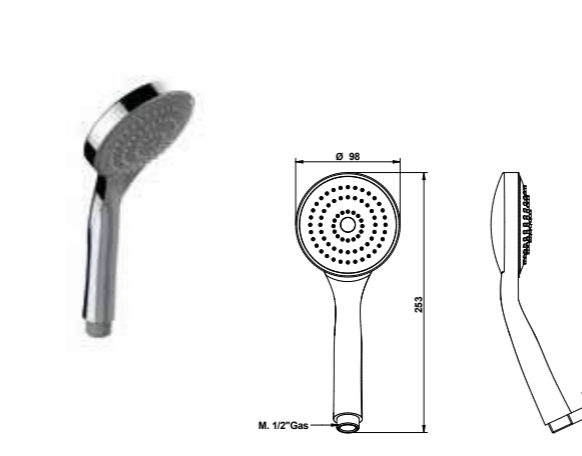
RICAMBI / SPARE PARTS

	9611CR		00923CR00
--	---------------	--	------------------

923/PR

Doccetta monogetto Ø 100 mm in ABS con attacco universale da 1/2" M.

ABS Ø 100 mms. single function handshower with 1/2" M standard connection.



ARTICOLO COMPLETO / COMPLETE ITEM

923CRPR
CR

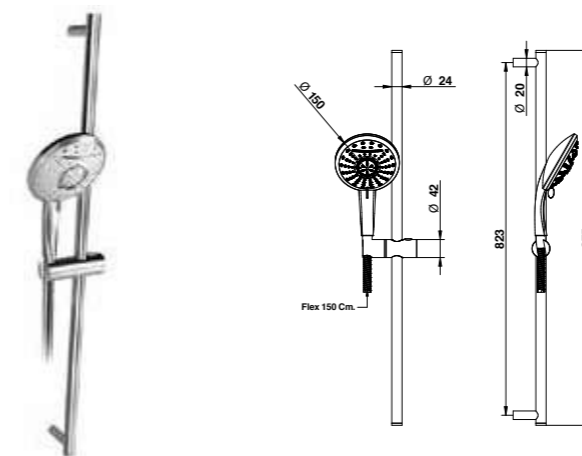
Sistema anticalcare Fast Clean. Pressione dinamica minima di utilizzo 1 bar. Portata a pressione dinamica 1-5 bar - 8 l/min. / Fast Clean shower. Minimum dynamic pressure of use 1 bar. Flow rates at dynamic pressure 1-5 bar - 8 l/min.

Non disponibile in altre finiture. / Not available in other finishes.

14876/PR

Saliscendi con doccetta a 5 getti in abs, flessibile 1500 mm, 1/2" ff conico.

Sliding rail with 5 function abs handshower and mms. 1500 1/2" ff flexible hose.



ARTICOLO COMPLETO / COMPLETE ITEM

14876CRPR
CR

Sistema anticalcare Fast Clean. Pressione dinamica minima di utilizzo 0,5 bar. Portata a pressione dinamica 3 bar - 19 l/min. / Fast Clean shower. Minimum dynamic pressure of use 0,5 bar. Flow rates at dynamic pressure 3 bar - 19 l/min.

Non disponibile in altre finiture. / Not available in other finishes.

ABBINABILE A / TO MATCH WITH:
Preso acqua / Water supply - **00899**

RICAMBI / SPARE PARTS

	9611CR		14846CR00
--	---------------	--	------------------

ACCESSORI E RICAMBI / ACCESSORIES AND SPARE PARTS



14846

Doccetta 5 getti in ABS, Ø 150 mm con attacco universale da 1/2" M.

ABS Ø 150 mms. 5 functions handshower with 1/2" M standard connection.



ARTICOLO COMPLETO / COMPLETE ITEM

14846CR00
CR

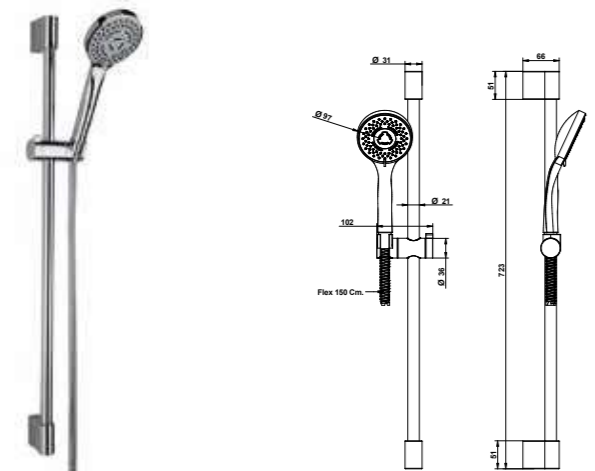
Sistema anticalcare Fast Clean. Pressione dinamica minima di utilizzo 0,5 bar. Portata a pressione dinamica 3 bar - 19 l/min. / Fast Clean shower. Minimum dynamic pressure of use 0,5 bar. Flow rates at dynamic pressure 3 bar - 19 l/min.

Non disponibile in altre finiture. / Not available in other finishes.

875/3GPR

Saliscendi con doccetta tre getti 96 mm in abs, supporti asta e doccetta in abs, flessibile 1500 mm 1/2" ff conico.

Sliding rail with mms. 96 abs 3 functions handshower, abs wall and slider bracket and mms. 1500 flexible hose, 1/2" ff conical.



ARTICOLO COMPLETO / COMPLETE ITEM

875CR3GPR
CR

Sistema anticalcare Fast Clean. Pressione dinamica minima di utilizzo 0,5 bar. Portata a pressione dinamica 3 bar - 19 l/min. / Fast Clean shower. Minimum dynamic pressure of use 0,5 bar. Flow rates at dynamic pressure 3 bar - 19 l/min.

Non disponibile in altre finiture. / Not available in other finishes.

ABBINABILE A / TO MATCH WITH:
Preso acqua / Water supply - **894**

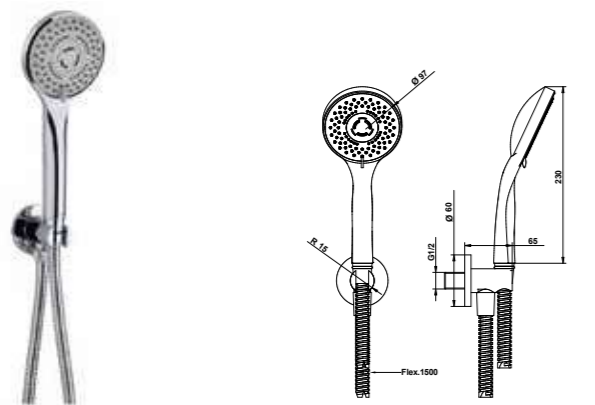
RICAMBI / SPARE PARTS

	9611CR		00942CRPR
--	--------	--	-----------

835/3G

Duplex con erogazione, supporto fisso, doccetta 3 getti e flessibile 1500 mm, 1/2" ff conico.

Shower set with water supply elbow, fixed bracket, 3 functions handshower and mms. 1500 flexible hose, 1/2" ff conical.



ARTICOLO COMPLETO / COMPLETE ITEM

835CR3GPR
CR

Sistema anticalcare Fast Clean. Pressione dinamica minima di utilizzo 0,5 bar. Portata a pressione dinamica 3 bar - 19 l/min. / Fast Clean shower. Minimum dynamic pressure of use 0,5 bar. Flow rates at dynamic pressure 3 bar - 19 l/min.

Non disponibile in altre finiture. / Not available in other finishes.

OPTIONAL: Rosone Ø 80mm / Flange Ø 80mms **00830-80**

RICAMBI / SPARE PARTS

	9611CR		00942CRPR
--	--------	--	-----------

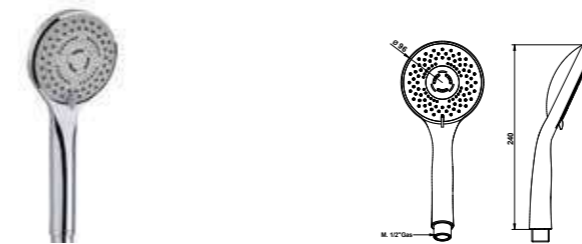
FINITURE E COLORI / FINISHES AND COLOURS



942/PR

Doccetta 3 getti in ABS, Ø 97 mm con attacco universale da 1/2" M.

ABS Ø 97 mms. 3 functions handshower.



ARTICOLO COMPLETO / COMPLETE ITEM

942CRPR
CR

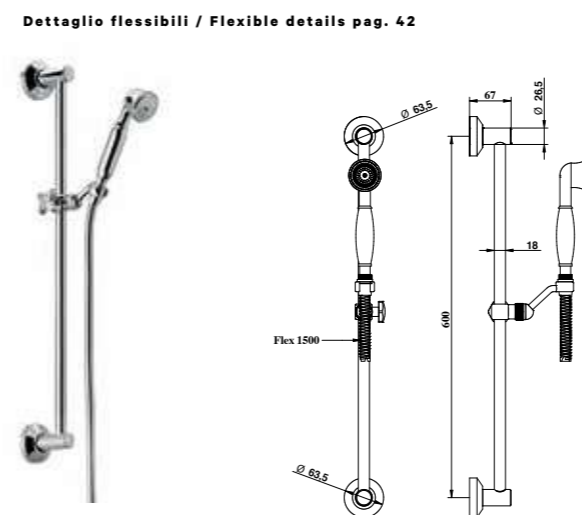
Sistema anticalcare Fast Clean. Pressione dinamica minima di utilizzo 0,5 bar. Portata a pressione dinamica 3 bar - 19 l/min. / Fast Clean shower. Minimum dynamic pressure of use 0,5 bar. Flow rates at dynamic pressure 3 bar - 19 l/min.

Non disponibile in altre finiture. / Not available in other finishes.

871

Saliscendi classico con doccetta monogetto e flessibile doppia aggiratura 1500 mm, 1/2" ff conico.

Classic sliding rail with single function handshower and mms. 1500 double interlock hose, 1/2" ff conical.



ARTICOLO COMPLETO / COMPLETE ITEM

871CR00
CR

871NS00 *
NS/PL/BM

871OR00 *
OR/FA/TT/OR/CO

871AM00 *
AM/OP

871XX00 *
XX

* Nelle varianti colore verniciate e satinare alcuni particolari saranno in finitura galvanica per garantire gli standard qualitativi. / To assure our quality standard on colored and satin product, some details remain in galvanic finishes.
* XX: Per tutte le altre finiture fattibili riferirsi a questa fascia di prezzo. / Refer to this line of price for all other realizable finishes.

Sistema anticalcare Fast Clean. Pressione dinamica minima di utilizzo 1 bar. Portata a pressione dinamica 1-5 bar - 5 l/min. / Fast Clean shower. Minimum dynamic pressure of use 1 bar. Flow rates at dynamic pressure 1-5 bar - 5 l/min.

ABBINABILE A / TO MATCH WITH:
Preso acqua / Water supply - **898**

RICAMBI / SPARE PARTS

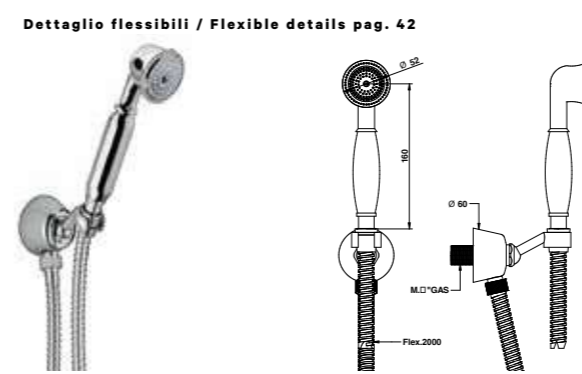
	9600CR		00851CR00
	9600XX00 *		00851XX00 *

* Ricambio per finiture diverse dal cromo. / Spare part for different finishes.

831

Duplex con erogazione con supporto orientabile, doccetta monogetto e flessibile doppia aggiratura 1500 mm, 1/2" ff conico.

Shower set with water supply elbow with orientable bracket, single function handshower and mms. 1500 double interlock hose, 1/2" ff conical.



ARTICOLO COMPLETO / COMPLETE ITEM

831CR00
CR

831NS00 *
NS/PL/BM

831OR00 *
OR/TT/FA/CO

831AM00 *
AM/OP

831XX00 *
XX

* Nelle varianti colore verniciate e satinare alcuni particolari saranno in finitura galvanica per garantire gli standard qualitativi. / To assure our quality standard on colored and satin product, some details remain in galvanic finishes.
* XX: Per tutte le altre finiture fattibili riferirsi a questa fascia di prezzo. / Refer to this line of price for all other realizable finishes.

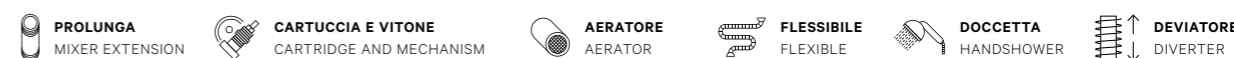
Sistema anticalcare Fast Clean. Pressione dinamica minima di utilizzo 1 bar. Portata a pressione dinamica 1-5 bar - 5 l/min. / Fast Clean shower. Minimum dynamic pressure of use 1 bar. Flow rates at dynamic pressure 1-5 bar - 5 l/min.

RICAMBI / SPARE PARTS

	9600CR		00851CR00
	09600XX00 *		00851XX00 *

* Ricambio per finiture diverse dal cromo. / Spare part for different finishes.

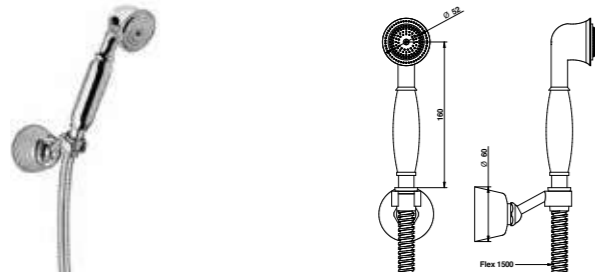
ACCESSORI E RICAMBI / ACCESSORIES AND SPARE PARTS



821

Duplex senza erogazione con supporto orientabile, doccetta monogetto e flessibile doppia aggiratura 1500 mm, 1/2" ff conico.

Shower set without water supply elbow with orientable bracket, single function handshower and mms. 1500 double interlock hose, 1/2" ff conical.

Dettaglio flessibili / Flexible details pag. 42

RICAMBI / SPARE PARTS

	9600CR00		00851CR00
	9600XX00 *		00851XX00 *

851

Doccetta classica con attacco universale da 1/2" m.

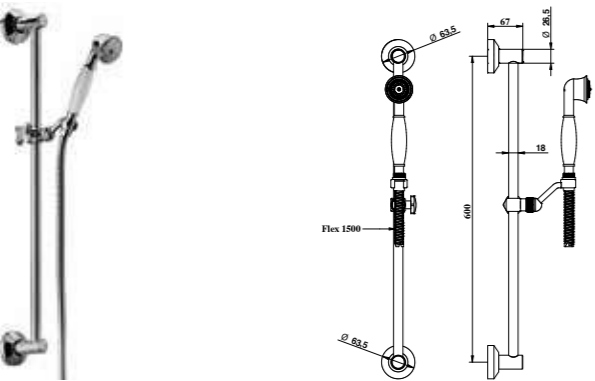
Classic handshower with 1/2" m standard collection.



971

Saliscendi classico con doccetta monogetto e flessibile doppia aggiratura 1500 mm, 1/2" ff conico.

Classic sliding rail with single function handshower and 1500 mms double interlock hose, 1/2" ff conical.

Dettaglio flessibili / Flexible details pag. 42

RICAMBI / SPARE PARTS

	9600CR00		00925CR00
	9600XX00 *		00925XX00 *

FINITURE E COLORI / FINISHES AND COLOURS

ARTICOLO COMPLETO / COMPLETE ITEM
821CR00
CR

821NS00 *
NS/PL/BM

821OR00 *
OR/FA/TT/CO

821AM00 *
AM/OP

821XX00 *
XX

* Nelle varianti colore verniciate e satinare alcuni particolari saranno in finitura galvanica per garantire gli standard qualitativi. / To assure our quality standard on colored and satin product, some details remain in galvanic finishes.

XX: Per tutte le altre finiture fattibili riferirsi a questa fascia di prezzo. / Refer to this line of price for all other realizable finishes.

Sistema anticalcare Fast Clean. Pressione dinamica minima di utilizzo 1 bar. Portata a pressione dinamica 1-5 bar - 5 l/min. / Fast Clean shower. Minimum dynamic pressure of use 1 bar. Flow rates at dynamic pressure 1-5 bar - 5 l/min.

* Ricambio per finiture diverse dal cromo. / Spare part for different finishes.

ARTICOLO COMPLETO / COMPLETE ITEM
851CR00
CR

851BM00
BM/NS/PL

851OR00
OR/AM/FA/TT

851XX00 *
XX

* XX: Per tutte le altre finiture fattibili riferirsi a questa fascia di prezzo. / Refer to this line of price for all other realizable finishes.

Sistema anticalcare Fast Clean. Pressione dinamica minima di utilizzo 1 bar. Portata a pressione dinamica 1-5 bar - 5 l/min. / Fast Clean shower. Minimum dynamic pressure of use 1 bar. Flow rates at dynamic pressure 1-5 bar - 5 l/min.

ARTICOLO COMPLETO / COMPLETE ITEM
971CR00
CR

971NS00 *
NS/PL/BM

971OR00
OR

971OP00
OP

* Nelle varianti colore verniciate e satinare alcuni particolari saranno in finitura galvanica per garantire gli standard qualitativi. / To assure our quality standard on colored and satin product, some details remain in galvanic finishes.

Sistema anticalcare Fast Clean. Pressione dinamica minima di utilizzo 1 bar. Portata a pressione dinamica 1-5 bar - 5 l/min. / Fast Clean shower. Minimum dynamic pressure of use 1 bar. Flow rates at dynamic pressure 1-5 bar - 5 l/min.

Non disponibile in altre finiture. / Not available in other finishes.

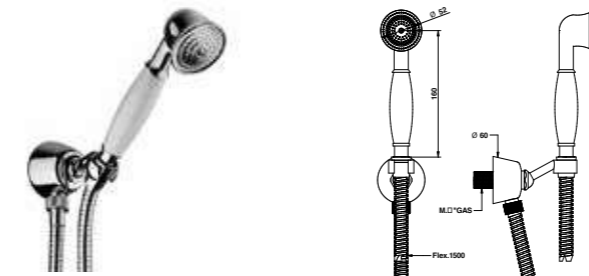
ABBINABILE A / TO MATCH WITH:
Preso acqua / Water supply - 898

* Ricambio per finiture diverse dal cromo. / Spare part for different finishes.

837

Duplex con erogazione con supporto orientabile, doccetta monogetto e flessibile doppia aggiratura 1500 mm, 1/2" ff conico.

Shower set with water supply elbow with orientable bracket, single function handshower and mms. 1500 double interlock hose, 1/2" ff conical.

Dettaglio flessibili / Flexible details pag. 42

RICAMBI / SPARE PARTS

	9600CR00		00925CR00
	9600XX00 *		00925XX00 *

827

Duplex senza erogazione con supporto orientabile, doccetta monogetto e flessibile doppia aggiratura 1500 mm 1/2" ff.

Shower set without water supply elbow with orientable bracket, single function handshower and 1500 mms. double interlock hose 1/2" ff conical.

Dettaglio flessibili / Flexible details pag. 42

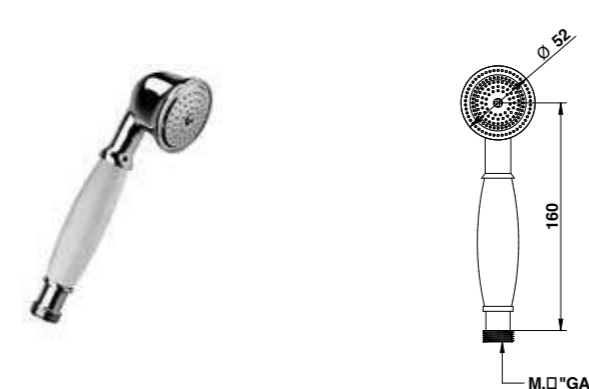
RICAMBI / SPARE PARTS

	9600CR00		00925CR00
	9600XX00 *		00925XX00 *

925

Doccetta classica con attacco universale da 1/2" m.

Classic handshower with 1/2" m standard connection.


ACCESSORI E RICAMBI / ACCESSORIES AND SPARE PARTS

ARTICOLO COMPLETO / COMPLETE ITEM
837CR00
CR

837NS00 *
NS/PL/BM

837OR00
OR

837OP00
OP

* Nelle varianti colore verniciate e satinare alcuni particolari saranno in finitura galvanica per garantire gli standard qualitativi. / To assure our quality standard on colored and satin product, some details remain in galvanic finishes.

Sistema anticalcare Fast Clean. Pressione dinamica minima di utilizzo 1 bar. Portata a pressione dinamica 1-5 bar - 5 l/min. / Fast Clean shower. Minimum dynamic pressure of use 1 bar. Flow rates at dynamic pressure 1-5 bar - 5 l/min.

Non disponibile in altre finiture. / Not available in other finishes.

* Ricambio per finiture diverse dal cromo. / Spare part for different finishes.

ARTICOLO COMPLETO / COMPLETE ITEM
827CR00
CR

827NS00 *
NS/PL/BM

827OR00
OR

827OP00
OP

* Nelle varianti colore verniciate e satinare alcuni particolari saranno in finitura galvanica per garantire gli standard qualitativi. / To assure our quality standard on colored and satin product, some details remain in galvanic finishes.

Sistema anticalcare Fast Clean. Pressione dinamica minima di utilizzo 1 bar. Portata a pressione dinamica 1-5 bar - 5 l/min. / Fast Clean shower. Minimum dynamic pressure of use 1 bar. Flow rates at dynamic pressure 1-5 bar - 5 l/min.

Non disponibile in altre finiture. / Not available in other finishes.

* Ricambio per finiture diverse dal cromo. / Spare part for different finishes.

ARTICOLO COMPLETO / COMPLETE ITEM
925CR00
CR

925NS00
NS/PL/BM

925OR00
OR

925OP00
OP

Sistema anticalcare Fast Clean. Pressione dinamica minima di utilizzo 1 bar. Portata a pressione dinamica 1-5 bar - 5 l/min. / Fast Clean shower. Minimum dynamic pressure of use 1 bar. Flow rates at dynamic pressure 1-5 bar - 5 l/min.

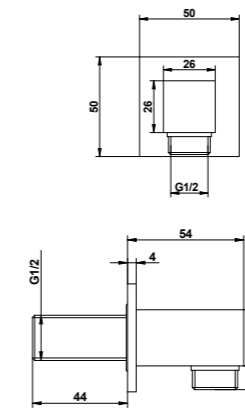
Non disponibile in altre finiture. / Not available in other finishes.

PRESE ACQUA
 WATER SUPPLIES

FINITURE E COLORI / FINISHES AND COLOURS

897

Presa acqua minimalista quadra con rosone. Square water supply elbow with flange.


ARTICOLO COMPLETO / COMPLETE ITEM
897CR00
 CR

897NE00
 NE/BI/ON/BU

897NS00
 NS/PL

897OR00
 OR/BM/NM/AM/HM

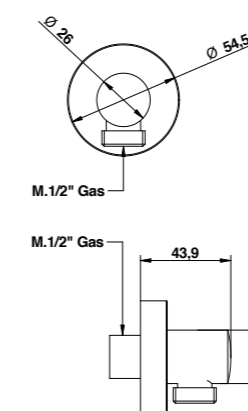
897TT00
 TT/FA/CM/OP/IM

897XX00 *
 XX

 * XX: Per tutte le altre finiture fattibili riferirsi a questa fascia di prezzo. /
 Refer to this line of price for all other realizable finishes.

899

Presa acqua minimalista tonda con rosone. Round water supply elbow with flange.


ARTICOLO COMPLETO / COMPLETE ITEM
899CR00
 CR

899NE00
 NE/BI

899NS00
 NS/PL

899OR00
 OR/BM/NM/HM

899TT00
 TT/FA/CM/IM

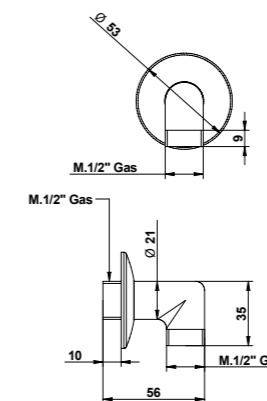
899AM00
 AM/OP

899XX00 *
 XX

 * XX: Per tutte le altre finiture fattibili riferirsi a questa fascia di prezzo. /
 Refer to this line of price for all other realizable finishes.

898

Presa acqua classica con rosone. Classic water supply elbow with flange.


ARTICOLO COMPLETO / COMPLETE ITEM
898CR00
 CR

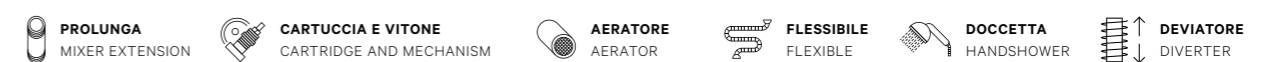
898NS00
 NS

898OR00
 OR

898AM00
 AM

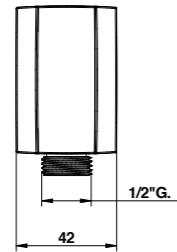
898XX00 *
 XX

 * XX: Per tutte le altre finiture fattibili riferirsi a questa fascia di prezzo. /
 Refer to this line of price for all other realizable finishes.

ACCESSORI E RICAMBI / ACCESSORIES AND SPARE PARTS


894

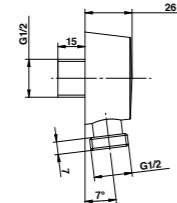
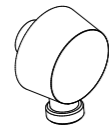
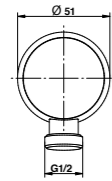
Presa acqua minimalista in ABS. ABS water supply elbow.

**ARTICOLO COMPLETO / COMPLETE ITEM**
894CR00
 CR

Non disponibile in altre finiture. / Not available in other finishes.

896/PR

Presa acqua. Water supply elbow.

**ARTICOLO COMPLETO / COMPLETE ITEM**
896CRPR
 CR

896NSPR
 NS/NE

896ORPR
 OR/TT/BM/HM/NM

896XXPR *
 XX

 * XX: Per tutte le altre finiture fattibili riferirsi a questa fascia di prezzo. /
 Refer to this line of price for all other realizable finishes.
**FINITURE E COLORI / FINISHES AND COLOURS****ACCESSORI E RICAMBI / ACCESSORIES AND SPARE PARTS**

SET DOCCIA BIDET E IDROSCOPINO SHATTAF AND HYDROBRUSHED TOILET SET



Art. 70944AS00 - Art. 70033AS00

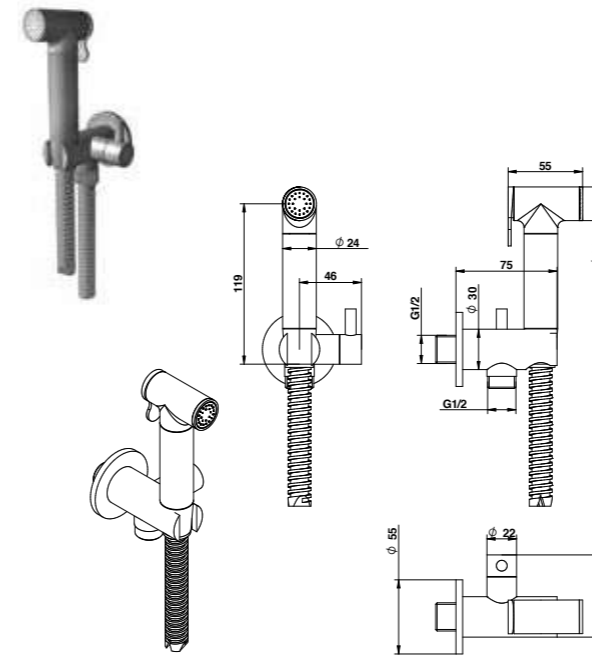
FINITURE E COLORI / FINISHES AND COLOURS



70904 TIME2020 - INOX 316

Set doccia bidet a muro per wc in acciaio spazzolato 316 con presa acqua e rubinetto apri-chiudi.

316 brushed stainless steel shattaf shower set for wc with water supply and open-close tap.



ARTICOLO COMPLETO / COMPLETE ITEM

70904AS00
AS

Non disponibile in altre finiture. / Not available in other finishes.

ABBINABILE A / TO MATCH WITH:

Miscelatori / Mixer - 70524
Miscelatore / Mixer - 71524
Miscelatore / Mixer - 73524
Miscelatore / Mixer - 69524

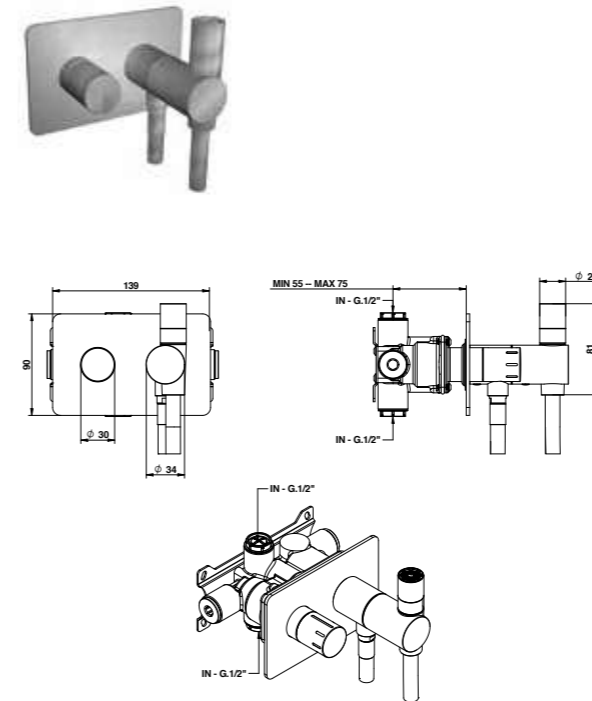
RICAMBI / SPARE PARTS

	70904VIDO		70904ASDO
	9612ASPV		

70944 TIME2020 - INOX 316

Termostatico incasso con doccia multifunzione wc e idroscopino in acciaio spazzolato 316.

316 stainless steel thermostatic mixer with multifunctional handshower for both shattaf and hydrobrushes.



ARTICOLO COMPLETO / COMPLETE ITEM

70944AS00
AS

Non disponibile in altre finiture. / Not available in other finishes.

Ideale per zone wellness. / Ideal for wellness areas.

RICAMBI / SPARE PARTS

	70944CA00		70944ASDO
--	-----------	--	-----------

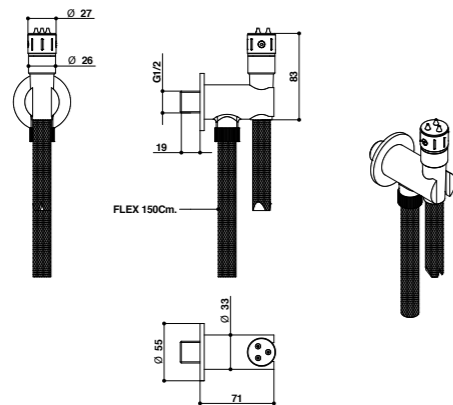
ACCESSORI E RICAMBI / ACCESSORIES AND SPARE PARTS



70904/ID TIME2020 - INOX 316

Set idroscopino a muro per wc in acciaio spazzolato 316 con presa acqua e doccia apri-chiudi.

316 brushed stainless steel hydrobrushes toilet set for wc with water supply and open-close handshower.



ARTICOLO COMPLETO / COMPLETE ITEM

70904ASID
AS

Non disponibile in altre finiture. / Not available in other finishes.

RICAMBI / SPARE PARTS

70904ASDI *

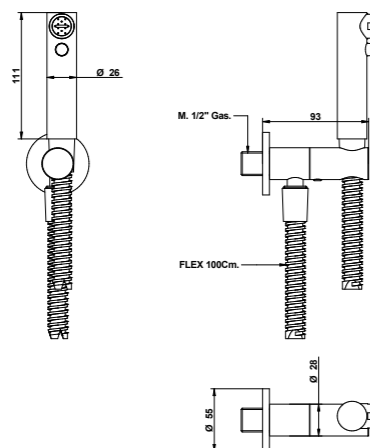
* Completo di flessibile / With flexible

904

Set doccia bidet a muro tondo per wc con presa acqua e rubinetto apri-chiudi.

Round bidet shower set for wc with water supply elbow and open-close tap.

Dettaglio flessibili / Flexible details pag. 42



ARTICOLO COMPLETO / COMPLETE ITEM

904CR00
CR

904NE00 *
NE/BI/NS/ON/BU

904AM00 *
AM/NM/OR/WM

904BM00 *
BM/FA/TT/OP/CN/CM/IM/HM

904XX00 □
XX

* Nelle varianti colore verniciate e satinare alcuni particolari saranno in finitura galvanica per garantire gli standard qualitativi. / To assure our quality standard on colored and satin product, some details remain in galvanic finishes.

□ XX: Per tutte le altre finiture fattibili riferirsi a questa fascia di prezzo. / Refer to this line of price for all other realizable finishes.

ABBINABILE A / TO MATCH WITH:
Miscelatore incasso / Built-in mixer - **524**

RICAMBI / SPARE PARTS

	9605CRPV		00904CRDO
	9605XXPV *		00904XXDO □
	904VI21 □		

* Per le finiture verniciate e satinare il flessibile verrà fornito in PVC nero. / The flexible hose will be supplied in black PVC for painted and matt finishes.

□ Ricambio per finiture diverse dal cromo. / Spare part for different finishes.

□ Da Settembre 2021 / From September 2021

FINITURE E COLORI / FINISHES AND COLOURS

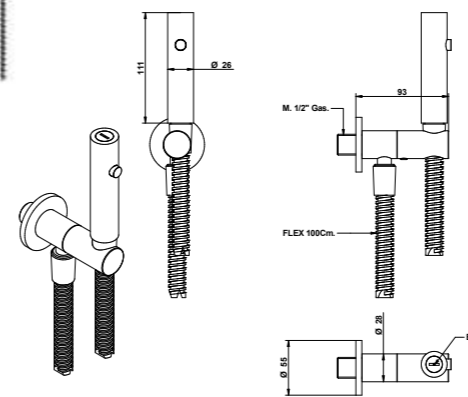


904/ID

Set idroscopino a muro tondo per wc con presa acqua e rubinetto apri-chiudi.

Round hydrobrushes toilet set for wc with water supply elbow and open-close tap.

Dettaglio flessibili / Flexible details pag. 42



ARTICOLO COMPLETO / COMPLETE ITEM

904CRID
CR

904NSID *
NS/NE/BI/ON/BU/RB

904AMID *
AM/NM/OR/WM

904BMID *
BM/FA/TT/OP/CN/CM/IM/HM

904XXID □
XX

* Nelle varianti colore verniciate e satinare alcuni particolari saranno in finitura galvanica per garantire gli standard qualitativi. / To assure our quality standard on colored and satin product, some details remain in galvanic finishes.

□ XX: Per tutte le altre finiture fattibili riferirsi a questa fascia di prezzo. / Refer to this line of price for all other realizable finishes.

RICAMBI / SPARE PARTS

	9605CRPV		00904CRDI
	9605XXPV *		00904XXDO □
	904VI21 □		

* Per le finiture verniciate e satinare il flessibile verrà fornito in PVC nero. / The flexible hose will be supplied in black PVC for painted and matt finishes.

□ Ricambio per finiture diverse dal cromo. / Spare part for different finishes.

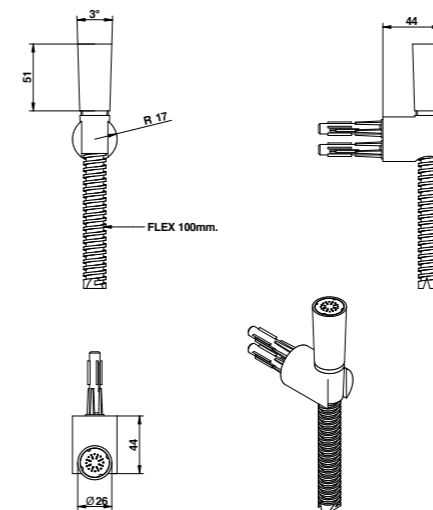
□ Da Settembre 2021 / From September 2021

900/R

Set doccia bidet a muro tondo

External toilet set.

Dettaglio flessibili / Flexible details pag. 42



ARTICOLO COMPLETO / COMPLETE ITEM

00900CR0R
CR

00900NS0R
NS

00900BM0R *
BM/OR/AM

00900XX0R □
XX

* Nelle varianti colore verniciate e satinare alcuni particolari saranno in finitura galvanica per garantire gli standard qualitativi. / To assure our quality standard on colored and satin product, some details remain in galvanic finishes.

□ XX: Per tutte le altre finiture fattibili riferirsi a questa fascia di prezzo. / Refer to this line of price for all other realizable finishes.

ABBINABILE A / TO MATCH WITH:
Miscelatore esterno / External mixer - **523**
Miscelatore incasso e presa acqua o miscelatore esterno / Built-in mixer and water supply - **524 + 899**

RICAMBI / SPARE PARTS

	09610CR		00900CRDO
	09605XXPV *		00900XXDO □

* Per le finiture verniciate e satinare il flessibile verrà fornito in PVC nero. / The flexible hose will be supplied in black PVC for painted and matt finishes.

□ Ricambio per finiture diverse dal cromo. / Spare part for different finishes.

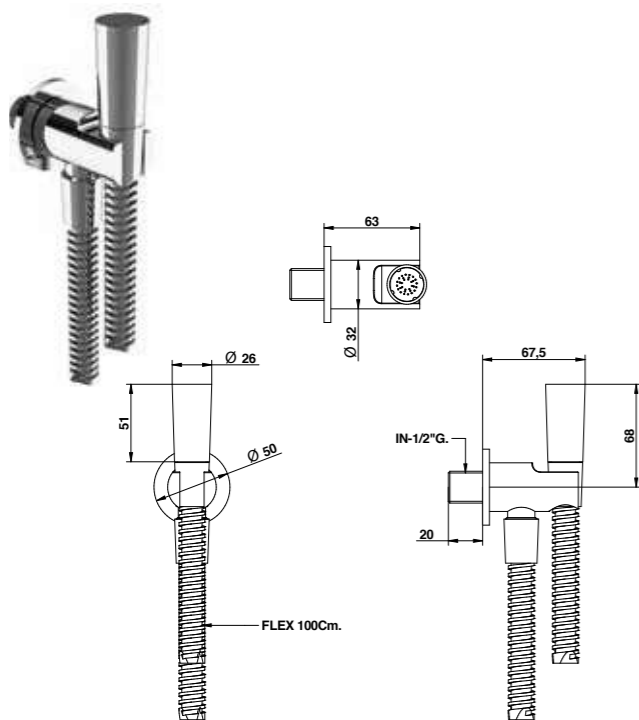
ACCESSORI E RICAMBI / ACCESSORIES AND SPARE PARTS



900 NEW

Set doccia bidet a muro tondo per wc con presa acqua. / Round shattaff set for wc with water supply elbow.

Dettaglio flessibili / Flexible details pag. 42


ARTICOLO COMPLETO / COMPLETE ITEM

00900CR00
CR

00900NS00
NS

00900BM00 *
BM/OR/AM

00900XX00 ◻
XX

* Nelle varianti colore verniciate e satinare alcuni particolari saranno in finitura galvanica per garantire gli standard qualitativi. / To assure our quality standard on colored and satin product, some details remain in galvanic finishes.

◻ XX: Per tutte le altre finiture fattibili riferirsi a questa fascia di prezzo. / Refer to this line of price for all other realizable finishes.

ABBINABILE A / TO MATCH WITH:
Miscelatore incasso / Built-in mixer - 524

RICAMBI / SPARE PARTS

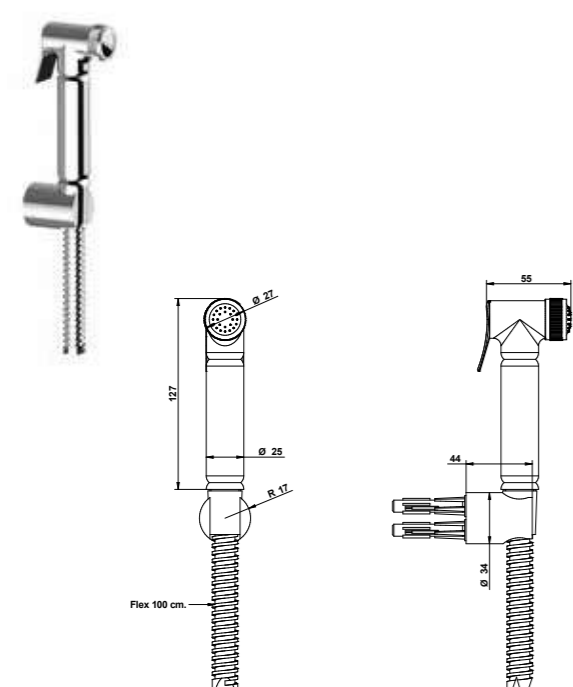
	9610CR		00900CR00
	9605XXPV *		00900XX0D ◻

* Per le finiture verniciate e satinare il flessibile verrà fornito in PVC nero. / The flexible hose will be supplied in black PVC for painted and matt finishes.
◻ Ricambio per finiture diverse dal cromo. / Spare part for different finishes.

902

Set doccia bidet a muro tondo per wc. / Round bidet shower set for wc.

Dettaglio flessibili / Flexible details pag. 42


ARTICOLO COMPLETO / COMPLETE ITEM

902CR00
CR

902NS00
NS

902BM00 *
BM/OR

902OP00
OP

902XX00 ◻
XX

* Nelle varianti colore verniciate e satinare alcuni particolari saranno in finitura galvanica per garantire gli standard qualitativi. / To assure our quality standard on colored and satin product, some details remain in galvanic finishes.

◻ XX: Per tutte le altre finiture fattibili riferirsi a questa fascia di prezzo. / Refer to this line of price for all other realizable finishes.

ABBINABILE A / TO MATCH WITH:
Miscelatore incasso e presa acqua / Built-in mixer and water supply - 524 + 898
Miscelatore esterno / External mixer - 523

RICAMBI / SPARE PARTS

	9610CR		00902CRD0
	9605XXPV *		00902XXD0 ◻

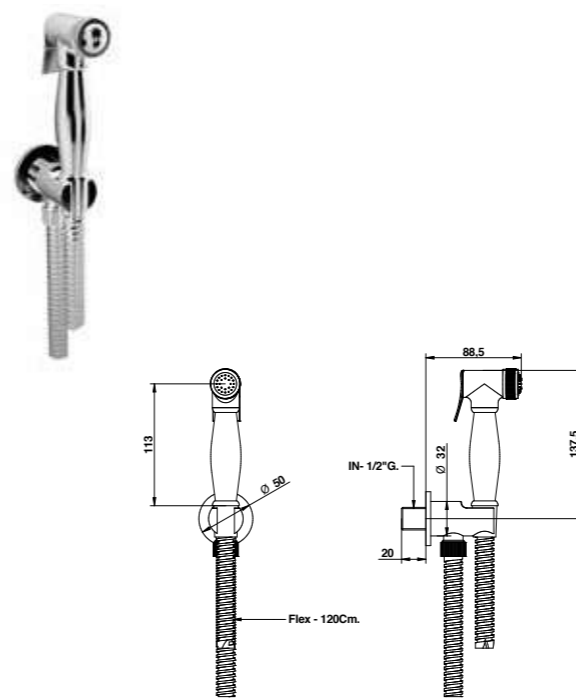
* Per le finiture verniciate e satinare il flessibile verrà fornito in PVC nero. / The flexible hose will be supplied in black PVC for painted and matt finishes.
◻ Ricambio per finiture diverse dal cromo. / Spare part for different finishes.

FINITURE E COLORI / FINISHES AND COLOURS

901/R

Set doccia bidet a muro tondo per wc con presa acqua. / Round shattaff set for wc with water supply elbow.

Dettaglio flessibili / Flexible details pag. 42


ARTICOLO COMPLETO / COMPLETE ITEM

00901CR0R
CR

00901NS0R
NS

00901BM0R *
BM/OR

00901XX0R ◻
XX

* Nelle varianti colore verniciate e satinare alcuni particolari saranno in finitura galvanica per garantire gli standard qualitativi. / To assure our quality standard on colored and satin product, some details remain in galvanic finishes.

◻ XX: Per tutte le altre finiture fattibili riferirsi a questa fascia di prezzo. / Refer to this line of price for all other realizable finishes.

Non disponibile in TT - BU - ON / Not available TT - BU - ON

ABBINABILE A / TO MATCH WITH:
Miscelatore incasso / Built-in mixer - 524

RICAMBI / SPARE PARTS

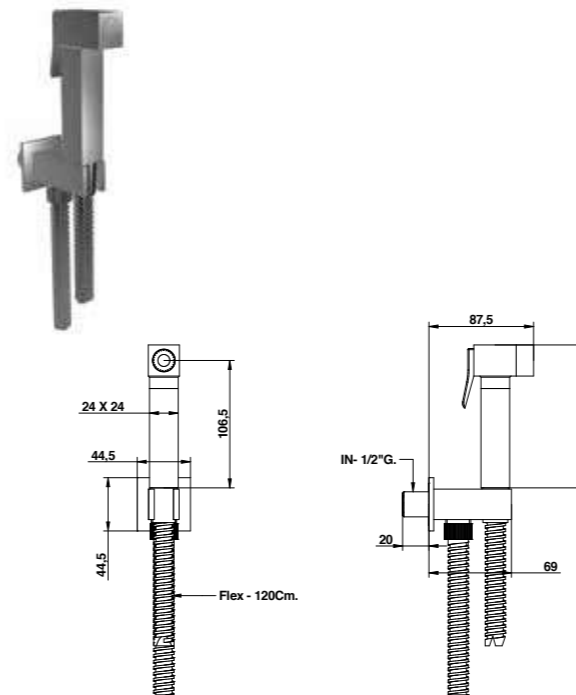
	9610CR		00902CRD0
	9605XXPV *		00902XXD0 ◻

* Per le finiture verniciate e satinare il flessibile verrà fornito in PVC nero. / The flexible hose will be supplied in black PVC for painted and matt finishes.
◻ Ricambio per finiture diverse dal cromo. / Spare part for different finishes.

901/Q NEW

Set doccia bidet a muro quadro per wc con presa acqua. / Square shattaff set for wc with water supply elbow.

Dettaglio flessibili / Flexible details pag. 42


ARTICOLO COMPLETO / COMPLETE ITEM

00901CR0Q
CR

00901NS0Q
NS

00901BM0Q *
BM/OR/AM

00901XX0Q ◻
XX

* Nelle varianti colore verniciate e satinare alcuni particolari saranno in finitura galvanica per garantire gli standard qualitativi. / To assure our quality standard on colored and satin product, some details remain in galvanic finishes.

◻ XX: Per tutte le altre finiture fattibili riferirsi a questa fascia di prezzo. / Refer to this line of price for all other realizable finishes.

Non disponibile in TT - BU - ON / Not available TT - BU - ON

ABBINABILE A / TO MATCH WITH:
Miscelatore incasso / Built-in mixer - 524

RICAMBI / SPARE PARTS

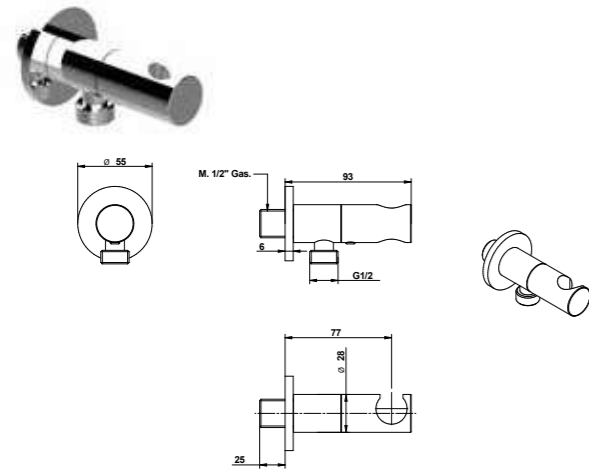
	9610CR		00910CRD0
	9605XXPV *		00910XXD0 ◻

* Per le finiture verniciate e satinare il flessibile verrà fornito in PVC nero. / The flexible hose will be supplied in black PVC for painted and matt finishes.
◻ Ricambio per finiture diverse dal cromo. / Spare part for different finishes.

ACCESSORI E RICAMBI / ACCESSORIES AND SPARE PARTS


915/N

Rubinetto a muro **apri-chiudi** con supporto per kit doccia wc. / Wall tap open-close with support for toilet cleaning shower kit.



ARTICOLO COMPLETO / COMPLETE ITEM

915CRON
CR
915NSON
NS/RB/NE/BI/ON/BU
915ORON
OR
915XXON *
XX

* XX: Per tutte le altre finiture fattibili riferirsi a questa fascia di prezzo. / Refer to this line of price for all other realizable finishes.

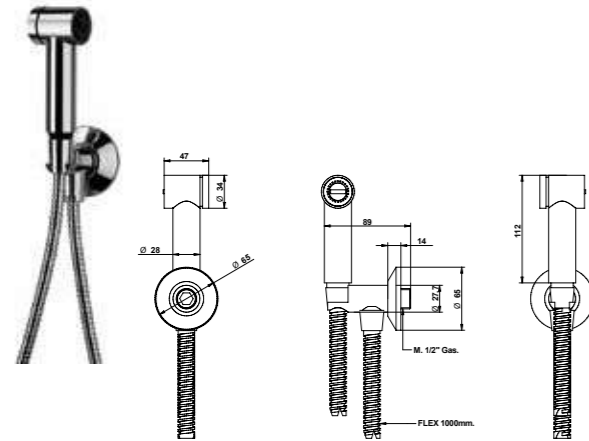
RICAMBI / SPARE PARTS

904VI21 *

* Da Settembre 2021 / From September 2021

903/PR

Set doccia bidet a muro tondo, in abs, con presa d'acqua per wc dotato di valvola di sicurezza. / Abs round shower set for wc, with water supply and safety valve.



ARTICOLO COMPLETO / COMPLETE ITEM

903CRPR
CR
903NSPR
NS/PL
903ORPR
OR
903OPPR
OP/CN

Non disponibile in altre finiture. / Not available in other finishes.

ABBINABILE A / TO MATCH WITH:
Miscelatore incasso / Built-in mixer - **524**

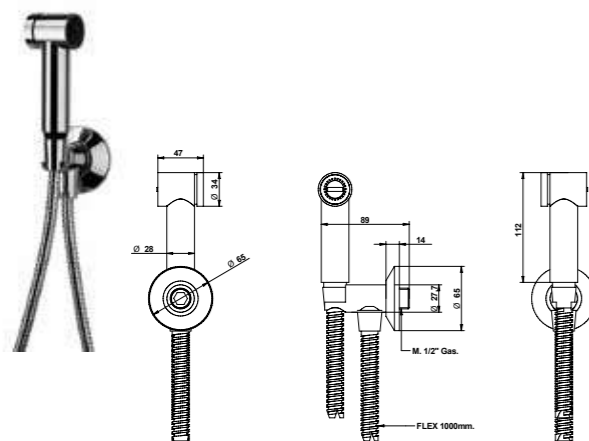
RICAMBI / SPARE PARTS

	9609CR		00903CRDO
	9609XX00 *		00903XXDO *

* Ricambio per finiture diverse dal cromo. / Spare part for different finishes.

903/IDPR

Set idroscopico a muro tondo per wc con presa acqua e valvola di sicurezza. / Round hydrobrushes toilet set for wc with water supply elbow and safety valve.



ARTICOLO COMPLETO / COMPLETE ITEM

903CRIDPR
CR
903NSIDPR
NS/PL
903ORIDPR
OR
903OPIDPR
OP/CN

Non disponibile in altre finiture. / Not available in other finishes.

RICAMBI / SPARE PARTS

	9609CR		00903CRDI
	9609XX00 *		00903XXD *

* Ricambio per finiture diverse dal cromo. / Spare part for different finishes.

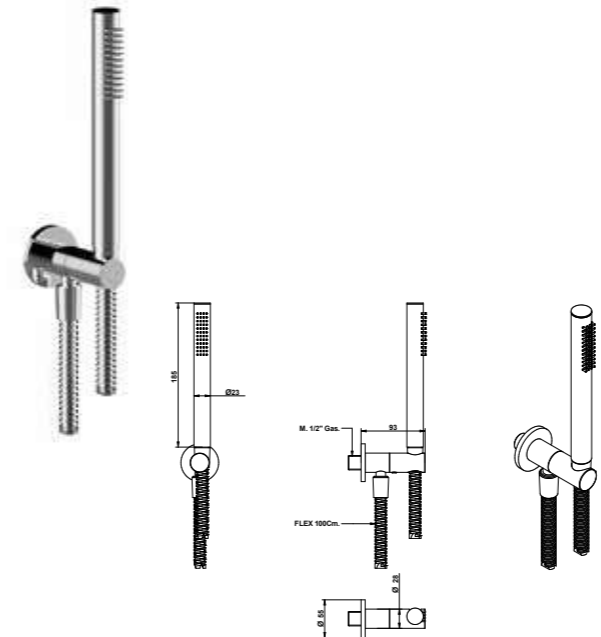
FINITURE E COLORI / FINISHES AND COLOURS



931

Set duplex con erogazione in ottone, con presa acqua a muro, con **open-close tap**, abs single function handshower and pvc flexible hose. / Shower set with water supply and wall open-close tap, abs single function handshower and pvc flexible hose.

Dettaglio flessibili / Flexible details pag. 42



ARTICOLO COMPLETO / COMPLETE ITEM

931CR00
CR
931NS00
NS/NE/BI/RB/ON/BU
931OR00
OR
931XX00 *
XX

* XX: Per tutte le altre finiture fattibili riferirsi a questa fascia di prezzo. / Refer to this line of price for all other realizable finishes.

ABBINABILE A / TO MATCH WITH:
Miscelatore termostatico incasso / Built-in thermostatic mixer - **32542/04**
Termostatico incasso / Built-in thermostatic - **40554**

RICAMBI / SPARE PARTS

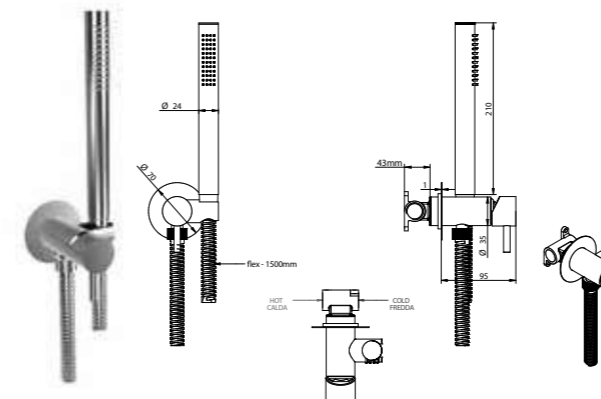
	09605CR		00850CR0E
	9605XXPV *		00850XX00 ◻

* Per le finiture verniciate e satinare il flessibile verrà fornito in PVC nero. / The flexible hose will be supplied in black PVC for painted and matt finishes.
◻ Ricambio per finiture diverse dal cromo. / Spare part for different finishes.

32915 MISCELATORE INTEGRATO / INTEGRATED MIXER

Set doccia ad incasso con miscelatore tradizionale integrato ad uso doccia, vasca e bidet completo di doccetta. / Duplex shower set with integrated traditional mixer for shower/bathtub and bidet.

Dettaglio flessibili / Flexible details pag. 42



ARTICOLO COMPLETO / COMPLETE ITEM

32915CR00
CR

PARTE INCASSO BUILT-IN PART **PARTE ESTERNA DA ABBINARE EXTERNAL MATCHING PART**

09490/CT

FINITURE / FINISHES

32915CREU
CR
32915BIEU
BI/NE
32915ONEU
ON/BU/NS/BM/CM/IM
32915CNEU
CN/FA
32915OPEU
OP/TT/AM/NM/OM/HM
32915XXEU *
XX

* XX: Per tutte le altre finiture fattibili riferirsi a questa fascia di prezzo. / Refer to this line of price for all other realizable finishes.

Nelle varianti colore verniciate e satinare alcuni particolari saranno in finitura galvanica per garantire gli standard qualitativi. / To assure our quality standard on colored and satin product, some details remain in galvanic finishes.

RICAMBI / SPARE PARTS

	9820/32		9610CR
	00850CR00		9600XXPV *
	00850XX00 ◻		

* Per le finiture verniciate e satinare il flessibile verrà fornito in PVC nero. / The flexible hose will be supplied in black PVC for painted and matt finishes.
◻ Ricambio per finiture diverse dal cromo. / Spare part for different finishes.

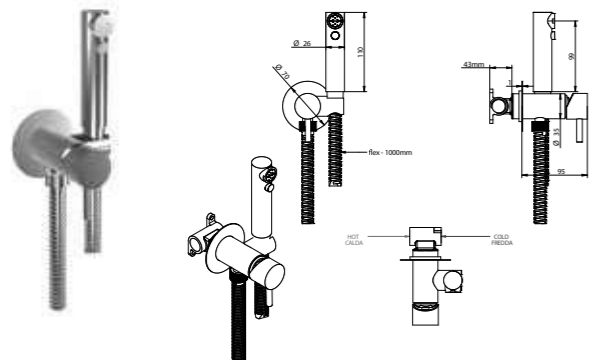
ACCESSORI E RICAMBI / ACCESSORIES AND SPARE PARTS



32916 MISCELATORE INTEGRATO / INTEGRATED MIXER

Set doccia bidet per wc ad incasso Shattaf shower set for wc with con miscelatore tradizionale integrato integrated traditional mixer e doccetta. and handshower.

Dettaglio flessibili / Flexible details pag. 42


RICAMBI / SPARE PARTS

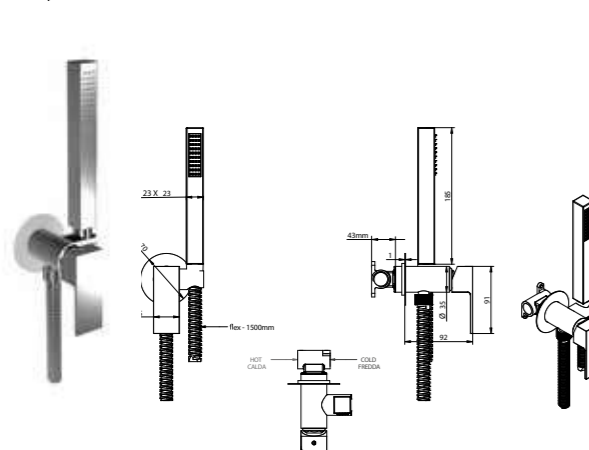
	9820/32		9610CR
	00904CRDO		9605XXPV *
	00904XXDO □		

*Per le finiture verniciate e satinare il flessibile verrà fornito in PVC nero. / The flexible hose will be supplied in black PVC for painted and matt finishes.
 □ Ricambio per finiture diverse dal cromo. / Spare part for different finishes.

67915 MISCELATORE INTEGRATO / INTEGRATED MIXER

Set doccia ad incasso con miscelatore tradizionale integrato ad uso doccia, vasca e bidet completo di doccetta.

Duplex shower set with integrated traditional mixer for shower/bathtub and bidet.



Non disponibile in BU - TT - BM - ON / Not available BU - TT - BM - ON

RICAMBI / SPARE PARTS

	9820/32		09611CR
	00854CROE		00854XX00 *
	9600XXPV □		

*Ricambio per finiture diverse dal cromo. / Spare part for different finishes.
 □ Per le finiture verniciate e satinare il flessibile verrà fornito in PVC nero. / The flexible hose will be supplied in black PVC for painted and matt finishes.

FINITURE E COLORI / FINISHES AND COLOURS

ARTICOLO COMPLETO / COMPLETE ITEM

32916CR00
CR

PARTE INCASSO BUILT-IN PART PARTE ESTERNA DA ABBINARE EXTERNAL MATCHING PART

09490/CT

FINITURE / FINISHES

32916CREU
CR

32916NSEU *
NS/BM/CM/IM/
BU/ON/BI/NE

32916CNEU *
CN/FA

32916TTEU *
TT/AM/NM/OM/
HM

32916XXEU □
XX

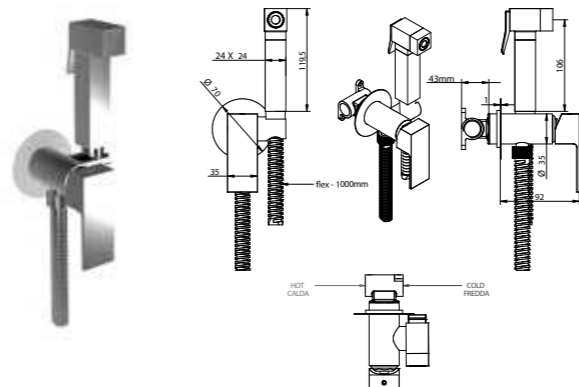
* Nelle varianti colore verniciate e satinare alcuni particolari saranno in finitura galvanica per garantire gli standard qualitativi. / To assure our quality standard on colored and satin product, some details remain in galvanic finishes.
 □ XX: Per tutte le altre finiture fattibili riferirsi a questa fascia di prezzo. / Refer to this line of price for all other realizable finishes.

Nelle varianti colore verniciate e satinare alcuni particolari saranno in finitura galvanica per garantire gli standard qualitativi. / To assure our quality standard on colored and satin product, some details remain in galvanic finishes.

67916 NEW

Set doccia bidet per wc ad incasso con miscelatore tradizionale integrato e doccetta.

Shattaf shower set for wc with traditional mixer integrated and handshower.


RICAMBI / SPARE PARTS

	9820/32		9610CR
	00910CRDO		9605XXPV *
	00910XXDO □		

*Per le finiture verniciate e satinare il flessibile verrà fornito in PVC nero. / The flexible hose will be supplied in black PVC for painted and matt finishes.
 □ Ricambio per finiture diverse dal cromo. / Spare part for different finishes.

ARTICOLO COMPLETO / COMPLETE ITEM

67916CR00
CR

PARTE INCASSO BUILT-IN PART PARTE ESTERNA DA ABBINARE EXTERNAL MATCHING PART

09490/CT

FINITURE / FINISHES

67916CREU
CR

67916BIEU *
BI/NE

67916NSEU
NS

67916FAEU *
FA

67916CMEU *
CM/IM/CN

67916AMEU *
AM/NM/OM/HM

67916XXEU □
XX

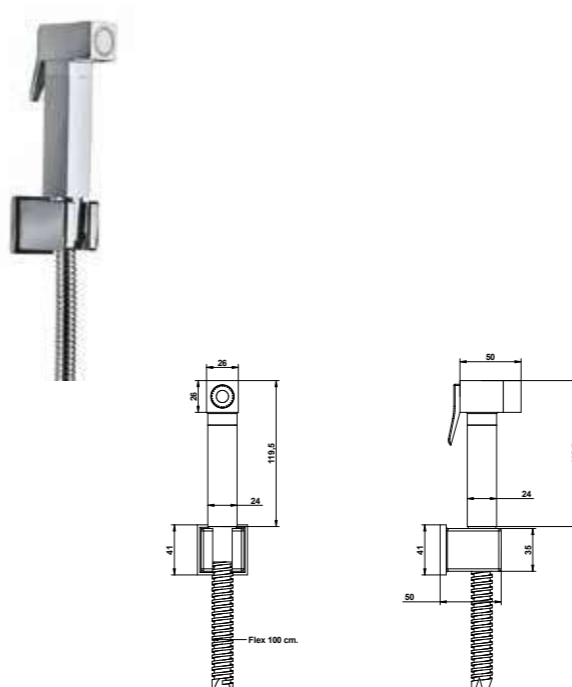
* Nelle varianti colore verniciate e satinare alcuni particolari saranno in finitura galvanica per garantire gli standard qualitativi. / To assure our quality standard on colored and satin product, some details remain in galvanic finishes.
 □ XX: Per tutte le altre finiture fattibili riferirsi a questa fascia di prezzo. / Refer to this line of price for all other realizable finishes.

Non disponibile in BU - TT - BM - ON / Not available BU - TT - BM - ON

910

Set doccia bidet a muro quadro per wc. Square bidet shower set for wc.

Dettaglio flessibili / Flexible details pag. 42


ARTICOLO COMPLETO / COMPLETE ITEM

910CR00
CR

910NS00 *
NS/NE/BI/PL/RB

910CN00
CN/OR

910XX00 □
XX

* Nelle varianti colore verniciate e satinare alcuni particolari saranno in finitura galvanica per garantire gli standard qualitativi. / To assure our quality standard on colored and satin product, some details remain in galvanic finishes.
 □ XX: Per tutte le altre finiture fattibili riferirsi a questa fascia di prezzo. / Refer to this line of price for all other realizable finishes.

Non disponibile in ON - BU - TT - BM / Not available ON - BU - TT - BM

ABBINABILE A / TO MATCH WITH:
 Miscelatore incasso e presa acqua / Built-in mixer and water supply - 524 + 897
 Miscelatore esterno / External mixer - 523

RICAMBI / SPARE PARTS

	9610CR		00910CRDO
	9605XXPV *		00910XXDO □

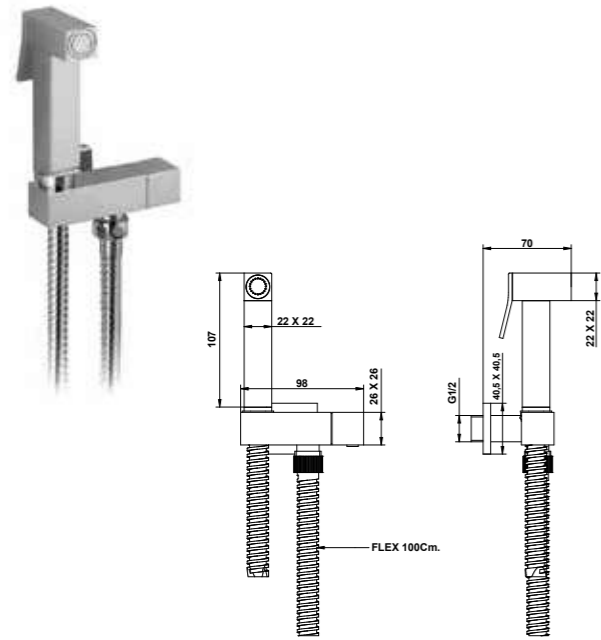
*Per le finiture verniciate e satinare il flessibile verrà fornito in PVC nero. / The flexible hose will be supplied in black PVC for painted and matt finishes.
 □ Ricambio per finiture diverse dal cromo. / Spare part for different finishes.

ACCESSORI E RICAMBI / ACCESSORIES AND SPARE PARTS


914

Set doccia bidet a muro quadro per wc con presa acqua e valvola di sicurezza. / Shattaff square shower set for wc with water supply and safety valve.

Dettaglio flessibili / Flexible details pag. 42



ARTICOLO COMPLETO / COMPLETE ITEM

914CR00
 CR

914NS00 *
 NS/NE/BI/RB/PL

914OR00
 OR/CN

914XX00 ◻
 XX

* Nelle varianti colore verniciate e satinare alcuni particolari saranno in finitura galvanica per garantire gli standard qualitativi. / To assure our quality standard on colored and satin product, some details remain in galvanic finishes.

◻ XX: Per tutte le altre finiture fattibili riferirsi a questa fascia di prezzo. / Refer to this line of price for all other realizable finishes.

Non disponibile in ON - BU - TT - BM / Not available ON - BU - TT - BM

ABBINABILE A / TO MATCH WITH:
 Miscelatore incasso / Built-in mixer - 524

RICAMBI / SPARE PARTS

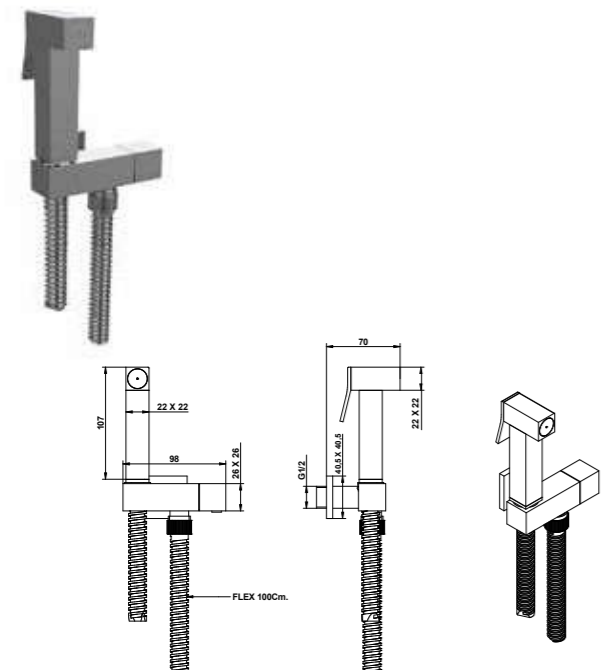
	9610CR		00910CRDO
	9605XXPV *		00910XXDO ◻
	00914VI00		

* Per le finiture verniciate e satinare il flessibile verrà fornito in PVC nero. / The flexible hose will be supplied in black PVC for painted and matt finishes.
 ◻ Ricambio per finiture diverse dal cromo. / Spare part for different finishes.

914/ID

Set idroscopino a muro quadro per wc con presa acqua e valvola di sicurezza. / Square hydrobrushes toilet set for wc with water supply elbow and safety valve.

Dettaglio flessibili / Flexible details pag. 42



ARTICOLO COMPLETO / COMPLETE ITEM

914CRID
 CR

914NSID *
 NS/NE/BI/RB/PL

914ORID
 OR/CN

914XXID ◻
 XX

* Nelle varianti colore verniciate e satinare alcuni particolari saranno in finitura galvanica per garantire gli standard qualitativi. / To assure our quality standard on colored and satin product, some details remain in galvanic finishes.

◻ XX: Per tutte le altre finiture fattibili riferirsi a questa fascia di prezzo. / Refer to this line of price for all other realizable finishes.

Non disponibile in ON - BU - TT - BM / Not available ON - BU - TT - BM

RICAMBI / SPARE PARTS

	9610CR		00910CRDI
	9605XXPV *		00910XXD ◻
	00914VI00		

* Per le finiture verniciate e satinare il flessibile verrà fornito in PVC nero. / The flexible hose will be supplied in black PVC for painted and matt finishes.
 ◻ Ricambio per finiture diverse dal cromo. / Spare part for different finishes.

FINITURE E COLORI / FINISHES AND COLOURS



Art. 44033WM - Art. 82524PLWM - Art. 900PL0R - Art. 899PL00 - Art. 82522PLWM - Art. 82001PLWM

ACCESSORI E RICAMBI / ACCESSORIES AND SPARE PARTS



MISCELATORI, DEVIATORI E PROGETTI DOCCIA

MIXER, DIVERTER AND SHOWER PROJECT



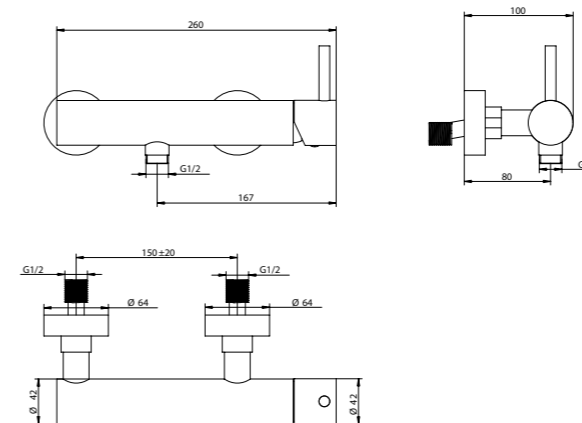
Art. 32542CR04 - Art. 00834CR0EPR - Art. 00888CRC5

FINITURE E COLORI / FINISHES AND COLOURS



68523/PR

Miscelatore doccia esterno. External shower mixer.



ARTICOLO COMPLETO / COMPLETE ITEM

68523CRPR
CR

68523BIPR
BI/NE

68523NSPR
NS/BU/BM/ON/CM/IM

68523CNPR
CN/FA

68523TTPR
TT/AM/NM/HM/OM

68523XXPR *
XX

* XX: Per tutte le altre finiture fattibili riferirsi a questa fascia di prezzo. / Refer to this line of price for all other realizable finishes.

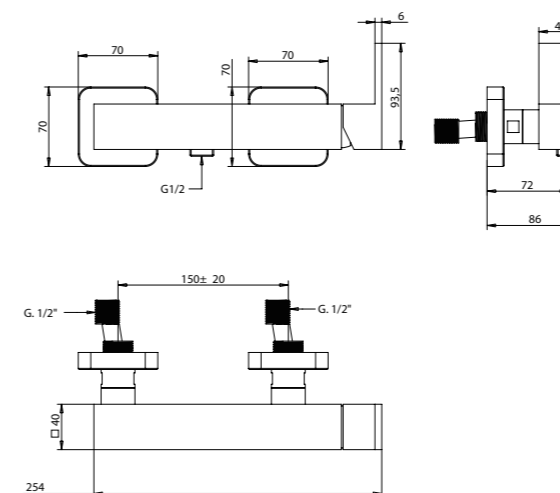
ABBINABILE A / TO MATCH WITH:
Saliscendi / Sliding rail - 870

RICAMBI / SPARE PARTS

9838

67523/PR

Miscelatore doccia esterno. External shower mixer.



ARTICOLO COMPLETO / COMPLETE ITEM

67523CRPR
CR

67523NEPR
NE/BI

67523NSPR
NS

67523FAPR
FA

67523CMPR
CM/IM/CN

67523AMPR
AM/NM/OM/HM

67523XXPR *
XX

* XX: Per tutte le altre finiture fattibili riferirsi a questa fascia di prezzo. / Refer to this line of price for all other realizable finishes.

Non disponibile in BU - TT - BM - ON / Not available BU - TT - BM - ON

ABBINABILE A / TO MATCH WITH:
Saliscendi / Sliding rail - 874

RICAMBI / SPARE PARTS

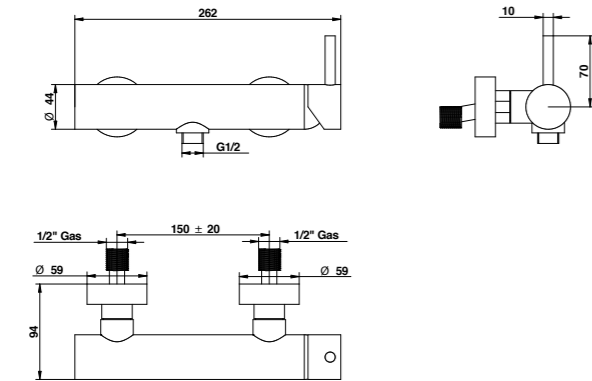
9838

ACCESSORI E RICAMBI / ACCESSORIES AND SPARE PARTS



32552/0EPR

Miscelatore doccia esterno. External shower mixer.



ARTICOLO COMPLETO / COMPLETE ITEM

32552CR0EPR
CR

Non disponibile in altre finiture. / Not available in other finishes.

ABBINABILE A / TO MATCH WITH:
Saliscendi / Sliding rail - **870**

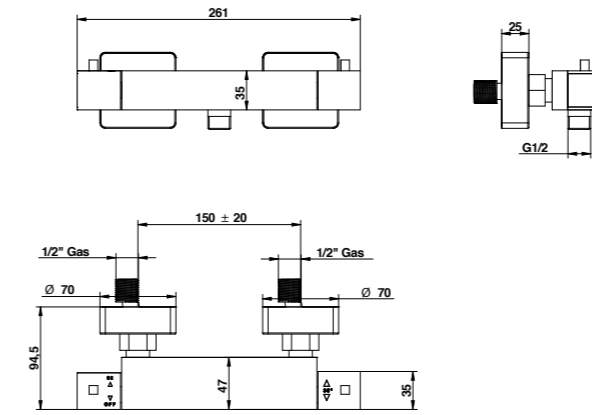
RICAMBI / SPARE PARTS



9865

43543/PR

Miscelatore termostatico doccia esterno. Thermostatic external shower mixer.



ARTICOLO COMPLETO / COMPLETE ITEM

43543CRPR
CR

Non disponibile in altre finiture. / Not available in other finishes.

ABBINABILE A / TO MATCH WITH:
Saliscendi / Sliding rail - **870**

RICAMBI / SPARE PARTS



9866 *

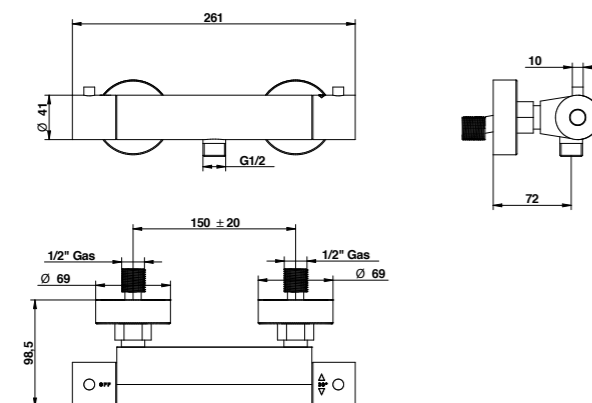


9867 □

* Cartuccia miscelatrice / Mixer cartridge
□ Cartuccia di apertura-chiusura e deviazione / Diverter and open-close cartridge

32553/PR

Miscelatore termostatico doccia esterno. Thermostatic external shower mixer.



ARTICOLO COMPLETO / COMPLETE ITEM

32553CRPR
CR

Non disponibile in altre finiture. / Not available in other finishes.

ABBINABILE A / TO MATCH WITH:
Saliscendi / Sliding rail - **870**

RICAMBI / SPARE PARTS



9868 *

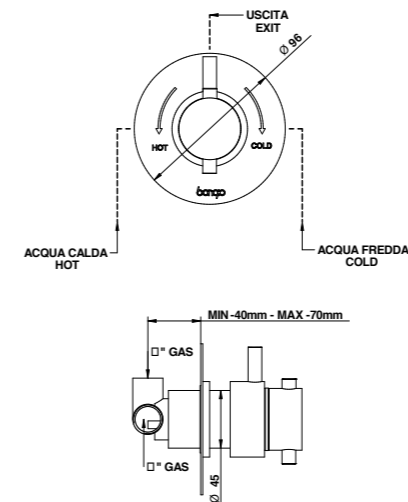


9867 □

* Cartuccia miscelatrice / Mixer cartridge
□ Cartuccia di apertura-chiusura e deviazione / Diverter and open-close cartridge

68544/PR

Termostatico coassiale incasso. Coaxial thermostatic built-in mixer.



ARTICOLO COMPLETO / COMPLETE ITEM

68544CRPR
CR

68544BIPR *
BI/NE

68544NSPR
NS/BU/BM/ON/CM/IM

68544CNPR *
CN/FA

68544TTPR *
TT/AM/NM/HM/OM

68544XXPR □
XX

* Nelle varianti colore verniciate alcuni particolari saranno in finitura galvanica per garantire gli standard qualitativi. / To assure our quality standard on colored product, some details remain in galvanic finishes.
□ XX: Per tutte le altre finiture fattibili riferirsi a questa fascia di prezzo. / Refer to this line of price for all other realizable finishes.

Portata a pressione dinamica 3 bar - 20,5 l/min - 38° Mix / Flow rates at dynamic pressure 3 bar - 20,5 l/min - 38° Mix

Il corpo incasso non può essere anticipato. / Built-in body cannot be delivered separately in advance.

PROLUNGA / MIXER EXTENSION



00107CRPR

OPTIONAL: Scatola incasso per cartongesso / Built-in box for drywall and cavity wall **09702PBOX**

RICAMBI / SPARE PARTS



9811

FINITURE E COLORI / FINISHES AND COLOURS



ACCESSORI E RICAMBI / ACCESSORIES AND SPARE PARTS



68569/PR

Termostaico incasso coassiale con deviatore meccanico a due uscite.

Coaxial built-in thermostatic mixer with 2 exits mechanical diverter.



ARTICOLO COMPLETO / COMPLETE ITEM

68569CRPR
CR

PARTE INCASSO
BUILT-IN PART

PARTE ESTERNA DA ABBINARE
EXTERNAL MATCHING PART

09766

FINITURE / FINISHES

68569CRPREU
CR

68569BIPREU *
BI/NE

68569NSPREU *
NS/BU/BM/ON/
CM/IM

68569CNPREU *
CN/FA

68569TTPREU *
TT/AM/NM/HM/
OM

68569XXPREU ☐
XX

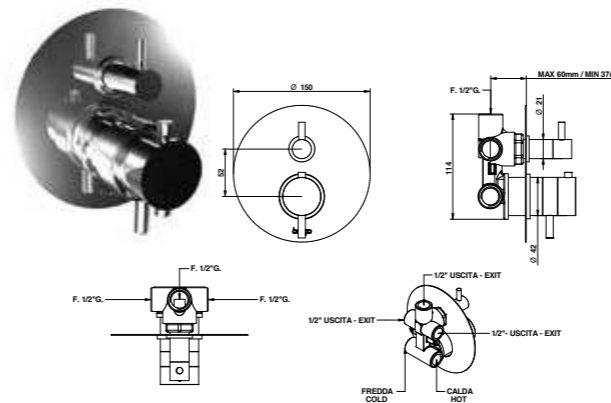
* Nelle varianti colore verniciate alcuni particolari saranno in finitura galvanica per garantire gli standard qualitativi. / To assure our quality standard on colored product, some details remain in galvanic finishes.
☐ XX: Per tutte le altre finiture fattibili riferirsi a questa fascia di prezzo. / Refer to this line of price for all other realizable finishes.

Disponibile con deviatore automatico 68549/PR. Pressione dinamica minima di utilizzo 0,5 bar. Portata a pressione dinamica 3 bar - 17 l/min. / Available with automatic diverter 68549/PR. Minimum dynamic pressure of use 0,5 bar. Flow rates at dynamic pressure 3 bar - 17 l/min.

68569/3PR

Miscelatore termostatico incasso coassiale con deviatore meccanico a 3 uscite.

Coaxial built-in thermostatic mixer with 3 exits mechanical diverter.



ARTICOLO COMPLETO / COMPLETE ITEM

68569CR03PR
CR

PARTE INCASSO
BUILT-IN PART

PARTE ESTERNA DA ABBINARE
EXTERNAL MATCHING PART

09766/3

FINITURE / FINISHES

68569CR03PREU
CR

68569BI03PREU *
BI/NE

68569NS03PREU *
NS/BU/BM/ON/
CM/IM

68569CN03PREU *
CN/FA

68569TT03PREU *
TT/AM/NM/HM/
OM

68569XX03PREU ☐
XX

* Nelle varianti colore verniciate alcuni particolari saranno in finitura galvanica per garantire gli standard qualitativi. / To assure our quality standard on colored product, some details remain in galvanic finishes.
☐ XX: Per tutte le altre finiture fattibili riferirsi a questa fascia di prezzo. / Refer to this line of price for all other realizable finishes.

Pressione dinamica minima di utilizzo 0,5 bar. Portata a pressione dinamica 3 bar - 17 l/min / Minimum dynamic pressure of use 0,5 bar. Flow rates at dynamic pressure 3 bar - 17 l/min.

PROLUNGA / MIXER EXTENSION

00102CRPRP3

OPTIONAL: Scatola incasso per cartongesso / Built-in box for drywall and cavity wall **09702PBOX**

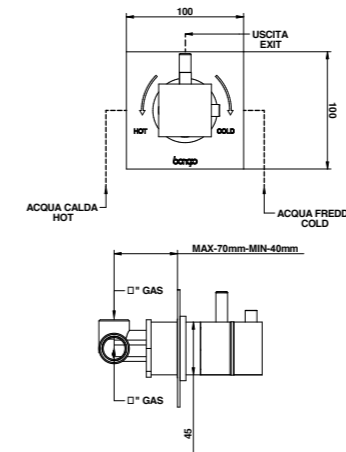
RICAMBI / SPARE PARTS

9250 **09860**

67544/PR

Termostatico coassiale incasso.

Coaxial thermostatic built-in mixer.



ARTICOLO COMPLETO / COMPLETE ITEM

67544CRPR
CR

67544BIPR *
BI/NE

67544NSPR
NS

67544CMPR *
CM/IM/CN

67544AMPR *
AM/NM/OM/HM

67544XXPR ☐
XX

* Nelle varianti colore verniciate alcuni particolari saranno in finitura galvanica per garantire gli standard qualitativi. / To assure our quality standard on colored product, some details remain in galvanic finishes.
☐ XX: Per tutte le altre finiture fattibili riferirsi a questa fascia di prezzo. / Refer to this line of price for all other realizable finishes.

Portata a pressione dinamica 3 bar - 20,5 l/min - 38° Mix. / Flow rates at dynamic pressure 3 bar - 20,5 l/min - 38° Mix.

Non disponibile in BU - TT - BM - ON / Not available BU - TT - BM - ON

Il corpo incasso non può essere anticipato. / Built-in body cannot be delivered separately in advance.

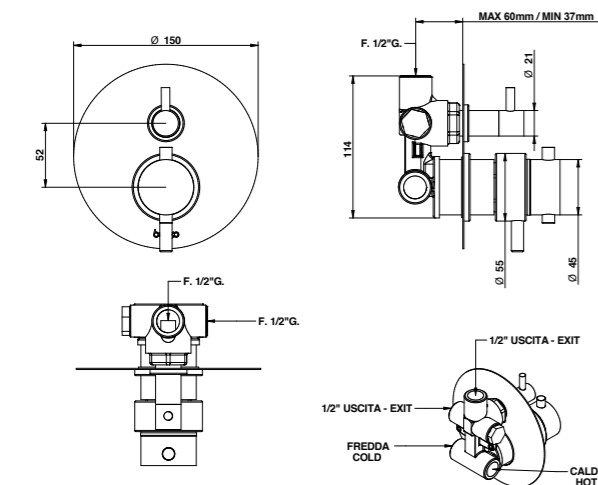
RICAMBI / SPARE PARTS

9811

PROLUNGA / MIXER EXTENSION

00107CRPR

OPTIONAL: Scatola incasso per cartongesso / Built-in box for drywall and cavity wall **09702PBOX**



PROLUNGA / MIXER EXTENSION

00102CRPRP3

OPTIONAL: Scatola incasso per cartongesso / Built-in box for drywall and cavity wall **09702PBOX**

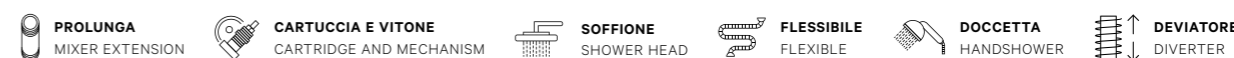
RICAMBI / SPARE PARTS

9250 **09861**

FINITURE E COLORI / FINISHES AND COLOURS

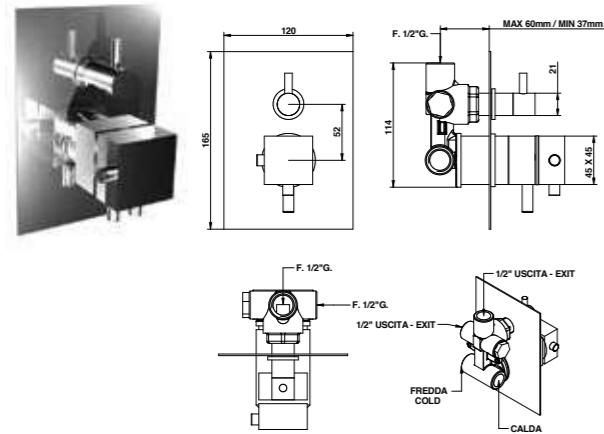
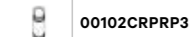


ACCESSORI E RICAMBI / ACCESSORIES AND SPARE PARTS



67569/PR

Termostatico incasso coassiale con deviatore meccanico a 2 uscite. / Coaxial built-in thermostatic mixer with 2 way mechanical diverter.

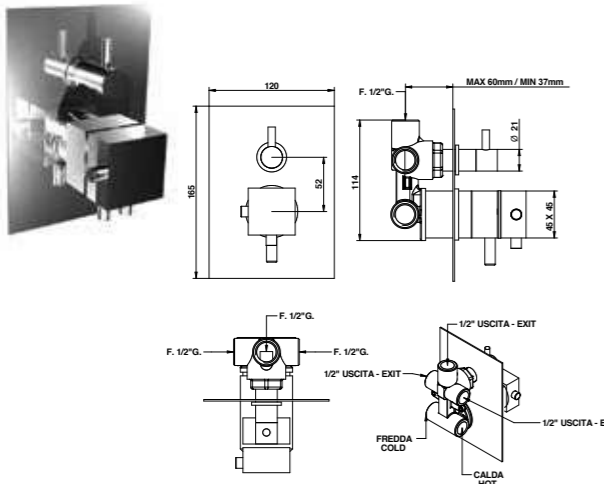

PROLUNGA / MIXER EXTENSION

00102CRPRP3

OPTIONAL: Scatola incasso per cartongesso / Built-in box for drywall and cavity wall **09702PBOX**

RICAMBI / SPARE PARTS

67569/3PR

Miscelatore termostatico incasso coassiale con deviatore meccanico a 3 uscite. / Coaxial built-in thermostatic mixer with 3 way mechanical diverter.



OPTIONAL: Scatola incasso per cartongesso / Built-in box for drywall and cavity wall **09702PBOX**

RICAMBI / SPARE PARTS

FINITURE E COLORI / FINISHES AND COLOURS

ARTICOLO COMPLETO / COMPLETE ITEM
67569CRPR
 CR

PARTE INCASSO BUILT-IN PART	PARTE ESTERNA DA ABBINARE EXTERNAL MATCHING PART
09766	FINITURE / FINISHES 67569CRPREU CR 67569BIPREU * BI/NE 67569NSPREU NS 67569CMPREU * CM/IM/CN 67569AMPREU * AM/NM/OM/HM 67569XXPREU □ XX

* Nelle varianti colore verniciate alcuni particolari saranno in finitura galvanica per garantire gli standard qualitativi. / To assure our quality standard on colored product, some details remain in galvanic finishes.
 □ XX: Per tutte le altre finiture fattibili riferirsi a questa fascia di prezzo. / Refer to this line of price for all other realizable finishes.

Portata a pressione dinamica 3 bar - 17 l/min - 38° Mix / Flow rates at dynamic pressure 3 bar - 17 l/min - 38° Mix

Non disponibile in BU - TT - BM - ON / Non disponibile in BU - TT - BM - ON

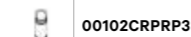
ARTICOLO COMPLETO / COMPLETE ITEM
67569CR03PR
 CR

PARTE INCASSO BUILT-IN PART	PARTE ESTERNA DA ABBINARE EXTERNAL MATCHING PART
09766/03	FINITURE / FINISHES 67569CR03PREU CR 67569BI03PREU * BI/NE 67569NS03PREU NS 67569CM03PREU * CM/IM/CN 67569AM03PREU * AM/NM/OM/HM 67569XX03PREU □ XX

* Nelle varianti colore verniciate alcuni particolari saranno in finitura galvanica per garantire gli standard qualitativi. / To assure our quality standard on colored product, some details remain in galvanic finishes.
 □ XX: Per tutte le altre finiture fattibili riferirsi a questa fascia di prezzo. / Refer to this line of price for all other realizable finishes.

Portata a pressione dinamica 3 bar - 17 l/min - 38° Mix / Flow rates at dynamic pressure 3 bar - 17 l/min - 38° Mix

Non disponibile in BU - TT - BM - ON / Not available BU - TT - BM - ON

PROLUNGA / MIXER EXTENSION

00102CRPRP3
32542/2

Miscelatore termostatico incasso con 2 rubinetti di apertura/chiusura su piastra unica (2 uscite). Montaggio disponibile sia in verticale che orizzontale. / Built-in thermostatic mixer with 2 open/close taps on single plate (2 way). Available mounting both vertically and horizontally.

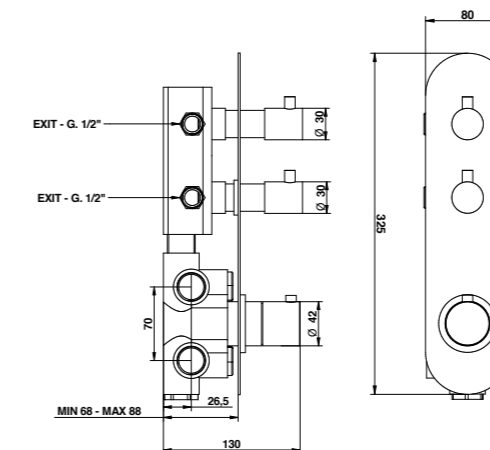

ARTICOLO COMPLETO / COMPLETE ITEM
32542CR02
 CR

PARTE INCASSO BUILT-IN PART	PARTE ESTERNA DA ABBINARE EXTERNAL MATCHING PART
09730/02	FINITURE / FINISHES 32542CR02EU CR 32542NE02EU * NE/NS/BI 32542CN02EU * CN/AM/NM/OR/HM/OM/CM/IM 32542OP02EU * OP/FA 32542XX02EU □ XX

* Nelle varianti colore verniciate e satinare alcuni particolari saranno in finitura galvanica per garantire gli standard qualitativi. / To assure our quality standard on colored and satin product, some details remain in galvanic finishes.
 □ XX: Per tutte le altre finiture fattibili riferirsi a questa fascia di prezzo. / Refer to this line of price for all other realizable combinations of finishing.

Non disponibile in BU - TT - BM - ON / Not available BU - TT - BM - ON

Portata a pressione dinamica: 3 bar - 23 l/min. / Flow rates at dynamic pressure: 3 bar - 23 l/min.


PROLUNGA / MIXER EXTENSION

00112CRPR02
RICAMBI / SPARE PARTS

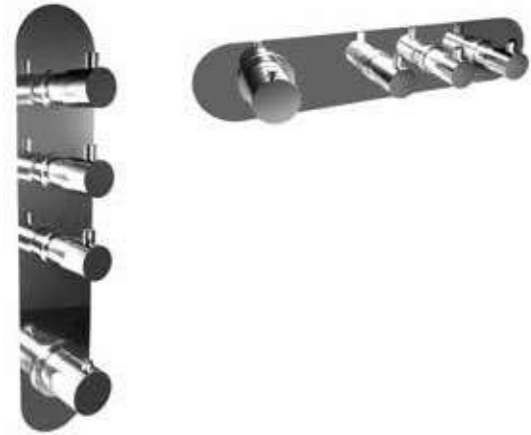

* Cartuccia miscelatrice / Mixer cartridge
 □ Vitone di apertura-chiusura / Open-close cartridge

ACCESSORI E RICAMBI / ACCESSORIES AND SPARE PARTS


32542/3

Miscelatore termostatico incasso con 3 rubinetti di apertura/chiusura su piastra unica (3 uscite).
Montaggio disponibile sia in verticale che orizzontale.

Built-in thermostatic mixer with 3 open/close taps on single plate (3 way). **Available mounting both vertically and horizontally.**


ARTICOLO COMPLETO / COMPLETE ITEM
32542CR03
 CR

PARTE INCASSO BUILT-IN PART	PARTE ESTERNA DA ABBINARE EXTERNAL MATCHING PART
--------------------------------	---

09730/03

FINITURE / FINISHES
32542CR03EU
 CR

32542NE03EU *
 NE/NS/BI

32542CN03EU *
 CN/AM/NM/OR/
 HM/OM/CM/IM

32542OP03EU *
 OP/FA

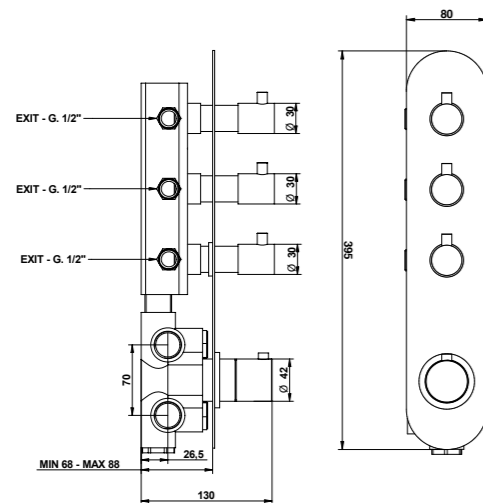
32542XX03EU □
 XX

* Nelle varianti colore verniciate e satinare alcuni particolari saranno in finitura galvanica per garantire gli standard qualitativi. / To assure our quality standard on colored and satin product, some details remain in galvanic finishes.

□ XX: Per tutte le altre finiture fattibili riferirsi a questa fascia di prezzo. / Refer to this line of price for all other realizable finishes.

Non disponibile in BU - TT - BM - ON / Not available BU - TT - BM - ON

Portata a pressione dinamica: 3 bar - 23 l/min. / Flow rates at dynamic pressure: 3 bar - 23 l/min.


PROLUNGA / MIXER EXTENSION
00112CRPR03
RICAMBI / SPARE PARTS
9845 *
9794 □

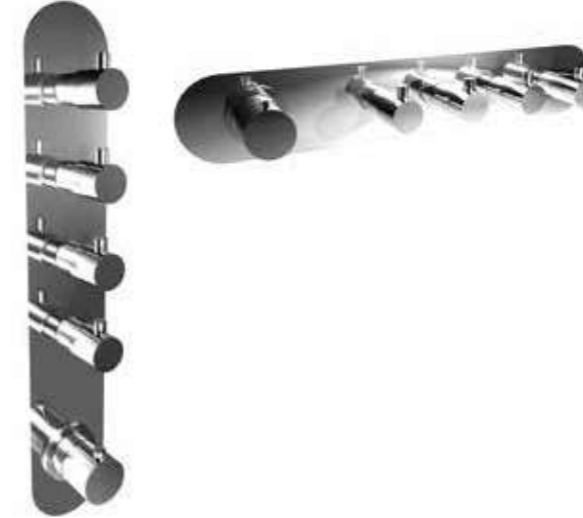
* Cartuccia miscelatrice / Mixer cartridge
 □ Vitone di apertura-chiusura / Open-close cartridge

FINITURE E COLORI / FINISHES AND COLOURS

32542/4

Miscelatore termostatico incasso con 4 rubinetti di apertura/chiusura su piastra unica (4 uscite).
Montaggio disponibile sia in verticale che orizzontale.

Built-in thermostatic mixer with 4 open/close taps on single plate (4 way). **Available mounting both vertically and horizontally.**


ARTICOLO COMPLETO / COMPLETE ITEM
32542CR04
 CR

PARTE INCASSO BUILT-IN PART	PARTE ESTERNA DA ABBINARE EXTERNAL MATCHING PART
--------------------------------	---

09730/04

FINITURE / FINISHES
32542CR04EU
 CR

32542NE04EU *
 NE/NS/BI

32542CN04EU *
 CN/AM/NM/OR/
 HM/OM/CM/IM

32542OP04EU *
 OP/FA

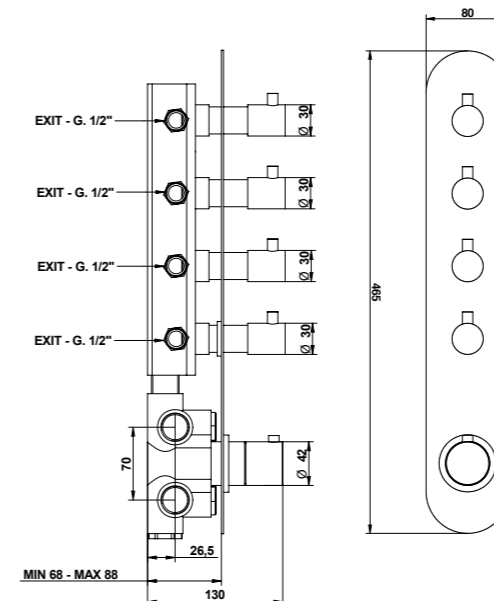
32542XX04EU □
 XX

* Nelle varianti colore verniciate e satinare alcuni particolari saranno in finitura galvanica per garantire gli standard qualitativi. / To assure our quality standard on colored and satin product, some details remain in galvanic finishes.

□ XX: Per tutte le altre finiture fattibili riferirsi a questa fascia di prezzo. / Refer to this line of price for all other realizable finishes.

Non disponibile in BU - TT - BM - ON / Not available BU - TT - BM - ON

Portata a pressione dinamica: 3 bar - 23 l/min. / Flow rates at dynamic pressure: 3 bar - 23 l/min.


PROLUNGA / MIXER EXTENSION
00112CRPR04
RICAMBI / SPARE PARTS
09845 *
9794 □

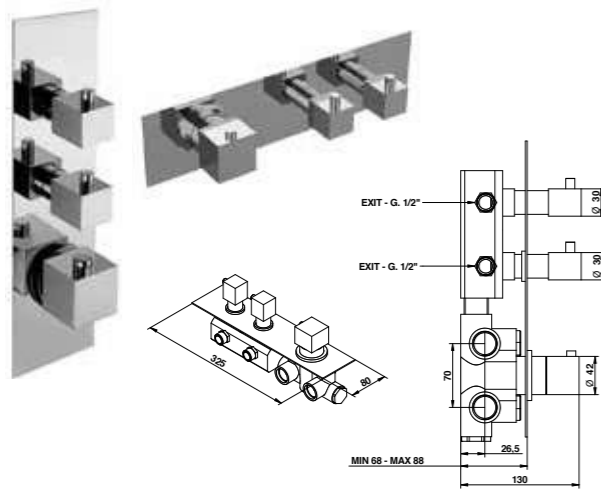
* Cartuccia miscelatrice / Mixer cartridge
 □ Vitone di apertura-chiusura / Open-close cartridge

ACCESSORI E RICAMBI / ACCESSORIES AND SPARE PARTS


43542/2

Miscelatore termostatico incasso con 2 rubinetti di apertura/chiusura su piastra unica (2 uscite).
Montaggio disponibile sia in verticale che orizzontale.

Built-in thermostatic mixer with 2 open/close taps on single plate (2 way). Available mounting both vertically and horizontally.



ARTICOLO COMPLETO / COMPLETE ITEM

43542CR02
CR

PARTE INCASSO BUILT-IN PART	PARTE ESTERNA DA ABBINARE EXTERNAL MATCHING PART
--------------------------------	---

FINITURE / FINISHES

09730/02

43542CR02EU
CR

43542NE02EU *
NE/NS

43542AM02EU *
AM/OR/CN/NM

43542XX02EU □
XX

* Nelle varianti colore verniciate e satinare alcuni particolari saranno in finitura galvanica per garantire gli standard qualitativi. / To assure our quality standard on colored product, some details remain in chrome.
□ XX: Per tutte le altre finiture fattibili riferirsi a questa fascia di prezzo. / Refer to this line of price for all other realizable finishes.

Portata a pressione dinamica 3 bar - 23 l/min. / Flow rates at dynamic pressure 3 bar - 23 l/min

Non disponibile in BU - TT - BM - ON / Not available BU - TT - BM - ON

RICAMBI / SPARE PARTS

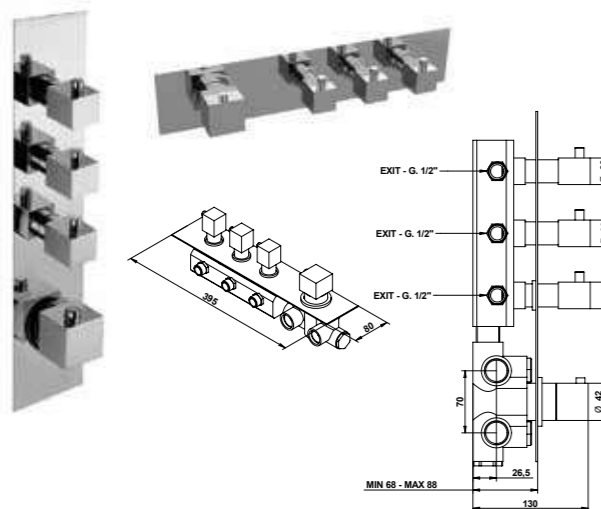


* Cartuccia miscelatrice / Mixer cartridge
□ Vitone di apertura-chiusura / Open-close cartridge

43542/3

Miscelatore termostatico incasso con 3 rubinetti di apertura/chiusura su piastra unica (3 uscite).
Montaggio disponibile sia in verticale che orizzontale.

Built-in thermostatic mixer with 3 open/close taps on single plate (3 way). Available mounting both vertically and horizontally.



ARTICOLO COMPLETO / COMPLETE ITEM

43542CR03
CR

PARTE INCASSO BUILT-IN PART	PARTE ESTERNA DA ABBINARE EXTERNAL MATCHING PART
--------------------------------	---

FINITURE / FINISHES

09730/03

43542CR03EU
CR

43542NE03EU *
NE/NS

43542AM03EU *
AM/CN/OR/NM

43542XX03EU □
XX

* Nelle varianti colore verniciate e satinare alcuni particolari saranno in finitura galvanica per garantire gli standard qualitativi. / To assure our quality standard on colored product, some details remain in chrome.
□ XX: Per tutte le altre finiture fattibili riferirsi a questa fascia di prezzo. / Refer to this line of price for all other realizable finishes.

Portata a pressione dinamica 3 bar - 23 l/min. / Flow rates at dynamic pressure 3 bar - 23 l/min.

Non disponibile in BU - TT - BM - ON / Not available BU - TT - BM - ON

PROLUNGA / MIXER EXTENSION



RICAMBI / SPARE PARTS

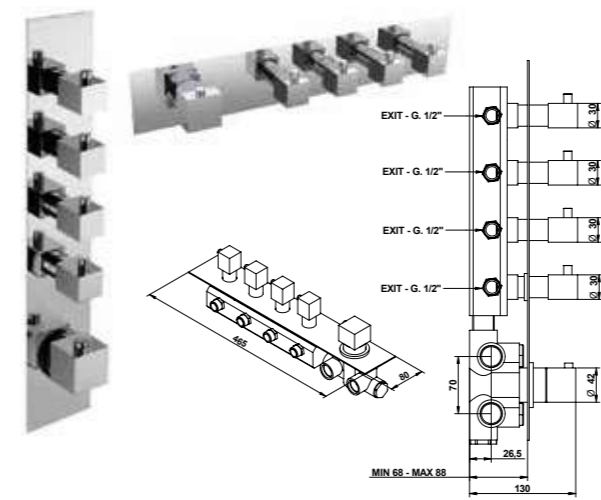


* Cartuccia miscelatrice / Mixer cartridge
□ Vitone di apertura-chiusura / Open-close cartridge

43542/4

Miscelatore termostatico incasso con 4 rubinetti di apertura/chiusura su piastra unica (4 uscite).
Montaggio disponibile sia in verticale che orizzontale.

Built-in thermostatic mixer with 4 open/close taps on single plate (4 way). Available mounting both vertically and horizontally.



ARTICOLO COMPLETO / COMPLETE ITEM

43542CR04
CR

PARTE INCASSO BUILT-IN PART	PARTE ESTERNA DA ABBINARE EXTERNAL MATCHING PART
--------------------------------	---

FINITURE / FINISHES

09730/04

43542CR04EU
CR

43542NE04EU *
NE/NS

43542AM04EU *
AM/CN/NM/OR

43542XX04EU □
XX

* Nelle varianti colore verniciate e satinare alcuni particolari saranno in finitura galvanica per garantire gli standard qualitativi. / To assure our quality standard on colored product, some details remain in chrome.
□ XX: Per tutte le altre finiture fattibili riferirsi a questa fascia di prezzo. / Refer to this line of price for all other realizable finishes.

Portata a pressione dinamica 3 bar - 23 l/min. / Flow rates at dynamic pressure 3 bar - 23 l/min.

Non disponibile in BU - TT - BM - ON / Not available BU - TT - BM - ON

RICAMBI / SPARE PARTS



* Cartuccia miscelatrice / Mixer cartridge
□ Vitone di apertura-chiusura / Open-close cartridge

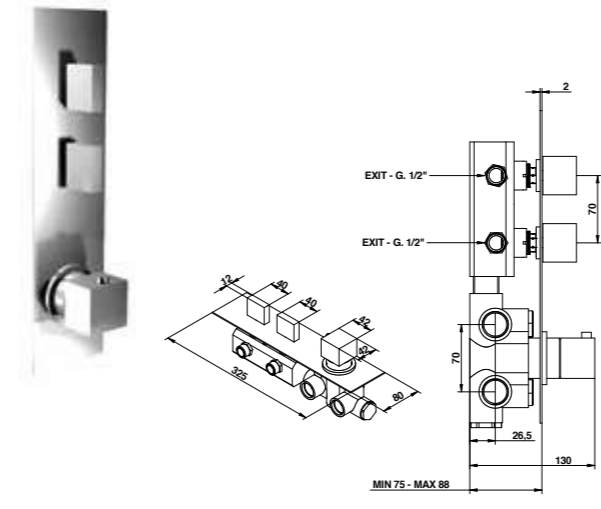
PROLUNGA / MIXER EXTENSION



43542/02DA

Miscelatore termostatico incasso con 2 rubinetti di apertura/chiusura su piastra unica (2 uscite).
Montaggio disponibile sia in verticale che orizzontale.

Built-in thermostatic mixer with 2 open/close taps on single plate (2 way). Available mounting both vertically and horizontally.



ARTICOLO COMPLETO / COMPLETE ITEM

43542CR02DA
CR

PARTE INCASSO BUILT-IN PART	PARTE ESTERNA DA ABBINARE EXTERNAL MATCHING PART
--------------------------------	---

FINITURE / FINISHES

09730/02DA

43542CR02DAEU
CR

43542NS02DAEU *
NS/NE

43542OR02DAEU *
OR/AM/OM/HM/
NM

43542XX02DAEU □
XX

* Nelle varianti colore verniciate e satinare alcuni particolari saranno in finitura galvanica per garantire gli standard qualitativi. / To assure our quality standard on colored and satin product, some details remain in galvanic finishes.
□ XX: Per tutte le altre finiture fattibili riferirsi a questa fascia di prezzo. / Refer to this line of price for all other realizable finishes.

Non disponibile in BU - TT - BM - ON / Not available BU - TT - BM - ON

Portata a pressione dinamica: 3 bar - 23 l/min. / Flow rates at dynamic pressure: 3 bar - 23 l/min.

RICAMBI / SPARE PARTS



* Cartuccia miscelatrice / Mixer cartridge
□ Vitone di apertura-chiusura / Open-close cartridge

PROLUNGA / MIXER EXTENSION



FINITURE E COLORI / FINISHES AND COLOURS



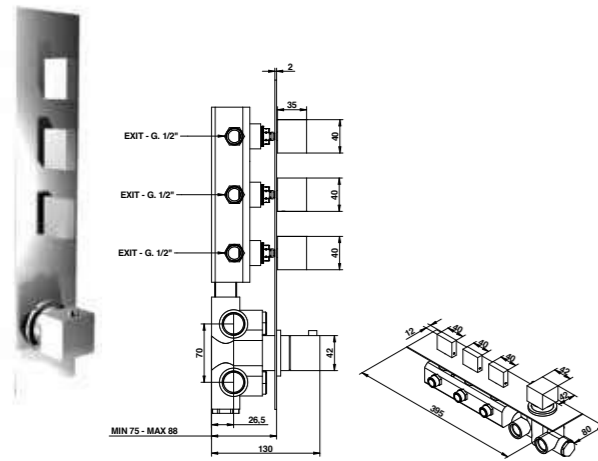
ACCESSORI E RICAMBI / ACCESSORIES AND SPARE PARTS



43542/03DA

Miscelatore termostatico incasso con 3 rubinetti di apertura/chiusura su piastra unica (3 uscite).
Montaggio disponibile sia in verticale che orizzontale.

Built-in thermostatic mixer with 3 open/close taps on single plate (3 ways). Available mounting both vertically and horizontally.



RICAMBI / SPARE PARTS

09845 *	9794/DQ ◻
---------	-----------

*Cartuccia miscelatrice / Mixer cartridge
◻ Vitone di apertura-chiusura / Open-close cartridge

ARTICOLO COMPLETO / COMPLETE ITEM

43542CR03DA
CR

PARTE INCASSO BUILT-IN PART	PARTE ESTERNA DA ABBINARE EXTERNAL MATCHING PART
--------------------------------	---

FINITURE / FINISHES

09730/03DA

43542CR03DAEU
CR

43542NS03DAEU *
NS/NE

43542OR03DAEU *
OR/AM/HM/OM/
NM

43542XX03DAEU ◻
XX

* Nelle varianti colore verniciate e satinati alcuni particolari saranno in finitura galvanica per garantire gli standard qualitativi. / To assure our quality standard on colored and satin product, some details remain in galvanic finishes.
◻ XX: Per tutte le altre finiture fattibili riferirsi a questa fascia di prezzo. / Refer to this line of price for all other realizable finishes.

Non disponibile in BU - TT - BM - ON / Not available BU - TT - BM - ON

Portata a pressione dinamica: 3 bar - 23 l/min. / Flow rates at dynamic pressure: 3 bar - 23 l/min.

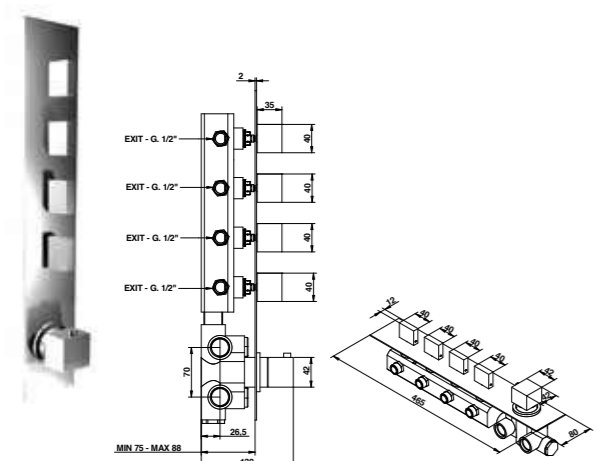
PROLUNGA / MIXER EXTENSION

00112CR03DAPR

43542/04DA

Miscelatore termostatico incasso con 4 rubinetti di apertura/chiusura su piastra unica (4 uscite).
Montaggio disponibile sia in verticale che orizzontale.

Built-in thermostatic mixer with 4 open/close taps on single plate (4 ways). Available mounting both vertically and horizontally.



RICAMBI / SPARE PARTS

09845 *	9794/DQ ◻
---------	-----------

*Cartuccia miscelatrice / Mixer cartridge
◻ Vitone di apertura-chiusura / Open-close cartridge

ARTICOLO COMPLETO / COMPLETE ITEM

43542CR04DA
CR

PARTE INCASSO BUILT-IN PART	PARTE ESTERNA DA ABBINARE EXTERNAL MATCHING PART
--------------------------------	---

FINITURE / FINISHES

09730/04DA

43542CR04DAEU
CR

43542NS04DAEU *
NS/NE

43542OR04DAEU *
OR/AM/HM/OM/
NM

43542XX04DAEU ◻
XX

* Nelle varianti colore verniciate e satinati alcuni particolari saranno in finitura galvanica per garantire gli standard qualitativi. / To assure our quality standard on colored and satin product, some details remain in galvanic finishes.
◻ XX: Per tutte le altre finiture fattibili riferirsi a questa fascia di prezzo. / Refer to this line of price for all other realizable finishes.

Non disponibile in BU - TT - BM - ON / Not available BU - TT - BM - ON

Portata a pressione dinamica: 3 bar - 23 l/min. / Flow rates at dynamic pressure: 3 bar - 23 l/min.

PROLUNGA / MIXER EXTENSION

00112CR04DAPR

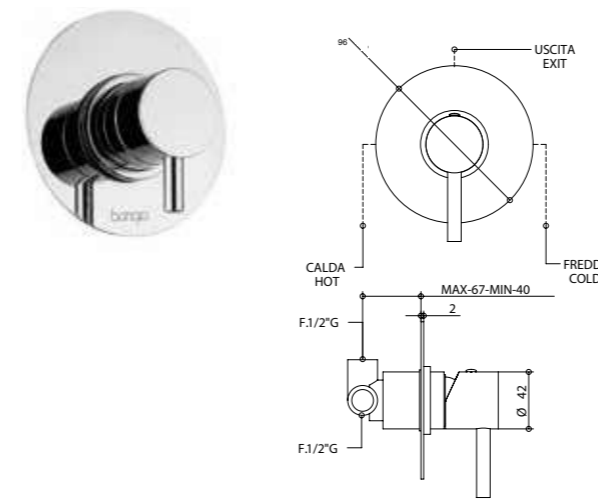
FINITURE E COLORI / FINISHES AND COLOURS



68524/PR

Miscelatore incasso.

Built in mixer.



OPTIONAL: Scatola incasso per cartongesso / Built-in box for drywall and cavity wall **09702PBOX**

RICAMBI / SPARE PARTS

9813

ARTICOLO COMPLETO / COMPLETE ITEM

68524CRPR
CR

PARTE INCASSO BUILT-IN PART	PARTE ESTERNA DA ABBINARE EXTERNAL MATCHING PART
--------------------------------	---

FINITURE / FINISHES

09761

68524CRPREU
CR

68524BIPREU *
BI/NE

68524NSPREU *
NS/BU/BM/ON/
CM/IM

68524CNPREU *
CN/FA

68524TTPREU *
TT/AM/NM/HM/
OM

68524XXPREU ◻
XX

* Nelle varianti colore verniciate alcuni particolari saranno in finitura galvanica per garantire gli standard qualitativi. / To assure our quality standard on colored product, some details remain in galvanic finishes.
◻ XX: Per tutte le altre finiture fattibili riferirsi a questa fascia di prezzo. / Refer to this line of price for all other realizable finishes.

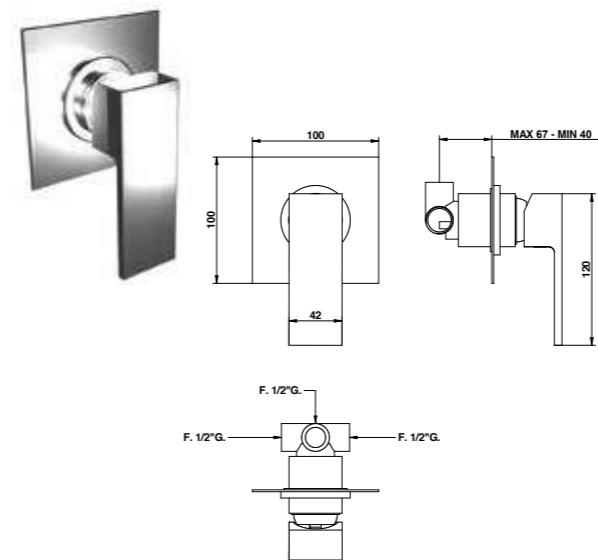
PROLUNGA / MIXER EXTENSION

00100CRPRR

67524/PR

Miscelatore incasso.

Built in mixer.



OPTIONAL: Scatola incasso per cartongesso / Built-in box for drywall and cavity wall **09702PBOX**

RICAMBI / SPARE PARTS

9813

ARTICOLO COMPLETO / COMPLETE ITEM

67524CRPR
CR

PARTE INCASSO BUILT-IN PART	PARTE ESTERNA DA ABBINARE EXTERNAL MATCHING PART
--------------------------------	---

FINITURE / FINISHES

09761

67524CRPREU
CR

67524BIPREU *
BI/NE

67524NSPREU
NS

67524FAPREU *
FA

67524CMPREU *
CM/IM/CN

67524AMPREU *
AM/NM/OM/HM

67524XXPREU ◻
XX

* Nelle varianti colore verniciate alcuni particolari saranno in finitura galvanica per garantire gli standard qualitativi. / To assure our quality standard on colored product, some details remain in galvanic finishes.
◻ XX: Per tutte le altre finiture fattibili riferirsi a questa fascia di prezzo. / Refer to this line of price for all other realizable finishes.

Non disponibile in BU - ON - TT - BM / Not available BU - ON - TT - BM

PROLUNGA / MIXER EXTENSION

00100CRPRR

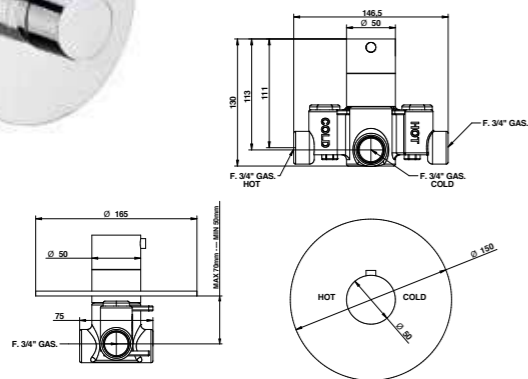
ACCESSORI E RICAMBI / ACCESSORIES AND SPARE PARTS



40554/R

Termostatico incasso da 3/4" senza chiusura.

3/4" built-in thermostatic shower mixer **without lock**.



RICAMBI / SPARE PARTS

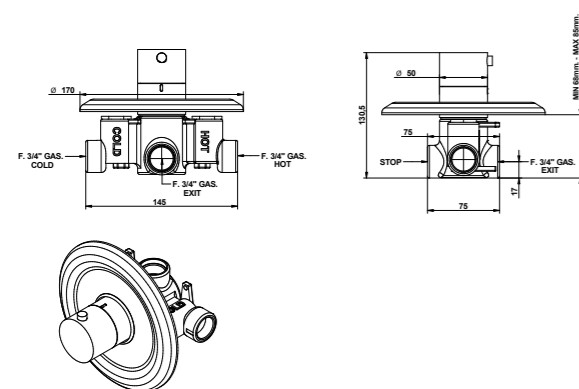


9837

15554

Termostatico incasso da 3/4" senza chiusura.

3/4" built-in thermostatic shower mixer **without lock**.



FINITURE E COLORI / FINISHES AND COLOURS



ARTICOLO COMPLETO / COMPLETE ITEM

40554CRCR0R
CRCR

PARTE INCASSO
BUILT-IN PART

PARTE ESTERNA DA ABBINARE
EXTERNAL MATCHING PART

FINITURE / FINISHES

09700

40554CRCR0REU
CRCR

40554BIBIOREU *
BIBI/NENE/NSNS/BUBU/
ONON

40554AMAMOREU *
AMAM/OROR/NMNM/HMNM/
OMOM/BMBM/CMCM/IMIM

40554OPOP0REU *
OPOP/TTTT/FAFA

40554XXX0REU *
XXXX

* Nelle varianti colore verniciate e satinare alcuni particolari saranno in finitura galvanica per garantire gli standard qualitativi. / To assure our quality standard on colored and satin product, some details remain in galvanic finishes.

XX: Per tutte le altre finiture fattibili riferirsi a questa fascia di prezzo. / Refer to this line of price for all other realizable finishes.

ABBINABILE A / TO MATCH WITH:
Rubinetto incasso / Built-in tap - 40498 - 40500 - 63500 - 38500 - 42500 - 82500

PROLUNGA / MIXER EXTENSION



00111CRPR

ARTICOLO COMPLETO / COMPLETE ITEM

15554CR00
CR

PARTE INCASSO
BUILT-IN PART

PARTE ESTERNA DA ABBINARE
EXTERNAL MATCHING PART

FINITURE / FINISHES

09700

15554CREU
CR

15554NSEU
NS/NE/PL/ON/
BU/BI/RB

15554OREU
OR/CO/CN

15554OPEU
OP/CM/IM/NM/
HM/OM/BM

15554XXEU *
XX

XX: Per tutte le altre finiture fattibili riferirsi a questa fascia di prezzo. / Refer to this line of price for all other realizable finishes.

ABBINABILE A / TO MATCH WITH:
Rubinetto incasso / Built-in tap - ...500 - ...498
Rubinetto incasso / Built-in tap - 15500 - 15498 - 11/12500 - 11/12498 - 06/65/66500 - 06/65/66498 - 09500 - 09498 - 04/05500 - 04/05498 - 02500 - 02498 - 19/22/17500 - 19/22/17498

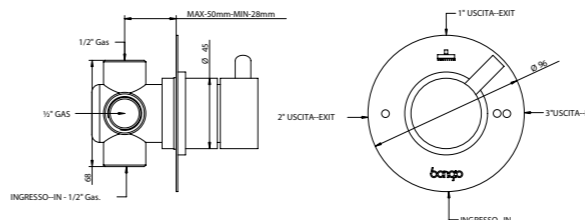
RICAMBI / SPARE PARTS



9837

32525/03PR - 52525/03PR

Deviatore 3 vie (1 entrata - 3 uscite). 3 ways diverter (1 in - 3 out).



PROLUNGA / MIXER EXTENSION



00109CRPR

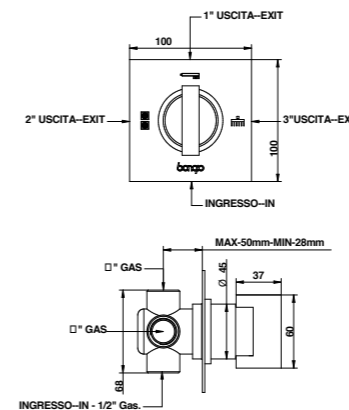
RICAMBI / SPARE PARTS



9808

43525/3

Deviatore 3-vie (1 entrata - 3 uscite). 3-way diverter (1 in - 3 out).



ARTICOLO COMPLETO / COMPLETE ITEM

32525CR03PR - 52525CR03PR
CR

PARTE INCASSO
BUILT-IN PART

PARTE ESTERNA DA ABBINARE
EXTERNAL MATCHING PART

FINITURE / FINISHES

32525/03PR

32525CR03PREU
52525CR03PREU
CR

09494

52525/03PR

32525NS03PREU
52525NS03PREU
NS/NE/BI/ON/
BU/RB

09494

32525OR03PREU
52525OR03PREU
OR

32525XX03PREU
52525XX03PREU *
XX

* XX: Per tutte le altre finiture fattibili riferirsi a questa fascia di prezzo. / Refer to this line of price for all other realizable finishes.

Portata a pressione dinamica - 1° uscita doccia 3 bar - 16,5 l/min, - 2° uscita doccia 3 bar - 16,5 l/min, - 3° uscita vasca 3 bar - 30 l/min. / Flow rates at dynamic pressure - 1° shower exit 3 bar - 16,5 l/min, - 2° shower exit 3 bar - 16,5 l/min, - 3° bath exit 3 bar - 30 l/min.

ABBINABILE A / TO MATCH WITH:
Miscelatore termostatico / Thermostatic mixer - 32544/PR - 32524/PR
Miscelatore incasso / Built-in mixer - 32524 - 32544

ARTICOLO COMPLETO / COMPLETE ITEM

43525CR03
CR

PARTE INCASSO
BUILT-IN PART

PARTE ESTERNA DA ABBINARE
EXTERNAL MATCHING PART

FINITURE / FINISHES

9494

43525CR03EU
CR

43525BM03EU
BM/NS/NE

43525OR03EU
OR/AM/OM/NM/
HM

43525XX03EU *
XX

* XX: Per tutte le altre finiture fattibili riferirsi a questa fascia di prezzo. / Refer to this line of price for all other realizable finishes.

Non disponibile nelle finiture ON - BU - TT / Not available ON - BU - TT

ABBINABILE A / TO MATCH WITH:
Miscelatore termostatico / Thermostatic mixer - 43544
Miscelatore / Mixer - 43524/TR

PROLUNGA / MIXER EXTENSION



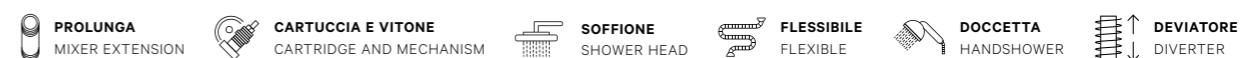
00109CRPR

RICAMBI / SPARE PARTS



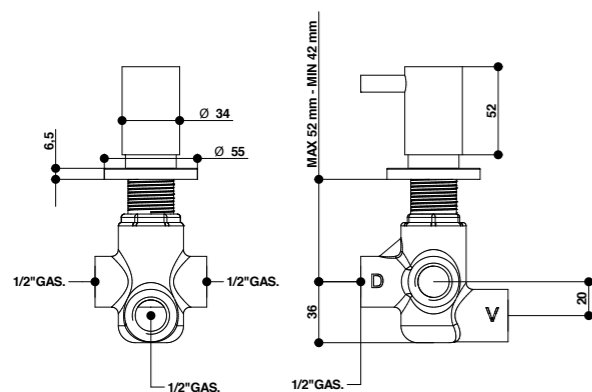
9808

ACCESSORI E RICAMBI / ACCESSORIES AND SPARE PARTS



40525/R

Deviatore 2 uscite (2 entrate 2 uscite).
2 exit built-in diverter (2 in - 2 out).



ARTICOLO COMPLETO / COMPLETE ITEM

40525CRCR0R
CRCR

PARTE INCASSO
BUILT-IN PART

PARTE ESTERNA DA ABBINARE
EXTERNAL MATCHING PART

09496

FINITURE / FINISHES

40525CRCR0REU
CRCR

40525BIBI0REU
BIBI/NENE/NSNS/BUBU/
ONON

40525CNCN0REU
CNCN/AMAM/NMNM/HMHM/
OMOM/BMBM/CMCM/IMIM/
OROR

40525OPOPOREU
OPOP/TTTT/FAFA

40525XXX0REU *
XXXX

* XX: Per tutte le altre finiture fattibili riferirsi a questa fascia di prezzo. /
Refer to this line of price for all other realizable finishes.

PROLUNGA / MIXER EXTENSION

00083CR00

RICAMBI / SPARE PARTS

00112DM



Art. 867RBIROT - Art. 32542RB04 - Art. 40500RBRB0REU - Art. 915RB + 9600NEPV + 750RB - Art. 64634RBRB0DPREU

FINITURE E COLORI / FINISHES AND COLOURS



ACCESSORI E RICAMBI / ACCESSORIES AND SPARE PARTS





SPOUTS

BOCCHE / SPOUTS

877+38030/R NEW

Bocca + specchio tondo Ø 600 mm. Spout + round mirror Ø 600 mms.

**BOCCA / SPOUT****ARTICOLO COMPLETO / COMPLETE ITEM****00877CR00**

CR

00877NS00

NS/RB/NE/BI/ON

00877OR00

OR/BM

00877AM00




AM/NM/HM/CN

00877FA00

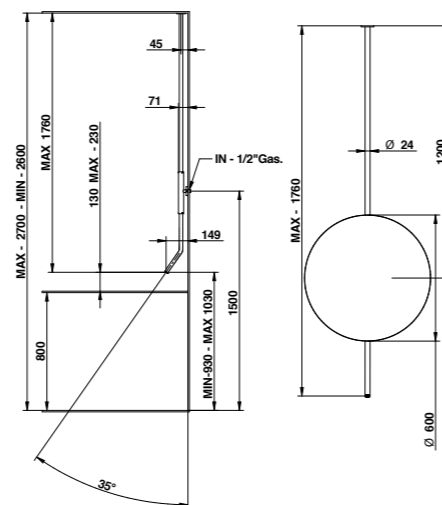
FA/TT

Da vendersi unitamente allo specchio / To sell only with 38030/R

SPECCHIO / MIRROR**ARTICOLO COMPLETO / COMPLETE ITEM****38030000R****ABBINABILE A / TO MATCH WITH**

	38504CRCR coppia rubinetti acqua calda e acqua fredda da piano / pair of hot and cold water deck taps	CR
	38500CRCR rubinetto acqua calda o acqua fredda / hot or cold water tap ordinare 2 pz. per articolo / 2 pcs needed	CR
	38524CRCR miscelatore incasso / built-in mixer	CR

Non disponibile nella finitura BU / Not available BU

RICAMBI / SPARE PARTS **9390****877+38030/Q NEW**

Bocca + specchio rettangolare 600x350 mm.

Spout + rectangular mirror Ø 600x350 mms.

**BOCCA / SPOUT****ARTICOLO COMPLETO / COMPLETE ITEM****00877CR00**

CR

00877NS00

NS/RB/NE/BI/ON

00877OR00

OR/BM

00877AM00




AM/NM/HM/CN

00877FA00

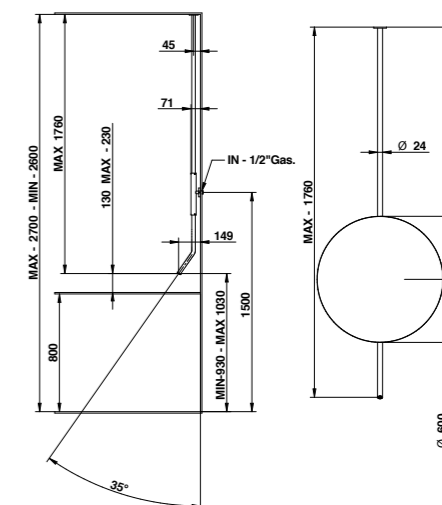
FA/TT

Da vendersi unitamente allo specchio / To sell only with 38030/Q

SPECCHIO / MIRROR**ARTICOLO COMPLETO / COMPLETE ITEM****38030000Q****ABBINABILE A / TO MATCH WITH**

	38504CRCR coppia rubinetti acqua calda e acqua fredda da piano / pair of hot and cold water deck taps	CR
	38500CRCR rubinetto acqua calda o acqua fredda / hot or cold water tap ordinare 2 pz. per articolo / 2 pcs needed	CR
	38524CRCR miscelatore incasso / built-in mixer	CR

Non disponibile nella finitura BU / Not available BU

RICAMBI / SPARE PARTS **9390****FINITURE E COLORI / FINISHES AND COLOURS****ACCESSORI E RICAMBI / ACCESSORIES AND SPARE PARTS**

BOCCHIE / SPOUTS

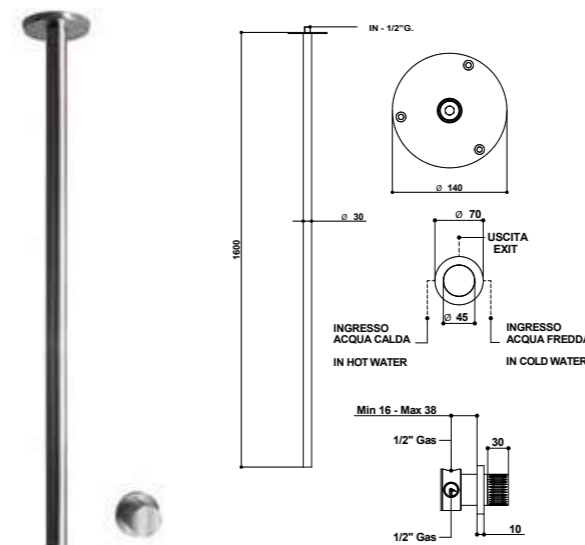


NOTA FINITURE FA / TT: I prodotti nelle finiture Ferro Antico (FA) e Terra di Toscana (TT) vengono realizzati con trattamenti manuali e, data la particolare lavorazione artigianale, possono presentare una colorazione non uniforme.

FINISHES NOTE FA / TT: Products in Ferro Antico (FA) and Terra di Toscana (TT) finishes are made with manual treatments and may therefore display colour variations due to the particular craftsmanship.

70977/RM - 71977/RM - 73977/RM - 69977/RM

Bocca a soffitto in acciaio spazzolato 316 con comando remoto a muro con cartuccia progressiva. 316 brushed stainless steel ceiling spout with built-in remote control with progressive cartridge.



RICAMBI / SPARE PARTS

	9822 *		9896 ◻
	9390		

* Cartuccia progressiva / Progressive cartridge
◻ Cartuccia tradizionale / Traditional cartridge

ARTICOLO COMPLETO / COMPLETE ITEM

70977ASRM AS
71977ASRM - 73977ASRM * AS
69977ASMR * AS

PARTE INCASSO BUILT-IN PART PARTE ESTERNA DA ABBINARE EXTERNAL MATCHING PART

09693AS00 09693NE00 09689AS00 09689NE00	70977ASRMEU 71977ASRMEU * 73977ASRMEU AS
--	---

FINITURE / FINISHES

69977ASMRU * AS	70977NERMEU * NE
	70977NERMEU NE

* Cartuccia tradizionale / Traditional cartridge

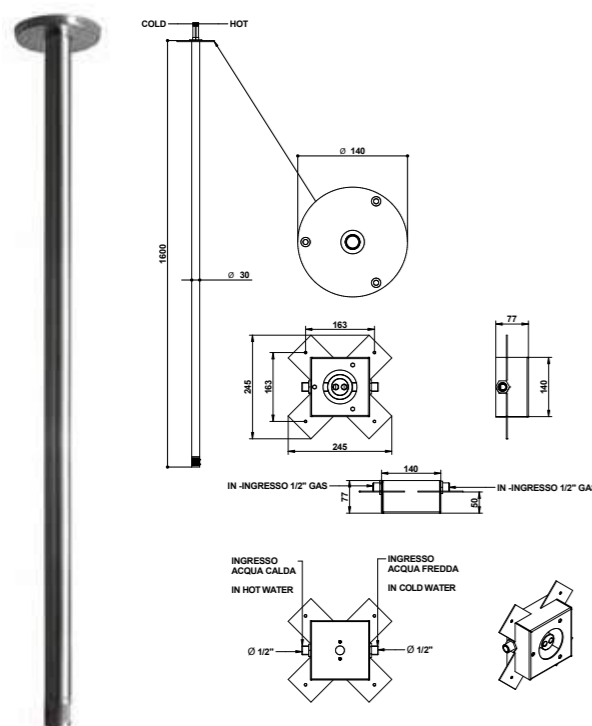
ABBINABILE A / TO MATCH WITH:
Sifone / Siphon - 70067AS00
Piletta clic-clac acciaio / Stainless steel clic-clac waste - 70071AS00

PROLUNGA / MIXER EXTENSION

	00099ASPR		00096ASPR
	00096NEPR		00099NEPR

70977/M INOX

Bocca a soffitto in acciaio spazzolato 316 con miscelatore progressivo incluso nella bocca. 316 brushed stainless steel ceiling spout with progressive mixer placed in the spout.



ARTICOLO COMPLETO / COMPLETE ITEM

70977ASOM AS	
PARTE INCASSO BUILT-IN PART	PARTE ESTERNA DA ABBINARE EXTERNAL MATCHING PART
	FINITURE / FINISHES
9646AS	70977ASOMEU AS
	70977NEOMEU NE

ABBINABILE A / TO MATCH WITH:
Sifone / Siphon - 70067AS00
Piletta clic-clac acciaio / Stainless steel clic-clac waste - 70071AS00

RICAMBI / SPARE PARTS

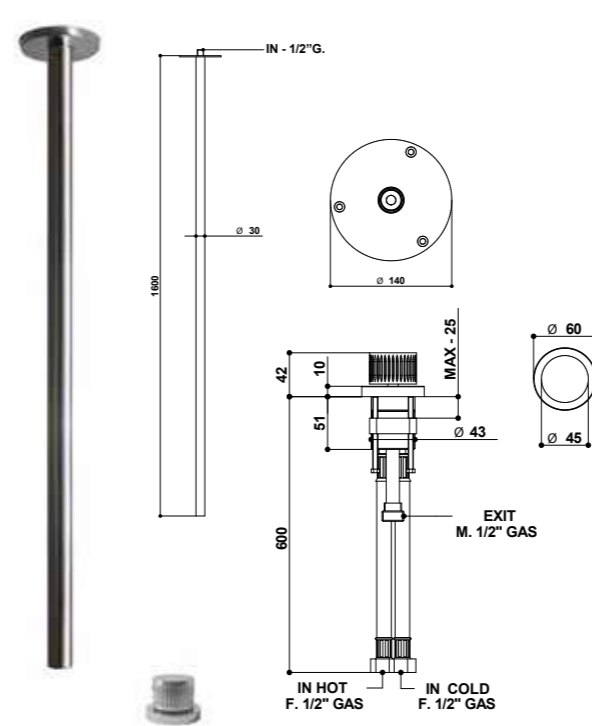
	9880		9390
--	------	--	------

FINITURE E COLORI / FINISHES AND COLOURS



70977/RP - 71977/RP - 73977/RP - 69977/RP

Bocca a soffitto in acciaio spazzolato 316 con comando remoto a muro con cartuccia progressiva. 316 brushed stainless steel ceiling spout with deck remote control with progressive cartridge.



ARTICOLO COMPLETO / COMPLETE ITEM

70977ASRP AS
71977ASRP - 73977ASRP * AS
69977ASRP * AS
70977NERP NE
73977NERP * NE

* Cartuccia tradizionale / Traditional cartridge

ABBINABILE A / TO MATCH WITH:
Sifone / Siphon - 00067NS00
Piletta clic-clac acciaio / Stainless steel clic-clac waste - 70071AS00

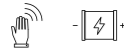
RICAMBI / SPARE PARTS

	9822 *		9896 ◻
	9390		

* Cartuccia progressiva / Progressive cartridge
◻ Cartuccia tradizionale / Traditional cartridge

ACCESSORI E RICAMBI / ACCESSORIES AND SPARE PARTS

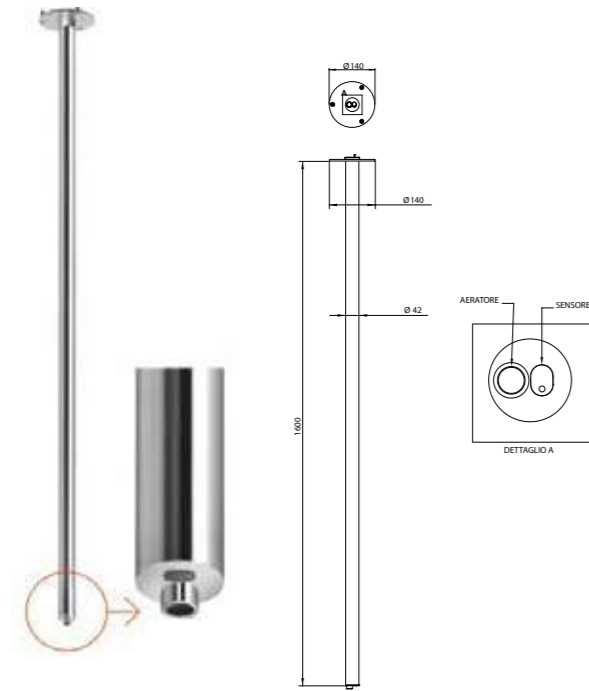




00977/EL

Bocca a soffitto con sistema elettronico a infrarossi.

Ceiling spout and electrical system with infrared eye.



ARTICOLO COMPLETO / COMPLETE ITEM

00977CREL
CR

PARTE INCASSO BUILT-IN PART	PARTE ESTERNA DA ABBINARE EXTERNAL MATCHING PART
--------------------------------	---

FINITURE / FINISHES

09747	00977CRELEU CR
	00977NSELEU NS/NE/BI
	00977TTELEU TT/FA/ON

Valvola termostatica per premiscelazione SI00100PT. / Thermostatic valve for waters mixing SI00100PT.

Tempo erogazione standard: 1 min. Stop erogazione acqua dopo l'utilizzo: 2 sec. Stop anti allagamento ripristino funzione: 40 sec. / Standard water supply timing: 1 min. Stop water supply after using: 2 sec. Stop anti-flooding-restore function: 40 sec.

Non disponibile in altre finiture. / Not available in other finishes.

ABBINABILE A / TO MATCH WITH:
Sifone / Siphon - **00067**
Piletta clic-clac / Clic-clac waste - **00079**

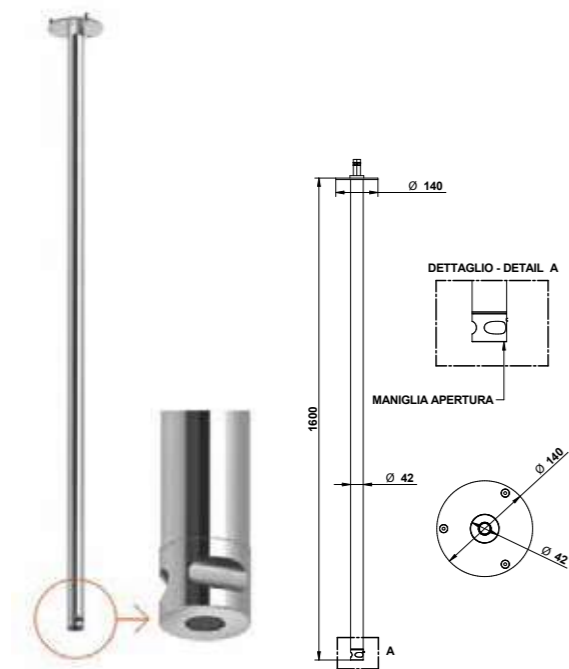
RICAMBI / SPARE PARTS

SI001ELVL	9989CR
------------------	---------------

977/M

Bocca a soffitto con miscelatore progressivo incluso nel tubo bocca.

Ceiling spout with progressive mixer.



ARTICOLO COMPLETO / COMPLETE ITEM

00977CROM
CR

PARTE INCASSO BUILT-IN PART	PARTE ESTERNA DA ABBINARE EXTERNAL MATCHING PART
--------------------------------	---

FINITURE / FINISHES

9746	00977CROMEU CR
	00977NSOMEU NS/NE
	00977WMOMEU WM/RM/RS/RB

Non disponibile in altre finiture. / Not available in other finishes.

RICAMBI / SPARE PARTS

9839	9390
-------------	-------------

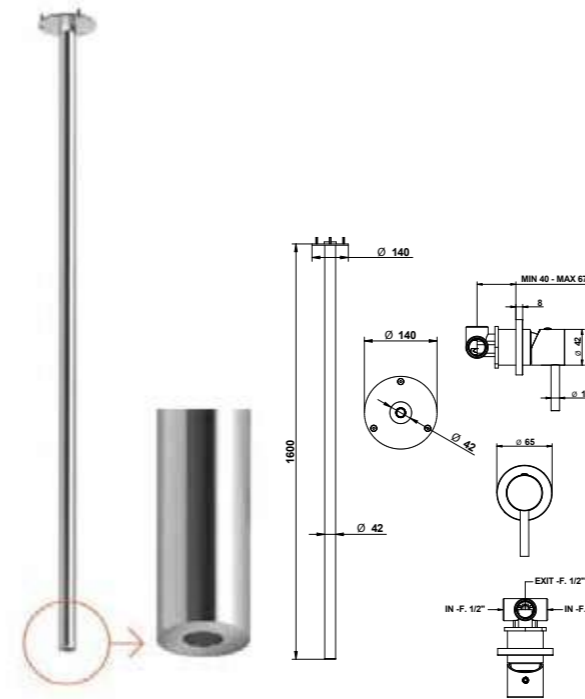
FINITURE E COLORI / FINISHES AND COLOURS



977/R

Bocca a soffitto con comando remoto 68524RPPR.

Ceiling spout with remote mixer 68524RPPR.



ARTICOLO COMPLETO / COMPLETE ITEM

00977CROR
CR

PARTE INCASSO BUILT-IN PART	PARTE ESTERNA DA ABBINARE EXTERNAL MATCHING PART
--------------------------------	---

FINITURE / FINISHES

9745/R	00977CROREU CR
	00977NSOREU NS/NE/BI
	00977WMOREU WM/RM/RS/RB
	00977IMOREU IM/CM

Non disponibile in altre finiture. / Not available in other finishes.

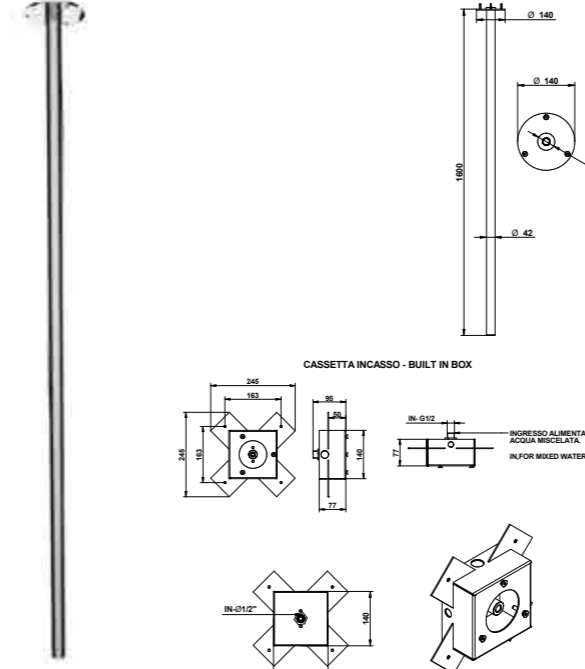
RICAMBI / SPARE PARTS

9813	9390
-------------	-------------

977/00

Bocca a soffitto da abbinare al miscelatore.

Ceiling spout to match with a mixer.



ARTICOLO COMPLETO / COMPLETE ITEM

00977CRO0
CR

PARTE INCASSO BUILT-IN PART	PARTE ESTERNA DA ABBINARE EXTERNAL MATCHING PART
--------------------------------	---

FINITURE / FINISHES

9745	00977CRO0EU CR
	00977NS00EU NS/NE/BI
	00977WM00EU WM/RM/RS/RB
	00977IM00EU IM/CM

Non disponibile in altre finiture. / Not available in other finishes.

ABBINABILE A / TO MATCH WITH:
Miscelatore / Mixer - **82524CRCR**

RICAMBI / SPARE PARTS

9983

ACCESSORI E RICAMBI / ACCESSORIES AND SPARE PARTS



985/70-90

Bocca lavabo a pavimento 985/90. Floor mounted basin spout 985/90.
Bocca vasca a pavimento 985/70. Floor mounted bath spout 985/70.



ARTICOLO COMPLETO / COMPLETE ITEM

- 00985CR70 CR
- 00985CR90 CR
- 00985NE70 NE/BI/NS/ON
- 00985NE90 NE/BI/NS/ON
- 00985BM70 BM
- 00985BM90 BM
- 00985OR70 OR
- 00985OR90 OR
- 00985IM70 IM
- 00985IM90 IM
- 00985NM70 NM/HM/AM/OM/FA/CM/TT/OP/CN
- 00985NM90 NM/HM/AM/OM/FA/CM/TT/OP/CN

Non disponibile nella finitura BU / Not available BU

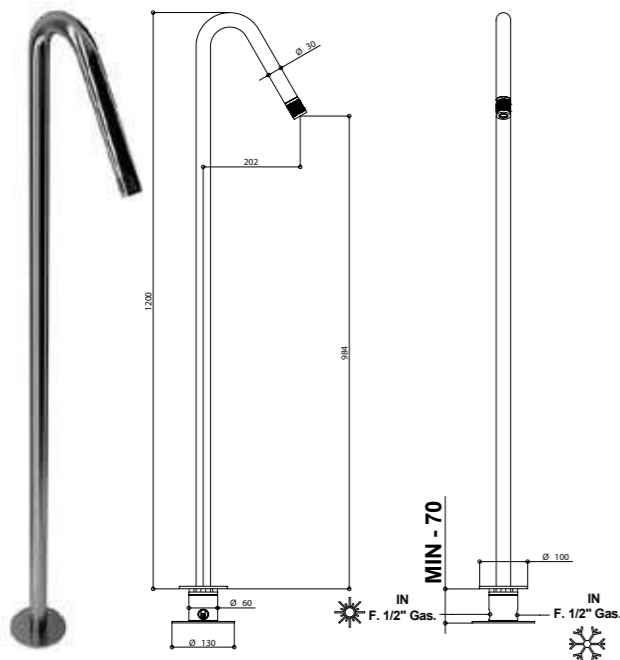
RICAMBI / SPARE PARTS



9999CR

70533 INOX

Miscelatore lavabo da terra in acciaio spazzolato 316 con cartuccia progressiva inclusa nella bocca. 316 brushed stainless steel floor mounted basin mixer with progressive cartridge placed in the spout.



ARTICOLO COMPLETO / COMPLETE ITEM

70533AS00 AS

PARTE INCASSO BUILT-IN PART **PARTE ESTERNA DA ABBINARE EXTERNAL MATCHING PART**

09698AS00

FINITURE / FINISHES

- 70533ASEU AS
- 70533NEEU NE

ABBINABILE A / TO MATCH WITH:
Sifone / Siphon - 70067AS00
Piletta clic-clac acciaio / Stainless steel clic-clac waste - 70071AS00

RICAMBI / SPARE PARTS



9880



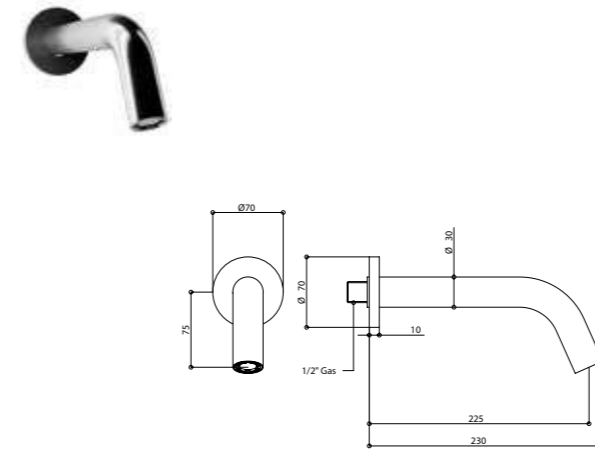
9390

FINITURE E COLORI / FINISHES AND COLOURS



70994 INOX

Bocca incasso 230 mm in acciaio spazzolato 316. 316 brushed stainless steel 230 mms. spout.



ARTICOLO COMPLETO / COMPLETE ITEM

70994AS00 AS
70994NE00 NE

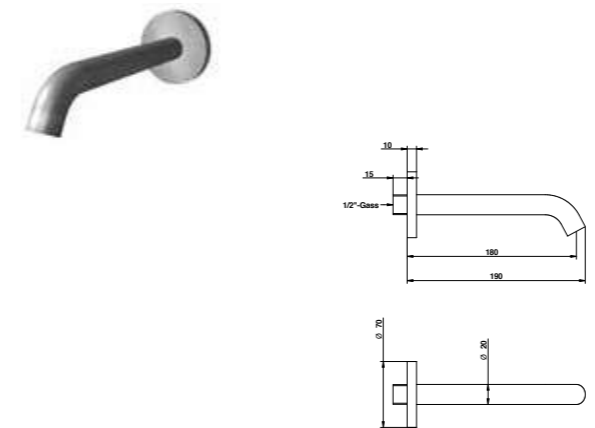
RICAMBI / SPARE PARTS



9391

70989 INOX

Bocca incasso 180 mm, ø 21 mm in acciaio spazzolato 316. 316 brushed stainless steel 180 mms., ø 21 mms. spout.



ARTICOLO COMPLETO / COMPLETE ITEM

70989AS00 AS
70989NE00 NE

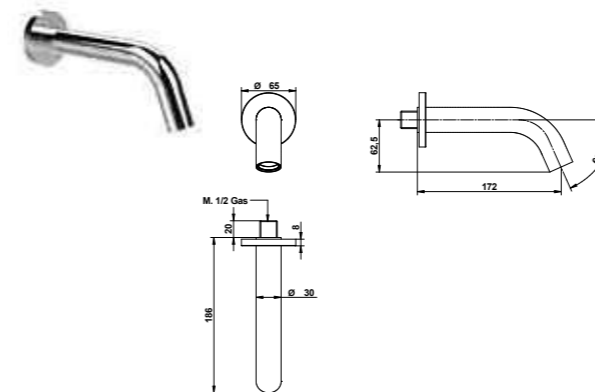
RICAMBI / SPARE PARTS



9392

1008/19

Bocca incasso ø 30 mm, 186 mm lunghezza, 1/2" M lunghezza. Built-in spout 30 mms. ø, 1/2" M 186 mms. long.



ARTICOLO COMPLETO / COMPLETE ITEM

01008CR19 CR
01008NE19 NE/RS/BI/NS/ON/BU
01008FA19 FA/NM/HM/CM/AM/OM/TT/OP/CN
01008XX19 * XX

* XX: Per tutte le altre finiture fattibili riferirsi a questa fascia di prezzo. / Refer to this line of price for all other realizable finishes.

RICAMBI / SPARE PARTS



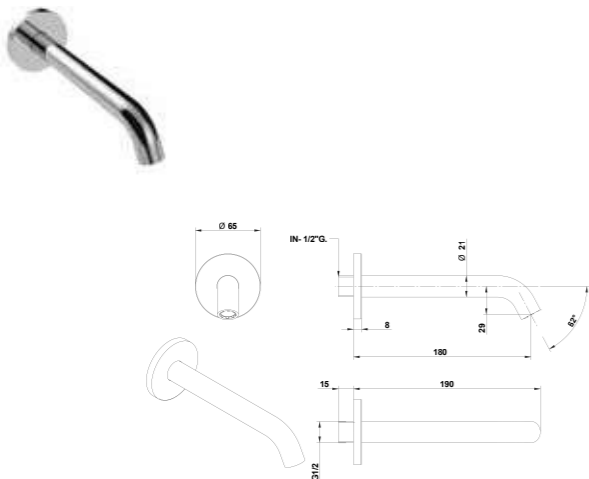
9391

ACCESSORI E RICAMBI / ACCESSORIES AND SPARE PARTS



1017/19 NEW

Bocca incasso Ø 21 mm, 190 mm. Lunghezza 1/2" M. Built-in spout Ø 21 mms, 190 mms. Long 1/2" M.



ARTICOLO COMPLETO / COMPLETE ITEM

- 01017CR19
CR
- 01017NE19
NE/NS/BI/RB/ON/BU
- 01017OR19
OR/AM/NM/CN/HM/BM
- 01017TT19
TT/FA
- 01017XX19 *
XX

* XX: Per tutte le altre finiture fattibili riferirsi a questa fascia di prezzo. / Refer to this line of price for all other realizable finishes.

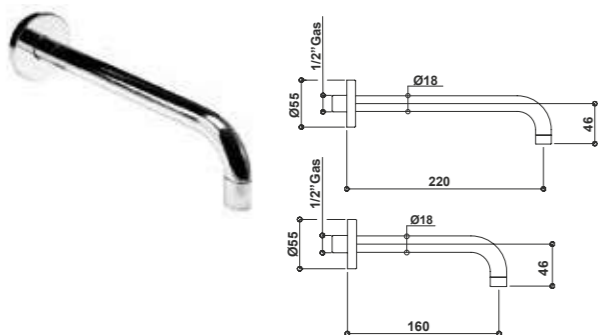
RICAMBI / SPARE PARTS



9390

989/16-22

Bocca incasso Ø 18 mm, 160-220 mm lunghezza, 1/2M. Built-in spout, 18 mms. Ø, 1/2M, 160-220 mms. long.



ARTICOLO COMPLETO / COMPLETE ITEM

- 00989CR16
CR
- 00989CR22
CR
- 00989NE16
NE/RS/BI/NS/ON/BU
- 00989NE22
NE/RS/BI/NS/ON/BU
- 00989FA16
FA/NM/HM/CM/AM/OM/TT/OP/CN
- 00989NM22
NM/FA/HM/CM/AM/OM/TT/OP/CN
- 00989XX16 *
XX
- 00989XX22 *
XX

* XX: Per tutte le altre finiture fattibili riferirsi a questa fascia di prezzo. / Refer to this line of price for all other realizable finishes.

OPTIONAL: Rosone standard. / Flange standard. 00252CR00
OPTIONAL: Rosone Ø 80 mm. / Flange Ø 80 mms. 00252CR80

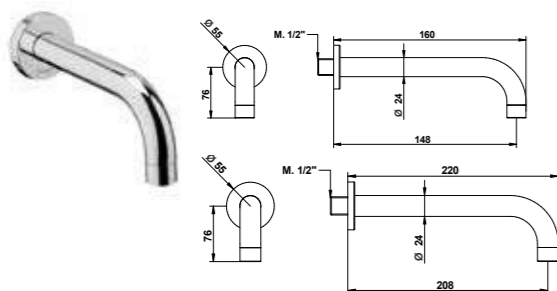
RICAMBI / SPARE PARTS



9988CR

986/16-22

Bocca incasso Ø 24 mm, 160-220 mm lunghezza, 1/2M. Built-in spout, 24 mms. Ø, 1/2M, 160-220 mms. long.



ARTICOLO COMPLETO / COMPLETE ITEM

- 00986CR16
CR
- 00986CR22
CR
- 00986BU16
BU/NS/BI/NE/ON
- 00986BU22
BU/NS/BI/NE/ON
- 00986CN16
CN/AM/FA/OP/BM/HM/NM/OM/OR
- 00986CN22
CN/AM/NM/FA/OP/BM/HM/OM/OR
- 00986TT16
TT/CM/IM
- 00986TT22
TT/CM/IM
- 00986XX16 *
XX
- 00986XX22 *
XX

OPTIONAL: Rosone standard. / Flange standard. 00253CR00
OPTIONAL: Rosone Ø 80 mm. / Flange Ø 80 mms. 00253CR80

RICAMBI / SPARE PARTS



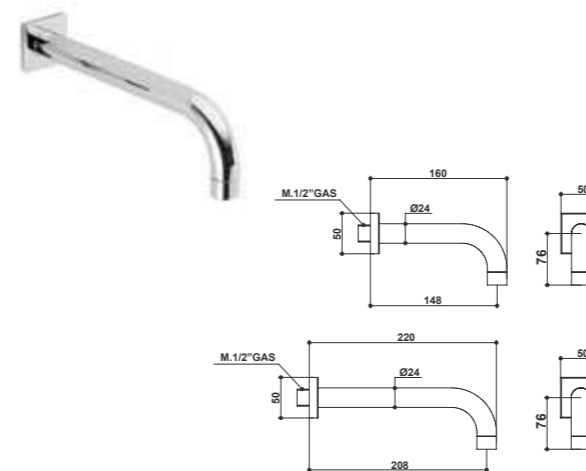
9999CR

FINITURE E COLORI / FINISHES AND COLOURS



994/16-22

Bocca incasso 160 / 220 mm. Built-in 160 / 220 mms. bath spout.



ARTICOLO COMPLETO / COMPLETE ITEM

- 00994CR16
CR
- 00994CR22
CR
- 00994NS16
NS/NE/BI
- 00994NS22
NS/NE/BI
- 00994XX16
XX
- 00994XX22 *
XX

* XX: Per tutte le altre finiture fattibili riferirsi a questa fascia di prezzo. / Refer to this line of price for all other realizable finishes.

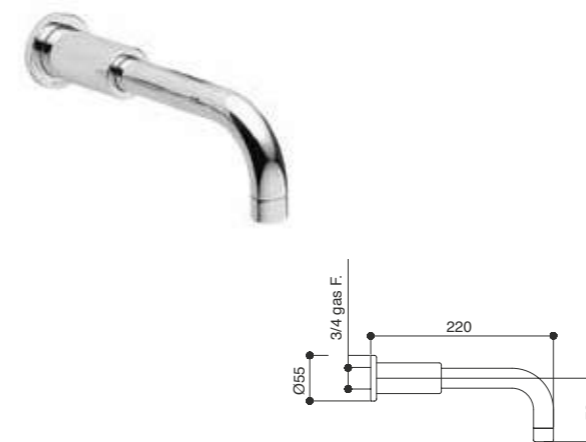
RICAMBI / SPARE PARTS



9999CR

990/16-22

Bocca incasso Ø 24 mm, 160 / 220 mm lunghezza, 3/4". Built-in spout, 24 mms. Ø, 3/4", 160 / 220 mms. long.



ARTICOLO COMPLETO / COMPLETE ITEM

- 00990CR16
CR
- 00990CR22
CR

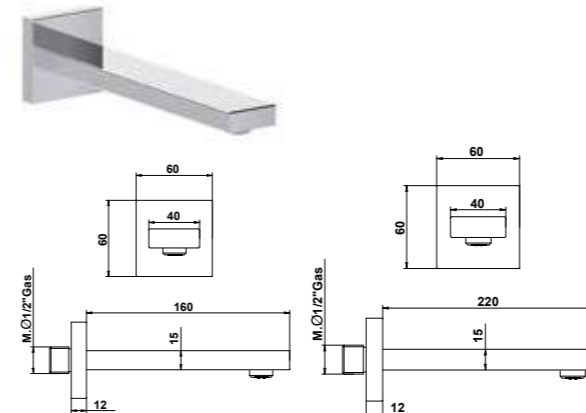
RICAMBI / SPARE PARTS



9999CR

992/16-22

Bocca incasso 160/220 mm. 160/220 mms. built-in spout.



ARTICOLO COMPLETO / COMPLETE ITEM

- 00992CR16
CR
- 00992CR22
CR
- 00992NS16
NS/NE
- 00992NE22
NE/NS
- 00992OR16
OR/AM/BM/HM/NM/OM
- 00992AM22
AM/OM/BM/HM/NM/OR

Non disponibile nelle finiture ON - BU - TT / Not available ON - BU - TT

RICAMBI / SPARE PARTS



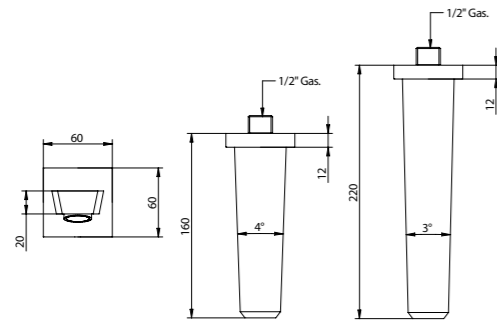
9984

ACCESSORI E RICAMBI / ACCESSORIES AND SPARE PARTS



995/16-22

Bocca vasca incasso 160/220 mm. 160/220 mms. built-in spout.



ARTICOLO COMPLETO / COMPLETE ITEM

- 00995CR16**
CR
- 00995CR22**
CR
- 00995NS16**
NS/NE
- 00995NS22**
NS/NE
- 00995CN16**
CN/OR/NM/HM/AM
- 00995CN22**
CN/OR/NM/HM/AM
- 00995XX16 ***
XX
- 00995XX22 ***
XX

* XX: Per tutte le altre finiture fattibili riferirsi a questa fascia di prezzo. / Refer to this line of price for all other realizable finishes.

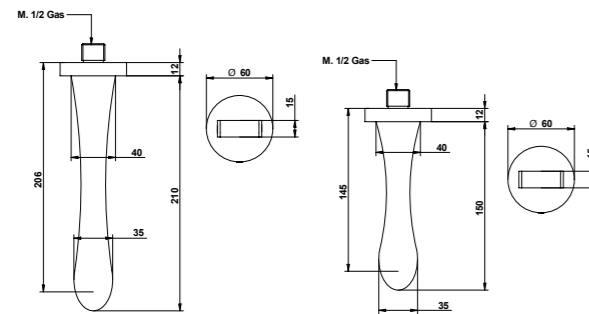
Non disponibile in BM - BU - ON - TT / Not available BM - BU - ON - TT

RICAMBI / SPARE PARTS

- 9998CR**

997/16-22

Bocca incasso 160-220 mm. Built-in 160-220 mms. bath spout.



ARTICOLO COMPLETO / COMPLETE ITEM

- 00997CR16**
CR
- 00997CR22**
CR
- 00997NS16**
NS
- 00997NE16**
NE/BI
- 00997NS22**
NS
- 00997NE22**
NE/BI
- 00997PL16**
PL
- 00997PL22**
PL
- 00997AM16**
AM/NM/CN/HM
- 00997AM22**
AM/NM/CN/HM
- 00997XX16**
XX
- 00997XX22 ***
XX

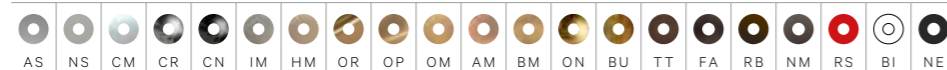
* XX: Per tutte le altre finiture fattibili riferirsi a questa fascia di prezzo. / Refer to this line of price for all other realizable finishes.

Non disponibile in TT - BU - ON - BM / Not available TT - BU - ON - BM

RICAMBI / SPARE PARTS

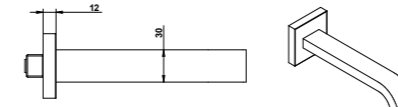
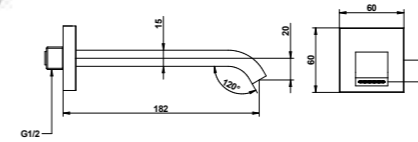
- 9984**

FINITURE E COLORI / FINISHES AND COLOURS



1006/18

Bocca lavabo incasso 180 mm, 1/2" M con aeratore. 180 mms. basin built-in spout, 1/2" M with aerator.



ARTICOLO COMPLETO / COMPLETE ITEM

- 01006CR18**
CR
- 01006NS18**
NS/NE

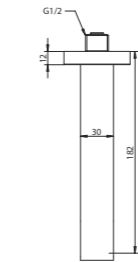
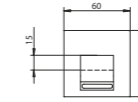
Non disponibile in altre finiture. / Not available in other finishes.

RICAMBI / SPARE PARTS

- 9397**

01006/18VA

Bocca vasca incasso 180 mm, 1/2" M. 180 mms. bath built-in spout, 1/2" M.



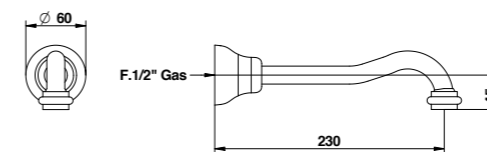
ARTICOLO COMPLETO / COMPLETE ITEM

- 01006CR18VA**
CR
- 01006NS18VA**
NS/NE
- 01006OR18VA**
OR/OP

Non disponibile in altre finiture. / Not available in other finishes.

1004/23

Bocca incasso 230 mm. 230 mms. built-in spout.



ARTICOLO COMPLETO / COMPLETE ITEM

- 1004CR23**
CR
- 1004OR23**
OR
- 1004XX23 ***
XX

* XX: Per tutte le altre finiture fattibili riferirsi a questa fascia di prezzo. / Refer to this line of price for all other realizable finishes.

Non disponibile in TT - BU - ON - FA - BI - NE - RS - CM - IM - NM - OM - AM - HM - BM / Not available TT - BU - ON - FA - BI - NE - RS - CM - IM - NM - OM - AM - HM - BM

RICAMBI / SPARE PARTS

- 09987CR**

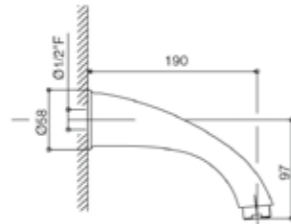
ACCESSORI E RICAMBI / ACCESSORIES AND SPARE PARTS



988

Bocca fusa incasso 1/2 F 190 mm.

Built-in cast spout, 1/2 F, 190 mms. long.



ARTICOLO COMPLETO / COMPLETE ITEM

00988CR00
CR00988NE00
NE/BM/BU/ON00988OR00
OR/NM/NS/PL/HM/PL00988FA00
FA/AM/OP/CN/NI00988XX00 *
XX

* XX: Per tutte le altre finiture fattibili riferirsi a questa fascia di prezzo. / Refer to this line of price for all other realizable finishes.

RICAMBI / SPARE PARTS

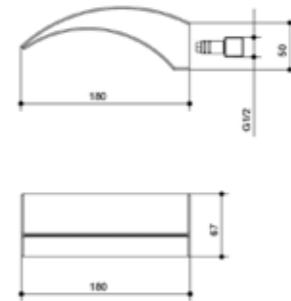


09998CR

15891

Bocca incasso classica a cascata.

Built-in classical waterfall spout.



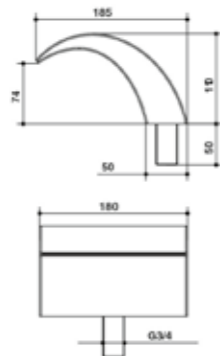
ARTICOLO COMPLETO / COMPLETE ITEM

15891CR00
CR15891OR00
OR/NS/PL15891OP00
OP/CN/NI

Non disponibile in BM - TT - BU - ON - FA - IM - NM - OM - HM - CM - AM - NE - BI / Not available BM - TT - BU - ON - FA - IM - NM - OM - HM - CM - AM - NE - BI

15892

Bocca a cascata classica bordo vasca. Classical deck bath spout.



ARTICOLO COMPLETO / COMPLETE ITEM

15892CR00
CR15892OR00
OR/NS/PL15892OP00
OP/CN/NI

Non disponibile in BM - TT - BU - ON - FA - IM - NM - OM - HM - CM - AM - NE - BI / Not available BM - TT - BU - ON - FA - IM - NM - OM - HM - CM - AM - NE - BI

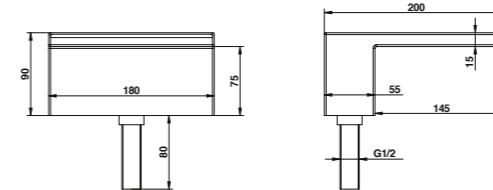
FINITURE E COLORI / FINISHES AND COLOURS



891

Bocca a cascata bordo vasca.

Deck bath waterfall spout.



ARTICOLO COMPLETO / COMPLETE ITEM

891CR00
CR891AS00
AS891OR00
OR891OP00
OP

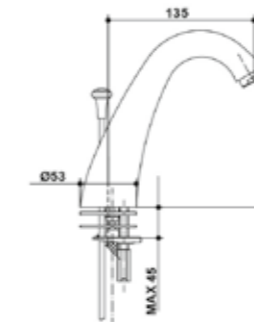
Pressione dinamica minima di utilizzo 1 bar. Portata a pressione dinamica 3 bar - 22 l/min. / Minimum dynamic pressure of use 1 bar. Flow rates at dynamic pressure 3 bar - 22 l/min.

Non disponibile in altre finiture. / Not available in other finishes.

15906

Bocca alta lavabo classica.

Classic basin high spout.



ARTICOLO COMPLETO / COMPLETE ITEM

15906CR00
CR15906NS00
NS/BU/ON15906OR00
OR/NE/BM/NM/HM/PL/NI15906FA00
FA/AM/OP/CN15906XX00 *
XX

* XX: Per tutte le altre finiture fattibili riferirsi a questa fascia di prezzo. / Refer to this line of price for all other realizable finishes.

RICAMBI / SPARE PARTS

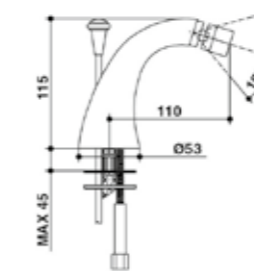


9998CR

15905

Bocca bidet classica.

Classic bidet spout.



ARTICOLO COMPLETO / COMPLETE ITEM

15905CR00
CR15905NS00
NS/BU/ON15905OR00
OR/NE/BM/NM/HM/PL/NI15905FA00
FA/AM/OP/CN15905XX00 *
XX

* XX: Per tutte le altre finiture fattibili riferirsi a questa fascia di prezzo. / Refer to this line of price for all other realizable finishes.

RICAMBI / SPARE PARTS



9979CR

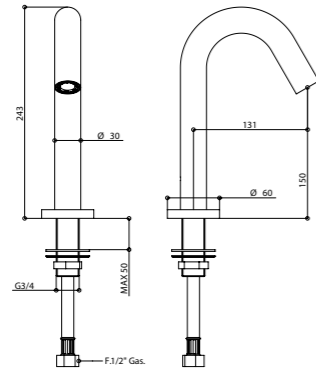
ACCESSORI E RICAMBI / ACCESSORIES AND SPARE PARTS

PROLUNGA
MIXER EXTENSIONCARTUCCIA E VITONE
CARTRIDGE AND MECHANISMAERATORE
AERATORELETTROVALVOLA
ELECTRO-VALVE

70800 INOX

Bocca bordo lavabo in acciaio spazzolato 316.

316 brushed stainless steel basin swivel spout.



ARTICOLO COMPLETO / COMPLETE ITEM

70800AS00
AS

70800NE00
NE

RICAMBI / SPARE PARTS

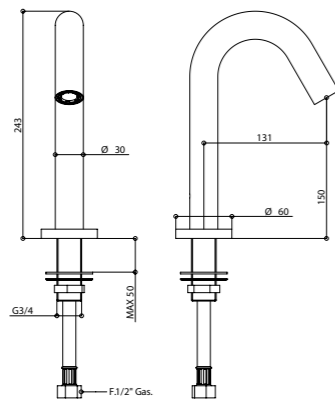


9391

70983 INOX

Bocca bordo vasca in acciaio spazzolato 316.

316 brushed stainless steel bathtub swivel spout.



ARTICOLO COMPLETO / COMPLETE ITEM

70983AS00
AS

70983NE00
NE

RICAMBI / SPARE PARTS

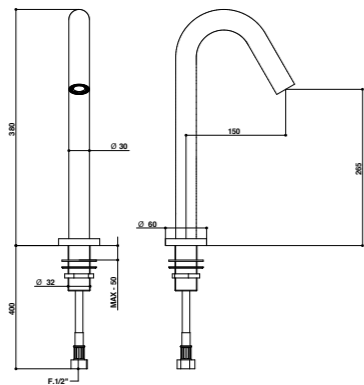


9391

70984 INOX

Bocca bordo lavabo alta in acciaio spazzolato 316.

316 brushed stainless steel high basin swivel spout.



ARTICOLO COMPLETO / COMPLETE ITEM

70984AS00
AS

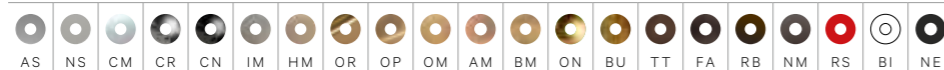
70984NE00
NE

RICAMBI / SPARE PARTS



9391

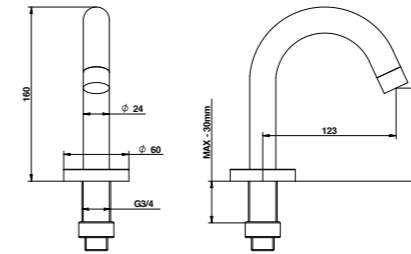
FINITURE E COLORI / FINISHES AND COLOURS



985

Bocca bordo vasca.

Deck bath spout.



ARTICOLO COMPLETO / COMPLETE ITEM

00985CR00
CR

00985NS00
NS/NE/PL/BI

00985OR00
OR

RICAMBI / SPARE PARTS

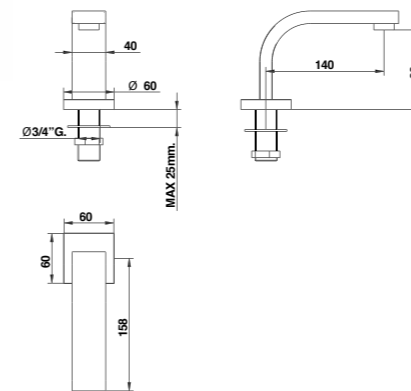


9999CR

1010

Bocca bordo vasca.

Deck-bath spout.



ARTICOLO COMPLETO / COMPLETE ITEM

01010CR00
CR

01010NS00
NS/NE

01010BM00
BM/HM/NM/OR/AM/OM

01010XX00 *
XX

* XX: Per tutte le altre finiture fattibili riferirsi a questa fascia di prezzo. / Refer to this line of price for all other realizable finishes.

Non disponibile nelle finiture ON - BU - TT / Not available ON - BU - TT

RICAMBI / SPARE PARTS

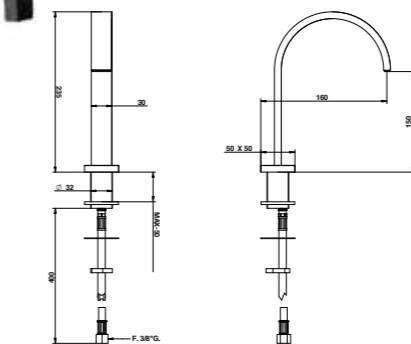


9982CR

43501/BO

Bocca lavabo.

Basin spout.



ARTICOLO COMPLETO / COMPLETE ITEM

43501CRBO
CR

43501BMBO
BM

43501ORBO
OR/AM/NM/HM/OM

43501XXBO *
XX

* XX: Per tutte le altre finiture fattibili riferirsi a questa fascia di prezzo. / Refer to this line of price for all other realizable finishes.

Non disponibile in BU - ON / Not available BU - ON

RICAMBI / SPARE PARTS



9380

ACCESSORI E RICAMBI / ACCESSORIES AND SPARE PARTS



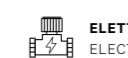
PROLUNGA
MIXER EXTENSION



CARTUCCIA E VITONE
CARTRIDGE AND MECHANISM



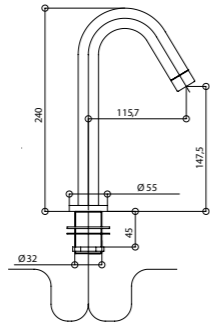
AERATORE
AERATOR



ELETTROVALVOLA
ELECTRO-VALVE

42800

Bocca lavabo. Basin spout.

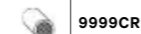


ARTICOLO COMPLETO / COMPLETE ITEM

- 42800CR00**
CR
- 42800NS00**
NS/NE/BI
- 42800OP00**
OP
- 42800XX00 ***
XX

* XX: Per tutte le altre finiture fattibili riferirsi a questa fascia di prezzo. / Refer to this line of price for all other realizable finishes.

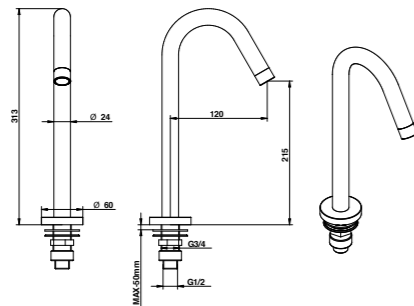
RICAMBI / SPARE PARTS



9999CR

983 NEW

Bocca bordo vasca. Bath spout.

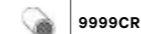


ARTICOLO COMPLETO / COMPLETE ITEM

- 00983CR00**
CR
- 00983NS00**
NS/NE/BI
- 00983OP00**
OP/TT/FA
- 00983XX00 ***
XX

* XX: Per tutte le altre finiture fattibili riferirsi a questa fascia di prezzo. / Refer to this line of price for all other realizable finishes.

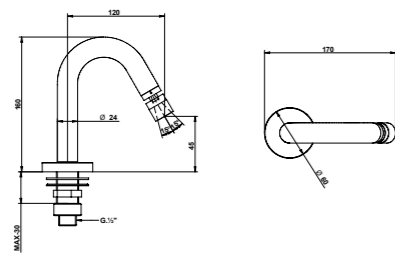
RICAMBI / SPARE PARTS



9999CR

60502

Bocca bidet. Bidet spout.

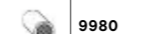


ARTICOLO COMPLETO / COMPLETE ITEM

- 60502CR00**
CR
- 60502NE00**
NE/NS/RS/BI
- 60502OR00**
OR/FA/NM/HM/CM/AM/OM
- 60502TT00**
TT/OP
- 60502XX00 ***
XX

* XX: Per tutte le altre finiture fattibili riferirsi a questa fascia di prezzo. / Refer to this line of price for all other realizable finishes.

RICAMBI / SPARE PARTS



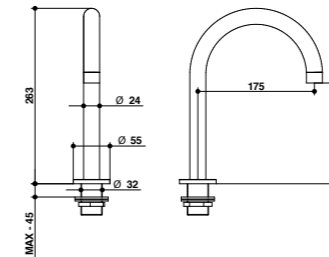
9980

FINITURE E COLORI / FINISHES AND COLOURS



982/ LV

Bocca lavabo. Basin spout.



ARTICOLO COMPLETO / COMPLETE ITEM

- 00982CRLV**
CR
- 00982NSLV**
NS/NE/BI/ON/BU
- 00982FALV**
FA/OR/NM/CM/IM
- 00982AMLV**
AM/OP/TT/OM/BM/HM
- 00982XXRLV ***
XX

* XX: Per tutte le altre finiture fattibili riferirsi a questa fascia di prezzo. / Refer to this line of price for all other realizable finishes.

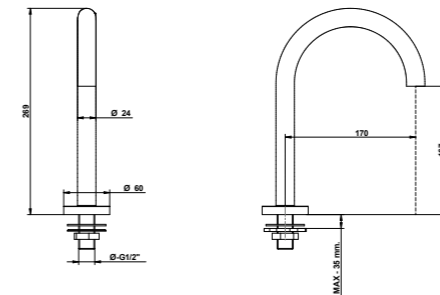
RICAMBI / SPARE PARTS



9999CR

1018

Bocca lavabo. Basin spout.



ARTICOLO COMPLETO / COMPLETE ITEM

- 1018CR00**
CR
- 1018WM00**
WM/RM/NE/BI/RS/RB/NS/ON/BU
- 1018OR00**
OR/OP/PL
- 1018HM00**
HM/NM/CN/FA/TT
- 1018XX00 ***
XX

* XX: Per tutte le altre finiture fattibili riferirsi a questa fascia di prezzo. / Refer to this line of price for all other realizable finishes.

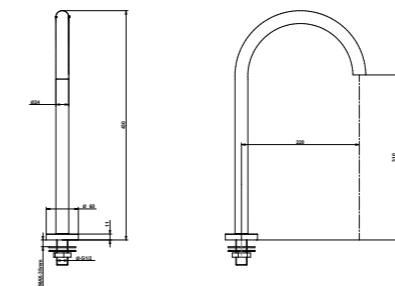
RICAMBI / SPARE PARTS



9379

1018/OH

Bocca lavabo alta. High basin spout.



ARTICOLO COMPLETO / COMPLETE ITEM

- 1018CROH**
CR
- 1018WMOH**
WM/RM/NE/BI/RS/RB/NS/ON/BU
- 1018OROH**
OR/OP/PL
- 1018HMOH**
HM/NM/CN/FA/TT
- 1018XXOH ***
XX

* XX: Per tutte le altre finiture fattibili riferirsi a questa fascia di prezzo. / Refer to this line of price for all other realizable finishes.

RICAMBI / SPARE PARTS



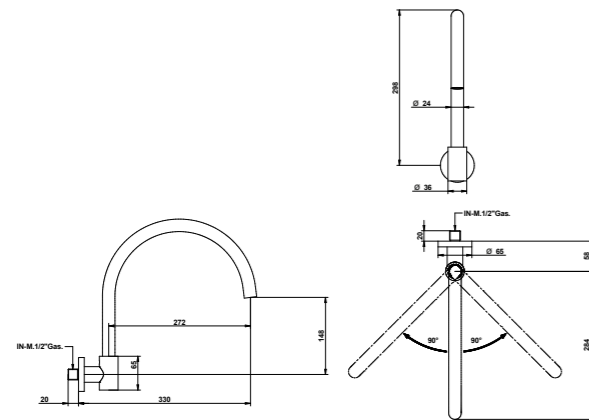
9379

ACCESSORI E RICAMBI / ACCESSORIES AND SPARE PARTS



01019

Bocca a parete girevole / Wall swivel spout



ARTICOLO COMPLETO / COMPLETE ITEM

- 01019CR00**
CR

- 01019WM00**
WM/RM/NE/BI/RS/RB/NS/ON/
BU

- 01019OR00**
OR/OP/PL

- 01019HM00**
HM/NM/CN/FA/TT

- 01019XX00 ***
XX

* XX: Per tutte le altre finiture fattibili riferirsi a questa fascia di prezzo. / Refer to this line of price for all other realizable finishes.

RICAMBI / SPARE PARTS

-  **9379**

SI303BI20 WHITE SWEET IN.GRID

SI303NE40 BLACK SWEET IN.GRID

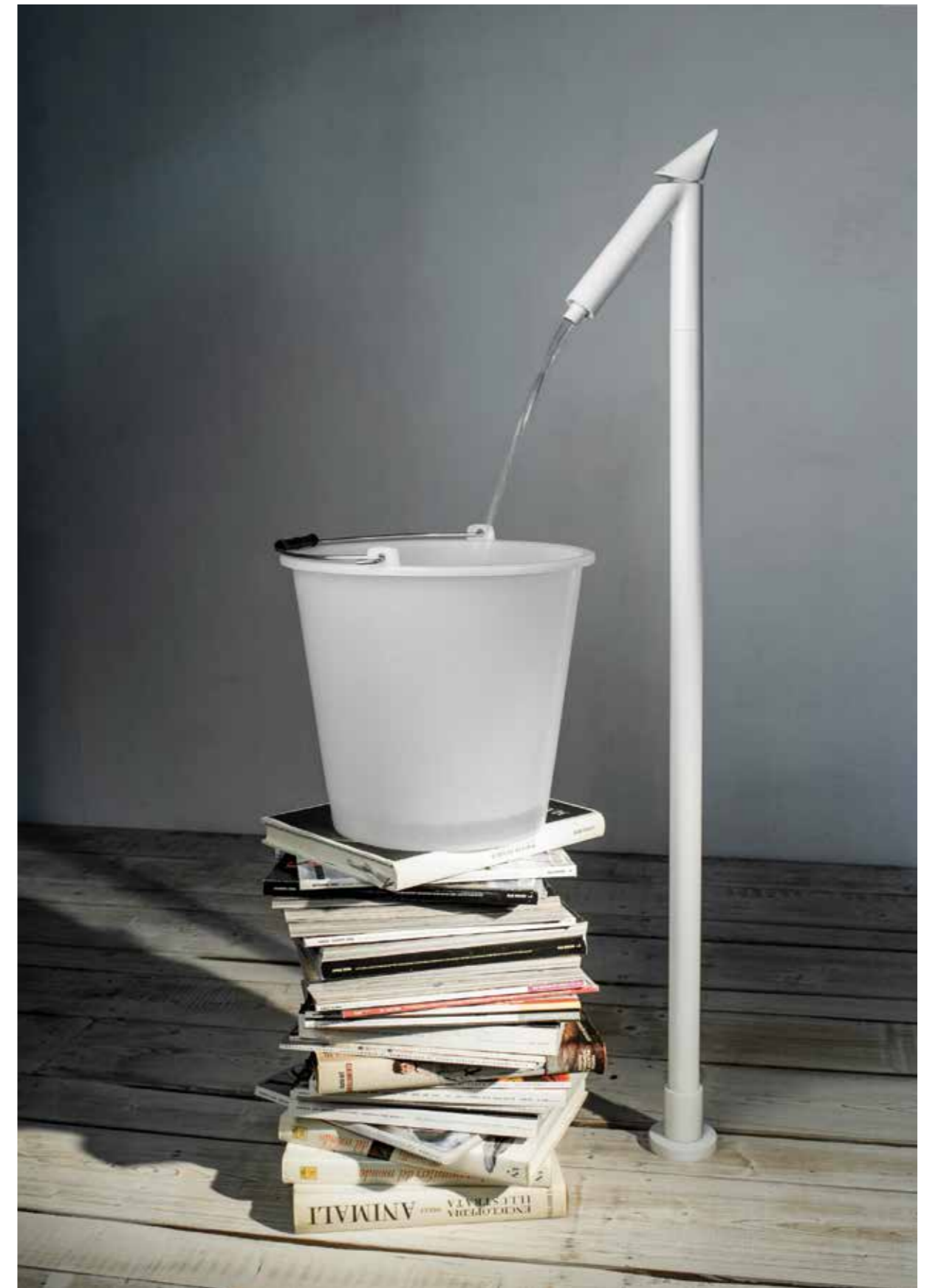
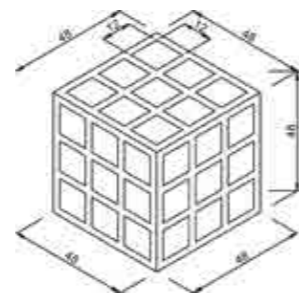
Box contenitore con struttura a griglia laccata. Cuscini in pelle con imbottitura rigida e cuciti con punto a sella. Coperchio con cerniere armonizzate. Rotelle verticali ad incasso.

Box container with lacquered grid structure. Real italian leather pillows with rigid padded, handsewn. Cover with amortized hing. Built in vertical wheels. Base made in bended and welded tubular sheet



ARTICOLO COMPLETO / COMPLETE ITEM

SI303BI20 - SI303NE40



Art. 41533BI00

FINITURE E COLORI / FINISHES AND COLOURS



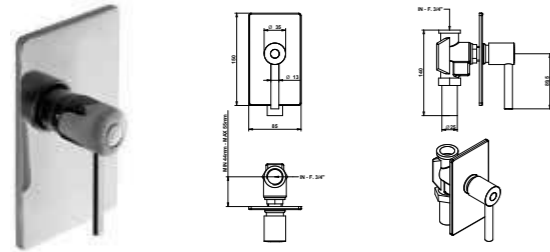
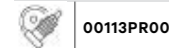
TOILET PLATES

PLACCHE WC E PASSO RAPIDO / TOILET FLUSH CONTROL
PLATE AND RAPID FLOW COCK



53 DA 3/4"

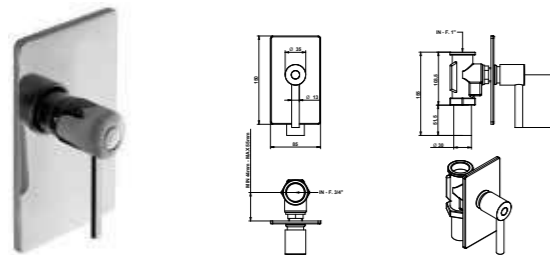
Passo rapido incasso da 3/4". 3/4" built-in rapid flow cock.

**RICAMBI / SPARE PARTS**

Nelle varianti colore verniciate e satinare alcuni particolari saranno in finitura galvanica per garantire gli standard qualitativi. / To assure our quality standard on colored product, some details remain in galvanic finishes.

53 DA 1"

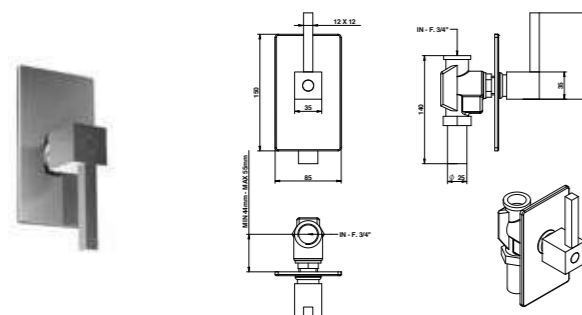
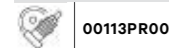
Passo rapido incasso da 1". 1" built-in rapid flow cock.

**RICAMBI / SPARE PARTS**

Nelle varianti colore verniciate e satinare alcuni particolari saranno in finitura galvanica per garantire gli standard qualitativi. / To assure our quality standard on colored product, some details remain in galvanic finishes.

53/Q NEW

Passo rapido incasso da 3/4". 3/4" built-in rapid flow cock.

**RICAMBI / SPARE PARTS**

Nelle varianti colore verniciate e satinare alcuni particolari saranno in finitura galvanica per garantire gli standard qualitativi. / To assure our quality standard on colored product, some details remain in galvanic finishes.

FINITURE E COLORI / FINISHES AND COLOURS**ARTICOLO COMPLETO / COMPLETE ITEM**

00053CR00
CR

PARTE INCASSO
BUILT-IN PART

09499

PARTE ESTERNA DA ABBINARE
EXTERNAL MATCHING PART

FINITURE / FINISHES

00053CREU
CR

00053NSEU
NS/BI/NE/ON/
BU

00053OREU
OR/CN

00053AMEU
AM

00053XXEU *
XX

* XX: Per tutte le altre finiture fattibili riferirsi a questa fascia di prezzo. / Refer to this line of price for all other realizable finishes.

ARTICOLO COMPLETO / COMPLETE ITEM

00053CR01
CR

PARTE INCASSO
BUILT-IN PART

09499/01

PARTE ESTERNA DA ABBINARE
EXTERNAL MATCHING PART

FINITURE / FINISHES

00053CR01EU
CR

00053NS01EU
NS/BI/NE/ON/
BU

00053OR01EU
OR/CN

00053AM01EU
AM

00053XX01EU *
XX

* XX: Per tutte le altre finiture fattibili riferirsi a questa fascia di prezzo. / Refer to this line of price for all other realizable finishes.

ARTICOLO COMPLETO / COMPLETE ITEM

00053CR0Q
CR

PARTE INCASSO
BUILT-IN PART

09499

PARTE ESTERNA DA ABBINARE
EXTERNAL MATCHING PART

FINITURE / FINISHES

00053CROQEU
CR

00053NSOQEU
NS/BI/NE/ON/
BU

00053OROQEU
OR/CN

00053AMOQEU
AM

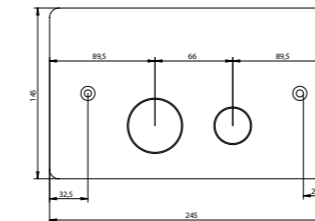
00053XXOQEU *
XX

* XX: Per tutte le altre finiture fattibili riferirsi a questa fascia di prezzo. / Refer to this line of price for all other realizable finishes.

70033

Placca di comando cassetta wc in acciaio spazzolato 316, compatibile con cassetta da incasso Geberit: Sigma 8 - Sigma 12

316 brushed stainless steel toilet flush control plate, compatible with Geberit built-in box: Sigma 8 - Sigma 12

**ARTICOLO COMPLETO / COMPLETE ITEM**

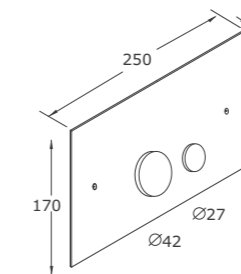
70033AS00
AS

Non disponibile in altre finiture. / Not available in other finishes.

44033

Placca di comando cassetta wc in ottone compatibile con cassetta da incasso Geberit: Sigma 8 e Sigma 12

Toilet flush control plate compatible with Geberit built-in box: Sigma 8 and Sigma 12

**ARTICOLO COMPLETO / COMPLETE ITEM**

44033CR00
CR

44033BI00
BI/NE

44033NS00
NS/ON/BU/RS/WM/RM/RB

44033OR00
OR/AM/FA/TT/NM/HM/BM/CM/IM

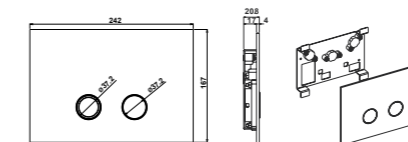
44033XX00 *
XX

* XX: Per tutte le altre finiture fattibili riferirsi a questa fascia di prezzo. / Refer to this line of price for all other realizable finishes.

44034

Placca di comando cassetta wc di design con fissaggio a scomparsa, in ottone compatibile con cassetta da incasso Geberit: SIGMA/8 -- SIGMA 12

Brass toilet flush control plate with no visible fixing, compatible with Geberit built-in system: SIGMA/8 -- SIGMA 12

**ARTICOLO COMPLETO / COMPLETE ITEM**

44034CR00
CR

44034NE00
NE/BI

44034NS00
NS/RM/RB/ON/BU/RS/WM

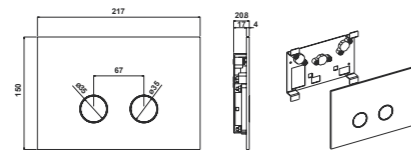
44034OR00
OR/AM/FA/TT/NM/HM/BM/CM/IM

44034XX00 *
XX

* XX: Per tutte le altre finiture fattibili riferirsi a questa fascia di prezzo. / Refer to this line of price for all other realizable finishes.

44035

Placca di comando cassetta wc di design con fissaggio a scomparsa. in ottone compatibile TECE 9370007. Brass desing toilet flush control plate with no visible fixing. compatible with TECE built-in system 9370007.

**ARTICOLO COMPLETO / COMPLETE ITEM**

44035CR00
CR

44035NE00
NE/BI

44035NS00
NS/RM/RB/ON/BU/RS/WM

44035OR00
OR/AM/FA/TT/NM/HM/BM/CM/IM

44035XX00 *
XX

* XX: Per tutte le altre finiture fattibili riferirsi a questa fascia di prezzo. / Refer to this line of price for all other realizable finishes.

50

Tubo di collegamento WC 300 mm Ø 30 mm. WC tubr connection, 300 mms. long. 30 mms. Ø.

**ARTICOLO COMPLETO / COMPLETE ITEM**

00050CR00
CR

00050NS00
NS/NE/BI

00050OR00
OR/CN

00050XX00 *
XX

* XX: Per tutte le altre finiture fattibili riferirsi a questa fascia di prezzo. / Refer to this line of price for all other realizable finishes.



Art. 70944AS00 - Art. 70033AS00

FINITURE E COLORI / FINISHES AND COLOURS

COMPLEMENTS

COMPLEMENTI / COMPLEMENTS

PAG. 1126

Pilette, pilette doccia e sifoni
Waste, showerwaste and siphons

PAG. 1131

Colonne scarico vasca / Bath pop-up waste

PAG. 1132

Coppia rubinetti sotto lavabo e rubinetto d'arresto
Pair of cock under basin and 3/4" cock

PAG. 1133

Prolunghe / Mixers extensions

PAG. 1143

Corpi incasso, piantane lavabo, corpi rubinetti incasso e corpi deviatore
Built-in tap and diverter bodies, basin deck valve

PAG. 1167

Colonnette per vasca / Deck or floor pillar connection

PAG. 1167

Inseri per maniglie / Inserts for handles

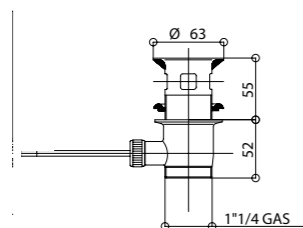
NOTA FINITURE FA / TT: I prodotti nelle finiture Ferro Antico (FA) e Terra di Toscana (TT) vengono realizzati con trattamenti manuali e, data la particolare lavorazione artigianale, possono presentare una colorazione non uniforme.

FINISHES NOTE FA / TT: Products in Ferro Antico (FA) and Terra di Toscana (TT) finish are made with manual treatments and may therefore display colour variations due to the particular craftsmanship.

PILETTE, PILETTE DOCCIA E SIFONI / WASTE, SHOWERWASTE AND SIPHONS

64

Scarico in ottone 1.1/4". 1.1/4" pop-up waste.



ARTICOLO COMPLETO / COMPLETE ITEM

00064CR00

CR

00064NS00

NS/NE/BI/ON/BU

00064OR00

OR/CN

00064AM00

AM

00064XX00 *

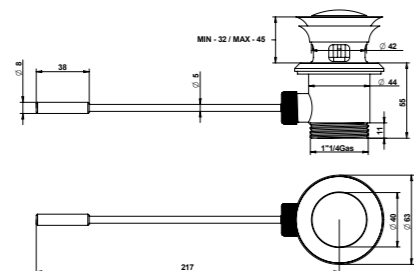
XX

* XX: Per tutte le altre finiture fattibili riferirsi a questa fascia di prezzo. / Refer to this line of price for all other realizable finishes.

Articolo disponibile in tutte le nostre finiture e colori. / Items available in all our finishes and colors.

68

Scarico 1.1/4" con comando a leva. 1.1/4" pop-up waste with lever control.



ARTICOLO COMPLETO / COMPLETE ITEM

00068CR00

CR

00068NS00

NS/NE/BI/ON/BU

00068OR00

OR/CN

00068AM00

AM

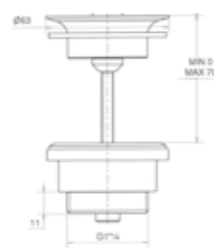
00068XX00 *

XX

* XX: Per tutte le altre finiture fattibili riferirsi a questa fascia di prezzo. / Refer to this line of price for all other realizable finishes.

69

Scarico 1.1/4" a scarico libero. Free 1.1/4" pop-up waste.



ARTICOLO COMPLETO / COMPLETE ITEM

00069CR00

CR

00069NS00

NS/ON/BU

00069BI00

BI/NE

00069OR00

OR/CN

00069AM00

AM

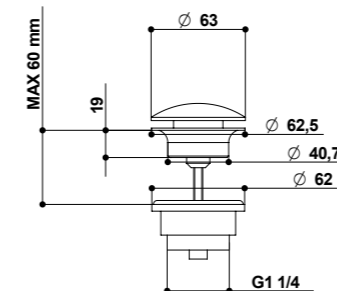
00069XX00 *

XX

* XX: Per tutte le altre finiture fattibili riferirsi a questa fascia di prezzo. / Refer to this line of price for all other realizable finishes.

79

Scarico clic-clac 1.1/4" in ottone. 1.1/4" clic-clac waste.



ARTICOLO COMPLETO / COMPLETE ITEM

00079CR00

CR

00079NS00

NS/PL/BI/NE/ON/RB/BU

00079OR00

OR/CN

00079AM00

AM/OP/FA/TT

00079XX00 *

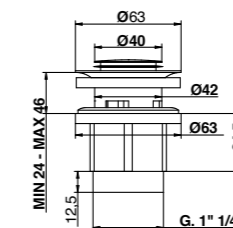
XX

* XX: Per tutte le altre finiture fattibili riferirsi a questa fascia di prezzo. / Refer to this line of price for all other realizable finishes.

Articolo disponibile in tutte le nostre finiture e colori. / Items available in all our finishes and colors.

79/PR

Scarico clic-clac 1.1/4" in ottone. 1.1/4" clic-clac waste.



ARTICOLO COMPLETO / COMPLETE ITEM

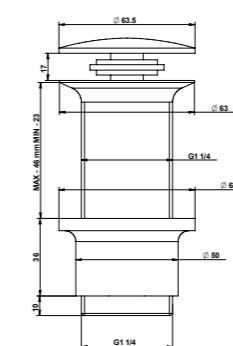
00079CRPR

CR

Non disponibile in altre finiture. / Not available in other finishes.

79/ST

Scarico clic-clac 1.1/4" senza troppo pieno in ottone. 1.1/4" clic-clac waste. without over flow.



ARTICOLO COMPLETO / COMPLETE ITEM

00079CRST

CR

00079NSST

NS/NE/BI/ON/RB/BU

00079ORST

OR/CN

00079AMST

AM/OP/FA/TT

00079XXST *

XX

* XX: Per tutte le altre finiture fattibili riferirsi a questa fascia di prezzo. / Refer to this line of price for all other realizable finishes.

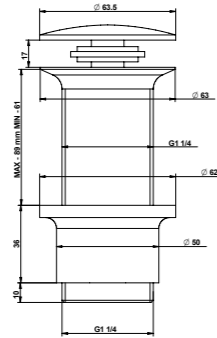
FINITURE E COLORI / FINISHES AND COLOURS



79/SP

Scarico 1.1/4" senza troppo pieno prolungato in ottone.

1.1/4" clic-clac waste extended without overflow.



ARTICOLO COMPLETO / COMPLETE ITEM

00079CRSP
CR

00079NSSP
NS/NE/ON/RB/BU/ON

00079ORSP
OR/CN

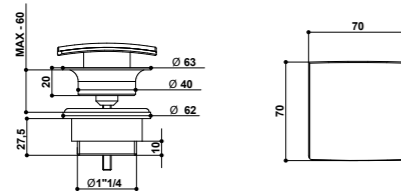
00079AMSP
AM/OP/FA/TT

00079XXSP
XX

79/Q

Scarico clic-clac quadrato 1.1/4" in ottone.

1.1/4" square clic-clac waste.



ARTICOLO COMPLETO / COMPLETE ITEM

00079CR0Q
CR

00079NS0Q
NS/BI/NE

00079OR0Q
OR/CN

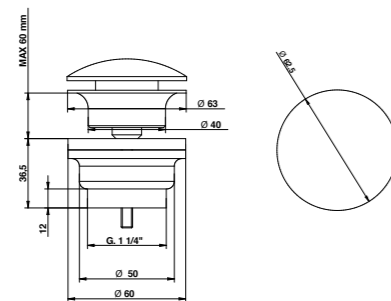
00079AM0Q
AM

00079XX0Q
XX

70071

Scarico in acciaio spazzolato 316, clic clac 1.1/4".

316 brushed stainless steel, clic clac 1.1/4" waste.



ARTICOLO COMPLETO / COMPLETE ITEM

70071AS00
AS

Non disponibile in altre finiture. / Not available in other finishes.

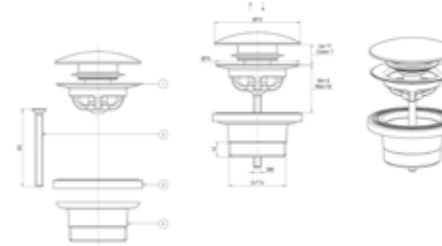
FINITURE E COLORI / FINISHES AND COLOURS



61

Piletta clic-clac per vasca.

Clic-clac waste for bath tube.



ARTICOLO COMPLETO / COMPLETE ITEM

00061CRLV
CR

00061NSLV
NS/BI/NE

00061ORLV
OR/CN

00061AMLV
AM

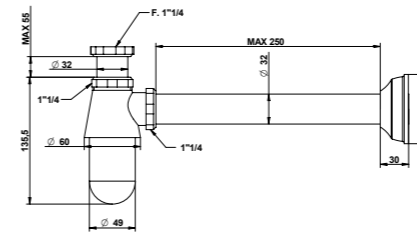
00061XXLV *
XX

* XX: Per tutte le altre finiture fattibili riferirsi a questa fascia di prezzo. / Refer to this line of price for all other realizable finishes.

65

Sifone a bottiglia 1.1/4" con canotto 300 mm.

1.1/4" bottle siphon with 300 mms. tube.



ARTICOLO COMPLETO / COMPLETE ITEM

00065CR00
CR

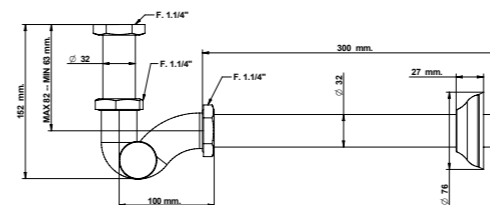
00065NS00
NS/BI/NE

Non disponibile in altre finiture. / Not available in other finishes.

66

Sifone per bidet a S 1.1/4" con canotto 300 mm.

1.1/4" S siphon for bidet with 300 mms. tube.



ARTICOLO COMPLETO / COMPLETE ITEM

00066CR00
CR

00066NS00
NS/BI/NE

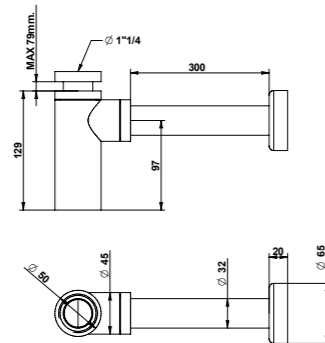
00066XX00 *
XX

* XX: Per tutte le altre finiture fattibili riferirsi a questa fascia di prezzo. / Refer to this line of price for all other realizable finishes.

Articolo disponibile in tutte le nostre finiture e colori. / Items available in all our finishes and colors.

67

Sifone HT 1.1/4" con canotto 300 mm. 1.1/4" HT siphon with 300 mms. tube.



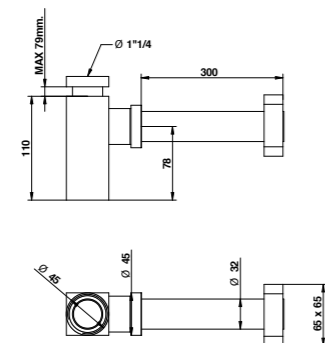
ARTICOLO COMPLETO / COMPLETE ITEM

- 00067CR00**
CR
- 00067NS00**
NS/BI/NE/ON/RB/BU/ON
- 00067OR00**
OR/CN
- 00067AM00**
AM/OP/FA/TT
- 00067XX00 ***
XX

* XX: Per tutte le altre finiture fattibili riferirsi a questa fascia di prezzo. / Refer to this line of price for all other realizable finishes.

67/QU

Sifone 1.1/4" quadrato con canotto 300 mm. 1.1/4" square siphon with 300 mms tube.



ARTICOLO COMPLETO / COMPLETE ITEM

- 00067CRQU**
CR
- 00067NSQU**
NS/BI/NE
- 00067ORQU**
OR/ON
- 00067AMQU**
AM
- 00067XXQU ***
XX

* XX: Per tutte le altre finiture fattibili riferirsi a questa fascia di prezzo. / Refer to this line of price for all other realizable finishes.

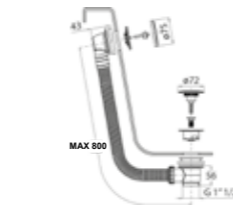
FINITURE E COLORI / FINISHES AND COLOURS



COLONNE SCARICO VASCA / BATH POP-UP WASTE

68062

Colonna scarico vasca con tappo clic-clac. Automatic bath pop-up clic-clac waste.



ARTICOLO COMPLETO / COMPLETE ITEM

- 68062CR00**
CR
- 68062NS00**
NS/BI/NE/PL/NI
- 68062OR00**
OR/CN/ON/BU
- 68062XX00 ***
XX

* XX: Per tutte le altre finiture fattibili riferirsi a questa fascia di prezzo. / Refer to this line of price for all other realizable finishes.

Nelle varianti colore verniciate e satinare alcuni particolari saranno in finitura galvanica per garantire gli standard qualitativi. / To assure our quality standard on colored and satin product, some details remain in galvanic finishes.

73062 NEW

Colonna scarico vasca con tappo clic-clac in acciaio spazzolato 316. 316 brushed steel automatic pop-up bathtub drain column with clic-clac waste.



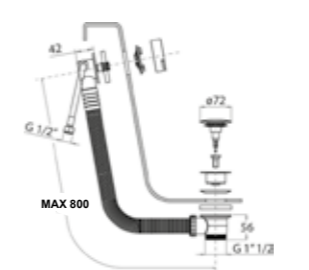
ARTICOLO COMPLETO / COMPLETE ITEM

- 73062AS00**
AS

Non disponibile in altre finiture. / Not available in other finishes.

68063

Colonna scarico vasca con erogazione dal troppo pieno e tappo clic-clac. Automatic pop-up bathtub drain column with water in let through overflow and clic-clac waste.



ARTICOLO COMPLETO / COMPLETE ITEM

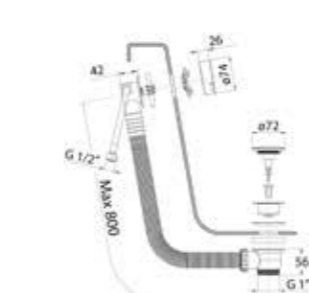
- 68063CR00**
CR
- 68063NS00**
NS/BI/NE
- 68063OR00**
OR/CN/ON/BU
- 68063XX00 ***
XX

* XX: Per tutte le altre finiture fattibili riferirsi a questa fascia di prezzo. / Refer to this line of price for all other realizable finishes.

Nelle varianti colore verniciate e satinare alcuni particolari saranno in finitura galvanica per garantire gli standard qualitativi. / To assure our quality standard on colored and satin product, some details remain in galvanic finishes.

73063 NEW

Colonna scarico vasca con erogazione dal troppopieno e tappo clic clic in acciaio spazzolato 316. 316 brushed steel automatic pop-up bathtub drain column with water inlet through overflow and clic clic waste.



ARTICOLO COMPLETO / COMPLETE ITEM

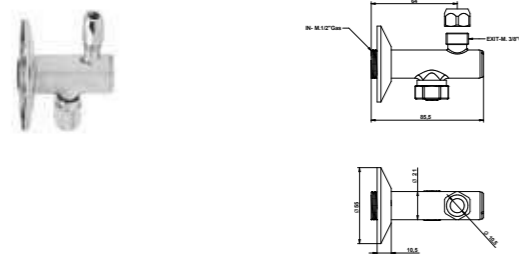
- 73063AS00**
AS

Non disponibile in altre finiture. / Not available in other finishes.

COPPIA RUBINETTI SOTTO LAVABO E RUBINETTO D'ARRESTO
PAIR OF COCK UNDER BASIN AND 3/4" COCK

37

Coppia rubinetti sottolavabo 1/2M con filtro. / Pair of 1/2M valve under basin with filter.



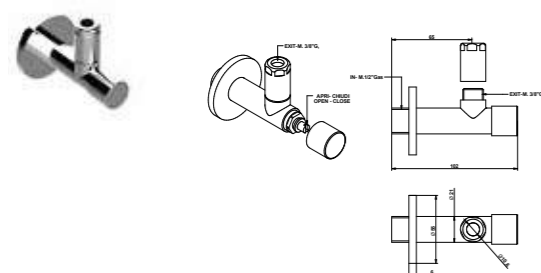
ARTICOLO COMPLETO / COMPLETE ITEM

- 00037CR00**
CR
- 00037NS00**
NS/BI/NE
- 00037OR00**
OR/CN

Non disponibile in altre finiture. / Not available in other finishes.

38

Coppia rubinetti sottolavabo Design con filtro. / Pair of HT valve under basin Design with filter.



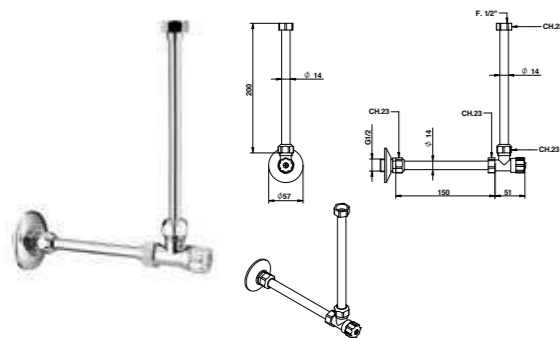
ARTICOLO COMPLETO / COMPLETE ITEM

- 00038CR00**
CR
- 00038NS00**
NS/BI/NE/ON/BU
- 00038OR00**
OR/CN
- 00038AM00**
AM
- 00038XX00 ***
XX

* XX: Per tutte le altre finiture fattibili riferirsi a questa fascia di prezzo. / Refer to this line of price for all other realizable finishes.

41 NEW

Coppia rubinetti sottolavabo regolabili. / Pair of adjustable under-sink angle stop valve.



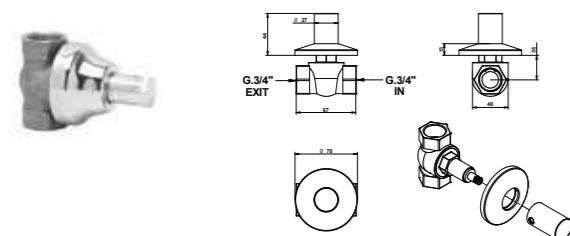
ARTICOLO COMPLETO / COMPLETE ITEM

- 00041CR00**
CR
- 00041NS00**
NS/NE/BI/ON/BU/RB/RS
- 00041OR00**
OR/CN
- 00041XX00 ***
XX

* XX: Per tutte le altre finiture fattibili riferirsi a questa fascia di prezzo. / Refer to this line of price for all other realizable finishes.

30

Rubinetto arresto 3/4". / 3/4" stop cock.



ARTICOLO COMPLETO / COMPLETE ITEM

- 00030CR00**
CR
- 00030NS00**
NS/PL/NI
- 00030OR00**
OR/CN/OP

Non disponibile in altre finiture. / Not available in other finishes.

Proponiamo di acquistare articolo in alternativa 40498 - 15498 / We propose to purchase alternative item 40498 - 15498

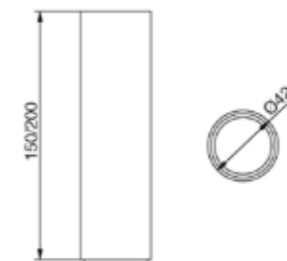
FINITURE E COLORI / FINISHES AND COLOURS



PROLUNGHE / MIXERS EXTENSIONS

930/15-20-25

Prolunga completa / Complete extension



ARTICOLO COMPLETO / COMPLETE ITEM

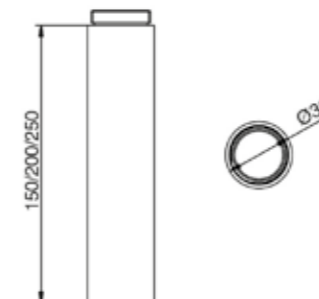
- 00930CR15**
CR
- 00930CR20**
CR
- 00930CR25**
CR
- 00930NS15**
NS/NE/BI/ON/BU
- 00930NS20**
NS/NE/BI/ON/BU
- 00930NS25**
NS/NE/BI/ON/BU
- 00930OR15**
OR
- 00930OR20**
OR
- 00930OR25**
OR
- 00930XX15 ***
XX
- 00930XX20 ***
XX
- 00930XX25 ***
XX

* XX: Per tutte le altre finiture fattibili riferirsi a questa fascia di prezzo. / Refer to this line of price for all other realizable finishes.

Per art. / For item: 32521 - 32532 - 52321 - 52532

935/15-20-25

Prolunga completa / Complete extension



ARTICOLO COMPLETO / COMPLETE ITEM

- 00935CR15**
CR
- 00935CR20**
CR
- 00935CR25**
CR
- 00935BI15**
BI/NE/NS
- 00935BI20**
BI/NE/NS
- 00935BI25**
BI/NE/NS
- 00935XX15 ***
XX
- 00935XX20 ***
XX
- 00935XX25 ***
XX

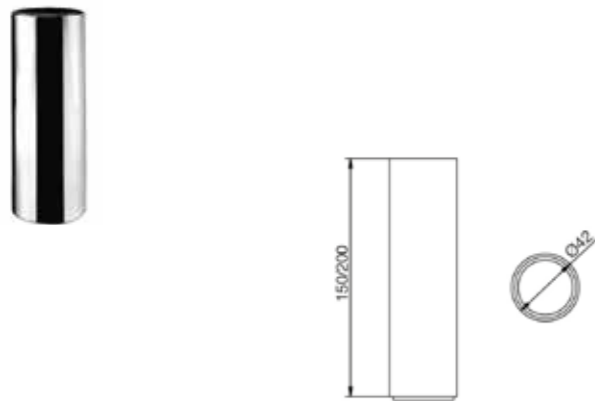
* XX: Per tutte le altre finiture fattibili riferirsi a questa fascia di prezzo. / Refer to this line of price for all other realizable finishes.

Articolo disponibile in tutti i colori della serie Mini One. / Items available in all Mini One colors.

Per art. / For item: 41521 - 41532

940/15

Prolunga completa Complete extension



ARTICOLO COMPLETO / COMPLETE ITEM

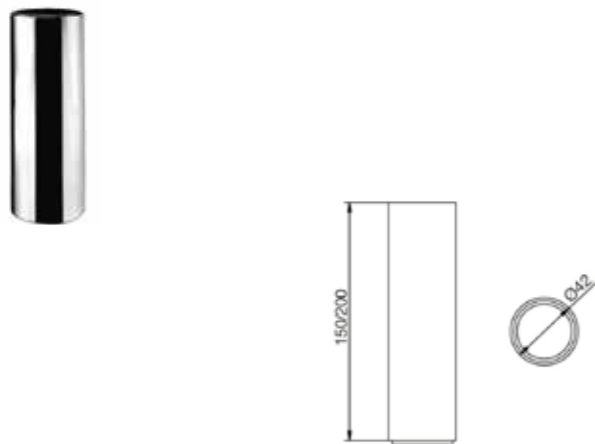
- 00940CR15**
CR
- 00940NS15**
NS/PL/BI/NE/ON/BU
- 00940XX15 ***
XX

* XX: Per tutte le altre finiture fattibili riferirsi a questa fascia di prezzo. / Refer to this line of price for all other realizable finishes.

Per art. / For item: **14521 - 14532 - 82521 - 82532**

942/15-20

Prolunga completa Complete extension



ARTICOLO COMPLETO / COMPLETE ITEM

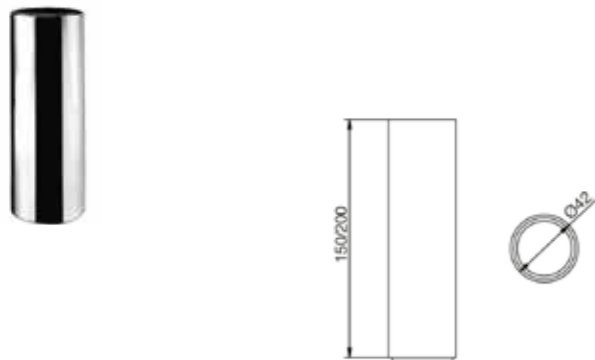
- 00942CR15**
CR
- 00942CR20**
CR
- 00942NS15**
NS/BI/NE/RB/ON/BU
- 00942NS20**
NS/BI/NE/RB/ON/BU
- 00942OR15**
OR
- 00942OR20**
OR
- 00942XX15 ***
XX
- 00942XX20 ***
XX

* XX: Per tutte le altre finiture fattibili riferirsi a questa fascia di prezzo. / Refer to this line of price for all other realizable finishes.

Per art. / For item: **32581 - 32583 - 07581 - 07583**

941/15

Prolunga completa Complete extension



ARTICOLO COMPLETO / COMPLETE ITEM

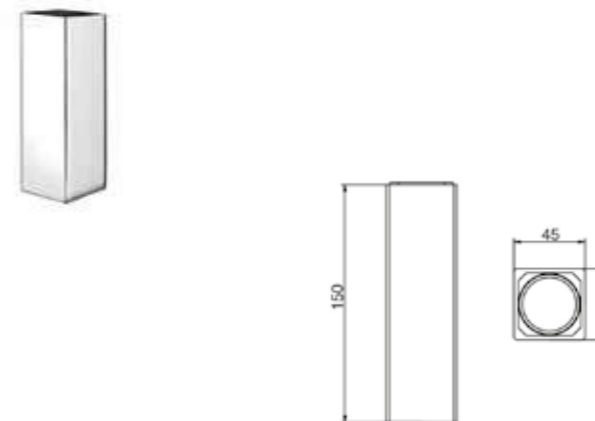
- 00941CR15**
CR

Non disponibile in altre finiture. / Not available in other finishes.

Per art. / For item: **07521 - 07532**

932/15

Prolunga completa 150 mm 150 mms. complete extension



ARTICOLO COMPLETO / COMPLETE ITEM

- 00932CR15**
CR
- 00932NE15**
NE
- 00932OR15**
OR/CN
- 00932XX15 ***
XX

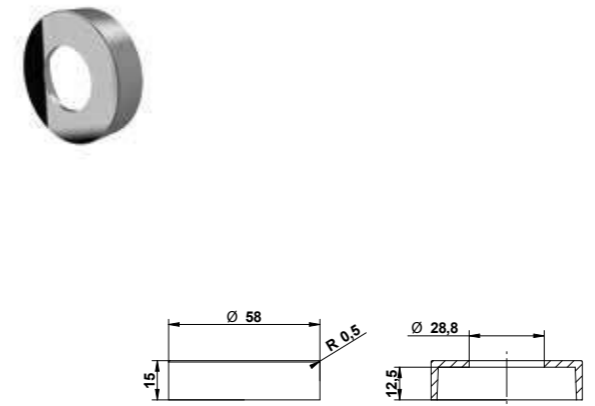
* XX: Per tutte le altre finiture fattibili riferirsi a questa fascia di prezzo. / Refer to this line of price for all other realizable finishes.

Non disponibile in BU / Not available BU

Per art. / For item: **01521 - 01532 - 53521 - 53532**

82

Rosone di prolunga mm. 15 per rubinetto incasso 15 mms. flange extension for builtin tap



ARTICOLO COMPLETO / COMPLETE ITEM

- 00082CR00**
CR
- 00082NS00**
NS/NE/BI/RB/ON/BU
- 00082OR00**
OR/CN
- 00082XX00 ***
XX

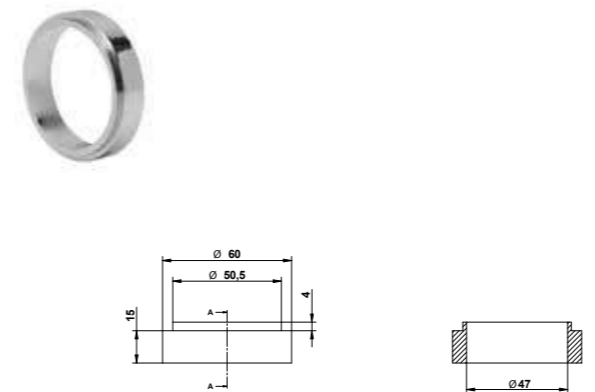
* XX: Per tutte le altre finiture fattibili riferirsi a questa fascia di prezzo. / Refer to this line of price for all other realizable finishes.

Da usare in caso di insufficiente incasso. / To be used in case of too short built-in.

Per art. / For item: **40500 - 40500/R - 40498 - 40498/R - 40538 - 40525 - 30400 - 30498 - 30438 - 30425 - 31400 - 31498 - 31438 - 31425 - 42400 - 42498 - 42438 - 42425**

82/CS CLASSIC

Rosone di prolunga mm. 15 per rubinetto incasso per serie classiche 15 mms. flange extension for builtin tap for classical collection



ARTICOLO COMPLETO / COMPLETE ITEM

- 00082CRCS**
CR
- 00082NSCS**
NS
- 00082ORCS**
OR
- 00082XXCS ***
XX

* XX: Per tutte le altre finiture fattibili riferirsi a questa fascia di prezzo. / Refer to this line of price for all other realizable finishes.

Da usare in caso di insufficiente incasso. / To be used in case of too short built-in.

Per art. / For item: **06500 - 65500 - 06498 - 65498 - 06538 - 65538 - 06525 - 66525 - 12500 - 11/12498 - 11/12538 - 11/12525 - 11500 - 04500 - 04498 - 04538 - 04525 - 05500 - 05498 - 05538 - 05525 - 02500 - 02498 - 02538 - 02525 - 15500 - 15498 - 15538 - 15525 - 19500 - 19/22/17498 - 19/22/17538 - 19/22/17525 - 22500 - 17500**

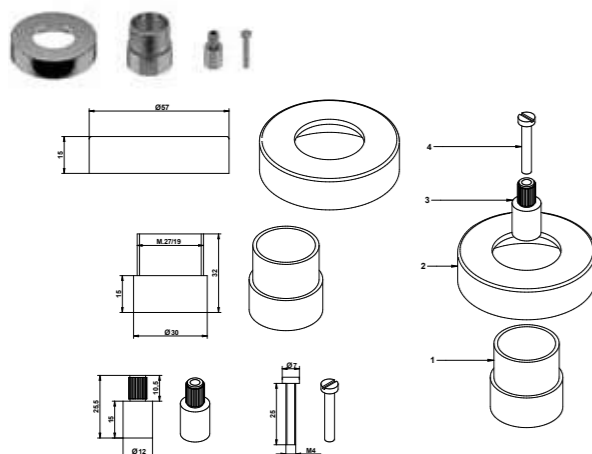
FINITURE E COLORI / FINISHES AND COLOURS



83

Prolunga 15 mm per rubinetto incasso e deviatore

15 mms. extension for built-in tap and diverter



ARTICOLO COMPLETO / COMPLETE ITEM

- 00083CR00
CR
- 00083NS00
NS/NE/BI/RB/ON/BU
- 00083OR00
OR/CN
- 00083XX00 *
XX

* XX: Per tutte le altre finiture fattibili riferirsi a questa fascia di prezzo. / Refer to this line of price for all other realizable finishes.

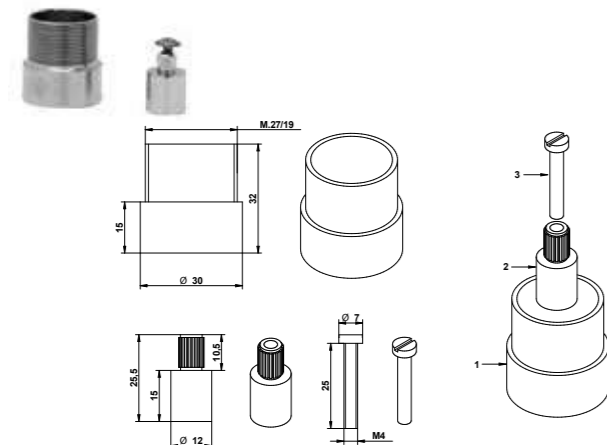
Da usare in caso di eccessivo incasso. / To be used in case of excessive built-in.

Per art. / For item: 40500 - 40500/R - 40525/R - 40525/5 - 40538 - 40498 - 30400 - 30425 - 30425/5 - 30438 - 30498 - 31400 - 31425 - 31425/5 - 31438 - 31498 - 42400 - 42425 - 42425/5 - 42438 - 42498

83/CS CLASSIC

Prolunga 15 mm per rubinetto incasso e deviatore per serie classiche.

15 mms flange extension for built-in tap for classical collection.



ARTICOLO COMPLETO / COMPLETE ITEM

- 0008300CS

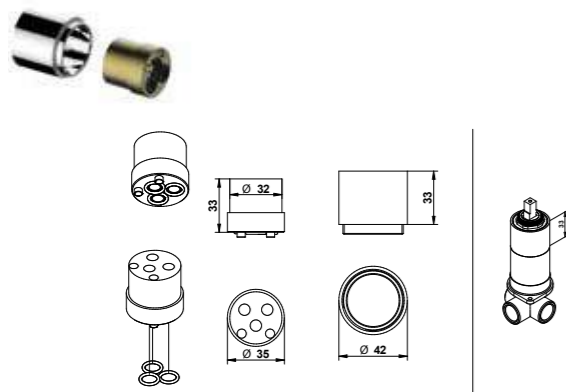
Da usare in caso di eccessivo incasso. / To be used in case of excessive built-in.

Per art. / For item: 06500 - 65550 - 06525 - 06525/5 - 06498 - 65498 - 06538 - 65538 - 12500 - 12525 - 12525/5 - 12498 - 12538 - 11500 - 11525 - 11525/5 - 11498 - 11538 - 04500 - 04525 - 04525/5 - 04498 - 04538 - 05500 - 05525 - 05525/5 - 05498 - 05538 - 02500 - 02525 - 02525/5 - 02498 - 02538 - 15500 - 15525 - 15525/5 - 15498 - 15538 - 19/22/17500 - 19/22/17525 - 19/22/17525/5

100/PRPR

Prolunga 33 mm per miscelatore

33 mms extension for built-in mixer



ARTICOLO COMPLETO / COMPLETE ITEM

- 00100CRPRPR
CR
- 00100NSPRPR
NS/BI/NE/ON/BU
- 00100ORPRPR
OR/FA/CN
- 00100AMPRPR
AM/TT/BM
- 00100XXPRPR *
XX

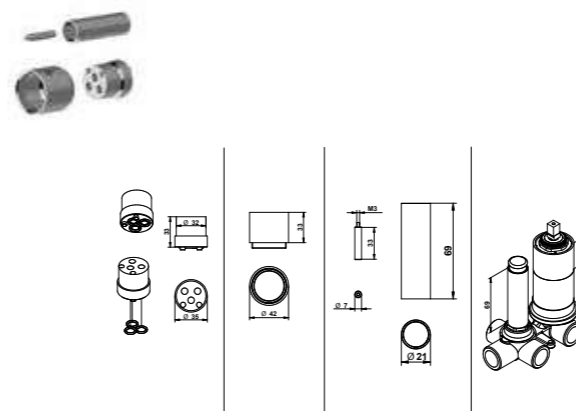
* XX: Per tutte le altre finiture fattibili riferirsi a questa fascia di prezzo. / Refer to this line of price for all other realizable finishes.

Per art. / For item: ..524 - ..538 - ..324 - ..338

102/PRPR

Prolunga 33 mm per miscelatore con deviatore automatico

33 mms extension for built-in shower mixer with automatic diverter



ARTICOLO COMPLETO / COMPLETE ITEM

- 00102CRPRPR
CR
- 00102NSPRPR
NS/NE/BI/ON/BU
- 00102ORPRPR
OR/FA/CN
- 00102AMPRPR
AM/BM/TT
- 00102XXPRPR *
XX

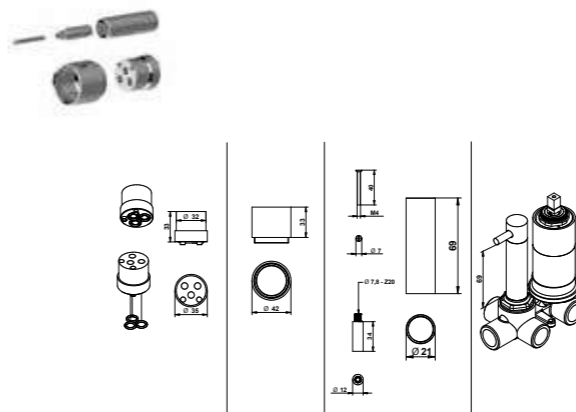
* XX: Per tutte le altre finiture fattibili riferirsi a questa fascia di prezzo. / Refer to this line of price for all other realizable finishes.

Per art. / For item: ..529 - ...329 - ..549

102/PRP3

Prolunga 33 mm per miscelatore incasso con deviatore meccanico

33 mms extension for built-in mixer with mechanical diverter



ARTICOLO COMPLETO / COMPLETE ITEM

- 00102CRPRP3
CR
- 00102NSPRP3
NS/NE/ON/BU/BI
- 00102ORPRP3
OR/CN
- 00102XXPRP3 *
XX

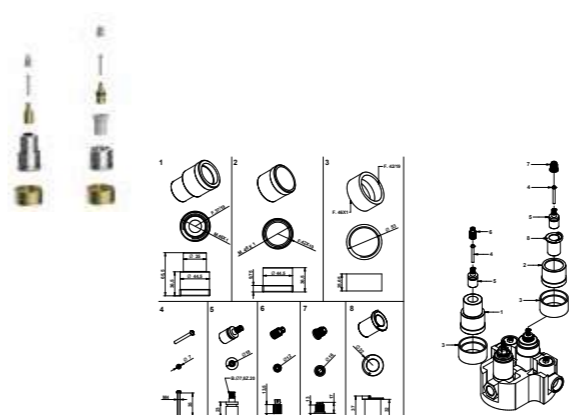
* XX: Per tutte le altre finiture fattibili riferirsi a questa fascia di prezzo. / Refer to this line of price for all other realizable finishes.

Per art. / For item: ..519 - ..519/3 - ...319 - ...319/3 - ..569 - ..569/3

105/TCPR

Prolunga 10 mm per miscelatore termostatico doccia incasso 544

10 mms extension for built-in shower thermostatic shower mixer 544



ARTICOLO COMPLETO / COMPLETE ITEM

- 000105CRTCP
CR
- 000105NSTCPR
NS/NE/BI/ON/BU
- 000105XXTCPR *
XX

* XX: Per tutte le altre finiture fattibili riferirsi a questa fascia di prezzo. / Refer to this line of price for all other realizable finishes.

Per art. / For item: 30544 - 31544 - 42544 - 15544 - 19/22/17544

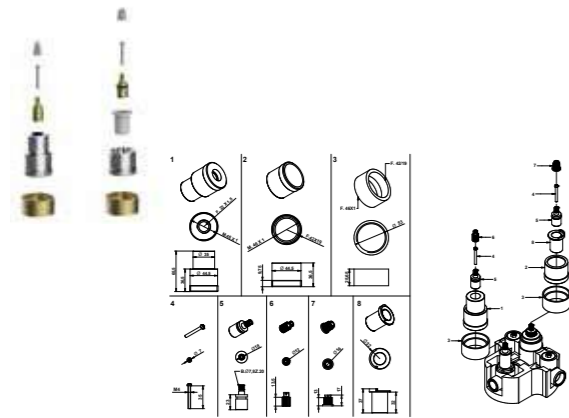
FINITURE E COLORI / FINISHES AND COLOURS



105/TC49PR

Prolunga 10 mm per miscelatore termostatico incasso con deviatore a 2 uscite. 549 - 549/3

10 mms extension for built-in thermostatic mixer with 2 way diverter. 549 - 549/3

**ARTICOLO COMPLETO / COMPLETE ITEM**

00105CRTC49PR
CR

00105NSTC49PR
NS/NE/BI/ON/BU

00105ORTC49PR
OR

00105XXTC49PR *
XX

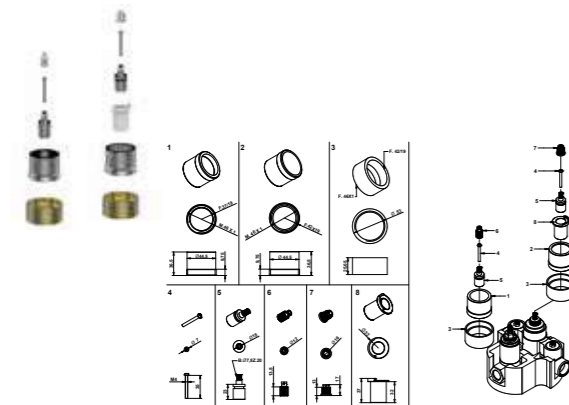
* XX: Per tutte le altre finiture fattibili riferirsi a questa fascia di prezzo. / Refer to this line of price for all other realizable finishes.

Per art. / For item: **30549 - 30549/3 - 31549 - 42549 - 42549/3 - 15549 - 15549/3 - 19/22/17549**

105/CAPR

Prolunga 10 mm per miscelatore termostatico doccia incasso. 544 per collezioni classiche.

10 mms extension for built-in shower thermostatic shower mixer. 544 for classic collections.

**ARTICOLO COMPLETO / COMPLETE ITEM**

00105CRCAPR
CR

00105NSCAPR
NS/NE/BI/ON/BU

00105ORCAPR
OR

00105XXCAPR *
XX

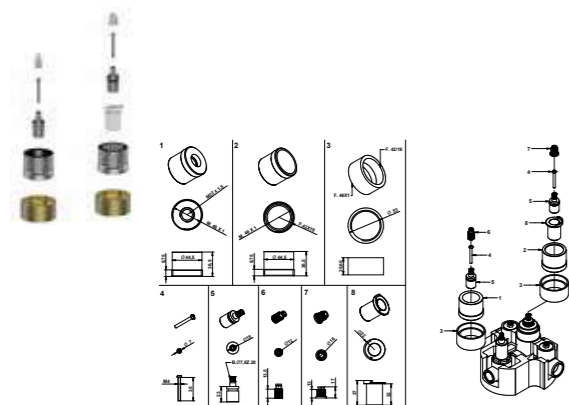
* XX: Per tutte le altre finiture fattibili riferirsi a questa fascia di prezzo. / Refer to this line of price for all other realizable finishes.

Per art. / For item: **04544 - 05544 - 11544 - 12544 - 06544 - 65544 - 02544**

105/CA49PR

Prolunga 10 mm per miscelatore termostatico incasso con deviatore a 2 uscite. 549 - 549/3 per collezioni classiche.

10 mms extension for built-in thermostatic mixer with 2 way diverter. 549 - 549/3 for classic collections.

**ARTICOLO COMPLETO / COMPLETE ITEM**

00105CRCA49PR
CR

00105NSCA49PR
NS/NE/BI/ON/BU

00105ORCA49PR
OR

00105AMCA49PR
AM

00105XXCA49PR *
XX

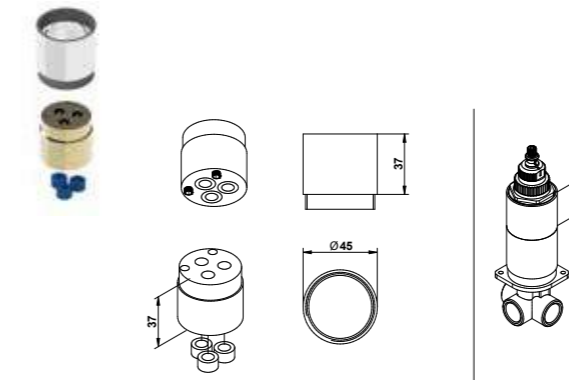
* XX: Per tutte le altre finiture fattibili riferirsi a questa fascia di prezzo. / Refer to this line of price for all other realizable finishes.

Per art. / For item: **04549 - 04549/3 - 05549 - 05549/3 - 11/12549 - 11/12549/3 - 06/65549 - 06/65549/3 - 02549 - 02549/3**

107/PR

Prolunga 37 mm per miscelatore doccia termostatico coassiale per art. 544

37 mms extension for built-in coaxial thermostatic shower mixer for items 544

**ARTICOLO COMPLETO / COMPLETE ITEM**

000107CRPR
CR

000107NSPR
NS/NE/BI/ON/BU

000107ORPR
OR/CN

000107XXPR *
XX

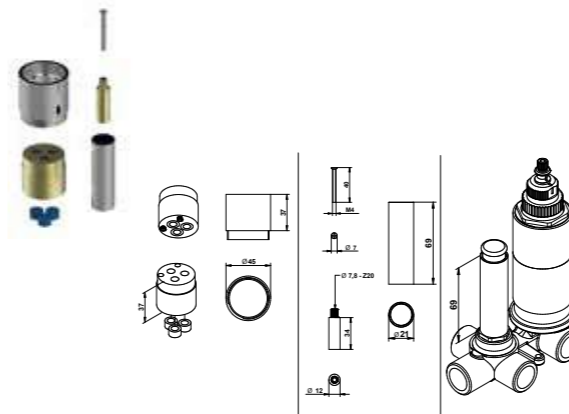
* XX: Per tutte le altre finiture fattibili riferirsi a questa fascia di prezzo. / Refer to this line of price for all other realizable finishes.

Per art. / For item: **32544 - 67544 - 38544 - 63544 - 43544 - 64544 - 52544**

108/PR

Prolunga 37 mm per miscelatore doccia Ø 40 con deviatore automatico per art. 549

37 mms extension for Ø 40 built-in shower mixer with automatic diverter for items 549

**ARTICOLO COMPLETO / COMPLETE ITEM**

000108CRPRPR
CR

000108NSPRPR
NS/NE/BI/ON/BU

000108ORPRPR
OR/CN

000108XXPRPR *
XX

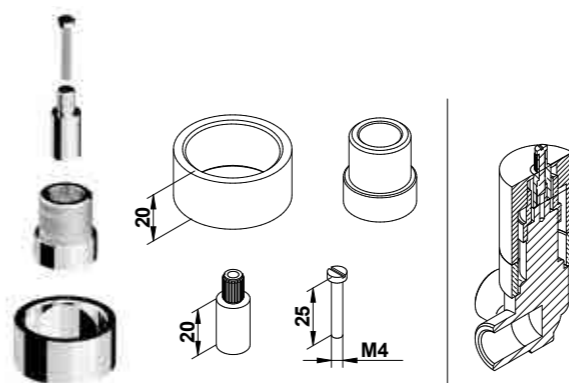
* XX: Per tutte le altre finiture fattibili riferirsi a questa fascia di prezzo. / Refer to this line of price for all other realizable finishes.

Per art. / For item: **32549 - 67549 - 43549 - 63549 - 64549 - 52549**

109/PR

Prolunga 20 mm per deviatore incasso (1 entrata - 2 uscite e 1 entrata - 3 uscite)

20 mms extension for diverter (1 in - 2 out and 1 in - 3 out)

**ARTICOLO COMPLETO / COMPLETE ITEM**

000109CRPR
CR

000109NSPR
NS/NE/BI/ON/BU

000109ORPR
OR

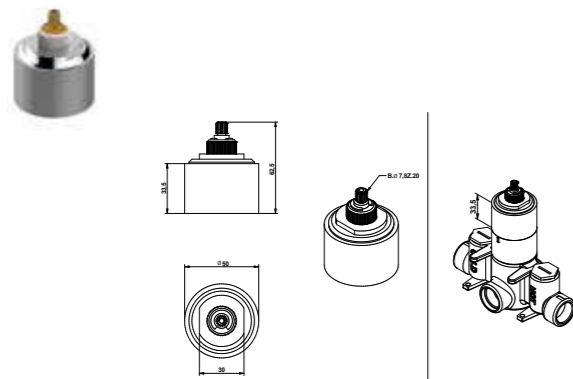
000109XXPR
XX

Per art. / For item: **38556 - 38556/3 - 38525 - 38525/3 - 63525 - 63525/3 - 63556 - 63556/3 - 43525 - 43525/3 - 30556 - 30556/3 - 31556 - 31556/3 - 42556 - 42556/3 - 64525/2PR - 64525/3PR - 68525/2PR - 68525/3PR - 68556 - 68556/3PR - 67525/2PR - 67525/3PR - 32/52525/2PR - 32/52525/3PR - 06/6556 - 11/12556 - 04556 - 05556 - 02556**

FINITURE E COLORI / FINISHES AND COLOURS

111/PR

Prolunga 33 mm per miscelatore termostatico incasso senza chiusura
33 mms extension for thermostatic built-in mixer without lock



ARTICOLO COMPLETO / COMPLETE ITEM

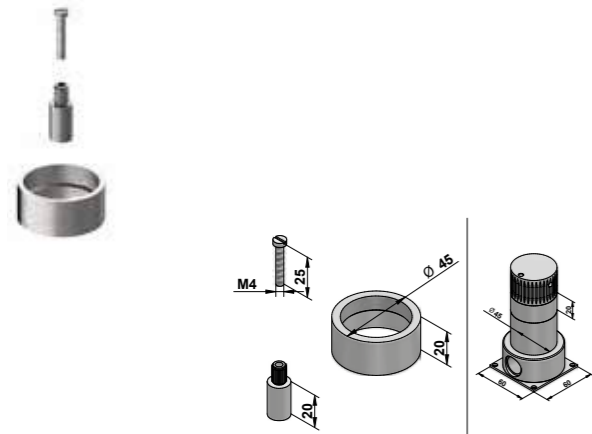
00111CRPR
CR
00111NSPR
NS/NE/BI/ON/BU
00111CNPR
CN/OR
00111XXPR*
XX

* XX: Per tutte le altre finiture fattibili riferirsi a questa fascia di prezzo. / Refer to this line of price for all other realizable finishes.

Per art. / For item: **40554 - 15554**

99/ASPR TIME2020

Prolunga 20 mm per miscelatore incasso e deviatore.
20 mms extension for built-in mixer and diverter.



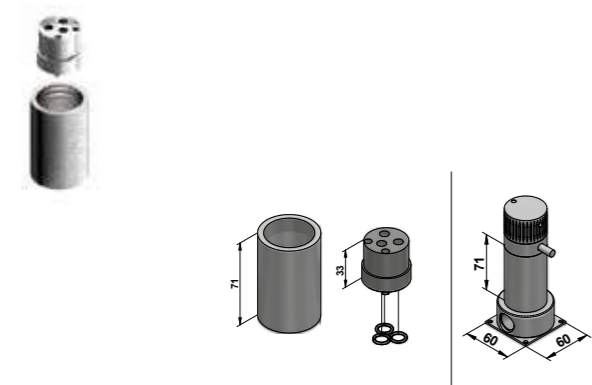
ARTICOLO COMPLETO / COMPLETE ITEM

00099ASPR
AS
00099NEPR
NE

Per art. / For item: **70539 - 70524 - 70977/RM - 70525**

94/ASPR TIME2020

Prolunga 33 mm per miscelatore incasso termostatico
33 mms extension for built-in thermostatic mixer



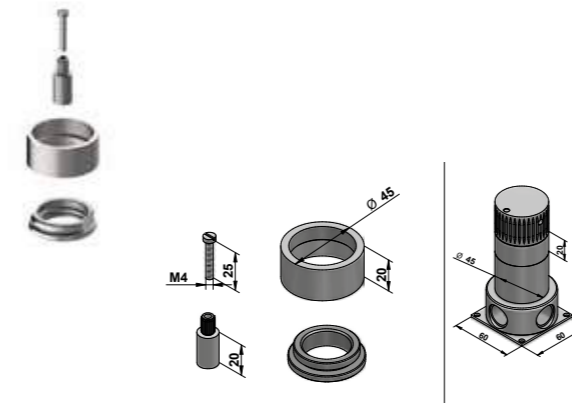
ARTICOLO COMPLETO / COMPLETE ITEM

00094ASPR
AS
00094NEPR
NE

Per art. / For item: **70544 - 73544**

98/ASPR TIME2020

Prolunga 20 mm per deviatore incasso
20 mms extension for built-in diverter



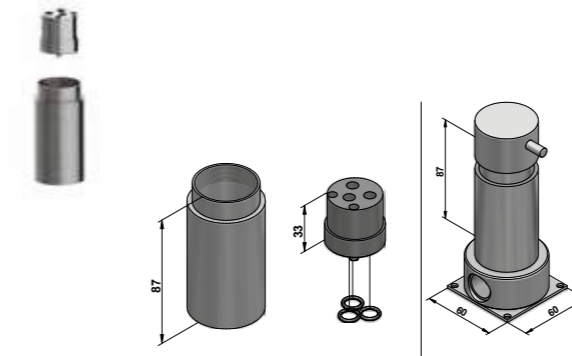
ARTICOLO COMPLETO / COMPLETE ITEM

00098ASPR
AS
00098NEPR
NE

Per art. / For item: **70525/3 - 73525/3 - 69525/3**

96/ASPR TIME2020

Prolunga 33 mm per miscelatore incasso e deviatore.
33 mms extension for built-in mixer and diverter.



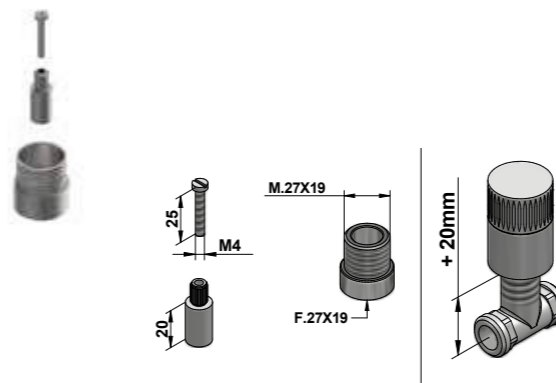
ARTICOLO COMPLETO / COMPLETE ITEM

00096ASPR
AS
00096NEPR
NE

Per art. / For item: **71539 - 71977/RM - 71524 - 73539 - 73977/RM - 73524 - 69539 - 69977/RM - 69524 - 71525 - 73525 - 69525**

93/ASPR TIME2020

Prolunga 20 mm per gruppo lavabo
20 mms extension for wall basin



ARTICOLO COMPLETO / COMPLETE ITEM

00093ASPR
AS

Per art. / For item: **71540 - 73540 - 69540 - 71500 - 73500**

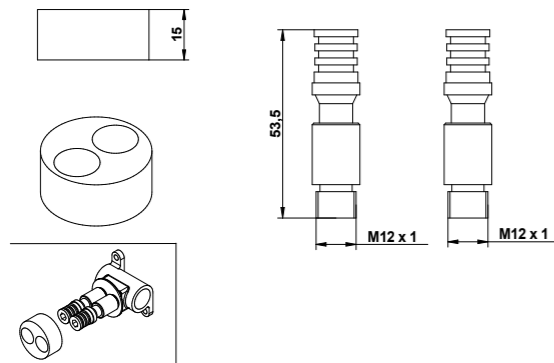
FINITURE E COLORI / FINISHES AND COLOURS



CORPI INCASSO, PIANTANE LAVABO, CORPI RUBINETTI INCASSO E CORPI DEVIATORE / BUILT-IN TAP AND DIVERTER BODIES, BASIN DECK VALVE

916/PR TIME2020

Prolunga 15 mm per corpo incasso 15 mms extention for built-in body



ARTICOLO COMPLETO / COMPLETE ITEM

000916CRPR
CR

000916NSPR
NS/NE/BI/ON/BU

000916ORPR
OR/CN

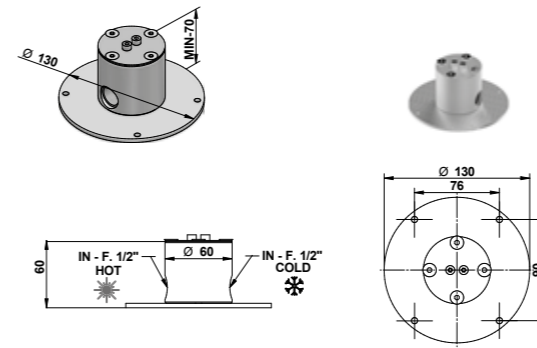
000916XXPR *
XX

* XX: Per tutte le altre finiture fattibili riferirsi a questa fascia di prezzo. / Refer to this line of price for all other realizable finishes.

Per art. / For item: ..915 - ..916

9698/AS TIME2020

Corpo incasso Built-in body



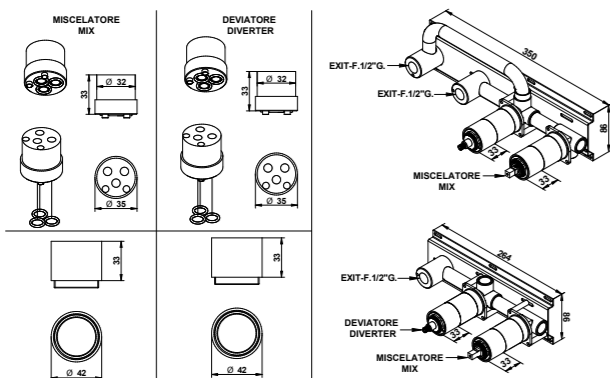
ARTICOLO COMPLETO / COMPLETE ITEM

09698AS00
AS

Per art. / For item: 70533

68113/PR

Prolunga 33 mm per corpo incasso 33 mms extention for built-in body



ARTICOLO COMPLETO / COMPLETE ITEM

68113CRPR
CR

68113NSPR
NS/NE/BI/ON/BU

68113ORPR
OR/CN

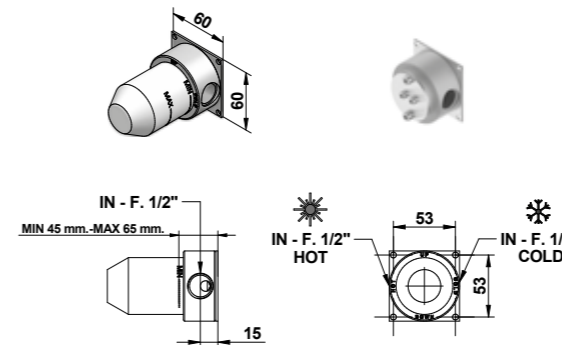
68113XPR *
XX

* XX: Per tutte le altre finiture fattibili riferirsi a questa fascia di prezzo. / Refer to this line of price for all other realizable finishes.

Per art. / For item: ..551/PR - ..552/PR

9695/AS TIME2020

Corpo incasso Built-in body



ARTICOLO COMPLETO / COMPLETE ITEM

09695AS00
AS

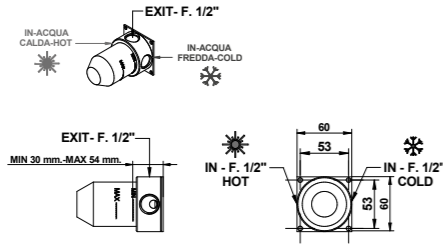
Per art. / For item: 70538

FINITURE E COLORI / FINISHES AND COLOURS



9693/AS TIME2020

Corpo incasso Built-in body



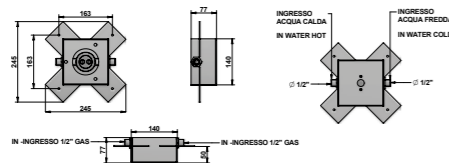
ARTICOLO COMPLETO / COMPLETE ITEM

09693AS00
AS
09693NE00
NE

Per art. / For item: **70539 - 70977/RM - 70524**

9646/AS TIME2020

Corpo incasso Built-in body



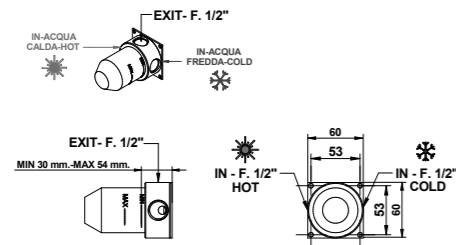
ARTICOLO COMPLETO / COMPLETE ITEM

09646AS00
AS

Per art. / For item: **70977/M**

9697/AS TIME2020

Corpo incasso Built-in body



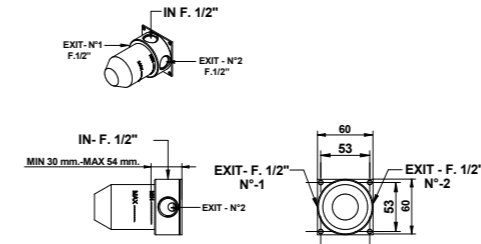
ARTICOLO COMPLETO / COMPLETE ITEM

09697AS00
AS
09697NE00
NE

Per art. / For item: **70544 - 73544**

9696/AS TIME2020

Corpo incasso Built-in body



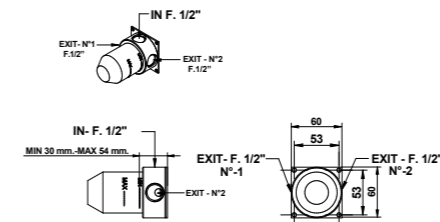
ARTICOLO COMPLETO / COMPLETE ITEM

09696AS00
AS
09696NE00
NE

Per art. / For item: **70525**

9696/AS71 TIME2020

Corpo incasso Built-in body



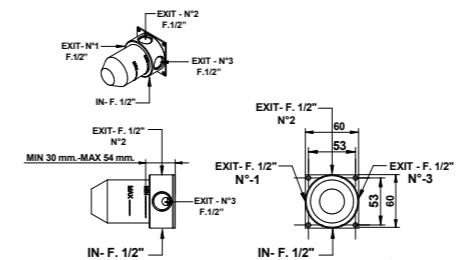
ARTICOLO COMPLETO / COMPLETE ITEM

09696AS71
AS
09696NE71
NE

Per art. / For item: **71525 - 73525 - 69525**

9696/AS3 TIME2020

Corpo incasso Built-in body



ARTICOLO COMPLETO / COMPLETE ITEM

09696AS03
AS

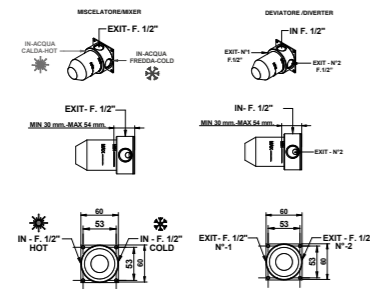
Per art. / For item: **70525/3-73525/3-69525/3**

FINITURE E COLORI / FINISHES AND COLOURS



9691/AS TIME2020

Corpo incasso Built-in body



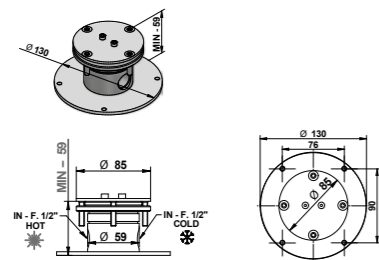
ARTICOLO COMPLETO / COMPLETE ITEM

09691AS00
AS

Per art. / For item: **70530/D**

9744/AS TIME2020

Corpo incasso Built-in body



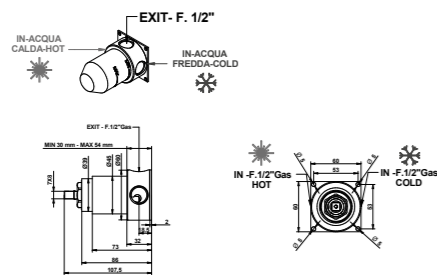
ARTICOLO COMPLETO / COMPLETE ITEM

09744AS00
AS

Per art. / For item: **70534/D - 70131/D - 71534/D - 71131/D - 73534/D - 73131/D - 69534/D - 69131/D**

9689/AS TIME2020

Corpo incasso Built-in body



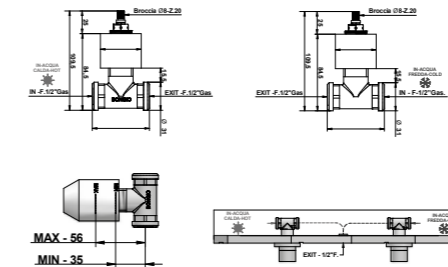
ARTICOLO COMPLETO / COMPLETE ITEM

09689AS00
AS

Per art. / For item: **71539 - 71977/RM - 71524 - 73539 - 73524 - 69539 - 69977/RM - 69524**

9688 TIME2020

Corpo incasso Built-in body



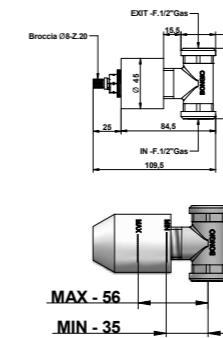
ARTICOLO COMPLETO / COMPLETE ITEM

09688000
AS

Per art. / For item: **71540 - 73540 - 69540**

9686

Corpo incasso Built-in body



ARTICOLO COMPLETO / COMPLETE ITEM

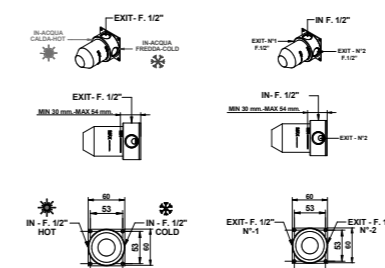
09686AS00
AS

09686NE00
NE

Per art. / For item: **71500 - 73500**

9687/AS TIME2020

Corpo incasso Built-in body



ARTICOLO COMPLETO / COMPLETE ITEM

09687AS00
AS

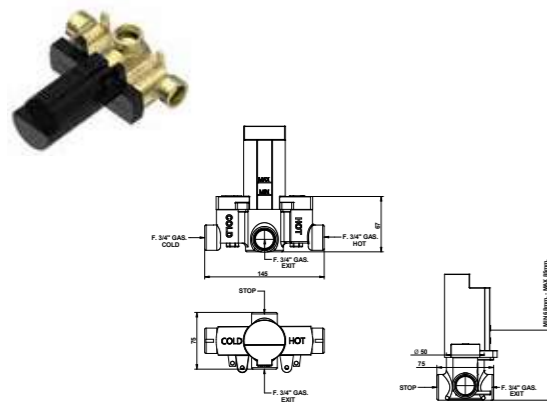
Per art. / For item: **71530 - 73530 - 69530**

FINITURE E COLORI / FINISHES AND COLOURS



9700

Corpo incasso per miscelatore termostatico da 3/4" **senza chiusura**. Built-in body for 3/4" thermostatic mixer **without lock**.



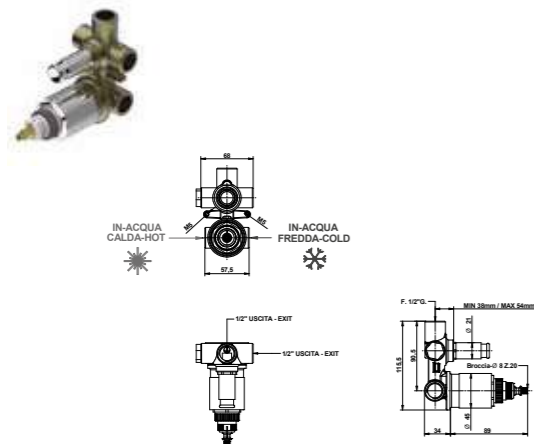
ARTICOLO COMPLETO / COMPLETE ITEM

097000000

Per art. / For item: **40554 - 15554**

9712

Corpo incasso Built-in body



ARTICOLO COMPLETO / COMPLETE ITEM

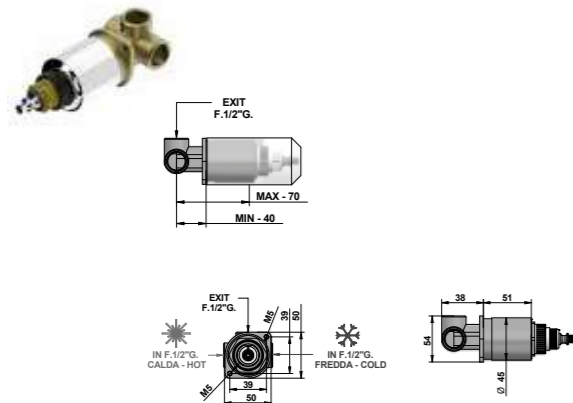
09712CR00

CR

Per art. / For item: **32549 - 52549 - 68549 - 67549 - 43549**

9737

Corpo incasso Built-in bod



ARTICOLO COMPLETO / COMPLETE ITEM

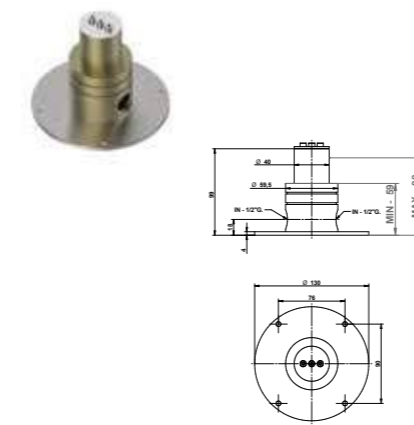
09737CR00

CR

Per art. / For item: **32544 - 43544 - 63544 - 64544 - 68544 - 52544 - 67544 - 43444**

9743

Corpo incasso Built-in body



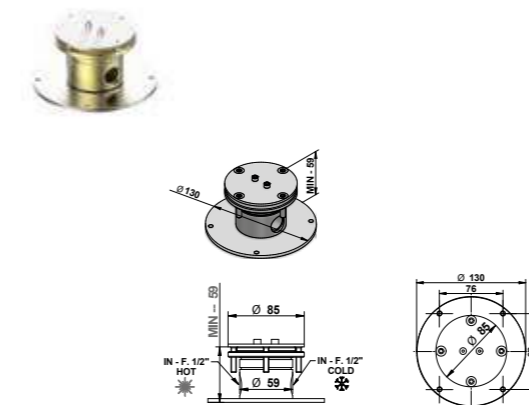
ARTICOLO COMPLETO / COMPLETE ITEM

097430000

Per art. / For item: **41533**

9744

Corpo incasso Built-in body



ARTICOLO COMPLETO / COMPLETE ITEM

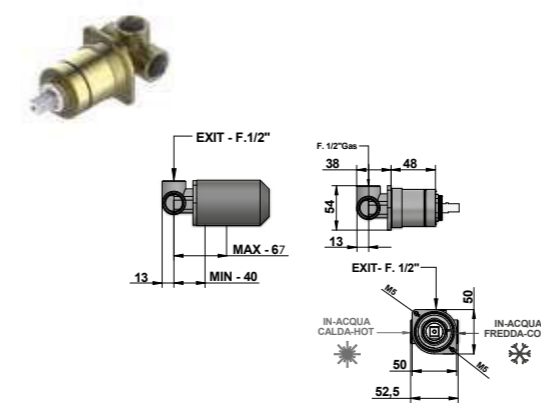
097440000

Per art. / For item: **01533 - 01534/D - 46533 - 46534/D - 14533 - 14534 - 08533 - 08534/D - 68533 - 68534/D - 67533 - 67534/D - 32533 - 32634 - 53533 - 53534 - 64634**

9761

Corpo incasso Built-in body

Compatibile con tutte le collezioni. / Compatible with all collections.



ARTICOLO COMPLETO / COMPLETE ITEM

097610000

Per art. / For item: **01538 - 01524 - 43538 - 43524 - 46538 - 46524 - 41524 - 38538 - 38524 - 63338 - 63324 - 14524 - 30324 - 42324 - 10538 - 10524 - 30338 - 31338 - 42338 - 08538 - 08524 - 08538 - 64538 - 64524 - 68538 - 68524 - 68738 - 67538 - 67524 - 32524 - 32538 - 52524 - 52538 - 53538 - 53524 - 07538 - 07524 - 80524 - 80538**

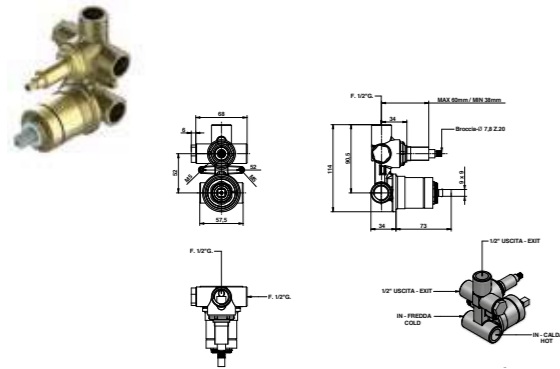
FINITURE E COLORI / FINISHES AND COLOURS



9763

Corpo incasso per miscelatore incasso con deviatore meccanico a 2 uscite
 Built-in body for mixer with 2 exits mechanical diverter

Compatibile con tutte le collezioni. / Compatible with all collections.



ARTICOLO COMPLETO / COMPLETE ITEM

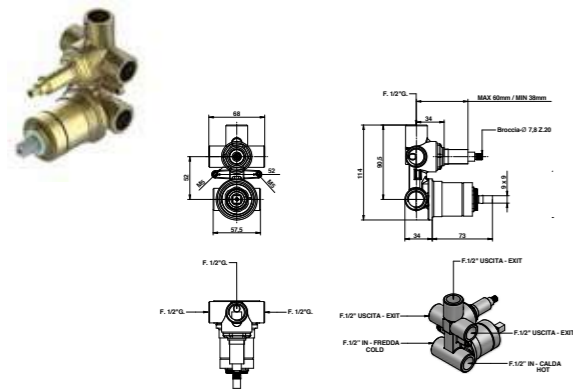
097630000

Per art. / For item: **63319 - 01519 - 14519 - 46519 - 30319 - 42319 - 10519 - 67519 - 08519 - 64519 - 68519 - 32519 - 52519 - 53519 - 07519 - 80519**

9763/3

Corpo incasso per miscelatore con deviatore meccanico a 3 uscite
 Built-in body for mixer with 3 exits mechanical diverter

Compatibile con tutte le collezioni. / Compatible with all collections.



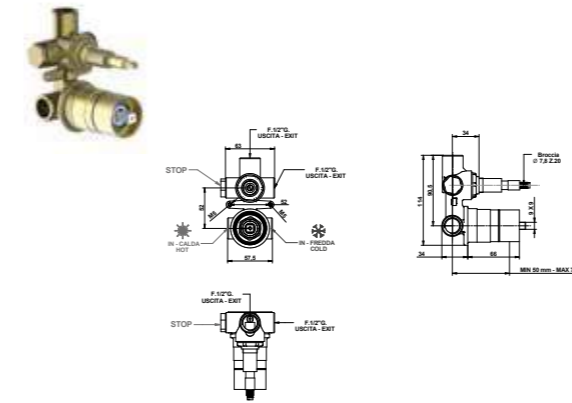
ARTICOLO COMPLETO / COMPLETE ITEM

097630003

Per art. / For item: **63319/3 - 07519/3 - 01519/3 - 14519/3 - 46519/3 - 30319/3 - 32519/3 - 42319/3 - 10519/3 - 08519/3 - 64519/3 - 68519/3 - 67519/3 - 52519/3 - 53519/3 - 80519/3**

09653

Miscelatore incasso con deviatore meccanico a 2 uscite.
 Built-in body for mixer with 2 exits mechanical diverter.



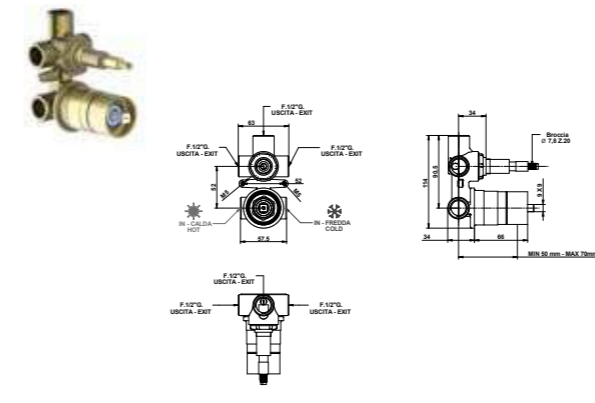
ARTICOLO COMPLETO / COMPLETE ITEM

096530000

Per art. / For item: **82519**

09653/3

Miscelatore incasso con deviatore meccanico a 3 uscite.
 Built-in body for mixer with 3 exits mechanical diverter.



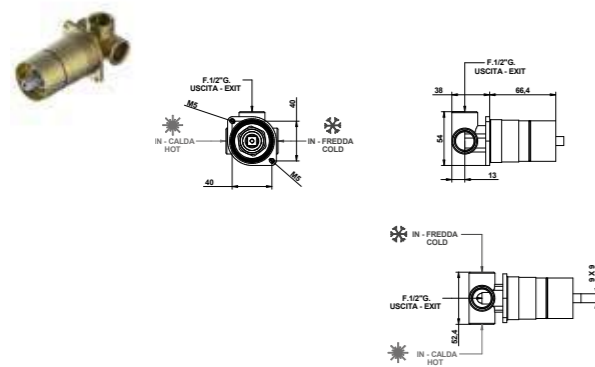
ARTICOLO COMPLETO / COMPLETE ITEM

096530003

Per art. / For item: **82519/3**

09651

Corpo incasso
 Built-in body



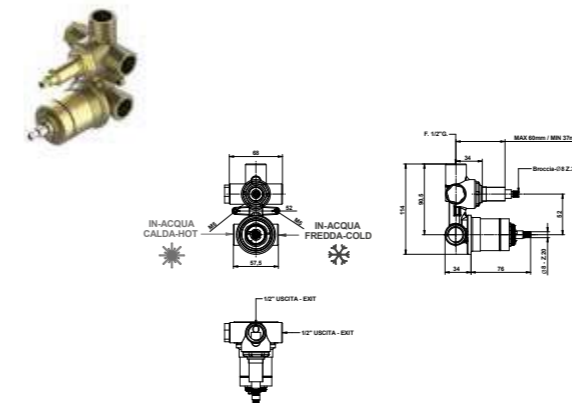
ARTICOLO COMPLETO / COMPLETE ITEM

096510000

Per art. / For item: **82503 - 82538 - 82524**

9764

Corpo incasso per miscelatore incasso progressivo con deviatore meccanico a 2 uscite
 Built-in body for progressive mixer with 2 exits mechanical diverter



ARTICOLO COMPLETO / COMPLETE ITEM

097640000

Per art. / For item: **63519 ACQUACARICA**

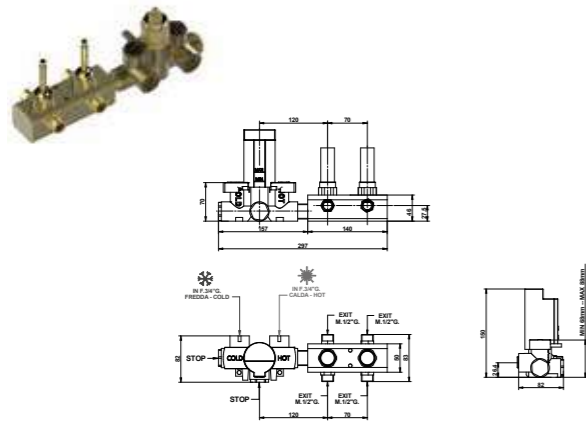
FINITURE E COLORI / FINISHES AND COLOURS



9730/2

Corpo incasso per miscelatore termostatico con 2 rubinetti di apertura e chiusura

Built-in body for thermostatic mixer with open/close taps



ARTICOLO COMPLETO / COMPLETE ITEM

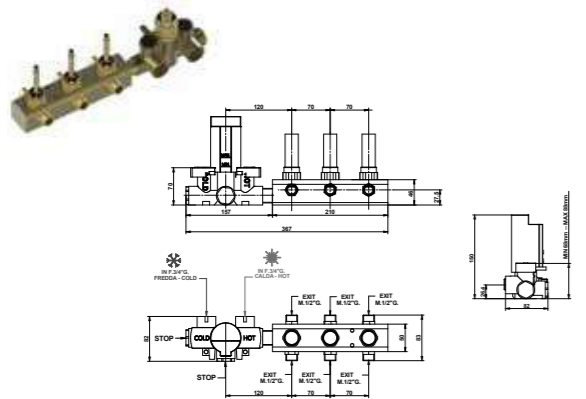
097300002

Per art. / For item: 32542/2 - 43542/2 - 65542/2 - 06542/2 - 66542/2 - 11542/2 - 12542/2 - 04542/2 - 05542/2 - 02542/2

9730/3

Corpo incasso per miscelatore termostatico con 3 rubinetti di apertura e chiusura

Built-in body for thermostatic mixer with open/close taps



ARTICOLO COMPLETO / COMPLETE ITEM

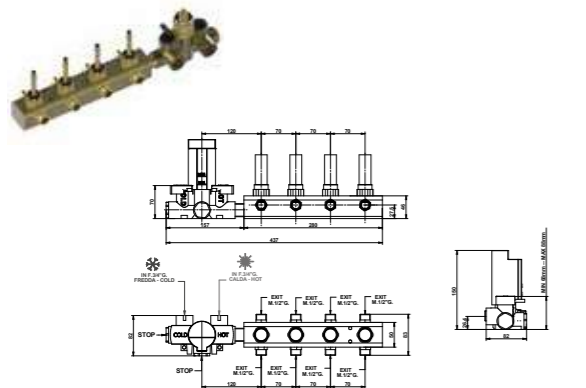
097300003

Per art. / For item: 32542/3 - 43542/3 - 65542/3 - 06542/3 - 66542/3 - 11542/3 - 12542/3 - 04542/3 - 05542/3 - 02542/3

9730/4

Corpo incasso per termostatico con 4 rubinetti di apertura e chiusura

Built-in body for thermostatic mixer with open/close taps



ARTICOLO COMPLETO / COMPLETE ITEM

097300004

Per art. / For item: 32542/4 - 43542/4 - 65542/4 - 066542/4 - 11542/4 - 12542/4 - 04542/4 - 05542/4 - 02542/4

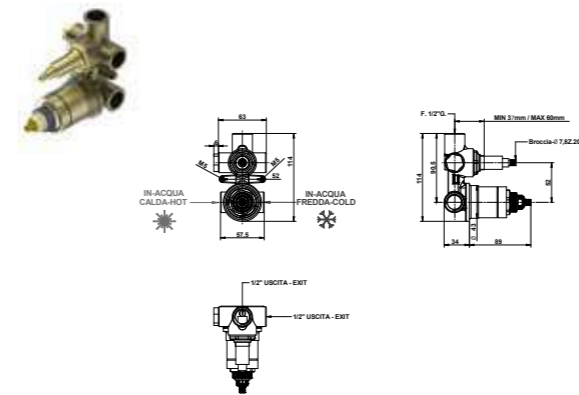
FINITURE E COLORI / FINISHES AND COLOURS



9766

Corpo incasso per miscelatore termostatico con deviatore meccanico a 2 uscite

Built-in body for thermostatic mixer with 2 exits mechanical diverter



ARTICOLO COMPLETO / COMPLETE ITEM

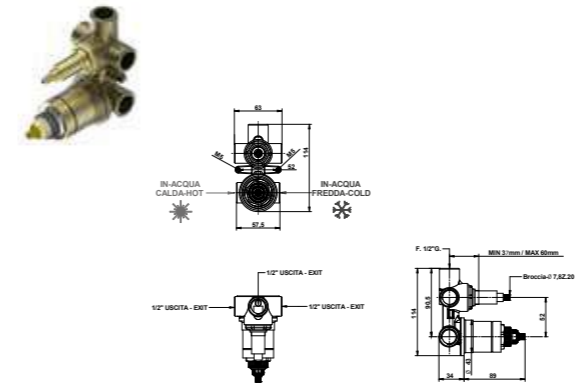
097660000

Per art. / For item: 63569 - 43569 - 64569 - 68569 - 67569 - 32569

9766/3

Corpo incasso per miscelatore termostatico con deviatore meccanico a 3 uscite

Built-in body for thermostatic mixer with 3 exits mechanical diverter



ARTICOLO COMPLETO / COMPLETE ITEM

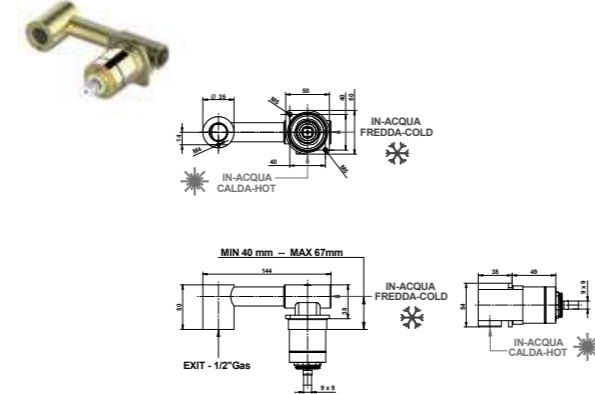
097660003

Per art. / For item: 63569/3 - 43569/3 - 64569/3 - 68569/3 - 67569/3 - 32569/3

9729

Corpo incasso

Built-in body



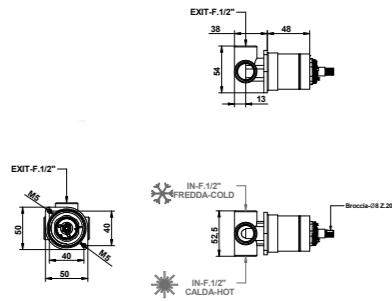
ARTICOLO COMPLETO / COMPLETE ITEM

097290000

Per art. / For item: 46539 - 08539 - 67539 - 67538/2A

9862/PG

Corpo incasso per miscelatore progressivo Built-in body for progressive mixer



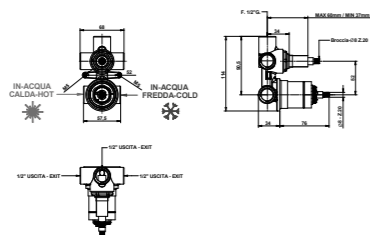
ARTICOLO COMPLETO / COMPLETE ITEM

0986200PG

Per art. / For item: 06524 - 65524 - 11524 - 12524 - 04524 - 05524 - 02524

9764/3

Corpo incasso per miscelatore progressivo con deviatore meccanico a 3 uscite Built-in body for progressive mixer with 3 exits mechanical diverter.



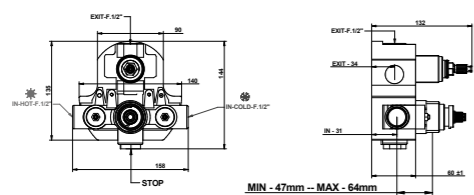
ARTICOLO COMPLETO / COMPLETE ITEM

097640003

Per art. / For item: 63519/3.

9787

Corpo incasso per miscelatore termostatico Built-in body for thermostatic mixer



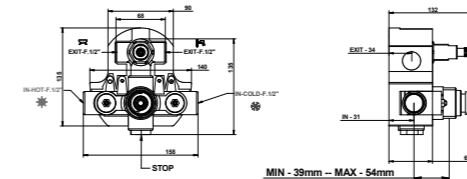
ARTICOLO COMPLETO / COMPLETE ITEM

097870000

Per art. / For item: 30544 - 31544 - 32544 - 65544 - 06544 - 11544 - 12544 - 04544 - 05544 - 02544 - 15544 - 19544 - 22544 - 17544 - 09544

9728

Corpo incasso per miscelatore termostatico con deviatore 2 uscite Built-in body for thermostatic mixer with 2 exits diverter



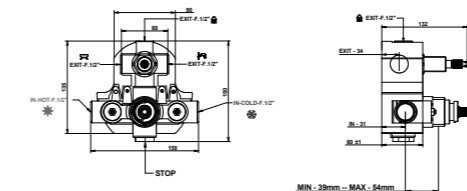
ARTICOLO COMPLETO / COMPLETE ITEM

097280000

Per art. / For item: 30549 - 31548 - 42549 - 65549 - 06549 - 11549 - 12549 - 04549 - 05549 - 02549 - 15549 - 19549 - 22549 - 17549 - 09549

9728/3

Corpo incasso per miscelatore termostatico con deviatore a 3 uscite Built-in body for thermostatic mixer with 3 exits diverter



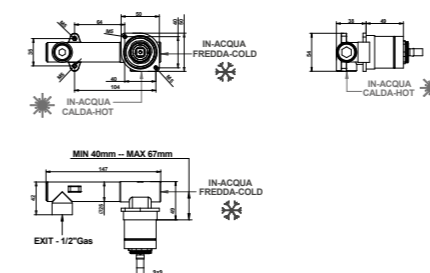
ARTICOLO COMPLETO / COMPLETE ITEM

097280003

Per art. / For item: 30549/3 - 42549/3 - 06549/3 - 65549/3 - 11549/3 - 12549/3 - 04549/3 - 05549/3 - 02549/3 - 15549/3

9690

Corpo incasso Built-in body



ARTICOLO COMPLETO / COMPLETE ITEM

096900000

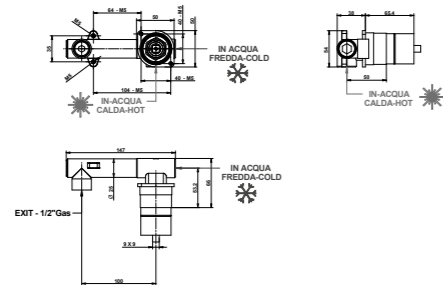
Per art. / For item: 68539/22PR - 32539/PR - 68538/2APR - 32538/2APR

FINITURE E COLORI / FINISHES AND COLOURS



9690/LI

Corpo incasso Built-in body



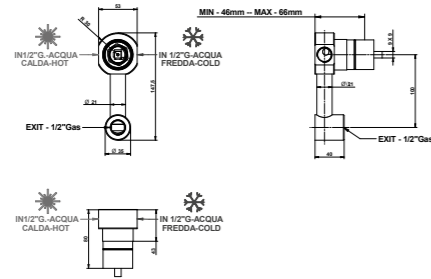
ARTICOLO COMPLETO / COMPLETE ITEM

0969000LI

Per art. / For item: **82539 - 82539/1A**

9690/LV

Corpo incasso Built-in body



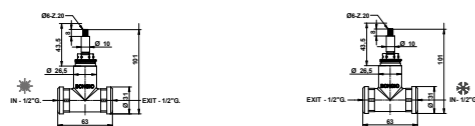
ARTICOLO COMPLETO / COMPLETE ITEM

0969000LV

Per art. / For item: **82540 - 82541**

9768/AC

Corpo incasso Built-in body



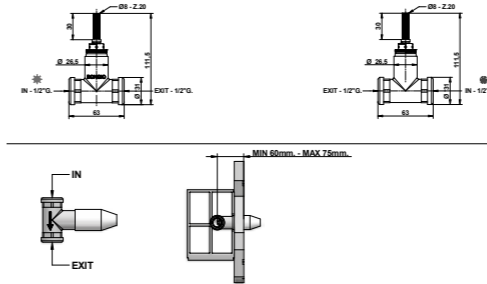
ARTICOLO COMPLETO / COMPLETE ITEM

0976800AC

Per art. / For item: **63540 ACQUACARICA**

9768/BW

Gruppo lavabo tre fori incasso con bocca da 190 mm. Three holes built-in basin mixer with 190 mms. spout.



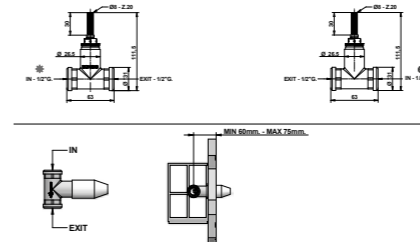
ARTICOLO COMPLETO / COMPLETE ITEM

0976800BW

Per art. / For item: **38540**

9768/DQ

Corpo incasso Built-in body



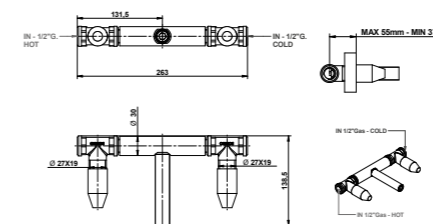
ARTICOLO COMPLETO / COMPLETE ITEM

0976800DQ

Per art. / For item: **43438/DA - 46438/DA**

9767/AT

Corpo incasso Built-in body



ARTICOLO COMPLETO / COMPLETE ITEM

0976700AT

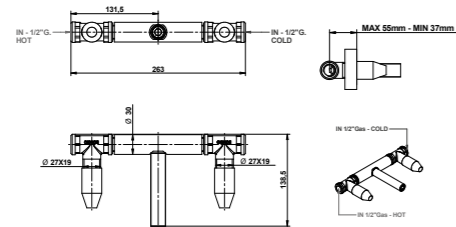
Per art. / For item: **40538/1A - 2A e 40538/1A - 2A/R**

FINITURE E COLORI / FINISHES AND COLOURS



9767/T

Corpo incasso Built-in body

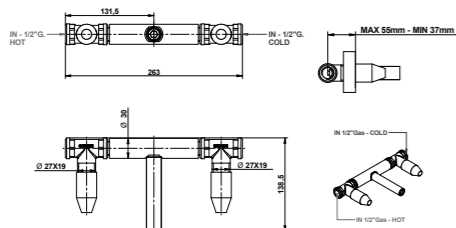


ARTICOLO COMPLETO / COMPLETE ITEM

09767000T
Per art. / For item: **30438/1A - 2A - 42438/1A - 2A.**

9767/TL

Corpo incasso Built-in body

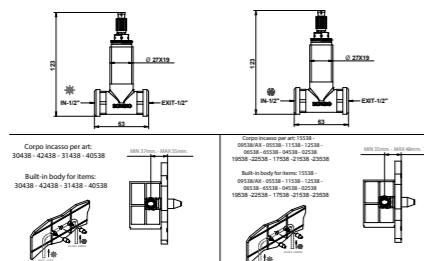


ARTICOLO COMPLETO / COMPLETE ITEM

09767000TL
Per art. / For item: **31438/1A - 2A**

9767

Corpo incasso Built-in body

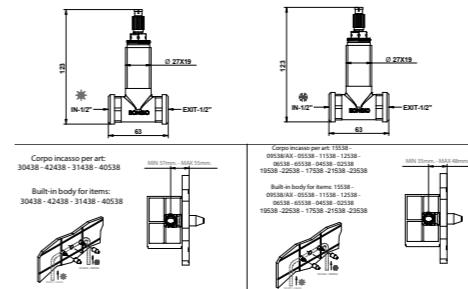


ARTICOLO COMPLETO / COMPLETE ITEM

097670000
Per art. / For item: **30438 - 42438 - 31438 - 15538 - 09538/AX - 05538 - 11538 - 12538 - 06538 - 65538 - 04538 - 02538 - 66538**

9767/AQ

Corpo incasso Built-in body.

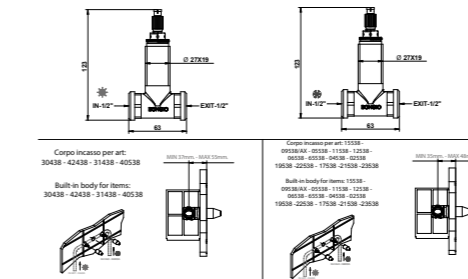


ARTICOLO COMPLETO / COMPLETE ITEM

0976700AQ
Per art. / For item: **40538/R - 40538**

09767/OX

Corpo incasso Built-in body

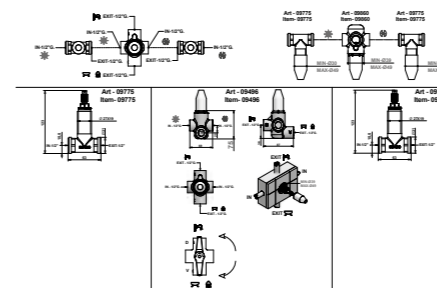


ARTICOLO COMPLETO / COMPLETE ITEM

0976700OX
Per art. / For item: **19538 - 22538 - 17538 - 09538**

9680/AQ

Corpo incasso Built-in body



ARTICOLO COMPLETO / COMPLETE ITEM

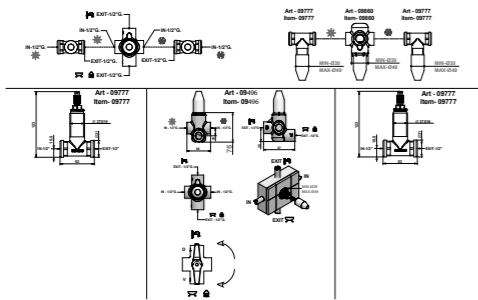
0968000AQ
Per art. / For item: **40530/DR**

FINITURE E COLORI / FINISHES AND COLOURS



9680

Corpo incasso Built-in body



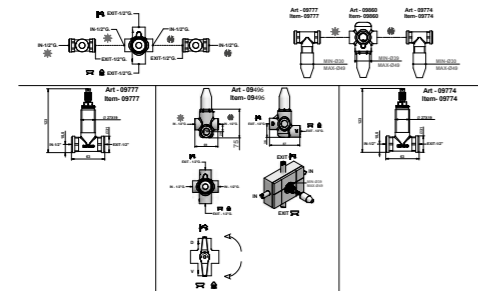
ARTICOLO COMPLETO / COMPLETE ITEM

096800000

Per art. / For item: **30430/D - 42430/D - 06530/D - 65530/D - 11530/D - 12530/D - 05530/D - 04530/D - 02530/D - 15530/D**

9680/TL

Corpo incasso Built-in body



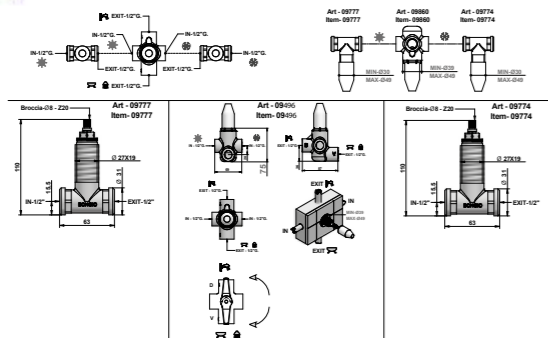
ARTICOLO COMPLETO / COMPLETE ITEM

0968000TL

Per art. / For item: **30430/D - 42430/D - 06530/D - 65530/D - 11530/D - 12530/D - 05530/D - 04530/D - 02530/D - 15530/D**

9680/OX

Corpo incasso Built-in body



ARTICOLO COMPLETO / COMPLETE ITEM

0968000OX

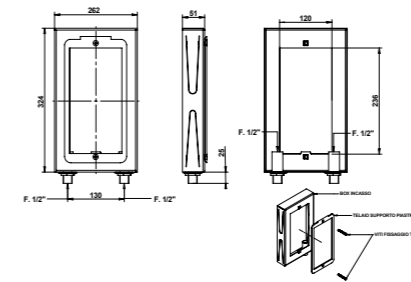
Per art. / For item: **09530/D - 19530/D - 22530/D - 17530/D**

FINITURE E COLORI / FINISHES AND COLOURS



56539/CA

Scatola incasso Built-in box



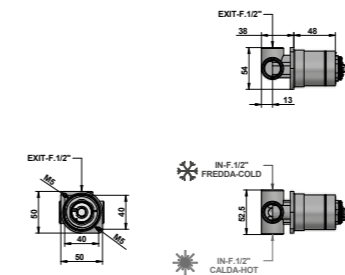
ARTICOLO COMPLETO / COMPLETE ITEM

56539CA00

Per art. / For item: **56539 - 55539**

9762

Corpo incasso per miscelatore progressivo Built-in body for progressive mixer



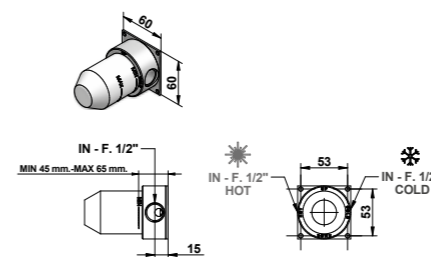
ARTICOLO COMPLETO / COMPLETE ITEM

097620000

Per art. / For item: **63538 - 63524**

9695

Corpo incasso Built-in body



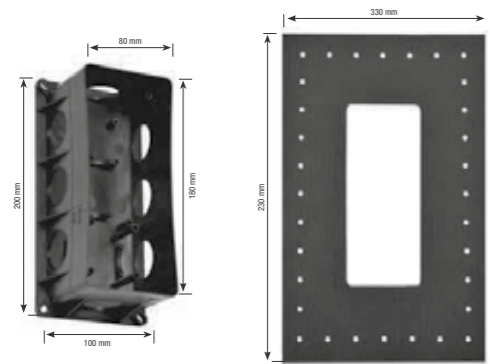
ARTICOLO COMPLETO / COMPLETE ITEM

096950000

Per art. / For item: **63439 - 63339 - 64439 - 68439**

9702PBOX

Scatola incasso per cartongesso Built-in box for dry wall and cavity wall

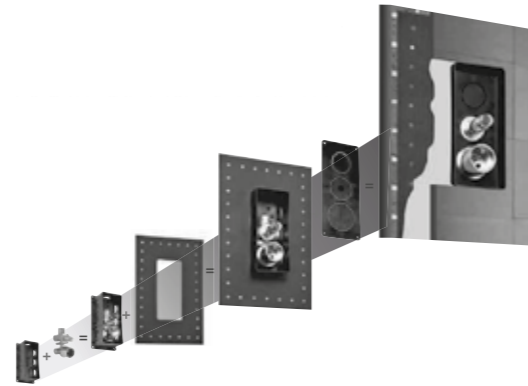


ARTICOLO COMPLETO / COMPLETE ITEM

09702PBOX

La scatola incasso per cartongesso può essere utilizzata con diversi sistemi da incasso: dal lavabo al miscelatore con deviatore a più uscite ed è adattabile, grazie ad un sistema di tappi, ad apparecchiature con diversi interassi, garantendone, in questo modo, la tenuta stagna in caso di possibili perdite. Inoltre la membrana isolante contribuisce ad una migliore impermeabilizzazione dell'impianto. / The built-in-box for drywall can be used with different concealed system: basin, mixer with multiple exits diverter, and thanks to a plug system, it can be adapted to devices with different interaxel spaces, and consequently it can guarantee watertight seal in case of possible leaks in additiong isolating membrane contributes to better waterproof the system.

Per art. / For item: **9761 - 9763 - 9763/3 - 9764 - 9766 - 9766/3 - 9764/3 - 9762**



9777

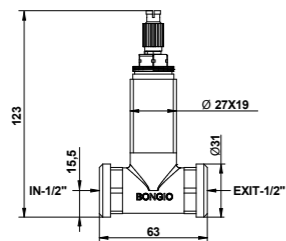
Corpo rubinetto incasso 1/2" con vitone destro. 1/2" built-in tap body with right mechanism.



ARTICOLO COMPLETO / COMPLETE ITEM

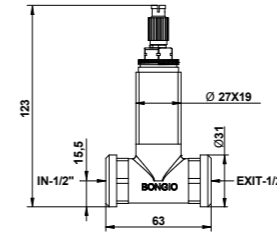
097770000

Per art. / For item: **30400 - 31400 - 42400 - 06500 - 65500 - 66500 - 11500 - 12500 - 04500 - 05500 - 02500 - 15500 - 19500 - 22500 - 17500 - 09500**



9774

Corpo rubinetto incasso 1/2" con vitone sinistro. 1/2" built-in tap body with left mechanism.



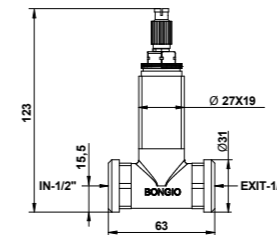
ARTICOLO COMPLETO / COMPLETE ITEM

097740000

Per art. / For item: **31400 - 19500 - 22500 - 17500 - 09500**

9775

Corpo rubinetto incasso 1/2" con vitone destro per AQUA. 1/2" built-in tap body with right mechanism for AQUA.



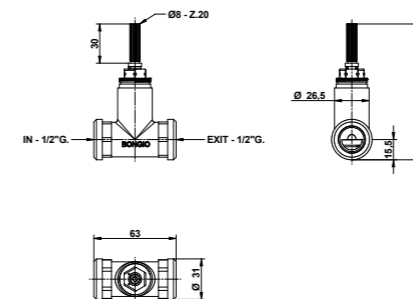
ARTICOLO COMPLETO / COMPLETE ITEM

097750000

Per art. / For item: **40500 - 40500/R**

9778/BW

Copro rubinetto incasso 1/2" con vitone destro. 1/2" Built-in top body with right mechanism.



ARTICOLO COMPLETO / COMPLETE ITEM

0977800BW

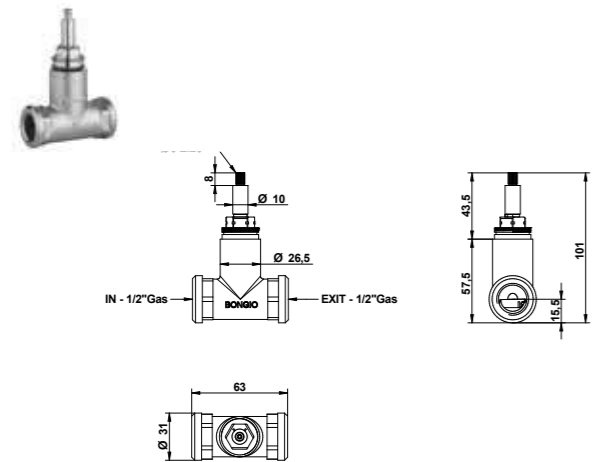
Per art. / For item: **38500 Bowling**

FINITURE E COLORI / FINISHES AND COLOURS



9778

Corpo rubinetto incasso 1/2" con vitone sinistro per ACQUACARICA. 1/2" built-in tap body with left mechanism for ACQUACARICA.

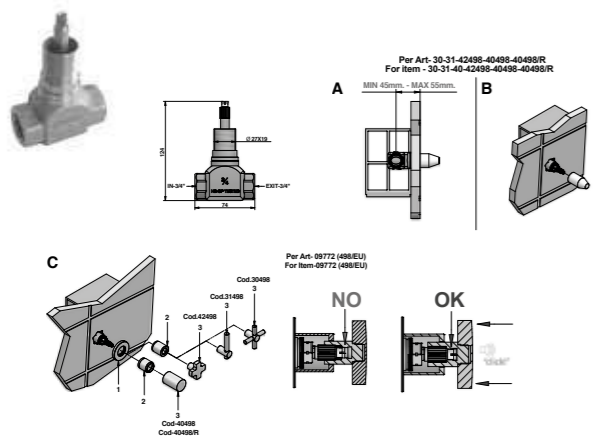


ARTICOLO COMPLETO / COMPLETE ITEM

097780000
Per art. / For item: **63500**

9772

Corpo rubinetto incasso 3/4" con vitone tradizionale. 3/4" built-in tap body with traditional mechanism.

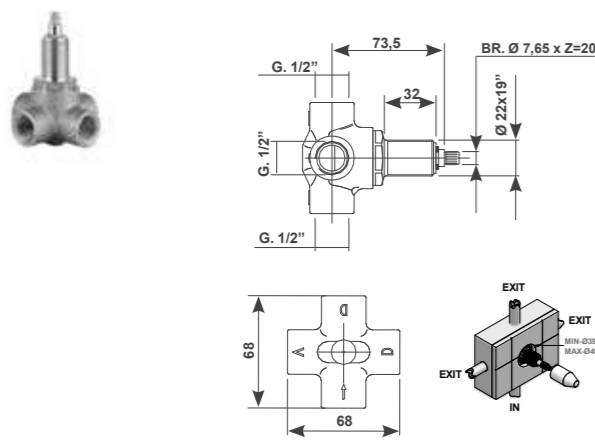


ARTICOLO COMPLETO / COMPLETE ITEM

097720000
Per art. / For item: **40498/R - 40498 - 30498 - 42498 - 06498 - 65498 - 66498 - 11498 - 12498 - 04498 - 05498 - 02498 - 15498 - 19498 - 22498 - 17498 - 09498**

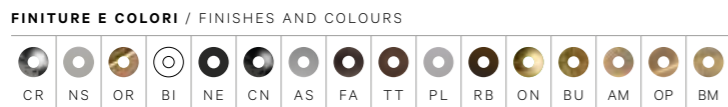
9494

Corpo deviatore a muro con 3 uscite Wall diverter body 3 exits (1 in - 3 out).



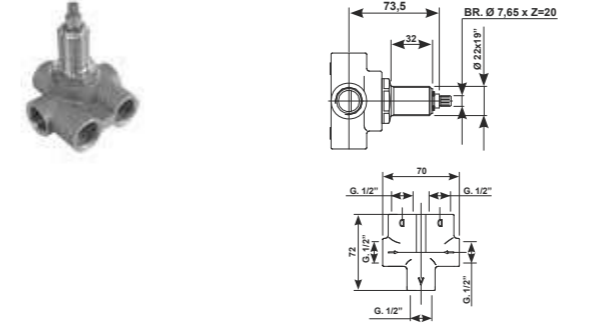
ARTICOLO COMPLETO / COMPLETE ITEM

094940000
Per art. / For item: **38566/3 - 31566/3 - 42566/3 - 63566/3 - 43566/3 - 68566/3 - 67565/3 - 82566/3**



9495

Corpo deviatore a muro 3 uscite (2 entrate 3 uscite). Built-in diverter body with 3 exits (2 in - 3 out).

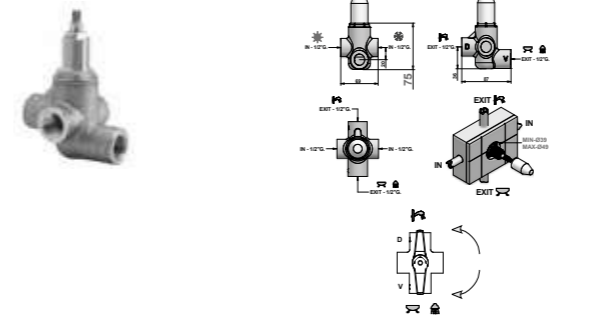


ARTICOLO COMPLETO / COMPLETE ITEM

094950000
Per art. / For item: **40525/5 - 30425/5 - 31425/5 - 42425/5 - 06525/5 - 65525/5 - 66525/5 - 11525/12525/5 - 04525/5 - 05525/5 - 02525/5 - 15525/5 - 19525/5 - 22525/5 - 17525/5 - 09525/5**

9496

Corpo deviatore a muro 2 uscite (2 entrate - 2 uscite). 2 exits built-in diverter body (2 in - 2 out).

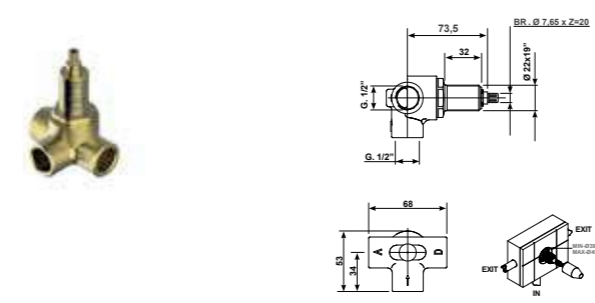


ARTICOLO COMPLETO / COMPLETE ITEM

094960000
Per art. / For item: **40525/R - 30425 - 31425 - 42425 - 66525 - 06525 - 65525 - 11525 - 12525 - 04525 - 05525 - 02525 - 15525 - 19525 - 22525 - 17525 - 09525**

9491/2

Corpo deviatore a muro 2 uscite (1 entrata - 2 uscite). A built-in diverter 2 exits (1 in - 2 out).

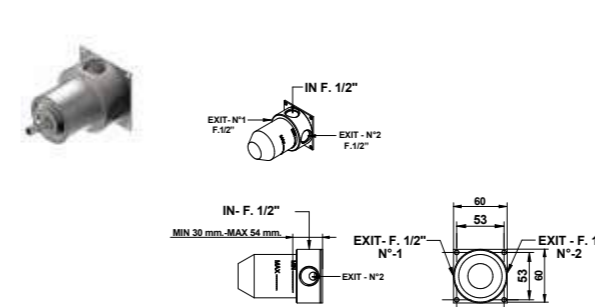


ARTICOLO COMPLETO / COMPLETE ITEM

094910002
Per art. / For item: **38556 - 30556 - 31556 - 42556 - 63556 - 43525/2 - 68525/2 - 67525/2 - 65556 - 06556 - 11556 - 12556 - 04556 - 05556 - 02556 - 82556**

9696 TIME2020

Corpo deviatore incasso in acciaio a muro 2 uscite (1 entrata - 2 uscite). Stainless steel 2 exits built-in diverter (1 in - 2 out).

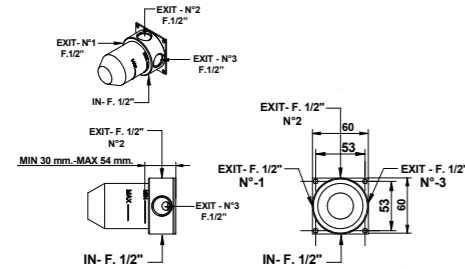


ARTICOLO COMPLETO / COMPLETE ITEM

096960000
Per art. / For item: **70525**

9696/3 TIME2020

Corpo deviatore incasso in acciaio a muro 3 uscite (1 entrata - 3 uscite). Stainless steel 3 exits built-in diverter (1 in - 3 out).



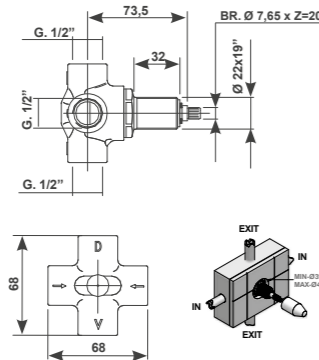
ARTICOLO COMPLETO / COMPLETE ITEM

09696003

Per art. / For item: **70525/3 - 73525/3 - 69525/3**

9489/2

Corpo deviatore a muro 2 uscite (2 entrate - 2 uscite). Built-in diverter 2 way (2 in - 2 out).



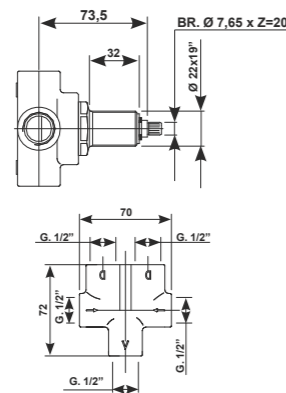
ARTICOLO COMPLETO / COMPLETE ITEM

09489002

Per art. / For item: **38525**

9489/3

Corpo deviatore a muro 3 uscite (2 entrate - 3 uscite). 3 way built-in diverter (2 in - 3 out).



ARTICOLO COMPLETO / COMPLETE ITEM

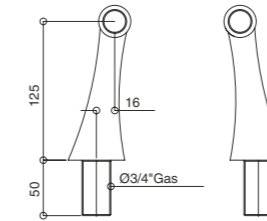
09489003

Per art. / For item: **38525/3**

COLONNETTE PER VASCA / DECK OR FLOOR PILLAR CONNECTION

957

Coppia colonnette bordo vasca Classica per gruppo vasca esterno. Pair of deck pillar connection Classical for external bath and shower mixer.



ARTICOLO COMPLETO / COMPLETE ITEM

00957CR00
CR

00957NS00
NS/NE/BI/ON/BU

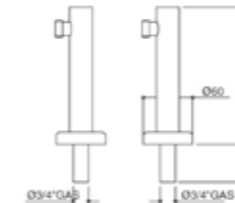
00957OR00
OR/CN/FA

00957XX00 *
XX

* XX: Per tutte le altre finiture fattibili riferirsi a questa fascia di prezzo. / Refer to this line of price for all other realizable finishes.

958

Coppia colonnette bordo vasca Design per gruppo vasca esterno. Pair of deck pillar connection Design for external bath and shower mixer.



ARTICOLO COMPLETO / COMPLETE ITEM

00958CR00
CR

00958NS00
NS

00958OR00
OR

00958XX00 *
XX

* XX: Per tutte le altre finiture fattibili riferirsi a questa fascia di prezzo. / Refer to this line of price for all other realizable finishes.

959

Coppia colonnette a terra Classica per gruppo vasca esterno. Pair of floor pillar connection Classical for external bath and shower mixer.



ARTICOLO COMPLETO / COMPLETE ITEM

00959CR00
CR

00959NS00
NS

00959OR00
OR

00959XX00 *
XX

* XX: Per tutte le altre finiture fattibili riferirsi a questa fascia di prezzo. / Refer to this line of price for all other realizable finishes.

INSERTI PER MANIGLIE / INSERTS FOR HANDLES

84

Inserti plastica per maniglia. Plastic inserts for handles.



ARTICOLO COMPLETO / COMPLETE ITEM

000840000

Per collezione / For collection: **T Cross - T Lever - Alcor - Aqua**

FINITURE E COLORI / FINISHES AND COLOURS

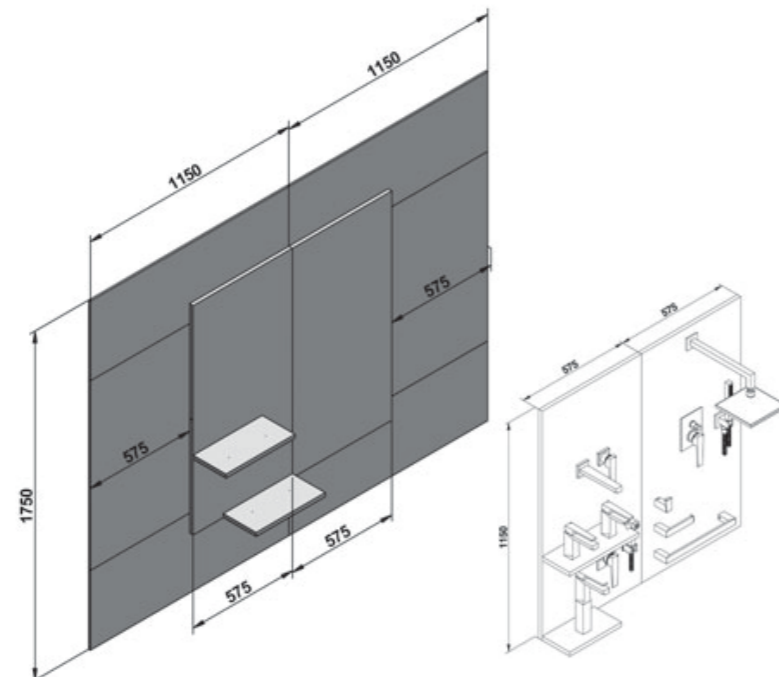


ESPOSITORI SHOWROOM

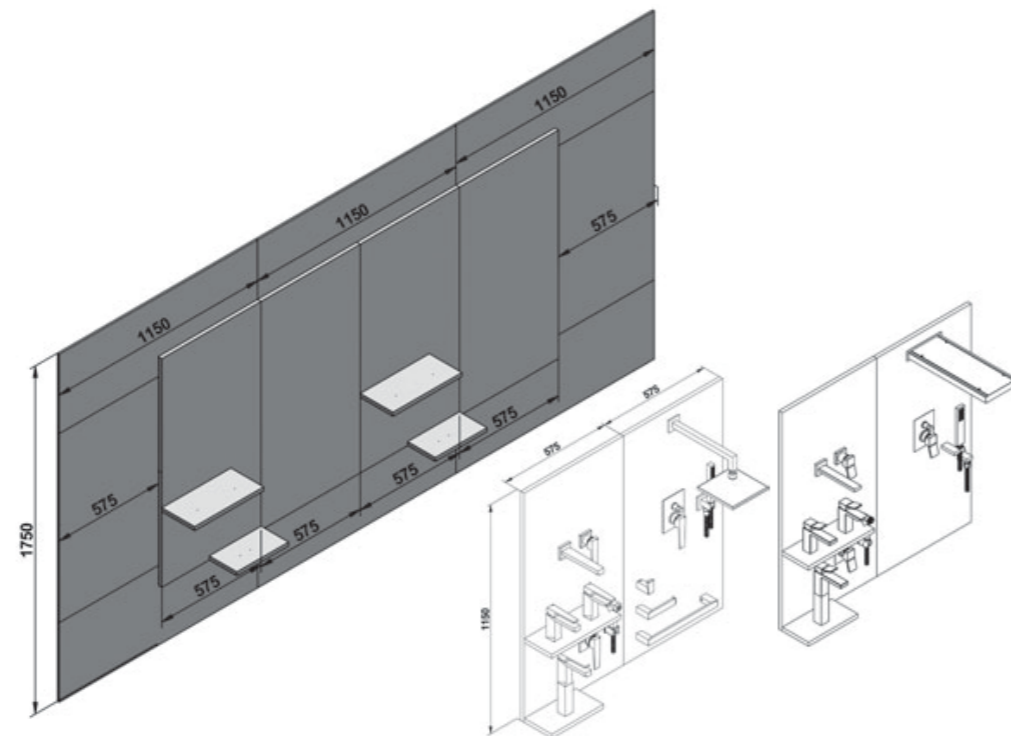
Showroom display

SISTEMA PANNELLI ESPOSITIVI / PANELS SET SYSTEM

Cod. **ESPW2**

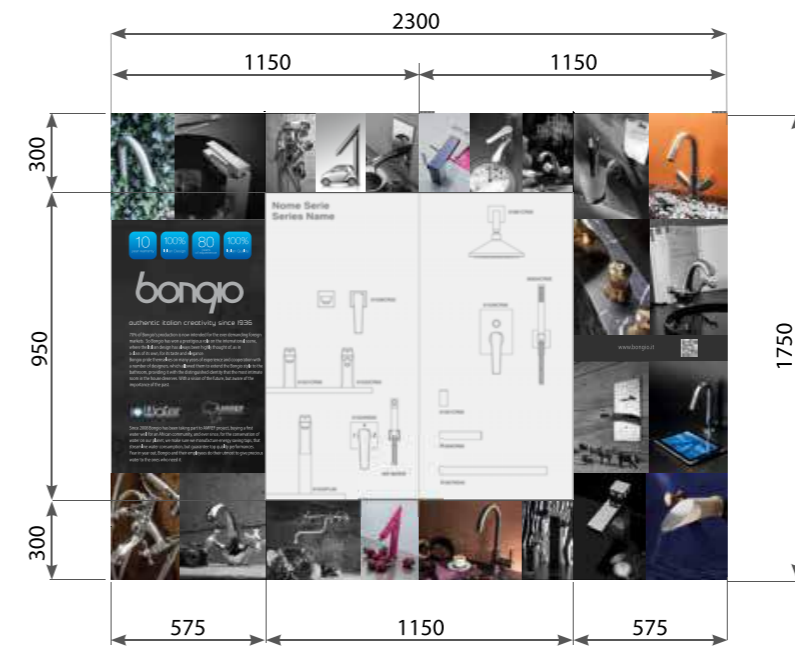


Cod. **ESPW4**



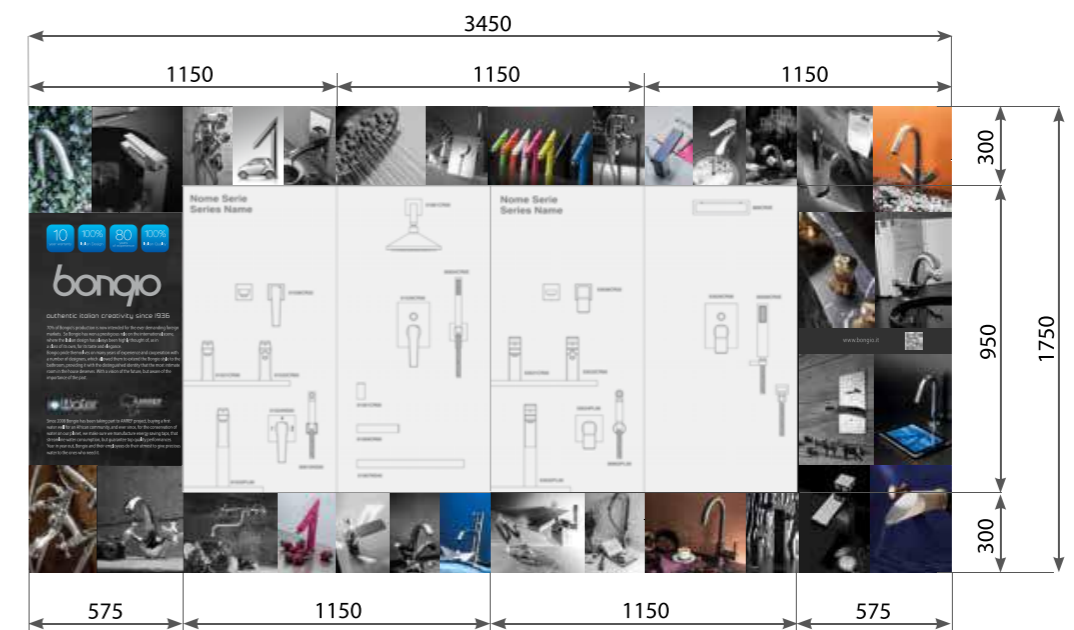
Cod. **ESPW2**

Modulo da 2 pannelli lunghezza totale 2300 mm / 2 Set panel total length 2300 mms



Cod. **ESPW4**

Modulo da 4 pannelli lunghezza totale 3450 mm / 4 Set panel total length 3450 mms



Cod. **ESPW6**

Modulo da 6 pannelli lunghezza totale 4600 mm / 6 Set panel total length 4600 mms

ESPOSITORI SHOWROOM

Showroom display

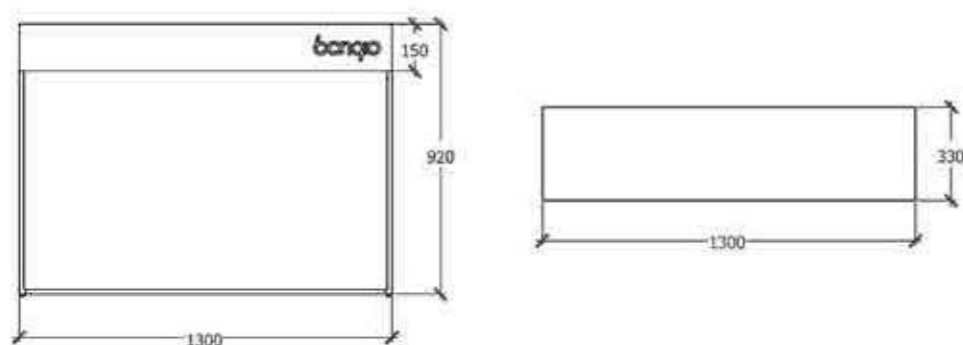
SISTEMA CONSOLLE ESPOSITIVA 130 ° EXHIBITION CONSOLE SYSTEM 130

SOLUZIONE ISOLA / ISLAND SOLUTION

Cod. CONESP



8 prodotti esposti: 5 miscelatori lavabo + 3 gruppi lavabo tre fori.
8 displayed products: 5 basin mixers + 3 three holes basin mixers.



DIMENSIONI ° SIZE

1300 mm lunghezza / length
330 mm profondità / depth
920 mm altezza totale / global high

SOLUZIONE A PARETE - TIPO 1 / WALL SOLUTION ° TYPE 1

Cod. CONESP



5 prodotti esposti: 3 miscelatori lavabo + 2 gruppi lavabo tre fori.
5 displayed products: 3 basin mixers + 2 three holes basin mixers.

SOLUZIONE A PARETE - TIPO 2 / WALL SOLUTION ° TYPE 2

Cod. CONESP



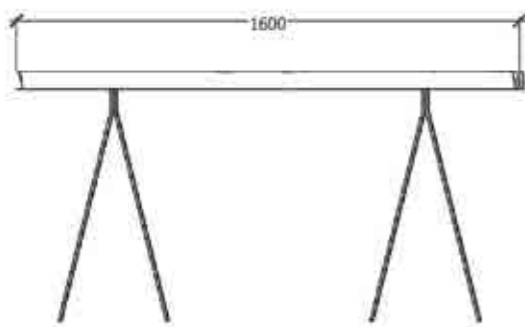
7 prodotti esposti: tutti miscelatori lavabo.
7 displayed products: all basin mixers.

ESPOSITORI SHOWROOM

Showroom display

SISTEMA TAVOLO ESPOSITIVO ~ EXHIBITION TABLE SYSTEM

Cod. TABESP



DIMENSIONI ~ SIZE

1600 mm lunghezza / length
600 mm profondità / depth
800 mm altezza totale / global high

Disponibile su richiesta in base alla disponibilità aziendale.
Available on request based on company availability.



Piano in abete piallato a mano.
Prodotti pre-installati a scelta in base alle esigenze del cliente.
Fir hand-planed top. Pre-installed products chosen following the needs of the retailer.

ESPOSITORI SHOWROOM

Showroom display

TOTEM VERTICALE ~ SOLUZIONE "A" ~ VERTICAL TOTEM ° "A" SOLUTION

Cod. **ESC006**

LATO / SIDE - 1

LATO / SIDE - 2



Mensola / Shelf

01

● 38501FARSBA

02

● 43501ORDABA

03

● 63321NENEBA

● 01521NMBA

● 40521CNKABA

04

● 43521CRDABA

● 70532ASBA

● 42321BUBA

Mensola / Shelf

01

● 68521BMPRBA

● 68521AMPRBA

● 68521TTPRBA

02

● 68521NSPRBA

● 68521OPPRBA

● 68521IMPRBA

03

● 80720CRPRBA

● 80720CMPRBA

● 80720HMPRBA

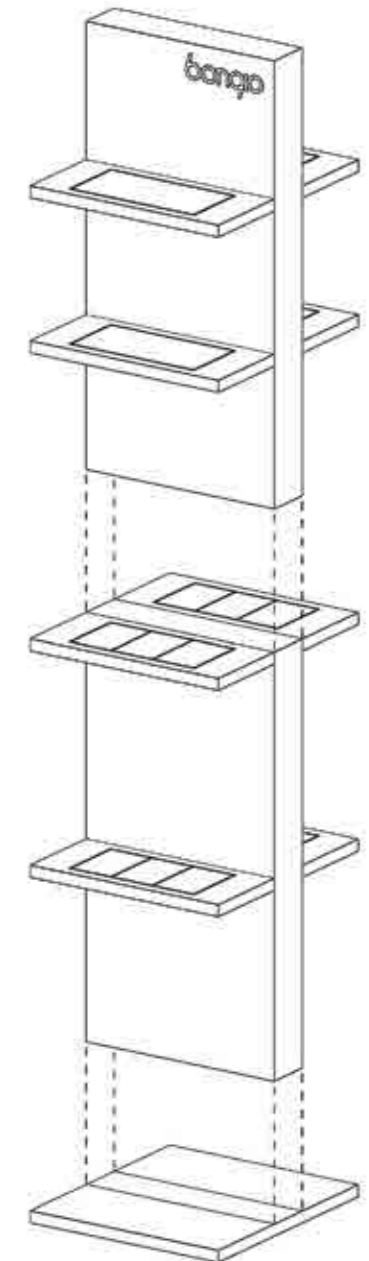
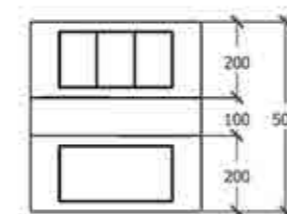
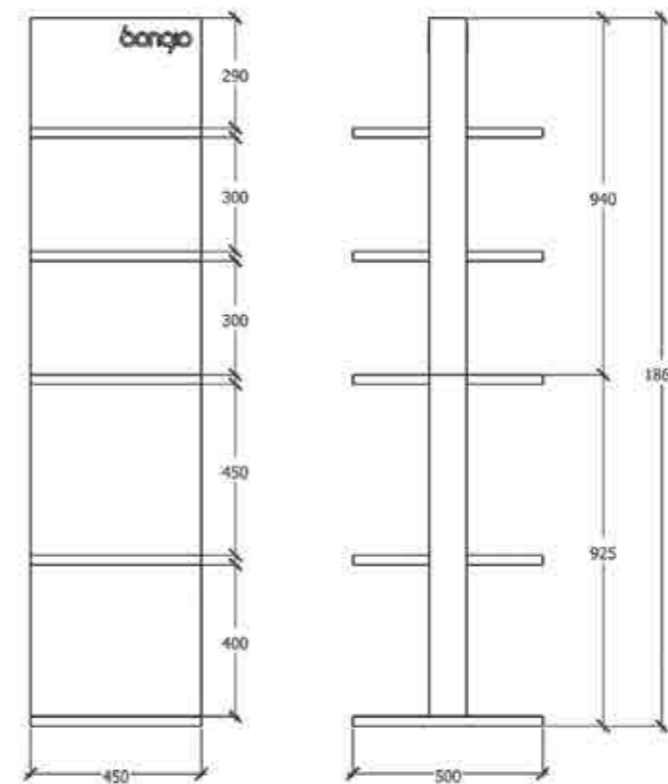
04

● 14521CRPRBA

● 08521CRPRBA

● 64521CRRSPRBA

SISTEMA COMPONENTE / MODULAR SYSTEM



DIMENSIONI ~ SIZE

450 mm larghezza / width
500 mm profondità / depth
1865 mm altezza totale / global high

ESPOSITORI SHOWROOM

Showroom display

TOTEM VERTICALE ~ SOLUZIONE "B" ~ VERTICAL TOTEM ° "B" SOLUTION

Cod. **ESC008**

LATO / SIDE - 1

LATO / SIDE - 2



Mensola / Shelf

01

- 68521TTPRBA
- 67521NSPRBA
- 80521HMPRBA

02

- 14521CRPRBA
- 08521CRPRBA
- 64521CRRSPRBA

03

- 01521NMBA
- 40521CNKABA
- 63321NENEBA

04*

- 38501FARSBA

Parete / Wall

- 73540ASBA
- 73539ASOSBA
- 69539ASBA
- 70538ASOMBA

Mensola / Shelf

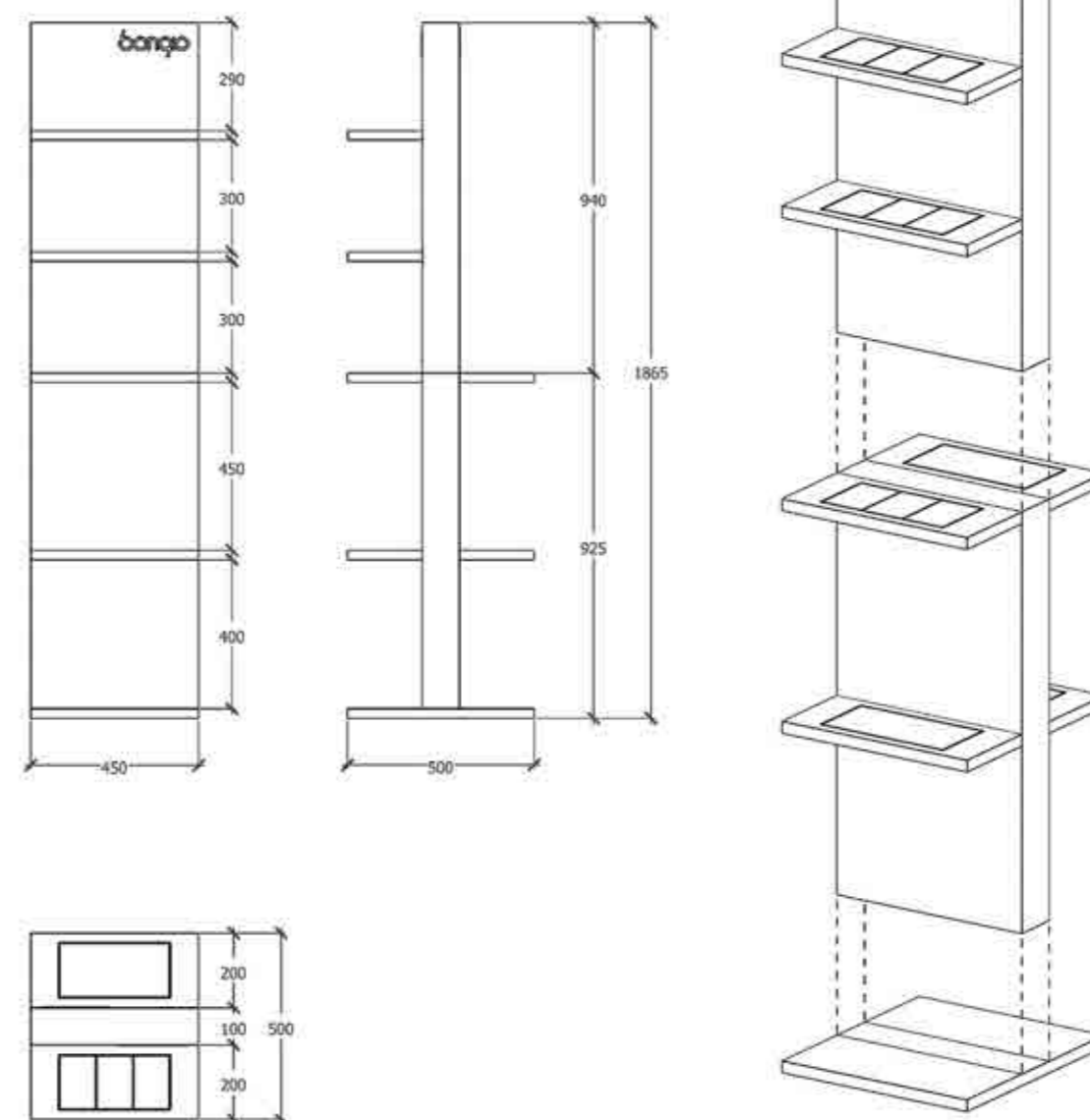
01

- 73501ASBA

02

- 70532ASBA
- 73521ASBA
- 71521ASBA

SISTEMA COMPONENTE / MODULAR SYSTEM



DIMENSIONI ~ SIZE

450 mm larghezza / width
500 mm profondità / depth
1865 mm altezza totale / global high

***PRODOTTI ALTERNATIVI** ~ ALTERNATIVE PRODUCTS:

Gruppo lavabo tre fori / Three holes basin mixer:
 42501BU00 / 43501OPDA

Miscelatori lavabo / Basin mixers:
 41521BI00 / 42521BU00 / 43521OPDA

PULIZIA E MANUTENZIONE DELLE SUPERFICI

Cleaning and maintenance services for surfaces

Per la pulizia utilizzare esclusivamente detersivi con Ph neutro.

Non utilizzare disinfettanti domestici per la pulizia dei prodotti ceramici, detersivi abrasivi, corrosivi e contenenti alcool, acido cloridrico, acido solforico o acidi in generale.

Non usare mai detersivi spray direttamente sul prodotto ma spruzzare prima su un panno o spugna e risciacquare abbondantemente.

Non usare detersivi in polvere abrasivi che potrebbero rovinare l'aspetto estetico della finitura superficiale.

Non usare sostanze per pulire l'argento.

IN OGNI CASO NON USARE:

- Pagliette, spazzole o dischetti abrasivi realizzati con altri metalli o leghe (es. acciaio comune, alluminio, ottone, ecc.) oppure utensili che abbiano precedentemente lavorato o pulito altri metalli o leghe, che oltre a graffiare la superficie, ne causerebbero la contaminazione, con conseguenti antiestetiche macchie.

- Acido cloridrico (muriatico commerciale) e candeggina. È bene evitare anche il contatto con i vapori di acido cloridrico provenienti, ad esempio, dal lavaggio dei pavimenti con candeggina. In generale sarà opportuno evitare l'utilizzo di detersivi contenenti cloruri, anche nelle zone limitrofe ai prodotti.

Per maggiori informazioni consultare il sito:
www.bongio.com/azienda/pulizia-e-garanzia

To clean use detergents with natural soap only.

Do not use domestic disinfectants to clean ceramics, abrasive detergents, corrosive substances and with alcohol, hydrochloric acid and phosphoric acid or other acids.

Never use cleaning spray directly on the product, but first of all spray on a cloth or sponge.

Do not use abrasive cleaners or powders that could ruin the aesthetic appearance of the surface.

Do not use cleaning silver detergents.

IN ANY CASE DO NOT USE:

scouring pads, brushes or abrasive disks made from other metals and alloys (example mild steel, aluminium, brass, etc.) or utensils that have previously worked or clean other metals or alloys, which will scratch the surface and cause the contamination, causing unsightly stains.

Hydrochloric acid (commercial muriatic) and bleach.

It's also good to avoid contact with fumes from hydrochloric acid, for example, washing the floors with bleach. In general you should avoid direct use of detergents containing chlorides even in adjacent areas.

For more informations visit:

www.bongio.com/en/company/cleaning-and-warranty/



UNI EN ISO 9001

Certificato

Norma: **ISO 9001:2015**

N° certificato: 39 00 0460603

TÜV Rheinland Italia S.r.l. certifica:

Titolare del certificato: **Mario Bongio S.r.l.**

Via A. Moro, 2
28017 San Maurizio d'Opaglio NO
Italia

Campo di applicazione: Progettazione e produzione di rubinetteria sanitaria

Settore IAF: 18

Mediante un audit è stata conseguita la dimostrazione che le prescrizioni della norma ISO 9001:2015 sono soddisfatte.

La data di scadenza per tutte le prossime verifiche è 01.12

Validità: Questo certificato è valido dal 29.12.2019 al 28.12.2022
Prima certificazione 2006

09.01.2020 

TÜV Rheinland Italia S.r.l., Via E. Mattei, 3
I - 20010 Pogliano Milanese (MI)

www.tuvitalia.com


ISO 9001
Member of the Accredited Bodies of the IAF and IAC
Signatory of EA, ILAC and IAC Mutual Recognition Agreements


TÜVRheinland®
 Precisely Right.

CONDIZIONI GENERALI DI VENDITA

Le presenti condizioni generali disciplinano tutti gli attuali e futuri contratti fra le parti, salvo eventuali deroghe concordate per iscritto. Le condizioni generali del compratore non troveranno applicazione nei rapporti futuri tra le parti se non espressamente accettate per iscritto dalla Mario Bongio S.r.l.

1. Applicazione del contratto

L'invio da parte del compratore di un ordine al venditore comporta l'applicazione al contratto di vendita delle presenti condizioni generali. Il venditore si riserva il diritto di accettare o rifiutare l'ordine ricevuto. Le offerte stipulate da agenti, rappresentanti ed ausiliari del commercio del venditore al compratore, non sono impegnative fino a quando non siano confermate dalla sede centrale del venditore stesso.

2. Prezzi

I prezzi indicati nei listini Mario Bongio S.r.l sono in euro e sono da intendersi esclusi di costi di trasporto, assicurazione ed iva. Ai prezzi deve essere applicata l'aliquota in vigore al momento della fatturazione. Il venditore si riserva di modificare i prezzi e/o variare il listino prezzi senza alcun preavviso.

3. Resa della merce

Salvo patto contrario, la fornitura dei prodotti si intende Franco Fabbrica del venditore: trasporto ed assicurazione sono pertanto a carico del compratore ed i rischi relativi al trasporto della fornitura passano al compratore nel momento in cui i prodotti lasciano lo stabilimento del venditore. Nel qual caso il venditore agisce come mandatario del compratore, il trasporto verrà effettuato a rischio del compratore.

4. Termini di consegna

I termini di consegna indicati sulle conferme d'ordine non sono tassativi e, in nessun caso, possono giustificare ritardi nei pagamenti o dare luogo a risarcimento di danni e/o contestazioni. È esclusa qualsiasi responsabilità del venditore per danni derivanti da anticipata, ritardata o mancata consegna, totale o parziale. Il compratore è sempre tenuto a prendere in consegna i prodotti, anche in caso di consegne parziali e quando i prodotti vengano consegnati prima o successivamente alla data di consegna stabilita. Il termine di consegna verrà prorogato di un periodo pari a quello della durata dell'impedimento al verificarsi di cause di forza maggiore. In nessun caso, a causa del verificarsi di tali circostanze, il compratore potrà esigere compensi o indennizzi di qualsiasi natura.

5. Garanzia

Il venditore garantisce la conformità dei prodotti forniti. Con 'termine di conformità dei prodotti' si intende che essi corrispondono per qualità, quantità e tipo a quanto stabilito nel contratto e che sono esenti da vizi che potrebbero renderli non idonei all'uso cui sono destinati. La garanzia è limitata ai soli difetti dei prodotti conseguenti a difetti di progettazione, di produzione, di materiale o di costruzione, riconducibili al venditore, e non si applica nel caso in cui il compratore non abbia effettuato una corretta conservazione/manutenzione dei prodotti e/o li abbia modificati senza il consenso del venditore. Il venditore non risponde dei difetti dovuti all'usura di quelle parti che, per loro natura sono soggette a usura rapida e continua. Per ogni altra precisazione si rimanda al libretto di garanzia generale Mario Bongio S.r.l.

6. Reclami

Il compratore è tenuto a verificare la conformità dei prodotti e l'assenza di vizi entro otto giorni dalla data di ricevimento delle merci. I reclami relativi a non conformità dei prodotti forniti dovranno essere pertanto effettuati, a pena di decadenza, entro e non oltre otto giorni dal ricevimento della merce. Tutti i reclami devono essere inviati al venditore, per iscritto, via mail e devono riportare nel dettaglio i vizi e le non conformità contestate. In caso di reclamo effettuato nei termini e nei modi sopra indicati, la merce dovrà essere tenuta integralmente a disposizione del venditore per i controlli che lo stesso riterrà opportuni.

7. Rimedi

In caso di prodotti non conformi, e dopo aver ricevuto un rapporto dettagliato dal compratore, il venditore potrà, a sua insindacabile scelta: a) fornire gratuitamente Franco Fabbrica al compratore prodotti dello stesso genere e quantità di quelli risultanti difettosi o non conformi a quanto pattuito, dopo averne ottenuto la resa per la verifica. L'eventuale sostituzione effettuata prontamente dal venditore non può essere ritenuta un implicito riconoscimento dei vizi contestati. Qualora il venditore, in sede di verifica, non riconosca viziati i prodotti, provvederà alla

fatturazione di quelli inviati in sostituzione; b) emettere una nota di accredito a favore del compratore per un importo corrispondente al valore dei prodotti difettosi. In entrambi i casi il venditore ha diritto alla restituzione dei prodotti difettosi, che diventano di sua proprietà.

8. Resi

I resi di merce da parte del compratore dovranno sempre comunque essere autorizzati per iscritto dalla nostra sede. I resi preventivamente autorizzati devono giungere al venditore franco magazzino di San Maurizio d'Opaglio in buon ordine e negli imballaggi originali. L'accredito per le merci rese, sarà stilato ad avvenuta presa in carico del nostro magazzino e relativo controllo. Danni ai prodotti ed agli imballaggi saranno dedotti dall'accredito medesimo.

9. Pagamento

I pagamenti ed ogni altra somma dovuta a qualsiasi titolo al venditore, si intendono netti al suo domicilio. I pagamenti dovranno essere effettuati nei termini stabiliti anche in caso di ritardo nella consegna, oppure di perdita totale / parziale della merce non imputabile al venditore. Qualsiasi ritardo o irregolarità nel pagamento, concede al venditore il diritto di sospendere le forniture successive e/o future e di risolvere eventuali contratti in corso, anche non direttamente relativi ai pagamenti in questione, nonché il diritto al risarcimento degli eventuali danni. Il venditore ha altresì il diritto, a decorrere dalla scadenza del pagamento, agli interessi moratori nella misura stabilita in Italia dall'art. 5 del Decreto Legislativo 9 ottobre 2002 n. 231 ed il diritto di escludere la garanzia sul prodotto. Il cliente non ha diritto di effettuare trattenute a compensazione sui pagamenti, anche in caso siano in essere contestazioni e/o ritardare qualsiasi altro pagamento dovuto.

10. Riserva di proprietà

I prodotti consegnati restano di proprietà del venditore sino al momento del completo pagamento del prezzo.

11. Legge applicabile e foro competente

Tutti i contratti disciplinati dalle presenti condizioni generali sono regolati dalla legge italiana. Per ogni controversia relativa o comunque collegata a contratti cui si applicano le presenti condizioni generali è esclusivamente competente il foro del tribunale di Novara.

12. Importo minimo ordini

MERCATO NAZIONALE ITALIA
Per ordini inferiori a € 250,00 viene richiesto un contributo spese amministrative di € 20,00.

Il minimo valore d'ordine per porto franco è € 600,00.

MERCATO UE

Per ordini inferiori a € 250,00 viene richiesto un contributo spese amministrative di € 20,00.

Il minimo valore d'ordine per porto franco è € 800,00.

MERCATO EXTRA-UE

Per ordini inferiori a € 250,00 viene richiesto un contributo spese amministrative di € 40,00.

Eventuali certificati di origine o altri, verranno quantificati a parte. Il minimo valore d'ordine per porto franco è € 1.500,00.

13. Cataloghi cartacei e digitali

Le illustrazioni dei prodotti sono una rappresentazione di ogni articolo, ma non costituiscono impegno di fedele esecuzione. In particolare, l'indicazione delle tonalità di colore/finiture delle fotografie, cataloghi e/o eventuali campioni deve considerarsi puramente indicativa e, quindi, eventuali differenze cromatiche non possono essere denunciate come vizio, in quanto non modificative delle qualità essenziali del prodotto. L'azienda si riserva il diritto di effettuare modifiche sia tecniche che estetiche senza preavviso, come pure procedere alla eliminazione di singoli articoli o di serie complete.

14. Accettazione Condizioni

L'avvenuta esecuzione del contratto con il ritiro della merce da parte del cliente è considerata quale tacita accettazione delle presenti condizioni.

Il presente catalogo annulla e sostituisce i precedenti.

Le informazioni in esso contenute possono subire variazioni senza alcun preavviso.

GENERAL SALE CONDITIONS

These general sale conditions of sale regulate all current and future contracts between the parties, except for any further derogation agreed in writing. Any general conditions of the buyer will not be applied in the future cooperation between the parties, unless expressly accepted in writing by Mario Bongio S.r.l.

1. Application of the Contract

The buyer, placing the order, fully accepts automatically the application of these general terms. The Seller reserves the right to accept or refuse the order of the buyer. Offers made by agents, representatives or auxiliaries of the seller to the buyer, are not binding until they are confirmed directly by the seller itself.

2. Prices

The prices indicated in the Mario Bongio S.r.l price lists are in Euro currency and they do not include shipment costs, VAT or any other tax. The Seller has the right to amend the prices/price list without any prior notice.

3. Delivery of the goods

Unless otherwise agreed in writing, the supply of the products has to be considered ex-factory (ex-works) San Maurizio d'Opaglio uncleared at customs: transport and insurance costs are therefore at buyer account and all the risks relative to the transportation and/or handling of the products are responsibility of the buyer in the moment the products leave the warehouse of the seller. In the case the seller will act as the buyer's agent, transport, insurance costs and all the risks will be again at buyer account.

4. Delivery time of the goods

The delivery time indicated on the order confirmation is not peremptory and it cannot be justification for delays in payments or claims for damages. Any liability of the seller has excluded from any damages coming from anticipated, delayed or non-delivery, total or partial of the goods. The buyer is always required to accept the delivery of the products, even in the case of partial deliveries and when the products have been delivered before the established delivery date or successively to that date. The delivery time will be extended accordingly at the occurrence of causes of force majeure. In any case, due to the occurrence of such circumstances, the buyer may demand any compensation or refund.

5. Guarantee

The seller guarantees the compliance of the products supplied; the term 'compliance of the products' means the products correspond in quality, quantity and type, to what has been agreed in the contract and that they are without defects, that could prevent use for which they are intended to be. The guarantee against defects has limited only to production defects that can be attributed to the seller and it does not apply in the case where the buyer is unable to prove a correct preservation of the product and where he has modified and/or handled them without the agreement of the seller. The seller is not liable for defects due to the wear and tear of those parts which by their nature are subject to a rapid and continuous wear and tear. For any further details relative to the Warranty, please go through the general Mario Bongio S.r.l warranty book.

6. Claims

The purchaser has to control the compliance of the products and the absence of flaws within eight days from receipt of the material. Claims relevant to non-conformities of the goods must be communicated, on pain of forfeiture, within and not later than eight days from receipt of the material at their place of destination. Claims must be sent by written email to the seller and must be well detailed. In case of a claim, regularly effected as specified above, the material should be taken at disposal of the seller for the necessary controls.

7. Resolution of the Claims

In case of faulty products and after receiving a detailed report form the buyer, the seller may, at his discretion:

a) supply the products ex-factory to the buyer – same type and quantity of the defective ones – only after receiving and checking the defective ones. Any replacement carried out promptly by the seller, cannot be considered as implicit recognition of the claimed defects.

After inspection, if the goods result not defective, the seller will invoice the ones sent in replacement;

b) issue a credit-note to the buyer of the same value of the defective products.

In both cases the buyer will return the faulty products to the seller.

8. Returned goods

The buyer should receive a written authorization of the seller before sending back the goods.

The authorized goods will be delivered free our warehouse in San Maurizio d'Opaglio. The credit note for the returned goods will be settled only after reception and inspection of the goods, done by our quality control department. Damages caused to the products or bad and/or not original packaging will be deducted from the credit note.

9. Payments

The payments and every other sum due to the seller, are understood as net at the registered office of the seller. Payments must be settled within the established date, also in case of late delivery or loss of total / partial merchandise is not attributable to the seller. Any delay or irregularity in the payment gives the seller the right to suspend the supply or to cancel the existing contract, even if they are not relevant to the payments in question, as well as the right to balance of eventual damages. The seller has also the right – starting from the payment deadline – to debit the interests for delay as per art. 5 of Italian Legislative Decree no. 231 of 09/10/2002. The delays of payments, likewise, give the seller the right to exclude the guarantee. The customer has no right to balance and/or to deduct any payments, even when they are in dispute.

10. Retention of Title

The delivered products remain seller's property until the moment of the complete payment of the price.

11. Applicable Law and Competent Law-Court

All Contracts ruled by these general conditions are submitted to Italian Law. For any controversy relative to, or connected to the contractual products to which these general conditions apply, Novara court has exclusive competence.

12. Minimum order value

NATIONAL MARKET ITALY

For order value lower than € 250,00, Mario Bongio S.r.l will debit an extra cost of € 20,00 for administrative expenses

The minimum order value required for free destination delivery is € 600,00.

UE MARKET

For order value lower than € 250,00, Mario Bongio S.r.l will debit an extra cost of € 20,00 for administrative expenses. The minimum order value required for free destination delivery is € 800,00.

EXTRAUE MARKET

For order value lower than € 250,00 Mario Bongio S.r.l will debit an extra cost of € 40,00 for administrative expenses.

Certificates of Origin or other extra documents will be debited separately and based on each single request of the buyer. The minimum order value required for free destination delivery is € 1.500,00.

13. Paper or electronic catalogues

The images of the products, they represent each article but must not be considered as perfect reproductions of the real piece. Especially for as concern the colours and/or the finishes represented in the catalogues, price lists, pictures, web site, social media, samples or any other marketing object, they should be considered purely indicative and they cannot be denounced as a flaw, as they do not modify the essential qualities of the product itself. Mario Bongio S.r.l reserve the right to make changes, either aesthetic or techniques, without warning anyone, as well as proceeding with elimination of individual articles or complete series from the production.

14. Acceptance of conditions

The execution of the contract with the acceptance of the goods by the buyer, it will be considered as implicit acceptance of these conditions.

This catalogue deletes and replaces the previous editions.

The details therein contained may change without any prior notice.

L'ACQUA È UN ELEMENTO
CHE ASSUME LA FORMA
DELLA SUA FUNZIONE.
IN BONGIO
NE CONTROLLIAMO LA POTENZA,
NE PRESERVIAMO LA PUREZZA,
NE RISPETTIAMO IL VALORE,
IN TUTTE LE SUE FORME.

*Water can change shape as it adapts to its surroundings.
At Bongio we harness its power, preserve its purity and respect
its intrinsic preciousness, in all its various forms.*



MADE IN ITALY SINCE 1936

Mario Bongio S.r.l.

via Aldo Moro, 2 - C.P. 108
28017 - San Maurizio d'Opaglio
Novara - Italia

T: +39 0322 96 72 48

F: +39 0322 95 00 12

www.bongio.it - info@bongio.it

www.bongio.com - www.bongiocasa.it

Follow us:



PRESENTAZIONE UFFICIALE CATALOGO - MILANO, SALONE DEL MOBILE 2022
CATALOG OFFICIAL PRESENTATION - MILAN, 2022 SALONE DEL MOBILE

CREDITS

Coordinator Marketing Bongio

Design project Exprimo Comunicazione

Print Grafiche Antiga

Copyright ©Bongio 2022

Le illustrazioni dei nostri prodotti non costituiscono impegno di fedele esecuzione.
Our products illustrations are not pledge of faithful execution.





bongio[®]
MADE IN ITALY SINCE 1936

Mario Bongio S.r.l.

via Aldo Moro, 2

28017 - San Maurizio d'Opaglio (NO)

Italia

T: +39 0322 96 72 48

F: +39 0322 95 00 12

info@bongio.it

www.bongio.com